

MESys PelleStore 3TX Instruction Manual



5/7/09



List of materials included in this product:

- 1 MESys PelleStore 3TX Bulk Wood Pellet storage bag
- 1 Slide gate for dispensing spouts
- 1 Hose clamp

Materials not included:

- Pad locks for locking tabs
- Bucket or container to carry pellets from the PelleStore to the pellet stove, furnace or boiler – any simple bucket will do.
- The PelleStore 3TX works best when installed on a circular plywood platform mounted on 10 standard-size (roughly 8x8x16") cement blocks. Materials for making this platform are not included with the PelleStore product, but they are readily available at lumber or home supply stores. This materials are:
 1. 10 cement blocks
 2. 2 sheets of 1/2" plywood

Tools not included:

- Screw driver
- Cutting tool for plywood (if platform is used)

Sections of this manual:

1. Warnings
2. Locking the bag to prevent access by children
3. Installation
4. Ordering Bulk Pellets
5. Pellet Delivery
6. Dispensing Pellets
7. Extras – additional items to enhance the PelleStore usage
8. PelleStore platform material and set-up instructions

1. Warnings

- No potentially air-tight enclosure is safe to occupy. Do not allow anyone inside the bag.
- Open velcro door and allow bag to air out before working with it.
- Do not put your head inside the bag.
- Never allow children to play in, on or around this bag.

2. Locking the bag to prevent access by children

- **If children are present in the home, use locking tabs to secure the door at the top of the PelleStore bag.**
- Use two padlocks to lock the tabs provided on the door to secure the door against entry.
- Failure to lock the PelleStore door shut in the presence of children may result in serious injury, illness or death.

3. Installation

- Do not install the PelleStore bag in direct sunlight. Sunlight can damage the bag's plastic material over time.
- When filled with pellets the PelleStore3TX weighs 3 tons, therefore it must only be installed on a cellar or basement concrete floor or other surface area that is capable of supporting a 3-ton load.
- The bag can be installed directly on a floor in a totally dry environment using 9 concrete blocks to anchor the bag for filling.
- If any moisture is likely to be present, the PelleStore bag should be mounted on a plywood platform held up by 10 concrete blocks. (See the platform setup instructions below.) Materials for making the platform are not included with the product.
- The bag must be located within 60 ft of driveway and easily accessible or a fill kit (purchased separately) must be installed to enable access at a longer distance.
- To install, unfold the bag, open door at the top of the bag and lay out bag in desired orientation.
- Place the bag on a plywood platform if desired (built separately – see instructions below).
- If the platform is being used, place the bag straps under the platform blocks to hold the bag in place while the bag is being filled by the bulk delivery truck.
- Attach slide gate to desired dispensing outlet using band clamp to hold the slide gate in place.
- Be sure to close the Velcro-attached door at the top of the bag and also close all dispensing outlets before the bulk pellet delivery truck arrives.

4. Ordering Bulk Pellets

- The PelleStore can be filled by Maine Energy Systems or an authorized dealer from delivery trucks operating within our expanding service area. To check on delivery service areas and to order Pellets from Maine Energy Systems (MESys) phone us at (207) 824 6749.
- Your fill-up will be scheduled in conjunction with other fill-ups in your area.
- For more information, go to the PelleStore section of our website at www.MaineEnergySystems.com/PelleStore_3TX.htm

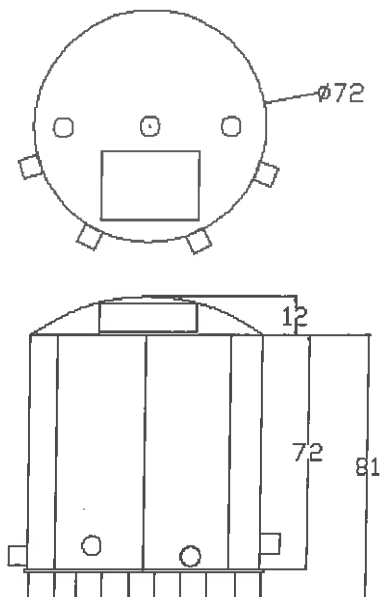
5. Pellet Delivery

- **MESys will phone you to arrange the pellet delivery.**
- **You must be present at your home when a pellet delivery takes place.**
- The MESys bulk delivery truck will arrive at your house and our operator will blow pellets into the PelleStore bag until the bag is full.
- Our delivery truck carefully weighs the delivered pellet volume, and you are charged only for the tonnage of pellets delivered.
- Payment for delivered pellets is COD or preauthorized payment (call or see web site for details).

6. Dispensing Pellets

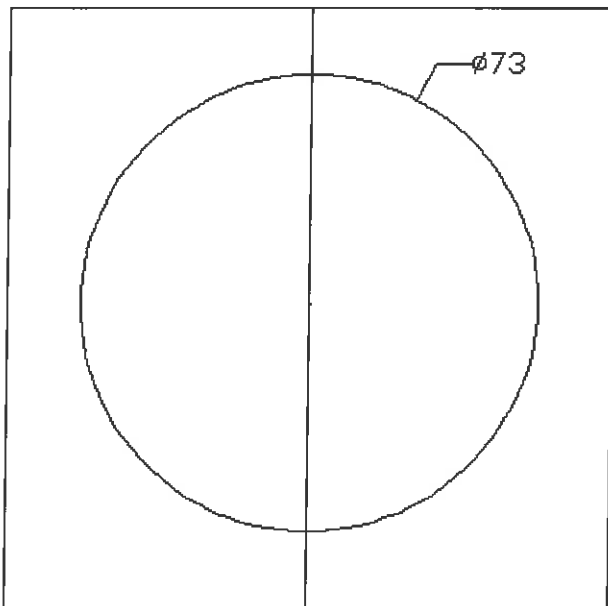
- Open the metal dispensing gate to enable pellets to flow into a bucket
 - Fill buckets from a dispensing outlet until flow stops at that outlet, then you may move the slide gate from one dispensing outlet to another in order to get the best flow as the PelleStore bag empties.
 - Keep all unused dispensing outlets closed using the Velcro straps attached to each outlet.
 - When the bag becomes nearly empty, you may open the door at the top of the PelleStore bag and scoop out remaining pellets.
 - **Never climb into the bag to get to pellets!**
7. **Extras – additional items to enhance the PelleStore usage** - available soon through retailer or on line at MaineEnergySystems.com
- Fill kit couplings and hose to allow for the PelleStore unit to be filled conveniently from outside the building

PelleStore Dimensions (in inches) and fully assembled & filled bag shown below

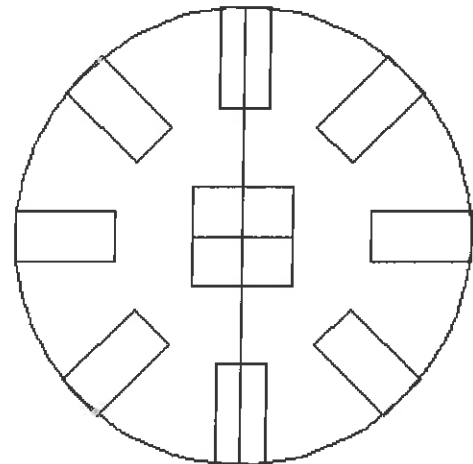


8. PelleStore platform material and set-up instructions

- Buy two sheets of 1/2" thick plywood and ten cinder blocks
- Cut a 6'1" circle, taking half from each sheet
- If needed you can make a compass with some string, a pencil and some tape
 - i) Tie the string to the pencil then measure the string and make a mark at 36.5"
 - ii) Tape the string (at the mark) to the edge of one sheet of plywood
 - iii) Use pencil to draw one half of the circle
 - iv) Repeat with the other sheet of plywood
- Lay out the cinderblocks in the pattern as shown
- Before filling make sure that the straps from the PelleStore Bag are securely tucked underneath the blocks



Draw and **cut** a 6'1" circle out of two sheets of plywood



Lay out blocks in this pattern



Side view of platform