

Contact person RISE
Henrik Persson
Division Built Environment
+46 10 516 55 21
henrik.persson@ri.se

Date
2020-02-18
Rev. 2024-04-19

Reference
9P07425-1B revised 3
Page
1 (5)

Maine Energy Systems
8 Airport Road
P.O. Box 547
BETHEL, MAINE 04217 04217
USA

Testing of a pellet boiler Pellematic 56, non-CBI report

(18 appendices)

This test report is a revised version of the report dated 2020-02-18 and revised 2021-03-17 and 2021-09-02. The revision from 17/03/21 refers to a change of the software in the boiler Pellematic 56 which allows the boiler to operate at a lower heat output (less than 15 %). The test data contains a test at category I using the new software (see email conversation with EPA in appendix 12). The change of the software was performed according to the technician notes in appendix 7 and no other modification was done to the boiler. This revised test report replaces the test report dated 2020-02-18 and revised 2021-03-17 and revised 2021-09-02.

The following parts in this test report are revised:

<i>Stack pressure (P_s) correction for negative pressure</i>	<i>Appendix 2, table 3</i>
<i>Burn rate calculations (kg/hr) and lowest burn rate</i>	<i>Appendix 7 (appendix 2 table 3)</i>
<i>Discussion of run appropriateness, validity and anomalies</i>	<i>Appendix 7</i>
<i>Feed rate settings</i>	<i>Appendix 7</i>
<i>Supplements of calibrations and translation</i>	<i>Appendix 11</i>
<i>Manufacturer's instruction to lab</i>	<i>Appendix 12</i>
<i>Operating manual-warranty rights</i>	<i>Appendix 18</i>
<i>Installation manual-replacement parts</i>	<i>Appendix 18</i>

The instructions of the manual was followed when operating the boiler.

The assignment

Testing the wood pellet fired hydronic heater, model Pellematic 56 in accordance with test method ASTM 2618-13, CSA B415.1-10 and ASTM 2515-11 for compliance with EPA 40 CFR Part 60, March 16, 2015.

Item for testing

The item tested was a hydronic heater– type Pellematic 56 with serial nr.: XUTO1478, year of production 2019 and manufactured by Maine Energy Systems, USA. The hydronic heater arrived at RISE on 21st November 2019 and arrived 25th January 2021 for the retest of category I. The hydronic heater had been pre-conditioned and was therefore in used condition.

RISE Research Institutes of Sweden AB

Postal address	Office location	Phone / Fax / E-mail
Box 857 501 15 BORÅS SWEDEN	Industrigatan 4 504 62 Borås SWEDEN	+46 10-516 50 00 +46 33-13 55 02 info@ri.se

This report may not be reproduced other than in full, except with the prior written approval of the issuing laboratory.



Accred. No. 1002
Testing
ISO/IEC 17025

The performance tests were conducted **9th to 12th of December 2019 and 21th January 2020. The retest at Category I was performed 4th March 2021.**

This test report relates only to the actual item tested.

Technical description

Pellets are charged either manually or via the suction system from the storage location into the hopper and from there via the backfire safety device to the drop stage. The burner auger transports the pellets to the burner plate where the heater rod heats them until they ignite. The ignition is monitored on the basis of the combustion chamber temperature and switches off once the pellets have ignited. The fuel and combustion air volume are automatically controlled by the combustion temperature and modulation level and the vacuum in the combustion chamber is controlled by means of the flue gas fan and burner fan. The heat exchanger is cleaned automatically with the cyclically activated cleaning spring in the heat exchanger. The ash is collected underneath the burner plate, and is transported by the ash auger into the ash bin.

The wood pellet fired hydronic heater Pellematic 56 is intended for indoor installation.

Informative material supplied

Two manuals were delivered from the manufacturer:

- *Operating manual, Pellet heating with auger delivery or vacuum suction system for the end user. PES 20, 32, 56. MESys V1.1 Version valid from 08/2023*
- *Installation manual – Pellet heating with vacuum suction system type AutoPellet PES - 56 MESys V1.1, Version valid from 09/2021*

Test arrangement

The hydronic heater was connected to the test rig according to method ASTM E2618-13. The chimney was connected to a dilution tunnel (see appendix 11).

The chimney diameter was 150 mm (5.9 in.), with a height of about 5 m (197 in.) above the upper surface of the scale. The dilution tunnel diameter was 160 mm (6.3 in.).

The manufacturer conducted a pre-test burning of *more than 50* hours to condition the unit before testing (see appendix 17). The wood pellet hydronic heater Pellematic 56 is a non-catalytic appliance.

Test procedure

Testing was carried out at/by RISE Department for Energy and Resources during December 2019 to January 2020 and retested at category I during March 2021 in accordance with EPA regulations 40 CFR Part 60 subpart QQQQ and email conversation with EPA (see appendix 12). Testing was performed according to ASTM 2618-13 and ASTM 2515-11.

The particulate matter from the probe assembly was handled according to the alternative method 126 dated March 6 2018 (broadly applicable) by rinsing the probe and probe assembly with acetone, drying down the rinse in beakers, desiccation followed by weighing (see appendix 10).

Calculation of the average overall thermal efficiency (η_{SLM}) was done in accordance with Canadian standard CSA B415.1-10, clause 13.7 except for 13.7.2 (e), (f), (g), and (h) where the following average fuel properties for oak were used: C = 50.0 %, H = 6.6 %, O = 43.2 %, Ash = 0.2 %. The higher heating value (HHV) 8600 Btu/lb (19.99 MJ/kg) and the lower heating value (LHV) 7988 Btu/lb (18.567 MJ/kg) were used when calculating the efficiencies.

CO, CO₂ and O₂ emissions were measured continuously in the chimney during the test period. Emissions of CO in g/min were calculated according to the Canadian standard CSA B415.1-10 clause 13.9 (using the spreadsheet in annex F, CSA B415.1-10).

The test fuel used was manufactured by Turmberger Pelletsproduktion GmbH and is classified as EN plus pellet and A1 according to ISO 17225-2. The fuel was delivered in 15 kg plastic bags. The same fuel was used in the retest of category I.

Leakage checks of the particulate sampling trains were carried out before and after the tests (see appendix 4).

Instead of the thermopile on the load side of the heat exchanger one pair of PT-100 sensors were used to measure the temperatures. This was communicated with EPA by email (17/05/2016) and was approved. The PT-100 sensor has a higher accuracy and a higher sensitivity compared to the thermocouple.

The appliance was in operation at the specified draw rate two hours before the test started. The test period lasted for 4 hours at each heat output rate category according to method E2618-13 clause 12.3.3.

The instructions of the manual was followed when operating the boiler.

Representatives from the companies Maine Energy Systems, USA and Ökofen, Austria were present as observers during the tests. For the category I retest only the representative from Ökofen, Austria was present.

Summary of test results (Hangtag information)

Table 1 show a summary of the test results and a hangtag information for the hydronic heater Pellematic 56. For complete results see appendix 2.

Table 1. Additional (Hangtag) information.

MANUFACTURER:	Maine Energy Systems 8 Airport Road P.O. Box 547 BETHEL, MAINE 04217 04217 USA		
MODEL NUMBER:	Pellematic 56		
8-HOUR OUTPUT RATING	Q _{out-8hr}	N.A	Btu/hr
8-HOUR AVERAGE EFFICINCY	η _{avg-8hr}	N.A	(Using higher heating value)
		N.A	(Using lower heating value)
MAXIMUM OUTPUT RATING	Q _{max}	191,000	BTU/HR
ANNUAL EFFICIENCY RATING:	η _{avg}	81.9 (86.3)¹	(Using higher heating value)

		88.1 (92.8)¹	(Using lower heating value)
PARTICLE EMISSIONS:	E _{avg}	0.952 (0.904)¹	Grams/hr (Average)
		0.060 (0.045)¹	lbs/mmBtu Output
CO EMISSIONS	CO _{avg}	0.052 (0.027)¹	Grams/minute

N.A = Not Applicable because the hydronic heater is an automatic pellet fuelled appliance.

¹ Results within brackets are the old data from test report dated 18/02/20 and revised 15/05/20.

Comments and observations

The wood pellet hydronic heater Pellematic 56 manufactured by Maine Energy Systems, USA meets the step 2 requirement 2020 for PM emissions in EPA 40 CFR Part 60 of 0.10 lb/mmBtu heat output (average) and at each individual test rate.

A fault occurred with the boiler when performing test run 1 in category IV (test date 19/12/10). The boiler was restarted and then operated until the end of the test (see figure 2a in appendix 2). Because of the fault the test was repeated and a second test run was performed in category IV, dated 21/01/2020. The failed test in category IV is documented in table 4 appendix 2 and it has not been used in the calculated results in table 5 to 9. The failed test has also been communicated to EPA (see appendix 12).

The dip in test category III, which can be seen in the graph 2c in appendix 2, can be explained by the fact that sometime there is a void in the fuel feed. The auger will keep on running and will regain solid fuel which can give a dip in the output.

The model Pellematic 56 is safety tested by OMNI –Test Laboratories, Inc (report no. 0444PB0095).

The tested model has a rated output of 191,000 Btu/hr (56 kW).

This test report shall not be reproduced except in full, without the written approval of the test laboratory.

Quality assurance

RISE Research Institute of Sweden AB is accredited according to ISO/IEC 17025 as well as accredited by EPA as a test lab to perform tests according to EPA 40 CFR Part 60 subpart QQQQ.

RISE Research Institutes of Sweden AB
Department Infrastructure - Development

Performed by

Examined by



Henrik Persson



Mathias Johansson

Appendices

Appendix 1 Identification

Appendix 2 Results

Appendix 3 Dilution tunnel traverse measurements

Appendix 4 Sampling equipment leakage check

Appendix 5 Proportional rate variation

Appendix 6 Filter, gasket and rinse weights

Appendix 7 Technician notes including pre-burn information

Appendix 8 Instrument and uncertainties

Appendix 9 Test setup

Appendix 10 Alternative methods

*Appendix 11 Calibrations**Appendix 12 Correspondence and manufacturer's instruction to lab*

Appendix 13 Example calculations

Appendix 14 CSA B415.1-10 results

Appendix 15 Fuel analyse

Appendix 16 Conditioning data

Appendix 17 Raw data including pre-burn

Appendix 18 Manuals

Appendix 1

Identification

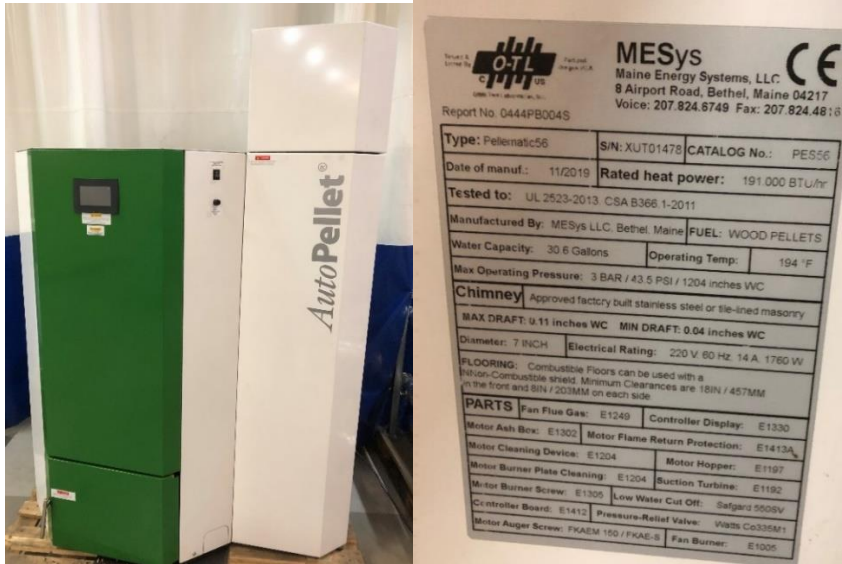


Figure 1a. Pellematic 56

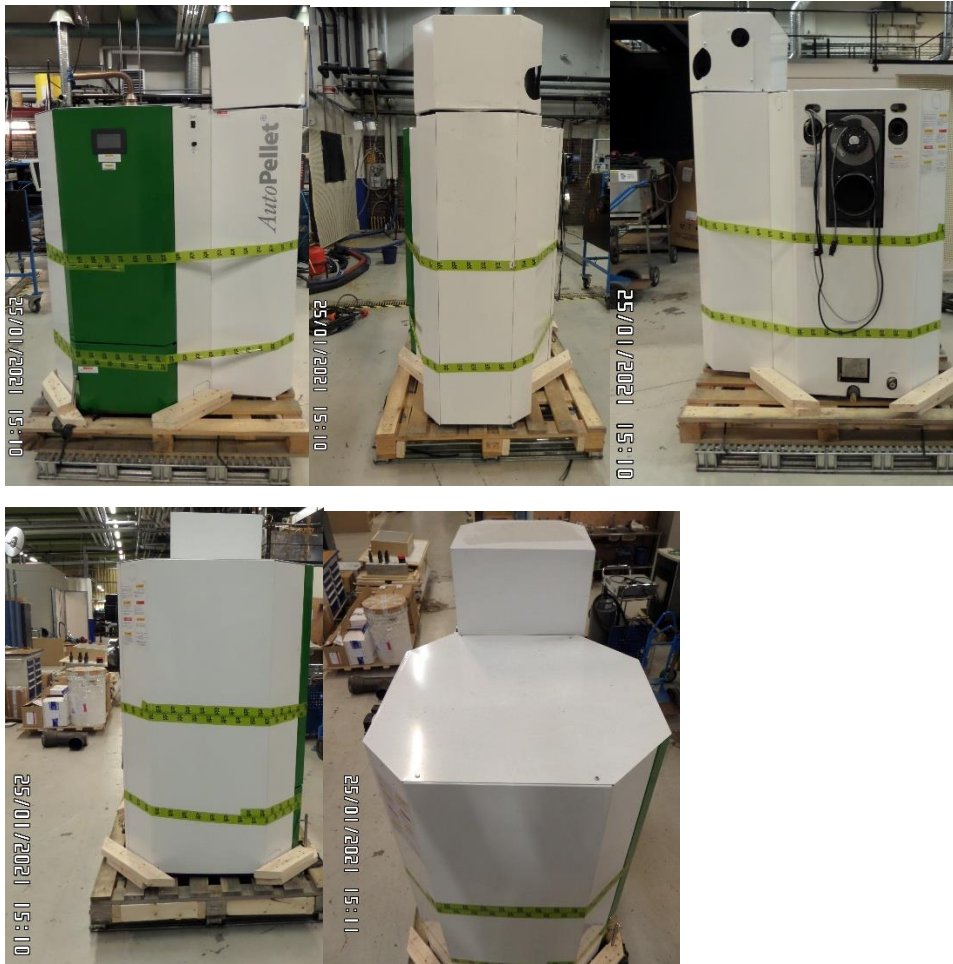


Figure 1b Sealed boiler (for retesting) at arrival to RISE 25/01/2021

Appendix 1



Figure 1c Unsealed boiler

Appendix 1



Figure 1d Resealed boiler after testing at RISE

Technical data

A summary of the technical data is shown in table 2

Table 2. Technical data

Nominal output, Btu/h (kW)	191,000 (56)
Gross weight empty, lbs (kg)	1120 (508)
Water content, gal (l)	30.6 (116)
Dimensions, (height x depth x width), inch (mm)	61 x 39 x 51 (1555 x 990 x 1297)
Electrical connection	208 to 240 VAC, single phase, 60 Hz, 15 amp
Old software version	V3.00a 01052019
New software version	V3.10d 10072020

Appendix 2

Results

Table 3 show the test results for the hydronic heater Pellematic 56. Further test results are presented in tables 5 to 9. Test run 1 in category IV failed and the test is documented in table 4.

Table 3. Test results from Category I to IV

	Unit	Category IV Run 2	Category III Run 1	Category II Run 1	Category II Run 2	Category I Run 1
Test date		21/01/2020	10/12/2019	11/12/2019	12/12/2019	04/03/2021
Atmospheric pressure	mm Hg (mbar)	754 (1005)	745 (993)	736 (981)	732 (976)	749 (998)
Test duration	minute	240	240	240	240	240
Absolute average gas static pressure in dilution tunnel	mm Hg	753	744	735	731	748
Average velocity in dilution tunnel	m/s	8.7	8.6	8.6	8.6	7.4
Average gas tunnel temperature (at Pitot tube)	°F (°C)	93 (34)	79 (26)	73 (23)	73 (23)	74 (24)
Average temperature at PM filter, sampling train 1	°F (°C)	77 (25)	72 (22)	70 (21)	70 (21)	70 (21)
Average temperature at PM filter, sampling train 2	°F (°C)	75 (24)	70 (21)	70 (21)	70 (21)	70 (21)
Flue gas temp (chimney)	°F (°C)	268 (131)	203 (95)	165 (74)	163 (73)	159 (70)
Average temperature of the appliance and water at start of the test	°F (°C)	148 (64)	148 (65)	149 (65)	153 (67)	151 (66)
Average temperature of the appliance and water at the end of the test	°F (°C)	147 (64)	141 (61)	147 (64)	143 (62)	156 (69)
Average temperature of return water as it enters the appliance	°F (°C)	129 (54)	127 (53)	129 (54)	127 (53)	141 (60)
Average temperature of supply water as it leaves the appliance	°F (°C)	165 (74)	162 (72)	165 (74)	162 (72)	165 (74)
Average inlet temperature load side of the heat exchanger	°F (°C)	110 (43)	109 (43)	111 (44)	111 (44)	108 (42)
Average outlet temperature load side of the heat exchanger	°F (°C)	148 (65)	141 (60)	146 (63)	146 (63)	135 (57)
Test load as fired	lb (kg)	108.54 (49.23)	46.30 (21.00)	22.24 (10.09)	20.95 (9.50)	17.65 (8.01)

Appendix 2

	Unit	Category IV Run 2	Category III Run 1	Category II Run 1	Category II Run 2	Category I Run 1
Burn rate	kg/hr	12.308	5.250	2.520	2.375	2.003
Fuel moisture content on dry basis	%	6.7	6.7	6.7	6.7	8.0
Diameter of pellet	mm	6	6	6	6	6
Water flow rate load side	gal/min (l/min)	10.02 (37.94)	5.39 (20.4)	2.22 (8.4)	2.21 (8.4)	1.96 (7.4)
Heat output (load side)	Btu/hr (kW)	191,193 (56.0)	82,974 (24.3)	37,744 (11.1)	36,343 (10.6)	26,357 (7.7)
Efficiency delivered (HHV)	%	87.4 ²	88.9 ²	84.2	86.1	75.0
Efficiency delivered (LHV)	%	94.1	95.7	90.7	92.7	80.8
Stack loss efficiency (HHV) ¹	%	86.4 ²	86.8 ²	87.7	87.8	86.3
CO (mean value)	ppm	78	19	42	44	143
CO (mean value)	%	0.0078	0.0019	0.0042	0.0044	0.0143
CO ₂ (mean value)	%	16.5	11.8	10.4	10.1	6.9
O ₂ , (mean value)	%	3.9	8.8	10.1	10.6	13.7
CO, (mean) ³	g/min	0.106	0.042	0.019	0.019	0.075
Room air blank filter	mg	0.0	0.1	0.1	0.1	0.1
Total amount of particulate matter collected in dilution tunnel, sampling train 1	g	4.12	2.03	3.90	3.98	4.54
Total amount of particulate matter collected in dilution tunnel, sampling train 2	g	5.46	2.82	3.64	4.44	4.33
Average gas flow rate in dilution tunnel	dscm/min	9.66	9.79	9.76	9.67	8.54
Absolute average dry gas meter temperature, sampling train 1	K	294	293	294	294	293
Absolute average dry gas meter temperature, sampling train 2	K	294	293	294	294	293
Volume of gas sample measured corrected to standard conditions, sampling train 1	dscm	1.3679	1.3112	1.2313	1.2522	1.4083
Volume of gas sample measured	dscm	1.2515	1.2882	1.1334	1.3454	1.3835

Appendix 2

	Unit	Category IV Run 2	Category III Run 1	Category II Run 1	Category II Run 2	Category I Run 1
corrected to standard conditions, sampling train 2						
Volume of room air gas sample measured corrected to standard conditions	dscm	1.2145	1.2156	1.2854	1.1935	1.1732
Difference of PM between the two sampling trains and train precisions (in brackets) ⁴	g/kg _{dry} (%)	0.03 (14.0)	0.04 (16.5)	0.03 (3.5)	0.06 (5.4)	0.03 (2.3)

¹ Stack loss efficiency calculated according to CSA B415.1-10.

² The overall stack loss efficiency is lower than the delivered efficiency on the load side. One reason for this is that the stack loss method use the moisture content in the fuel on a wet base whilst the method ASTM 2618-13 (clause 13) uses the moisture content on a dry base, thus giving a lower heat input and therefore a higher efficiency.

³ CO emission in g/min calculated according to B415.1-10.

⁴ The requirement in ASTM 2515-11 for the difference between the two sampling trains are maximum 0.5 g/kg dry fuel or 7,5 % of total emissions from the average total emissions.

Table 4 below show the results from the failed test run 1 in category IV. The test run 1 failed because of a fault occurred (see comments and observations on page 4). The results in table 4 includes the time (about 10 minutes) when the boiler was stopped. The values in table 4 are not used in the calculations in tables 5 to 9.

Table 4. Failed test results from Category IV run 1

	Unit	Category IV Run 1
Test date		09/12/2019
Atmospheric pressure	mm Hg (mbar)	726 (968)
Test duration	minute	240
Absolute average gas static pressure in dilution tunnel	mm Hg	725
Average velocity in dilution tunnel	m/s	8.8
Average gas tunnel temperature (at Pitot tube)	°F (°C)	95 (35)
Average temperature at PM filter, sampling train 1	°F (°C)	79 (26)
Average temperature at PM filter, sampling train 2	°F (°C)	75 (24)
Flue gas temp (chimney)	°F (°C)	264 (129)
Average temperature of the appliance and water at start of the test	°F (°C)	144 (62)
Average temperature of the appliance and water at the end of the test	°F (°C)	144 (62)

Appendix 2

	Unit	Category IV Run 1
Average temperature of return water as it enters the appliance	°F (°C)	129 (54)
Average temperature of supply water as it leaves the appliance	°F (°C)	162 (72)
Average inlet temperature load side of the heat exchanger	°F (°C)	109 (43)
Average outlet temperature load side of the heat exchanger	°F (°C)	(64)
Test load as fired	lb (kg)	104.91 (47.59)
<i>Burn rate</i>	<i>kg/hr</i>	<i>11.898</i>
Fuel moisture content on dry basis	%	6.7
Diameter of pellet	mm	6
Water flow rate on the load side	gal/min (l/min)	9.73 (36.83)
Heat output (load side)	Btu/hr (kW)	184,702 (54.1)
Efficiency delivered (HHV)	%	87.4 ¹
Efficiency delivered (LHV)	%	94.0
Stack loss efficiency (HHV)	%	86.2 ¹
CO (mean value)	ppm	79
CO (mean value)	%	0.0079
CO ₂ (mean value)	%	15.4
O ₂ , (mean value)	%	5.1
CO, (mean) ²	g/min	0.127
Room air blank filter	mg	0.04
Total amount of particulate matter collected in dilution tunnel, sampling train 1	g	3.36
Total amount of particulate matter collected in dilution tunnel, sampling train 2	g	4.34
Average gas flow rate in dilution tunnel	dscm/min	9.52
Absolute average dry gas meter temperature, sampling train 1	K	294
Absolute average dry gas meter temperature, sampling train 2	K	294
Volume of gas sample measured corrected to standard conditions, sampling train 1	dscm	1.28
Volume of gas sample measured corrected to standard conditions, sampling train 2	dscm	1.20
Volume of room air gas sample measured corrected to standard conditions	dscm	1.18
PM output, average of two sampling trains	lb/mmBtu out	0.011
First hour of emission	g/hr	1.27
Difference of PM between the two sampling trains ³	g/kg _{dry} (%)	0.02 (12.8)

Appendix 2

¹ The overall stack loss efficiency is lower than the delivered efficiency on the load side. One reason for this is that the stack loss method use the moisture content in the fuel on a wet base whilst the method ASTM 2618-13 (clause 13) uses the moisture content on a dry base, thus given a lower heat input and therefore a higher efficiency.

² CO emission in g/min calculated according to B415.1-10.

³ The requirement in ASTM 2515-11 for the difference between the two sampling trains are maximum 0.5 g/kg dry fuel or 7,5 % of total emissions (shown in brackets).

Tables 5 to 8 refer to the corresponding tables in ASTM E2618-13.

Table 5. Test condition summary

						Θ	W_{fuel}	MC_{ave}	Q_{in}	Q_{out}
Category	Run No	Load % Capacity	Target Load	Actual Load	Actual Load	Test Duration	Wood Weight as-fired	Wood Moisture	Heat Input	Heat Output
			Btu/hr	Btu/hr	% of max	hrs	lb	% DB	Btu	Btu
I	1	≤ 15	≤ 28,650	26,357	13.8	4.0	17.65	8.0	140,555	105,429
II	1	16 - 24	30,560 - 45,840	37,744	19.8	4.0	22.24	6.7	179,282	150,975
II	2	16 - 24	30,560 - 45,840	36,343	19.0	4.0	20.95	6.7	168,848	145,374
III	1	25 - 50	47,750 - 95,500	82,974	43.4	4.0	46.30	6.7	373,231	331,894
IV	2	100	191,000	191,203	100.1	4.0	108.54	6.7	874,955	764,810

Appendix 2

Table 6. Test results summary

			T2 min	E_T	E	E	$E_{g/hr}$	$E_{g/kg}$	η_{del}	η_{SLM}
Category	Run No	Load % Capacity	Min return water temp	Total PM emissions	PM output based	PM output based	PM rate	PM factor	Delivered efficiency	Stack loss efficiency
			°F	g	lb/mmBtu out	g/MJ	g/hr	g/kg	%	%
I	1	≤ 15	138	4.43	0.093	0.040	1.111	0.598	75.0	86.3
II	1	16 - 24	124	3.77	0.055	0.024	0.946	0.400	84.2	87.7
II	2	16 - 24	123	4.21	0.064	0.027	1.057	0.475	86.1	87.8
III	1	25 - 50	126	2.41	0.016	0.007	0.609	0.124	88.9	86.8 ¹
IV	2	100	127	4.73	0.014	0.006	1.204	0.104	87.4	86.4 ¹

¹ The overall stack loss efficiency is lower than the delivered efficiency on the load side. One reason for this is that the stack loss method use the moisture content in the fuel on a wet base whilst the method ASTM 2618-13 (clause 13) uses the moisture content on a dry base, thus giving a lower heat input and therefore a higher efficiency.

Table 7. Heating season weighting

Category	Weighting factor (F_i)	$\eta_{del,i} \times F_i$	$E_{g/MJ,i} \times F_i$	$E_{g/kg,i} \times F_i$	$E_{lb/mmBtu Out,i} \times F_i$	$E_{g/hr,i} \times F_i$	$CO_{g/min} \times F_i$
I	0.175	13.13	0.0070	0.1047	0.0163	0.1944	0.0131
II¹	0.275	23.42	0.0070	0.1203	0.0164	0.2754	0.0052
III	0.450	40.01	0.0032	0.0558	0.0072	0.2741	0.0149
IV	0.100	8.74	0.0006	0.0104	0.0014	0.1204	0.0106
Totals	1.000	85.30	0.017	0.291	0.041	0.864	0.044

¹ The category II results are calculated as the arithmetic average of two test runs shown in table 3, 5 and 6 and multiplied by the weighting factor (see also email correspondence with EPA in appendix 12).

Appendix 2

Table 8. Year-Round use weighting

Category	Weighting factor (F_i)	$\eta_{del,i} \times F_i$	$E_{g/MJ,i} \times F_i$	$E_{g/kg,i} \times F_i$	$E_{lb/mmBtu Out,i} \times F_i$	$E_{g/hr,i} \times F_i$	$CO_{g/min} \times F_i$
I	0.437	32.78	0.0175	0.2613	0.0406	0.4855	0.0328
II¹	0.238	20.27	0.0061	0.1041	0.0142	0.2384	0.0045
III	0.275	24.45	0.0019	0.0341	0.0044	0.1675	0.0091
IV	0.050	4.37	0.0003	0.0052	0.0007	0.0602	0.0053
Totals	1.000	81.87	0.026	0.405	0.060	0.952	0.052

¹The category II results are calculated as the arithmetic average of the two test runs shown in table 3, 5 and 6 and multiplied by the weighting factor (see also email correspondence with EPA in appendix 12).

Table 9 show the PM emissions from the first hour of measurement measured by one of the two sampling trains (train 2 probe 2).

Table 9. First hour emissions

Category	1 st hour emissions (g/hr)	1 st hour emissions (lb/mmBtu)
I Run 1	1.02	0.086
II¹	0.99	0.059
III Run 1	1.56	0.038
IV Run 2	1.43	0.017

¹First hour of emission in category II is calculated as the arithmetic average of two test runs shown in table 3, 5 and 6 (see also email correspondence in appendix 12).

Appendix 2

Figures 2 a-f show the heat output (load side) in Btu/hr during the tests.

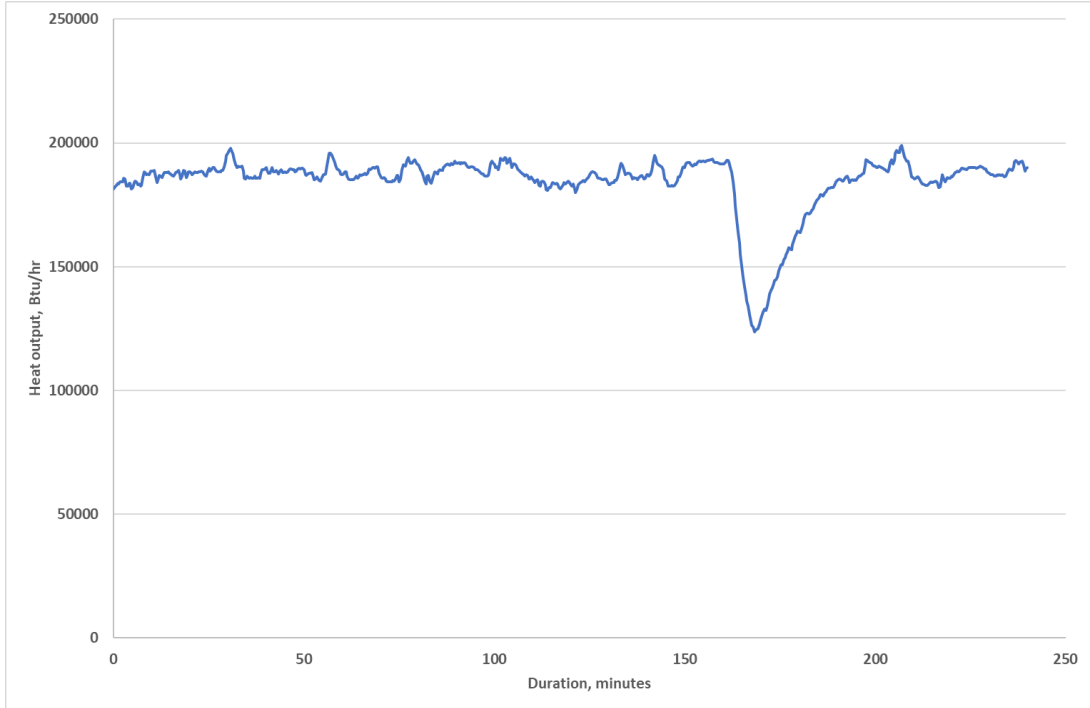


Figure 2 a. Heat output Category IV run 1 (failed test)

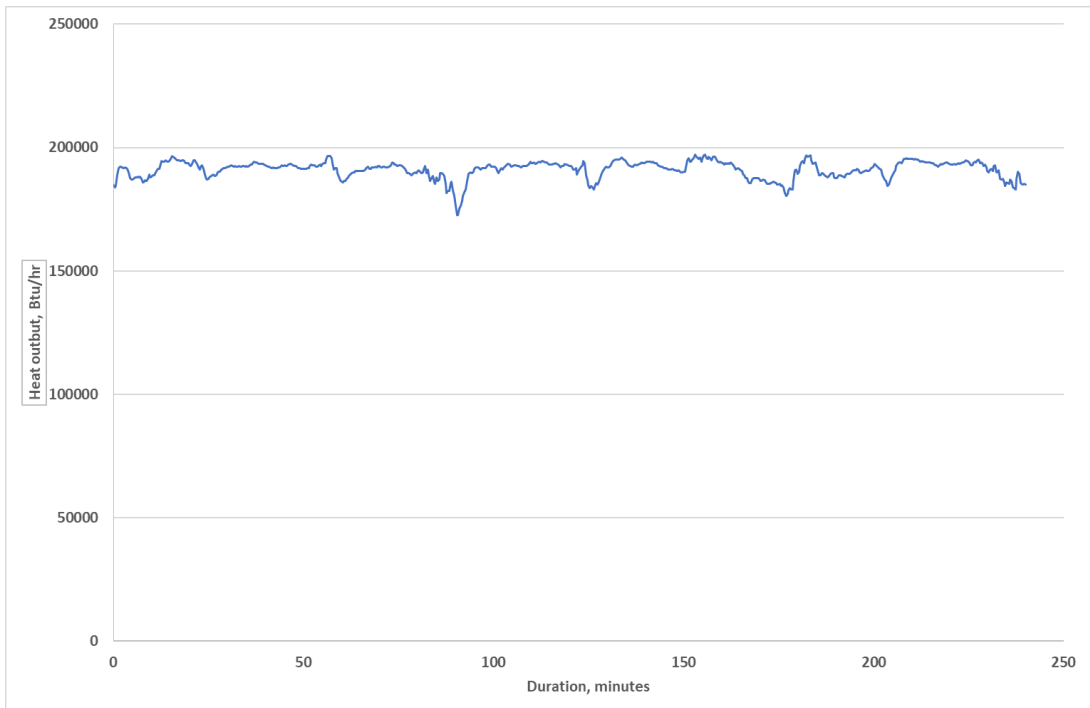


Figure 2 b. Heat output Category IV run 2

Appendix 2

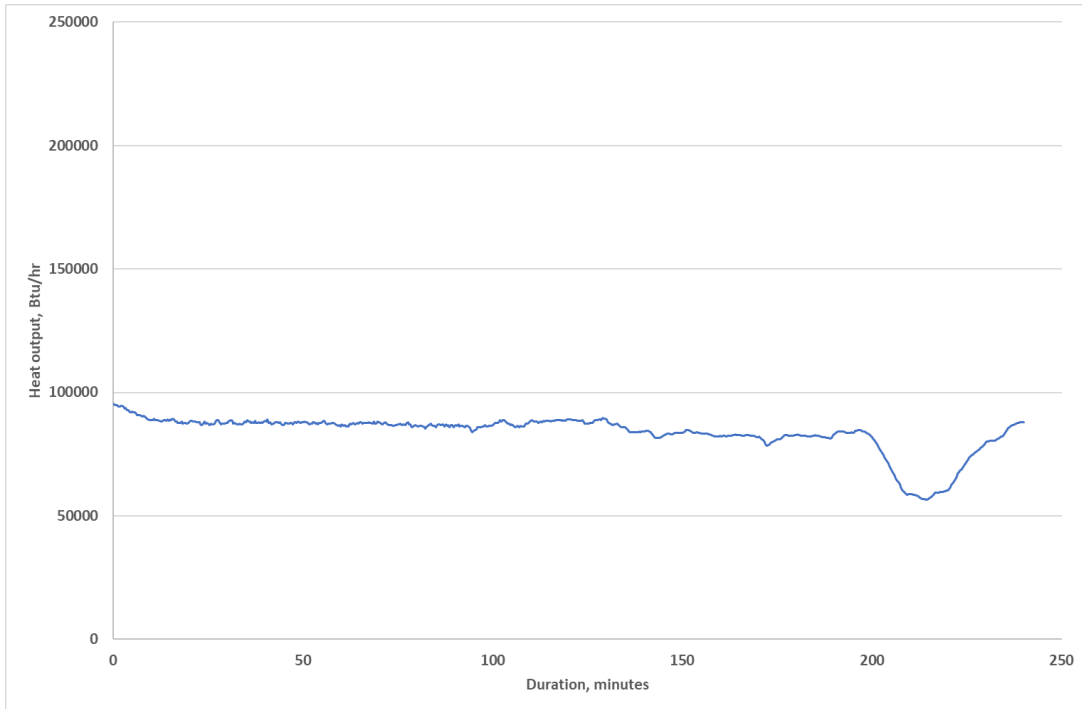


Figure 2 c. Heat output Category III run 1. *The dip in the end of the test can be explained by the fact that sometimes there is a void in the feed. The auger will keep on running and will regain solid fuel which can give a dip in the output.*

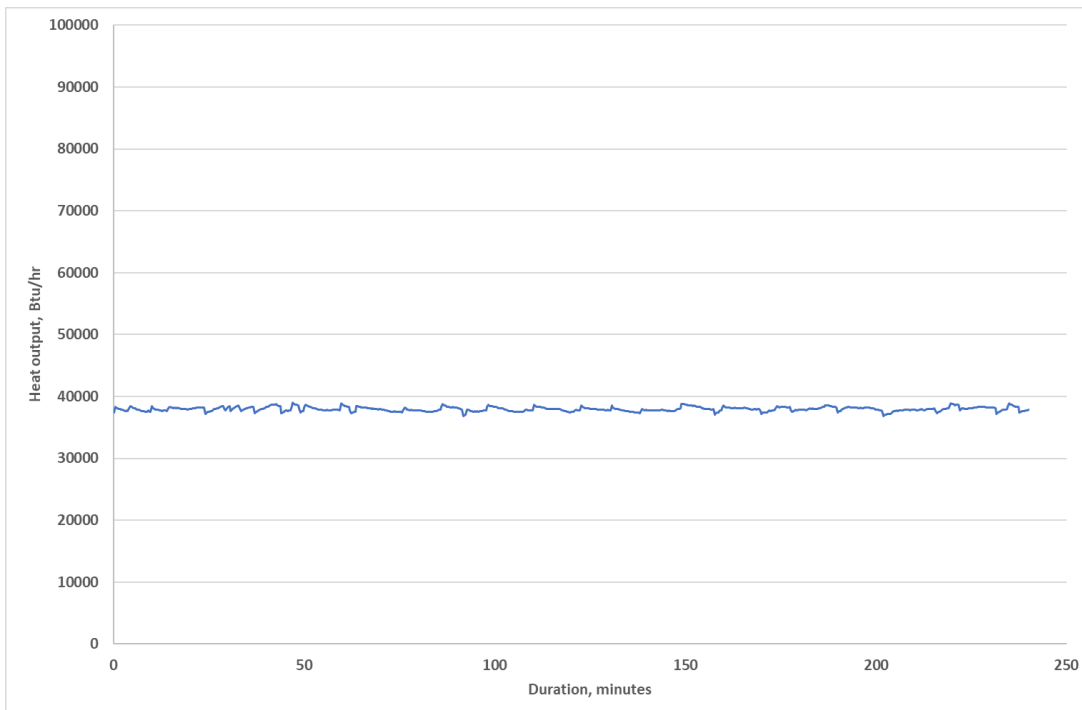


Figure 2 d. Heat output Category II run 1

Appendix 2

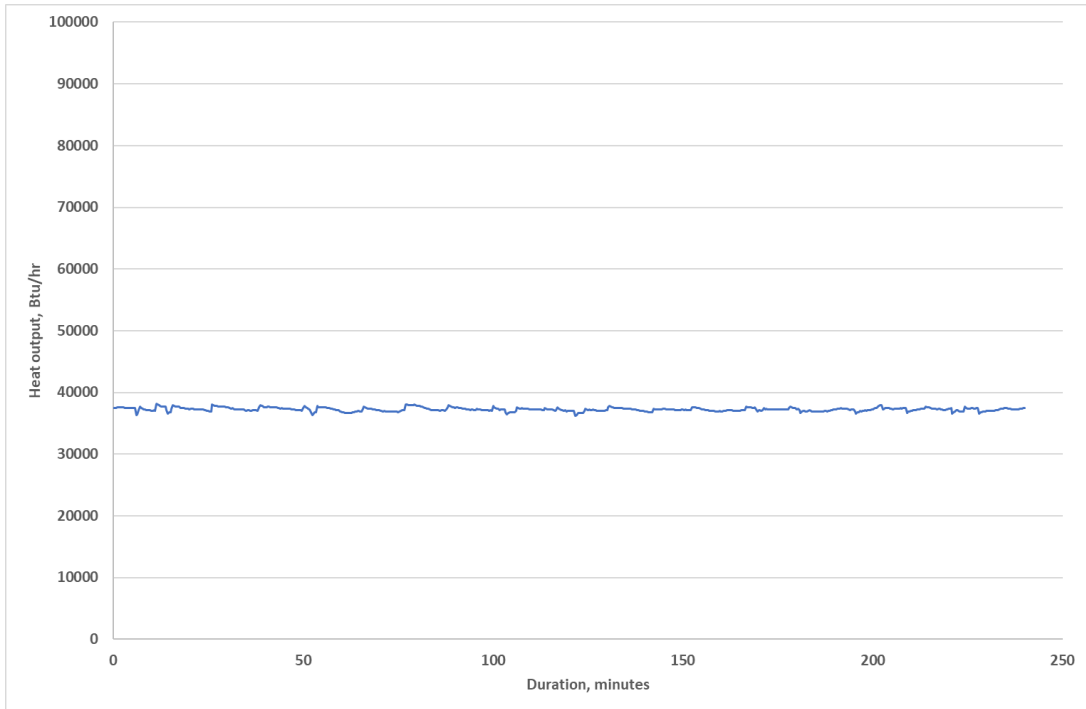


Figure 2 e. Heat output Category II run 2

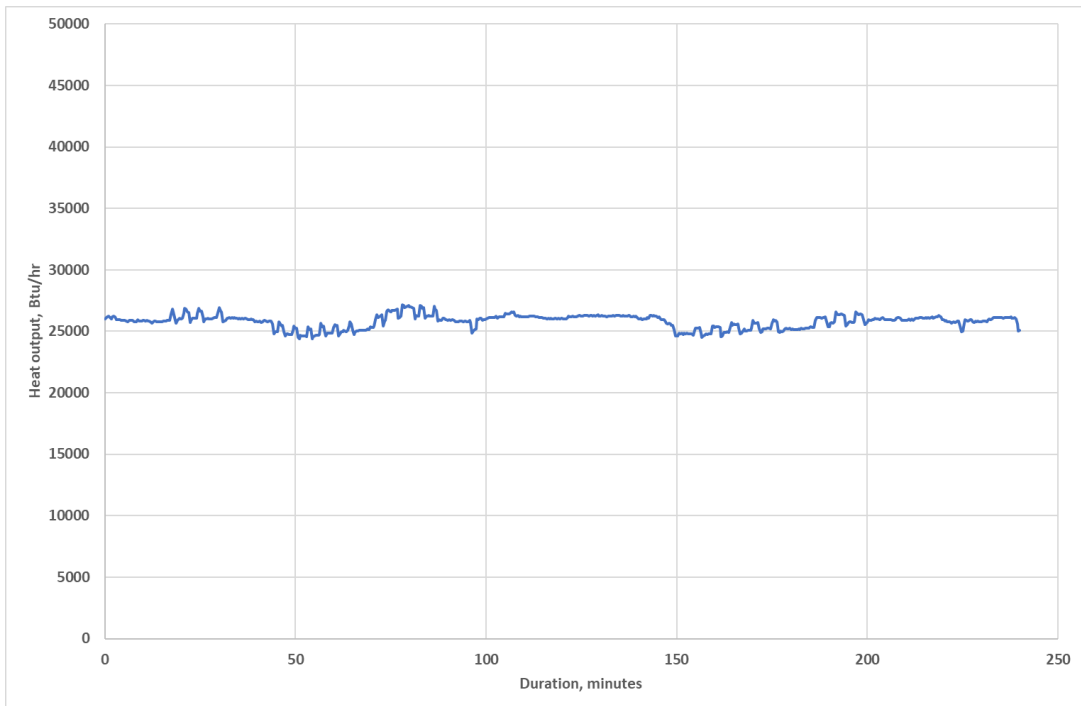


Figure 2 f. Heat output Category I run 1 (retest 04/03/2021)

Appendix 3

Dilution tunnel velocity traverse measurement

The dilution tunnel inside diameter was 160 mm (6.3 inch) and cross sectional area was 0.02 m² (0.22 ft²). The F_p factor has been included in the calculations of the particulate results.

Dilution tunnel measurement for category I (2021)

Table 10a. Dilution tunnel traverse retest Category I

Traverse point	% of diameter (160 mm)	Temperature, °C (F)	Velocity, m/s
Y1	6.7	21.1	7.63
Y2	25.0	21.0	7.90
Centre	50.0	21.1	8.07
Y3	75.0	21.0	7.82
Y4	93.3	21.0	6.60
X1	6.7	21.1	7.48
X2	25.0	21.0	7.87
Centre	50.0	21.1	8.15
X3	75.0	21.0	7.88
X4	93.3	21.1	6.93
V _{strav} , average (Y + X)	-	-	7.51
V _{scent} , average (Centre)	-	-	8.11

$$F_p = \frac{V_{strav}}{V_{scent}} = \frac{7.51}{8.11} = 0.926$$

Dilution tunnel measurement for category II to IV (2019)

Table 10b. Dilution tunnel traverse category II , III and IV

Traverse point	% of diameter (160 mm)	Temperature, °C (F)	Velocity, m/s
Y1	6.7	20.8	8.76
Y2	25.0	20.8	9.39
Centre	50.0	20.8	9.98
Y3	75.0	20.8	9.69
Y4	93.3	20.8	8.50
X1	6.7	20.8	8.66
X2	25.0	20.8	9.28
Centre	50.0	20.8	9.86
X3	75.0	20.8	9.52
X4	93.3	20.8	8.18
V _{strav} , average (Y + X)	-	-	9.00
V _{scent} , average (Centre)	-	-	9.92

$$F_p = \frac{V_{strav}}{V_{scent}} = \frac{9.00}{9.92} = 0.907$$

Appendix 4

Sampling equipment leakage check

The leakage check of the sampling trains were performed at a vacuum of 380 mm Hg (0.5 bar). This vacuum was not exceeded during the test periods

Table 11a. Category IV run 2

	Leakage rate, m ³ /min		Requirement, 0.0003 m ³ /min
	Pre-test	Post-test	
Sampling train 1	0.0001	0.0001	OK
Sampling train 2	0.0002	0.0002	OK
Sampling train 3	0.0000	0.0000	OK
Ambient train	0.00025	0.00025	OK

Table 11b. Category III

	Leakage rate, m ³ /min		Requirement, 0.0003 m ³ /min
	Pre-test	Post-test	
Sampling train 1	0.00015	0.00020	OK
Sampling train 2	0.00020	0.00005	OK
Sampling train 3	0.0001	0.0000	OK
Ambient train	0.0002	0.0002	OK

Table 11c. Category II run 1

	Leakage rate, m ³ /min		Requirement, 0.0003 m ³ /min
	Pre-test	Post-test	
Sampling train 1	0.0001	0.0001	OK
Sampling train 2	0.00025	0.0002	OK
Sampling train 3	0.0002	<0.0001	OK
Ambient train	0.0002	0.0002	OK

Table 11d. Category II run 2

	Leakage rate, m ³ /min		Requirement, 0.0003 m ³ /min
	Pre-test	Post-test	
Sampling train 1	0.00015	0.0002	OK
Sampling train 2	0.0001	0.00025	OK
Sampling train 3	0.0001	0.0000	OK
Ambient train	0.0002	0.0002	OK

Table 11e. Category I retest 04/03/2021

	Leakage rate, m ³ /min		Requirement, 0.0003 m ³ /min
	Pre-test	Post-test	
Sampling train 1	0.0002	0.0001	OK
Sampling train 2	0.0002	0.00025	OK
Sampling train 3	0.0002	0.00025	OK
Ambient train	0.0002	0.00025	OK

Appendix 5

Proportional rate variation

Table 12a to 12j shows the proportional rate variation of the sampling trains.

Table 12a. Category IV run 2 sampling train 1

PROBE 1 Cat IV run 2, 21-01-2020																					
	i 1	2	i 3	i 4	i 5	i 9	i 10	11	i 12	i 13	i 14	i 15	i 16	i 17	i 18	i 19	i 20	i 21	i 22	23	
Time total, minute	θ	240,00	240,00	240,00	240,00	240,00	240	240	240	240	240	240	240	240	240	240	240	240	240	240	
Gas meter volume of gas sample during 10min interval, m ³	V _{mi}	0,06	0,05	0,07	0,07	0,09	0,058	0,0575	0,074	0,04	0,0573	0,0567	0,057	0,0573	0,1417	0,0565	0,0565	0,113	0,0845	0,0565	0,0565
Average gas velocity in tunnel, m/s	V _g	9,39	9,386	9,386	9,386	9,386	9,386	9,386	9,386	9,386	9,386	9,386	9,386	9,386	9,386	9,386	9,386	9,386	9,386	9,386	9,386
Absolute average dry gas meter temperature, K	T _m	293,91	293,91	293,91	293,91	293,91	293,91	293,91	293,91	293,91	293,91	293,91	293,91	293,91	293,91	293,91	293,91	293,91	293,91	293,91	293,91
Absolute average gas temperature in tunnel during 10minute interval, K (pitot)	T _p	307,51	307,59	307,52	307,52	307,49	307,49	307,5	307,524	307,489	307,63	307,6	307,6	307,72	307,639	307,584	307,692	307,61	307,6	307,5	307,43
Volume of gas sample total, m ³	V _m	1,36	1,36	1,36	1,36	1,36	1,36	1,36	1,36	1,36	1,36	1,36	1,36	1,36	1,36	1,36	1,36	1,36	1,36	1,36	1,36
Average gas velocity in tunnel for 10 min interval, m/s	V _g	9,37	9,39	9,39	9,39	9,39	9,3834	9,387	9,3814	9,3804	9,38	9,3841	9,3805	9,384	9,3868	9,386	9,381	9,3866	9,3861	9,3906	9,396
Absolute average gas temperature in tunnel (pitot), K	T _i	307,57	307,57	307,57	307,57	307,57	307,57	307,57	307,57	307,57	307,57	307,57	307,57	307,57	307,57	307,57	307,57	307,57	307,57	307,57	307,57
Absolute average dry gas meter temperature during 10 minute interval, K (probe i)	T _{mi}	293,74	293,74	293,74	293,74	293,74	293,74	293,74	293,75	293,19	293,83	293,86	293,9	293,94	294	294,04	294,06	294,1	294,12	294,12	294,138
Actual time when reading, minute	θ _i	11,00	9	12	12	16	10	10	13	7	10	10	10	10	25	10	10	20	15	10	10
Results		92	102	102	102	100	102	102	100	101	101	100	101	101	100	100	100	100	99	100	100
Requirement		90-110	90-110	90-110	90-110	90-110	90-110	90-110	90-110	90-110	90-110	90-110	90-110	90-110	90-110	90-110	90-110	90-110	90-110	90-110	90-110
Fail/ok		ok	ok	ok	ok	ok	ok	ok	ok	ok	ok	ok	ok	ok	ok	ok	ok	ok	ok	ok	ok
Requirement 2		80-120	80-120	80-120	80-120	80-120	80-120	80-120	80-120	80-120	80-120	80-120	80-120	80-120	80-120	80-120	80-120	80-120	80-120	80-120	80-120

Table 12b. Category IV run 2 sampling train 2 and 3

PROBE 2 and 3 Cat IV run 2, 21-01-2020																					
	Probe 2	Probe 2	Probe 2	Probe 2	Probe 2	Probe 3	Probe 3	Probe 3	Probe 3	Probe 3	Probe 3	Probe 3	Probe 3	Probe 3	Probe 3	Probe 3	Probe 3	Probe 3	Probe 3	Probe 3	
	1	2	i 3	4	i 5	i 1	i 2	i 3	i 4	i 5	6	7	i 8	9	i 10	i 11	i 12	13	i 14	i 15	
Time total, minute	θ	60,00	60,00	60,00	60,00	60,00	178,34	178,34	178,34	178,34	178,34	178,34	178,34	178,34	178,34	178,34	178,34	178,34	178,34	178,34	
Gas meter volume of gas sample during 10min interval, m ³	V _{mi}	0,07	0,05	0,07	0,06	0,08	0,05	0,051	0,0655	0,0373	0,053	0,0532	0,0528	0,0527	0,1315	0,053	0,052	0,1048	0,0782	0,052	0,0522
Average gas velocity in tunnel, m/s	V _g	9,39	9,39	9,39	9,39	9,39	9,386	9,386	9,386	9,386	9,386	9,386	9,386	9,386	9,386	9,386	9,386	9,386	9,386	9,386	9,386
Absolute average dry gas meter temperature, K	T _m	300,80	300,80	300,80	300,80	300,80	300,80	300,80	300,80	300,80	300,80	300,80	300,80	300,80	300,80	300,80	300,80	300,80	300,80	300,80	300,80
Absolute average gas temperature in tunnel during 10 minute interval, K (pitot)	T _p	307,51	307,59	307,52	307,52	307,49	307,49	307,5	307,524	307,489	307,63	307,6	307,6	307,72	307,639	307,584	307,692	307,61	307,6	307,5	307,43
Volume of gas sample total, m ³	V _m	0,34	0,34	0,34	0,34	0,34	0,9392	0,9392	0,9392	0,9392	0,9392	0,9392	0,9392	0,9392	0,9392	0,9392	0,9392	0,9392	0,9392	0,9392	0,9392
Average gas velocity in tunnel for 10 min interval, m/s	V _g	9,37	9,39	9,39	9,39	9,39	9,3834	9,387	9,3814	9,3804	9,38	9,3841	9,3805	9,384	9,3868	9,386	9,381	9,3866	9,3861	9,3906	9,396
Absolute average gas temperature in tunnel (pitot), K	T _i	307,57	307,57	307,57	307,57	307,57	307,57	307,57	307,57	307,57	307,57	307,57	307,57	307,57	307,57	307,57	307,57	307,57	307,57	307,57	307,57
Absolute average dry gas meter temperature during 10 minute interval, K (probe i)	T _{mi}	293,42	293,52	293,56	291,59	293,63	293,68	293,7	293,74	293,75	293,79	293,81	293,85	293,87	293,89	293,91	293,92	293,91	293,92	293,92	293,93
Actual time when reading, minute	θ _i	11	9	12	12	16	10	10	13	7	10	10	10	10	25	10	10	20	15	10	10
Results		110	112	102	97	96	97	99	98	104	103	103	103	103	102	103	101	102	101	101	101
Requirement		90-110	90-110	90-110	90-110	90-110	90-110	90-110	90-110	90-110	90-110	90-110	90-110	90-110	90-110	90-110	90-110	90-110	90-110	90-110	90-110
Fail/ok		ok	fail	ok	ok	ok	ok	ok	ok	ok	ok	ok	ok	ok	ok	ok	ok	ok	ok	ok	ok
Requirement 2		80-120	80-120	80-120	80-120	80-120	80-120	80-120	80-120	80-120	80-120	80-120	80-120	80-120	80-120	80-120	81-120	82-120	83-120	84-120	80-120
Fail 2/ok			ok																		

Appendix 5

Table 12 c. Category III, sampling train 1

PROBE 1 Cat III, 10-12-2019																					
	i1	2	i3	i4	5	i6	i9	10	i11	12	i13	14	15	i16	i17	18	19	i20	i21	22	
Time total, minute	Ø	240,00	240,00	240,00	240,00	240,00	240	240	240	240	240	240	240	240	240	240	240	240	240	240	
Gas meter volume of gas sample during 10min interval, m ³	V _m	0,05	0,08	0,06	0,06	0,05	0,07	0,055	0,0655	0,0553	0,0607	0,0545	0,0775	0,055	0,055	0,101	0,0935	0,066	0,06	0,0605	0,0823
Average gas velocity in tunnel, m/s	V _s	9,43	9,43	9,43	9,43	9,43	9,43	9,43	9,43	9,43	9,43	9,43	9,43	9,43	9,43	9,43	9,43	9,43	9,43	9,43	9,43
Absolute average dry gas meter temperature, K	T _m	293,42	293,42	293,42	293,42	293,42	293,42	293,42	293,42	293,42	293,42	293,42	293,42	293,42	293,42	293,42	293,42	293,42	293,42	293,42	293,42
Absolute average gas temperature in tunnel during 10minute interval, K (pitot)	T _g	299,34	299,31	299,28	299,32	299,34	299,34	299,34	299,31	299,11	298,35	298,78	298,88	298,85	298,72	298,65	298,6	297,61	297,68	298,27	298,37
Volume of gas sample total, m ³	V _m	1,32	1,32	1,32	1,32	1,32	1,3186	1,3186	1,3186	1,3186	1,3186	1,3186	1,3186	1,3186	1,3186	1,3186	1,3186	1,3186	1,3186	1,3186	1,3186
Average gas velocity in tunnel for 10 min interval, m/s	V _s	9,43	9,42	9,43	9,43	9,43	9,43	9,428	9,428	9,433	9,45	9,44	9,448	9,44	9,44	9,44	9,429	9,44	9,449	9,41	9,41
Absolute average gas temperature in tunnel (pitot), K	T _g	298,80	298,80	298,80	298,80	298,80	298,8	298,8	298,8	298,8	298,8	298,8	298,8	298,8	298,8	298,8	298,8	298,8	298,8	298,8	298,8
Absolute average dry gas meter temperature during 10 minute interval, K (probe i)	T _m	293,39	293,35	293,34	293,37	293,40	293,40	293,47	293,48	293,48	293,49	293,47	293,447	293,42	293,401	293,37	293,36	293,33	293,32	293,28	293,21
Actual time when reading, minute	Ø	10	15	10	10	10	12	10	12	10	11	10	14	10	10	19	17	12	11	11	15
Results		99	100	101	100	99	109	100	100	101	100	99	101	100	100	97	100	100	99	100	100
Requirement		90-110	90-110	90-110	90-110	90-110	90-110	90-110	90-110	90-110	90-110	90-110	90-110	90-110	90-110	90-110	91-110	92-110	93-110	94-110	95-110
Fail/ok		ok	ok	ok	ok	ok	ok	ok	ok	ok	ok	ok	ok	ok	ok	ok	ok	ok	ok	ok	ok
Requirement 2		80-120	80-120	80-120	80-120	80-120	80-120	80-120	80-120	80-120	80-120	80-120	80-120	80-120	80-120	80-120	81-120	82-120	83-120	84-120	85-120

Table 12d. Category III, sampling trains 2 and 3

PROBE 2 Cat III, 10-12-2019																						
	Probe 2	Probe 2	Probe 2	Probe 2	Probe 2	Probe 2	Probe 3	Probe 3	Probe 3	Probe 3	Probe 3	Probe 3	Probe 3	Probe 3	Probe 3	Probe 3	Probe 3	Probe 3	Probe 3	Probe 3	Probe 3	
	i1	2	i3	i4	5	i6	i1	i9	i10	i11	i12	i13	i14	i15	i16	i17	i18	i19	i20	i21	22	
Time total, minute	Ø	60,00	60,00	60,00	60,00	60,00	60,00	178	178	178	178	178	178	178	178	178	178	178	178	178	178	
Gas meter volume of gas sample during 10 min interval, m ³	V _m	0,05	0,08	0,06	0,06	0,06	0,08	0,033	0,056	0,067	0,056	0,062	0,0555	0,079	0,0563	0,056	0,1062	0,0958	0,0672	0,0615	0,0615	0,0829
Average gas velocity in tunnel, m/s	V _s	9,43	9,43	9,43	9,43	9,43	9,43	9,43	9,43	9,43	9,43	9,43	9,43	9,43	9,43	9,43	9,43	9,43	9,43	9,43	9,43	9,43
Absolute average dry gas meter temperature, K	T _m	293,42	293,42	293,42	293,42	293,42	293,42	293,42	293,42	293,42	293,42	293,42	293,42	293,42	293,42	293,42	293,42	293,42	293,42	293,42	293,42	293,42
Absolute average gas temperature in tunnel during 10minute interval, K (pitot)	T _g	299,34	299,31	299,28	299,32	299,34	299,36	299,33	299,34	299,31	299,11	298,35	298,78	298,88	298,85	298,72	298,65	298,6	297,61	297,68	298,27	298,37
Volume of gas sample total, m ³	V _m	0,33	0,33	0,33	0,33	0,33	0,33	0,9969	0,9969	0,9969	0,9969	0,9969	0,9969	0,9969	0,9969	0,9969	0,9969	0,9969	0,9969	0,9969	0,9969	0,9969
Average gas velocity in tunnel for 10 min interval, m/s	V _s	9,43	9,42	9,43	9,43	9,43	9,426	9,4277	9,428	9,428	9,433	9,45	9,44	9,448	9,44	9,44	9,44	9,44	9,429	9,44	9,449	9,41
Absolute average gas temperature in tunnel (pitot), K	T _g	298,80	298,80	298,80	298,80	298,80	298,8	298,8	298,8	298,8	298,8	298,8	298,8	298,8	298,8	298,8	298,8	298,8	298,8	298,8	298,8	298,8
Absolute average dry gas meter temperature during 10 minute interval, K (probe i)	T _m	293,46	293,50	293,56	293,63	293,71	293,76	293,78	293,814	293,88	293,95	294	294,039	294,063	294,08	294,08	294,07	294,051	294	293,98	293,93	293,93
Actual time when reading, minute	Ø	10	15	10	10	10	5	6	10	12	10	11	10	14	10	10	19	17	12	11	11	15
Results		91	99	103	103	103	106	98	100	100	100	100	100	99	100	100	100	99	100	99	100	100
Requirement		90-110	90-110	90-110	90-110	90-110	90-110	90-110	90-110	90-110	90-110	90-110	90-110	90-110	90-110	90-110	90-110	91-110	92-110	93-110	94-110	95-110
Fail/ok		ok	ok	ok	ok	ok	ok	ok	ok	ok	ok	ok	ok	ok	ok	ok	ok	ok	ok	ok	ok	ok
Requirement 2		80-120	80-120	80-120	80-120	80-120	80-120	80-120	80-120	80-120	80-120	80-120	80-120	80-120	80-120	80-120	80-120	81-120	82-120	83-120	84-120	85-120

Appendix 5

Table 12e. Category II run 1, sampling train 1

PROBE 1 Cat II, run 1, 11-12-2019																					
	1	2	4	5	6	7	8	9	10	11	12	13	14	15	16	17	18	19	20	21	22
Time total, minute	Ø	240,00	240,00	240,00	240,00	240,00	240	240	240	240	240	240	240	240	240	240	240	240	240	240	240
Gas meter volume of gas sample during 10 min interval, m ³	V _m	0,05	0,05	0,09	0,07	0,05	0,06	0,05	0,05	0,08	0,05	0,05	0,06	0,06	0,06	0,08	0,05	0,05	0,05	0,05	0,06
Average gas velocity in tunnel, m/s	V _s	9,42	9,42	9,42	9,42	9,42	9,42	9,42	9,42	9,42	9,42	9,42	9,42	9,42	9,42	9,42	9,42	9,42	9,42	9,42	9,42
Absolute average dry gas meter temperature, K	T _m	293,70	293,70	293,70	293,70	293,70	293,70	293,70	293,70	293,70	293,70	293,70	293,70	293,70	293,70	293,70	293,70	293,70	293,70	293,70	293,70
Absolute average gas temperature in tunnel during 10 minute interval, K (pitot)	T _a	296,03	296,21	296,58	296,58	296,58	296,58	296,58	296,58	296,58	296,58	296,58	296,58	296,58	296,58	296,58	296,58	296,58	296,58	296,58	296,58
Volume of gas sample total, m ³	V _m	1,21	1,21	1,21	1,21	1,21	1,21	1,21	1,21	1,21	1,21	1,21	1,21	1,21	1,21	1,21	1,21	1,21	1,21	1,21	1,21
Average gas velocity in tunnel for 10 min interval, m/s	V _s	9,42	9,40	9,42	9,40	9,41	9,39	9,39	9,39	9,4	9,43	9,42	9,38	9,42	9,42	9,44	9,44	9,42	9,44	9,42	9,41
Absolute average gas temperature in tunnel (pitot), K	T _s	296,08	296,08	296,08	296,08	296,08	296,08	296,08	296,08	296,08	296,08	296,08	296,08	296,08	296,08	296,08	296,08	296,08	296,08	296,08	296,08
Absolute average dry gas meter temperature during 10 minute interval, K (probe i)	T _m	293,43	293,51	293,56	293,37	293,40	293,40	293,47	293,48	293,48	293,49	293,47	293,47	293,47	293,401	293,37	293,36	293,33	293,32	293,28	293,211
Actual time when reading, minute	Ø _i	11	10	19	15	10	11	10	10	14	10	11	11	11	11	15	10	10	10	10	11
Results		96	95	96	90	96	101	101	102	109	91	99	103	102	104	100	108	94	101	101	110
Requirement		90-110	90-110	90-110	90-110	90-110	90-110	90-110	90-110	90-110	90-110	90-110	90-110	90-110	90-110	90-110	90-110	91-110	92-110	93-110	94-110
Fail/ok		ok	ok	ok	ok	ok	ok	ok	ok	ok	ok	ok	ok	ok	ok	ok	ok	ok	ok	ok	ok
Requirement 2		80-120	80-120	80-120	80-120	80-120	80-120	80-120	80-120	80-120	80-120	80-120	80-120	80-120	80-120	80-120	80-120	81-120	82-120	83-120	84-120
Fail 2/ok																					

Table 12f. Category II run 1, sampling trains 2 and 3

PROBE 2 and 3 Cat II, run 1, 11-12-2019																					
	Probe 2	Probe 2	Probe 2	Probe 2	Probe 2	Probe 3	Probe 3	Probe 3	Probe 3	Probe 3	Probe 3	Probe 3	Probe 3	Probe 3	Probe 3	Probe 3	Probe 3	Probe 3	Probe 3	Probe 3	Probe 3
	1	2	3	4	5	11	12	13	14	15	16	17	17	17	17	17	17	17	17	17	17
Time total, minute	Ø	61,00	61,00	61,00	61,00	61,00	177	177	177	177	177	177	177	177	177	177	177	177	177	177	177
Gas meter volume of gas sample during 10min interval, m ³	V _m	0,06	0,05	0,09	0,07	0,03	0,0634	0,0485	0,049	0,0735	0,044	0,0525	0,108	0,055	0,0725	0,05	0,0473	0,0482	0,049	0,0485	0,0535
Average gas velocity in tunnel, m/s	V _s	9,42	9,42	9,42	9,42	9,42	9,42	9,42	9,42	9,42	9,42	9,42	9,42	9,42	9,42	9,42	9,42	9,42	9,42	9,42	9,42
Absolute average dry gas meter temperature, K	T _m	293,70	293,70	293,70	293,70	293,70	293,70	293,70	293,70	293,70	293,70	293,70	293,70	293,70	293,70	293,70	293,70	293,70	293,70	293,70	293,70
Absolute average gas temperature in tunnel during 10 minute interval, K (pitot)	T _a	296,03	296,03	296,03	296,03	296,03	296,03	296,43	296,03	296,03	296,23	296,03	296,03	296,03	296,03	296,03	296,03	296,03	296,03	296,03	296,03
Volume of gas sample total, m ³	V _m	0,30	0,30	0,30	0,30	0,30	0,8629	0,8629	0,8629	0,8629	0,8629	0,8629	0,8629	0,8629	0,8629	0,8629	0,8629	0,8629	0,8629	0,8629	0,8629
Average gas velocity in tunnel for 10 min interval, m/s	V _s	9,43	9,42	9,43	9,43	9,43	9,43	9,43	9,43	9,43	9,45	9,44	9,448	9,44	9,44	9,44	9,429	9,44	9,449	9,41	9,41
Absolute average gas temperature in tunnel (pitot), K	T _s	296,08	296,08	296,08	296,08	296,08	296,08	296,08	296,08	296,08	296,08	296,08	296,08	296,08	296,08	296,08	296,08	296,08	296,08	296,08	296,08
Absolute average dry gas meter temperature during 10 minute interval, K (probe i)	T _m	293,46	293,50	293,56	293,63	293,71	293,78	293,814	293,88	293,95	294	294,039	294,063	294,08	294,08	294,07	294,051	294	293,98	293,99	293,93
Actual time when reading, minute	Ø _i	11	10	19	15	6	13	10	10	14	10	11	22	11	15	10	10	10	10	10	11
Results		109	103	95	97	101	100	99	100	107	90	98	100	102	99	102	97	99	100	99	100
Requirement		90-110	90-110	90-110	90-110	90-110	90-110	90-110	90-110	90-110	90-110	90-110	90-110	90-110	90-110	90-110	90-110	90-110	90-110	90-110	90-110
Fail/ok		ok	ok	ok	ok	ok	ok	ok	ok	ok	ok	ok	ok	ok	ok	ok	ok	ok	ok	ok	ok
Requirement 2		80-120	80-120	80-120	80-120	80-120	80-120	80-120	80-120	80-120	80-120	80-120	80-120	80-120	80-120	80-120	80-120	80-120	80-120	80-120	80-120
Fail 2/ok																					



Appendix 5

Table 12g. Category II run 2, sampling train 1

PROBE 1 Cat II run 2, 12-12-2019																				
	i1	i2	i3	i4	i5	i6	i1	i3	i4	i5	i6	i7	i8	i9	i10	i11	i12	i13	i15	i16
Time total, minute	240,00	240,00	240,00	240,00	240,00	240,00	240	240	240	240	240	240	240	240	240	240	240	240	240	240
Gas meter volume of gas sample during 10 min interval, m ³	V _m	0,05	0,05	0,07	0,05	0,05	0,06	0,06	0,05	0,09	0,08	0,05	0,09	0,05	0,05	0,05	0,06	0,08	0,05	0,05
Average gas velocity in tunnel, m/s	V _g	9,37	9,37	9,37	9,37	9,37	9,37	9,37	9,37	9,37	9,37	9,37	9,37	9,37	9,37	9,37	9,37	9,37	9,37	9,37
Absolute average dry gas meter temperature, K	T _m	293,64	293,64	293,64	293,64	293,64	293,64	293,64	293,64	293,64	293,64	293,64	293,64	293,64	293,64	293,64	293,64	293,64	293,64	293,64
Absolute average gas temperature in tunnel during 10 minute interval, K (pitot)	T _g	296,15	296,25	296,35	296,15	296,45	296,15	296,65	296,75	296,75	296,75	296,75	296,75	296,75	296,75	296,75	296,75	296,75	296,75	296,15
Volume of gas sample total, m ³	V _m	1,28	1,28	1,28	1,28	1,28	1,28	1,28	1,28	1,28	1,28	1,28	1,28	1,28	1,28	1,28	1,28	1,28	1,28	1,28
Average gas velocity in tunnel for 10 min interval, m/s	V _g	9,39	9,39	9,40	9,39	9,39	9,40	9,38	9,39	9,4	9,39	9,36	9,35	9,34	9,33	9,34	9,35	9,35	9,35	9,34
Absolute average gas temperature in tunnel (pitot), K	T _g	296,14	296,14	296,14	296,14	296,14	296,14	296,14	296,14	296,14	296,14	296,14	296,14	296,14	296,14	296,14	296,14	296,14	296,14	296,14
Absolute average dry gas meter temperature during 10 minute interval, K (probe i)	T _m	293,50	293,50	293,50	293,50	293,50	293,40	293,40	293,47	293,48	293,48	293,49	293,47	293,47	293,47	293,47	293,47	293,47	293,7	293,7
Actual time when reading, minute	θ _i	10	10	12	10	10	12	10	10	17	15	10	17	10	10	10	12	14	10	10
Results		91	100	108	92	102	101	103	100	100	101	100	101	101	101	101	100	101	100	101
Requirement		90-110	90-110	90-110	90-110	90-110	90-110	90-110	90-110	90-110	90-110	90-110	90-110	90-110	90-110	90-110	90-110	90-110	91-110	92-110
Fail/ok		ok	ok	ok	ok	ok	ok	ok	ok	ok	ok	ok	ok	ok	ok	ok	ok	ok	ok	ok
Requirement 2		80-120	80-120	80-120	80-120	80-120	80-120	80-120	80-120	80-120	80-120	80-120	80-120	80-120	80-120	80-120	80-120	81-120	82-120	84-120
Fail 2/ok																				

Table 12h. Category II run 2, sampling trains 2 and 3

PROBE 2 and 3 Cat II, run 2, 12-12-2019																									
	Probe 2	Probe 2	Probe 2	Probe 2	Probe 2	Probe 2	Probe 3	Probe 3	Probe 3	Probe 3	Probe 3	Probe 3	Probe 3	Probe 3	Probe 3	Probe 3	Probe 3	Probe 3	Probe 3	Probe 3	Probe 3	Probe 3	Probe 3	Probe 3	
	i1	i2	i3	i4	i5	i6	i1	i2	i3	i4	i5	i6	i7	i8	i9	i10	i11	i12	i13	i14	i15	i15	i15	i15	
Time total, minute	60,00	60,00	60,00	60,00	60,00	60,00	178	178	178	178	178	178	178	178	178	178	178	178	178	178	178	178	178	178	
Gas meter volume of gas sample during 10 min interval, m ³	V _m	0,05	0,06	0,07	0,06	0,06	0,05	0,0118	0,059	0,1	0,0883	0,059	0,0555	0,0992	0,059	0,0588	0,0582	0,07	0,082	0,058	0,058	0,058	0,058	0,064	
Average gas velocity in tunnel, m/s	V _g	9,37	9,37	9,37	9,37	9,37	9,37	9,37	9,37	9,37	9,37	9,37	9,37	9,37	9,37	9,37	9,37	9,37	9,37	9,37	9,37	9,37	9,37	9,37	
Absolute average dry gas meter temperature, K	T _m	293,42	293,42	293,42	293,42	293,42	293,42	294,04	294,04	294,04	294,04	294,04	294,04	294,04	294,04	294,04	294,04	294,04	294,04	294,04	294,04	294,04	294,04	294,04	
Absolute average gas temperature in tunnel during 10 minute interval, K (pitot)	T _g	299,34	299,31	299,28	299,31	299,34	299,36	299,33	299,34	299,31	299,11	298,35	298,78	298,88	298,85	298,72	298,65	298,6	297,61	297,68	298,27	298,27	298,27	298,27	
Volume of gas sample total, m ³	V _m	0,35	0,35	0,35	0,35	0,35	1,0428	1,0428	1,0428	1,0428	1,0428	1,0428	1,0428	1,0428	1,0428	1,0428	1,0428	1,0428	1,0428	1,0428	1,0428	1,0428	1,0428	1,0428	
Average gas velocity in tunnel for 10 min interval, m/s	V _g	9,39	9,39	9,40	9,39	9,39	9,40	9,38	9,39	9,40	9,39	9,36	9,35	9,34	9,33	9,34	9,35	9,35	9,35	9,34	9,34	9,37	9,37	9,37	
Absolute average gas temperature in tunnel (pitot), K	T _g	296,14	296,14	296,14	296,14	296,14	296,14	296,14	296,14	296,14	296,14	296,14	296,14	296,14	296,14	296,14	296,14	296,14	296,14	296,14	296,14	296,14	296,14	296,14	
Absolute average dry gas meter temperature during 10 minute interval, K (probe i)	T _m	299,46	299,50	299,56	299,63	299,71	299,76	299,78	299,814	299,88	299,95	294	294,039	294,063	294,08	294,08	294,07	294,051	294	293,98	293,99	293,99	293,99	293,99	
Actual time when reading, minute	θ _i	10	10	12	10	10	8	2	10	17	15	10	10	17	10	10	10	12	14	10	10	10	10	11	
Results		93	102	103	102	102	102	102	102	101	101	102	96	101	102	102	100	101	101	100	100	100	100	100	
Requirement		90-110	90-110	90-110	90-110	90-110	90-110	90-110	90-110	90-110	90-110	90-110	90-110	90-110	90-110	90-110	91-110	92-110	93-110	94-110	95-110	95-110	95-110	95-110	
Fail/ok		ok	ok	ok	ok	ok	ok	ok	ok	ok	ok	ok	ok	ok	ok	ok	ok	ok	ok	ok	ok	ok	ok	ok	
Requirement 2		80-120	80-120	80-120	80-120	80-120	80-120	80-120	80-120	80-120	80-120	80-120	80-120	80-120	80-120	80-120	80-120	80-120	80-120	80-120	80-120	80-120	80-120	80-120	
Fail 2/ok																									

Appendix 5

Table 12i. Retest Category I, sampling train 1

PROBE 1, Cat 1, run 1, 03-04-2021																										
	i1	i2	i4	i5	i6	i7	i8	i9	i10	i11	i12	i13	i14	i15	i16	i17	i18	i19	i20	i21	i22	i23	i24	i25		
Time total, minute	θ	240,00	240,00	240,00	240,00	240,00	240,00	240,00	240,00	240,00	240,00	240,00	240,00	240,00	240,00	240,00	240,00	240,00	240,00	240,00	240,00	240,00	240,00	240,00		
Gas meter volume of gas sample during 10 min interval, m ³	V _{mi}	0,05	0,05	0,06	0,06	0,06	0,06	0,06	0,06	0,06	0,06	0,06	0,06	0,06	0,06	0,06	0,06	0,06	0,06	0,06	0,06	0,06	0,06	0,06		
Average gas velocity in tunnel, m/s	V _g	8,012	8,012	8,012	8,012	8,012	8,012	8,012	8,012	8,012	8,012	8,012	8,012	8,012	8,012	8,012	8,012	8,012	8,012	8,012	8,012	8,012	8,012	8,012		
Absolute average dry gas meter temperature, K	T _{mi}	293,245	293,245	293,245	293,245	293,245	293,245	293,245	293,245	293,245	293,245	293,245	293,245	293,245	293,245	293,245	293,245	293,245	293,245	293,245	293,245	293,245	293,245	293,245		
Absolute average gas temperature in tunnel during 10 minute interval, K (pitot)	T _{pi}	342,38	342,47	342,56	342,62	342,69	342,83	343,00	343,20	343,34	343,48	343,65	343,69	343,70	343,76	343,77	343,82	343,94	344,04	344,06	344,19	344,25	344,34	344,44	344,56	
Volume of gas sample total, m ³	V _m	1,40	1,40	1,40	1,40	1,40	1,40	1,40	1,40	1,40	1,40	1,40	1,40	1,40	1,40	1,40	1,40	1,40	1,40	1,40	1,40	1,40	1,40	1,40		
Average gas velocity in tunnel for 10 min interval, m/s	V _{gi}	8,04	8,03	8,02	8,02	8,02	8,00	8,01	8,01	8,00	8,00	8,01	8,00	8,00	8,00	8,00	7,99	8,00	8,01	8,01	8,01	8,01	8,02	8,04	8,04	8,03
Absolute average gas temperature in tunnel (pitot), K	T _i	343,53	343,53	343,53	343,53	343,53	343,53	343,53	343,53	343,53	343,53	343,53	343,53	343,53	343,53	343,53	343,53	343,53	343,53	343,53	343,53	343,53	343,53	343,53	343,53	
Absolute average dry gas meter temperature during 10 minute interval, K (probe i)	T _{mi}	292,67	292,73	292,78	292,85	292,91	292,97	293,03	293,09	293,14	293,19	293,25	293,28	293,32	293,36	293,39	293,42	293,46	293,50	293,53	293,56	293,58	293,61	293,63	293,64	
Actual time when reading, minute	θ _i	10	10	10	10	10	10	10	10	10	10	10	10	10	10	10	10	10	10	10	10	10	10	10	10	
Results		91	90	97	102	102	102	102	102	102	102	101	102	102	101	101	101	101	100	100	100	100	100	99	100	
Requirement		90-110	90-110	90-110	90-110	90-110	90-110	90-110	90-110	90-110	90-110	90-110	90-110	90-110	90-110	90-110	90-110	90-110	90-110	90-110	90-110	90-110	90-110	90-110	90-110	
Fail/ok		OK	OK	OK	OK	OK	OK	OK	OK	OK	OK	OK	OK	OK	OK	OK	OK	OK	OK	OK	OK	OK	OK	OK	OK	
Requirement 2		80-120	80-120	80-120	80-120	80-120	80-120	80-120	80-120	80-120	80-120	80-120	80-120	80-120	80-120	80-120	80-120	80-120	80-120	80-120	80-120	80-120	80-120	80-120	80-120	
Fail 2/ok																										

Table 12j. Retest Category I, sampling trains 2 and 3

PROBE 2+3, Cat 1, run 1, 04-03-2021																									
	Probe2	Probe2	Probe2	Probe2	Probe2	Probe2	Probe3	Probe3	Probe3	Probe3	Probe3	Probe3	Probe3	Probe3	Probe3	Probe3	Probe3	Probe3	Probe3	Probe3	Probe3	Probe3	Probe3	Probe3	Probe3
	i1	i2	i4	i5	i6	i7	i8	i9	i10	i11	i12	i13	i14	i15	i16	i17	i18	i19	i20	i21	i22	i23	i24	i25	
Time total, minute	θ	60,00	60,00	60,00	60,00	60,00	178,67	178,67	178,67	178,67	178,67	178,67	178,67	178,67	178,67	178,67	178,67	178,67	178,67	178,67	178,67	178,67	178,67	178,67	
Gas meter volume of gas sample during 10 min interval, m ³	V _{mi}	0,06	0,06	0,06	0,06	0,06	0,05	0,06	0,06	0,06	0,06	0,06	0,06	0,06	0,06	0,06	0,06	0,06	0,06	0,06	0,06	0,06	0,06	0,06	
Average gas velocity in tunnel, m/s	V _g	8,019	8,019	8,019	8,019	8,019	8,009	8,009	8,009	8,009	8,009	8,009	8,009	8,009	8,009	8,009	8,009	8,009	8,009	8,009	8,009	8,009	8,009	8,009	
Absolute average dry gas meter temperature, K	T _{mi}	292,828	292,828	292,828	292,828	292,828	293,346	293,346	293,346	293,346	293,346	293,346	293,346	293,346	293,346	293,346	293,346	293,346	293,346	293,346	293,346	293,346	293,346	293,346	
Absolute average gas temperature in tunnel during 10 minute interval, K (pitot)	T _{pi}	342,38	342,47	342,56	342,62	342,69	342,83	343,01	343,20	343,34	343,48	343,65	343,69	343,70	343,76	343,77	343,82	343,94	344,04	344,06	344,19	344,25	344,34	344,44	344,56
Volume of gas sample total, m ³	V _m	0,36	0,36	0,36	0,36	0,36	1,06	1,06	1,06	1,06	1,06	1,06	1,06	1,06	1,06	1,06	1,06	1,06	1,06	1,06	1,06	1,06	1,06	1,06	
Average gas velocity in tunnel for 10 min interval, m/s	V _{gi}	8,04	8,03	8,02	8,02	8,02	8,01	8,01	8,00	8,00	8,01	8,00	8,00	8,00	8,00	7,99	8,00	8,01	8,01	8,01	8,01	8,02	8,04	8,04	8,03
Absolute average gas temperature in tunnel (pitot), K	T _i	342,59	342,59	342,59	342,59	342,59	343,85	343,85	343,85	343,85	343,85	343,85	343,85	343,85	343,85	343,85	343,85	343,85	343,85	343,85	343,85	343,85	343,85	343,85	
Absolute average dry gas meter temperature during 10 minute interval, K (probe i)	T _{mi}	292,70	292,75	292,81	292,86	292,90	292,95	293,00	293,05	293,11	293,16	293,20	293,24	293,28	293,32	293,36	293,38	293,42	293,46	293,48	293,51	293,53	293,55	293,56	293,58
Actual time when reading, minute	θ _i	10	10	10	10	10	8,67	10	10	10	10	10	10	10	10	10	10	10	10	10	10	10	10	10	10
Results		102	99	100	99	100	100	101	101	100	100	101	100	101	100	100	100	100	100	100	100	99	98	99	99
Requirement		90-110	90-110	90-110	90-110	90-110	90-110	90-110	90-110	90-110	90-110	90-110	90-110	90-110	90-110	90-110	90-110	90-110	90-110	90-110	90-110	90-110	90-110	90-110	90-110
Fail/ok		OK	OK	OK	OK	OK	OK	OK	OK	OK	OK	OK	OK	OK	OK	OK	OK	OK	OK	OK	OK	OK	OK	OK	OK
Requirement 2		80-120	80-120	80-120	80-120	80-120	80-120	80-120	80-120	80-120	80-120	80-120	80-120	80-120	80-120	80-120	80-120	80-120	80-120	80-120	80-120	80-120	80-120	80-120	80-120
Fail 2/ok																									

Appendix 6

Weight from filter, gasket and rinse

The tables below show the results from the filter, gasket and rinse weighting. The filters and gasket have been weighted in pairs. The underlined values have been used in the calculation.

Table 13 a: Filter weights.

	Filter nr. Probe nr.	Pre-weight 1 g (date, RH %)	Pre-weight 2 g (date, RH %)	Post-weight 1 g (date, RH %)	Post-weight 2 g (date, RH %)
IV Run 1	AF1 (filter)	0.08360 (06/12/19, 35)	<u>0.08360</u> (09/12/19, 30)	0.08360 (10/12/19, 32)	<u>0.08359</u> (11/12/19, 32)
IV Run 1	F1, probe 1 (front+back)	0.16515 (06/12/19, 35)	<u>0.16513</u> (09/12/19, 30)	0.16428 (10/12/19, 32)	<u>0.16426</u> (10/12/19, +6 h, 32)
IV Run 1	F2, probe 2 (front+back)	0.16670 (06/12/19, 35)	<u>0.16669</u> (09/12/19, 31)	0.16621 (10/12/19, 30)	<u>0.16626</u> (11/12/20, 32)
IV Run 1	F3, probe 3 (front+back)	0.16613 (06/12/19, 35)	<u>0.16610</u> (09/12/19, 31)	0.16763 (10/12/19, 30)	<u>0.16767</u> (11/12/19, 30)
IV Run 2	AF1 (filter)	0.08384 (20/01/20, 28)	<u>0.08384</u> (21/01/20, 32)	0.08383 (22/01/20, 26)	0.08386 (23/01/20, 22)
IV Run 2	F1, probe 1 (front+back)	0.16708 (20/01/20, 28)	<u>0.16708</u> (21/01/20, 32)	0.16918 (22/01/20, 26)	<u>0.16916</u> (23/01/20, 22)
IV Run 2	F2, probe 2 (front+back)	0.16698 (20/01/20, 28)	<u>0.16698</u> (21/01/20, 32)	0.16745 (22/01/20, 26)	<u>0.16745</u> (23/01/20, 22)
IV Run 2	F3, probe 3 (front+back)	0.16728 (20/01/20, 28)	<u>0.16729</u> (21/01/20, 32)	0.16628 (22/01/20, 26)	<u>0.16625</u> (23/01/20, 22)
III	AF2 (filter)	0.08250 (06/12/19, 35)	<u>0.08248</u> (10/12/19, 22)	0.08250 (11/12/19, 30)	<u>0.08248</u> (12/12/19, 27)
III	F4, probe 1 (front/back)	0.16600 (06/12/19, 35)	<u>0.16599</u> (06/12/19, 22)	0.16669 (11/12/19, 30)	<u>0.16667</u> (12/12/19,27)
III	F5, probe 2 (front/back)	0.16778 (06/12/19, 35)	<u>0.16774</u> (06/12/19, 22)	0.16790 (11/12/19, 30)	<u>0.16790</u> (12/12/19,27)
III	F6, probe 3 (front/back)	0.16981 (06/12/19, 35)	<u>0.16981</u> (06/12/19, 22)	0.17028 (11/12/19, 30)	<u>0.17028</u> (12/12/19,27)
II Run 1	AF3 (filter)	0.08741 (10/12/19, 24)	<u>0.08742</u> (11/12/19, 25)	0.08745 (16/12/19, 31)	<u>0.08744</u> (17/12/19 31)
II Run 1	F7, probe 1 (front/back)	0.17387 (10/12/19, 24)	<u>0.17388</u> (11/12/19, 25)	0.17533 (16/12/19, 28)	<u>0.17534</u> (17/12/19, 31)
II Run 1	F8, probe 2 (front/back)	0.17359 (10/12/19, 24)	<u>0.17361</u> (11/12/19, 25)	0.17391 (17/12/19, 31)	<u>0.17390</u> (23/12/19, 24)
II Run 1	F9, probe 3 (front/back)	0.17291 (10/12/19, 24)	<u>0.17292</u> (11/12/19, 25)	0.17386 (16/12/19, 28)	<u>0.17388</u> (17/12/19, 28)
II Run 2	AF4 (filter)	0.08622 (11/12/19, 27)	<u>0.08623</u> (12/12/19, 29)	0.08627 (16/12/19, 28)	<u>0.08627</u> (17/12/19, 31)
II Run 2	F10, probe 1 (front/back)	0.17227 (11/12/19, 27)	<u>0.17227</u> (12/12/19, 29)	0.17419 (16/12/19, 27)	<u>0.17421</u> (17/12/19, 31)
II Run 2	F11, probe 3 (front/back)	0.17203 (11/12/19, 27)	<u>0.17208</u> (12/12/19, 29)	0.17245 (16/12/19, 27)	<u>0.17246</u> (17/12/19, 31)
II Run 2	F12, probe 2 (front/back)	0.17219 (11/12/19, 27)	<u>0.17221</u> (12/12/19, 29)	0.17386 (16/12/19, 27)	<u>0.17387</u> (17/12/19, 31)

Appendix 6

	Blank filter	0.24935	<u>0.24935</u>	0.24932	0.24931
I Retest	AF1 (filter)	0.09056 (03/03/21, 26)	<u>0.09057</u> (04/03/21, 18)	0.09063 (05/03/21, 14)	<u>0.09064</u> (08/03/21, 10)
I Retest	F1, probe 1 (front+back)	0.18547 (03/03/21, 26)	<u>0.18546</u> (04/03/21, 26)	0.18840 (05/03/21, 14)	<u>0.18840</u> (08/03/21, 10)
I Retest	F2, probe 2 (front+back)	0.18288 (03/03/21, 26)	<u>0.18285</u> (04/03/21, 26)	0.18359 (05/03/21, 14)	<u>0.18352</u> (08/03/21, 10)
I Retest	F3, probe 3 (front+back)	0.18569 (03/03/21, 26)	<u>0.18568</u> (04/03/21, 26)	0.18786 (05/03/21, 14)	<u>0.18781</u> (08/03/21, 10)
	Blank filter	0.18040	<u>0.18040</u>	0.18038	0.18039

Table 13 b: Gasket weights

Test Cat.	Gasket nr. Probe nr.	Pre-weight 1 g (date)	Pre-weight 2 g (date)	Post-weight 1 g (date)	Post-weight 2 g (date)
IV Run 1	AG1 (gasket)	2.50072 (06/12/19)	<u>2.50069</u> (09/12/19)	2.50070 (10/12/19)	<u>2.50074</u> (11/12/19)
IV Run 1	G1, probe 1 (front/back)	4.89165 (06/12/19)	<u>4.89166</u> (09/12/19)	4.89447 (10/12/19)	<u>4.89446</u> (10/12/19, +6 h)
IV Run 1	G2, probe 2 (front/back)	4.36238 (06/12/19)	<u>4.36237</u> (06/12/19)	4.36327 (10/12/19)	<u>4.36319</u> (11/12/19)
IV Run 1	G3, probe 3 (front/back)	4.99757 (06/12/19)	<u>4.99761</u> (06/12/19)	4.99766 (10/12/19)	<u>4.99768</u> (11/12/19)
IV Run 2	AG1 (gasket)	2.50072 (20/01/20)	<u>2.50073</u> (21/01/20)	2.50073 (22/01/20)	<u>2.50070</u> (23/01/20)
IV Run 2	G1, probe 1 (front/back)	4.99754 (20/01/20)	<u>4.99759</u> (21/01/20)	4.99766 (22/01/20)	<u>4.99761</u> (23/01/20)
IV Run 2	G2, probe 2 (front/back)	4.89159 (20/01/20)	<u>4.89163</u> (21/01/20)	4.89169 (22/01/20)	<u>4.89165</u> (23/01/20)
IV Run 2	G3, probe 3 (front/back)	4.36254 (20/01/20)	<u>4.36254</u> (21/01/20)	4.36524 (22/01/20)	<u>4.36517</u> (23/01/20)
III	AG2 (gasket)	2.44549 (06/12/19)	<u>2.44545</u> (10/12/19)	2.44554 (11/12/19)	<u>2.44558</u> (12/12/19)
III	G4, probe 1 (front/back)	5.02661 (06/12/19)	<u>5.02650</u> (10/12/19)	5.02668 (11/12/19)	<u>5.02674</u> (12/12/19)
III	G5, probe 2 (front/back)	4.95004 (06/12/19)	<u>4.94995</u> (10/12/19)	4.95012 (11/12/19)	<u>4.95018</u> (12/12/19)
III	G6, probe 3 (front/back)	5.01204 (06/12/19)	<u>5.01195</u> (10/12/19)	5.01217 (11/12/19)	<u>5.01223</u> (12/12/19)
II Run 1	AG3 (gasket)	2.44606 (06/12/19)	<u>2.44605</u> (10/12/19)	2.44613 (12/12/19)	<u>2.44608</u> (16/12/19)
II Run 1	G7, probe 1 (front/back)	4.31856 (06/12/19)	<u>4.31859</u> (11/12/19)	4.31879 (16/12/19)	<u>4.31881</u> (17/12/19)
II Run 1	G8, probe 2 (front/back)	4.91052 (06/12/19)	<u>4.91057</u> (11/12/19)	4.91063 (17/12/19)	<u>4.91062</u> (23/12/19)
II Run 1	G9, probe 3 (front/back)	4.91444 (06/12/19)	<u>4.91449</u> (11/12/19)	4.91469 (16/12/19)	<u>4.91468</u> (17/12/19)
II	AG4	2.48800	<u>2.48799</u>	2.48803	<u>2.48803</u>

Appendix 6

Run 2	(gasket)	(11/12/19)	(12/12/19)	(16/12/19)	(17/12/19)
II	G10, probe	4.89164	<u>4.89164</u>	4.89167	<u>4.89168</u>
Run 2	1 (front/back)	(11/12/19)	(12/12/19)	(16/12/19)	(17/12/19)
II	G11, probe	4.99763	<u>4.99764</u>	4.99764	<u>4.99765</u>
Run 2	3 (front/back)	(11/12/19)	(12/12/19)	(16/12/19)	(17/12/19)
II	G12, probe	4.36227	<u>4.36224</u>	4.36266	<u>4.36266</u>
Run 2	2 (front/back)	(11/12/19)	(12/12/19)	(16/12/19)	(17/12/19)
	Blank gasket	5.02663	<u>5.02669</u>	5.02668	<u>5.02669</u>
I	AG1	2.50079	<u>2.50082</u>	2.50080	<u>2.50078</u>
Retest	(gasket)	(03/03/21)	(04/03/21)	(05/03/21)	(08/03/21)
I	G1, probe 1	5.02677	<u>5.02682</u>	5.02681	<u>5.02678</u>
Retest	(front/back)	(03/03/21)	(04/03/21)	(05/03/21)	(08/03/21)
I	G2, probe 2	5.01213	<u>5.01217</u>	5.01218	<u>5.01210</u>
Retest	(front/back)	(03/03/21)	(04/03/21)	(05/03/21)	(08/03/21)
I	G3, probe 3	4.95045	<u>4.95047</u>	4.95041	<u>4.95043</u>
Retest	(front/back)	(03/03/21)	(04/03/21)	(05/03/21)	(08/03/21)
	Blank gasket	4.90551	4.90548	4.90546	4.90547

Table 13 c: Probe rinse weights.

Test Cat.	Rinse nr. container Probe nr.	Pre-weight 1 container, g (date)	Pre-weight 2 container, g (date)	Post-weight 1 (cont.+rinse), g (date)	Post-weight 2 (cont.+rinse), g (date)
IV	R1 Probe 1	45.07827 (06/12/19)	<u>45.07845</u> (09/12/19)	45.07840 (10/12/19)	<u>45.07830</u> (11/12/19)
IV	R2 Probe 2	48.85328 (06/12/19)	<u>48.85333</u> (09/12/19)	48.85358 (10/12/19)	<u>48.85365</u> (11/12/19)
IV	R3 Probe 3	41.92178 (06/12/19)	<u>41.92195</u> (09/12/19)	41.92152 (10/12/19)	<u>41.92164</u> (16/12/19)
IV	R1 Probe 1	45.07837 (20/01/20)	<u>45.07885</u> (21/01/20)	45.07909 (24/01/20)	<u>45.07918</u> (24/01/20, +6h)
IV	R2 Probe 2	48.85345 (20/01/20)	<u>48.85378</u> (21/01/20)	48.85416 (24/01/20)	<u>48.85410</u> (24/01/20, +6h)
IV	R3 Probe 3	41.92155 (20/01/20)	<u>41.92189</u> (21/01/20)	41.92247 (24/01/20)	<u>41.92246</u> (24/01/20, +6h)
III	R4 Probe 1	41.59285 (06/12/19)	<u>41.59265</u> (10/12/19)	41.59311 (11/12/19)	<u>41.59300</u> (16/12/19)
III	R5 Probe 2	39.70438 (06/12/19)	<u>39.70420</u> (10/12/19)	39.70458 (11/12/19)	<u>39.70468</u> (17/12/18)
III	R6 Probe 3	46.30949 (06/12/19)	<u>46.30948</u> (10/12/19)	46.30952 (11/12/19)	<u>46.30954</u> (17/12/19)
II	R7 Probe 1	46.84380 (06/12/19)	<u>46.84390</u> (11/12/19)	46.84414 (17/12/19)	<u>48.84425</u> (23/12/19)

Appendix 6

II Run 1	R8 Probe 2	47.94170 (06/12/19)	<u>47.94171</u> (11/12/19)	47.94188 (17/12/19)	<u>47.94188</u> (23/12/19)
II Run 1	R9 Probe 3	46.94288 (06/12/19)	<u>46.94311</u> (11/12/19)	46.94321 (17/12/19)	<u>46.94327</u> (23/12/19)
II Run 2	R10 Probe 1	45.24907 (11/12/19)	<u>45.24916</u> (12/12/19)	45.24943 (16/12/19)	<u>45.24941</u> (17/12/19)
II Run 2	R11 Probe 2	46.06572 (11/12/19)	<u>46.06581</u> (12/12/19)	46.06588 (17/12/19)	<u>46.06602</u> (23/12/19)
II Run 2	R12 Probe 3	45.07869 (11/12/19)	<u>45.07878</u> (12/12/19)	45.07850 (17/12/19)	<u>45.07869</u> (23/12/19)
	Aceton blank	16.07834	<u>16.07839</u>	16.07841	<u>16.07838</u>
I Retest	R1 Probe 1	45.07825 (03/03/21)	<u>45.07824</u> (04/03/21)	45.07893 (05/03/21)	<u>45.07850</u> (08/03/21)
I Retest	R2 Probe 2	48.85388 (03/03/21)	<u>48.85361</u> (04/03/21)	48.85376 (05/03/21)	<u>48.85365</u> (08/03/21)
I Retest	R3 Probe 3	41.92205 (03/03/21)	<u>41.92208</u> (04/03/21)	41.92232 (05/03/21)	<u>41.92226</u> (08/03/21)
	Aceton blank	16.07837	16.07840	16.07841	16.07840

Appendix 7

Technician notes**Logg of retest category I for the boiler Pellematic 56, 04/03/2021**

- Calibrated weight (20 kg) placed on and off the tared scale including boiler: 0,0 kg - 20,1 kg - 0,0 kg.
- Dilution tunnel induced static pressure to the boiler: 8 m/s = 0,3 Pa
- Moisture pellets on dry base: $(972.3-368,8)-(927,7-368,8)/(927,7-368,8)*100=7.98 \%$
- Sampling trains adjusted to a sample flow below 0,007 m³/min

Change of software step by step:

- Switch off the boiler and put the data stick inside the panel and start loading the new software.
- Software update finished and remove the stick
- The boiler went in a shutdown mode and a new start up for the new software
- Wrote in the new software, hour and day and then the new software starts checking that everything is ok.
- Switched off and on the boiler.
- The software recognize it is a 56 kW boiler.
- The boiler was started and checked that it was working ok.

Old software ID: V3.00a 01052019

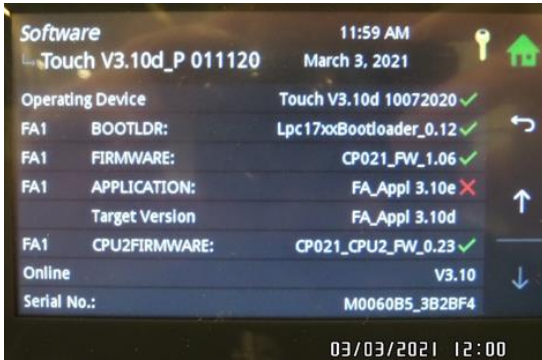
New software ID: V3.10d 10072020

The old software had a lower heat output limit at 30 % of rated output +/- 10 %. The new software has a lower heat output limit of 20 % +/- 10 % of rated output.



Old software V3.00a

Appendix 7



New software V3.10d

Test day Cat I, 04/03/2021

- Air velocity around the boiler: 0,3-0.05 m/s
- Static pressure induced by the draught = 0.2 Pa
- Settings on the boiler: boiler temperature at 70 C.
- Feed rate is automatically set by the boiler



- Pstat in tunnel = 72.6 Pa

Test	Time, computer	Weight (scale), kg	Probe 2 gas meter 202743	Probe 1 gas meter 901070	Probe 3 gas meter 202743	Ambient 200721	barometer/humidity/temp.	Comments
Start boiler	0.00							Calibration 14.00-
Start pre-burn test	62,17	17.25					998 mbar/28 %/20 C	Test category I run 1
Start test (probe 1+2)	182,17	19.57	F2, G2	F1,G1		A1		Stop Probe 2 (1 hour)=242.17 (Gas meter=1502.946 l)
Start test probe 3	243.50				F3/G3			
End test	422.17	11.56					998 mbar/32 %/21 C	432.17-435.17 calibration check

Appendix 7

Comment on the test run:

The target output at Category I was less than 15 % of rated output and the lowest possible burn rate stated by the manufacturer, 20 % +/- 10 % of rated output 191,000 Btu/hr (56 kW). Negative filter weights were found on probe 2 and 3. This was caused by filter material transferring to the O-ring gaskets. No negative filter weights were found. No sampling anomalies was found.. This test run was determined to be valid and appropriate for inclusion in the weighted average.

Feed rate: $(19.57-11.56)/((422.17-182.17)/60)=2.003 \text{ kg/hr}$

Logg Pellematic 56, 2019/2020

- Calibrated weight (20 kg) put on the scale including boiler: 975,7 kg + 20 kg = 995,7 kg
- Dilution tunnel induced static pressure at the boiler: 10 m/s = 0,9 Pa
- Moisture content in pellets on dry fuel base: $(928-369) - (893-369)/ (893-369)*100=6.68 \%$
- Sampling trains adjusted to a sample flow below 0,007 m³/min



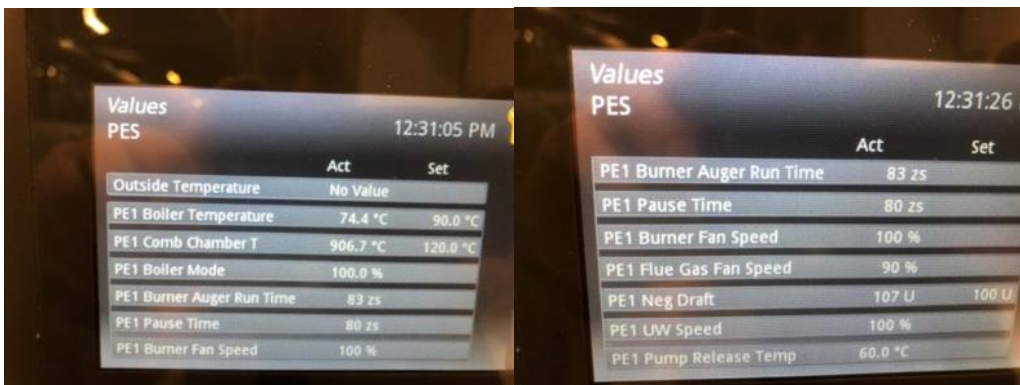
Probe

Filters

Boiler

Test day 1,Cat IV run 1, 2019-12-09

- Air velocity around the appliance: 0 - 0.05 m/s
- Boiler was electrical connected to 220 V and 60 Hz
- Static pressure induced by the draught = 0,9 Pa (at 10 m/s in the dilution tunnel)
- Settings on the boiler: boiler temperature = 72 °C
- Feed rate is automatically set by the boiler.



Appendix 7

- Pstat in tunnel = 107.6 Pa

Test	Time, computer	Weight (scale), kg	Probe 2 (gas meter 202743)	Probe 1 (gas meter 901070)	Probe 3 (gas meter 202743)	Ambient	barometer/humidity/temp.	Comments
Start pre-burn test	10,00 130,00						968mbar/RH 45 %/19 C	Test category IV run 1
Start test 1 (probe 1+2)	130,17	976,85	F2, G2	F1,G1		AF1,AG1		Stop Probe 2 (1 hour)=190,17 Gas volume=0,3235 m ³
Start test probe 3	192,17				F3,G3			
End test	370,17	929,26					965/45 %/20	
Fault occurred	292-300							The boiler stopped suddenly. The boiler was re-started and the test was then completed.

Comment on the test run:

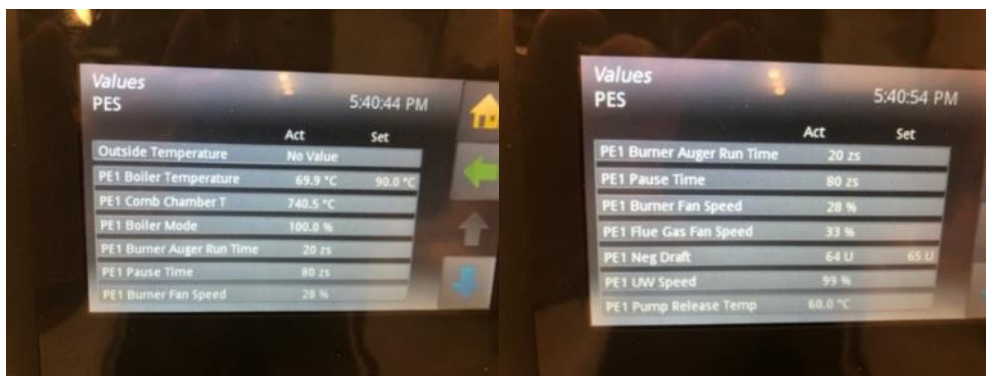
The target output at Category IV was the manufacturer's stated output 191,000 Btu/hr (56 kW). Because of the boiler failure this test was omitted and a new test in Category IV was performed 2020-01-21 (see also figure 2a in appendix 2).

Feed rate: $(976.85-929.26)/((370.17-130.17)/60)=11.898 \text{ kg/hr}$

Test day 2 2019-12-10

Cat III run 1

- Air velocity around the appliance: 0-0.05 m/s
- Static pressure in the chimney induced by the draught = 1.0 Pa
- Settings on the boiler: boiler temperature at 72 C.
- Feed rate is automatically set by the boiler.



- Pstat in tunnel = 107.6 Pa

Appendix 7

Test	Time, computer	Weight (scale), kg	Probe 2 (gas meter 202743)	Probe 1 (gas meter 901070)	Probe 3 (gas meter 202743)	Ambient	barometer/humidity/temp.	Comments
Start pre-burn test	3,17						993/38%/20	Test category III run 1
Start test 1 (probe 1+2)	123,17	977,26	F5,G5	F4,G4		AF2, AG2		Stop Probe 3 (1 hour)=183,17
Start test probe 3	185,17				F6,G6			
End test	363,17	956,26					990/38%/20	

Comment on the test run:

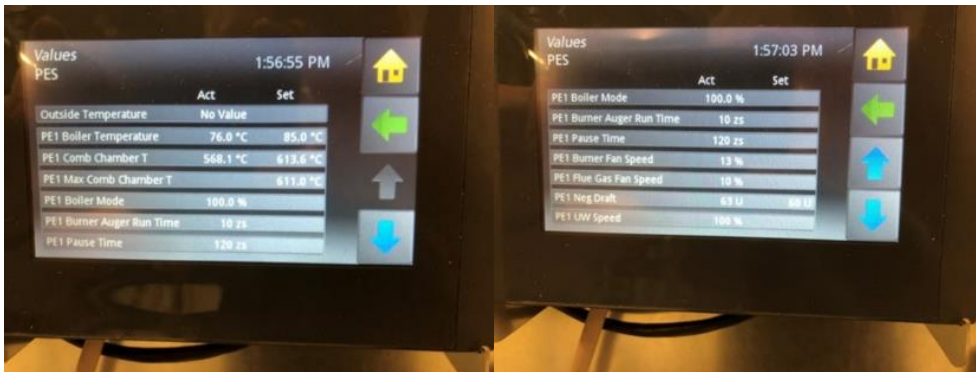
The target output at Category III was 25-50 % of the rated output 191,000 Btu/hr. No negative filter weights were found. No sampling anomalies was found. This test run was determined to be valid and appropriate for inclusion in the weighted average.

Feed rate: $(977.26-956.26)/((363.17-123.17)/60)=5.250$ kg/hr

Test day 3 2019-12-11

Cat II run 1

- Air velocity around the appliance: 0-0.05 m/s
- Static induced by the draught = 1.0 Pa
- Settings on the boiler: boiler temperature at 72 C.
- Feed rate is automatically set by the boiler.



- Pstat in tunnel = 108,8 Pa

Test	Time computer	Weight (scale), kg	Probe 2 (gas meter 202743)	Probe 1 (gas meter 901070)	Probe 3 (gas meter 202743)	(200721) Ambient	barometer/humidity/temp.	Comments
Start pre-burn test 1	0,00	948,48					981 mbar/46 %/21 C	Test category II run 1
Start test 1 (probe 2+3)	120,17	973,56	F8, G8	F7,G7		AG3, AF3		Stop Probe 2 (1 hour) =181,17
Start test probe 3	183,17				F9,G9			
End test 1	360,17	963.48						

Appendix 7

Comment on the test run:

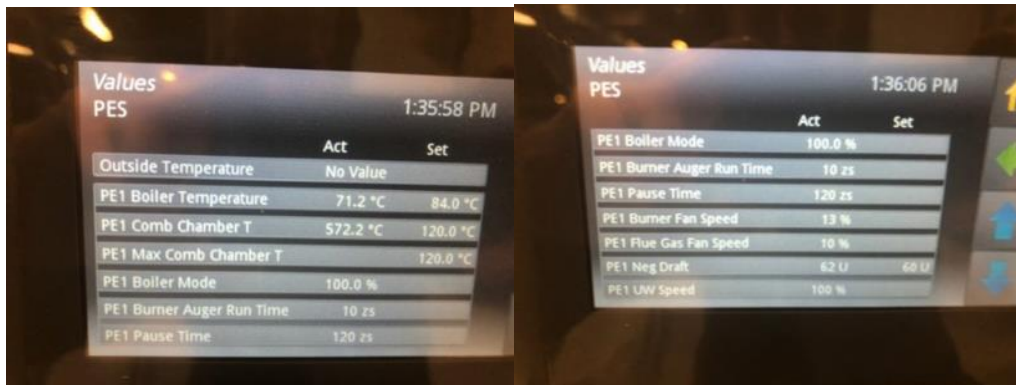
The target output at Category II run 1 was 16-24 % of the manufacturer's stated output 191,000 Btu/hr. No negative filter weights were found. No sampling anomalies were found. This test run was determined to be valid and appropriate for inclusion in the weighted average.

$$\text{Feed rate: } (973.56-963.48)/((360.17-120.17)/60)=2.520 \text{ kg/hr}$$

Test day 4 2019-12-12

Cat II run 2

- Air velocity around the appliance: 0- 0.05 m/s
- Static induced by the draught = 0.9 Pa
- Settings on the boiler: boiler temperature at 72 C.
- Feed rate is automatically set by the boiler.



- Pstat in tunnel = 108.4 Pa

Test	Time, computer	Weight (scale), kg	Probe 2 gas meter 202743	Probe 1 gas meter 901070	Probe 3 gas meter 202743	Ambient 200721	barometer/humidity/temp.	Comments
Start pre-burn test 1	0,00	968.48				AF4, AG4	976 mbar/46 %/19 C	Test category II run 2
Start test 1 (probe 1+2)	120,17	962.97	F11, G11	F10,G10				Stop Probe 2 (1 hour)=180,17
Start test probe 3	182,17				F12,G12			
End test 1	360,17	953.47					978 mbar/45 %/19 C	

Comment on the test run:

The target output at Category II run 2 was 16-24 % of the manufacturer's stated output 191,000 Btu/hr. No negative filter weights were found. No sampling anomalies were found. This test run was determined to be valid and appropriate for inclusion in the weighted average.

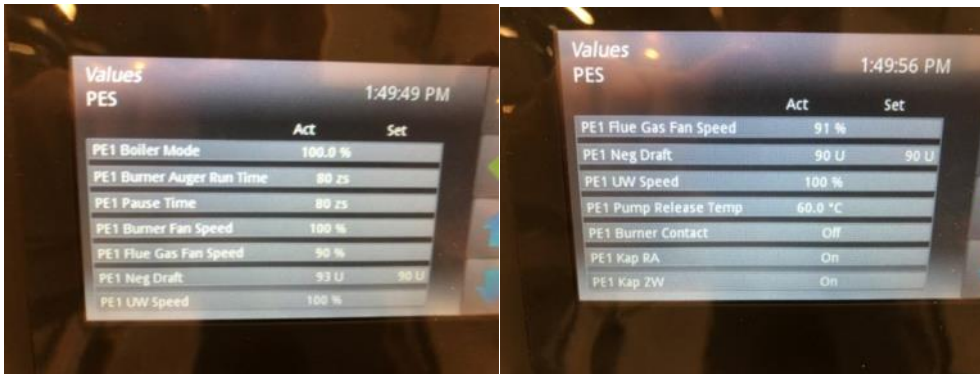
$$\text{Feed rate: } (962.97-953.47)/((360.17-120.17)/60)=2.375 \text{ kg/hr}$$

Appendix 7

Test day 4 (12/12/2019) is replaced by test at category I 04/03/2021

Test day 5, Cat IV run 2, 2020-01-21

- The boiler was retested at category IV because of the failed test in test day 1, 09/12/2020
- Air velocity around the appliance: 0-0.05 m/s
- Static pressure induced by the draught = 0,9 Pa (at 10 m/s in the dilution tunnel)
- Settings on the boiler: boiler temperature = 72 C
- *Feed rate is automatically set by the boiler.*



- Pstat in tunnel = 109.4 Pa

Test	Time computer time	Weight (scale), kg	Probe 2 (gas meter 202743)	Probe 1 (gas meter 901070)	Probe 3 (gas meter 202743)	Ambient	barometer/humidity/temp.	Comments
Start pre-burn test	0,00	966,97					1005mbar/RH 43 %/20 C	Test category IV run 2
Start test 1 (probe 1+2)	120,17	997,48	F2, G2	F1,G1		AF1,AG1		Stop Probe 2 (1 hour)=180,17 Gas volume=0,3368 m ³
Start test probe 3					F3,G3			
End test	360,17	948.25					1003mbar/RH 43 %/20 C	

Comment on the test run:

The target output at Category IV run 2 was the manufacturer's stated output 191,000 Btu/hr (20 kW). Negative filter weights were found on probe 3. This was caused by filter material transferring to the O-ring gaskets. Negative filter is added back into the calculation to prevent transfer weight as being counted as emissions. No other sampling anomalies was found.. This test run was determined to be valid and appropriate for inclusion in the weighted average.

Feed rate: (997.48-948.25)/((360.17-120.17)/60)=12.308 kg/hr

Appendix 8

Instrumentation and uncertainty

Measuring instruments

The designations listed below refer to RISE quality system

Resistance thermometer, PT-100	ETf-QD Db 2
Thermocouple, type K	ETf-QD-Db 3
Water flow meter Valmet 9V-MP150 (load side)	Inv.no. 200 783
Water flow meter Valmet 9V-MP150 (supply side)	Inv.no. 201 655
Data logging system	Inv. no. 202 561
Atmospheric pressure	Inv.no. 701 275
Scale Mettler (filter weighing)	Inv.no. BX7 2435
Particulate sampling equipment (Train 1)	Inv.no. 901 070
Particulate sampling equipment (Train 2, probe 2 and 3)	Inv.no. 202 743
Particulate sampling equipment (ambient)	Inv.no. 200 721
Differential pressure gauge Furness FCO 14 (static pressure)	Inv.no. 200 628
Differential pressure gauge Furness FCO 12 (Dynamic pressure tunnel)	Inv.no. 202 638
Differential pressure gauge Furness FCO 12 (Dynamic pressure tunnel cat I)	Inv.no. 202 747
CO/CO ₂ - analyser XStream (CO 0-2000 ppm)	Inv.no. 901 073
O ₂ -analyser PMA 10	Inv.no. 202 589

Calibration gases

The calibration gases for calibrating the gas analyser were accredited and delivered by Air Liquide. Oxygen calibration was performed at zero and span (21 %) points.

Table 14. Calibration gases

	Concentration	Uncertainty	Id. No.
CO	1742 mol-ppm	1.0 % rel.	NoK9E36
CO ₂	15.89 mol-%	1.0 % rel.	NoK9E36

Appendix 8

Uncertainty of measurement

Table 15. Uncertainty of measurements

	Uncertainty
Temperature difference, load side	± 0.05 °C
Flue gas temperature	± 1 °C
Ambient temperature	± 1 °C
Static pressure in chimney	± 10 %
Liquide flow, load side	± 1 %-of flow
Fuel quantity	± 0.01 kg
PM filter weight	± 0.1 mg
CO-concentration	± 49 ppm
CO ₂ -concentration	± 0.4 %-points
Boiler efficiency ¹	± 2 %-points

¹ Does not include losses in the test rig.

The uncertainty has been calculated according to EA-4/16 with coverage factor k=2

Appendix 9

Test setup

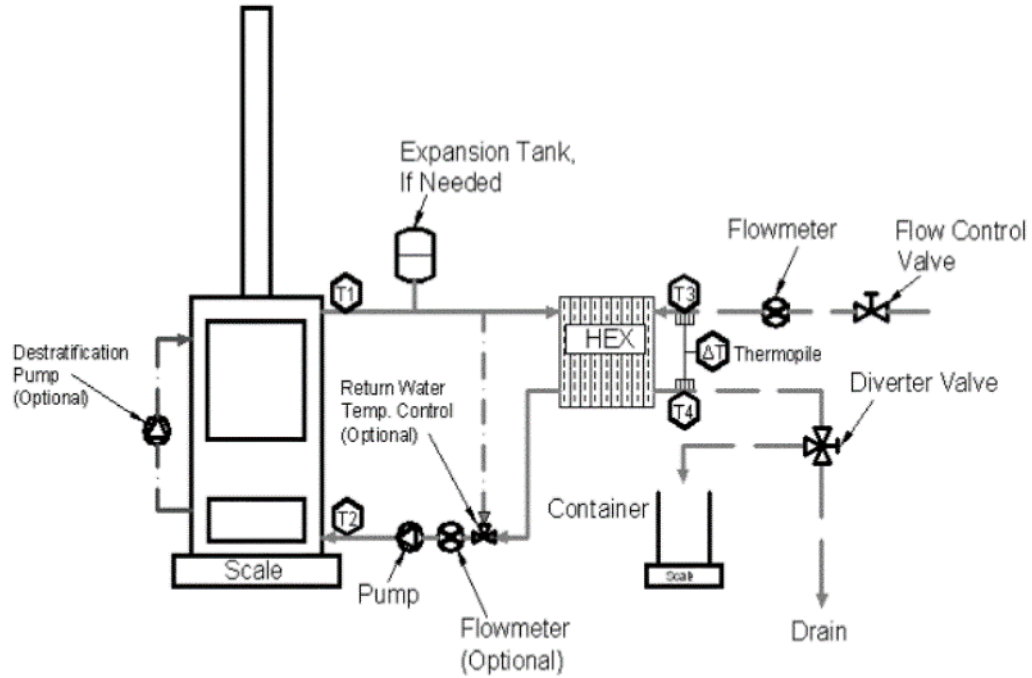


Figure 3a. Test set up

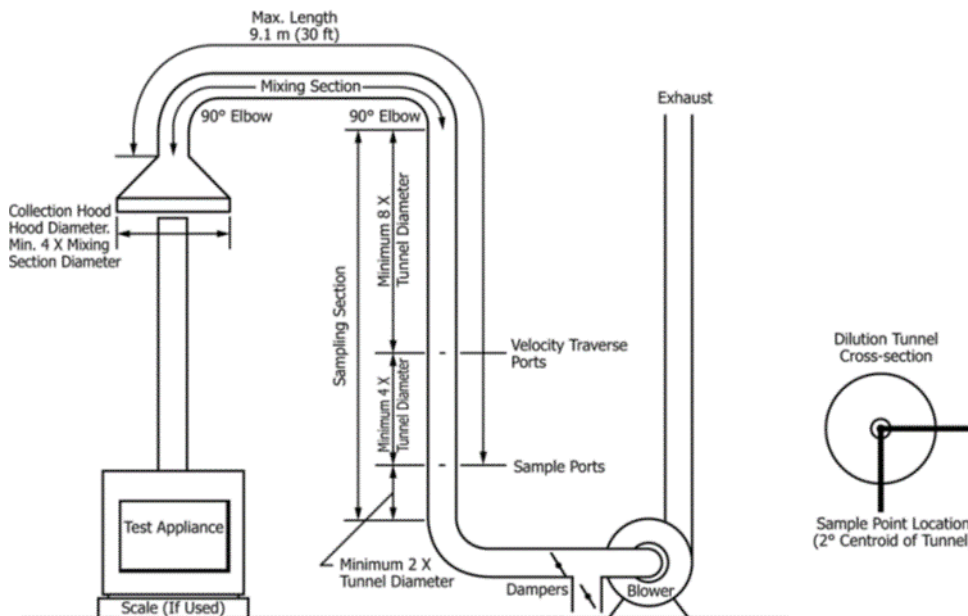


Figure 3b. Dilution tunnel

Appendix 10

Alternative method

UNITED STATES ENVIRONMENTAL PROTECTION AGENCY
RESEARCH TRIANGLE PARK, NC 27711

MAR 06 2018

OFFICE OF
AIR QUALITY PLANNING
AND STANDARDS

Ms. Kelli O'Brien
Lab Manager
ClearStak
99 Canal Street
Putnam, CT 06260

Dear Ms. O'Brien,

I am writing in response to your letter dated March 4, 2018, regarding certification testing of the Nova model wood stove, a prototype single burn rate wood stove manufactured by MF Fire. You are requesting to use alternative test procedures for recovery and preparation of the particulate matter (PM) samples from the front half filter and probe assembly. In particular, you propose use of the acetone probe rinse and filter sample recovery and preparation procedures described in sections 8.7 and 11.0 of Method 5, Determination of Particulate Matter Emissions from Stationary Sources (40 CFR 60, Appendix A), in lieu of the procedures in section 10.2.2 of ASTM E2515-11, Standard Test Method for Determination of Particulate Matter Emissions Collected by a Dilution Tunnel which is required under 40 CFR 60, Subparts AAA and QQQQ.

The difference between the sample recovery and preparation procedures of Method 5 and ASTM E2515-11 is that Method 5 determines PM in the probe and filter assembly by (1) collecting PM in the probe through acetone rinses of the probe, drying down the rinse in beakers, desiccation, followed by weighing and (2) removal of the filter, desiccating, and then weighing, as opposed to ASTM E2515-11 where the entire 100+ gram probe assembly is weighed before and after a test run. We understand that ClearStak typically performs gravimetric analysis of their PM samples (acetone rinses and filters) at an offsite location and not in the wood heater emission testing laboratory to ensure quality low mass (e.g., milligram) measurements uninfluenced by ground vibrations caused by daily operations of testing facilities.

You state that through past experience, you have found that probe PM collected through acetone rinses which are then transported in sample jars offer far less possible sample contamination than handling the front half probe and filter assembly. You propose to collect the acetone rinses after testing according to section 8.7 of Method 5, transport them to your laboratory, then transfer the rinses from the jars to clean and desiccated pre-weighed 100 mL beakers where they are dried down and desiccated according to section 11.2.2 of Method 5, and finally weighed according ASTM E2515-11 in 6-hour intervals until two consecutive weights are achieved within 0.2mg. Likewise, the filters (which were pre-weighed before testing as required in section 8.1.3 of Method 5) are recovered according to section 8.7 of Method 5, transported to the laboratory, desiccated according to section 11.2.1 of Method 5, and weighed according ASTM E2515-11.

We understand ClearStak is requesting to use these alternative procedures for PM recovery, dry down, and desiccation of the front half probe and filter assembly samples for ASTM E2515-11 testing of MF Fire's prototype single burn rate stove, Nova, and for all future ASTM E2515-11 emissions testing of residential wood heaters, hydronic heaters, and forced-air furnaces per 40 CFR Part 60 Subparts AAA and QQQQ.

Appendix 10

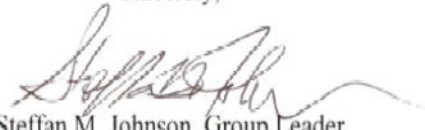
2

With this letter, we are approving your alternative test procedures detailed above in conjunction with ASTM E2515-11 for certification testing of the MF Fire's prototype single burn rate stove, Nova, as well as all wood heaters, hydronic heaters, and forced-air furnaces subject to 40 CFR Part 60 Subpart AAA and QQQQ. A copy of this letter must be included in each certification test report where this alternative test method is utilized.

It is reasonable that this alternative test method approval be broadly applicable to certification testing of all wood heaters, hydronic heaters, and forced-air furnaces subject to the requirements of 40 CFR part 60, Subparts AAA and QQQQ. For this reason, we will post this letter as ALT-126 on our website at <http://www3.epa.gov/ttn/emc/approalt.html> for use by other interested parties. This alternative method approval is valid until such time that Subparts AAA and QQQQ are revised or replaced to require a different certification method, and at such time, this alternative will be reconsidered and possibly withdrawn.

If you have additional questions regarding this approval, please contact Michael Toney of my staff at 919-541-5247 or toney.mike@epa.gov.

Sincerely,



Steffan M. Johnson, Group Leader
Measurement Technology Group

cc: Amanda Aldridge, EPA/OAQPS/OID
Adam Baumgart-Getz, EPA/OAQPS/OID
Rafael Sanchez, EPA/OECA
Michael Toney, EPA/OAQPS/AQAD

Appendix 11

Calibrations

Calibration of barometer



KALIBRERINGSBEVIS Calibration certificate

Kontaktperson RISE
Mattias Ekerind
Energi och cirkulär ekonomi
010-516 58 59
mattias.ekerind@ri.se

Datum Date
2019-11-19
Beteckning Reference
ETk9P00564-K18

Sida
1 (2)



RISE
ETF

Kalibrering av barometer Calibration of barometer

(1 bilaga)

Objekt Object

Instrument: Testo 511 s/n 39101050/707 inv.nr 701 275.
Date of arrival Ankomstdatum: Intern ETF
Condition at arrival Ankomstkick: Utan anmärkning Without remarks
Date of calibration Kalibreringsdatum: 2019-11-19

Mätutrustning Measurement equipment

Manometer: Manometer Druck DPI 260, inv.nr 201637.
Temp. and moisture meter: Temperatur och fuktgivare Vaisala HMT 361, inv.nr BX6 1037.

Omgivning Ambient condition

Atmospheric pressure Atmosfärstryck: $988,6 \pm 5$ hPa
Temperature Temperatur: $22,3 \pm 0,5^\circ\text{C}$
Humidity Luftfuktighet: $31 \pm 5\%$ -rh

Kalibreringsförfarande Calibration method

Kalibreringsobjektet anslöts parallellt med laboratoriereferensen. Vid de olika trycknivåerna avlästes samtidigt referensmanometerns och objektets tryckvisning.
The calibration object was installed parallel to the laboratory reference. The reference manometer and the test object was simultaneous measured at the different pressure levels.
Verkligt värde = avläst värde + korrektion.
Actual value = Measured value + correction.

RISE Research Institutes of Sweden AB

Postadress
Box 857
501 15 BORÅS

Besöksadress
Industrigatan 4
504 62 BORÅS

Tfn / Fax / E-post
010-516 50 00
033-13 19 79
info@rise

Detta dokument får endast återges i sin helhet, om inte RISE
i förväg skriftligen godkänt annat.



Appendix 11

Resultat Results

Kalibreringsresultatet redovisas i tabell 1, samt i diagramform i bilaga 1.
Calibration results are shown in table 1.

Tabell 1. Table 1

Referens Verkligt tryck (mbar)	Objekt		
	Avläst tryck (mbar)	Korrektion (mbar)	Mätosäkerhet (mbar)
1095,2	1100,0	-4,8	±1
1045,1	1050,0	-4,9	±1
995,1	1000,0	-4,9	±1
945,2	950,0	-4,8	±1
895,1	900,0	-4,9	±1
1095,2	1100,0	-4,8	±1
895,1	900,0	-4,9	±1
1095,2	1100,0	-4,8	±1
895,1	900,0	-4,9	±1

Actual pressure

Measured pressure

Correction

Uncertainty

Mätosäkerhet och spårbarhet [See translation below](#)

Samtliga använda instrument har spårbarhet mot riksmätplats eller motsvarande internationell organisation. Den angivna utvidgade mätosäkerheten är produkten av standardmätosäkerhet och täcknings-faktorn $k=2$, som bestäms i enlighet med EA-4/02. Mätosäkerheten relateras enbart till aktuell kalibreringspunkt och tar ingen hänsyn till objektets långtidsstabilitet och hysteres.

RISE Research Institutes of Sweden AB
Energi och cirkulär ekonomi - Hållbara energisystem

Utfört av

Granskat av


Signed by: Mattias Ekerind
I am the author of this document
2019-11-19 13:32:58 +01:00
Signed by: Per Jacobsson
I have reviewed this document
2019-11-19 16:04:02 +01:00

Mattias Ekerind

Per Jacobsson

Bilaga

1 Kalibreringsdiagram.

Traceability of measurement uncertainty

The measurement results are, through regular calibration of all instrument used, traceable to Sweden's national metrology site (RMP) for temperature, voltage and pressure, as well as SP for humidity. The flow standards are traceable to NEL and NIST respectively. The specified expanded measurement uncertainty is the product of standard measurement uncertainty and coverage factor $k=2$, which for a normal distribution corresponds to a coverage probability of approximately 95 %. The standard measurement uncertainty has been determined in accordance with EA-4/02.

RISE Research Institutes of Sweden AB

Appendix 11

Calibration of manometer



KALIBRERINGSBEVIS Calibration Certificate

utfärdad av ackrediterat kalibreringslaboratorium Issued by an accredited laboratory

Kontaktperson RISE

Fredrik Niklasson
Energi och cirkulär ekonomi
010-516 53 94
fredrik.niklasson@ri.se

Datum Date

2019-05-07

Beteckning
ETk9P00564-K02

Sida

1 (3)



Kalibrering

RISE
ETF

Kalibrering av manometer Calibration of a manometer

(1 bilaga)

Objekt Object

Instrument	Furness FCO12 invnr 202638.
Date of arrival	Intern. Internal
Condition at arrival	Utan anmärkning Without remarks
Date of calibration	Kalibreringsdatum: 2019-05-07

Mätutrustning Measuring equipment

Manometer	Manometer Furness PPC500 inv.nr 202 521.
Temp. and moisture sensor	Temperatur och fuktgivare Vaisala HMT 361, inv.nr BX6 1037.
Barometer	Barometer Druck PACE1000, inv.nr 902 243.

Omgivning Ambient

Atmospheric pressure	Atmosfärstryck: 985 ± 5 hPa
Temperature	Temperatur: 22,1 ± 0,5°C
Humidity	Luftfuktighet: 29 ± 5%-rh

Kalibreringsförfarande Calibration method

Kalibreringen är utförd enligt SP-Metod 3635, utgåva 2. Calibration is performed according to SP-method 3635, revision 2

Resultat Results

Givaren placerades horisontellt under kalibreringen. The sensor was horizontally installed during calibration
Kalibreringsresultatet redovisas i tabell 1 och 2, samt i diagramform i bilaga 1.
Calibration results are shown in table 1 and 2, and in diagram

Verkligt värde = avläst värde + korrektion.
Actual value = measured value + correction

RISE Research Institutes of Sweden AB

Postadress Box 857 501 15 BORÅS	Besöksadress Brinellgatan 4 504 62 BORÅS	Tfn / Fax / E-post 010-516 50 00 033-13 55 02 info@ri.se
---------------------------------------	--	---

Denna rapport får endast återges i sin helhet, om inte utfärdande laboratorium i förväg skriftligen godkänt annat.

Akkrediterat
Kalibrering
ISO/IEC 17025

Appendix 11



KALIBRERINGSBEVIS
 Calibration certificate

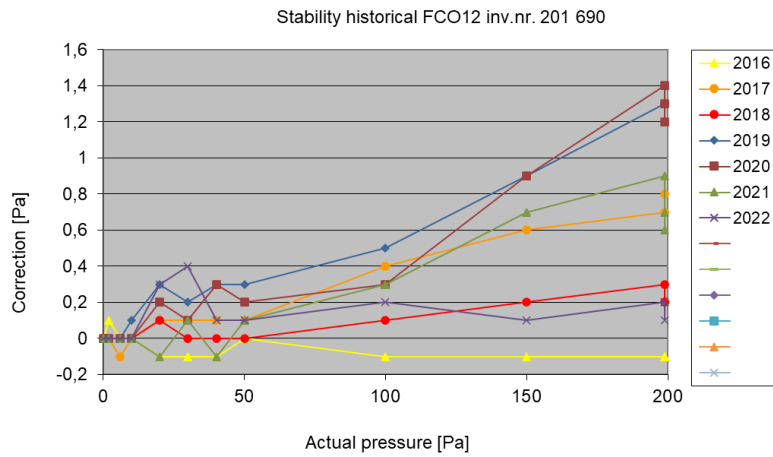
Datum 2019-05-07
 Beteckning ETK9P00564-K02

Sida 2 (3)

Tabell 1. Kalibreringsresultat Mätområde 0- 200 Pa. Table 1. calibration results measuring range 0-200 Pa

Referens Verkligt tryck [Pa]	Reference Actual pressure [Pa]	Objekt Object		
		Avläst tryck [Pa]	Korrektion [Pa]	Mätosäkerhet [Pa]
0,0		0,0	0,0	±0,31
2,0		2,0	0,0	±0,31
6,0		6,0	0,0	±0,31
10,1		10,0	0,1	±0,31
20,3		20,0	0,3	±0,31
30,2		30,0	0,2	±0,31
40,3		40,0	0,3	±0,31
50,3		50,0	0,3	±0,31
100,5		100,0	0,5	±0,31
150,9		150,0	0,9	±0,31
200,3		199,0	1,3	±0,41
0,0		0,0	0,0	±0,31
200,3		199,0	1,3	±0,41
0,0		0,0	0,0	±0,31
200,3		199,0	1,3	±0,41
0,0		0,0	0,0	±0,31

Measured pressure Correction Uncertainty



Appendix 11

Retest category I



KALIBRERINGSBEVIS Calibration Certificate

utfärdad av ackrediterat kalibreringslaboratorium Issued by an accredited laboratory

Kontaktperson RISE	Datum Date	Sida
Mattias Ekerind	2020-09-24	1 (3)
Samhallsbyggnad	Beteckning Reference	
+46 10 516 58 59	104104-ETk20102-K14	
mattias.ekerind@ri.se		

RISE
104102 / ETk

Kalibrering av manometer Calibration of manometer

(1 bilaga)

Objekt Object

Instrument	Instrument:	Furness FCO12 inv.nr. 202747.
Date of arrival	Ankomstdatum:	Intern. Internal
Condition at arrival	Ankomstkick:	Utan anmärkning. Without remarks
Calibration date	Kalibreringsdatum:	2020-09-24.

Mätutrustning Measurement equipment

Manometer	Manometer Furness PPC500 inv.nr 202 521.
Temperature and humidity meter	Temperatur och fuktgivare Vaisala HMT 361, inv.nr BX9 1524.
Barometer	Barometer Druck DPI 260, inv.nr 201 637.

Omgivning Ambient

Atmospheric pressure	Atmosfärstryck:	977 ± 5 hPa
Temperature	Temperatur:	22,9 ± 0,5°C
Humidity	Luftfuktighet:	51 ± 5%-rh

Kalibreringsförfarande Calibration method

Kalibreringen är utförd enligt SP-Metod 3635, utgåva 2. Calibration was performed according to SP-method 3635, edition 2.

Resultat Results

Givaren monterades horisontellt under kalibreringen. The sensor was installed horizontally during calibration. Kalibreringsresultatet redovisas i tabell 1 och 2, samt i diagramform i bilaga 1. Calibration results are presented in table 1 and 2.

Verkligt värde = avläst värde + korrektion.

Actual value = measured value + correction

RISE Research Institutes of Sweden AB

Postadress	Besöksadress	Tfn / Fax / E-post
Box 857	Industrigatan 4	010-516 50 00
501 15 BORÅS	504 62 Borås	033-13 55 02
		info@rise.se

Denna rapport får endast återges i sin helhet, om inte utfärdande laboratorium i förväg skriftligen godkänt annat.

Ackred.nr. 1002
Kalibrering
ISO/IEC 17025

Appendix 11

KALIBRERINGSBEVIS
Calibration certificateDatum Date
2020-09-24
Beteckning Reference
104104-ETk20102-K14Sida
2 (3)

Tabell 1. Kalibreringsresultat 10%-området. Table 1. calibration results 10 %-range

Referens Reference	Objekt Object
Verkligt tryck Actual pressure	Avläst tryck Korrektion Mätosäkerhet
[Pa]	[Pa] [Pa] [Pa]
0,0	0,0 ±0,41
2,0	2,0 ±0,41
6,0	6,0 ±0,41
10,0	10,0 ±0,41
20,0	20,0 ±0,41
30,2	30,0 0,2 ±0,41
40,1	40,0 0,1 ±0,41
50,2	50,0 0,2 ±0,41
100,4	100,0 0,4 ±0,41
150,8	150,0 0,8 ±0,46
199,9	199,0 0,9 ±0,61
0,0	0,0 ±0,41
199,9	199,0 0,9 ±0,61
0,0	0,0 ±0,41
200,0	199,0 1,0 ±0,61
0,0	0,0 ±0,41

Measured pressure Correction Measurement uncertainty

Calibration of manometer



KALIBRERINGSBEVIS Calibration Certificate

utfärdad av ackrediterat kalibreringslaboratorium Issued by an accredited laboratory

Kontaktperson RISE
Mattias Ekerind
Energi och cirkulär ekonomi
010-516 58 59
mattias.ekerind@rise.seDatum Date
2019-09-24
Beteckning Reference
ETk9P00564-K13Sida
1 (3)RISE
ETF

Kalibrering av manometer Calibration of manometer

(1 bilaga)

Objekt Object
Instrument: Furness FCO12 inv.nr. 202747.
Date of arrival Ankomstdatum: Intern Intern
Condition at arrival Ankomstskick: Utan anmärkning Without remarks
Calibration date Kalibreringsdatum: 2019-09-23

Mätutrustning Measuring equipment

Manometer Furness PPC500 inv.nr 202 521.
Temp. and humidity meter Temperatur och fuktgivare Vaisala HMT 361, inv.nr BX9 1524.
Barometer Barometer Druck DPI 260, inv.nr 201637.

Omgivning Ambient

Atmospheric pressure Atmosfärstryck: 998 ± 5 hPa
Temperature Temperatur: 22,8 ± 0,5°C
Humidity Luftfuktighet: 33 ± 5%-rh

Kalibreringsförfarande Calibration method

Kalibreringen är utförd enligt SP-Metod 3635, utgåva 2. Calibration is performed according to SP-method 3635, edition 2.

Resultat Results

Givaren monterades horisontellt under kalibreringen. The sensor was installed horizontally during calibration.
Kalibreringsresultatet redovisas i tabell 1 och 2, samt i diagramform i bilaga 1.
Calibration results are presented in table 1 and 2.Verkligt värde = avläst värde + korrektion.
Actual value = Measured value + correction

RISE Research Institutes of Sweden AB

Postadress Besöksadress
Box 857 Industrigatan 4
501 15 BORÅS 504 62 BORÅS
010-516 5000
033-13 19 79
info@rise.seDen här rapporten är endast giltig om inte
utfärdande laboratoriet i förväg skriftligen godkänt annat.

Appendix 11



KALIBRERINGSBEVIS
 Calibration certificate

Datum Date 2019-09-24
 Beteckning Reference ETK9P00564-K13

Sida 2 (3)

Tabell 1. Table 1
 Kalibreringsresultat 0-200 Pa. Calibration results 0-200 Pa

Referens Reference	Objekt Object		
Verkligt tryck Actual pressure	Avläst tryck	Korrektion	Mätosäkerhet
[Pa]	[Pa]	[Pa]	[Pa]
0,0	0,0	0,0	±0,31
2,0	2,0	0,0	±0,31
5,9	6,0	-0,1	±0,31
10,0	10,0	0,0	±0,31
20,0	20,0	0,0	±0,31
30,1	30,0	0,1	±0,31
40,1	40,0	0,1	±0,31
50,1	50,0	0,1	±0,31
100,3	100,0	0,3	±0,31
150,7	150,0	0,7	±0,31
199,9	199,0	0,9	±0,41
0,0	0,1	-0,1	±0,31
199,9	199,0	0,9	±0,41
0,0	0,1	-0,1	±0,31
200,0	199,0	1,0	±0,41
0,0	0,1	-0,1	±0,31

Measured pressure Correction Uncertainty

Retest category I



KALIBRERINGSBEVIS Calibration certificate

utfärdad av ackrediterat kalibreringslaboratorium Issued by an accredited laboratory

Kontaktperson till Mattias Ekerind Datum Date 2020-11-10 Sida 1 (3)
 Samhällskyggsnad Industriägatan 4 Beteckning Reference 104104-ETK20102-K28
 +46 10 516 58 59 mattsan.ekerind@rise.se

RISE
 104102

Kalibrering av manometer Calibration of manometer
 (1 bilaga)

Objekt Object
 Instrument: Furness FCO14 inv.nr 200628.
 Date of arrival Ankomstdatum: Intern. Internal
 Condition at arrival Ankomstskick: Utan anmärkning. Without remarks
 Date of calibration Kalibreringsdatum: 2020-11-10.

Mätutrustning Measurement equipment
 Manometer Furness PPC500 inv.nr 202 521.
 Temperature and humidity mät: Temperatur och fuktgivare Vaisala HMT 361, inv.nr BX9 1524.
 Barometer Barometer Druck DPI 260, inv.nr 201 637.

Omgivning Ambient
 Atmospheric pressure Atmosfärstryck: 1010 ± 5 hPa
 Temperature Temperatur: 22,8 ± 0,5°C
 Humidity Luftfuktighet: 35 ± 5%rh

Kalibreringsförfarande Calibration method
 Kalibreringen är utförd enligt SP-Metod 3635, utgåva 2. Calibration is performed according to SP-method 3635, edition 2

Resultat Result
 Givaren monterades horisontellt under kalibreringen. The sensor is installed horizontally during calibration.
 Kalibreringsresultatet redovisas i tabell 1, samt i diagramform i bilaga 1.
 Calibration result is shown in table 1
 Verkligt värde = avläst värde + korrektion.
 Actual value = Measured value + correction

RISE Research Institutes of Sweden AB

Postadress Box 857 501 15 BORÅS
 Besöksadress Industriägatan 4 504 42 Borås
 Tel/Fax/E-post 010 516 50 00 033 33 55 02 info@rise.se

Den här rapporten endast återges i sin helhet, om inte utfärdande laboratorium i förväg skriftligen godkännt annat.



Appendix 11

KALIBRERINGSBEVIS
Calibration certificateDatum Date
2020-11-10
Beteckning Reference
104104-ETk20102-K28Sida
2 (3)

Tabell 1. Kalibreringsresultat, negativa tryck i 10%-området. Table 1. calibration result, negative pressure in 10 %-range

Referens Reference	Objekt Object		
Verkligt tryck Actual pressure [Pa]	Avläst tryck [Pa]	Korrektion [Pa]	Mätosäkerhet [Pa]
0,0	0	0,0	±0,71
-20,0	-20	0,0	±0,71
-40,0	-40	0,0	±0,71
-59,9	-60	0,1	±0,71
-80,1	-80	-0,1	±0,71
-100,2	-100	-0,2	±0,71
0,0	0	0,0	±0,71
-100,2	-100	-0,2	±0,71
0,0	0	0,0	±0,71
-100,2	-100	-0,2	±0,71
0,0	0	0,0	±0,71

Measured pressure Correction Measurement uncertainty

Calibration of gas meter in sampling train 1



KALIBRERINGSBEVIS Calibration Certificate

utfärdad av ackrediterat kalibreringslaboratorium Issued by an accredited laboratory

Kontaktperson RISE
Harriet Ståndar
Energi och cirkulär ekonomi
010-516 51 87
harriet.standar@ri.seDatum Date
2019-06-18
Beteckning
ETk9P00564-K07Sida
1 (2)

Kalibrering

RISE
ETF
BORÅS

Kalibrering av gasflödesmätare Calibration of a gas flow meter

(1 bilaga)

Flow meter	Objekt Object	Flödesmätare:	Itron Gallus G4 s/n 0021189014, inv.nr 901070.
Date of arrival	Ankomstdatum:	Intern, internal	
Condition at arrival	Ankomstskick:	Utan anmärkning, Without remarks	
Date of calibration	Kalibreringsdatum:	2019-06-17	

Mätutrustning Measuring equipment

Laminar flow element	Gasflödesmätorr L5, inv.nr 202 885.
Manometer	Manometer Furness FCO510, inv.nr 900 068.
Manometer	Manometer Furness FCO510, inv.nr 900 069.
Thermometer	Termometer Testo 635, inv.nr 900 061.
Barometer	Barometer Druck PACE1000, inv.nr 902 243.
Time watch	Tidtagarur Toppa, inv.nr BX60683.

Omgivning Ambient

Atmospheric pressure	Atmosfärstryck:	999 ± 5 hPa
Temperature	Temperatur:	24,0 ± 0,5°C
Humidity	Luftfuktighet:	41 ± 5%-rh

Kalibreringsförfarande Calibration method

Calibration is performed according to SP-method 2527,

Kalibreringen är utförd enligt SP-metod 2527, version 3, version 3.
Gas sögs genom kalibreringsobjektet, som placerades uppströms referensen. Flödet reglerades med nålventil och gaspump. Gas was drawn through the calibration object which was installed upstream the reference. The flow was controlled by a valve and a gas pump.

Spårbarhet och mätosäkerhet Traceability and measurement uncertainty (see page 2 for translation)

Mätresultaten är genom regelbunden kalibrering av samtliga använda instrument, spårbara till Sveriges riksmätplats (RMP) för temperatur, spänning resp tryck samt RISE för luftfuktighet. Flödesnormalerna är spårbara till NEL resp NIST. Den angivna utvidgade mätosäkerheten är produkten av standardmätosäkerhet och täckningsfaktor $k=2$, vilket för en normalfördelning svarar mot en täckningssannolikhet av ungefär 95%. Standardmätosäkerheten har bestämts i enlighet med EA-4/02. Mätosäkerheten relateras enbart till aktuell kalibreringspunkt och tar ingen hänsyn till objektets långtidsstabilitet och hysteres.

Resultat

Resultatet presenteras i tabell 1, där även mätosäkerhet för korrektionerna i respektive punkt anges. I bilaga 1 redovisas kalibreringsresultaten i diagramform.

The results are presented in table 1 where also the measurement uncertainty for the corrections are given.

RISE Research Institutes of Sweden AB

Postadress
Box 857
501 15 BORÅSBesöksadress
Brimfogelgatan 4
504 62 BORÅSTel / Fax / Epost
010-516 50 00
031-1355 02
info@riseDenna rapport får endast återges i sin helhet, om inte
utfärdande laboratorium i förväg skriftligen godkänt annat.Åkred nr. 1002
Kriterium
ISO/IEC 17025

Appendix 11



KALIBRERINGSBEVIS
Calibration Certificate

Datum 2019-06-18
Beteckning ETK9P00564-K07

Sida 2 (2)

Tabell 1. Kalibreringsresultat. Calibration results

Referens Verkligt flöde	Objekt betingelser			Objekt Object			
	Temperatur [°C]	Gasdensitet [kg/m³]	Avläst volym [l]	Avläst tid [s]	Beräknat flöde [m³/h]	Korrektion [%]	Mätosäkerhet [%]
0,200	24,0	1,166	20,0	362,8	0,198	1,0	± 1,1
0,490	24,0	1,166	40,0	725,4	0,481	1,8	± 0,98
0,985	24,0	1,166	80,0	1450,9	0,967	1,9	± 0,93
1,77	24,0	1,166	160,0	2901,8	1,73	2,4	± 0,92
2,85	24,0	1,166	200,0	3599,9	2,77	2,8	± 0,92

Actual flow Temperature Gas density Measured volume Measured time Calculated flow Correction Uncertainty

Kalibreringsgas: Luft Calibration gas: Air

Angivna gasflöden avser volymflöden in i objektet vid aktuella kalibreringsbetingelser
The gas flow given are the volume flow into the object at the actual calibration condition.

$$\dot{V}_{\text{Beräknat}} = \frac{V_{\text{Avläst}}}{t}$$

$$\dot{V}_{\text{Verkligt}} = \dot{V}_{\text{Beräknat}} \cdot \left(1 + \frac{V_{\text{Korrektion}}}{100}\right)$$

där

$V_{\text{Avläst}}$ Avläst gasvolym Measured gas volume
 t Avläst mättid Measured time
 $\dot{V}_{\text{Beräknat}}$ Beräknat volymflöde Calculated volume flow
 $V_{\text{Korrektion}}$ Korrektion vid beräknat volymflöde Correction at calculated volume flow
 $\dot{V}_{\text{Verkligt}}$ Verkligt volymflöde Actual volume flow

RISE Research Institutes of Sweden AB
Energi och cirkulär ekonomi - Hållbara energisystem

Utfört av

Granskat av

Harriet Standar Signed by: Harriet Standar
I am the author of this document
2019-06-18 11:21:23 +02:00

Fredrik Niklasson Signed by: Fredrik Niklasson
I have reviewed this document
2019-06-18 13:34:18 +02:00

Harriet Standar

Fredrik Niklasson

Bilaga

1 Kalibreringsdiagram

Traceability and measurement uncertainty

The measurement results are, through regular calibration of all instrument used, traceable to Sweden's national metrology site (RMP) for temperature, voltage and pressure, as well as SP for humidity. The flow standards are traceable to NEL and NIST respectively. The specified expanded measurement uncertainty is the product of standard measurement uncertainty and coverage factor k=2, which for a normal distribution corresponds to a coverage probability of approximately 95 %. The standard measurement uncertainty has been determined in accordance with EA-4/02.

RISE Research Institutes of Sweden AB



Appendix 11

Retest category I



KALIBRERINGSBEVIS

Datum
2020-06-08
Beteckning
104104-ETf20101-K12Sida
2 (2)

Resultat

Resultatet presenteras i tabell 1, där även mätosäkerhet för korrektionerna i respektive punkt anges. I bilaga 1 redovisas kalibreringsresultaten i diagramform.

Tabell 1. Kalibreringsresultat. Table 1. Calibration results

Referens	Objekt betingelser			Objekt			
	Verkligt flöde [m ³ /h]	Temperatur [°C]	Gasdensitet [kg/m ³]	Avläst volym [l]	Avläst tid [s]	Beräknat flöde [m ³ /h]	Korrektion [%]
0.201	24.3	1.132	20	365.2	0.197	2.1	± 0.92
0.490	24.2	1.132	40	299.1	0.482	1.8	± 0.92
0.989	24.2	1.132	80	297.2	0.969	2.1	± 0.92
1.76	24.2	1.132	160	334.2	1.72	2.3	± 0.92
2.84	24.2	1.132	200	260.4	2.76	2.8	± 0.92

Actual flow Temperature Gas density Measured volume Measured time Calculated flow Correction Measurement uncertainty

Kalibreringsgas: Luft.

Calibration gas: Air

Angivna gasflöden avser volymflöden in i objektet vid aktuella kalibreringsbetingelser.

The gas flow is volume flow into the object at actual calibration conditions.

$$\dot{V}_{\text{Beräknat}} = \frac{V_{\text{Avläst}}}{t} \quad \text{Measured}$$

$$\dot{V}_{\text{Verkligt}} = \dot{V}_{\text{Beräknat}} \cdot \left(1 + \frac{\dot{V}_{\text{Korrektion}}}{100} \right) \quad \text{Correction}$$

där

$V_{\text{Avläst}}$ Avläst gasvolym Measured gas volume

t Avläst mättid Measured time

$\dot{V}_{\text{Beräknat}}$ Beräknat volymflöde Calculated volume flow

$\dot{V}_{\text{Korrektion}}$ Korrektion vid beräknat volymflöde Correction at calculated volume flow

$\dot{V}_{\text{Verkligt}}$ Verkligt volymflöde Actual volume flow

RISE Research Institutes of Sweden AB
Samhällsbyggnad - Energi och resurser

Utfört av

Granskat av

Fredrik Niklasson
Signed by: Fredrik Niklasson
Reason: Jag är författare till detta dokument
Date & Time: 2020-06-28 09:05:56 +02:00

Fredrik Niklasson

Harriet Standar
Signed by: Harriet Standar
Reason: Jag har granskat det här dokumentet
Date & Time: 2020-06-10 08:47:26 +02:00

Harriet Standar

Appendix 11

Calibration of gas meter in sampling trains 2 and 3



KALIBRERINGSBEVIS Calibration Certificate

utfärdad av ackrediterat kalibreringslaboratorium Issued by an accredited laboratory

Kontaktperson RISE
Harriet Standar
Energi och cirkulär ekonomi
010-516 51 87
harriet.standar@ri.seDatum
2019-06-18
Beteckning
ETk9P00564-K06Sida
1 (2)RISE
ETF
BORÅS

Kalibrering av gasflödesmätare Calibration of gas flow meter

(1 bilaga)

Objekt Object	
Flow meter Flödesmätare:	Actaris G6 RF1 s/n 20749299, inv.nr 202743.
Arrival date Ankomstdatum:	Intern. Intern
Condition at arrival Ankomstsckick:	Utan anmärkning. Without remarks
Date of calibration Kalibreringsdatum:	2019-06-17

Mätutrustning Measuring equipment	
Laminar flow element Gasflödesmät rör L5, inv.nr 202 885.	
Manometer Manometer Furness FCO510, inv.nr 900 068.	
Manometer Manometer Furness FCO510, inv.nr 900 069.	
Thermometer Termometer Testo 635, inv.nr 900 061.	
Barometer Barometer Druck PACE1000, inv.nr 902 243.	
Time watch Tidtagarur Toppa, inv.nr BX60683.	

Omgivning Ambient	
Atmospheric pressure Atmosfärstryck:	999 ± 5 hPa
Temperature Temperatur:	23,7 ± 0,5°C
Humidity Luftfuktighet:	41 ± 5%-rh

Kalibreringsförfarande Calibration method

Kalibreringen är utförd enligt SP-metod 2527, version 3. Calibration is performed according to SP-method 2527, version 3.

Gas sögs genom kalibreringsobjektet, som placerades uppströms referensen. Flödet reglerades med nålventil och gaspump. Gas was drawn through the calibration object which was installed upstream the reference. The flow was controlled by a valve and a gas pump.

Spårbarhet och mätosäkerhet Traceability and measurement uncertainty (see page 2 for translation)

Mätresultaten är genom regelbunden kalibrering av samtliga använda instrument, spårbara till Sveriges riksmätplats (RMP) för temperatur, spänning resp tryck samt RISE för luftfuktighet. Flödesnormalerna är spårbara till NEL resp NIST. Den angivna utvidgade mätosäkerheten är produkten av standardmätosäkerhet och täckningsfaktor $k=2$, vilket för en normalfördelning svarar mot en täcknings sannolikhet av ungefär 95%. Standardmätosäkerheten har bestämts i enlighet med EA-4/02. Mätosäkerheten relateras enbart till aktuell kalibreringspunkt och tar ingen hänsyn till objektets långtidsstabilitet och hysteres.

Resultat Results

Resultatet presenteras i tabell 1, där även mätosäkerhet för korrektonerna i respektive punkt anges. I bilaga 1 redovisas kalibreringsresultaten i diagramform.

The results are presented in table 1 where also the measurement uncertainty for the corrections are given.

RISE Research Institutes of Sweden AB

Postadress Box 857 501 15 BORÅS	Besöksadress Brinellgatan 4 504 62 BORÅS	Tfn / Fax / E-post 010-516 50 00 033-13 55 02 info@rise
---------------------------------------	--	--

Denna rapport får endast återges i sin helhet, om inte utfärdande laboratorium i förväg skriftligen godkännt annat.

Ackred nr. 1002
Kalibrering
ISO/IEC 17025

Appendix 11



KALIBRERINGSBEVIS
Calibration certificate

Datum 2019-06-18
Beteckning ETK9P00564-K06

Sida 2 (2)

Tabell 1. Kalibreringsresultat. Calibration results

Referens			Objekt betingelser		Objekt			Objekt	
Verkligt flöde	Temperatur	Gasdensitet	Avläst volym	Avläst tid	Beräknat flöde	Korrektion	Mätosäkerhet		
[m³/h]	[°C]	[kg/m³]	[l]	[s]	[m³/h]	[%]	[%]		[%]
0.201	23.8	1.167	20.0	351.3	0.205	-1.9	± 1.1		
0.494	23.8	1.167	40.0	286.8	0.502	-1.6	± 0.98		
0.978	23.7	1.167	80.0	290.8	0.991	-1.2	± 0.93		
1.68	23.7	1.167	140.0	297.8	1.69	-0.7	± 0.92		
2.85	23.7	1.167	200.0	253.5	2.84	0.2	± 0.92		

Actual flow Temperature Gas density Measured volume Time Calculated flow Correction Uncertainty

Kalibreringsgas: Luft Calibration gas: Air

Angivna gasflöden avser volymflöden in i objektet vid aktuella kalibreringsbetingelser

The gas flow given are the volume flow into the object at the actual calibration conditions.

$$\dot{V}_{\text{Beräknat}} = \frac{V_{\text{Avläst}}}{t}$$

$$\dot{V}_{\text{Verkligt}} = \dot{V}_{\text{Beräknat}} \cdot \left(1 + \frac{\dot{V}_{\text{Korrektion}}}{100} \right)$$

där

$V_{\text{Avläst}}$ Avläst gasvolym Measured gas volume

t Avläst mättid Measured time

$\dot{V}_{\text{Beräknat}}$ Beräknat volymflöde Calculated volume flow

$\dot{V}_{\text{Korrektion}}$ Korrektion vid beräknat volymflöde Correction at calculated volume flow

$\dot{V}_{\text{Verkligt}}$ Verkligt volymflöde Actual volume flow

RISE Research Institutes of Sweden AB
Energi och cirkulär ekonomi - Hållbara energisystem

Utfört av

Granskat av

Harriet Standar

Signed by: Harriet Standar
I am the author of this document
2019-06-18 11:21:21 +02:00

Fredrik Niklasson

Signed by: Fredrik Niklasson
I have reviewed this document
2019-06-18 13:24:15 +02:00

Harriet Standar

Fredrik Niklasson

Bilaga

1 Kalibreringsdiagram

Traceability and measurement uncertainty

The measurement results are, through regular calibration of all instrument used, traceable to Sweden's national metrology site (RMP) for temperature, voltage and pressure, as well as SP for humidity. The flow standards are traceable to NEL and NIST respectively. The specified expanded measurement uncertainty is the product of standard measurement uncertainty and coverage factor k=2, which for a normal distribution corresponds to a coverage probability of approximately 95 %. The standard measurement uncertainty has been determined in accordance with EA-4/02.

RISE Research Institutes of Sweden AB



Appendix 11

Retest category I

KALIBRERINGSBEVIS
Calibration certificateDatum Date
2020-06-08
Beteckning Reference
104104-ET#20101-K11Sida
2 (2)

Resultat Result

Resultatet presenteras i tabell 1, där även mätosäkerhet för korrektionerna i respektive punkt anges. I bilaga 1 redovisas kalibreringsresultaten i diagramform.

The results are presented in table 1 where also the measurement uncertainty for the corrections are given.

Tabell 1. Kalibreringsresultat. Table 1. calibration results

Referens			Objekt			Objekt		
Verkligt flöde	Temperatur	Gasdensitet	Avläst volym	Avläst tid	Beräknat flöde	Korrektion	Mätosäkerhet	
[m ³ /h]	[°C]	[kg/m ³]	[l]	[s]	[m ³ /h]	[%]	[%]	
0.201	25.0	1.139	20.0	352.6	0.204	-1.6	± 0.92	
0.491	25.1	1.139	40.0	288.9	0.498	-1.5	± 0.93	
0.987	25.1	1.139	80.0	286.5	1.005	-1.8	± 0.92	
1.68	25.2	1.138	140.0	297.1	1.70	-1.2	± 0.92	
2.83	25.2	1.138	200.0	253.9	2.84	-0.2	± 0.92	

Reference Temperature Gas density Measured volume Measured time Calculated flow Correction Measurement uncertainty

Kalibreringsgas: Luft.

Calibration gas: Air

Angivna gasflöden avser volymflöden in i objektet vid aktuella kalibreringsbetingelser.

The gas flow given are the volume flow into the object at the actual calibration conditions.

$$\dot{V}_{\text{Beräknat}} = \frac{V_{\text{Avläst}}}{t}$$

$$\dot{V}_{\text{Verkligt}} = \dot{V}_{\text{Beräknat}} \cdot \left(1 + \frac{V_{\text{Korrektion}}}{100}\right)$$

där

$V_{\text{Avläst}}$ Avläst gasvolym Measured gas volume

t Avläst mättid Measured time

$\dot{V}_{\text{Beräknat}}$ Beräknat volymflöde Calculated volume flow

$V_{\text{Korrektion}}$ Korrektion vid beräknat volymflöde Correction at calculated volume flow

$\dot{V}_{\text{Verkligt}}$ Verkligt volymflöde Actual volume flow

RISE Research Institutes of Sweden AB
Samhällsbyggnad - Energi och resurser

Utfört av

Granskat av

Fredrik Niklasson
Signed by: Fredrik Niklasson
Reason: Jag är författare till det här dokumentet
Date & Time: 2020-06-08 09:57:42 ZST

Fredrik Niklasson

Harriet Standar
Signed by: Harriet Standar
Reason: Jag har granskat det här dokumentet
Date & Time: 2020-06-10 08:44:18 +02:00

Harriet Standar

Appendix 11

Calibration of gas meter for blank probe (ambient)



KALIBRERINGSBEVIS Calibration Certificate

Utfärdad av ackrediterat kalibreringslaboratorium Issued by an accredited laboratory

Kontaktperson RISE
Harriet Ständer
Energi och cirkulär ekonomi
010-516 51 87
harriet.standar@ri.se

Datum
2019-09-20
Beteckning
ETk9P00564-K11

Sida
1 (2)



RISE
ETF
BORÅS

Kalibrering av gasflödesmätare Calibration of gas flow meter

(1 bilaga)

Objekt	Objekt	Schlumberger G1.6 s/n 9844453, inv.nr 200721.
Flow meter	Flödesmätare:	
Date of arrival	Ankomstdatum:	Intern. Internal
Condition at arrival	Ankomstskick:	Utän anmärkning. Without remarks
Date of calibration	Kalibreringsdatum:	2019-09-19

Mätutrustning Measuring equipment

Laminar flow element	Gasflödesmätör L4, inv.nr 202 884.
Laminar flow element	Gasflödesmätör L5, inv.nr 202 885.
Manometer	Manometer Furness FCO510, inv.nr 900 068.
Manometer	Manometer Furness FCO510, inv.nr 900 069.
Thermometer	Termometer Testo 635, inv.nr 900 061.
Barometer	Barometer Druck PACE1000, inv.nr 902 243.
Time watch	Tidtagarur Toppa, inv.nr BX60683.

Omgivning Ambient

Atmospheric pressure	Atmosfärstryck:	1005 ± 5 hPa
Temperature	Temperatur:	22,3 ± 0,5°C
Humidity	Luftfuktighet:	31 ± 5%-rh

Kalibreringsförfarande Calibration method

Calibration is performed according to SP-method 2527.

Kalibreringen är utförd enligt SP-metod 2527, version 3, version 3.

Gas sögs genom kalibreringsobjektet, som placerades uppströms referensen. Flödet reglerades med nålventil och gaspump. Gas was drawn through the calibration object which was installed upstream the reference. The flow was controlled by a valve and a gas pump.

Spårbarhet och mätosäkerhet Traceability and measurement uncertainty (see page 2 for translation)

Mätresultaten är genom regelbunden kalibrering av samtliga använda instrument, spårbara till Sveriges riksmätplats (RMP) för temperatur, spänning resp tryck samt RISE för luftfuktighet. Flödesnormalerna är spårbara till NEL resp NIST. Den angivna utvidgade mätosäkerheten är produkten av standardmätosäkerhet och täckningsfaktor $k=2$, vilket för en normalfördelning svarar mot en täckningssannolikhet av ungefär 95%. Standardmätosäkerheten har bestämts i enlighet med EA-4/02. Mätosäkerheten relateras enbart till aktuell kalibreringspunkt och tar ingen hänsyn till objektets långtidsstabilitet och hysteres.

Resultat Results

Resultatet presenteras i tabell 1, där även mätosäkerhet för korrektonerna i respektive punkt anges. I bilaga 1 redovisas kalibreringsresultaten i diagramform.

The results are presented in table 1 where also the measurement uncertainty for the corrections are given.

RISE Research Institutes of Sweden AB

Postadress
Box 857
501 15 BORÅS

Besöksadress
Briellgatan 4
504 62 BORÅS

Tfn / Fax / E-post
010-516 50 00
033-13 55 02
info@ri.se

Denna rapport får endast återges i sin helhet, om inte utfärdande laboratorium i förväg skriftligen godkänt annat.



Årskontroll 2022
Kalibrering
15018C 17023



Appendix 11



KALIBRERINGSBEVIS
 Calibration Certificate

Datum 2019-09-20
 Beteckning ETK9P00564-K11

Sida 2 (2)

Tabell 1. Kalibreringsresultat. Calibration results

Referens		Objekt betingelser			Objekt Objekt			
Verkligt flöde	Temperatur	Gasdensitet	Avläst volym	Avläst tid	Beräknat flöde	Korrektion	Mätosäkerhet	
[l/min]	[°C]	[kg/m³]	[l]	[s]	[l/min]	[%]	[%]	
0.640	22.2	1.182	6.0	608.5	0.592	8.1	± 2.2	
1.27	22.2	1.182	8.0	392.6	1.22	4.0	± 1.8	
2.60	22.3	1.181	12.0	283.4	2.54	2.3	± 1.4	
5.11	22.4	1.181	20.0	239.9	5.00	2.2	± 1.1	
7.56	22.4	1.181	40.0	236.7	7.35	2.9	± 0.98	
10.1	22.4	1.181	60.0	209.9	9.90	3.5	± 0.94	

Actual flow Temperature Gas density Measured volume Time Calculated flow Correction Uncertainty
 Kalibreringsgas: Luft Calibration gas: Air

Angivna gasflöden avser volymflöden in i objektet vid aktuella kalibreringsbetingelser
 The gas flow given are the volume flow into the object at the actual calibration conditions.

$$\dot{V}_{\text{Beräknat}} = \frac{V_{\text{Avläst}}}{t}$$

$$\dot{V}_{\text{Verkligt}} = \dot{V}_{\text{Beräknat}} \cdot \left(1 + \frac{\dot{V}_{\text{Korrektion}}}{100} \right)$$

där

- $V_{\text{Avläst}}$ Avläst gasvolym Measured gas volume
- t Avläst mättid Measured time
- $\dot{V}_{\text{Beräknat}}$ Beräknat volymflöde Calculated volume flow
- $\dot{V}_{\text{Korrektion}}$ Korrektion vid beräknat volymflöde Correction at calculated volume flow
- $\dot{V}_{\text{Verkligt}}$ Verkligt volymflöde Actual volume flow

RISE Research Institutes of Sweden AB
 Energi och cirkulär ekonomi - Hållbara energisystem

Utfört av Granskat av
 Signed by: Harriet Standar
 Signed by: Fredrik Niklasson
 Harriet Standar Fredrik Niklasson

Bilaga
 1 Kalibreringsdiagram

Traceability and measurement uncertainty
 The measurement results are, through regular calibration of all instrument used, traceable to Sweden's national metrology site (RMP) for temperature, voltage and pressure, as well as SP for humidity. The flow standards are traceable to NEL and NIST respectively. The specified expanded measurement uncertainty is the product of standard measurement uncertainty and coverage factor k=2, which for a normal distribution corresponds to a coverage probability of approximately 95 %. The standard measurement uncertainty has been determined in accordance with EA-4/02.

RISE Research Institutes of Sweden AB



Appendix 11

Calibration of scale

Calibrated weight (20 kg) placed on the scale including boiler: 975,7 kg + 20 kg = 995,7 kg



KALIBRERINGSBEVIS

Calibration certificate

utfärdat av ackrediterat kalibreringslaboratorium

Kontaktperson RISE
Niklas Sund
Kalibrering och Verifiering
010-516 61 20
niklas.sund@ri.seDatum
2018-06-12
Beteckning
KVj1718 062Sida
1 (2)SP ETF
Box 857
501 15 Borås

Kalibrering av våg

Calibration of a scale

Datum Date

Kalibreringen utfördes 2018-06-12 Calibration date

Mätobjekt Measuring object

Analysvåg tillverkad av Mettler Scale manufactured by Mettler
Typ XS205DR. Inv nr BX7 2435.

Vågen har flera belastningsområden med olika skaldelsvärde. different scale values.

	Belastning weight	Skaldel, d	Scale part,
Område nr 1, Största last Max	81 g	0,00001 g	Area nr 1, maximum load
Område nr 2, Största last Max	220 g	0,0001 g	Area 2, maximum load

Uppställningsplats Calibration location

SP ETF 14-1029

Mätmiljö Measurement condition

Vågen var stabil uppställd på vågfundament. Temperatur 22 °C The scale was placed on a stable base.
Temperature 22 C

Mätmetod Measurement method

Kalibrering av våg enligt KVj 18.10 under antagande av referensdensiteten 8000 kg/m³ och att luftens densitet är 1.2 kg/m³. Calibration of scale according to KVj 18.10 under the assumption of reference density 8000 kg/m³ and air density of 1.2 kg/m³.

Spårbarhet Traceability

Mätresultatet är genom regelbunden kalibrering av använda viktnormaler spårbara till riksmätplatsen för massa på SP i Borås. The measurement result is traceable to the following through regular calibration of the weight standards used.
Använd viktsats: Micro2 Weight Kit used: Micro2 National Laboratory for Pulp at SP in Borås.

RISE Research Institutes of Sweden AB

Postadress	Besöksadress	Tfn / Fax / E-post
Box 857	Brinellgatan 4	010-516 50 00
501 15 BORÅS	504 62 BORÅS	033-13 55 02
		info@rise

Laboratorier ackrediteras av Styrelsen för ackreditering och teknisk kontroll (SWEDAC) enligt svensk lag. Denna rapport får endast återges i sin helhet, om inte SP i förväg skriftligen godkänt annat.



Appendix 11



KALIBRERINGSBEVIS

Datum
2018-06-12
Beteckning
KVj1718 062

Sida
2 (2)

Resultat Results

(Resultaten avser endast de föremål som är specificerade i detta dokument) (The results concerns only the objects that are specified in this document)

Före varje belastning har vågen nollställt Before each weight the scale was reset

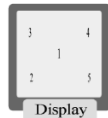
Efter intrinring med vågens inbyggda vikt Adjusted with the scale internal weight

Load	Belastning, g	Avläst på väg, g	Mätosäkerhet, ±g	Uncertainty, +/-
	5	5,00001	0,00001	
	20	20,00002	0,00003	
	40	40,00000	0,00005	
	60	60,00001	0,00006	
	80	80,00005	0,00007	
	150	150,0001	0,0002	
	200	200,0001	0,0002	

Samtliga avlästa värden är angivna som medelvärde baserat på tre mätningar. All readings are given as averages based on three measurements.

Excentriskt placerad last Excentrically placed load

Belastningspunkt	Belastning, g	Avläst på väg, g
1	100	99,9996
2	100	100,0000
3	100	99,9995
4	100	99,9995
5	100	100,0002



Mätosäkerhet

Den angivna utvidgade mätosäkerheten är produkten av standardmätosäkerhet och täckningsfaktorn $k = 2$, vilket för en normalfördelning svarar mot en täcknings sannolikhet av ungefär 95 %. Standardmätosäkerheten har bestämts i enlighet med EAL:s publikation EA-4/02.

The specified expanded measurement uncertainty is the product of the standard measurement uncertainty and the coverage factor $k=2$, which for a normal distribution corresponds to a coverage probability of approximately 95 %. The standard measurement uncertainty has been determined in accordance with EA-4/02.

RISE Research Institutes of Sweden AB
Kalibrering och Verifiering

Utfört av

 Signed by: Niklas Sund
I am the author of this document
2018-06-21 07:40:56 +02:00

Niklas Sund

Kommentar

RISE Research Institutes of Sweden AB

Appendix 11

Retest category I

Calibrated weight (20 kg) placed on and off the tared scale including boiler: 0,0 kg - 20,1 kg - 0,0 kg.

**KALIBRERINGSBEVIS** Calibration Certificate

utfärdat av ackrediterat kalibreringslaboratorium Issued by an accredited laboratory

Kontaktperson RISE
Niklas Sund
Kalibrering och Verifiering
010-516 61 20
niklas.sund@ri.seDatum Date
2020-05-28
Beteckning Reference
105403-1720 356Sida
1 (2)RISE ETF
Box 857
501 15 Borås

Kalibrering av våg Calibration of scale

Datum Date

Kalibreringen utfördes 2020-05-28 Calibration date 2020-05-28

Mätobjekt Measurement object

Analysvåg tillverkad av Mettler Scale manufactured by Mettler.
Typ XS205DR. Serienr B737651894. Inv nr BX7 2435.

Vågen har flera belastningsområden med olika skaldelsvärde. The scale has several load ranges with different resolutions

	Belastning Load	Skaldel, d Resolution
Range 1, max load	Område nr 1, Största last Max 81 g	0,00001 g
Range 2, max load	Område nr 2, Största last Max 220 g	0,0001 g

Uppställningsplats Place of installation

RISE ETF 14-1029

Mätmiljö Measurement environment

Vågen var stabilt uppställd på vågfundament. Temperatur 22 °C The scale was installed on a platform. Temperature 22 °C

Mätmetod Measurement method

Kalibrering av våg enligt KVj 18.11 under antagande av referensdensiteten 8000 kg/m³ och att luftens densitet är 1.2 kg/m³. Calibration of the scale according to KVj 18.11 with the assumption of reference density 8000 kg/m³ and that the air density is 1.2 kg/m³

Spårbarhet Traceability

Mätresultatet är genom regelbunden kalibrering av använda viktnormaler spårbara till riksmätplatsen för massa på SP i Borås. The measurement results are through regular calibration of the used weight references traceable to RMP for mass at SP in Borås.

Använd viktsats: AMP70

Used weights: AMP 70

RISE Research Institutes of Sweden AB

Postadress Box 857
50115 BORÅS
Besöksadress Brinellgatan 4
504 62 BORÅS
Tfn / Fax / E post
010-516 50 00
033-13 55 02
info@rise

Laboratorier ackrediteras av Stryelsen för ackreditering och teknisk kontroll (SWEDAC) enligt svensk lag. Denna rapport får endast återges i sin helhet, om inte SP i förväg skriftligen godkännt annat.



Appendix 11



KALIBRERINGSBEVIS
 Calibration Certificate

Datum Date 2020-05-28
 Beteckning Reference 105403-1720 356

Sida 2 (2)

Resultat Result

(Resultaten avser endast de föremål som är specificerade i detta dokument)
 (The results are only valid for the objects referred to in this document)

Före varje belastning har vågen nollställt Before each load the scale has been zeroed.

Efter intrimning med vågens inbyggda vikt After adjustment with the built in weight

Belastning, g	Avläst på väg, g	Mätosäkerhet, ±g
5	5,00003	0,00003
20	20,00001	0,00007
40	40,00003	0,00007
60	60,00006	0,00007
80	80,00006	0,00010
150	150,0001	0,0002
200	200,0002	0,0003

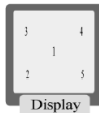
Load, g Measured on the scale Measurement, +/- g

Samtliga avlästa värden är angivna som medelvärde baserat på tre mätningar.
 All the measured values are based on the average of three measurements.

Excentrisk placerad last Excentric placed load

Belastningspunkt	Belastning, g	Avläst på väg, g
1	100	100,0007
2	100	100,0006
3	100	100,0003
4	100	100,0009
5	100	100,0009

Point of load Load, g Measured on the scale, g



Mätosäkerhet Measurement uncertainty

Den angivna utvidgade mätosäkerheten är produkten av standardmätosäkerhet och täckningsfaktorn $k = 2$, vilket för en normalfördelning svarar mot en täcknings sannolikhet av ungefär 95 %. Standardmätosäkerheten har bestämts i enlighet med EAL:s

publikation EA-4/02. The expanded measurement uncertainty is the product of standard measurement uncertainty and coverage factor $k=2$, which for a normal distribution corresponds to a confidence interval of about 95 %. The standard measurement uncertainty is according to EAL's publication EA-4/02.

RISE Research Institutes of Sweden AB
 Kalibrering och Verifiering

Utfört av

Signed by: Niklas Sund
 I am the author of this document
 2020-05-29 09:42:59 +02:00

Niklas Sund



Appendix 11



KALIBRERINGSBEVIS Calibration Certificate

utfärdat av ackrediterat kalibreringslaboratorium

Kontaktperson RISE
Niklas Sund
Kalibrering och Verifiering
010-516 61 20
niklas.sund@ri.seDatum Date
2020-05-29
Beteckning Reference
105403-1720 351Sida
1 (2)RISE ETf
Box 857
501 15 Borås

Kalibrering av våg Calibration of scale

Datum Date

Kalibreringen utfördes 2020-05-28 Calibration performed

Mätobjekt Test object

Golvväg tillverkad av A&D Instruments Scale manufactured by A&D Instruments
Typ AD-4401-EC. Serienr K4418671. KWP01056.Största last, Max Max load
Belastning Load weight Skaldel, d Readable
1500 kg 0,1 kg

Uppställningsplats Place of calibration

Förbränningslab Combustion laboratory

Mätmiljö Measurement environment

Temperatur 21 °C Temperature

Mätmetod Measurement method

Kalibrering av våg enligt KVj 44.10. Begränsad kalibrering 1000kg.
Calibration of scale according to KVj 44.10. Limited calibration to 1000 kg.

Spårbarhet Traceability

Mätresultatet är genom regelbunden kalibrering av använda viktnormaler spårbara till riksmätplatsen för massa på SP i Borås.

The measurement results are through regular calibration with the weight references traceable to RMP for mass at SP in Borås.

Använd viktsats: BV21 samt viktstav V-35, Temperaturinstrument BX82317

Used weights: BV21 and weight V-35, Temperature instrument BX82317

RISE Research Institutes of Sweden AB

Postadress
Box 857
501 15 BORÅSBesöksadress
Brinellgatan 4
504 62 BORÅSTfn / Fax / E-post
010-516 50 00
033-13 55 02
info@ri.se

Laboratorier ackrediteras av Styrelsen för ackreditering och teknisk kontroll (SWEDAC) enligt svensk lag. Denna rapport får endast återges i sin helhet, om inte SP i förväg skriftligen godkänt annat.



Appendix 11



KALIBRERINGSBEVIS
 Calibration Certificate

Datum Date
 2020-05-29
 Beteckning Reference
 105403-1720 351

Sida
 2 (2)

Resultat Result

(Resultaten avser endast de föremål som är specificerade i detta dokument)
 (The results concerns only the object that is specified in this document)

Belastning, kg Weight, kg	Pålastning Avläst på väg, kg	Avlastning Avläst på väg, kg
0	0,0	0,0
20	19,7	19,8
100	98,8	99,3
300	300,3	300,4
500	500,7	500,6
700	700,9	701,0
1000	1000,9	

Excentriskt placerad last Load Measured on scale, kg Off load Measured on scale, kg
Excentric placed load

Belastningspunkt	Belastning, kg	Avläst på väg, kg
1	500	501,2
2	500	500,8
3	500	500,6

Point of calibration Weight load, kg Measured on scale, kg



Repeatability test (Expressed with a higher resolution)

Repetierbarhetsprov (utfört med förhöjd upplösning)

Belastning, nr	Avläst på väg, kg
1	1000,95
2	1001,15
3	1001,05

Load, number Measured on scale, kg

Mätosäkerhet Measurement uncertainty

Den utvidgade mätosäkerheten vid belastningar upp till vågens maxkapacitet beräknas till ±0,4 kg. The expanded measurement uncertainty at the test load up to the max load is calculated to +/- 0.4 kg

Den angivna utvidgade mätosäkerheten är produkten av standardmätosäkerhet och täckningsfaktorn $k = 2$, vilket för en normalfördelning svarar mot en täckningssannolikhet av ungefär 95 %. Standardmätosäkerheten har bestämts i enlighet med EAL:s publikation EA-4/02. The expanded measurement uncertainty is the product of the standard measurement uncertainty and the coverage factor $k=2$, which for a normal distribution corresponds to a confidence interval at about 95 %. The standard measurement uncertainty has been decided according to EAL's publication EA-4/02.

RISE Research Institutes of Sweden AB
 Kalibrering och Verifiering

Utfört av

Signed by: Niklas Sund
 From the author of this document
 2020-05-29 09:42:17 -02:00

Niklas Sund

RISE Research Institutes of Sweden AB



Appendix 11

Calibration of flow meter on load side

FLOW METER:		Valmet 9V MP115		Inv.nr.	200 783		DATE:	2019-08-15		SIGN.:	MJ	
Normal: Flödeskalibrator Inv.nr. 200 083												
TEMP.	PULSES	TIME	MASS	DENSITY	VOLYME	ACTUAL FLOW	NOM. METER-CONSTANT	MEASURED FLOW	CORRECTION	CORRECTION	UNCERTAINTY	NOTES
°C	st	s	kg	kg/m3	dm3	m3/h	pulse/dm3	m3/h	%	m3/h	%	
51,6	290763	601,8	50,14	987,3	50,84	0,304	5760	0,302	0,71	0,0022	0,22	Flying start
50,5	292219	608,5	50,41	987,8	51,08	0,302	5760	0,300	0,69	0,0021	0,22	
50,3	291289	607,6	50,25	987,9	50,92	0,302	5760	0,300	0,68	0,0020	0,22	
						0,303		0,301	0,69	0,0021		
50,3	581910	633,9	100,51	987,9	101,85	0,578	5760	0,574	0,81	0,0047	0,22	Flying start
50,3	582258	634,2	100,57	987,9	101,91	0,578	5760	0,574	0,82	0,0047	0,22	
50,3	583168	635,4	100,72	987,9	102,06	0,578	5760	0,574	0,81	0,0046	0,22	
						0,578		0,574	0,81	0,0047		
50,1	588252	360,3	101,60	988,0	102,95	1,029	5760	1,020	0,80	0,0082	0,28	Flying start
50,3	586293	358,9	101,21	987,9	102,56	1,029	5760	1,021	0,76	0,0077	0,22	
50,4	587286	359,6	101,32	987,9	102,68	1,028	5760	1,021	0,71	0,0072	0,24	
						1,028		1,021	0,76	0,0077		
50,4	591876	249,3	102,14	987,9	103,51	1,495	5760	1,484	0,73	0,0109	0,24	Flying start
50,5	595864	250,9	102,79	987,8	104,17	1,494	5760	1,484	0,70	0,0103	0,26	
50,6	591792	249,5	102,06	987,8	103,43	1,493	5760	1,483	0,67	0,0100	0,23	
						1,494		1,483	0,70	0,0104		
50,6	601561	187,7	103,80	987,8	105,20	2,017	5760	2,003	0,73	0,0145	0,25	Flying start
50,7	597746	186,7	103,09	987,7	104,48	2,014	5760	2,001	0,68	0,0137	0,28	
50,8	598177	186,9	103,23	987,7	104,64	2,016	5760	2,000	0,76	0,0151	0,23	
						2,016		2,001	0,72	0,0144		
50,8	605361	133,1	104,34	987,7	105,75	2,859	5760	2,842	0,62	0,0177	0,22	Flying start
50,8	601273	132,8	103,66	987,7	105,07	2,848	5760	2,829	0,66	0,0185	0,22	
50,9	605178	133,7	104,31	987,7	105,72	2,846	5760	2,828	0,63	0,0177	0,22	
						2,851		2,833	0,64	0,0180		

Uncertainty for the reference is ±0,3% for normal use. See ETL-QD annex DB1.

Flow	correction	Flow	correction
20 °C		20 °C	
0,301	0,69	0,301	0,0021
0,574	0,81	0,574	0,0047
1,021	0,76	1,021	0,0077
1,483	0,70	1,483	0,0104
2,001	0,72	2,001	0,0144
2,833	0,64	2,833	0,0180

Retest category I

FLOW METER:		Valme 9V MP115		Inv.nr.	201 655		DATE:	2020-11-23		SIGN.:	MJ	
Reference: Flow calibrator Inv.nr. 200 083												
TEMP.	PULSE	TIME	MASS	DENSITY	VOLYME	ACTUAL FLOW	NOMINAL METER-CONSTANT	MEASURED FLOW	CORRECTION	CORRECTION	MEASUREMENT UNCERTAINTY	NOTES
°C	st	s	kg	kg/m3	dm3	m3/h	pulse/dm3	m3/h	%	m3/h	%	
50,9	585763	362,4	101,39	987,7	102,77	1,021	5760	1,010	1,06	0,0107	0,00	Flying start
50,7	586511	362,8	101,54	987,7	102,91	1,021	5760	1,010	1,07	0,0108	0,00	
50,5	583856	361,3	101,14	987,8	102,50	1,021	5760	1,010	1,12	0,0113	0,00	
						1,021		1,010	1,08	0,0109		
52,0	588975	247,3	101,89	987,2	103,33	1,504	5760	1,488	1,05	0,0156	0,00	Flying start
51,7	590293	248,1	102,15	987,3	103,58	1,503	5760	1,487	1,08	0,0160	0,00	
51,4	583541	245,5	101,00	987,4	102,40	1,502	5760	1,486	1,08	0,0160	0,00	
						1,503		1,487	1,07	0,0159		
50,4	593834	189,3	102,79	987,9	104,17	1,981	5760	1,960	1,04	0,0204	0,00	Flying start
50,4	597247	190,5	103,45	987,9	104,84	1,981	5760	1,960	1,11	0,0217	0,00	
50,3	591867	188,8	102,48	987,9	103,85	1,980	5760	1,960	1,06	0,0209	0,00	
						1,981		1,960	1,07	0,0210		
50,4	599035	150,6	103,70	987,9	105,09	2,511	5760	2,485	1,05	0,0260	0,00	Flying start
50,5	598047	150,3	103,48	987,9	104,87	2,512	5760	2,487	1,01	0,0250	0,00	
50,6	594999	149,7	102,96	987,8	104,35	2,510	5760	2,485	1,02	0,0252	0,00	
						2,511		2,486	1,02	0,0254		
50,2	605437	130,5	104,86	988,0	106,25	2,931	5760	2,900	1,08	0,0314	0,00	Flying start
50,2	602652	129,9	104,34	988,0	105,72	2,929	5760	2,899	1,05	0,0304	0,00	
50,3	603743	130,1	104,47	987,9	105,87	2,929	5760	2,900	1,00	0,0291	0,00	
						2,930		2,900	1,04	0,0303		
						0,000		0,000	0,00	0,0000		Flying start
						0,000		0,000	0,00	0,0000		
						0,000		0,000	0,00	0,0000		
						0,000		0,000	0,00	0,0000		

Measurement uncertainty for the reference ±0,3% at normal use. See ETL-QD annex DB1.

Flow	Correction	Flow	Correction
20 °C		20 °C	
1,010	1,08	1,010	0,0109
1,487	1,07	1,487	0,0159
1,960	1,07	1,960	0,0210
2,486	1,02	2,486	0,0254
2,900	1,04	2,900	0,0303
0,000	0,00	0,000	0,0000



Appendix 11

Calibration of temperature sensors on load side (PT-100)

Calibration of temperature sensor PT-100					
Instruktion ETVvs 002					
Reference	Calibration object				
Calibration equipment	PT01-VV1				
Calibration date	2019-08-16				
Inv. nr	200 437+200 076+202 108				
Measured temp °C	Correction °C	Actual temp °C	Measured temp °C	Correction °C	Uncertainty °C
29,900	0,092	29,992	30,16	-0,17	±0,07
39,918	0,106	40,024	40,21	-0,19	±0,07
49,873	0,117	49,990	50,19	-0,20	±0,07
59,858	0,128	59,986	60,20	-0,22	±0,07
69,850	0,145	69,995	70,23	-0,24	±0,07
79,845	0,163	80,008	80,26	-0,26	±0,07

Actual temp = Measured temp + correction
Date: 190909
Signature: HP

Calibration of temperature sensor PT-100					
Instruktion ETVvs 002					
Reference	Calibration object				
Calibration equipment	PT04-VV3				
Calibration date	2019-08-16				
Inv. nr	200 437+200 076+202 108				
Measured temp °C	Correction °C	Actual temp °C	Measured temp °C	Correction °C	Uncertainty °C
29,900	0,092	29,992	29,83	0,16	±0,07
39,918	0,106	40,024	39,86	0,16	±0,07
49,873	0,117	49,990	49,82	0,17	±0,07
59,858	0,128	59,986	59,82	0,17	±0,07
69,850	0,145	69,995	69,83	0,17	±0,07
79,845	0,163	80,008	79,85	0,16	±0,07

Actual temp = Measured temp + correction
Date: 190909
Signature: HP

Retest category I

Appendix 11

Calibration of temperature sensor/instrument					
Instruktion EFVvs 002					
Reference			Calibration object		
Kalibreringsbath Heto + Systemteknik S1224 s/n 3841 with sensor 4T1, 4T2, 0401 and 0402. Inv. nr 200 437+200 076+202 108 Calibrated 2019-08-16			PT01-VV1 Data aquisition TIGER chanel 1102 Inv. nr		
Measured temp °C	Correction °C	Actual temp °C	Measured temp °C	Correction °C	Measurement uncertainty °C
29,909	0,092	30,001	30,16	-0,16	±0,07
39,909	0,106	40,015	40,20	-0,19	±0,07
49,886	0,117	50,003	50,21	-0,21	±0,07
59,871	0,128	59,999	60,26	-0,26	±0,07
69,859	0,145	70,004	70,28	-0,28	±0,07
78,853	0,161	79,014	79,28	-0,27	±0,07

Actual temp = Measured temp + Correction
 Date: 2020-12-07
 Signature: HP

Calibration of temperature sensor/instrument					
Instruktion EFVvs 002					
Reference			Calibration object		
Kalibreringsbath Heto + Systemteknik S1224 s/n 3841 with sensor 4T1, 4T2, 0401 and 0402. Inv. nr 200 437+200 076+202 108 Calibrated 2019-08-16			PT04-VV3 Data aquisition TIGER kanal 1103 Inv. nr		
Measured temp °C	Correction °C	Actual temp °C	Measured temp °C	Correction °C	Measurement uncertainty °C
29,909	0,092	30,001	30,03	-0,03	±0,07
39,909	0,106	40,015	40,04	-0,03	±0,07
49,886	0,117	50,003	50,02	-0,02	±0,07
59,871	0,128	59,999	59,98	0,02	±0,07
69,859	0,145	70,004	69,97	0,03	±0,07
78,853	0,161	79,014	79,12	-0,11	±0,07

Actual temp = Measured temp + Correction
 Date: 2020-12-07
 Signature: HP

Appendix 12

Correspondence and manufacturer's instruction to lab**11/03/2021**

Hi Henrick,

ASTM 2618 has a few different summary tables for reporting. You want to be sure that Table 3 Test Condition Summary and Table 4 Test Results Summary have **the results of all of the test runs in it**. Not an averaged value of two tests. If you had a total of 5 tests they all need to be reported. The final emissions value should be reported as well since the rule reports the final emissions value as a non-weighted number. Please make sure that all runs meet the emissions standard.

For the weighting tables in ASTM 2618, we agree you can average the two for the applicable category and report those for the weighting tables. Please make sure to include all run data in the report and please let us know if you have further questions.

Kind regards,

Angelina Brashear

19/11/2020

Mr. Persson, Thank you for your email. Below are the unsealing procedures. Please note #1 under GENERAL; Manufacturers are never allowed to unseal a heater. With that in view, your #1 & 2 options are not feasible as MES cannot unseal the appliance. Regarding option #3, MES would be required to use the tested heater because only a Cat 1 test is being conducted.

You may unseal the above-referenced heater provided you follow the steps below:

General:

1. Manufacturers are never allowed to unseal a heater.
2. Manufacturers must not involve themselves in the conduct of the test after the pretest burn has begun.
3. All communications must be included in the test documentation required to be submitted pursuant to § 60.533(b)(5) or § 60.5475(b)(5) and must be consistent with instructions provided in the owner's manual required under § 60.536(g) or § 60.5478(g), except to the extent that they address details of the certification tests that would not be relevant to owners or regulators.
4. Communications between the manufacturer and laboratory or third-party certifier personnel regarding the wood heater's operation must be limited to written communications transmitted before the first pretest burn of the certification test series.

Specifics:

5. Take color photographs of the unsealed heater. Photos must include the front, top, and side views and must be date stamped.
6. Describe the tasks, tests, or procedures to be performed on the unsealed heater. Any modification to the heater other than the approved software update will require prior EPA approval.
7. The new certification test results will supersede results obtained during the initial certification testing for the above-referenced heater.
8. Upon completion of the new test series, the heater must be resealed with a lab-specific seal in accordance with the 2015 Standards. (60.535(a)(2)(vii)) or § 60.5477(a)(2)(vii).

Appendix 12

9. Provide color photographs of the front, top, and side views of the resealed heater. Photos must be date stamped.
10. Submit the above documentation along with your new performance data, i.e., test report, within 60 days after completion of the test(s).
11. The test report must include the EPA request to perform new tests on the heater, request to unseal the heater, and the EPA response granting the heater's unsealing.

If you need additional information, please let me know.

Rafael Sanchez, EPA

28/10/2020

Dear Henrik and Lennart,

Along with our Office of Compliance and Enforcement we are approving an additional test for the Pellematic 56 boiler, targeted at measuring emissions in Category I as defined by ASTM E-2618-13, and following operating protocols outlined in Section 12.3 of that test method.

No modification of any k-list criteria items is allowed prior to conducting this test, and the only modification allowed to the software control setup is to change the setting, or defeat, the low shutdown setting that will essentially allow the unit to operate in a Category 1 output rate situation. Any other software change that would alter device operations in any other output category as compared to the previous tests already conducted would require a full re-test of all 4 categories.

Please let me know if you have any questions about this.

Furthermore, you **MUST** contact Dr. Rafael Sanchez and request approval and instructions for the un-sealing of the previously tested unit, as well as re-sealing that unit after the testing is complete. Do not unseal the unit until you have received this written permission.

Very sincerely,

Stef Johnson

Appendix 12

Email sent to EPA 26/10/2020 for a request of retesting the boiler Pellematic 56 at category I.



Contact person RISE
 Henrik Persson
 Built Environment
 +46 10 516 55 21
 henrik.persson@ri.se

Date 2020-10-23 Reference Page 1 (1)

US Environmental Protection Agency

Retesting the wood pellet boiler Pellematic 56

Dear Madam, Sir,

The wood pellet boiler Pellematic 56 manufactured by Maine Energy Systems, Bethel, Maine USA has been tested in 2020 by RISE according to ASTM 2618-13 (test report reference 9P07425-1B dated 15/05/2020). During the test the boiler failed to run in the low burn category I. RISE did incorrectly interpret and issued the certificate of conformity on the bases of clause 12.2.12 in ASTM 2618-13 where the boiler were tested twice in category II.

To progress and to get an approved result for the boiler Pellematic 56 the manufacturer Maine Energy System wants to retest their boiler with a new software which will make the boiler capable of running in the low burn category I.

Because of this and to be sure, RISE would like to have a confirmation from EPA if it would be acceptable to only retest the low burn category I and, if this result is shown to fulfil the requirement, add that result to the previously tested category II, III and IV? Or if the boiler Pellematic 56 has to be retested in all four categories (I to IV) in ASTM 2618-13?

The manufacturer, Maine Energy Systems will show RISE that the retested boiler is the same in all respects to the previously tested boiler except for a permanent software change which will permit the boiler to operate in category I.

Yours sincerely,

RISE Research Institutes of Sweden AB
 Built Environment - Energy and Resources



Signed by: Henrik Persson
 Reason: I am the author of this document
 Date & Time: 2020-10-26 08:33:08 +01:00

Henrik Persson
 Test Engineer



Signed by: Martin Tillander
 Reason: I have reviewed this document
 Date & Time: 2020-10-26 08:17:18 +01:00

Martin Tillander
 Director product certification



Appendix 12

Hi Henrik,

Thank you for your December 9, 2019 email to the EPA regarding the MES 56kW pellet boiler. I have consulted with the Office of Air Quality Planning and Standards (OAQPS) regarding your below question. Based on the information provided, your proposal would not be consistent with the 2015 Wood Heater rule definition of a valid certification test. A valid certification test means a test that meets the following criteria:

- (4) The test was conducted in accordance with the test methods and procedures specified in § 60.5476. (see 60.5473).

To that end, RISE should do another test and not use any data from the “stopped” test in determining compliance with the rule. Please keep in mind that any suspended test run should be included in the test report. If you need further discussion, we can set up a call a week from now.

Rafael Sanchez, Ph.D.

Wood Heater Program Lead

Air Branch

Monitoring, Assistance, and Media Programs Division

Office of Compliance

U.S. Environmental Protection Agency (EPA)

Room 7149-D

1200 Pennsylvania Ave., NW

MS:2227A

Washington, DC 20460

202-564-7028

202-564-0050 fax

Teleworking on Mondays and Fridays.

You can reach me at 571-732-2018

The Excel MS EPA Certified Wood Heater List has been retired. The Agency has now developed a new fully searchable [EPA Certified Wood Heater Database](https://www.epa.gov/compliance/epa-certified-wood-heater-database) or <https://www.epa.gov/compliance/epa-certified-wood-heater-database>. Please try it and let us know!

From: Henrik Persson <henrik.persson@ri.se>

Sent: Monday, December 9, 2019 12:41 PM

Appendix 12

To: Toney, Mike <Toney.Mike@epa.gov>; Sanchez, Rafael <Sanchez.Rafael@epa.gov>
Subject: Ongoing test

Hello Mike and Rafael,

As you may be aware RISE is testing the Maine energy Systems 56 kW pellet boiler for the 2020 standard at the moment. Unfortunately we have now had a problem with the boiler which have stopped for approximately 5 minutes with 80 minutes left of the test and I need advice if we can use this test or not. My proposal is to use the emissions data as it is, including the brief interruption. I would like to use 80 minutes of the pre-test run data for calculation the heat output only. Would that be ok for you?

With best regards

Henrik Persson

Research Institutes of Sweden

Built Environment – Energy and circular economy

Engineer



Box 857

50115 Borås

+46 (0)10- 516 55 21

henrik.persson@ri.se

The RISE institutes Invention, SP and Swedish ICT have merged in order to become a stronger research and innovation partner for businesses and society. SP, will continue under its existing Corporate Identity Number 556464-6874. The process of changing business name is under way, but until the amendments are approved and registered by the Swedish Companies Registration Office, we will continue to write quotes, contracts, agreements and other legal documents using the current company name.

Appendix 12

Instruction from manufacturer to laboratory

To: Henrik Parsons
RISE Research Institutes of Sweden
Industrigatan 4, Borås, Sweden
Box 857, SE-501 15 Borås, Sweden
Re: Notice to proceed with testing

From: Leslie Otten, Owner & Chief Executive Officer
Maine Energy Systems, LLC
8 Airport Road/PO Box 547
Bethel, Maine 04217

Mr. Parsons,

Maine Energy Systems wishes RISE Laboratory of Sweden to test our pellet boiler technologies in accordance with the United States Environmental Protection Agency 2020 New Source Performance Standards (NSPS). Please refer to our published owners manual for operating instructions related to system use.

Sincerely,

Leslie B. Otten
Owner & Chief Executive Officer
Maine Energy Systems LLC

Appendix 13

Example calculations

The example calculations has been performed according to ASTM 2515-11 and ASTM 2618-13. The example is taken from the test at category I run 1 dated 04/03/2021.

MC	Moisture content (oven dry method according to ASTM D4442), %
m_n	Total particulate matter collected, mg
$V_{m(std)}$	Volume of gas sampled corrected to standard conditions, dscm
V_s	Average dilution tunnel gas velocity, m/sec
C_s	Particulate concentration, g/dscm
Q_{std}	Dilution tunnel gas flow rate, dscm/min
E_T	Total particulate emissions, grams
PR	Proportional rate variation, %
Q_{in}	Heat input, Btu
Q_{out}	Heat output, Btu
	Heat output, Btu/hr
$E_{g/MJ}$	Emission rate, g/MJ
$E_{lb/MMBtu\ input}$	Emission rate, lb/MMBtu input
$E_{lb/MMBtu\ output}$	Emission rate, lb/MMBtu output
$E_{g/kg}$	Emission rate, g/kg
$E_{g/hr}$	Emission rate, g/hr
η_{del}	Delivered efficiency

Appendix 13

MC -Moisture content

ASTM 2618-13 (12.3.2) refers to ASTM D4442 method A or B for determining the moisture content of the wood pellet fuel.

Method A:

$$\text{MC, \%} = [(A-B)/B] \times 100$$

Where:

A = Original mass, g

B = Oven dry mass, g

$$\text{MC, \%} = (603,5 - 558,9)/558,9 \times 100$$

$$\text{MC, \%} = 7.98 \%$$

 m_n – Total particulate matter collected

ASTM 2515-11 equation (12)

$$m_n = m_p + m_f + m_g$$

where:

m_n = Total particulate matter collected, mg

m_p = mass of particulate from probe, mg

m_f = mass of particulate from filters, mg

m_g = mass of particulate from filter gaskets, mg

Sample calculation train 1:

$$m_n = 0.26 + 2.94 + 0.0$$

$$m_n = 3.20 \text{ mg}$$

Sample calculation train 2:

$$m_n = 0.22 + 2.80 + 0.0$$

$$m_n = 3.02 \text{ mg}$$

Appendix 13

$V_{m(std)}$ – Volume of gas sampled corrected to dry standard conditions, dscf

ASTM 2515-11 equation (6)

$$V_{m(std)} = V_m \times Y \times K_1 \times \frac{P_b + \frac{\Delta H}{13.6}}{T_m}$$

Where:

$K_1 = 0.3855$ K/mm Hg (for inch pound units 17.64 °R/in.Hg)

V_m = Volume of gas sample measured at the dry gas meter, dscm

Y = Dry gas meter calibration factor, dimensionless

P_b = Barometric pressure at the testing site, in mm Hg

ΔH = Average pressure differential across the orifice meter, mm H₂O

T_m = Absolute average dry gas meter temperature, K

Sample calculation train 1:

$$V_{m(std)} = 1,4304 \times 1 \times 0.3855 \times \frac{748.56 + \frac{0}{13.6}}{293.1}$$

$$V_{m(std)} = 1.4083 \text{ dscm (m}^3\text{)}$$

Sample calculation train 2:

$$V_{m(std)} = 1,4052 \times 1 \times 0.3855 \times \frac{748.56 + \frac{0}{13.6}}{293.1}$$

$$V_{m(std)} = 1.3835 \text{ dscm (m}^3\text{)}$$

Sample calculation train ambient:

$$V_{m(std)} = 1,2209 \times 1 \times 0.3855 \times \frac{748.56 + \frac{0}{13.6}}{300.3}$$

$$V_{m(std)} = 1.1732 \text{ dscm (m}^3\text{)}$$

Appendix 13

V_s – Dilution tunnel gas velocity, m/sec

ASTM 2515-11 equation (9)

$$V_s = F_p \times k_p \times C_p \times \sqrt{\Delta P_{avg}} \times \sqrt{\frac{T_s}{P_s \times M_s}}$$

Where:

V_s = Average gas velocity in the dilution tunnel, m/sec

F_p = Adjustment factor for center of tunnel pitot tube placement F_p = V_{strav}/V_{scent}

K_p = pitot tube constant 34.97 m/sec ((g/gxmole)(mmHg)/(K)x(mmwater))

C_p = Standard pitot tube coefficient 0.99 according to ASTM 2515-11 nomenclature 11.2

ΔP = Velocity pressure in the dilution tunnel, mm water

P_s = Absolute average gas static pressure in dilution tunnel, mm Hg

M_s is assumed to be 29 g/g mole according to ASTM 2515-11 nomenclature 11.2

Sample calculation

$$V_s = 0.926 \times 34.97 \times 0.99 \times \sqrt{3.926} \times \sqrt{\frac{296,6}{748.0 \times 29}}$$

V_s = 7.422 m/sec

C_s – Concentration of particulate matter in tunnel gas, dry basis, corrected to standard condition, g/dscm

ASTM 2515-11 equation (13)

$$C_s = K_2 \times \frac{m_n}{V_m(std)}$$

Where:

C_s = Concentration of particulate matter in tunnel gas, dry basis, corrected to standard condition, g/dscm

K₂ = Constant 0.001 g/mg

m_n = Total amount of particulate matter collected, mg

Appendix 13

$V_{m(std)}$ = Volume of gas sample measured by the dry gas meter corrected to standard condition, dscm

Sample calculation:

$$C_s = 0.001 \times \frac{3.20}{1.4083}$$

$$C_s = 0.002272 \text{ g/dscm}$$

Q_{std} - Average gas flow rate in dilution tunnel, dscm/min

ASTM 2515-11 equation (3)

$$Q_{std} = 60 \times (1 - B_{ws}) \times V_s \times A \times \left[\frac{T_{std} \times P_s}{T_s \times P_{std}} \right]$$

Where:

Q_{std} = Average gas flow rate in dilution tunnel, dscm/min

B_{ws} = Water vapor in the gas stream proportion by volume assumed to be 0.02 (2 %) according to ASTM 2515-11 nomenclature 11.2

V_s = Average gas velocity in the dilution tunnel, m/sec

A = Cross sectional area of tunnel, m^2

T_{std} = Standard absolute temperature, 293 K

P_s = Absolute average gas static pressure in dilution tunnel, mm Hg

T_s = Absolute average gas temperature in the dilution tunnel, K

P_{std} = Standard absolute pressure, 760 mm Hg

Sample calculation:

$$Q_{std} = 60 \times (1 - 0.02) \times 7.422 \times 0.020 \times \left[\frac{293 \times 748.0}{296.6 \times 760} \right]$$

$$Q_{std} = 8.544 \text{ dscm/min}$$

E_T – Total particulate emissions, g

ASTM 2515-11 equation (15)

$$E_T = (C_s - C_r) \times Q_{std} \times \Theta$$

Appendix 13

Where:

E_T = Total particulate emission, g

C_s = Concentration of particulate matter in tunnel gas, dry basis, corrected to standard conditions, g/dscm

C_r = Concentration of particulate matter in room air, dry basis, corrected to standard conditions, g/dscm

Q_{std} = Average gas flow rate in dilution tunnel, dscm/min

Θ = Total sampling time

Sample calculation:

Train 1:

$$E_T = (0.002272 - 0.0000597) \times 8.544 \times 240$$

$$E_T = 4.534 \text{ g}$$

Train 2:

$$E_T = (0.00218 - 0.0000597) \times 8.544 \times 239$$

$$E_T = 4.332 \text{ g}$$

Train difference:

$$\text{Train difference} = 0.027 \text{ g/kg}_{dry}$$

$$\text{Max. } 7,5 \% \text{ of the average} = 2,3 \%$$

Q_{in} – Heat input, Btu

ASTM 2618-13 equation (4 and 5)

$$Q_{in} = (W_{fuel}/1 + (MC_{ave}/100)) \times HHV$$

$$Q_{in,LHV} = (W_{fuel}/1 + (MC_{ave}/100)) \times LHV$$

Where:

Q_{in} = Total heat input in test fuel, Btu

W_{fuel} = Fuel charge weight in pounds

MC_{ave} = Fuel moisture content based on dry fuel weight

HHV = Higher heating value, 8600 Btu/lb

LHV = Lower heating value, 7988 Btu/lb

Appendix 13

Sample calculation:

HHV:

$$Q_{in} = (17.6478/1+(7.98/100)) \times 8600$$

$$Q_{in} = 140,555 \text{ Btu}$$

LHV:

$$Q_{in} = (17.6478/1+(7.98/100)) \times 7988$$

$$Q_{in} = 130,553 \text{ Btu}$$

Q_{out} – Heat output, Btu

Test method ASTM 2618-13 equation (7)

$$Q_{out} = [\Sigma(C_p \times \Delta T \times M \times t)] + (W_{app} \times C_{steel} + C_p \times W_{water}) \times (TF_{avg} - TI_{avg})$$

$$M = V_f \times \sigma$$

$$\sigma = (62.56 + (0.0003413 \times T_3) + (-0.00006225 \times T_3)) \times 0.1337$$

$$C_p = 1.0014 + (-0.00003485 \times T_3)$$

Where:

C_p = specific heat of water, Btu/lb °F

C_{steel} = Specific heat of steel, Btu/lb °F

ΔT = Temperature difference between water entering and exiting the heat exchanger, °F

M = Mass flow rate of water, lb/min

t = data sampling time , minutes

W_{app} = Weight of empty appliance , lbs

W_{water} = Weight of water in supply side of system, lbs

TF_{avg} = Average temperature of the appliance and water at the end of the test, °F

TI_{avg} = Average temperature of the appliance and water at the start of the test, °F

T₃ = Temperature of water at the inlet to the load side of the heat exchanger, °F

V_f = Volumetric flow rate of water in heat exchanger system, gal/min

σ = Density of water, lb/gal

Sample calculation:

Appendix 13

$$[\Sigma(C_p \times \Delta T \times M \times t)] = (1.001 \times 26.604 \times 16.182 \times 240)$$

$$[\Sigma(C_p \times \Delta T \times M \times t)] = 103,430 \text{ Btu}$$

$$Q_{out} = 103,430 \times (1119.9 \times 0.1 + 1.001 \times 297.6) \times (155.8 - 150.9)$$

$$Q_{out} = 105,429$$

Q_{out} – Heat output rate, Btu/hr

Test method ASTM 2618-13 equation (15)

$$\text{Heat output rate} = Q_{out} / \text{test duration}$$

$$\text{Heat output rate} = 105,429 / (240/60)$$

$$\text{Heat output rate} = 26,357$$

η_{del} = Delivered efficiency, %

Test method ASTM 2618-13 equation (20)

$$\eta_{del} = (Q_{out}/Q_{in}) \times 100$$

$$\eta_{delLHV} = (Q_{out}/Q_{inLHV}) \times 100$$

Where:

η_{del} = Delivered heating efficiency, %

η_{delLHV} = Delivered heating efficiency with lower heating value, %

Sample calculation:

$$\eta_{del} = (105,429/140,555) \times 100$$

$$\eta_{del} = 75.0 \%$$

$$\eta_{delLHV} = (105,429/130,553) \times 100$$

$$\eta_{delLHV} = 80.8 \%$$

Emission rates, g/MJ, g/kg, lb/MMBtu output, g/hr

ASTM 2618-13 equations (16 to 19)

$$E_{g/MJ} = E_T / (Q_{out} \times 0.001055)$$

$$E_{g/kg} = E_T / (W_{fuel} / (1 + MC/100))$$

$$E_{lb/MMBtu \text{ output}} = (E_T / 453.59) / (Q_{output} \times 10^{-6})$$

Appendix 13

$$E_{g/hr} = E_T / \Theta$$

Sample calculation train 1:

$$E_{g/MJ} = 4.534 / (105,429 \times 0.001055)$$

$$E_{g/MJ} = 0.041 \text{ g/MJ}$$

$$E_{g/kg} = 4.534 / (8.005 / (1 + 7.98 / 100))$$

$$E_{g/kg} = 0.612 \text{ g/kg}$$

$$E_{lb/MMBtu \text{ output}} = (4.534 / 453.59) / (105,429 \times 10^{-6})$$

$$E_{lb/MMBtu \text{ output}} = 0.0949 \text{ lb/MMBtu}_{\text{output}}$$

$$E_{g/hr} = 4.534 / (240 / 60)$$

$$E_{g/hr} = 1.133 \text{ g/hr}$$

Sample calculation train 2:

$$E_{g/MJ} = 4.332 / (105,429 \times 0.001055)$$

$$E_{g/MJ} = 0.039 \text{ g/MJ}$$

$$E_{g/kg} = 4.332 / (8.005 / (1 + 7.98 / 100))$$

$$E_{g/kg} = 0.584 \text{ g/kg}$$

$$E_{lb/MMBtu \text{ output}} = (4.332 / 453.59) / (105,429 \times 10^{-6})$$

$$E_{lb/MMBtu \text{ output}} = 0.0906 \text{ lb/MMBtu}_{\text{output}}$$

$$E_{g/hr} = 4.332 / (240 / 60)$$

$$E_{g/hr} = 1.088 \text{ g/hr}$$

Appendix 14

CSA B415.1-10 results

The tables below are summary from the calculations according to CSA B415.1-10.

Category IV run 2:

ABC Laboratories, Inc.			
Manufacturer:	energy system/Okofen		Technicians:
Model:	Pellematic 56		
Date:	21/01/2020		
Run:	2		
Control #:			
Test Duration:	239,976		
Output Category:	Category IV		
Test Results in Accordance with CSA B415.1-10			
	HHV Basis	LHV Basis	
Overall Efficiency	86,4%	93,0%	
Combustion Efficiency	99,5%	99,5%	
Heat Transfer Efficiency	87%	93,5%	
Output Rate (kJ/h)	199 207	188 969	(Btu/h)
Burn Rate (kg/h)	11,54	25,43	(lb/h)
Input (kJ/h)	230 649	218 795	(Btu/h)
Test Load Weight (dry kg)	46,15	101,71	dry lb
MC wet (%)	6,26		
MC dry (%)	6,68		
Particulate (g)	4,12		
CO (g)	25		
Test Duration (h)	4,00		
Emissions	Particulate	CO	
g/MJ Output	0,01	0,03	
g/kg Dry Fuel	0,09	0,55	
g/h	1,03	6,37	
lb/MM Btu Output	0,01	0,07	
Air/Fuel Ratio (A/F)	7,43		
2.4	2010-04-15		

Category IV run 1 (failed test)

ABC Laboratories, Inc.			
Manufacturer:	energy system/Okofen		Technicians:
Model:	Pellematic 56		
Date:	09/12/2019		
Run:	1		
Control #:			
Test Duration:	239,976		
Output Category:	Category IV		
Test Results in Accordance with CSA B415.1-10			
	HHV Basis	LHV Basis	
Overall Efficiency	86,2%	92,8%	
Combustion Efficiency	99,5%	99,5%	
Heat Transfer Efficiency	87%	93,3%	
Output Rate (kJ/h)	192 205	182 327	(Btu/h)
Burn Rate (kg/h)	11,15	24,58	(lb/h)
Input (kJ/h)	222 949	211 491	(Btu/h)
Test Load Weight (dry kg)	44,61	98,32	dry lb
MC wet (%)	6,26		
MC dry (%)	6,68		
Particulate (g)	3,895		
CO (g)	31		
Test Duration (h)	4,00		
Emissions	Particulate	CO	
g/MJ Output	0,00	0,04	
g/kg Dry Fuel	0,09	0,68	
g/h	0,95	7,64	
lb/MM Btu Output	0,01	0,09	
Air/Fuel Ratio (A/F)	7,96		
2.4	2010-04-15		

Appendix 14

Category III run 1

ABC Laboratories, Inc.			
Manufacturer:	energy system/Okofen	Technicians:	
Model:	Pellematic 56		
Date:	10/12/2020		
Run:	1		
Control #:			
Test Duration:	239,976		
Output Category:	Category III		
Test Results in Accordance with CSA B415.1-10			
	HHV Basis	LHV Basis	
Overall Efficiency	86,8%	93,5%	
Combustion Efficiency	99,5%	99,5%	
Heat Transfer Efficiency	87%	94,0%	
Output Rate (kJ/h)	85 437	81 046	(Btu/h)
Burn Rate (kg/h)	4,92	10,85	(lb/h)
Input (kJ/h)	98 388	93 331	(Btu/h)
Test Load Weight (dry kg)	19,69	43,39	dry lb
MC wet (%)	6,26		
MC dry (%)	6,68		
Particulate (g)	2,03		
CO (g)	10		
Test Duration (h)	4,00		
Emissions	Particulate	CO	
g/MJ Output	0,01	0,03	
g/kg Dry Fuel	0,10	0,52	
g/h	0,51	2,54	
lb/MM Btu Output	0,01	0,07	
Air/Fuel Ratio (A/F)	10,34		
2,4	2010-04-15		

Category II run 1

ABC Laboratories, Inc.			
Manufacturer:	energy system/Okofen	Technicians:	
Model:	Pellematic 56		
Date:	11/12/2020		
Run:	1		
Control #:			
Test Duration:	239,976		
Output Category:	Category II		
Test Results in Accordance with CSA B415.1-10			
	HHV Basis	LHV Basis	
Overall Efficiency	87,7%	94,5%	
Combustion Efficiency	99,5%	99,5%	
Heat Transfer Efficiency	88%	94,9%	
Output Rate (kJ/h)	41 471	39 340	(Btu/h)
Burn Rate (kg/h)	2,36	5,21	(lb/h)
Input (kJ/h)	47 273	44 843	(Btu/h)
Test Load Weight (dry kg)	9,46	20,85	dry lb
MC wet (%)	6,26		
MC dry (%)	6,68		
Particulate (g)	3,9		
CO (g)	5		
Test Duration (h)	4,00		
Emissions	Particulate	CO	
g/MJ Output	0,02	0,03	
g/kg Dry Fuel	0,41	0,48	
g/h	0,98	1,13	
lb/MM Btu Output	0,05	0,06	
Air/Fuel Ratio (A/F)	11,82		
2,4	2010-04-15		



Appendix 14

Category II run 2

ABC Laboratories, Inc.			
Manufacturer:	energy system/Okofen	Technicians:	
Model:	Pellematic 56		
Date:	12/12/2020		
Run:	2		
Control #:			
Test Duration:	239,976		
Output Category:	Category II		
Test Results in Accordance with CSA B415.1-10			
	HHV Basis	LHV Basis	
Overall Efficiency	87,8%	94,5%	
Combustion Efficiency	99,5%	99,5%	
Heat Transfer Efficiency	88%	95,0%	
Output Rate (kJ/h)	39 078	37 070	(Btu/h)
Burn Rate (kg/h)	2,23	4,91	(lb/h)
Input (kJ/h)	44 509	42 221	(Btu/h)
Test Load Weight (dry kg)	8,91	19,63	dry lb
MC wet (%)	6,26		
MC dry (%)	6,68		
Particulate (g)	3,98		
CO (g)	5		
Test Duration (h)	4,00		
Emissions	Particulate	CO	
g/MJ Output	0,03	0,03	
g/kg Dry Fuel	0,45	0,51	
g/h	1,00	1,13	
lb/MM Btu Output	0,06	0,07	
Air/Fuel Ratio (A/F)	12,18		
2,4	2010-04-15		

Category I (retested 04/03/2021)

ABC Laboratories, Inc.			
Manufacturer:	energy system/Okofen	Technicians:	
Model:	Pellematic 56		
Date:	04/03/2021		
Run:	1		
Control #:			
Test Duration:	239,976		
Output Category:	Retest Category I		
Test Results in Accordance with CSA B415.1-10			
	HHV Basis	LHV Basis	
Overall Efficiency	86,3%	92,9%	
Combustion Efficiency	99,5%	99,5%	
Heat Transfer Efficiency	87%	93,3%	
Output Rate (kJ/h)	31 779	30 146	(Btu/h)
Burn Rate (kg/h)	1,84	4,06	(lb/h)
Input (kJ/h)	36 839	34 946	(Btu/h)
Test Load Weight (dry kg)	7,37	16,25	dry lb
MC wet (%)	7,98		
MC dry (%)	8,67		
Particulate (g)	4,4		
CO (g)	18		
Test Duration (h)	4,00		
Emissions	Particulate	CO	
g/MJ Output	0,03	0,14	
g/kg Dry Fuel	0,60	2,44	
g/h	1,10	4,50	
lb/MM Btu Output	0,08	0,33	
Air/Fuel Ratio (A/F)	17,67		
2,4	2010-04-15		



Appendix 15

Fuel analyse

The fuel analyse was performed by RISE chemical lab in December 2019.

Test methods

Water content:	SS-EN-ISO 18134-2
Ash content:	SS-EN-ISO 18122
Sulphur content:	SS-EN-ISO 16994
Carbon, hydrogen and nitrogen content:	SS-EN-ISO 16948
Oxygen content:	Calculated as a difference
Calorific value:	SS-EN-ISO 18125

Results**Test fuel as delivered**

Water content, % of mass	6.2
Ash content, % of mass	0.4
Sulphur content, S, % of mass	<0.02
Carbon content, C, % of mass	47.6
Hydrogen content, H, % of mass	6.4
Nitrogen content, N, % of mass	0.06
Calorific value at constant volume, MJ/kg	18.94 (GCV _{ar}) (approx.. 8150 Btu/lb)
Net calorific value at constant pressure, MJ/kg	17.54 (NCV _{ar}) (approx. 7550 Btu/lb)

Test fuel as dry basis

Ash content, % of mass	0.4
Sulphur, S, % of mass	<0.02
Carbon content, C, % of mass	50.8
Hydrogen content, H, % of mass	6.1
Nitrogen content, N, % of mass	0.06
Oxygen content, O, (diff) % of mass	43.0
Calorific value at constant volume, MJ/kg	20.20(GCV _{dry}) (approx.. 8690 Btu/lb)
Net calorific value at constant pressure, MJ/kg	18.87 (NCV _{dry}) (approx. 8120 Btu/lb)

Appendix 16

Conditioning data

Conditioning of the boiler Pellematic 56 was conducted by the manufacturer 28th October 2019 to 1st November 2019. The raw data below is taken from the first 50 hours of conditioning.

Datum	Zeit	PE1 KT[°C]	PE1 KT_SOLL[°C]	PE1 Modulation[%]	PE1 FRT Ist[°C]	PE1 FRT Soll[°C]	PE1 FRT End[°C]	PE1 Einschublaufzeit[s]	PE1 Pausenzeit[s]	PE1 Luefterdrehzahl[%]	PE1 Saugzugdrehzahl[%]	PE1 Unterdruck Ist[EH]	PE1 Unterdruck Soll[EH]
2019-10-28	00:03:51	70,9	71,1	70	602,3	525,4	736	22,92	80	82	37	83,4	80
2019-10-28	00:04:51	72,3	71,1	62	591,2	555,9	718	22,26	80	74	37	81,3	80
2019-10-28	00:05:51	73,4	71,1	54	586,9	578,8	698	21,38	80	68	39	79,7	80
2019-10-28	00:06:51	74,2	71,1	50	587	596,4	684	21,88	80	59	38	79,4	80
2019-10-28	00:07:51	75	71,1	46	585,2	609,9	672	22,47	80	55	36	85,7	80
2019-10-28	00:08:51	75,8	71,1	46	596,8	619,4	672	22,68	80	55	32	81,7	80
2019-10-28	00:09:51	76,8	71,1	38	601,7	624,8	652	20,38	80	48	31	82,8	80
2019-10-28	00:10:51	77,7	71,1	34	608,1	628,1	645	19,22	80	44	32	82,6	80
2019-10-28	00:11:51	78,6	71,1	30	610,9	630	639	18,47	81	41	31	82,2	80
2019-10-28	00:12:51	78,6	71,1	30	615,1	631,4	639	18,5	81	41	31	84,5	80
2019-10-28	00:13:51	76,9	71,1	38	614,8	633	652	21,22	80	48	31	82,3	80
2019-10-28	00:14:51	75,4	71,1	42	619,4	636,6	662	22,86	80	52	32	79,7	80
2019-10-28	00:15:51	75,1	71,1	42	625,7	640,5	662	22,87	80	52	30	91,1	80
2019-10-28	00:16:51	75,3	71,1	42	636,4	643,8	662	22,1	80	52	32	79,8	80
2019-10-28	00:17:51	76	71,1	38	650,1	646,5	652	19,39	80	48	32	80,9	80
2019-10-28	00:18:51	77,1	71,1	30	656,5	646,1	639	16,25	81	41	30	82,7	80
2019-10-28	00:19:51	78,5	71,1	30	644,2	645	639	17,56	81	41	31	79,2	80
2019-10-28	00:33:51	67	71,1	82	200,9	300,2	764	55,68	80	93	50	71,4	80
2019-10-28	00:34:51	66,4	71,1	86	248,7	373,6	779	64,67	80	98	51	83,9	80
2019-10-28	00:35:51	66,6	71,1	86	385,6	435,4	779	57,44	80	98	54	80,9	80
2019-10-28	00:36:51	67,6	71,1	82	532,4	486,9	764	42,41	80	93	52	81	80
2019-10-28	00:37:51	69,2	71,1	74	608,8	528,1	745	30,84	80	86	40	89,1	80
2019-10-28	00:38:51	70,8	71,1	70	632,9	560,4	736	27,72	80	82	39	77,8	80
2019-10-28	00:39:51	71,9	71,1	66	638,5	586,5	727	26,56	80	78	36	86,5	80
2019-10-28	00:40:51	72,6	71,1	58	639	605,6	709	23,81	80	70	37	81,4	80
2019-10-28	00:41:51	73,3	71,1	54	632,8	620,6	698	24,1	80	68	38	79,1	80
2019-10-28	00:42:51	73,6	71,1	54	626,1	632,4	698	26,3	80	68	38	79,7	80
2019-10-28	00:43:51	72,8	71,1	58	624,6	642,7	709	29,73	80	70	38	80,4	80
2019-10-28	00:44:51	71,9	71,1	62	622	653,3	718	33,83	80	74	38	83,9	80
2019-10-28	00:45:51	71,9	71,1	62	645,4	663,2	718	32,68	80	74	39	77	80
2019-10-28	00:46:51	72,4	71,1	58	663,5	670,5	709	29,62	80	70	37	83,8	80
2019-10-28	00:47:51	72,8	71,1	58	666,1	676,4	709	30,04	80	70	37	84,9	80
2019-10-28	00:48:51	73,5	71,1	50	667,2	678,3	684	26,92	80	59	38	82	80
2019-10-28	00:49:51	74,3	71,1	46	660,4	678,5	672	26,47	80	55	32	81,1	80
2019-10-28	00:50:51	75,2	71,1	42	663,7	677	662	24,79	80	52	32	82,6	80
2019-10-28	00:51:51	76,3	71,1	38	675,4	674,3	652	21,72	80	48	32	79	80
2019-10-28	00:52:51	77,6	71,1	30	670,4	669,5	639	19,54	81	41	33	78,6	80
2019-10-28	00:53:51	78,9	71,1	30	658,7	664,8	639	20,39	81	41	32	79,4	80
2019-10-28	01:16:51	68,7	71,1	78	147,9	162,1	755	43,38	16	89	42	79,9	80
2019-10-28	01:17:51	68,9	71,1	78	162,2	253,2	755	53,74	80	100	100	195,1	80
2019-10-28	01:18:51	69,2	71,1	74	285,6	329,2	745	46,7	80	86	34	49,8	80
2019-10-28	01:19:51	70,2	71,1	70	448,7	392,8	736	32,06	80	82	40	82,7	80
2019-10-28	01:20:51	71,8	71,1	66	567,1	444,4	727	19,8	80	78	38	78,9	80
2019-10-28	01:21:51	73,6	71,1	58	602,7	486,6	709	13,97	80	70	40	77,5	80
2019-10-28	01:22:51	75,2	71,1	46	593,6	517,3	672	11,9	80	55	30	93,2	80
2019-10-28	01:23:51	76,5	71,1	42	570,8	540,3	662	14,97	80	52	31	81,3	80
2019-10-28	01:24:51	77,4	71,1	38	550,2	558,1	652	18,01	80	48	30	80,1	80
2019-10-28	01:25:51	77,9	71,1	34	549,3	571,6	645	18,86	80	44	32	79	80
2019-10-28	01:26:51	78,3	71,1	30	569,2	582,3	639	17,1	81	41	31	79,3	80
2019-10-28	01:27:51	78	71,1	30	576,1	591,1	639	17,57	81	41	31	82,4	80
2019-10-28	01:28:51	76,2	71,1	38	577,1	599,7	652	21,06	80	48	32	80,3	80
2019-10-28	01:29:51	74,7	71,1	46	593	609,3	672	23,48	80	55	32	83,3	80
2019-10-28	01:30:51	73,9	71,1	50	615,9	619,2	684	23,67	80	59	32	79,4	80
2019-10-28	01:31:51	73,8	71,1	50	630,3	629,3	684	23,15	80	59	39	78,1	80
2019-10-28	01:32:51	73,7	71,1	50	631,4	637,6	684	24,02	80	59	38	79,4	80
2019-10-28	01:33:51	73,7	71,1	50	622,9	644,7	684	26,16	80	59	37	84,7	80
2019-10-28	01:34:51	74	71,1	42	632,5	649,1	662	22,91	80	52	32	79,8	80
2019-10-28	01:35:51	74,4	71,1	42	638,3	651,1	662	22,73	80	52	32	79,2	80
2019-10-28	01:36:51	74,8	71,1	42	643,9	652,8	662	22,46	80	52	32	81	80
2019-10-28	01:37:51	75,1	71,1	38	646,2	653,7	652	20,91	80	48	30	84	80
2019-10-28	01:38:51	75,1	71,1	38	644,9	653,4	652	21,05	80	48	31	81,7	80
2019-10-28	01:39:51	75,1	71,1	34	651,8	652,9	645	18,98	80	44	32	79,6	80
2019-10-28	01:40:51	75,6	71,1	34	653,6	651,6	645	18,6	80	44	31	82,3	80
2019-10-28	01:41:51	76,5	71,1	30	647,5	650,1	639	18,16	81	41	31	82,9	80
2019-10-28	01:42:51	77,2	71,1	30	640,3	648,4	639	18,83	81	41	33	77,1	80
2019-10-28	01:43:51	76,8	71,1	34	639,1	647,1	645	19,84	80	44	32	80,8	80
2019-10-28	01:44:51	75,6	71,1	38	631,3	647,2	652	22,17	80	48	30	85,9	80
2019-10-28	01:45:51	75,3	71,1	38	632,2	647,9	652	22,47	80	48	32	81,5	80
2019-10-28	01:46:51	75,8	71,1	38	640,5	648,5	652	21,76	80	48	32	82,1	80

Appendix 16

2019-10-28 01:47:51	76,8	71,1	30	651,6	647,5	639	18,11	81	41	32	78,5	80
2019-10-28 01:48:51	78,2	71,1	30	652,8	646,2	639	17,79	81	41	32	80,7	80
2019-10-28 02:15:51	65,9	71,1	0	144,8	150	150	30	20	100	43	78,3	80
2019-10-28 02:20:51	67,7	71,1	82	255,9	265,8	764	44,96	80	93	41	84,1	80
2019-10-28 02:21:51	67,9	71,1	82	250,4	341,7	764	55,75	80	93	47	85,5	80
2019-10-28 02:22:51	68,2	71,1	78	289,5	406,3	755	57,77	80	89	47	83,4	80
2019-10-28 02:23:51	68,7	71,1	78	401,4	459,4	755	52,48	80	89	48	81,5	80
2019-10-28 02:24:51	70	71,1	70	520,2	503,6	736	38,46	80	82	39	80	80
2019-10-28 02:25:51	71,6	71,1	66	596,2	538,7	727	30,41	80	78	38	81,4	80
2019-10-28 02:26:51	73,3	71,1	54	627,4	565,9	698	22,72	80	68	38	82,7	80
2019-10-28 02:27:51	74	71,1	50	632,2	585,5	684	21,84	80	59	37	84,6	80
2019-10-28 02:28:51	72,9	71,1	58	629,7	602,3	709	26,84	80	70	37	83,4	80
2019-10-28 02:29:51	71,7	71,1	62	622,8	619,2	718	31,43	80	74	38	79,6	80
2019-10-28 02:30:51	71,2	71,1	62	622,5	634,2	718	33,32	80	74	38	81,8	80
2019-10-28 02:31:51	71,2	71,1	62	637,7	647,1	718	33,25	80	74	37	83,4	80
2019-10-28 02:32:51	71,4	71,1	62	659	658,2	718	32,03	80	74	38	78,1	80
2019-10-28 02:33:51	72,2	71,1	58	667,1	667	709	30,11	80	70	39	79,2	80
2019-10-28 02:34:51	73,5	71,1	50	669,3	672	684	27,06	80	59	37	83,1	80
2019-10-28 02:35:51	74,9	71,1	46	671,9	672,6	672	25,22	80	55	32	78,9	80
2019-10-28 02:36:51	76,3	71,1	38	676,1	670,6	652	21,66	80	48	31	81,3	80
2019-10-28 02:37:51	77,6	71,1	30	664,8	666,8	639	20,36	81	41	31	82,5	80
2019-10-28 02:38:51	78,7	71,1	30	660,8	662,6	639	20,34	81	41	30	84,1	80
2019-10-28 03:00:51	66,2	71,1	86	154,4	241,2	779	60,12	80	98	47	75,5	80
2019-10-28 03:01:51	65,6	71,1	90	186,8	324,4	785	72,7	80	98	50	83,6	80
2019-10-28 03:02:51	65,7	71,1	90	316,2	394,6	785	67,83	80	98	53	81,4	80
2019-10-28 03:03:51	66,5	71,1	86	484,2	455	779	51,16	80	98	57	81,5	80
2019-10-28 03:04:51	68,1	71,1	78	588,5	503	755	36,39	80	89	43	98,3	80
2019-10-28 03:05:51	70,1	71,1	70	630,7	540,4	736	28,68	80	82	38	80,2	80
2019-10-28 03:06:51	72	71,1	62	637,2	569,6	718	25,28	80	74	38	80	80
2019-10-28 03:07:51	73,6	71,1	54	635	590,2	698	23,16	80	68	38	79,2	80
2019-10-28 03:08:51	74,8	71,1	50	627,6	605,4	684	23,61	80	59	37	83	80
2019-10-28 03:09:51	75,7	71,1	46	623,5	615,8	672	23,5	80	55	32	81,5	80
2019-10-28 03:10:51	76,5	71,1	42	621,5	623,3	662	23,24	80	52	31	84,1	80
2019-10-28 03:11:51	77,2	71,1	34	630,4	627,4	645	20,06	80	44	32	81,4	80
2019-10-28 03:12:51	77,2	71,1	34	645,4	630,1	645	18,44	80	44	31	81,8	80
2019-10-28 03:13:51	75,6	71,1	42	646,8	633,5	662	20,97	80	52	32	79,8	80
2019-10-28 03:14:51	73,5	71,1	50	636	639,4	684	25,92	80	59	39	88,7	80
2019-10-28 03:15:51	72,2	71,1	54	639,8	647,6	698	28,07	80	68	38	81,4	80
2019-10-28 03:16:51	72	71,1	54	644,5	655,3	698	28,56	80	68	37	84,8	80
2019-10-28 03:17:51	72,6	71,1	54	643,5	661,9	698	29,75	80	68	39	77,4	80
2019-10-28 03:18:51	73,8	71,1	46	651,8	664,8	672	26,18	80	55	30	82,9	80
2019-10-28 03:19:51	75,2	71,1	38	653,2	664,2	652	23,39	80	48	32	80,4	80
2019-10-28 03:20:51	76,4	71,1	34	661,6	661,9	645	20,93	80	44	31	81,6	80
2019-10-28 03:21:51	77,2	71,1	30	669,7	658,9	639	18,57	81	41	31	80,4	80
2019-10-28 03:22:51	77,5	71,1	30	669,9	655,9	639	17,93	81	41	30	80,3	80
2019-10-28 03:23:51	77,4	71,1	30	658,4	653,3	639	18,84	81	41	30	81,5	80
2019-10-28 03:24:51	77,6	71,1	30	644,4	651,1	639	20,26	81	41	30	82,9	80
2019-10-28 03:25:51	78,3	71,1	30	638,3	649,2	639	20,87	81	41	30	84,5	80
2019-10-28 03:48:51	68,5	71,1	78	152,4	225,5	755	51	80	89	42	78	80
2019-10-28 03:49:51	68,5	71,1	78	173,7	306,9	755	60,3	80	89	45	83,6	80
2019-10-28 03:50:51	68,6	71,1	78	273,2	375,2	755	59,02	80	89	49	76,8	80
2019-10-28 03:51:51	69,4	71,1	74	424,6	432,8	745	45,95	80	86	39	82,2	80
2019-10-28 03:52:51	70,9	71,1	70	543	480,6	736	34,29	80	82	37	82	80
2019-10-28 03:53:51	72,6	71,1	62	610,1	517,6	718	24,56	80	74	39	78,7	80
2019-10-28 03:54:51	74,3	71,1	50	631,6	545,4	684	18,11	80	59	39	78,9	80
2019-10-28 03:55:51	75,5	71,1	46	622,1	565,5	672	18,7	80	55	32	82	80
2019-10-28 03:56:51	76	71,1	42	608,2	581,4	662	20,1	80	52	31	80	80
2019-10-28 03:57:51	75,3	71,1	46	604,4	595	672	23,24	80	55	32	81,3	80
2019-10-28 03:58:51	73,7	71,1	54	610,4	608,8	698	27,37	80	68	38	85,9	80
2019-10-28 03:59:51	71,9	71,1	62	616,5	623,6	718	32,22	80	74	39	77,8	80
2019-10-28 04:00:51	71	71,1	62	628,7	638,1	718	32,52	80	74	40	79,4	80
2019-10-28 04:01:51	71,2	71,1	62	647,4	650,4	718	31,77	80	74	39	77,5	80
2019-10-28 04:02:51	71,7	71,1	62	662,2	660,7	718	31,23	80	74	38	79,9	80
2019-10-28 04:03:51	72,5	71,1	54	667,6	667,3	698	27,57	80	68	39	80,7	80
2019-10-28 04:04:51	73,8	71,1	50	669,1	670,6	684	26,19	80	59	39	75,6	80
2019-10-28 04:05:51	74,9	71,1	46	666,1	670,9	672	24,99	80	55	32	80,1	80
2019-10-28 04:06:51	75,1	71,1	42	661,8	669,6	662	23,96	80	52	32	78,7	80
2019-10-28 04:07:51	74,9	71,1	46	663,2	668,5	672	25,08	80	52	31	82	80
2019-10-28 04:08:51	74,9	71,1	46	668,2	669	672	24,56	80	55	33	79,8	80
2019-10-28 04:09:51	74,9	71,1	42	682,2	668,3	662	21,31	80	52	31	80,9	80

Appendix 16

2019-10-28 04:10:51	75,3	71,1	38	678,3	666	652	19,83	80	48	31	83,8	80
2019-10-28 04:11:51	75,9	71,1	38	667,5	663,8	652	20,76	80	48	31	82,2	80
2019-10-28 04:12:51	76,2	71,1	34	656	661,1	645	20,62	80	44	32	80,3	80
2019-10-28 04:13:51	75,7	71,1	34	645,5	658,2	645	21,62	80	44	32	79,9	80
2019-10-28 04:14:51	74,9	71,1	38	644	656,2	652	23,02	80	44	30	85	80
2019-10-28 04:15:51	74,1	71,1	38	656,2	655,6	652	21,55	80	48	32	79,7	80
2019-10-28 04:16:51	73,9	71,1	42	669,7	656,2	662	21,28	80	52	32	77,7	80
2019-10-28 04:17:51	74,6	71,1	38	661,6	655,8	652	20,62	80	48	31	80,8	80
2019-10-28 04:18:51	75,7	71,1	30	652,2	653,9	639	19,32	81	41	32	79,2	80
2019-10-28 04:19:51	76,9	71,1	30	642,9	651,6	639	20,17	81	41	32	78,6	80
2019-10-28 04:20:51	78,1	71,1	30	642,1	649,7	639	20,08	81	41	30	82	80
2019-10-28 04:21:51	79,2	71,1	30	650,8	648	639	18,84	81	41	33	79,3	80
2019-10-28 04:46:51	66,3	71,1	86	153,8	240,8	779	59,3	80	100	100	197,3	80
2019-10-28 04:47:51	66,2	71,1	86	254,6	323,5	779	58,8	80	98	30	47,5	80
2019-10-28 04:48:51	67,1	71,1	82	423,8	393,2	764	43,8	80	93	62	81,2	80
2019-10-28 04:49:51	69,1	71,1	74	565,6	449,7	745	25,9	80	86	40	97	80
2019-10-28 04:50:51	71,4	71,1	66	600,6	493,8	727	19,79	80	78	38	81,6	80
2019-10-28 04:51:51	73,2	71,1	58	595,6	528,2	709	18,66	80	70	39	81,2	80
2019-10-28 04:52:51	74,4	71,1	50	583,2	553,3	684	18,84	80	59	36	87,7	80
2019-10-28 04:53:51	75,1	71,1	46	564,6	572,8	672	21,61	80	55	30	86,5	80
2019-10-28 04:54:51	74,9	71,1	50	556,7	588,2	684	26,46	80	55	33	78,3	80
2019-10-28 04:55:51	74,7	71,1	50	577,3	602,9	684	26,29	80	59	38	79,3	80
2019-10-28 04:56:51	74,8	71,1	50	597,4	615,3	684	25,8	80	59	38	82,9	80
2019-10-28 04:57:51	75,1	71,1	42	607,2	624,2	662	23,01	80	52	33	79,8	80
2019-10-28 04:58:51	74,3	71,1	46	614,8	631,1	672	24,65	80	55	31	79,6	80
2019-10-28 04:59:51	73	71,1	50	624,9	638,7	684	26,23	80	59	38	81	80
2019-10-28 05:00:51	72,4	71,1	54	632,7	647,9	698	28,29	80	68	38	80,4	80
2019-10-28 05:01:51	72,4	71,1	54	640,1	655,6	698	28,62	80	68	38	80,6	80
2019-10-28 05:02:51	72,8	71,1	54	648,2	662,1	698	28,74	80	68	38	80,7	80
2019-10-28 05:03:51	73,8	71,1	50	652	665,7	684	27,37	80	59	37	82,1	80
2019-10-28 05:04:51	75,3	71,1	38	652,4	665,3	652	23,14	80	48	32	81	80
2019-10-28 05:05:51	76,7	71,1	34	648,6	662,7	645	22,33	80	44	33	76,6	80
2019-10-28 05:06:51	77,9	71,1	30	642,9	659,2	639	21,9	81	41	32	79,5	80
2019-10-28 05:07:51	78,9	71,1	30	634,9	656,1	639	22,83	81	41	32	79,6	80
2019-10-28 05:30:51	67,3	71,1	82	148,9	172,4	764	48,53	16	93	42	80,8	80
2019-10-28 05:31:51	66,7	71,1	86	162,7	263,8	779	62,76	80	100	100	178,6	80
2019-10-28 05:32:51	66,4	71,1	86	326,4	344,1	779	54,12	80	98	63	65,4	80
2019-10-28 05:33:51	67,3	71,1	82	510,8	410,3	764	35,5	80	93	57	85,3	80
2019-10-28 05:34:51	69,1	71,1	74	589,9	463,2	745	24,03	80	86	40	94,1	80
2019-10-28 05:35:51	71,2	71,1	66	602,2	505,5	727	20,46	80	78	38	80,7	80
2019-10-28 05:36:51	72,9	71,1	62	601,5	538,6	718	20,81	80	74	39	79,9	80
2019-10-28 05:37:51	74,3	71,1	50	599	562,8	684	17,66	80	59	38	83,9	80
2019-10-28 06:01:51	63,1	71,1	0	110,1	136,4	136,4	30	20	100	46	76,3	80
2019-10-28 06:06:51	63,5	71,1	94	300,6	356,2	792	59,63	80	98	47	82,1	80
2019-10-28 06:07:51	63,5	71,1	94	311,4	422,6	792	68	80	98	52	76,2	80
2019-10-28 06:08:51	63,5	71,1	100	403,5	480,1	805	71,01	80	100	53	81	80
2019-10-28 06:09:51	64,1	71,1	94	534,1	529,4	792	56,72	80	98	62	80,5	80
2019-10-28 06:10:51	65,4	71,1	90	623,8	569,1	785	45,5	80	98	61	82,9	80
2019-10-28 06:11:51	67,1	71,1	82	659,7	602	764	36,17	80	93	57	84,3	80
2019-10-28 06:12:51	68,3	71,1	78	666,6	626,3	755	34,12	80	89	48	78,6	80
2019-10-28 06:13:51	68,5	71,1	78	662,1	645,9	755	36,46	80	89	47	80	80
2019-10-28 06:14:51	68,1	71,1	78	667,2	662,5	755	37,8	80	89	48	78,6	80
2019-10-28 06:15:51	68,1	71,1	78	682,4	676,9	755	37,66	80	89	48	80,3	80
2019-10-28 06:16:51	68,6	71,1	78	677,9	688,9	755	39,66	80	89	47	81	80
2019-10-28 06:17:51	68,9	71,1	78	681,9	699	755	40,7	80	89	49	78,4	80
2019-10-28 06:18:51	69,5	71,1	74	691,4	706,4	745	37,92	80	86	41	77,9	80
2019-10-28 06:19:51	70,7	71,1	70	705,5	711,5	736	34,45	80	82	37	82,3	80
2019-10-28 06:20:51	72,1	71,1	58	700,8	713	709	28,64	80	70	38	78,5	80
2019-10-28 06:21:51	73,5	71,1	54	687,7	711,6	698	28,59	80	68	39	80,8	80
2019-10-28 06:22:51	74,9	71,1	50	675,2	708	684	28,61	80	59	37	80,9	80
2019-10-28 06:23:51	76,1	71,1	42	667,8	702,2	662	26,43	80	52	31	84,3	80
2019-10-28 06:24:51	77,2	71,1	34	670,7	694,7	645	23,19	80	44	32	80,6	80
2019-10-28 06:25:51	78,3	71,1	30	673,5	686,6	639	21,22	81	41	31	81,2	80
2019-10-28 06:26:51	79,2	71,1	30	666,5	679,4	639	21,44	81	41	30	79,7	80
2019-10-28 06:33:51	69,3	71,1	70	315,4	368,4	736	43,05	80	82	33	82,8	80
2019-10-28 06:34:51	69,7	71,1	70	303,2	424,9	736	53,06	80	82	41	76,9	80
2019-10-28 06:35:51	70,1	71,1	66	374,9	472	727	49,99	80	78	38	83,7	80
2019-10-28 06:36:51	70,9	71,1	66	523	511,8	727	37,83	80	78	38	81,4	80
2019-10-28 06:37:51	72,5	71,1	54	614,1	541,7	698	23,58	80	68	39	79,7	80
2019-10-28 06:38:51	74,2	71,1	46	632,6	563,6	672	19,38	80	55	30	91,5	80



Appendix 16

2019-10-28 06:39:51	75,8	71,1	42	626,5	579,4	662	19,5	80	52	30	87,5	80
2019-10-28 06:40:51	77	71,1	34	626,1	590,6	645	17,52	80	44	33	78,5	80
2019-10-28 06:41:51	77,9	71,1	30	625,1	598	639	16,9	81	41	30	80,6	80
2019-10-28 06:42:51	77,5	71,1	34	611,2	604,7	645	20,08	80	44	32	81,5	80
2019-10-28 06:43:51	74,8	71,1	46	613,8	612,3	672	24,68	80	55	31	79,6	80
2019-10-28 06:44:51	72,2	71,1	54	630,1	623,6	698	27,26	80	68	38	80,3	80
2019-10-28 06:45:51	71,3	71,1	58	633,2	636,5	709	30,23	80	70	39	80,4	80
2019-10-28 06:46:51	71,5	71,1	58	637,2	647,5	709	31,11	80	70	39	78,7	80
2019-10-28 06:47:51	71,9	71,1	58	641,5	657,1	709	31,99	80	70	40	75,3	80
2019-10-28 06:48:51	72,3	71,1	54	661,7	663,8	698	28,73	80	68	36	86,9	80
2019-10-28 06:49:51	72,9	71,1	50	669	666,9	684	26,62	80	59	39	77,7	80
2019-10-28 06:50:51	73,6	71,1	46	669	667,9	672	25,14	80	55	31	83,8	80
2019-10-28 06:51:51	74,3	71,1	42	667,3	667,6	662	23,91	80	52	32	80	80
2019-10-28 06:52:51	74,9	71,1	42	671	666,7	662	23,35	80	52	30	79,1	80
2019-10-28 06:53:51	75,5	71,1	38	669,1	664,6	652	21,92	80	48	32	78,9	80
2019-10-28 06:54:51	76,3	71,1	30	673	661,2	639	18,74	81	41	32	80,4	80
2019-10-28 06:55:51	77,2	71,1	30	665,7	657,8	639	19,14	81	41	32	79,9	80
2019-10-28 06:56:51	78,3	71,1	30	655,5	654,9	639	20	81	41	32	81,3	80
2019-10-28 06:57:51	78,8	71,1	30	646,7	652,5	639	20,78	81	41	32	79,4	80
2019-10-28 06:58:51	77	71,1	34	649,9	650,7	645	21,19	80	44	31	81,7	80
2019-10-28 06:59:51	74,9	71,1	46	655,9	651,9	672	24,6	80	55	30	84,3	80
2019-10-28 07:00:51	73,9	71,1	50	656,5	655,1	684	26,51	80	59	35	73,3	80
2019-10-28 07:01:51	73,9	71,1	50	661,9	659,5	684	26,38	80	59	40	74,2	80
2019-10-28 07:02:51	74	71,1	46	662,8	662,8	672	25,07	80	55	30	92,3	80
2019-10-28 07:03:51	74	71,1	42	656,1	663,9	662	24,62	80	52	32	78,7	80
2019-10-28 07:04:51	74,1	71,1	42	663,1	663,7	662	23,76	80	52	30	82,9	80
2019-10-28 07:05:51	74,3	71,1	42	673,4	663,4	662	22,48	80	52	33	77,8	80
2019-10-28 07:06:51	74,9	71,1	42	680,4	663,2	662	21,32	80	52	30	78,8	80
2019-10-28 07:07:51	75,6	71,1	38	666,1	661,6	652	21,25	80	48	30	79,2	80
2019-10-28 07:08:51	75,5	71,1	34	660,8	659,9	645	20,48	80	44	30	80	80
2019-10-28 07:09:51	75,1	71,1	34	663,6	657,6	645	19,86	80	44	32	80,4	80
2019-10-28 07:10:51	74,8	71,1	38	662,1	656,4	652	21,08	80	48	30	85	80
2019-10-28 07:11:51	74,9	71,1	38	657	655,8	652	21,61	80	48	30	80,1	80
2019-10-28 07:12:51	75,1	71,1	34	648,4	654,7	645	21,32	80	44	30	79,5	80
2019-10-28 07:13:51	74,8	71,1	38	656,2	653,6	652	21,46	80	48	31	81,1	80
2019-10-28 07:14:51	74,4	71,1	34	667,7	653,1	645	18,69	80	44	30	80,4	80
2019-10-28 07:15:51	74	71,1	34	662,1	651,9	645	18,98	80	44	30	81,8	80
2019-10-28 07:16:51	73,8	71,1	38	660	651,4	652	20,34	80	48	31	81,6	80
2019-10-28 07:17:51	73,5	71,1	38	659,1	651,5	652	20,43	80	48	30	88,2	80
2019-10-28 07:18:51	73,4	71,1	38	654,1	651,5	652	21,02	80	48	30	81	80
2019-10-28 07:19:51	73,6	71,1	38	651	651,6	652	21,4	80	48	30	82,1	80
2019-10-28 07:20:51	74,2	71,1	30	651,4	651,1	639	19,1	81	41	30	79,9	80
2019-10-28 07:21:51	75,3	71,1	30	640,2	649,3	639	20,24	81	41	30	84,5	80
2019-10-28 07:22:51	76,3	71,1	30	634,7	647,7	639	20,94	81	41	30	76,4	80
2019-10-28 07:23:51	77,2	71,1	30	643,5	646,3	639	19,82	81	41	30	79,3	80
2019-10-28 07:24:51	78	71,1	30	650,7	645,2	639	18,82	81	41	30	78,3	80
2019-10-28 07:25:51	78,7	71,1	30	645,1	644,3	639	19,37	81	41	30	79,7	80
2019-10-28 07:26:51	79,3	71,1	30	641	643,5	639	19,78	81	41	30	80,1	80
2019-10-28 07:44:51	67,9	71,1	82	168,9	216,6	764	50,61	80	89	40	81,5	80
2019-10-28 07:45:51	66,9	71,1	86	179,9	300,8	779	64,72	80	93	51	78,1	80
2019-10-28 07:46:51	66,3	71,1	86	279,9	374,2	779	63,76	80	98	52	77,5	80
2019-10-28 07:47:51	66,7	71,1	86	452,8	436,9	779	51,36	80	98	59	79,9	80
2019-10-28 07:48:51	68,3	71,1	78	581	487,3	755	34,03	80	89	48	77,8	80
2019-10-28 07:49:51	70,2	71,1	70	628,2	526,8	736	25,8	80	82	37	82,6	80
2019-10-28 07:50:51	71,6	71,1	66	643,8	558,2	727	23,46	80	78	38	81,1	80
2019-10-28 07:51:51	72,7	71,1	58	643,1	582,3	709	20,84	80	70	39	77	80
2019-10-28 07:52:51	73,4	71,1	54	639,8	600,8	698	20,68	80	68	39	79,9	80
2019-10-28 07:53:51	74	71,1	50	618	615,6	684	23,1	80	59	39	78,6	80
2019-10-28 07:54:51	74,4	71,1	50	609,4	626,1	684	25,54	80	59	38	81,1	80
2019-10-28 07:55:51	75	71,1	46	619,3	635	672	24,14	80	55	38	81,9	80
2019-10-28 07:56:51	75,7	71,1	42	629,7	640	662	22,35	80	52	32	79,8	80
2019-10-28 07:57:51	76,1	71,1	38	636	642,3	652	20,5	80	48	32	80,5	80
2019-10-28 07:58:51	75,3	71,1	42	636,5	644,7	662	22,14	80	52	32	77,8	80
2019-10-28 07:59:51	74	71,1	46	647,9	648,5	672	22,65	80	55	32	79,6	80
2019-10-28 08:00:51	73,6	71,1	50	658,1	653,7	684	23,64	80	59	38	79,3	80
2019-10-28 08:01:51	73,7	71,1	50	660,8	658,5	684	23,88	80	59	37	82,8	80
2019-10-28 08:02:51	73,7	71,1	50	660,2	662,3	684	24,4	80	59	39	78,8	80
2019-10-28 08:03:51	73,3	71,1	46	655,1	664,8	672	23,74	80	55	30	88,8	80
2019-10-28 08:04:51	72,4	71,1	50	657,2	667,1	684	25,56	80	59	39	78,4	80
2019-10-28 08:05:51	72,2	71,1	50	654,3	669,8	684	26,44	80	59	40	81,1	80



Appendix 16

2019-10-28 08:06:51	72,6	71,1	50	654,7	671,9	684	26,94	80	59	36	84,7	80
2019-10-28 08:07:51	73,1	71,1	46	648,4	673,2	672	26,66	80	55	30	84,3	80
2019-10-28 08:08:51	73,6	71,1	46	655,1	673	672	26,28	80	55	31	82	80
2019-10-28 08:09:51	74	71,1	42	669,2	672,8	662	23,27	80	52	30	80,4	80
2019-10-28 08:10:51	74,8	71,1	38	678,3	669,7	652	20,4	80	48	30	80,3	80
2019-10-28 08:11:51	75,8	71,1	34	669,4	666	645	19,78	80	44	31	82,7	80
2019-10-28 08:12:51	76,5	71,1	30	660,7	661,9	639	19,33	81	41	30	84	80
2019-10-28 08:13:51	75,8	71,1	34	645,5	658,5	645	21,8	80	44	30	84	80
2019-10-28 08:14:51	74,4	71,1	38	639,6	656,8	652	23,83	80	48	31	81	80
2019-10-28 08:15:51	73,4	71,1	42	651,2	657,1	662	24,07	80	52	32	79,1	80
2019-10-28 08:16:51	73,6	71,1	42	660,5	657,9	662	23,05	80	52	30	84,1	80
2019-10-28 08:17:51	74,5	71,1	34	666,7	656,5	645	19,52	80	44	31	78,1	80
2019-10-28 08:18:51	75,6	71,1	30	669	654,1	639	17,7	81	41	30	81,2	80
2019-10-28 08:19:51	76,7	71,1	30	657,9	651,8	639	18,6	81	41	30	78,8	80
2019-10-28 08:20:51	77,5	71,1	30	654,2	649,9	639	18,8	81	41	30	80,2	80
2019-10-28 08:21:51	78	71,1	30	650,1	648,2	639	19,09	81	41	30	79,2	80
2019-10-28 08:22:51	78,5	71,1	30	653,6	646,8	639	18,48	81	41	30	84,7	80
2019-10-28 08:23:51	79,2	71,1	30	646,7	645,6	639	19,16	81	41	30	87,6	80
2019-10-28 08:41:51	67,7	71,1	82	169,1	249,9	764	54,85	80	93	45	74,3	80
2019-10-28 08:42:51	67,4	71,1	82	211,5	329,4	764	61,43	80	93	52	78,8	80
2019-10-28 08:43:51	67,3	71,1	82	356,3	396,2	764	53,7	80	93	50	84,3	80
2019-10-28 08:44:51	67,7	71,1	82	522,4	452,2	764	40,14	80	93	53	80,6	80
2019-10-28 08:45:51	68,7	71,1	78	622,9	499,1	755	28,49	80	89	47	81,7	80
2019-10-28 08:46:51	69,9	71,1	74	649	537,4	745	24,82	80	86	38	80,7	80
2019-10-28 08:47:51	70,9	71,1	70	644	567,9	736	24,67	80	82	37	83,8	80
2019-10-28 08:48:51	71,4	71,1	66	637,9	592,4	727	24,82	80	78	37	80	80
2019-10-28 08:49:51	71,7	71,1	62	639,3	611,9	718	24,1	80	74	39	77,6	80
2019-10-28 08:50:51	72	71,1	58	643,7	628,2	709	23,14	80	70	39	81,9	80
2019-10-28 08:51:51	72,7	71,1	58	652,2	640,5	709	23,29	80	70	39	80,9	80
2019-10-28 08:52:51	73,7	71,1	54	636,4	649,8	698	24,51	80	68	39	77,6	80
2019-10-28 08:53:51	74,8	71,1	50	625,3	655,4	684	25,38	80	59	37	82	80
2019-10-28 08:54:51	75,8	71,1	42	640,7	657	662	21,18	80	52	32	80,8	80
2019-10-28 08:55:51	76,5	71,1	38	651,2	656,5	652	18,61	80	48	32	78,6	80
2019-10-28 08:56:51	76,7	71,1	38	656,1	655,8	652	17,94	80	48	31	82,4	80
2019-10-28 08:57:51	76,2	71,1	38	653,8	655,2	652	18,14	80	48	30	87	80
2019-10-28 08:58:51	75,2	71,1	38	642,2	654,6	652	19,58	80	48	32	79,5	80
2019-10-28 08:59:51	74,3	71,1	42	642,9	655,4	662	21,22	80	52	32	79,4	80
2019-10-28 09:00:51	74,4	71,1	42	647	656,4	662	20,98	80	52	30	79,1	80
2019-10-28 09:01:51	75,4	71,1	38	657,6	656,6	652	18,34	80	48	30	87	80
2019-10-28 09:02:51	76,4	71,1	30	653,8	655	639	16,4	81	41	30	81,6	80
2019-10-28 09:03:51	77,2	71,1	30	641,8	652,5	639	17,57	81	41	30	83	80
2019-10-28 09:04:51	77,7	71,1	30	638,1	650,5	639	18,02	81	41	30	77,1	80
2019-10-28 09:05:51	78,3	71,1	30	647,4	648,7	639	16,75	81	41	30	77,5	80
2019-10-28 09:06:51	78,9	71,1	30	647,3	647,2	639	16,58	81	41	30	77,6	80
2019-10-28 09:20:51	67,8	71,1	82	199,5	246,5	764	47,64	80	93	43	78,8	80
2019-10-28 09:21:51	67,3	71,1	82	203,5	326,6	764	58,51	80	93	47	86,4	80
2019-10-28 09:22:51	67,2	71,1	82	294,6	393,7	764	57,96	80	93	52	77,1	80
2019-10-28 09:23:51	67,8	71,1	82	462,2	450,2	764	45,49	80	93	53	82,5	80
2019-10-28 09:24:51	69,1	71,1	74	579	496,7	745	30,01	80	86	39	95,1	80
2019-10-28 09:25:51	70,5	71,1	70	621,8	534,8	736	25,14	80	82	38	78,9	80
2019-10-28 09:26:51	71,5	71,1	66	636	564,8	727	23,12	80	78	39	76,2	80
2019-10-28 09:27:51	71,9	71,1	66	632,3	589,5	727	25,43	80	78	37	84,3	80
2019-10-28 09:28:51	71,7	71,1	62	631	610,1	718	25,25	80	74	36	83,2	80
2019-10-28 09:29:51	71,2	71,1	62	636,1	626,6	718	26,36	80	74	40	75,5	80
2019-10-28 09:30:51	71,1	71,1	62	642,6	640,8	718	27,28	80	74	39	77,9	80
2019-10-28 09:31:51	71,5	71,1	62	650,6	652,6	718	27,74	80	74	39	78,1	80
2019-10-28 09:32:51	72,3	71,1	58	655,3	662	709	26,31	80	70	38	79,9	80
2019-10-28 09:33:51	73,4	71,1	54	650,2	668,5	698	26,14	80	68	38	83,4	80
2019-10-28 09:34:51	74,5	71,1	46	653,5	671,2	672	23,22	80	55	30	79,7	80
2019-10-28 09:35:51	75,6	71,1	42	654,5	670,3	662	21,93	80	52	32	76,1	80
2019-10-28 09:36:51	76,5	71,1	38	668,6	668	652	18,66	80	48	31	81,7	80
2019-10-28 09:37:51	77,3	71,1	30	670,8	664,8	639	15,8	81	41	30	78,5	80
2019-10-28 09:38:51	78	71,1	30	658,3	660,8	639	16,82	81	41	30	82,3	80
2019-10-28 09:39:51	78,5	71,1	30	642,2	657,4	639	18,47	81	41	30	88,3	80
2019-10-28 09:40:51	79,1	71,1	30	630,5	654,6	639	19,9	81	41	30	89,8	80
2019-10-28 10:01:51	66,6	71,1	86	156,8	235	779	55,99	80	98	48	75,5	80
2019-10-28 10:02:51	66,3	71,1	86	201,8	319,8	779	62,87	80	98	52	79,7	80
2019-10-28 10:03:51	66,7	71,1	86	342,7	389,8	779	56,08	80	98	57	79,1	80
2019-10-28 10:04:51	68,1	71,1	78	507,6	447,7	755	36,24	80	89	46	95,3	80
2019-10-28 10:05:51	70,1	71,1	70	599,6	493,9	736	23,67	80	82	37	79,5	80

Appendix 16

2019-10-28	10:06:51	72	71,1	62	640,4	529,9	718	16,4	80	74	37	81,2	80
2019-10-28	10:07:51	73,4	71,1	54	635	558,2	698	14,78	80	68	37	79,7	80
2019-10-28	10:08:51	74,2	71,1	50	608,9	578,6	684	17,73	80	59	41	72,7	80
2019-10-28	10:09:51	74,6	71,1	50	589,8	594,8	684	21,79	80	59	38	80,3	80
2019-10-28	10:10:51	74,1	71,1	50	591,5	608,5	684	23,46	80	59	38	80,7	80
2019-10-28	10:11:51	73,3	71,1	54	600,4	621,9	698	25,99	80	68	37	89	80
2019-10-28	10:12:51	73	71,1	54	618,7	633,7	698	25,56	80	68	35	89,4	80
2019-10-28	10:13:51	73	71,1	54	622,8	643,5	698	26,57	80	68	38	79,2	80
2019-10-28	10:14:51	72,7	71,1	58	639,8	653	709	27,8	80	70	36	87,6	80
2019-10-28	10:15:51	72,5	71,1	54	652,5	661,1	698	25,55	80	68	40	74,5	80
2019-10-28	10:16:51	72,3	71,1	54	654,3	666,7	698	26,08	80	68	38	82,3	80
2019-10-28	10:17:51	72,6	71,1	54	655,1	671,6	698	26,88	80	68	38	81	80
2019-10-28	10:18:51	73,1	71,1	50	658	675,1	684	25,68	80	59	36	87,6	80
2019-10-28	10:19:51	73,7	71,1	50	663,2	676,5	684	25,5	80	59	38	87	80
2019-10-28	10:20:51	74,4	71,1	46	665,1	676,4	672	23,9	80	55	32	79,8	80
2019-10-28	10:21:51	75,2	71,1	38	667,5	674,9	652	20,8	80	48	31	79,2	80
2019-10-28	10:22:51	76,2	71,1	34	669,2	671,1	645	18,95	80	44	30	87,5	80
2019-10-28	10:23:51	77,2	71,1	30	662,6	666,8	639	18,23	81	41	30	79	80
2019-10-28	10:24:51	78,1	71,1	30	651,7	662,6	639	19,07	81	41	30	77,4	80
2019-10-28	10:25:51	78,8	71,1	30	646,8	659	639	19,49	81	41	31	79,1	80
2019-10-28	11:01:51	66,7	71,1	0	130,5	139,3	139,3	30	20	100	46	76,5	80
2019-10-28	11:06:51	67,6	71,1	82	259,5	286,7	764	46,72	80	93	43	81,2	80
2019-10-28	11:07:51	67,7	71,1	82	259,7	360	764	56,79	80	93	47	96	80
2019-10-28	11:08:51	67,8	71,1	82	331,3	421,5	764	57,58	80	93	49	90,3	80
2019-10-28	11:09:51	68,5	71,1	78	468	473,2	755	45,14	80	89	47	84,8	80
2019-10-28	11:10:51	69,9	71,1	74	585,2	515,9	745	32,71	80	86	38	81,9	80
2019-10-28	11:11:51	71,7	71,1	66	635,4	549,1	727	24,09	80	78	38	83,4	80
2019-10-28	11:12:51	73	71,1	58	642,5	575,1	709	20,62	80	70	39	76,1	80
2019-10-28	11:13:51	72,2	71,1	58	632,4	596,1	709	23,4	80	70	37	84,8	80
2019-10-28	11:14:51	70,6	71,1	66	625,9	614,8	727	30,16	80	78	41	74	80
2019-10-28	11:15:51	69,8	71,1	70	629,9	632,9	736	34,24	80	82	38	83,6	80
2019-10-28	11:16:51	70,2	71,1	66	653,1	648,2	727	30,9	80	78	39	76,7	80
2019-10-28	11:17:51	71,5	71,1	62	680	659,7	718	26,62	80	74	38	81,3	80
2019-10-28	11:18:51	73	71,1	54	688,5	667,5	698	22,32	80	68	39	76,9	80
2019-10-28	11:19:51	74,4	71,1	46	672,2	670,9	672	21,27	80	55	30	83,5	80
2019-10-28	11:20:51	75,3	71,1	42	656,4	670,4	662	21,79	80	52	30	77,1	80
2019-10-28	11:21:51	75,7	71,1	42	662,2	669,1	662	21,16	80	52	32	79,3	80
2019-10-28	11:22:51	76,2	71,1	38	670	667,3	652	18,61	80	48	30	87,2	80
2019-10-28	11:23:51	76,9	71,1	34	667,1	664,6	645	17,43	80	44	30	85	80
2019-10-28	11:24:51	77,8	71,1	30	656,7	660,8	639	17,22	81	41	30	78,2	80
2019-10-28	11:25:51	78,9	71,1	30	641,3	657,4	639	18,81	81	41	30	78,4	80
2019-10-28	11:44:51	67	71,1	82	162,4	174,6	764	43,65	80	93	41	85,3	80
2019-10-28	11:45:51	66	71,1	86	162,2	266,6	779	59,5	80	98	48	93,3	80
2019-10-28	11:46:51	65,6	71,1	90	226,9	347,4	785	68,02	80	98	54	79,4	80
2019-10-28	11:47:51	65,9	71,1	90	394,8	414,1	785	57,32	80	98	59	88,5	80
2019-10-28	11:48:51	67,3	71,1	82	556	469,8	764	36,09	80	93	56	90,5	80
2019-10-28	11:49:51	69	71,1	74	616	514,1	745	26,28	80	86	46	85,3	80
2019-10-28	11:50:51	70,3	71,1	70	625,3	548,8	736	24,99	80	82	39	81,2	80
2019-10-28	11:51:51	71,3	71,1	66	630,7	577,1	727	24,12	80	78	39	77,4	80
2019-10-28	11:52:51	72,1	71,1	58	637,1	600	709	21,02	80	70	38	81,5	80
2019-10-28	11:53:51	72,8	71,1	58	637,1	616,6	709	22,47	80	70	36	87,5	80
2019-10-28	11:54:51	73,5	71,1	54	632,6	629,4	698	22,6	80	68	37	84,4	80
2019-10-28	11:55:51	74,4	71,1	50	634,8	638,7	684	21,85	80	59	37	83,8	80
2019-10-28	11:56:51	75,7	71,1	46	641,1	644,6	672	20,21	80	55	30	85,4	80
2019-10-28	11:57:51	76,3	71,1	38	655,5	646,6	652	15,92	80	48	31	83	80
2019-10-28	11:58:51	75,4	71,1	42	656,3	648,2	662	17,39	80	52	32	81,2	80
2019-10-28	11:59:51	74,5	71,1	46	648,5	651,1	672	20,06	80	55	30	86,7	80
2019-10-28	12:00:51	74	71,1	46	637,3	654,3	672	21,95	80	55	30	86,3	80
2019-10-28	12:01:51	73,9	71,1	50	634,7	658,8	684	24,83	80	59	38	79	80
2019-10-28	12:02:51	74,7	71,1	46	636,6	660,8	672	23,68	80	55	31	79,5	80
2019-10-28	12:03:51	75,9	71,1	38	641,8	660,4	652	20,65	80	48	30	80,6	80
2019-10-28	12:04:51	77,2	71,1	30	651,3	657,9	639	17,22	81	41	32	79,5	80
2019-10-28	12:05:51	78,4	71,1	30	648,6	655	639	17,21	81	41	30	86	80
2019-10-28	12:06:51	79,3	71,1	30	640	652,5	639	18,06	81	41	30	78,1	80
2019-10-28	12:29:51	67,5	71,1	82	148,3	182,7	764	46,02	16	93	42	83,1	80
2019-10-28	12:30:51	66,8	71,1	86	183,1	271,7	779	57,52	80	100	100	171,9	80
2019-10-28	12:31:51	67	71,1	82	369,9	349,6	764	41,61	80	93	63	78,6	80
2019-10-28	12:32:51	68,4	71,1	78	547,4	412,9	755	23,07	80	89	48	82,3	80
2019-10-28	12:33:51	70,8	71,1	70	602,8	464,5	736	14,42	80	82	37	80,7	80
2019-10-28	12:34:51	72,6	71,1	62	606	504	718	11,86	80	74	38	78,5	80

Appendix 16

2019-10-28 12:35:51	73,8	71,1	54	587,7	535,1	698	12,5	80	68	37	83,3	80
2019-10-28 12:36:51	74,6	71,1	50	568,1	558	684	15,43	80	59	38	81,6	80
2019-10-28 12:37:51	75,3	71,1	46	556,7	576,4	672	17,52	80	55	30	78,7	80
2019-10-28 12:38:51	75,9	71,1	46	545,6	591	672	21,23	80	55	31	78,9	80
2019-10-28 12:39:51	76,5	71,1	38	560,1	601,5	652	18,87	80	48	30	85,5	80
2019-10-28 12:40:51	77,4	71,1	34	585,4	608,8	645	16,12	80	44	32	76,8	80
2019-10-28 12:41:51	78,4	71,1	30	593,6	613,9	639	15,16	81	41	32	81,7	80
2019-10-28 12:42:51	78,5	71,1	30	591	617,7	639	16,38	81	41	30	85,4	80
2019-10-28 12:43:51	76,6	71,1	38	594,5	621,7	652	19,15	80	48	32	78,7	80
2019-10-28 12:44:51	74,7	71,1	46	603,6	627,7	672	22,07	80	55	31	78,8	80
2019-10-28 12:45:51	74,1	71,1	46	615	634,6	672	21,99	80	55	32	81,5	80
2019-10-28 12:46:51	74,8	71,1	46	633,2	640,4	672	20,66	80	55	30	83,8	80
2019-10-28 12:47:51	76	71,1	34	635,8	642,7	645	16,64	80	44	32	80,7	80
2019-10-28 12:48:51	77,6	71,1	30	636	642,7	639	15,63	81	41	30	86	80
2019-10-28 12:49:51	78,8	71,1	30	628,1	642,1	639	16,64	81	41	30	85,3	80
2019-10-28 13:18:51	68,1	71,1	0	135,7	150	150	30	20	100	45	78,7	80
2019-10-28 13:23:51	70,7	71,1	70	299,7	341,6	736	37	80	82	35	82,5	80
2019-10-28 13:24:51	71	71,1	66	297,8	401,7	727	43,51	80	78	36	84,3	80
2019-10-28 13:25:51	71,4	71,1	66	353,9	451,3	727	44,79	80	78	39	77,2	80
2019-10-28 13:26:51	71,9	71,1	66	465,2	493,6	727	37,74	80	78	38	82,2	80
2019-10-28 13:27:51	72,4	71,1	62	580	528,5	718	25,69	80	74	39	85,8	80
2019-10-28 13:28:51	72,2	71,1	62	633,4	557,6	718	21,46	80	74	37	88,8	80
2019-10-28 13:29:51	71,8	71,1	66	639,9	583	727	24,63	80	78	40	79,1	80
2019-10-28 13:30:51	71,2	71,1	66	639,3	604,9	727	26,48	80	78	37	81,8	80
2019-10-28 13:31:51	70,9	71,1	70	642,6	624,1	736	30,3	80	82	38	80,1	80
2019-10-28 13:32:51	71,3	71,1	62	638,5	640,2	718	27,96	80	74	36	83,8	80
2019-10-28 13:33:51	72	71,1	58	638,2	652	709	27,56	80	70	37	80,9	80
2019-10-28 13:34:51	73,1	71,1	54	639,9	660,5	698	26,89	80	68	36	85,5	80
2019-10-28 13:35:51	74,1	71,1	50	642,3	665,8	684	26,07	80	59	37	83,4	80
2019-10-28 13:36:51	75,2	71,1	46	651,1	668,2	672	24,09	80	55	32	81,9	80
2019-10-28 13:37:51	76,4	71,1	38	656,7	667,7	652	20,82	80	48	33	77,3	80
2019-10-28 13:38:51	77,6	71,1	34	656	664,7	645	19,38	80	44	30	78,8	80
2019-10-28 13:39:51	78,7	71,1	30	650	661,1	639	18,86	81	41	31	80,8	80
2019-10-28 13:53:51	68,7	71,1	78	207,7	300,6	755	51,66	80	89	38	83,2	80
2019-10-28 13:54:51	68,7	71,1	78	243,9	370,4	755	57,96	80	89	49	76	80
2019-10-28 13:55:51	69,2	71,1	74	379,8	428,4	745	47,64	80	86	40	78,2	80
2019-10-28 13:56:51	70,6	71,1	70	537,4	476,5	736	31,69	80	82	39	76,7	80
2019-10-28 13:57:51	72,1	71,1	62	633,1	515,6	718	18,48	80	74	38	79,8	80
2019-10-28 13:58:51	72,6	71,1	62	652,7	546,5	718	17,58	80	74	37	86,7	80
2019-10-28 13:59:51	72,1	71,1	62	638,2	572,8	718	20,84	80	74	36	84,9	80
2019-10-28 14:00:51	71,9	71,1	62	617,4	594,7	718	25,13	80	74	39	80,4	80
2019-10-28 14:01:51	72,4	71,1	58	615,3	612,7	709	25,4	80	70	40	74,5	80
2019-10-28 14:02:51	73,4	71,1	54	625,7	627	698	24,06	80	68	38	79,7	80
2019-10-28 14:03:51	74,7	71,1	50	623,2	636,5	684	24	80	59	37	81,4	80
2019-10-28 14:04:51	75,9	71,1	46	627,2	642,3	672	22,9	80	55	31	77,5	80
2019-10-28 14:05:51	76,9	71,1	38	635,7	643,9	652	19,46	80	48	30	86,8	80
2019-10-28 14:06:51	77,8	71,1	34	646	644,2	645	17,07	80	44	32	80,4	80
2019-10-28 14:07:51	78,7	71,1	30	641,4	643,5	639	16,54	81	41	30	81,4	80
2019-10-28 14:31:51	67,6	71,1	82	145,8	166,1	764	43,96	16	93	44	76,7	80
2019-10-28 14:32:51	67	71,1	82	162,1	259,3	764	54,47	80	100	100	185,9	80
2019-10-28 14:33:51	66,8	71,1	86	283,2	339	779	54,72	80	98	45	46,6	80
2019-10-28 14:34:51	67,4	71,1	82	452,5	404,8	764	38,86	80	93	59	86,1	80
2019-10-28 14:35:51	68,8	71,1	78	575,5	459,1	755	25,67	80	89	48	78,4	80
2019-10-28 14:36:51	70,3	71,1	70	605,2	502,4	736	19,73	80	82	40	76	80
2019-10-28 14:37:51	71,4	71,1	66	605,5	538,2	727	19,93	80	78	37	84,3	80
2019-10-28 14:38:51	72,1	71,1	58	603,1	566,2	709	18,4	80	70	38	83,1	80
2019-10-28 14:39:51	72,5	71,1	58	598,1	588,1	709	21,2	80	70	37	84,2	80
2019-10-28 14:40:51	72,8	71,1	58	599,3	606,7	709	23,28	80	70	40	75,6	80
2019-10-28 14:41:51	73,1	71,1	54	605,9	621,3	698	22,64	80	68	39	76,7	80
2019-10-28 14:42:51	73,3	71,1	54	609,9	633,2	698	23,97	80	68	39	80	80
2019-10-28 14:43:51	72,9	71,1	58	620,9	643,2	709	26,1	80	70	39	81,4	80
2019-10-28 14:44:51	72	71,1	58	626,9	653,3	709	27,05	80	70	40	77,4	80
2019-10-28 14:45:51	71,2	71,1	62	648,9	663,2	718	28,04	80	74	39	81,5	80
2019-10-28 14:46:51	71	71,1	62	677,7	671,5	718	25,63	80	74	38	82	80
2019-10-28 14:47:51	72	71,1	54	686,8	678,3	698	21,45	80	68	37	82,9	80
2019-10-28 14:48:51	73,8	71,1	50	673,7	680,4	684	21,67	80	59	37	83,5	80
2019-10-28 14:49:51	75,5	71,1	42	663,2	678,8	662	19,92	80	52	32	80,3	80
2019-10-28 14:50:51	76,7	71,1	38	649,8	675,2	652	20,08	80	48	32	78,3	80
2019-10-28 14:51:51	77,5	71,1	30	646,6	670,3	639	18,19	81	41	32	76,8	80
2019-10-28 14:52:51	78,3	71,1	30	655,3	665,5	639	16,88	81	41	30	85,4	80

Appendix 16

2019-10-28 15:17:51	68,2	71,1	78	147	209,6	755	45,68	16	89	46	82	80
2019-10-28 15:18:51	68	71,1	78	221,8	293,4	755	48,31	80	100	100	168,9	80
2019-10-28 15:19:51	68,6	71,1	78	381,5	363,7	755	38,12	80	89	52	75,7	80
2019-10-28 15:20:51	70,3	71,1	70	533,2	423,2	736	20,34	80	82	37	83,4	80
2019-10-28 15:21:51	72,1	71,1	62	593,1	469,8	718	11,78	80	74	38	82,9	80
2019-10-28 15:22:51	73,7	71,1	58	595,2	507,2	709	11,98	80	70	38	83,6	80
2019-10-28 15:23:51	75,1	71,1	46	577,9	534,6	672	11,08	80	55	31	96,3	80
2019-10-28 15:24:51	76	71,1	42	558,1	555,8	662	14,19	80	52	30	77,8	80
2019-10-28 15:25:51	76,6	71,1	42	553	572	662	16,91	80	52	30	78,6	80
2019-10-28 15:26:51	76,9	71,1	42	561,6	585,8	662	17,99	80	52	30	86,5	80
2019-10-28 15:27:51	76,3	71,1	38	578,9	596,3	652	16,17	80	48	31	80,1	80
2019-10-28 15:28:51	74,8	71,1	46	594,2	606,1	672	18,59	80	55	32	78,5	80
2019-10-28 15:29:51	73,9	71,1	50	604,2	616,5	684	20,46	80	59	39	63,6	80
2019-10-28 15:30:51	73,6	71,1	50	608,2	626,8	684	21,53	80	59	38	83,5	80
2019-10-28 15:31:51	73,6	71,1	50	625,2	635,6	684	20,82	80	59	39	79,1	80
2019-10-28 15:32:51	74,3	71,1	46	630,4	642,1	672	19,59	80	55	33	77	80
2019-10-28 15:33:51	74,9	71,1	42	637,4	645,5	662	17,91	80	52	30	87	80
2019-10-28 15:34:51	74,4	71,1	42	639,8	648	662	17,94	80	52	32	78,7	80
2019-10-28 15:35:51	73,9	71,1	46	632,3	650,4	672	20,75	80	55	31	77,9	80
2019-10-28 15:36:51	73,7	71,1	46	640,8	653,8	672	20,45	80	55	30	86,9	80
2019-10-28 15:37:51	74,2	71,1	42	651	656,1	662	18,23	80	52	32	80,8	80
2019-10-28 15:38:51	75,3	71,1	34	654,4	656,3	645	15,25	80	44	30	76,8	80
2019-10-28 15:39:51	76,8	71,1	30	652,4	654	639	14,22	81	41	30	82,2	80
2019-10-28 15:40:51	78,4	71,1	30	641,8	651,7	639	15,23	81	41	31	81,9	80
2019-10-28 15:53:51	68	71,1	78	221,1	267,7	755	41,97	80	89	42	75,3	80
2019-10-28 15:54:51	67,7	71,1	82	220,1	343,9	764	56,14	80	93	48	83,7	80
2019-10-28 15:55:51	67,6	71,1	82	290,5	408,9	764	58,04	80	93	51	81,5	80
2019-10-28 15:56:51	68	71,1	78	442,3	463,3	755	44,53	80	89	47	97,5	80
2019-10-28 15:57:51	69	71,1	74	573,2	507,7	745	30,8	80	86	40	100,5	80
2019-10-28 15:58:51	69,9	71,1	74	633,4	544,1	745	26,4	80	86	40	78,5	80
2019-10-28 15:59:51	70,6	71,1	70	654,3	573,7	736	23,18	80	82	38	82,4	80
2019-10-28 16:00:51	71,1	71,1	66	653,4	598,3	727	22,53	80	78	36	85,5	80
2019-10-28 16:01:51	71,5	71,1	62	649,5	617,5	718	22,27	80	74	38	78,1	80
2019-10-28 16:02:51	71,8	71,1	62	646,2	632,8	718	24,08	80	74	35	88,2	80
2019-10-28 16:03:51	72	71,1	58	662,8	645,5	709	21,35	80	70	39	78,3	80
2019-10-28 16:04:51	72,5	71,1	58	659,6	655,2	709	22,7	80	70	36	85,5	80
2019-10-28 16:05:51	73,6	71,1	54	654,7	662,7	698	22,4	80	68	38	80,9	80
2019-10-28 16:06:51	75	71,1	50	650,8	666,5	672	20,26	80	55	36	83,4	80
2019-10-28 16:07:51	76,2	71,1	38	645,5	665,4	652	18,32	80	48	30	81,4	80
2019-10-28 16:08:51	76,9	71,1	38	645,1	663,3	652	18,48	80	48	31	82,5	80
2019-10-28 16:09:51	77,2	71,1	34	641,1	660,6	645	17,78	80	44	30	83,9	80
2019-10-28 16:10:51	77,5	71,1	30	634,2	657,3	639	17,65	81	41	33	75,2	80
2019-10-28 16:11:51	78,1	71,1	30	636,8	654,5	639	17,42	81	41	32	82,5	80
2019-10-28 16:12:51	78,9	71,1	30	650,8	652,1	639	15,58	81	41	30	83,1	80
2019-10-28 16:31:51	66,1	71,1	86	170,5	254,6	779	55,04	80	98	54	63,6	80
2019-10-28 16:32:51	65,3	71,1	90	201,9	336	785	67,48	80	98	51	84,8	80
2019-10-28 16:33:51	65,4	71,1	90	349	404,4	785	60,02	80	98	62	79,6	80
2019-10-28 16:34:51	66,6	71,1	86	516,4	463,4	779	42,78	80	98	64	79,7	80
2019-10-28 16:35:51	68,6	71,1	78	619,4	509,2	755	27,42	80	89	49	77,5	80
2019-10-28 16:36:51	70,7	71,1	70	651,6	545,1	736	20,34	80	82	39	77	80
2019-10-28 16:37:51	72,3	71,1	62	645	572,6	718	18,12	80	74	37	86,3	80
2019-10-28 16:38:51	73,3	71,1	54	628,8	593,3	698	17,71	80	68	39	79	80
2019-10-28 16:39:51	73,7	71,1	54	618,7	609,3	698	20,45	80	68	38	82,3	80
2019-10-28 16:40:51	74,2	71,1	50	611,1	621,8	684	21,27	80	59	40	77,6	80
2019-10-28 16:41:51	74,6	71,1	50	614	631,4	684	22,39	80	59	40	76,8	80
2019-10-28 16:42:51	74,3	71,1	50	624,2	639,5	684	22,47	80	59	38	80,3	80
2019-10-28 16:43:51	72,3	71,1	58	630	648,7	709	26,58	80	70	37	86,9	80
2019-10-28 16:44:51	70,8	71,1	66	637,7	659,4	727	31,52	80	78	38	83,8	80
2019-10-28 16:45:51	70,7	71,1	66	656,2	669,8	727	30,92	80	78	37	83,5	80
2019-10-28 16:46:51	71,6	71,1	62	680,6	677,5	718	26,78	80	74	40	75,6	80
2019-10-28 16:47:51	73,1	71,1	50	689,3	681,1	684	20,75	80	59	39	77,3	80
2019-10-28 16:48:51	74,8	71,1	46	680,4	680,6	672	20,14	80	55	30	84,2	80
2019-10-28 16:49:51	75,9	71,1	42	666,8	677,9	662	20,1	80	52	30	81,9	80
2019-10-28 16:50:51	76,6	71,1	38	664,3	674	652	18,74	80	48	32	77,5	80
2019-10-28 16:51:51	77,2	71,1	30	669,6	669,2	639	15,34	81	41	30	77,8	80
2019-10-28 16:52:51	77	71,1	30	664,8	664,6	639	15,36	81	41	30	79,8	80
2019-10-28 16:53:51	76,7	71,1	34	650,8	661,4	645	17,69	80	44	30	77,3	80
2019-10-28 16:54:51	76,6	71,1	34	645,8	658,9	645	18,23	80	44	30	82,6	80
2019-10-28 16:55:51	76,8	71,1	30	654,4	655,9	639	15,95	81	41	30	86,5	80
2019-10-28 16:56:51	77,1	71,1	30	657,2	653,4	639	15,3	81	41	31	81,8	80

Appendix 16

2019-10-28 16:57:51	77,3	71,1	30	649,5	651,2	639	15,96	81	41	30	83,8	80
2019-10-28 16:58:51	77	71,1	30	641,4	649,3	639	16,72	81	41	30	84	80
2019-10-28 16:59:51	76,8	71,1	34	642,8	648,6	645	17,48	80	44	31	83,3	80
2019-10-28 17:00:51	77,3	71,1	30	655,6	647,6	639	14,82	81	41	30	84,2	80
2019-10-28 17:01:51	78,6	71,1	30	652,9	646,3	639	14,97	81	41	30	83,2	80
2019-10-28 17:32:51	65	71,1	0	142,4	150	150	30	20	100	49	84,8	80
2019-10-28 17:36:51	66,8	71,1	86	305,6	343,2	779	49,2	80	98	44	84,4	80
2019-10-28 17:46:51	63,7	71,1	100	189,2	294,8	805	73,29	80	100	49	85,3	80
2019-10-28 17:47:51	63,9	71,1	100	247,1	373,1	805	78,14	80	100	51	79,7	80
2019-10-28 17:48:51	64,6	71,1	94	397,9	437,4	792	64,23	80	98	60	74,1	80
2019-10-28 17:49:51	65,7	71,1	90	551,1	490,7	785	47,32	80	98	56	82,6	80
2019-10-28 17:50:51	67	71,1	82	615,5	535,8	764	35,74	80	93	47	86,4	80
2019-10-28 17:51:51	68	71,1	78	643,7	570,8	755	31,86	80	89	44	93,4	80
2019-10-28 17:52:51	68,8	71,1	78	651,6	598,9	755	33,05	80	89	44	89,1	80
2019-10-28 17:53:51	69,4	71,1	74	655,9	621,4	745	31,64	80	86	36	87,3	80
2019-10-28 17:54:51	70	71,1	70	666,6	640,5	736	29,48	80	82	39	78,2	80
2019-10-28 17:55:51	70,6	71,1	70	675,3	655	736	29,74	80	82	38	78,2	80
2019-10-28 17:56:51	71,2	71,1	62	685,2	666,9	718	25,02	80	74	38	77,2	80
2019-10-28 17:57:51	71,6	71,1	62	691	674,7	718	24,89	80	74	37	82,3	80
2019-10-28 17:58:51	71,3	71,1	62	688,7	681,4	718	25,79	80	74	37	85,1	80
2019-10-28 17:59:51	71,1	71,1	62	689,9	687	718	26,31	80	74	39	76,9	80
2019-10-28 18:00:51	71,6	71,1	62	690	691,8	718	26,87	80	74	36	85,3	80
2019-10-28 18:01:51	72,7	71,1	58	683,4	694,9	709	26,08	80	70	38	81,7	80
2019-10-28 18:02:51	74,3	71,1	46	672,8	695	672	22,7	80	55	37	81	80
2019-10-28 18:03:51	76	71,1	38	669,7	690,5	652	20,16	80	48	31	79	80
2019-10-28 18:04:51	77,4	71,1	34	677	684,2	645	17,58	80	44	30	85,2	80
2019-10-28 18:05:51	78,6	71,1	30	674,9	677,6	639	16,06	81	41	30	79,3	80
2019-10-28 18:32:51	66,9	71,1	0	142,1	150	150	30	20	100	52	75,8	80
2019-10-28 18:37:51	69,1	71,1	74	273,1	352,1	745	45,22	80	86	40	71,2	80
2019-10-28 18:38:51	69,4	71,1	74	314,9	413,4	745	49,44	80	86	40	76,3	80
2019-10-28 18:39:51	69,9	71,1	74	433,2	463,9	745	42,63	80	86	40	79,8	80
2019-10-28 18:40:51	70,9	71,1	70	568,5	505,7	736	28,42	80	82	39	82	80
2019-10-28 18:41:51	72,2	71,1	62	630,4	539,1	718	18,82	80	74	38	85,2	80
2019-10-28 18:42:51	72,5	71,1	62	636,6	567	718	19,81	80	74	36	87,6	80
2019-10-28 18:43:51	71,2	71,1	66	620	590,9	727	25,93	80	78	37	84,8	80
2019-10-28 18:44:51	69,5	71,1	74	618,4	613,2	745	33,54	80	86	41	72	80
2019-10-28 18:45:51	68,6	71,1	78	635,1	634,3	755	36,86	80	89	47	82,4	80
2019-10-28 18:46:51	68,5	71,1	82	654,6	653,5	764	40,02	80	93	48	82,4	80
2019-10-28 18:47:51	68,7	71,1	82	666,8	670,6	764	40,62	80	93	51	81,2	80
2019-10-28 18:48:51	69	71,1	78	682,7	684,6	755	37,2	80	89	47	80,8	80
2019-10-28 18:49:51	69,4	71,1	78	688,3	695,3	755	37,81	80	89	44	89,8	80
2019-10-28 18:50:51	70	71,1	74	691,3	704,4	745	35,86	80	86	41	100,9	80
2019-10-28 18:51:51	70,9	71,1	74	698,8	710,6	745	35,93	80	86	38	82,5	80
2019-10-28 18:52:51	72,4	71,1	66	697,7	714,1	727	31,78	80	78	38	78,8	80
2019-10-28 18:53:51	74	71,1	54	697,5	714,4	698	26,14	80	68	37	82,5	80
2019-10-28 18:54:51	75,6	71,1	50	691,3	710,9	684	25,22	80	59	35	87	80
2019-10-28 18:55:51	77,2	71,1	42	679,2	705	662	23,4	80	52	31	80,2	80
2019-10-28 18:56:51	78,3	71,1	34	679,8	697,3	645	20,24	80	44	30	84,3	80
2019-10-28 18:57:51	78,4	71,1	34	682,4	689,3	645	19,12	80	44	30	88,8	80
2019-10-28 18:58:51	77,2	71,1	38	679,4	682,9	652	19,94	80	48	30	83,7	80
2019-10-28 18:59:51	75,9	71,1	46	670,6	679,5	672	23,4	80	55	30	79,9	80
2019-10-28 19:31:51	69,1	71,1	0	128,4	144,2	144,2	30	20	100	50	81	80
2019-10-28 19:36:51	71,9	71,1	66	305,4	385	727	42,05	80	78	38	79,6	80
2019-10-28 19:37:51	71,9	71,1	66	340	436,7	727	45,92	80	78	41	79,5	80
2019-10-28 19:38:51	71,3	71,1	66	452	480,9	727	39,1	80	78	40	75,2	80
2019-10-28 19:39:51	71,1	71,1	66	577,1	519,3	727	28,34	80	78	39	78,4	80
2019-10-28 19:40:51	71,6	71,1	66	644,2	551,2	727	22,57	80	78	38	77,9	80
2019-10-28 19:41:51	72,5	71,1	62	664	577,2	718	19,32	80	74	38	78,2	80
2019-10-28 19:42:51	73,1	71,1	54	656	598	698	17,59	80	68	37	81,2	80
2019-10-28 19:43:51	72,1	71,1	58	640,9	614,4	709	22,36	80	70	39	77,7	80
2019-10-28 19:44:51	70,6	71,1	66	634,6	630,7	727	29,02	80	78	35	87,7	80
2019-10-28 19:45:51	69,6	71,1	70	640,2	646,1	736	32,61	80	82	39	74,3	80
2019-10-28 19:46:51	69,1	71,1	70	662,5	659,8	736	31,58	80	82	36	85,7	80
2019-10-28 19:47:51	69,1	71,1	70	677,5	671,5	736	31,17	80	82	38	80,7	80
2019-10-28 19:48:51	69,6	71,1	70	686,8	681,3	736	31,21	80	82	38	84,2	80
2019-10-28 19:49:51	70,8	71,1	66	699	688,8	727	28,12	80	78	36	81	80
2019-10-28 19:50:51	72,2	71,1	54	697,3	692,8	698	22,78	80	68	37	85,2	80
2019-10-28 19:51:51	73,8	71,1	50	693,5	692,4	684	21,58	80	59	36	86,9	80
2019-10-28 19:52:51	75,2	71,1	42	684,2	689,2	662	19,32	80	52	30	84,9	80
2019-10-28 19:53:51	76,4	71,1	38	670,5	684,4	652	19,1	80	48	30	81,9	80

Appendix 16

2019-10-28 19:54:51	77,5	71,1	30	669,1	678,4	639	16,58	81	41	30	83,2	80
2019-10-28 19:55:51	78,3	71,1	30	662,9	672,4	639	16,63	81	41	30	89,3	80
2019-10-28 19:56:51	79	71,1	30	648,1	667,2	639	18,05	81	41	30	89,9	80
2019-10-28 19:57:51	78,8	71,1	34	647,8	663,2	645	18,94	80	44	30	81,6	80
2019-10-28 19:58:51	77,9	71,1	34	653,7	660	645	18,03	80	44	30	80,7	80
2019-10-28 19:59:51	77,1	71,1	34	653,6	657,7	645	17,78	80	44	30	88,2	80
2019-10-28 20:00:51	76,1	71,1	38	654,5	656,7	652	18,76	80	48	30	82,7	80
2019-10-28 20:01:51	75,6	71,1	42	653,9	657,2	662	20,3	80	52	30	82	80
2019-10-28 20:02:51	75,8	71,1	42	663	658	662	19,3	80	52	30	77,1	80
2019-10-28 20:03:51	76,9	71,1	34	669,9	656,4	645	15,57	80	44	30	81,2	80
2019-10-28 20:04:51	78,4	71,1	30	665,1	653,8	639	14,58	81	41	30	80,5	80
2019-10-28 20:32:51	65,6	71,1	0	139,2	150	150	30	20	100	48	87,2	80
2019-10-28 20:36:51	66,6	71,1	86	300,9	315,7	779	46,45	80	98	42	83,9	80
2019-10-28 20:37:51	66,3	71,1	86	292,7	386,9	779	57,1	80	98	52	83,1	80
2019-10-28 20:38:51	66,1	71,1	86	373,4	448	779	56,61	80	98	56	79,6	80
2019-10-28 20:39:51	66,7	71,1	86	510,3	498,5	779	46,82	80	98	58	82,6	80
2019-10-28 20:40:51	67,9	71,1	82	610,3	539,9	764	35,3	80	93	51	83	80
2019-10-28 20:41:51	69,4	71,1	74	649,8	572,3	745	26,98	80	86	37	87	80
2019-10-28 20:42:51	70,5	71,1	70	661,3	598	736	24,71	80	82	38	80,3	80
2019-10-28 20:43:51	70,8	71,1	70	657,8	619,6	736	26,72	80	82	39	78,4	80
2019-10-28 20:44:51	70,2	71,1	70	657,6	637,3	736	28,32	80	82	37	83,2	80
2019-10-28 20:45:51	69,6	71,1	74	661,5	653,5	745	32,19	80	86	37	84,2	80
2019-10-28 20:46:51	69,7	71,1	74	667,9	667,4	745	33,08	80	86	38	81,7	80
2019-10-28 20:47:51	70,2	71,1	74	690	679	745	31,78	80	86	37	86,8	80
2019-10-28 20:48:51	71,3	71,1	70	695,4	688,9	736	29,62	80	82	37	82,3	80
2019-10-28 20:49:51	72,5	71,1	66	702,7	695,4	727	27,1	80	78	36	85	80
2019-10-28 20:50:51	74	71,1	58	703,5	699,3	709	23,26	80	70	37	84,3	80
2019-10-28 20:51:51	75,4	71,1	54	690,4	700,2	698	23,14	80	68	39	78,8	80
2019-10-28 20:52:51	76,7	71,1	46	679,3	697,6	672	21,25	80	55	30	82	80
2019-10-28 20:53:51	77,8	71,1	42	672,4	692,5	662	20,45	80	52	30	78,5	80
2019-10-28 20:54:51	78,8	71,1	34	672,2	685,8	645	17,39	80	44	33	77,2	80
2019-10-28 21:26:51	68,7	71,1	0	136,8	146,5	146,5	30	20	100	52	76,6	80
2019-10-28 21:30:51	67,3	71,1	82	310,5	353,3	764	45,38	80	93	44	83	80
2019-10-28 21:31:51	67,1	71,1	82	312,3	415,9	764	54,19	80	93	47	85,6	80
2019-10-28 21:32:51	67,3	71,1	82	401,9	469,3	764	51,64	80	93	52	80,1	80
2019-10-28 21:33:51	67,9	71,1	82	531,8	514,6	764	41,96	80	93	49	83,3	80
2019-10-28 21:34:51	69	71,1	74	600,7	551,2	745	31,34	80	86	43	90,3	80
2019-10-28 21:35:51	70,1	71,1	70	631	581,1	736	27,69	80	82	38	78,7	80
2019-10-28 21:36:51	70,9	71,1	70	646,5	604,7	736	27,77	80	82	40	77	80
2019-10-28 21:37:51	71,5	71,1	66	660,2	623,6	727	25,25	80	78	36	86,5	80
2019-10-28 21:38:51	72,1	71,1	58	658,9	638,4	709	22,41	80	70	38	81,7	80
2019-10-28 21:39:51	72,6	71,1	58	650,9	649,2	709	24,5	80	70	38	79,4	80
2019-10-28 21:40:51	73,2	71,1	54	652,9	657,8	698	23,51	80	68	37	84,6	80
2019-10-28 21:41:51	74,2	71,1	50	654,6	663,4	684	22,39	80	59	38	77,1	80
2019-10-28 21:42:51	74,8	71,1	50	650,8	666,6	684	23,45	80	59	37	83,1	80
2019-10-28 21:43:51	74,4	71,1	50	650,6	669,3	684	24,12	80	59	36	87,7	80
2019-10-28 21:44:51	73,6	71,1	54	645,6	672,5	698	27,13	80	68	36	86,3	80
2019-10-28 21:45:51	72,9	71,1	54	658,6	675,6	698	26,41	80	59	37	79,7	80
2019-10-28 21:46:51	72,8	71,1	54	663,9	679,1	698	26,48	80	68	38	81,3	80
2019-10-28 21:47:51	73,4	71,1	50	674	680,7	684	24,04	80	59	40	76,6	80
2019-10-28 21:48:51	74,4	71,1	46	670,7	680,3	672	22,8	80	55	30	82,3	80
2019-10-28 21:49:51	75,5	71,1	42	669,3	678,3	662	21,47	80	52	30	81,5	80
2019-10-28 21:50:51	76,7	71,1	34	673,2	674,2	645	17,92	80	44	30	79,5	80
2019-10-28 21:51:51	77,9	71,1	30	672,1	669	639	16,42	81	41	30	84,4	80
2019-10-28 21:52:51	78,8	71,1	30	666,9	664,4	639	16,49	81	41	30	86,8	80
2019-10-28 22:16:51	67,5	71,1	82	142,9	197,8	764	48,86	80	100	100	219,9	80
2019-10-28 22:17:51	67,3	71,1	82	186,7	284,1	764	55,59	80	100	100	177,4	80
2019-10-28 22:18:51	67,6	71,1	82	334,6	357,8	764	48	80	93	56	86,1	80
2019-10-28 22:19:51	68,7	71,1	78	527,7	419,3	755	28,14	80	89	46	88,2	80
2019-10-28 22:20:51	70,6	71,1	70	619,4	469	736	14,32	80	82	36	87,4	80
2019-10-28 22:21:51	72,6	71,1	62	633,7	508,6	718	8,71	80	74	36	85	80
2019-10-28 22:22:51	74,1	71,1	50	602,9	538,5	684	8,78	80	59	37	82,1	80
2019-10-28 22:23:51	74,9	71,1	50	575,3	560,7	684	14,02	80	59	38	78,7	80
2019-10-28 22:24:51	75,3	71,1	46	562,1	577,9	672	16,11	80	55	30	78,4	80
2019-10-28 22:25:51	75,7	71,1	46	564,1	592,2	672	18,04	80	55	30	83,3	80
2019-10-28 22:26:51	76,1	71,1	38	582,2	604,1	652	15	80	48	32	78,9	80
2019-10-28 22:27:51	76,4	71,1	38	600,4	611,4	652	14	80	48	31	83,9	80
2019-10-28 22:28:51	76	71,1	38	610	617,7	652	13,64	80	48	30	84,7	80
2019-10-28 22:29:51	75,7	71,1	42	614,4	624,3	662	15,41	80	52	31	78,3	80
2019-10-28 22:30:51	76,1	71,1	34	621,6	629,7	645	12,62	80	44	30	80,2	80

Appendix 16

2019-10-28 22:31:51	77,2	71,1	30	617,4	631,8	639	12,48	81	41	30	82,6	80
2019-10-28 22:32:51	78,4	71,1	30	605,4	632,9	639	14,47	81	41	30	88	80
2019-10-28 22:54:51	67,9	71,1	82	145	197,4	764	43,44	16	93	53	62,4	80
2019-10-28 22:55:51	67,1	71,1	82	194,4	284,4	764	49,54	80	100	100	175,8	80
2019-10-28 22:56:51	67,2	71,1	82	355,4	358,1	764	40,05	80	93	60	79	80
2019-10-28 22:57:51	68,3	71,1	78	531,3	419,5	755	21,98	80	89	47	85,1	80
2019-10-28 22:58:51	68,7	71,1	78	597,4	471	755	17,77	80	89	47	79,3	80
2019-10-28 22:59:51	68,5	71,1	78	590,4	515	755	21,91	80	89	44	83,8	80
2019-10-28 23:00:51	68,1	71,1	78	579,4	551,8	755	26,69	80	89	44	85,7	80
2019-10-28 23:01:51	68,1	71,1	78	579,7	582,8	755	30,19	80	89	44	84,1	80
2019-10-28 23:02:51	68,7	71,1	78	589,2	609,2	755	32,44	80	89	47	80,9	80
2019-10-28 23:03:51	69,9	71,1	74	611	630,2	745	29,96	80	86	38	87,7	80
2019-10-28 23:04:51	71,4	71,1	62	638,8	646,1	718	21,57	80	74	36	84,6	80
2019-10-28 23:05:51	72,9	71,1	58	645,9	656,2	709	19,96	80	70	37	82,1	80
2019-10-28 23:06:51	74,1	71,1	50	632	662,3	684	19,33	80	59	36	85,3	80
2019-10-28 23:07:51	75,2	71,1	46	626,4	665,2	672	19,42	80	55	30	86,5	80
2019-10-28 23:08:51	76	71,1	42	624,9	666,1	662	19,07	80	52	30	86,3	80
2019-10-28 23:09:51	76,7	71,1	38	630,7	664	652	17,47	80	48	30	80,7	80
2019-10-28 23:10:51	77,4	71,1	34	635,1	661,4	645	16	80	44	30	83,7	80
2019-10-28 23:11:51	78,2	71,1	30	627,8	658,5	639	16,06	81	41	30	81	80
2019-10-28 23:12:51	78,4	71,1	30	620,3	655,5	639	17,23	81	41	30	79,9	80
2019-10-28 23:13:51	77	71,1	34	622,5	653,6	645	18,4	80	44	30	75,7	80
2019-10-28 23:14:51	75,7	71,1	42	645,9	653,7	662	18,58	80	52	30	83,2	80
2019-10-28 23:15:51	75,4	71,1	42	659,9	655	662	17,05	80	52	30	84,8	80
2019-10-28 23:16:51	75,7	71,1	38	653,9	655,7	652	16,46	80	48	30	86,6	80
2019-10-28 23:17:51	76,4	71,1	34	651,1	654,3	645	15,43	80	44	30	84,2	80
2019-10-28 23:18:51	77,4	71,1	30	646,3	652,5	639	14,8	81	41	30	87,3	80
2019-10-28 23:19:51	78,5	71,1	30	630,9	650,4	639	16,6	81	41	30	80,8	80
2019-10-28 23:48:51	67,6	71,1	0	136,4	150	150	30	20	100	42	82,2	80
2019-10-28 23:53:51	67,1	71,1	82	308,8	360,8	764	46,36	80	93	45	84,8	80
2019-10-28 23:54:51	66,7	71,1	86	311,8	424,4	779	58,88	80	98	48	90,1	80
2019-10-28 23:55:51	66,6	71,1	86	401,2	479,3	779	56,76	80	98	53	77,7	80
2019-10-28 23:56:51	67,2	71,1	82	532	524,4	764	43,54	80	93	53	85,3	80
2019-10-28 23:57:51	68,3	71,1	78	633,5	560,8	755	31,66	80	89	49	75,1	80
2019-10-28 23:58:51	68,7	71,1	78	667,3	590,6	755	29,67	80	89	47	82,2	80
2019-10-28 23:59:51	68,3	71,1	78	667,4	615,6	755	31,43	80	89	48	77,9	80
2019-10-29 00:00:51	68,1	71,1	78	671,8	637,4	755	32,7	80	89	46	81	80
2019-10-29 00:03:51	69,9	71,1	74	695	681,5	745	31,76	80	86	42	75,5	80
2019-10-29 00:04:51	70,7	71,1	70	707,5	689,9	736	28,32	80	82	37	81,1	80
2019-10-29 00:05:51	71,7	71,1	62	724	695,3	718	21,94	80	74	38	79,3	80
2019-10-29 00:06:51	72,6	71,1	58	713,9	697,8	709	20,96	80	70	36	84,3	80
2019-10-29 00:07:51	73,8	71,1	54	683,6	698,3	698	22,84	80	68	37	83,7	80
2019-10-29 00:08:51	75,1	71,1	46	665,7	696,2	672	22,02	80	55	30	93,2	80
2019-10-29 00:09:51	76,4	71,1	38	665,7	691,5	652	19,2	80	48	30	89,2	80
2019-10-29 00:10:51	77,6	71,1	34	660,5	684,8	645	18,32	80	44	30	91,3	80
2019-10-29 00:11:51	78,6	71,1	30	651,7	678,1	639	18,04	81	41	30	92,9	80
2019-10-29 00:12:51	78,5	71,1	30	649,4	672,1	639	18,09	81	41	30	85,7	80
2019-10-29 00:13:51	76,8	71,1	38	647	667,7	652	20,44	80	48	30	88,5	80
2019-10-29 00:14:51	75,2	71,1	42	642,4	666,2	662	22,64	80	52	30	88,2	80
2019-10-29 00:15:51	74,8	71,1	46	654,2	666,4	672	23,04	80	55	30	82,8	80
2019-10-29 00:16:51	74,8	71,1	46	666,5	667,2	672	21,69	80	55	30	85,4	80
2019-10-29 00:17:51	74,8	71,1	42	670,1	667,5	662	19,89	80	52	30	82	80
2019-10-29 00:18:51	75,2	71,1	38	678,8	666	652	17,12	80	48	30	83,5	80
2019-10-29 00:19:51	76	71,1	34	668,9	663,7	645	16,76	80	44	30	84,5	80
2019-10-29 00:20:51	77,2	71,1	30	662,8	660,6	639	16,11	81	41	30	86,7	80
2019-10-29 00:21:51	78,5	71,1	30	649,6	657,3	639	17,31	81	41	30	87,9	80
2019-10-29 00:55:51	69,2	71,1	0	127,2	141,9	141,9	30	20	100	45	81,6	80
2019-10-29 01:00:51	66,7	71,1	86	298,1	369,4	779	54,29	80	98	46	90,9	80
2019-10-29 01:01:51	66,6	71,1	86	323,1	431,8	779	60,66	80	98	51	80,8	80
2019-10-29 01:02:51	67	71,1	82	440,2	484,9	764	50,98	80	93	57	81,8	80
2019-10-29 01:03:51	68,4	71,1	78	574,1	527,4	755	36,74	80	89	47	85,6	80
2019-10-29 01:04:51	70,5	71,1	70	640	560,5	736	26,07	80	82	40	74,3	80
2019-10-29 01:05:51	72,6	71,1	62	658,6	586	718	20,79	80	74	35	86,1	80
2019-10-29 01:06:51	74,3	71,1	50	655,7	603,3	684	16,61	80	59	36	83	80
2019-10-29 01:07:51	75,7	71,1	46	634,2	614,6	672	18,26	80	55	30	86,1	80
2019-10-29 01:08:51	76,6	71,1	42	619,3	622,2	662	19,47	80	52	30	86	80
2019-10-29 01:09:51	77,2	71,1	34	625,5	627,5	645	16,77	80	44	30	76,1	80
2019-10-29 01:10:51	77,9	71,1	34	635,1	630,2	645	15,94	80	44	30	83,8	80
2019-10-29 01:11:51	78,7	71,1	30	641,2	631,6	639	14,35	81	41	30	83	80
2019-10-29 01:12:51	78,9	71,1	34	636,6	632,8	645	16	80	44	30	85	80

Appendix 16

2019-10-29 01:13:51	77,2	71,1	38	631,3	635,1	652	18,11	80	48	30	79,4	80
2019-10-29 01:14:51	75,4	71,1	46	638,6	639,7	672	20,6	80	55	30	76,9	80
2019-10-29 01:15:51	74,5	71,1	50	650,5	645,7	684	21,48	80	59	38	77,5	80
2019-10-29 01:16:51	74,4	71,1	50	658,3	651,6	684	21,24	80	59	37	83,6	80
2019-10-29 01:17:51	74,9	71,1	46	654,5	656,2	672	20,64	80	55	30	87,7	80
2019-10-29 01:18:51	75,7	71,1	42	651,1	657,1	662	19,77	80	52	31	81,1	80
2019-10-29 01:19:51	76	71,1	38	645,6	657,6	652	19,25	80	48	31	75,5	80
2019-10-29 01:20:51	75,9	71,1	42	661,5	658,1	662	18,86	80	52	32	77	80
2019-10-29 01:21:51	76	71,1	38	680,7	658,5	652	15	80	48	31	81,8	80
2019-10-29 01:22:51	76,4	71,1	34	679,2	656,8	645	13,29	80	44	32	77,8	80
2019-10-29 01:23:51	76,9	71,1	34	665,9	655	645	14,35	80	44	30	80,3	80
2019-10-29 01:24:51	77,5	71,1	30	651,3	652,6	639	14,8	81	41	30	85,5	80
2019-10-29 01:25:51	78,5	71,1	30	632,3	650,5	639	16,95	81	41	30	82,9	80
2019-10-29 01:46:51	66,1	71,1	86	155,1	238,1	779	54,56	80	98	46	79,1	80
2019-10-29 01:47:51	65,7	71,1	90	188,2	321,9	785	67,08	80	98	51	83,1	80
2019-10-29 01:48:51	65,9	71,1	90	331,5	392,5	785	60,39	80	98	61	85,6	80
2019-10-29 01:49:51	67,2	71,1	82	518,5	452,5	764	37,23	80	93	61	80,8	80
2019-10-29 01:50:51	69,2	71,1	74	613,2	498,9	745	23,56	80	86	39	91,5	80
2019-10-29 01:51:51	71,4	71,1	66	635,9	535,4	727	18,11	80	78	37	84,9	80
2019-10-29 01:52:51	73,2	71,1	54	630,5	563,3	688	14,49	80	68	37	85,6	80
2019-10-29 01:53:51	74,5	71,1	50	616,1	582,8	684	16,01	80	59	37	86,3	80
2019-10-29 01:54:51	75,5	71,1	46	604,8	597,4	672	17,18	80	55	31	82	80
2019-10-29 01:55:51	76,2	71,1	42	606,8	608,2	662	16,83	80	52	30	83,1	80
2019-10-29 01:56:51	76,8	71,1	38	609,1	616,3	652	16,14	80	48	30	82,1	80
2019-10-29 01:57:51	76,9	71,1	38	617,8	621,1	652	15,69	80	48	31	81	80
2019-10-29 01:58:51	75,5	71,1	42	618,9	626,3	662	17,59	80	52	30	79,9	80
2019-10-29 01:59:51	74	71,1	46	621,4	632,9	672	19,38	80	55	32	79,5	80
2019-10-29 02:00:51	73,3	71,1	50	634,4	640,7	684	20,68	80	59	39	76,7	80
2019-10-29 02:01:51	73,3	71,1	50	639	647,3	684	20,93	80	59	42	70,7	80
2019-10-29 02:02:51	73,9	71,1	50	636,8	652,9	684	22,05	80	59	39	83,1	80
2019-10-29 02:03:51	74,7	71,1	42	640	654,7	662	19,23	80	52	31	79,6	80
2019-10-29 02:04:51	75,7	71,1	38	647,6	654,7	652	17,06	80	48	32	77,7	80
2019-10-29 02:05:51	76,8	71,1	34	642,1	653,5	645	16,41	80	44	30	85,8	80
2019-10-29 02:06:51	78	71,1	30	633,9	651,3	639	16,44	81	41	30	76,2	80
2019-10-29 02:07:51	79,1	71,1	30	634,9	649,5	639	16,4	81	41	30	87,1	80
2019-10-29 02:35:51	69	71,1	0	134,9	150	150	30	20	100	44	79,1	80
2019-10-29 02:40:51	71,9	71,1	66	307,3	351,5	727	34,44	80	78	37	78,5	80
2019-10-29 02:41:51	72,2	71,1	62	310	408,8	718	40,27	80	74	38	81,8	80
2019-10-29 02:42:51	72,1	71,1	62	375,2	455,9	718	39,93	80	74	38	80,5	80
2019-10-29 02:43:51	71,6	71,1	66	483,9	496,9	727	34,93	80	78	38	80,2	80
2019-10-29 02:44:51	70,8	71,1	70	576,2	532,3	736	30,16	80	82	38	84,8	80
2019-10-29 02:45:51	70,7	71,1	70	626,4	563,6	736	26,82	80	82	38	80,3	80
2019-10-29 02:46:51	71,2	71,1	66	656,1	589,8	727	22,73	80	78	37	83,3	80
2019-10-29 02:47:51	72	71,1	58	660	610,6	709	19,43	80	70	37	86,7	80
2019-10-29 02:48:51	73,3	71,1	54	664,7	625,3	698	17,98	80	68	38	81,6	80
2019-10-29 02:49:51	74,7	71,1	50	658,4	635,3	684	17,72	80	59	37	83,6	80
2019-10-29 02:50:51	76,1	71,1	42	643,1	641,1	662	17,1	80	52	32	80,3	80
2019-10-29 02:51:51	77,2	71,1	34	641,3	643,8	645	15,05	80	44	33	76,3	80
2019-10-29 02:52:51	78,2	71,1	30	639,3	643,8	639	14,29	81	41	33	76,8	80
2019-10-29 02:53:51	79,1	71,1	30	626,1	643,1	639	15,92	81	41	30	80,6	80
2019-10-29 03:02:51	66,4	71,1	86	265,5	313,6	779	48,7	80	98	45	83,9	80
2019-10-29 03:03:51	65,8	71,1	90	260,3	384,9	785	63,81	80	98	51	76,8	80
2019-10-29 03:04:51	65,9	71,1	90	339,6	446,4	785	64,08	80	98	61	73,4	80
2019-10-29 03:05:51	67	71,1	82	498,7	497,9	764	44,43	80	93	62	78,9	80
2019-10-29 03:06:51	69	71,1	74	608,8	537,8	745	29,25	80	86	42	95,8	80
2019-10-29 03:07:51	71,2	71,1	66	656,2	568,6	727	20,62	80	78	37	83,9	80
2019-10-29 03:08:51	73,1	71,1	58	655,9	591,6	709	17,75	80	70	38	86,6	80
2019-10-29 03:09:51	74,6	71,1	50	644,8	607,5	684	16,6	80	59	37	83,3	80
2019-10-29 03:10:51	75,6	71,1	46	629,9	618,1	672	17,61	80	55	30	79,3	80
2019-10-29 03:11:51	76,3	71,1	42	619,3	625,5	662	18,36	80	52	30	80,5	80
2019-10-29 03:12:51	76,4	71,1	42	623,3	631,1	662	18,57	80	52	32	79,7	80
2019-10-29 03:13:51	75	71,1	46	627,1	636,7	672	20,21	80	55	31	81,6	80
2019-10-29 03:14:51	73,1	71,1	54	635,7	645,1	698	23,41	80	68	39	78,5	80
2019-10-29 03:15:51	72,3	71,1	58	642	654,6	709	25,8	80	70	38	83,6	80
2019-10-29 03:16:51	72,7	71,1	58	659,1	662,9	709	24,86	80	70	40	77,7	80
2019-10-29 03:17:51	73,8	71,1	50	670,3	667,2	684	20,63	80	59	38	83,2	80
2019-10-29 03:18:51	75,2	71,1	42	668,1	667,8	662	17,96	80	52	32	78,4	80
2019-10-29 03:19:51	76,6	71,1	38	662	666,1	652	17,1	80	48	32	79,5	80
2019-10-29 03:20:51	77,8	71,1	30	656,8	662,6	639	15,11	81	41	30	86,8	80
2019-10-29 03:21:51	78,8	71,1	30	647,2	659	639	15,9	81	41	30	78	80

Appendix 16

2019-10-29 03:45:51	66,5	71,1	86	143,3	177,1	779	47,56	80	100	100	220,3	80
2019-10-29 03:46:51	65,6	71,1	90	165,1	269,9	785	61,71	80	100	100	185,7	80
2019-10-29 03:47:51	65,3	71,1	90	271,4	348,4	785	60,28	80	98	61	87,6	80
2019-10-29 03:48:51	66,1	71,1	86	451,9	415,4	779	42,9	80	98	63	76,9	80
2019-10-29 03:49:51	67,8	71,1	82	585,6	469,8	764	28,22	80	93	56	78,6	80
2019-10-29 03:50:51	70	71,1	70	628,2	512,9	736	17,34	80	82	38	82,4	80
2019-10-29 03:51:51	72	71,1	62	631,4	546,8	718	14,45	80	74	39	79,9	80
2019-10-29 03:52:51	73,4	71,1	54	620,4	571,8	698	13,7	80	68	36	84,7	80
2019-10-29 03:53:51	74,3	71,1	50	599,3	590,3	684	16,32	80	59	35	86,3	80
2019-10-29 03:54:51	75	71,1	46	588	604,4	672	17,87	80	55	31	96,1	80
2019-10-29 03:55:51	75,7	71,1	46	590,6	614,9	672	19,24	80	55	31	82,1	80
2019-10-29 03:56:51	76,4	71,1	38	601,3	622,2	652	16,47	80	48	33	77,3	80
2019-10-29 03:57:51	76,6	71,1	38	612,7	626,7	652	15,99	80	48	32	76,2	80
2019-10-29 03:58:51	75,9	71,1	42	622,7	630,7	662	16,76	80	52	30	79,2	80
2019-10-29 03:59:51	75,2	71,1	42	624,6	635,5	662	17,16	80	52	31	81,1	80
2019-10-29 04:00:51	75	71,1	42	627,4	639,6	662	17,55	80	52	30	87	80
2019-10-29 04:01:51	75,2	71,1	38	627,2	642,5	652	16,79	80	48	35	74,3	80
2019-10-29 04:02:51	76	71,1	34	644	643,9	645	13,88	80	44	34	80,3	80
2019-10-29 04:03:51	77,2	71,1	30	656,8	643,9	639	11,22	81	41	30	85,2	80
2019-10-29 04:04:51	78,6	71,1	30	644,3	643,1	639	12,48	81	41	30	82,8	80
2019-10-29 04:32:51	66,6	71,1	0	138,5	150	150	30	20	95	56	61,3	80
2019-10-29 04:37:51	68,7	71,1	78	298,1	388,8	755	46,58	80	89	42	82,8	80
2019-10-29 04:38:51	69,1	71,1	74	345,1	445,4	745	46,96	80	86	42	80	80
2019-10-29 04:39:51	69,8	71,1	74	463,8	491	745	39,46	80	86	41	77,3	80
2019-10-29 04:40:51	70,9	71,1	70	578,2	528,9	736	27,4	80	82	37	83,7	80
2019-10-29 04:41:51	72,4	71,1	62	634,3	558,9	718	18,37	80	74	38	82,4	80
2019-10-29 04:42:51	73,4	71,1	54	639,6	582,5	698	15,46	80	68	39	81,5	80
2019-10-29 04:43:51	72,8	71,1	58	622,6	600,4	709	20,66	80	70	39	76,5	80
2019-10-29 04:44:51	71,5	71,1	62	608,7	617,4	718	26,27	80	74	39	81,5	80
2019-10-29 04:45:51	70,3	71,1	66	616	633,6	727	29,8	80	78	41	74,7	80
2019-10-29 04:46:51	69,4	71,1	70	644	648,9	736	30,92	80	82	37	83,4	80
2019-10-29 04:47:51	69,1	71,1	70	668,4	662,5	736	29,62	80	82	39	80,6	80
2019-10-29 04:48:51	68,9	71,1	74	696,2	674	745	29,96	80	86	39	79,8	80
2019-10-29 04:49:51	68,9	71,1	74	708,3	684,9	745	29,38	80	86	36	84	80
2019-10-29 04:50:51	69,1	71,1	70	712,4	693,6	736	26,93	80	82	38	79,8	80
2019-10-29 04:51:51	69,5	71,1	70	712	700,1	736	27,45	80	82	36	83,6	80
2019-10-29 04:52:51	70,3	71,1	66	703	705,1	727	26,7	80	78	39	80,5	80
2019-10-29 04:53:51	71,3	71,1	58	708	707,9	709	22,23	80	70	40	76,4	80
2019-10-29 04:54:51	72,3	71,1	54	701,5	707,5	698	21,17	80	68	37	82,7	80
2019-10-29 04:55:51	73,2	71,1	50	683,1	705,4	684	21,74	80	59	38	80,9	80
2019-10-29 04:56:51	73,9	71,1	50	665,4	702,1	684	24,06	80	59	35	88,7	80
2019-10-29 04:57:51	74,3	71,1	46	660	697,6	672	23,32	80	55	30	81,9	80
2019-10-29 04:58:51	73,5	71,1	50	675	694,3	684	23,26	80	59	37	90,8	80
2019-10-29 04:59:51	72,3	71,1	54	679,9	694	698	24,53	80	68	39	79,1	80
2019-10-29 05:00:51	72,1	71,1	54	679,2	694,6	698	24,98	80	68	36	86,3	80
2019-10-29 05:01:51	72,7	71,1	50	693	694,9	684	21,86	80	59	37	83,9	80
2019-10-29 05:02:51	73,5	71,1	46	690,9	691,9	672	20,16	80	55	32	80,1	80
2019-10-29 05:03:51	74,5	71,1	42	682,6	688	662	19,3	80	52	30	86,5	80
2019-10-29 05:04:51	75,7	71,1	38	675,9	683	652	18,12	80	48	30	84,4	80
2019-10-29 05:05:51	76,9	71,1	30	671,8	677,3	639	15,74	81	41	30	82,3	80
2019-10-29 05:06:51	78,1	71,1	30	662,3	671,4	639	16,2	81	41	30	83,3	80
2019-10-29 05:07:51	79,2	71,1	30	654,7	666,4	639	16,66	81	41	30	81,7	80
2019-10-29 05:31:51	67,2	71,1	82	146,2	213,5	764	49,03	80	100	100	198	80
2019-10-29 05:32:51	67	71,1	82	228,1	298	764	50,91	80	100	100	161,1	80
2019-10-29 05:33:51	67,7	71,1	82	407,2	370,1	764	38,55	80	93	63	78,2	80
2019-10-29 05:34:51	69,3	71,1	74	570,7	429,2	745	18,05	80	86	40	90,3	80
2019-10-29 05:35:51	71,3	71,1	66	613,5	476,2	727	10,77	80	78	36	85,1	80
2019-10-29 05:36:51	73	71,1	58	605,5	513,8	709	9,81	80	70	36	85,2	80
2019-10-29 05:37:51	74,3	71,1	50	580,1	541,9	684	11,62	80	59	39	80,3	80
2019-10-29 05:38:51	75,2	71,1	46	563,2	563,2	672	14,3	80	55	30	83,2	80
2019-10-29 05:39:51	75,9	71,1	46	559,2	579,9	672	16,95	80	55	31	82,9	80
2019-10-29 05:40:51	76,4	71,1	42	568,8	592,5	662	16,36	80	52	31	76,1	80
2019-10-29 05:41:51	77	71,1	34	584	601,9	645	13,49	80	44	31	83,4	80
2019-10-29 05:42:51	77,2	71,1	34	593,8	608,5	645	13,38	80	44	30	82,6	80
2019-10-29 05:43:51	76,1	71,1	38	595,2	614,9	652	15,53	80	48	30	81,8	80
2019-10-29 05:44:51	74,2	71,1	46	603,1	622,6	672	18,67	80	55	32	79,7	80
2019-10-29 05:45:51	73,1	71,1	50	611,6	631,7	684	20,71	80	59	38	80,9	80
2019-10-29 05:46:51	73,3	71,1	50	622,2	639,7	684	20,77	80	59	37	83,2	80
2019-10-29 05:47:51	74,1	71,1	42	632,7	646	662	17,57	80	52	32	84,1	80
2019-10-29 05:48:51	75,6	71,1	38	646,9	647,8	652	14,75	80	48	30	82,6	80

Appendix 16

2019-10-29 05:49:51	77,1	71,1	30	642,9	647,5	639	13	81	41	30	85,2	80
2019-10-29 05:50:51	78,4	71,1	30	629,8	646,2	639	14,54	81	41	30	83,9	80
2019-10-29 06:16:51	65,5	71,1	0	141,4	150	150	30	20	100	50	87,6	80
2019-10-29 06:20:51	67,4	71,1	82	307,7	328,6	764	40,7	80	93	45	74,3	80
2019-10-29 06:21:51	67,7	71,1	82	300,4	395,5	764	50,8	80	93	47	86,1	80
2019-10-29 06:22:51	67,8	71,1	82	360,7	451,6	764	52,24	80	93	54	76,2	80
2019-10-29 06:23:51	68,6	71,1	78	490,2	499,3	755	40,22	80	89	47	83,2	80
2019-10-29 06:24:51	70	71,1	70	595,9	537,3	736	26,18	80	82	38	86,6	80
2019-10-29 06:25:51	70,7	71,1	70	646,2	567,6	736	22,39	80	82	38	81,9	80
2019-10-29 06:26:51	70,9	71,1	70	664,2	593,5	736	21,87	80	82	37	84,4	80
2019-10-29 06:27:51	71,1	71,1	66	652,6	614,5	727	22,3	80	78	37	84,8	80
2019-10-29 06:28:51	70,8	71,1	70	650,3	632,2	736	26,6	80	82	37	80	80
2019-10-29 06:29:51	70,3	71,1	70	652,6	648	736	28,04	80	82	37	85,4	80
2019-10-29 06:30:51	70,4	71,1	70	666,2	661,5	736	28,01	80	82	38	83,1	80
2019-10-29 06:31:51	70,9	71,1	70	681	672,9	736	27,58	80	82	36	84,3	80
2019-10-29 06:32:51	71,4	71,1	62	693,3	680,8	718	22,37	80	74	40	75,6	80
2019-10-29 06:33:51	72,3	71,1	58	692,3	686,1	709	20,99	80	70	37	85,2	80
2019-10-29 06:34:51	73,5	71,1	54	681,1	688,8	698	20,86	80	68	38	78,9	80
2019-10-29 06:35:51	74,9	71,1	50	665,3	688,7	684	21,42	80	59	38	77	80
2019-10-29 06:36:51	76,2	71,1	38	655,6	685,7	652	18,36	80	48	31	81,1	80
2019-10-29 06:37:51	77,4	71,1	34	648,2	680	645	17,96	80	44	31	79,4	80
2019-10-29 06:38:51	78,4	71,1	30	649,3	674,2	639	16,68	81	41	31	79,4	80
2019-10-29 06:39:51	79,3	71,1	30	647	668,8	639	16,75	81	41	30	79	80
2019-10-29 07:01:51	66,3	71,1	86	149,4	225,1	779	52,66	16	98	50	84,7	80
2019-10-29 07:02:51	65,1	71,1	90	297	312,2	785	50,96	80	100	100	168,2	80
2019-10-29 07:03:51	65	71,1	90	531,8	385	785	30,15	80	98	62	78	80
2019-10-29 07:04:51	65,9	71,1	90	640,8	446,4	785	12,32	80	98	46	91,3	80
2019-10-29 07:05:51	67,2	71,1	82	627,3	496,6	764	6	80	93	47	83	80
2019-10-29 07:06:51	68,2	71,1	78	573,8	537,3	755	10,48	80	89	42	78,2	80
2019-10-29 07:07:51	68,6	71,1	78	533,8	571,2	755	19,44	80	89	44	83	80
2019-10-29 07:08:51	68,7	71,1	78	533,7	599,2	755	23,86	80	89	47	81,2	80
2019-10-29 07:09:51	68,7	71,1	78	558,5	623	755	25,02	80	89	46	82,1	80
2019-10-29 07:10:51	69	71,1	78	588,3	643,6	755	25,04	80	89	43	97,9	80
2019-10-29 07:11:51	69,6	71,1	78	613	660,7	755	25,1	80	89	46	81	80
2019-10-29 07:12:51	70,1	71,1	74	625	674,5	745	23,43	80	86	37	85	80
2019-10-29 07:13:51	69,4	71,1	78	634,4	686,2	755	27,51	80	89	46	77,8	80
2019-10-29 07:14:51	67,8	71,1	86	646,2	698,2	779	35,34	80	98	48	83	80
2019-10-29 07:15:51	67,2	71,1	86	657,9	710,5	779	36,42	80	98	50	75,1	80
2019-10-29 07:16:51	67,3	71,1	86	668,5	721	779	37,41	80	98	49	80,7	80
2019-10-29 07:17:51	67,6	71,1	86	683	730	779	37,74	80	98	51	78,3	80
2019-10-29 07:18:51	68,1	71,1	82	689,7	737	764	35,05	80	93	50	79,9	80
2019-10-29 07:19:51	68,6	71,1	82	689,4	741,1	764	36,54	80	93	48	83,2	80
2019-10-29 07:20:51	69,4	71,1	78	707,2	743,8	755	32,38	80	89	47	80,5	80
2019-10-29 07:21:51	70,5	71,1	74	712	744,8	745	29,76	80	86	39	75,7	80
2019-10-29 07:22:51	71,5	71,1	66	711,4	743,5	727	25,33	80	78	37	80,3	80
2019-10-29 07:23:51	72,4	71,1	62	716,3	740,2	718	22,7	80	74	39	78	80
2019-10-29 07:24:51	73,3	71,1	58	712,5	736,2	709	21,1	80	70	39	77,3	80
2019-10-29 07:25:51	73,9	71,1	58	697,7	732,1	709	22,94	80	70	40	73,6	80
2019-10-29 07:26:51	74,5	71,1	54	688	727	698	22,39	80	68	37	79,1	80
2019-10-29 07:27:51	74,7	71,1	54	677,4	722,5	698	23,95	80	68	38	79,5	80
2019-10-29 07:28:51	73,7	71,1	54	676,4	718,5	698	24,44	80	68	37	83,1	80
2019-10-29 07:29:51	72,8	71,1	58	670,2	715,8	709	27,47	80	70	40	77,3	80
2019-10-29 07:30:51	72,7	71,1	58	680,9	714,8	709	26,87	80	70	36	87,9	80
2019-10-29 07:31:51	73,3	71,1	54	693,4	713,1	698	23,86	80	68	36	87,7	80
2019-10-29 07:32:51	74,4	71,1	50	693,7	710	684	22,2	80	59	38	80,4	80
2019-10-29 07:33:51	76	71,1	38	688,7	704,1	652	18	80	48	30	82,2	80
2019-10-29 07:34:51	77,6	71,1	34	680,4	695,7	645	17,1	80	44	30	78	80
2019-10-29 07:35:51	78,9	71,1	30	681,6	687,2	639	15,06	81	41	30	81,3	80
2019-10-29 07:51:51	67,9	71,1	82	178,6	224,3	764	45,27	80	89	40	86	80
2019-10-29 07:52:51	67,5	71,1	82	189,4	306,6	764	55,53	80	93	50	78,5	80
2019-10-29 07:53:51	67,6	71,1	82	310,2	377,9	764	51,62	80	93	50	79,3	80
2019-10-29 07:54:51	68,5	71,1	78	500	436,5	755	32,7	80	89	49	78	80
2019-10-29 08:04:51	65,1	71,1	90	226,4	305,6	785	59,8	80	98	41	87,8	80
2019-10-29 08:05:51	64,8	71,1	94	235,2	379,8	792	74,52	80	98	55	68,6	80
2019-10-29 08:06:51	64,7	71,1	94	365,3	443,6	792	68,96	80	98	55	80,9	80
2019-10-29 08:07:51	65,5	71,1	90	558,5	496,5	785	47,65	80	98	62	82,9	80
2019-10-29 08:08:51	67,4	71,1	82	666,6	539,4	764	30,04	80	93	49	86,3	80
2019-10-29 08:09:51	69,8	71,1	74	688,3	572,2	745	22,98	80	86	38	81,5	80
2019-10-29 08:10:51	72	71,1	62	682,1	596,9	718	17,56	80	74	36	84,7	80
2019-10-29 08:11:51	73,6	71,1	54	668,2	613,8	698	16,12	80	68	38	80	80

Appendix 16

2019-10-29 08:12:51	74,2	71,1	50	642,4	625	684	18,28	80	59	38	79,7	80
2019-10-29 08:13:51	73,1	71,1	54	627,3	635,5	698	22,9	80	68	38	79,6	80
2019-10-29 08:14:51	71,8	71,1	62	636,5	646,9	718	27,18	80	74	39	80	80
2019-10-29 08:15:51	71,1	71,1	62	670	657,8	718	24,45	80	74	37	84	80
2019-10-29 08:16:51	71,4	71,1	62	683,9	667	718	23,57	80	74	35	91,2	80
2019-10-29 08:17:51	72,5	71,1	58	690	674,1	709	21,37	80	70	37	82,1	80
2019-10-29 08:18:51	74,1	71,1	46	680,9	676,8	672	17,63	80	55	30	95,4	80
2019-10-29 08:19:51	75,8	71,1	42	675,3	675,2	662	16,71	80	52	31	79,6	80
2019-10-29 08:20:51	77,1	71,1	34	675	671,7	645	13,72	80	44	30	80,5	80
2019-10-29 08:21:51	78,2	71,1	30	661,8	667	639	13,74	81	41	30	85,3	80
2019-10-29 08:22:51	79,3	71,1	30	647,4	662,8	639	15,15	81	41	30	88,4	80
2019-10-29 08:45:51	64,7	71,1	94	155,2	240,4	792	62,02	80	100	100	191,2	80
2019-10-29 08:46:51	63,6	71,1	100	322,6	326,1	805	58,56	80	100	30	44,7	80
2019-10-29 08:47:51	63,9	71,1	100	556,7	399,1	805	37,41	80	100	63	79,3	80
2019-10-29 08:48:51	65,2	71,1	90	670,2	459,4	785	7,88	80	98	49	77	80
2019-10-29 08:49:51	66,7	71,1	86	644,9	509,3	779	6	80	98	45	87,6	80
2019-10-29 08:50:51	67,3	71,1	82	591,6	549,1	764	9,71	80	93	46	88,7	80
2019-10-29 08:51:51	67,3	71,1	82	553,2	581,8	764	18,15	80	93	50	74,1	80
2019-10-29 08:52:51	67	71,1	82	535,9	609,8	764	24,62	80	93	49	77,8	80
2019-10-29 08:53:51	67,2	71,1	82	546,5	633,7	764	27,84	80	93	49	76,2	80
2019-10-29 08:54:51	67,9	71,1	82	576,6	653,7	764	28,23	80	93	51	77,9	80
2019-10-29 08:55:51	69,2	71,1	74	606,1	668,9	745	21,82	80	86	39	81,8	80
2019-10-29 08:56:51	70,6	71,1	70	622,1	679,8	736	19,77	80	82	35	88,5	80
2019-10-29 08:57:51	71,4	71,1	62	631,3	686,9	718	16,01	80	74	39	78,3	80
2019-10-29 08:58:51	71,1	71,1	62	622,8	691,7	718	18,78	80	74	39	78,5	80
2019-10-29 08:59:51	70,6	71,1	66	618	696,7	727	23,6	80	78	38	82,1	80
2019-10-29 09:00:51	70,8	71,1	66	630,6	701,4	727	24,09	80	78	37	82	80
2019-10-29 09:01:51	71,7	71,1	62	635,9	704,1	718	22,92	80	74	38	79,5	80
2019-10-29 09:02:51	72,8	71,1	58	641,9	705,2	709	21,6	80	70	37	82,1	80
2019-10-29 09:03:51	73,7	71,1	54	648,7	704,3	698	20,02	80	68	37	84,4	80
2019-10-29 09:04:51	74,4	71,1	46	647,3	700,8	672	17,61	80	55	30	81,3	80
2019-10-29 09:05:51	75,1	71,1	42	638,5	696,2	662	17,78	80	52	30	84,5	80
2019-10-29 09:06:51	75,8	71,1	42	643,7	690,9	662	17,58	80	52	32	78,7	80
2019-10-29 09:07:51	76,9	71,1	38	660,6	685	652	14,11	80	48	30	78,3	80
2019-10-29 09:08:51	77,9	71,1	30	652,8	678,1	639	12,47	81	41	30	83,9	80
2019-10-29 09:09:51	77,9	71,1	34	642,8	672,2	645	14,48	80	41	30	81,8	80
2019-10-29 09:10:51	77,5	71,1	34	635,5	667,9	645	15,45	80	44	30	77,5	80
2019-10-29 09:11:51	77,1	71,1	30	633,3	663,6	639	14,82	81	41	30	78,8	80
2019-10-29 09:12:51	76,7	71,1	34	636,2	660,4	645	15,61	80	44	30	80,7	80
2019-10-29 09:13:51	76	71,1	34	632,3	658	645	16,25	80	44	32	77,6	80
2019-10-29 09:14:51	75,2	71,1	38	631,7	657,1	652	17,92	80	48	30	79,8	80
2019-10-29 09:15:51	74,6	71,1	42	631,2	657,3	662	19,89	80	52	32	82,9	80
2019-10-29 09:16:51	74,2	71,1	42	637,7	658	662	19,66	80	52	32	77,8	80
2019-10-29 09:17:51	74,4	71,1	38	656,7	657,2	652	16,04	80	48	30	84,1	80
2019-10-29 09:18:51	75,3	71,1	34	663,4	656,1	645	13,9	80	44	30	80,1	80
2019-10-29 09:19:51	76,6	71,1	30	665,6	653,9	639	12,17	81	41	30	87,1	80
2019-10-29 09:20:51	78,1	71,1	30	646,2	651,6	639	14,2	81	41	30	84,7	80
2019-10-29 09:47:51	65,7	71,1	0	139,6	150	150	30	20	100	43	78,9	80
2019-10-29 09:48:51	65,9	71,1	0	149,5	150	150	30	20	100	52	73,8	80
2019-10-29 09:52:51	68,7	71,1	78	302,2	332,8	755	39,44	80	89	40	85,1	80
2019-10-29 09:53:51	69	71,1	74	299,7	398,6	745	46,2	80	86	42	87,8	80
2019-10-29 09:54:51	69,1	71,1	74	374,3	451,4	745	45,42	80	86	40	80,1	80
2019-10-29 09:55:51	69,9	71,1	74	505,9	496,5	745	35,74	80	86	41	80,6	80
2019-10-29 09:56:51	71	71,1	66	618	533,1	727	20,64	80	78	38	80,8	80
2019-10-29 09:57:51	71,6	71,1	66	645,4	563,3	727	19,29	80	78	39	79,8	80
2019-10-29 09:58:51	71,2	71,1	66	642,1	588,3	727	21,38	80	78	35	87,4	80
2019-10-29 09:59:51	69,8	71,1	74	629,1	610,8	745	29,97	80	86	35	90,8	80
2019-10-29 10:00:51	68,7	71,1	78	643,3	631,8	755	33,32	80	89	46	80,2	80
2019-10-29 10:01:51	68,3	71,1	78	660,3	650,7	755	33,47	80	89	49	74,6	80
2019-10-29 10:02:51	68,7	71,1	82	684,9	667,9	764	35,54	80	93	47	84,1	80
2019-10-29 10:03:51	69,3	71,1	78	700,3	681,9	755	31,81	80	89	47	79,5	80
2019-10-29 10:04:51	70	71,1	78	694,7	693,1	745	30,86	80	86	47	77,4	80
2019-10-29 10:05:51	70,6	71,1	74	695,9	701	745	31,68	80	86	38	79,8	80
2019-10-29 10:06:51	71,3	71,1	70	702	707,1	736	29,08	80	82	38	78,3	80
2019-10-29 10:07:51	72	71,1	66	713,2	711,6	727	25,89	80	78	38	81,2	80
2019-10-29 10:08:51	72,6	71,1	66	717,9	713,9	727	25,59	80	78	37	81,8	80
2019-10-29 10:09:51	73,4	71,1	58	708,5	714,5	709	22,59	80	70	37	88,2	80
2019-10-29 10:10:51	74,1	71,1	54	698,9	713,3	698	22,01	80	68	40	79,3	80
2019-10-29 10:11:51	74,8	71,1	54	693,9	710,9	698	22,6	80	68	37	83,5	80
2019-10-29 10:12:51	75,5	71,1	50	678,9	707,1	684	22,78	80	59	38	80,5	80



Appendix 16

2019-10-29 10:13:51	75,1	71,1	50	667,8	703,5	684	24,3	80	59	39	78,2	80
2019-10-29 10:14:51	74,8	71,1	54	668,9	702,4	698	26,3	80	68	38	83,9	80
2019-10-29 10:15:51	75,6	71,1	46	673,7	699,2	672	22,72	80	55	32	78,9	80
2019-10-29 10:16:51	76,7	71,1	42	685,3	694	662	19,63	80	52	32	79,2	80
2019-10-29 10:17:51	78,2	71,1	30	692,8	687,5	639	14,35	81	41	31	77,2	80
2019-10-29 10:48:51	67,3	71,1	0	136,9	150	150	30	20	95	50	70,1	80
2019-10-29 10:52:51	66,7	71,1	86	327,1	351,1	779	46,69	80	98	46	74,8	80
2019-10-29 10:53:51	66,7	71,1	86	318,9	416,8	779	56,8	80	98	47	87,3	80
2019-10-29 10:54:51	66,2	71,1	86	387,2	472,9	779	57,32	80	98	51	83,1	80
2019-10-29 10:55:51	65,6	71,1	90	521,3	520,5	785	51,97	80	98	57	76,6	80
2019-10-29 10:56:51	65,7	71,1	90	628,5	560,8	785	43,21	80	98	57	78,4	80
2019-10-29 10:57:51	66,4	71,1	86	675,4	594,7	779	35,94	80	98	50	82,2	80
2019-10-29 10:58:51	67,2	71,1	82	684,1	622,4	764	33,23	80	93	47	84,3	80
2019-10-29 10:59:51	67,6	71,1	82	682,4	644,2	764	35,08	80	93	47	81,9	80
2019-10-29 11:00:51	68	71,1	82	674,9	662,6	764	37,73	80	93	48	85,2	80
2019-10-29 11:01:51	68,6	71,1	82	688,1	678,2	764	37,9	80	93	48	82,5	80
2019-10-29 11:02:51	68,9	71,1	82	692,1	691,5	764	38,99	80	93	47	83,4	80
2019-10-29 11:03:51	69,4	71,1	78	697,1	701,2	755	36,36	80	89	47	80,3	80
2019-10-29 11:04:51	70	71,1	74	717,4	709,2	745	32,08	80	86	38	95,9	80
2019-10-29 11:05:51	71	71,1	70	717,2	714,7	736	30,15	80	82	38	80,9	80
2019-10-29 11:06:51	71,9	71,1	70	715,9	717,9	736	30,69	80	82	39	76,7	80
2019-10-29 11:07:51	73,2	71,1	58	720,3	718,9	709	23,68	80	70	38	80	80
2019-10-29 11:08:51	74,8	71,1	54	705,8	716,4	698	23,34	80	68	34	90,5	80
2019-10-29 11:09:51	76,4	71,1	46	689,2	711	672	21,82	80	55	30	84,7	80
2019-10-29 11:10:51	77,7	71,1	38	682,9	703,9	652	19,36	80	48	31	83,1	80
2019-10-29 11:11:51	78,8	71,1	34	686,4	695	645	16,96	80	44	32	79,1	80
2019-10-29 11:12:51	78,9	71,1	34	687,4	686,6	645	15,83	80	44	30	82,9	80
2019-10-29 11:13:51	77,4	71,1	38	668,4	680,6	652	18,63	80	48	30	88,1	80
2019-10-29 11:14:51	75,7	71,1	46	649,8	677,8	672	23,72	80	55	30	78,9	80
2019-10-29 11:15:51	75,3	71,1	46	658,1	676,9	672	23,1	80	55	30	75,9	80
2019-10-29 11:16:51	76,1	71,1	38	681,1	675,9	652	17,52	80	48	30	82,4	80
2019-10-29 11:17:51	77,1	71,1	34	678	672	645	16,2	80	44	30	79,4	80
2019-10-29 11:18:51	78,3	71,1	30	672,7	667,6	639	15,3	81	41	30	87,1	80
2019-10-29 11:33:51	66,9	71,1	86	198,1	305,4	779	58,82	80	98	48	75,6	80
2019-10-29 11:34:51	66,3	71,1	86	253,3	377,5	779	63,28	80	98	50	83,5	80
2019-10-29 11:35:51	66,3	71,1	86	416,9	439,2	779	52,58	80	98	58	78,5	80
2019-10-29 11:36:51	67,4	71,1	82	573	490,7	764	35,7	80	93	50	83,1	80
2019-10-29 11:37:51	69,4	71,1	74	643,1	531,1	745	24,2	80	86	36	93	80
2019-10-29 11:38:51	71,6	71,1	66	659,9	562,4	727	18,91	80	78	38	79,1	80
2019-10-29 11:39:51	73,5	71,1	54	653,6	585,8	698	14,88	80	68	37	81,2	80
2019-10-29 11:40:51	75,1	71,1	46	652,4	601,3	672	12,56	80	55	31	100,5	80
2019-10-29 11:41:51	76,1	71,1	42	638,1	611,8	662	13,39	80	52	30	85,9	80
2019-10-29 11:42:51	76,3	71,1	42	622,5	619,5	662	15,94	80	52	30	80,7	80
2019-10-29 11:43:51	75,1	71,1	46	608,3	627	672	20,1	80	55	31	77,3	80
2019-10-29 11:44:51	73,5	71,1	54	612,8	636,1	698	24,26	80	68	37	83,9	80
2019-10-29 11:45:51	72,5	71,1	58	620,3	646,5	709	26,88	80	70	36	91,2	80
2019-10-29 11:46:51	72,5	71,1	58	638,7	656,1	709	26,28	80	70	39	80,8	80
2019-10-29 11:47:51	73,6	71,1	50	659,8	662,5	684	21,24	80	59	36	89,2	80
2019-10-29 11:48:51	75,3	71,1	42	660,3	664	662	18,36	80	52	30	79,7	80
2019-10-29 11:49:51	76,9	71,1	38	654,5	662,7	652	17,52	80	48	31	84,5	80
2019-10-29 11:50:51	77,4	71,1	30	654,1	659,6	639	15,02	81	41	30	85,9	80
2019-10-29 11:51:51	77	71,1	30	646,4	656,5	639	15,6	81	41	30	83,8	80
2019-10-29 11:52:51	76,5	71,1	34	638,6	654,7	645	17,58	80	44	31	78,8	80
2019-10-29 11:53:51	76,3	71,1	34	633,3	653,2	645	18,36	80	44	30	79,3	80
2019-10-29 11:54:51	76,4	71,1	30	633,1	651,5	639	17,58	81	41	32	80	80
2019-10-29 11:55:51	76,8	71,1	30	643,3	649,6	639	16,31	81	41	30	80,9	80
2019-10-29 11:56:51	77,3	71,1	30	638,5	648	639	16,71	81	41	32	80,2	80
2019-10-29 11:57:51	78,4	71,1	30	639,3	646,6	639	16,47	81	41	30	85,4	80
2019-10-29 12:35:51	66,5	71,1	0	125,3	135,4	135,4	30	20	85	40	111,4	80
2019-10-29 12:40:51	67,3	71,1	82	299,2	378,3	764	51,04	80	93	48	82,2	80
2019-10-29 12:41:51	66,7	71,1	86	327,1	438	779	60,47	80	98	50	81,9	80
2019-10-29 12:42:51	66,1	71,1	86	431,8	490,4	779	55,86	80	98	54	82,5	80
2019-10-29 12:43:51	66	71,1	86	574	535	779	44,38	80	98	57	85,5	80
2019-10-29 12:44:51	66,6	71,1	86	655	573	779	37,88	80	98	54	86,3	80
2019-10-29 12:45:51	67,6	71,1	82	675,6	603	764	33,88	80	93	48	81,6	80
2019-10-29 12:46:51	68,6	71,1	78	673,8	626,9	755	32,62	80	89	47	83,7	80
2019-10-29 12:47:51	69,6	71,1	74	678,2	645,7	745	30,82	80	86	37	81,5	80
2019-10-29 12:48:51	70,7	71,1	70	686,9	659,9	736	28,33	80	82	38	75,8	80
2019-10-29 12:49:51	71,9	71,1	62	691,1	669,6	718	23,92	80	74	37	82,9	80
2019-10-29 12:50:51	73,3	71,1	54	689,4	675,2	698	20,61	80	68	37	81,4	80

Appendix 16

2019-10-29 12:51:51	74,8	71,1	50	664,1	677,5	684	22,32	80	59	35	92,2	80
2019-10-29 12:52:51	76	71,1	42	654,8	676,8	662	20,73	80	52	31	81	80
2019-10-29 12:53:51	77	71,1	34	660	673,5	645	17,47	80	44	30	87,8	80
2019-10-29 12:54:51	78	71,1	30	663,5	669,2	639	15,61	81	41	30	83,4	80
2019-10-29 12:55:51	78,9	71,1	30	660	664,5	639	15,48	81	41	30	78,3	80
2019-10-29 13:06:51	68,7	71,1	78	242,3	301,6	755	44,38	80	89	41	73,3	80
2019-10-29 13:07:51	68,5	71,1	78	244,8	370,7	755	54,24	80	89	42	89,2	80
2019-10-29 13:08:51	68,4	71,1	78	349,1	429,7	755	51,01	80	89	47	82,6	80
2019-10-29 13:09:51	68,9	71,1	78	525,9	480,4	755	36,2	80	89	47	84,9	80
2019-10-29 13:10:51	70,1	71,1	70	636,2	520,6	736	20,7	80	82	35	85,8	80
2019-10-29 13:11:51	71,5	71,1	66	662,6	552,9	727	16,8	80	78	38	81,9	80
2019-10-29 13:12:51	72,4	71,1	62	646,9	578,7	718	17,82	80	74	38	82,7	80
2019-10-29 13:13:51	72,1	71,1	62	624,1	600,4	718	22,28	80	74	37	81,8	80
2019-10-29 13:14:51	71,8	71,1	66	618,8	619,2	727	27,23	80	78	39	78,7	80
2019-10-29 13:15:51	72,3	71,1	58	629,8	634,4	709	23,55	80	70	39	77	80
2019-10-29 13:16:51	73,3	71,1	54	647,7	645,3	698	20,91	80	68	37	80,3	80
2019-10-29 13:17:51	74,7	71,1	50	647,7	652,3	684	20,15	80	59	38	78,9	80
2019-10-29 13:18:51	76,2	71,1	42	646,8	655,4	662	17,65	80	52	32	80,5	80
2019-10-29 13:19:51	77,6	71,1	34	647,8	655,1	645	14,98	80	44	31	82,9	80
2019-10-29 13:20:51	78,8	71,1	30	642,6	652,9	639	14,36	81	41	30	83,6	80
2019-10-29 13:39:51	69	71,1	74	160,9	221,4	745	40,09	80	86	35	84,2	80
2019-10-29 13:40:51	69,5	71,1	74	174	301,8	745	50,06	80	86	41	78,4	80
2019-10-29 13:41:51	70,2	71,1	70	275,7	370	736	45,8	80	82	37	85,5	80
2019-10-29 13:42:51	70,9	71,1	70	449,8	426,2	736	32,39	80	82	38	82,6	80
2019-10-29 13:43:51	71,2	71,1	66	587	472,1	727	17,57	80	78	38	85,4	80
2019-10-29 13:44:51	70,6	71,1	70	644,6	511,9	736	15,37	80	82	37	84,1	80
2019-10-29 13:45:51	70,3	71,1	70	643,6	546,6	736	17,37	80	82	38	81,2	80
2019-10-29 13:46:51	70,2	71,1	70	625,8	575,7	736	21,6	80	82	39	76,3	80
2019-10-29 13:47:51	70,4	71,1	70	615,2	600,1	736	25,21	80	82	38	80,1	80
2019-10-29 13:48:51	71,1	71,1	66	631,2	620,7	727	23,15	80	78	36	87,2	80
2019-10-29 13:49:51	72,3	71,1	58	644,3	635,4	709	19,06	80	70	36	84,6	80
2019-10-29 13:50:51	73,7	71,1	54	647,2	645,8	698	18,15	80	68	37	84,2	80
2019-10-29 13:51:51	75,1	71,1	46	640,6	651,8	672	16,49	80	55	30	100,1	80
2019-10-29 13:52:51	76,2	71,1	42	625,5	654,5	662	17,62	80	52	32	81,7	80
2019-10-29 13:53:51	77	71,1	34	622,2	654,1	645	15,96	80	44	30	80,6	80
2019-10-29 13:54:51	77,6	71,1	34	622,9	652,7	645	16,33	80	44	30	79,2	80
2019-10-29 13:55:51	78,3	71,1	30	633,2	651	639	14,32	81	41	30	81,4	80
2019-10-29 13:56:51	79	71,1	30	632,7	649,2	639	14,5	81	41	30	81,9	80
2019-10-29 14:05:51	68,2	71,1	74	275,3	338,1	745	39,75	80	86	33	83,3	80
2019-10-29 14:06:51	67,6	71,1	82	272,4	402,5	764	55,77	80	93	51	77,2	80
2019-10-29 14:07:51	67,3	71,1	82	353,6	458,9	764	55,27	80	93	50	83,8	80
2019-10-29 14:08:51	67,7	71,1	82	507,3	505,4	764	43,4	80	93	52	79,9	80
2019-10-29 14:09:51	69	71,1	74	622,4	543,8	745	27,31	80	86	46	83,7	80
2019-10-29 14:10:51	70,5	71,1	70	664,2	574,2	736	21,67	80	82	38	78,1	80
2019-10-29 14:11:51	71,8	71,1	66	666,5	598,3	727	20,33	80	78	37	82,1	80
2019-10-29 14:12:51	72,5	71,1	62	659,6	616,9	718	20,13	80	74	39	77,2	80
2019-10-29 14:13:51	72,5	71,1	62	655,2	632,3	718	21,88	80	74	38	78,6	80
2019-10-29 14:14:51	72,6	71,1	58	645,2	644,1	709	22,31	80	70	38	80,7	80
2019-10-29 14:15:51	72,8	71,1	58	647	654,2	709	23,32	80	70	36	89	80
2019-10-29 14:16:51	73,2	71,1	54	663,2	661,7	698	20,48	80	68	38	80	80
2019-10-29 14:17:51	73,9	71,1	54	660,9	667,2	698	21,42	80	68	39	78,2	80
2019-10-29 14:18:51	75,2	71,1	46	655,5	669,6	672	19,3	80	55	32	88,9	80
2019-10-29 14:19:51	76,6	71,1	38	658,5	667,8	652	16,13	80	48	32	80	80
2019-10-29 14:20:51	77,9	71,1	34	649,6	664,7	645	15,72	80	44	30	80,2	80
2019-10-29 14:21:51	78,9	71,1	30	636,8	660,7	639	16,17	81	41	30	79	80
2019-10-29 14:48:51	65,7	71,1	0	139,7	150	150	30	20	90	39	95,3	80
2019-10-29 14:53:51	69,6	71,1	74	306,2	389,6	745	43,63	80	86	37	77	80
2019-10-29 14:54:51	69,6	71,1	74	345,2	443,8	745	47,32	80	86	35	86,2	80
2019-10-29 14:55:51	69,8	71,1	74	462,6	490	745	40,12	80	86	38	79,2	80
2019-10-29 14:56:51	70,4	71,1	70	590,6	528,2	736	26,3	80	82	36	85,8	80
2019-10-29 14:57:51	70,9	71,1	70	653,7	559,9	736	20,98	80	82	39	74,2	80
2019-10-29 14:58:51	70,9	71,1	70	667,9	585,8	736	20,62	80	78	38	78	80
2019-10-29 14:59:51	70,5	71,1	70	657,9	608,9	736	23,32	80	82	38	81	80
2019-10-29 15:00:51	70,2	71,1	70	655,2	628,2	736	25,29	80	82	38	78,3	80
2019-10-29 15:01:51	70,4	71,1	70	659,7	644,8	736	26,31	80	82	37	83,9	80
2019-10-29 15:02:51	70,8	71,1	70	665,5	658,9	736	27,21	80	82	38	81,5	80
2019-10-29 15:03:51	71,5	71,1	62	681,2	669	718	21,84	80	74	38	77,6	80
2019-10-29 15:04:51	72,2	71,1	58	674,6	676	709	21,41	80	70	39	76	80
2019-10-29 15:05:51	72,9	71,1	58	659,8	681,1	709	23,98	80	70	38	80,9	80
2019-10-29 15:06:51	73,4	71,1	54	651,8	683,9	698	24	80	68	39	77,7	80



Appendix 16

2019-10-29 15:07:51	73,8	71,1	54	656,1	686	698	24,35	80	68	39	80,3	80
2019-10-29 15:08:51	74,4	71,1	50	664	686,2	684	22,36	80	59	39	76,1	80
2019-10-29 15:09:51	74,8	71,1	46	669,9	685	672	20,25	80	55	31	81,3	80
2019-10-29 15:10:51	75,4	71,1	42	664,5	681,8	662	19,41	80	52	31	79,2	80
2019-10-29 15:11:51	76,3	71,1	38	658,2	678,2	652	18,73	80	48	33	76,6	80
2019-10-29 15:12:51	76,9	71,1	38	675	674,2	652	16,37	80	48	31	78	80
2019-10-29 15:13:51	76,4	71,1	34	677,1	670,2	645	14,42	80	44	32	79,6	80
2019-10-29 15:14:51	75,1	71,1	38	668,1	667,1	652	16,32	80	48	31	80,3	80
2019-10-29 15:15:51	74,5	71,1	42	665,2	666,1	662	17,95	80	52	30	79,6	80
2019-10-29 15:16:51	74,8	71,1	42	665,6	665,4	662	17,82	80	52	30	89,3	80
2019-10-29 15:17:51	75,7	71,1	38	663,3	663,6	652	16,48	80	48	30	88,8	80
2019-10-29 15:18:51	76,9	71,1	30	658,6	660,2	639	14,44	81	41	30	78,3	80
2019-10-29 15:19:51	78,1	71,1	30	657,3	657	639	14,21	81	41	30	80,8	80
2019-10-29 15:20:51	79,1	71,1	30	649,3	654,2	639	14,84	81	41	30	77,9	80
2019-10-29 15:47:51	65,2	71,1	0	139,6	150	150	30	20	100	41	85,2	80
2019-10-29 15:52:51	65,3	71,1	90	306,3	374,9	785	55,99	80	98	49	88,5	80
2019-10-29 15:53:51	65,1	71,1	90	335,3	437,9	785	61,88	80	98	50	84,2	80
2019-10-29 15:54:51	65,7	71,1	90	458,7	491,6	785	54,93	80	98	54	76,8	80
2019-10-29 15:55:51	67,1	71,1	82	585	535,5	764	37,02	80	93	55	88,3	80
2019-10-29 15:56:51	69,3	71,1	74	647,5	569,5	745	26,28	80	86	36	95,4	80
2019-10-29 15:57:51	70,9	71,1	70	663,7	595,9	736	21,04	80	82	38	77,6	80
2019-10-29 15:58:51	70,7	71,1	70	663,2	616,3	736	24,83	80	82	35	87,6	80
2019-10-29 15:59:51	69,5	71,1	74	655,3	635,3	745	30,06	80	86	36	86	80
2019-10-29 16:00:51	69,2	71,1	74	667,1	652	745	30,32	80	86	37	84,1	80
2019-10-29 16:01:51	70,3	71,1	70	690	665,9	736	26,28	80	82	38	79,2	80
2019-10-29 16:02:51	72,1	71,1	58	696,9	675,2	709	19,5	80	70	40	72,9	80
2019-10-29 16:03:51	74,1	71,1	50	692,5	679,2	684	16,74	80	59	38	80,3	80
2019-10-29 16:04:51	75,8	71,1	46	671,7	678,9	672	17,57	80	55	30	83,1	80
2019-10-29 16:05:51	77	71,1	38	653,4	676,3	652	16,93	80	48	30	79,9	80
2019-10-29 16:06:51	77,8	71,1	34	650,5	671,5	645	15,96	80	44	30	82,3	80
2019-10-29 16:07:51	78,5	71,1	30	650,3	666,7	639	14,77	81	41	30	83,4	80
2019-10-29 16:08:51	79,1	71,1	30	649,4	662,5	639	14,66	81	41	30	88,8	80
2019-10-29 16:09:51	78,9	71,1	34	638	659	645	16,91	80	44	30	82,8	80
2019-10-29 16:10:51	78,5	71,1	34	627,9	656,8	645	18,37	80	44	30	78,5	80
2019-10-29 16:11:51	78,2	71,1	30	640	654,1	639	16,04	81	41	30	77,2	80
2019-10-29 16:12:51	77,7	71,1	34	651,3	652	645	15,48	80	44	30	80,3	80
2019-10-29 16:13:51	76,4	71,1	38	650,9	651,3	652	16,64	80	48	30	79,6	80
2019-10-29 16:14:51	74,7	71,1	46	649,6	652,9	672	19,8	80	55	30	81,1	80
2019-10-29 16:15:51	73,5	71,1	50	656,1	656,7	684	21,08	80	59	39	79,3	80
2019-10-29 16:16:51	73,5	71,1	50	669,3	660,9	684	19,98	80	59	36	85,8	80
2019-10-29 16:17:51	73,7	71,1	50	663,5	664,4	684	21,09	80	59	38	79,3	80
2019-10-29 16:18:51	74	71,1	42	663,7	665,5	662	18,21	80	52	30	82	80
2019-10-29 16:19:51	74,4	71,1	42	663,2	664,9	662	18,2	80	52	30	86,8	80
2019-10-29 16:20:51	75,1	71,1	38	665,4	664,3	652	16,47	80	48	30	88,3	80
2019-10-29 16:21:51	76,2	71,1	34	666,5	662,2	645	14,86	80	44	30	84,2	80
2019-10-29 16:22:51	77,4	71,1	30	666,7	658,6	639	13,4	81	41	30	88,2	80
2019-10-29 16:23:51	78,6	71,1	30	658,8	655,6	639	13,97	81	41	30	87,2	80
2019-10-29 16:46:51	67,3	71,1	82	147,7	200,9	764	46,31	16	93	45	76,1	80
2019-10-29 16:47:51	67	71,1	82	204,9	287,4	764	51,35	80	100	100	163,3	80
2019-10-29 16:48:51	67,4	71,1	82	451,6	361,7	764	30,66	80	93	62	82,1	80
2019-10-29 16:49:51	69,1	71,1	74	616,1	422	745	6	80	86	38	99,7	80
2019-10-29 16:50:51	70,8	71,1	70	619,4	470,8	736	6	80	82	37	80,9	80
2019-10-29 16:51:51	71,6	71,1	66	580,8	510	727	8,9	80	78	36	83	80
2019-10-29 16:52:51	71,9	71,1	66	548,5	543,9	727	16,16	80	78	35	88,8	80
2019-10-29 16:53:51	72,2	71,1	58	536,1	570	709	16,9	80	70	36	86,2	80
2019-10-29 16:54:51	72,2	71,1	58	544,7	591,3	709	19,22	80	70	39	77,8	80
2019-10-29 16:55:51	72,3	71,1	58	563,4	609,4	709	20,06	80	70	38	84,1	80
2019-10-29 16:56:51	72,6	71,1	58	579,9	624,8	709	20,8	80	70	36	90,8	80
2019-10-29 16:57:51	73	71,1	54	596,5	637,5	698	19,35	80	68	37	81,8	80
2019-10-29 16:58:51	73,1	71,1	54	603,2	646,8	698	20,46	80	68	38	84,4	80
2019-10-29 16:59:51	72,8	71,1	58	611,5	655,2	709	23,1	80	70	37	86	80
2019-10-29 17:00:51	72,8	71,1	58	617,1	663,4	709	24,27	80	70	38	77,9	80
2019-10-29 17:01:51	73,5	71,1	50	624,4	668	684	21,45	80	59	37	81	80
2019-10-29 17:02:51	74,8	71,1	46	641	669,2	672	18,7	80	55	32	78,5	80
2019-10-29 17:03:51	76,1	71,1	38	646,8	668,1	652	15,51	80	48	30	79,3	80
2019-10-29 17:04:51	77,3	71,1	30	646,4	665,2	639	13,4	81	41	30	77,9	80
2019-10-29 17:05:51	78,4	71,1	30	644	661,1	639	13,54	81	41	30	78,8	80
2019-10-29 17:43:51	66,3	71,1	0	125,2	134	134	30	20	90	44	82,6	80
2019-10-29 17:48:51	63,3	71,1	100	286,8	379,2	805	66,68	80	100	46	94,4	80
2019-10-29 17:49:51	63,3	71,1	100	358,1	444,1	805	67,83	80	100	53	89,1	80

Appendix 16

2019-10-29 17:50:51	63,6	71,1	100	523	500,4	805	55,42	80	100	60	87,9	80
2019-10-29 17:51:51	64,7	71,1	94	634,6	545,6	792	41,07	80	98	61	80,5	80
2019-10-29 17:52:51	66,2	71,1	86	679,9	582,4	779	29,41	80	98	56	82,3	80
2019-10-29 17:53:51	67,8	71,1	82	685,8	611,1	764	26,86	80	93	48	84,5	80
2019-10-29 17:54:51	68,9	71,1	78	660,6	633,7	755	28,41	80	89	44	87,2	80
2019-10-29 17:55:51	69,6	71,1	74	652,2	650,9	745	28,51	80	86	36	84,5	80
2019-10-29 17:56:51	69,9	71,1	74	667,4	665,2	745	28,4	80	86	39	76,8	80
2019-10-29 17:57:51	70,1	71,1	70	685,9	676,2	736	24,81	80	82	39	77,5	80
2019-10-29 17:58:51	70,2	71,1	70	686,1	685,4	736	25,88	80	82	38	80,6	80
2019-10-29 17:59:51	69,9	71,1	74	691,6	693,5	745	28,8	80	86	41	72,3	80
2019-10-29 18:00:51	69,6	71,1	74	696,7	701,3	745	29,14	80	86	37	82,3	80
2019-10-29 18:01:51	69,5	71,1	78	701,5	708	755	32,17	80	89	40	74	80
2019-10-29 18:02:51	70	71,1	74	705,9	715,2	745	29,8	80	86	48	75,5	80
2019-10-29 18:03:51	71,1	71,1	70	712	719,6	736	27,01	80	82	38	75,3	80
2019-10-29 18:04:51	72,3	71,1	66	711,6	721,7	727	24,94	80	78	35	89,6	80
2019-10-29 18:05:51	73,5	71,1	62	714,6	721,8	718	22,55	80	74	40	75,4	80
2019-10-29 18:06:51	74,7	71,1	58	718,7	720,3	709	19,88	80	70	37	81,6	80
2019-10-29 18:07:51	76,1	71,1	46	696,9	715,1	672	17	80	55	30	90,4	80
2019-10-29 18:08:51	77,4	71,1	42	672,9	707,9	662	18,15	80	52	30	85,5	80
2019-10-29 18:09:51	78,6	71,1	34	661,2	699,4	645	16,64	80	44	30	85,4	80
2019-10-29 18:30:51	66,6	71,1	86	154,3	223,6	779	49,12	80	98	47	75,8	80
2019-10-29 18:31:51	66	71,1	86	176,6	308,2	779	58,65	80	98	54	74,2	80
2019-10-29 18:32:51	66	71,1	86	321,7	381	779	52,03	80	98	63	78,8	80
2019-10-29 18:33:51	67	71,1	82	533,3	442,5	764	30,02	80	93	60	80,8	80
2019-10-29 18:34:51	68,8	71,1	78	617,7	490,8	755	20,22	80	89	48	79,8	80
2019-10-29 18:35:51	70,4	71,1	70	626	529,6	736	16,3	80	82	39	78,3	80
2019-10-29 18:36:51	71,4	71,1	66	617,4	560,3	727	17,18	80	78	38	79,6	80
2019-10-29 18:37:51	71,9	71,1	66	602,8	586,3	727	21,34	80	78	36	89,7	80
2019-10-29 18:38:51	72,1	71,1	58	603,5	605,7	709	19,33	80	70	35	88,7	80
2019-10-29 18:39:51	72,3	71,1	58	607,8	621,5	709	20,78	80	70	38	79,6	80
2019-10-29 18:40:51	72,8	71,1	58	611	634,9	709	22,37	80	70	39	79,3	80
2019-10-29 18:41:51	73,9	71,1	54	620,2	644,9	698	21,18	80	68	39	82	80
2019-10-29 18:42:51	75,3	71,1	46	629,9	650,5	672	17,9	80	55	30	85,3	80
2019-10-29 18:43:51	76,8	71,1	38	635,8	651,9	652	14,92	80	48	30	78,6	80
2019-10-29 18:44:51	78,1	71,1	30	636,8	650,9	639	12,76	81	41	30	90,8	80
2019-10-29 18:45:51	79,1	71,1	30	631,4	649	639	13,5	81	41	30	79,7	80
2019-10-29 19:09:51	69,2	71,1	0	129,4	143,6	143,6	30	20	100	49	87,6	80
2019-10-29 19:13:51	71,1	71,1	66	328,5	359,8	727	29,57	80	78	32	83,5	80
2019-10-29 19:14:51	70,2	71,1	70	317	417,2	736	41,54	80	82	40	73,5	80
2019-10-29 19:15:51	68,9	71,1	78	373,2	467,4	755	48,26	80	89	47	65,6	80
2019-10-29 19:16:51	68,1	71,1	78	494,1	511,2	755	40,11	80	89	48	79,5	80
2019-10-29 19:17:51	68,9	71,1	78	607,4	549	755	30,57	80	89	48	76,2	80
2019-10-29 19:18:51	70,7	71,1	70	658	578,6	736	21,25	80	82	34	90,8	80
2019-10-29 19:19:51	72,9	71,1	62	662,8	600,8	718	17,33	80	74	36	83	80
2019-10-29 19:20:51	74,3	71,1	50	649	615,1	684	14,38	80	59	39	78,3	80
2019-10-29 19:21:51	74,5	71,1	50	626,7	625,8	684	18,02	80	59	39	78,8	80
2019-10-29 19:22:51	74,3	71,1	50	610,5	634,7	684	21,26	80	59	39	78,7	80
2019-10-29 19:23:51	73,9	71,1	54	614,4	642,9	698	23,89	80	68	40	75,1	80
2019-10-29 19:24:51	73,8	71,1	54	623,7	651,3	698	24,33	80	68	38	83,8	80
2019-10-29 19:25:51	74,3	71,1	50	634,2	657,2	684	22,66	80	59	36	83,4	80
2019-10-29 19:26:51	74,9	71,1	46	651,8	659,6	672	19,53	80	55	33	77,9	80
2019-10-29 19:27:51	75,6	71,1	42	666,8	660	662	16,38	80	52	30	80,9	80
2019-10-29 19:28:51	75,9	71,1	42	672,9	660,3	662	15,54	80	52	30	84,6	80
2019-10-29 19:29:51	76,5	71,1	38	669,6	659,2	652	14,17	80	48	30	83,3	80
2019-10-29 19:30:51	77,4	71,1	30	659,5	656,6	639	12,84	81	41	30	90	80
2019-10-29 19:31:51	78,5	71,1	30	638,7	653,9	639	15,09	81	41	30	80,8	80
2019-10-29 20:03:51	66,4	71,1	0	129,1	141,7	141,7	30	20	100	50	82,3	80
2019-10-29 20:07:51	67,9	71,1	82	320,1	337,9	764	40,87	80	93	42	84,8	80
2019-10-29 20:08:51	67,4	71,1	82	308,7	402,8	764	51,16	80	93	49	78,6	80
2019-10-29 20:09:51	67,2	71,1	82	369,4	458,3	764	52,47	80	93	53	75,5	80
2019-10-29 20:10:51	67,9	71,1	82	494,2	505,6	764	44,17	80	93	48	82,3	80
2019-10-29 20:11:51	69,6	71,1	74	605,7	543,1	745	28,73	80	86	36	89,5	80
2019-10-29 20:12:51	71,6	71,1	66	667,6	572,5	727	18,24	80	78	36	88,5	80
2019-10-29 20:13:51	72,9	71,1	62	673,1	595,1	718	16,38	80	74	36	86,6	80
2019-10-29 20:14:51	73,7	71,1	54	651,1	611	698	16	80	68	36	86,1	80
2019-10-29 20:15:51	74,4	71,1	50	629,7	623	684	17,99	80	59	36	84,7	80
2019-10-29 20:16:51	74,9	71,1	50	620,6	632,3	684	20,24	80	59	38	84,6	80
2019-10-29 20:17:51	75,8	71,1	46	623,1	638,4	672	19,34	80	55	32	82	80
2019-10-29 20:18:51	76,8	71,1	38	631,3	641,2	652	16,15	80	48	30	84,7	80
2019-10-29 20:19:51	78	71,1	30	636,9	641,8	639	13,37	81	41	32	77,8	80

Appendix 16

2019-10-29 20:20:51	79,2	71,1	30	634,1	641,4	639	13,68	81	41	30	86,4	80
2019-10-29 20:41:51	67,3	71,1	82	146,4	193,1	764	43,81	16	93	48	74,6	80
2019-10-29 20:42:51	66,3	71,1	86	204,3	282,4	779	52,67	80	100	100	168,2	80
2019-10-29 20:43:51	65,9	71,1	90	400,5	359,2	785	42,92	80	98	63	76,1	80
2019-10-29 20:44:51	66,4	71,1	86	573,7	423,4	779	23,65	80	98	57	84,8	80
2019-10-29 20:45:51	67,1	71,1	82	626,7	477,5	764	9,71	80	93	46	84,9	80
2019-10-29 20:46:51	67,7	71,1	82	606,8	521,8	764	15,1	80	93	50	76,6	80
2019-10-29 20:47:51	68,2	71,1	78	578,8	558,5	755	18,7	80	89	42	83,2	80
2019-10-29 20:48:51	68,6	71,1	78	572,7	588,4	755	23,02	80	89	46	79,1	80
2019-10-29 20:49:51	69,1	71,1	74	575,2	613,5	745	23,48	80	86	38	81,9	80
2019-10-29 20:50:51	69,6	71,1	74	591,4	633,8	745	24,77	80	86	37	81,1	80
2019-10-29 20:51:51	70,2	71,1	70	617,7	650,3	736	21,72	80	82	38	80,3	80
2019-10-29 20:52:51	70,9	71,1	70	637,4	663,4	736	21,48	80	82	41	75,8	80
2019-10-29 20:53:51	71,7	71,1	62	643,2	672,4	718	17,79	80	74	38	81,5	80
2019-10-29 20:54:51	73	71,1	54	640,4	678,2	698	15,67	80	68	36	87,1	80
2019-10-29 20:55:51	74,3	71,1	50	631,4	680,7	684	16,28	80	59	34	90,6	80
2019-10-29 20:56:51	75,5	71,1	46	622,3	680,3	672	16,74	80	55	30	88,5	80
2019-10-29 20:57:51	76,2	71,1	38	615,2	677,4	652	15,62	80	48	30	84,4	80
2019-10-29 20:58:51	75,2	71,1	42	615,7	674,2	662	17,76	80	52	30	84,4	80
2019-10-29 20:59:51	73,3	71,1	50	625	674,4	684	20,69	80	59	38	92,2	80
2019-10-29 21:00:51	72,6	71,1	54	644,7	677,6	698	21,1	80	68	38	82,6	80
2019-10-29 21:01:51	73,4	71,1	50	661	679,8	684	18,26	80	59	38	80,7	80
2019-10-29 21:02:51	75,1	71,1	38	654,4	679,2	652	15	80	48	30	89,4	80
2019-10-29 21:03:51	76,7	71,1	34	645,2	674,5	645	14,85	80	44	30	85,3	80
2019-10-29 21:04:51	77,9	71,1	30	638,1	669,2	639	14,67	81	41	30	80,9	80
2019-10-29 21:05:51	78,4	71,1	30	632,6	664,6	639	15,37	81	41	30	86	80
2019-10-29 21:06:51	78,6	71,1	30	624,3	660,7	639	16,56	81	41	30	85,2	80
2019-10-29 21:07:51	78,6	71,1	30	627,1	657,3	639	16,48	81	41	30	81,1	80
2019-10-29 21:08:51	79	71,1	30	636	654,5	639	15,54	81	41	30	77,4	80
2019-10-29 21:45:51	65,2	71,1	0	121,4	133	133	30	20	100	40	85,6	80
2019-10-29 21:50:51	65,3	71,1	90	296,3	349,9	785	53,15	80	98	46	83,1	80
2019-10-29 21:51:51	65,6	71,1	90	309,4	416,2	785	61,21	80	98	47	86,2	80
2019-10-29 21:52:51	65,9	71,1	90	417	472,9	785	56,8	80	98	57	77,4	80
2019-10-29 21:53:51	67	71,1	82	559	519,5	764	37,64	80	93	56	89,1	80
2019-10-29 21:54:51	68,8	71,1	78	637	557	755	28,32	80	89	47	79,5	80
2019-10-29 21:55:51	70,8	71,1	70	657,7	585,1	736	22,3	80	82	37	83	80
2019-10-29 21:56:51	72,6	71,1	62	659,3	606,4	718	18,86	80	74	38	79,8	80
2019-10-29 21:57:51	73,5	71,1	54	643,5	621,3	698	18,02	80	68	37	81,5	80
2019-10-29 21:58:51	72,7	71,1	58	623,9	633,3	709	23,52	80	70	38	81,2	80
2019-10-29 21:59:51	70,8	71,1	66	632,7	646	727	28,45	80	78	39	75,8	80
2019-10-29 22:00:51	69,2	71,1	70	652,6	659,3	736	30,18	80	82	38	80,1	80
2019-10-29 22:01:51	68,8	71,1	74	672,3	672	745	31,94	80	86	38	77,7	80
2019-10-29 22:02:51	69,5	71,1	70	691,5	682,2	736	28,26	80	82	39	80,3	80
2019-10-29 22:03:51	71,1	71,1	62	712,9	689,5	718	21,65	80	74	38	80,8	80
2019-10-29 22:04:51	72,9	71,1	58	708,2	693,1	709	18,4	80	70	36	85,2	80
2019-10-29 22:05:51	74,8	71,1	46	681,8	690,9	672	18,06	80	55	30	89,7	80
2019-10-29 22:06:51	76,2	71,1	38	661,6	686,4	652	17,49	80	48	30	84,9	80
2019-10-29 22:07:51	77,2	71,1	34	661,1	680,8	645	16,14	80	44	30	81,1	80
2019-10-29 22:08:51	78	71,1	30	655	674,3	639	15,46	81	41	30	88,9	80
2019-10-29 22:09:51	78,8	71,1	30	647,6	668,9	639	16,09	81	41	30	83,5	80
2019-10-29 22:43:51	66,9	71,1	0	126	138,3	138,3	30	20	100	52	70,8	80
2019-10-29 22:48:51	67,2	71,1	82	301,7	383,6	764	49,66	80	93	46	86,6	80
2019-10-29 22:49:51	67,6	71,1	82	345,1	442	764	53,34	80	93	50	78,3	80
2019-10-29 22:50:51	68,4	71,1	78	470,1	491,2	755	42,28	80	89	47	81,1	80
2019-10-29 22:51:51	69,9	71,1	74	593,1	530,8	745	29,02	80	86	39	77,5	80
2019-10-29 22:52:51	71,7	71,1	66	649,3	561,8	727	19,45	80	78	37	82,7	80
2019-10-29 22:53:51	73,4	71,1	58	661	585,4	709	15,07	80	70	38	81,6	80
2019-10-29 22:54:51	74,9	71,1	50	641,1	601,3	684	14,85	80	59	37	87,7	80
2019-10-29 22:55:51	76,1	71,1	42	625,8	611,9	662	14,49	80	52	31	80,3	80
2019-10-29 22:56:51	76,8	71,1	42	617,7	619,7	662	16,33	80	52	30	84,7	80
2019-10-29 22:57:51	76,9	71,1	38	618,4	624,5	652	15,43	80	44	32	75,7	80
2019-10-29 22:58:51	76,1	71,1	38	610,3	628,7	652	17,06	80	48	30	81,2	80
2019-10-29 22:59:51	74,5	71,1	46	607,2	634	672	21,34	80	55	30	79,9	80
2019-10-29 23:00:51	73,1	71,1	50	621,5	641,2	684	22,56	80	59	37	84,8	80
2019-10-29 23:01:51	73,4	71,1	50	645,6	647,8	684	20,58	80	59	37	82,2	80
2019-10-29 23:02:51	74,9	71,1	46	650,5	652,3	672	18,94	80	55	32	76,2	80
2019-10-29 23:03:51	76,5	71,1	34	645,6	652,1	645	15,51	80	44	30	84,6	80
2019-10-29 23:04:51	78	71,1	30	628,8	650,3	639	16,56	81	41	30	83,9	80
2019-10-29 23:05:51	79,1	71,1	30	619,8	648,6	639	17,94	81	41	30	79,9	80
2019-10-29 23:45:51	65,3	71,1	0	116,8	125,5	125,5	30	20	100	41	83,2	80

Appendix 16

2019-10-29 23:50:51	66,2	71,1	86	271,9	306,9	779	47,76	80	98	45	82,4	80
2019-10-29 23:51:51	66,4	71,1	86	275,5	379,4	779	57,46	80	98	46	92,2	80
2019-10-29 23:52:51	66,6	71,1	86	366,5	441,2	779	55,87	80	98	56	78,5	80
2019-10-29 23:53:51	67,4	71,1	82	513,8	492,1	764	41,19	80	93	51	87,6	80
2019-10-29 23:54:51	69	71,1	74	603	532,5	745	28,34	80	86	40	100,9	80
2019-10-29 23:55:51	70,9	71,1	70	642,3	564,4	736	23,39	80	82	40	74,9	80
2019-10-29 23:56:51	72,7	71,1	62	648,1	588,7	718	19,66	80	74	38	83,7	80
2019-10-29 23:57:51	73,7	71,1	54	638	606,2	698	18,3	80	68	37	87,4	80
2019-10-29 23:58:51	73	71,1	54	630,6	620,3	698	20,49	80	68	37	82,9	80
2019-10-29 23:59:51	72,2	71,1	58	626,1	633,9	709	24,46	80	70	40	78,1	80
2019-10-30 00:00:51	72,2	71,1	58	637,3	645,3	709	24,56	80	70	41	74,4	80
2019-10-30 00:03:51	73	71,1	54	650,6	670,4	698	24,45	80	68	40	79,4	80
2019-10-30 00:04:51	73,2	71,1	50	660	673,7	684	22,44	80	59	39	77,9	80
2019-10-30 00:05:51	73,6	71,1	50	664	675,3	684	22,38	80	59	35	89,7	80
2019-10-30 00:06:51	74,1	71,1	46	660,1	676,2	672	21,61	80	55	30	85,5	80
2019-10-30 00:07:51	74,5	71,1	46	657,1	675,6	672	22,28	80	55	32	79,9	80
2019-10-30 00:08:51	75,1	71,1	42	666,3	674,6	662	19,89	80	52	31	80,5	80
2019-10-30 00:09:51	75,6	71,1	38	669,1	672	652	17,85	80	48	30	79,8	80
2019-10-30 00:10:51	76	71,1	34	671,6	668,8	645	15,97	80	44	30	86,7	80
2019-10-30 00:11:51	76,5	71,1	34	664,1	665,1	645	16,42	80	44	30	85	80
2019-10-30 00:12:51	76,8	71,1	34	650,1	662,1	645	17,8	80	44	30	82,1	80
2019-10-30 00:13:51	76,1	71,1	30	650,9	659	639	16,49	81	41	30	85,6	80
2019-10-30 00:14:51	73,5	71,1	42	656,5	657,5	662	19,24	80	52	30	82,7	80
2019-10-30 00:15:51	71	71,1	50	675,2	660,3	684	20,23	80	59	40	81,7	80
2019-10-30 00:16:51	70,3	71,1	54	682,4	666	698	21,34	80	68	39	82	80
2019-10-30 00:17:51	71,3	71,1	50	670,2	670,3	684	21,56	80	59	37	84,8	80
2019-10-30 00:18:51	72,8	71,1	46	657,1	671,4	672	21,77	80	55	30	88,4	80
2019-10-30 00:19:51	74,5	71,1	34	650,1	669,1	645	18,68	80	44	30	79	80
2019-10-30 00:20:51	75,8	71,1	30	649,5	664,8	639	17,58	81	41	30	82,3	80
2019-10-30 00:21:51	76,7	71,1	30	648,9	660,8	639	17,44	81	41	30	86,3	80
2019-10-30 00:22:51	77,4	71,1	30	645,7	657,5	639	17,64	81	41	30	87,6	80
2019-10-30 00:23:51	78,3	71,1	30	640,6	654,6	639	18,17	81	41	30	79,3	80
2019-10-30 00:24:51	79,3	71,1	30	642,1	652,3	639	17,94	81	41	30	86	80
2019-10-30 00:46:51	66,1	71,1	86	151,7	199,5	779	51,46	80	98	42	82,5	80
2019-10-30 00:47:51	65,5	71,1	90	165,5	288,6	785	66,44	80	98	50	78,6	80
2019-10-30 00:48:51	65,6	71,1	90	283,4	366	785	63,84	80	98	56	78	80
2019-10-30 00:49:51	66,6	71,1	86	481,1	429,4	779	43,85	80	98	61	83,3	80
2019-10-30 00:50:51	68,5	71,1	78	614,2	481	755	25,3	80	89	46	84	80
2019-10-30 00:51:51	70,8	71,1	70	656,7	520,9	736	16,94	80	82	39	77,6	80
2019-10-30 00:52:51	72,7	71,1	62	651,5	552	718	14,41	80	74	36	84	80
2019-10-30 00:53:51	74,2	71,1	50	625,7	574,6	684	13,37	80	59	38	77,3	80
2019-10-30 00:54:51	75,1	71,1	46	603,7	591	672	15,78	80	55	30	90,2	80
2019-10-30 00:55:51	75,7	71,1	46	595,1	603,4	672	18,29	80	55	30	80	80
2019-10-30 00:56:51	76,2	71,1	42	608	613,1	662	16,52	80	52	30	82,7	80
2019-10-30 00:57:51	76,5	71,1	38	625,3	619,5	652	13,81	80	48	30	82,1	80
2019-10-30 00:58:51	76	71,1	38	622,5	624,4	652	14,73	80	48	30	79,8	80
2019-10-30 00:59:51	75,2	71,1	42	624,4	630	662	16,58	80	52	30	85,1	80
2019-10-30 01:00:51	74,4	71,1	46	622,9	635,9	672	18,98	80	55	30	79,1	80
2019-10-30 01:01:51	73,9	71,1	50	627,7	642,2	684	21,04	80	59	38	89	80
2019-10-30 01:02:51	73,9	71,1	50	641,5	648,5	684	20,28	80	59	37	83,4	80
2019-10-30 01:03:51	74,8	71,1	42	642,8	651	662	17,44	80	52	30	82,4	80
2019-10-30 01:04:51	76	71,1	34	643,3	651,3	645	14,84	80	44	30	79,3	80
2019-10-30 01:05:51	77,3	71,1	30	639,5	650,1	639	14,18	81	41	30	85,2	80
2019-10-30 01:06:51	78,7	71,1	30	630,1	648,4	639	15,38	81	41	30	89	80
2019-10-30 01:32:51	67,2	71,1	0	142	150	150	30	20	100	43	78,7	80
2019-10-30 01:37:51	67	71,1	82	295,1	340,7	764	44,32	80	93	43	89,1	80
2019-10-30 01:38:51	67	71,1	82	300,4	407,6	764	53,29	80	93	51	83,2	80
2019-10-30 01:39:51	67,4	71,1	82	381,7	461,9	764	52,04	80	93	49	83,7	80
2019-10-30 01:40:51	68,4	71,1	78	522,8	507,8	755	38,02	80	89	48	81,2	80
2019-10-30 01:41:51	70	71,1	70	615,3	544,8	736	25,04	80	82	36	86,9	80
2019-10-30 01:42:51	71,3	71,1	66	664,4	573,9	727	18,66	80	78	37	83,2	80
2019-10-30 01:43:51	71,5	71,1	66	668,7	597,4	727	19,33	80	78	38	81,2	80
2019-10-30 01:44:51	70,9	71,1	70	651,6	617,3	736	25,18	80	82	37	84,8	80
2019-10-30 01:45:51	70,9	71,1	70	649,1	635,5	736	27,22	80	82	38	79,7	80
2019-10-30 01:46:51	71,6	71,1	62	659,6	648,7	718	22,83	80	74	37	85,1	80
2019-10-30 01:47:51	72,5	71,1	58	666,8	658,6	709	20,94	80	70	39	77,1	80
2019-10-30 01:48:51	73,4	71,1	54	645,9	665,4	698	22,58	80	68	40	73,6	80
2019-10-30 01:49:51	74,1	71,1	50	640,4	669,8	684	22,67	80	59	38	80,1	80
2019-10-30 01:50:51	74,9	71,1	50	653,9	671,9	684	21,78	80	59	37	84,6	80
2019-10-30 01:51:51	75,8	71,1	42	663,3	671,2	662	17,73	80	52	30	83,9	80

Appendix 16

2019-10-30 01:52:51	76,7	71,1	38	654,2	668,4	652	17,18	80	48	30	83,4	80
2019-10-30 01:53:51	77,7	71,1	34	655,7	665,1	645	15,61	80	44	31	80,8	80
2019-10-30 01:54:51	78,8	71,1	30	652,8	661,4	639	14,54	81	41	30	88	80
2019-10-30 02:16:51	68,1	71,1	78	148,7	168,8	755	37,97	16	89	40	81,7	80
2019-10-30 02:17:51	67,9	71,1	82	169,6	260,9	764	50,97	80	100	100	173,5	80
2019-10-30 02:18:51	68,2	71,1	78	342,2	336,7	755	37,14	80	89	49	87,3	80
2019-10-30 02:19:51	69,4	71,1	74	524,6	400,4	745	18,76	80	86	38	89,5	80
2019-10-30 02:20:51	71,2	71,1	66	607,8	451,7	727	6	80	78	38	78,9	80
2019-10-30 02:21:51	72,9	71,1	62	599,6	493,7	718	6	80	74	39	79,3	80
2019-10-30 02:22:51	74,1	71,1	50	562,5	525,9	684	6,86	80	59	38	77,9	80
2019-10-30 02:23:51	74,9	71,1	50	533,9	550	684	13,06	80	59	36	83,5	80
2019-10-30 02:24:51	75,5	71,1	46	525,6	568,9	672	15,32	80	55	30	86,2	80
2019-10-30 02:25:51	76,1	71,1	42	532,4	584,4	662	15,92	80	52	30	79,7	80
2019-10-30 02:26:51	76,7	71,1	38	556,9	596	652	13,9	80	48	33	76,3	80
2019-10-30 02:27:51	77,1	71,1	34	579,1	603,9	645	11,56	80	44	30	87,5	80
2019-10-30 02:28:51	76,4	71,1	38	582,5	610,8	652	13,68	80	48	30	89,1	80
2019-10-30 02:29:51	75	71,1	42	582,7	618,2	662	16,54	80	52	30	87,7	80
2019-10-30 02:30:51	73,9	71,1	50	588,2	626,7	684	20,64	80	59	30	61,1	80
2019-10-30 02:31:51	73,5	71,1	50	604,1	635,5	684	20,49	80	59	41	72,4	80
2019-10-30 02:32:51	73,7	71,1	50	625,4	642,9	684	19,24	80	59	41	72,1	80
2019-10-30 02:33:51	74,4	71,1	42	635,1	647,2	662	15,87	80	52	30	85,5	80
2019-10-30 02:34:51	75,4	71,1	38	631	648,8	652	15,46	80	48	30	82,1	80
2019-10-30 02:35:51	76,4	71,1	34	628,7	648,7	645	14,86	80	44	30	86,3	80
2019-10-30 02:36:51	77,3	71,1	30	626	647,8	639	14,49	81	41	30	79,9	80
2019-10-30 02:37:51	78,3	71,1	30	628,8	646,4	639	14,36	81	41	30	79,6	80
2019-10-30 03:00:51	67,7	71,1	82	147,9	202,4	764	44,65	16	93	46	84,8	80
2019-10-30 03:01:51	66,9	71,1	86	229,9	288,8	779	50,23	80	100	100	163,8	80
2019-10-30 03:02:51	66,9	71,1	86	426,9	364,1	779	35,54	80	98	63	74	80
2019-10-30 03:03:51	67,5	71,1	82	575	425,3	764	19,31	80	93	49	83,9	80
2019-10-30 03:04:51	68,6	71,1	78	606,9	477,3	755	12,02	80	89	45	82,7	80
2019-10-30 03:05:51	69,4	71,1	74	587,8	518,7	745	14,56	80	86	36	88,5	80
2019-10-30 03:06:51	69,8	71,1	74	566,8	553,5	745	20,49	80	86	38	80,6	80
2019-10-30 03:07:51	69,9	71,1	74	575,9	582,7	745	22,9	80	86	37	87,5	80
2019-10-30 03:08:51	70	71,1	70	612	607,7	736	18,96	80	82	37	83,8	80
2019-10-30 03:09:51	70,4	71,1	70	628,8	627,3	736	19,29	80	82	38	80,1	80
2019-10-30 03:10:51	71	71,1	66	629,2	643,7	727	18,88	80	78	37	82,2	80
2019-10-30 03:11:51	71,7	71,1	62	625,7	655,4	718	18,92	80	74	41	71,7	80
2019-10-30 03:12:51	72,1	71,1	58	614	664,3	709	20,18	80	70	40	76,3	80
2019-10-30 03:13:51	71,9	71,1	62	614,4	671,2	718	24,05	80	74	38	76,3	80
2019-10-30 03:14:51	70,6	71,1	66	623,8	678,7	727	27,08	80	78	37	78,5	80
2019-10-30 03:15:51	69,3	71,1	70	637,8	686,9	736	29,79	80	82	37	81,9	80
2019-10-30 03:16:51	69,1	71,1	70	661,4	694,4	736	28,64	80	82	35	88,3	80
2019-10-30 03:17:51	70,2	71,1	66	681,2	700,7	727	25,11	80	78	37	84,7	80
2019-10-30 03:18:51	71,8	71,1	62	695,5	704	718	21,8	80	74	36	87,3	80
2019-10-30 03:19:51	73,6	71,1	50	684,3	702,6	684	17,79	80	59	39	75	80
2019-10-30 03:20:51	75,1	71,1	42	667,9	698,1	662	16,7	80	52	30	80,6	80
2019-10-30 03:21:51	76,3	71,1	38	657,2	691,9	652	16,47	80	48	30	87,9	80
2019-10-30 03:22:51	77,2	71,1	30	652,8	685,3	639	14,66	81	41	30	79,9	80
2019-10-30 03:23:51	78	71,1	30	650,5	678,2	639	14,66	81	41	30	90,9	80
2019-10-30 03:24:51	78,8	71,1	30	638,8	672,2	639	15,91	81	41	30	88,2	80
2019-10-30 03:34:51	69,3	71,1	70	265,8	300,5	736	33,38	80	82	35	73,6	80
2019-10-30 03:35:51	69,4	71,1	70	254,4	367,4	736	44,25	80	82	38	83,9	80
2019-10-30 03:36:51	69,6	71,1	70	307,7	424,9	736	47,18	80	82	39	81,4	80
2019-10-30 03:37:51	70,1	71,1	70	458,4	472,3	736	36,15	80	82	37	89	80
2019-10-30 03:38:51	71,3	71,1	66	606,2	512,1	727	19,9	80	78	38	77,4	80
2019-10-30 03:39:51	73,1	71,1	58	668,3	544,1	709	9,89	80	70	40	78,7	80
2019-10-30 03:40:51	75,1	71,1	50	662	568,6	684	7,97	80	59	36	86,7	80
2019-10-30 03:41:51	76,7	71,1	42	623,3	584,9	662	10,32	80	52	30	87,6	80
2019-10-30 03:42:51	77,5	71,1	38	593,3	595,6	652	13,53	80	48	30	88,2	80
2019-10-30 03:43:51	77,2	71,1	38	585,4	604,2	652	15,7	80	48	30	87,9	80
2019-10-30 03:44:51	76,1	71,1	42	585,3	612,6	662	18,59	80	52	30	85,9	80
2019-10-30 03:45:51	74,1	71,1	50	604,2	622,3	684	20,93	80	59	38	91,7	80
2019-10-30 03:46:51	72,8	71,1	58	626	634,2	709	23,34	80	70	39	78,7	80
2019-10-30 03:47:51	73,1	71,1	54	639	645,5	698	21,35	80	68	39	75,4	80
2019-10-30 03:48:51	74,5	71,1	46	643,6	652,2	672	18,43	80	55	31	81,2	80
2019-10-30 03:49:51	76,6	71,1	38	643	653,5	652	15,88	80	48	30	83	80
2019-10-30 03:50:51	78,5	71,1	30	638,9	652	639	14,24	81	41	30	80,6	80
2019-10-30 04:18:51	68,7	71,1	0	140,3	150	150	30	20	85	43	105,5	80
2019-10-30 04:23:51	71,7	71,1	66	298,1	377,7	727	37,48	80	78	37	83,6	80
2019-10-30 04:24:51	71,9	71,1	66	349,9	432,2	727	39,51	80	78	39	76,9	80



Appendix 17

Raw data

Pellematic 56_cat IV_run 1_191209_2 underlag till rådata PDF.DAT

Category: IV

Konfigurati C:\Datainsamling\Konfiguration\EPA pellematic,KONF

Sparad: 2019-12-09 13:03

i klartext: 2019-12-09 13:04

	301	302	304	305	306	308	317	1311	1312	1313	1314	1315	1316	1317	1318	1101	1102
Mättid	CO chimney	CO2 chimney	Pdyn	Pstat	Static pressure chimney	O2 chimney	Våg	Flue gas temp	Ambient	Flue gas at pitot	filter temp 1	filter temp 2	gas meter temp 1	gas meter temp 2	gasmeter temp ambient		T4 outlet load side
Minuter	VDC	VDC	VDC	VDC	VDC	VDC	VDC	°C	°C	°C	°C	°C	°C	°C	°C	°C	°C
0,167	0,213	0,825	1,372	0,272	0,025	0,161	1,570	121,194	20,326	33,747	30,799	22,617	20,833	20,821	21,054	20,766	62,244
0,500	0,213	0,837	1,368	0,276	0,030	0,150	1,569	121,450	20,323	33,776	28,257	25,429	20,839	20,830	21,062	20,768	62,375
0,834	0,212	0,826	1,378	0,273	0,018	0,160	1,568	121,650	20,288	33,823	27,188	24,605	20,839	20,833	21,068	20,770	62,427
1,311	0,217	0,820	1,389	0,273	0,023	0,164	1,565	121,995	20,252	33,750	26,323	21,366	20,841	20,829	21,067	20,770	62,698
1,575	0,220	0,830	1,381	0,277	0,018	0,157	1,564	122,157	20,178	33,925	28,967	-23,513	20,829	20,822	21,068	20,768	62,802
1,913	0,218	0,817	1,382	0,276	0,022	0,170	1,563	122,281	20,174	34,028	21,881	18,633	20,833	20,824	21,070	20,771	62,871
2,234	0,217	0,814	1,390	0,277	0,018	0,172	1,563	122,483	20,198	33,912	23,724	21,377	20,835	20,826	21,064	20,771	62,935
2,536	0,219	0,808	1,369	0,274	0,017	0,176	1,562	122,616	20,228	34,022	27,937	24,254	20,833	20,830	21,068	20,773	63,102
2,833	0,221	0,824	1,389	0,273	0,013	0,160	1,560	122,778	20,201	33,972	24,044	22,394	20,835	20,820	21,074	20,770	63,223
3,167	0,222	0,841	1,386	0,274	0,016	0,147	1,558	122,996	20,218	34,042	26,919	25,330	20,832	20,834	21,058	20,773	63,364
3,500	0,219	0,816	1,381	0,276	0,020	0,169	1,557	123,113	20,254	34,011	28,433	25,440	20,828	20,833	21,064	20,772	63,345
3,833	0,217	0,810	1,380	0,276	0,017	0,173	1,557	123,245	20,241	34,051	27,553	24,547	20,839	20,831	21,068	20,774	63,497
4,167	0,214	0,816	1,375	0,275	0,030	0,169	1,556	123,367	20,207	34,049	26,740	25,556	20,820	20,824	21,066	20,774	63,618
4,500	0,212	0,807	1,386	0,275	0,017	0,176	1,554	123,497	20,192	33,993	25,610	26,680	20,826	20,837	21,077	20,776	63,670
4,834	0,212	0,802	1,381	0,274	0,016	0,181	1,554	123,645	20,219	33,997	30,013	25,406	20,826	20,830	21,064	20,778	63,638
5,167	0,211	0,774	1,383	0,276	0,022	0,207	1,552	123,723	20,177	33,910	23,528	7,529	20,841	20,838	21,075	20,779	63,730
5,500	0,213	0,777	1,377	0,277	0,023	0,201	1,551	123,832	20,259	34,170	27,119	15,790	20,839	20,833	21,070	20,779	63,881
5,834	0,213	0,805	1,396	0,275	0,019	0,177	1,550	123,993	20,240	34,143	25,457	17,674	20,842	20,845	21,072	20,784	63,920
6,167	0,213	0,825	1,373	0,275	0,021	0,161	1,548	124,139	20,221	34,021	26,933	20,794	20,836	20,835	21,069	20,779	63,949
6,500	0,215	0,809	1,378	0,272	0,021	0,175	1,548	124,256	20,184	34,206	29,584	25,739	20,832	20,843	21,082	20,783	64,005
6,834	0,216	0,822	1,380	0,275	0,021	0,162	1,546	124,437	20,215	34,300	27,148	22,900	20,840	20,843	21,069	20,783	64,018
7,167	0,217	0,848	1,367	0,275	0,014	0,140	1,546	124,532	20,232	34,343	25,801	23,648	20,835	20,844	21,073	20,786	64,005
7,500	0,215	0,860	1,391	0,275	0,012	0,131	1,544	124,669	20,259	34,260	25,669	24,903	20,831	20,840	21,067	20,785	64,011
7,833	0,216	0,854	1,390	0,276	0,018	0,135	1,542	124,805	20,265	34,266	28,461	26,802	20,846	20,855	21,067	20,787	64,086
8,167	0,216	0,837	1,380	0,280	0,016	0,151	1,541	124,865	20,235	34,273	26,932	23,901	20,828	20,842	21,068	20,780	64,214
8,500	0,218	0,827	1,373	0,275	0,019	0,159	1,540	124,950	20,235	34,337	26,936	26,322	20,827	20,845	21,069	20,780	64,260

Pellematic 56_cat IV_run 1_191209_2 underlag till rådata PDF.DAT

Category: IV

	1103	1108	1109	130	230	101	102	1	2	3	6	7	8	11	
Mättid	T3 inlet load side	T2 inlet boiler	T1 outlet boiler	Flow load side	Flow boiler side	Heat output load side	Heat output boiler	CO chimney	CO2 chimney	O2 chimney	Pstat	Pdyn	Tunnel velocity	Våg	Tidpunkt
Minuter	°C	°C	°C	m³/h	m³/h	W	W	ppm	%	%	Pa	Pa	m/s	kg	Klockan
0,167	44,483	53,099	69,214	14,778	15,918	300389,216	293591,557	33,733	15,367	4,837	10,871	54,900	9,566	973,067	2019-12-09 13:04
0,500	44,328	53,128	69,203	2,323	2,558	48239,618	47148,252	35,278	16,095	4,496	11,039	54,797	9,557	973,066	2019-12-09 13:04
0,834	44,397	53,119	69,504	2,321	2,555	48134,816	47999,418	31,954	15,620	4,808	10,918	55,113	9,584	972,974	2019-12-09 13:05
1,311	44,438	53,221	69,778	2,319	2,559	48712,622	48585,304	45,836	15,485	4,919	10,901	55,422	9,611	972,754	2019-12-09 13:05
1,575	44,367	53,305	69,898	2,321	2,550	49236,648	48522,355	54,435	15,773	4,709	11,097	55,179	9,590	972,754	2019-12-09 13:05
1,913	44,374	53,325	69,985	2,321	2,558	49398,152	48873,157	45,718	15,532	5,099	11,038	55,434	9,612	972,660	2019-12-09 13:06
2,234	44,494	53,366	70,115	2,324	2,555	49298,527	49065,784	45,644	15,231	5,165	11,097	55,571	9,624	972,660	2019-12-09 13:06
2,536	44,798	53,481	70,251	2,320	2,554	48856,917	49105,971	51,986	15,160	5,278	10,976	54,954	9,570	972,565	2019-12-09 13:06
2,833	44,901	53,646	70,322	2,323	2,556	48952,116	48870,891	54,764	15,637	4,804	10,913	55,625	9,629	972,474	2019-12-09 13:07
3,167	44,792	53,790	70,313	2,324	2,556	49645,573	48425,664	55,701	15,967	4,425	10,943	55,356	9,605	972,349	2019-12-09 13:07
3,500	44,800	53,780	70,561	2,326	2,560	49629,819	49241,258	52,795	15,426	5,069	11,021	55,354	9,605	972,348	2019-12-09 13:07
3,833	44,901	53,806	70,747	2,323	2,556	49702,818	49653,118	42,003	15,187	5,200	11,054	55,075	9,581	972,349	2019-12-09 13:08
4,167	44,832	53,902	70,834	2,322	2,560	50181,637	49694,661	36,565	15,103	5,057	10,992	54,805	9,557	972,254	2019-12-09 13:08
4,500	44,484	53,904	70,892	2,322	2,558	51246,055	49822,249	30,512	15,079	5,291	10,981	55,811	9,645	972,066	2019-12-09 13:08
4,834	44,542	53,771	71,060	2,320	2,558	50977,810	50708,135	34,037	15,216	5,437	10,948	55,125	9,585	972,066	2019-12-09 13:09
5,167	44,765	53,796	71,071	2,319	2,555	50585,977	50596,532	28,834	14,099	6,211	11,021	55,340	9,604	971,975	2019-12-09 13:09
5,500	44,853	53,952	71,003	2,320	2,560	50787,944	50042,756	33,806	14,555	6,027	11,060	55,104	9,583	971,848	2019-12-09 13:09
5,834	44,960	54,043	71,111	2,324	2,558	50677,359	50056,211	35,840	15,103	5,315	10,985	55,897	9,652	971,848	2019-12-09 13:10
6,167	44,996	54,125	71,123	2,323	2,563	50649,977	49932,179	37,150	15,743	4,826	11,007	54,868	9,563	971,793	2019-12-09 13:10
6,500	44,961	54,143	71,283	2,324	2,560	50901,407	50292,801	43,518	15,247	5,250	10,897	55,064	9,580	971,754	2019-12-09 13:10
6,834	44,719	54,147	71,143	2,323	2,558	51583,437	49842,563	39,411	15,518	4,873	11,016	55,270	9,598	971,568	2019-12-09 13:11
7,167	44,607	54,035	71,386	2,319	2,558	51753,397	50880,722	35,733	15,955	4,201	11,017	54,776	9,555	971,661	2019-12-09 13:11
7,500	44,687	53,981	71,294	2,322	2,553	51612,155	50669,781	44,274	16,688	3,918	11,016	55,971	9,658	971,476	2019-12-09 13:11
7,833	44,875	54,037	71,507	2,323	2,559	51345,748	51259,549	45,465	16,578	4,055	11,021	55,285	9,599	971,346	2019-12-09 13:12
8,167	44,749	54,154	71,625	2,322	2,557	52005,965	51209,899	39,996	15,607	4,523	11,219	55,323	9,602	971,252	2019-12-09 13:12
8,500	44,642	54,146	71,703	2,324	2,560	52457,904	51530,293	49,024	15,561	4,755	11,012	54,540	9,534	971,251	2019-12-09 13:12

Pellematic 56_cat IV_run 1_191209_2 underlag till rådata PDF.DAT

Category: IV

	301	302	304	305	306	308	317	1311	1312	1313	1314	1315	1316	1317	1318	1101	1102
Mättid	CO chimney	CO2 chimney	Pdyn	Pstat	Static pressure chimney	O2 chimney	Våg	Flue gas temp	Ambient	Flue gas at pitot	filter temp 1	filter temp 2	gas meter temp 1	gas meter temp 2	gasmeter temp ambient		T4 outlet load side
Minuter	VDC	VDC	VDC	VDC	VDC	VDC	VDC	°C	°C	°C	°C	°C	°C	°C	°C	°C	°C
8,833	0,215	0,823	1,375	0,280	0,022	0,165	1,539	125,027	20,225	34,240	121,530	13,551	20,825	20,842	21,073	20,783	64,324
9,167	0,215	0,798	1,378	0,278	0,034	0,184	1,539	125,106	20,196	34,254	30,183	89,023	20,827	20,849	21,073	20,782	64,393
9,500	0,219	0,820	1,385	0,278	0,019	0,163	1,536	125,244	20,236	34,445	9,862	0,802	20,827	20,852	21,077	20,782	64,518
9,833	0,221	0,839	1,380	0,277	0,020	0,150	1,537	125,319	20,198	34,406	19,475	19,258	20,828	20,848	21,075	20,784	64,539
10,167	0,214	0,805	1,383	0,281	0,019	0,178	1,535	125,387	20,226	34,449	23,031	20,864	20,836	20,849	21,075	20,785	64,569
10,500	0,214	0,804	1,380	0,278	0,034	0,180	1,533	125,437	20,259	34,431	26,937	24,823	20,829	20,851	21,072	20,785	64,547
10,834	0,216	0,818	1,374	0,278	0,020	0,167	1,532	125,462	20,249	34,451	24,690	24,178	20,833	20,849	21,074	20,784	64,561
11,167	0,215	0,813	1,371	0,276	0,020	0,170	1,532	125,506	20,236	34,425	26,257	26,063	20,834	20,846	21,075	20,786	64,615
11,500	0,214	0,820	1,372	0,278	0,026	0,164	1,531	125,566	20,227	34,464	27,344	27,213	20,842	20,867	21,075	20,790	64,699
11,834	0,214	0,826	1,389	0,275	0,024	0,160	1,530	125,674	20,170	34,410	26,105	25,893	20,828	20,844	21,077	20,785	64,765
12,167	0,218	0,838	1,381	0,278	0,020	0,148	1,528	125,788	20,221	34,486	26,821	26,789	20,832	20,848	21,078	20,788	64,681
12,500	0,216	0,845	1,384	0,277	0,019	0,143	1,528	125,863	20,224	34,497	24,134	22,767	20,831	20,857	21,081	20,790	64,682
12,834	0,216	0,816	1,379	0,279	0,019	0,169	1,526	125,873	20,235	34,404	25,385	22,964	20,829	20,846	21,077	20,790	64,712
13,167	0,217	0,821	1,377	0,276	0,012	0,165	1,525	125,927	20,252	34,464	27,748	24,382	20,831	20,855	21,083	20,790	64,790
13,500	0,217	0,825	1,371	0,278	0,023	0,160	1,523	126,013	20,229	34,466	28,275	28,295	20,839	20,856	21,074	20,791	64,811
13,833	0,214	0,817	1,391	0,276	0,013	0,169	1,523	126,038	20,212	34,367	26,018	25,467	20,834	20,854	21,074	20,790	64,854
14,167	0,211	0,795	1,378	0,278	0,018	0,188	1,521	126,056	20,231	34,430	26,799	26,836	20,826	20,857	21,081	20,788	64,811
14,500	0,211	0,793	1,375	0,278	0,017	0,188	1,521	126,038	20,228	34,462	26,195	26,073	20,836	20,859	21,081	20,790	64,850
14,833	0,213	0,781	1,384	0,280	0,017	0,198	1,519	126,116	20,264	34,390	24,259	25,733	20,833	20,855	21,076	20,793	64,805
15,167	0,219	0,812	1,375	0,280	0,019	0,172	1,519	126,187	20,263	34,493	26,657	25,194	20,830	20,867	21,082	20,793	64,889
15,500	0,218	0,820	1,377	0,278	0,017	0,164	1,517	126,255	20,249	34,568	26,094	24,624	20,833	20,854	21,082	20,792	64,812
15,833	0,218	0,819	1,380	0,278	0,016	0,166	1,517	126,326	20,274	34,558	28,318	25,788	20,835	20,852	21,088	20,794	64,735
16,167	0,217	0,807	1,371	0,279	0,025	0,175	1,515	126,379	20,225	34,480	28,868	27,479	20,838	20,850	21,083	20,794	64,722
16,500	0,221	0,821	1,375	0,277	0,014	0,163	1,514	126,399	20,224	34,494	25,023	24,479	20,841	20,866	21,089	20,797	64,818
16,833	0,216	0,802	1,368	0,278	0,020	0,182	1,513	126,393	20,205	34,530	26,132	24,934	20,833	20,859	21,071	20,795	64,880
17,167	0,216	0,791	1,368	0,279	0,018	0,190	1,512	126,421	20,280	34,465	27,271	25,333	20,827	20,870	21,094	20,794	64,913
17,500	0,214	0,807	1,365	0,281	0,020	0,175	1,511	126,431	20,244	34,339	26,154	25,903	20,827	20,859	21,081	20,795	64,865
17,834	0,212	0,797	1,373	0,280	0,023	0,184	1,511	126,467	20,232	34,383	26,609	27,938	20,834	20,859	21,084	20,799	64,843
18,167	0,213	0,802	1,370	0,278	0,017	0,181	1,509	126,497	20,245	34,570	24,713	24,833	20,843	20,871	21,084	20,801	64,872

Pellematic 56_cat IV_run 1_191209_2 underlag till rådata PDF.DAT

Category: IV

	1103	1108	1109	130	230	101	102	1	2	3	6	7	8	11	
Mättid	T3 inlet load side	T2 inlet boiler	T1 outlet boiler	Flow load side	Flow boiler side	Heat output load side	Heat output boiler	CO chimney	CO2 chimney	O2 chimney	Pstat	Pdyn	Tunnel velocity	Våg	Tidpunkt
Minuter	°C	°C	°C	m³/h	m³/h	W	W	ppm	%	%	Pa	Pa	m/s	kg	Klockan
8,833	44,802	54,120	71,848	2,320	2,558	52099,534	51992,420	36,559	15,499	4,955	11,199	55,084	9,582	971,157	2019-12-09 13:13
9,167	45,015	54,236	71,821	2,322	2,560	51766,834	51608,275	45,298	15,163	5,521	11,118	55,328	9,603	971,158	2019-12-09 13:13
9,500	45,069	54,368	71,868	2,323	2,562	51979,186	51395,749	52,675	15,672	4,903	11,136	55,215	9,593	970,972	2019-12-09 13:13
9,833	44,914	54,442	71,949	2,326	2,562	52522,874	51402,573	44,973	15,755	4,493	11,076	55,401	9,609	971,063	2019-12-09 13:14
10,167	44,635	54,362	72,034	2,320	2,558	53214,038	51822,430	41,885	15,015	5,352	11,221	55,253	9,596	970,845	2019-12-09 13:14
10,500	44,577	54,244	72,086	2,322	2,562	53345,903	52403,564	35,970	15,073	5,395	11,124	55,204	9,592	970,751	2019-12-09 13:14
10,834	44,787	54,239	72,057	2,320	2,561	52781,578	52316,477	38,739	15,476	4,997	11,118	54,527	9,533	970,750	2019-12-09 13:15
11,167	44,990	54,338	72,168	2,326	2,562	52520,379	52356,870	34,768	15,168	5,112	11,046	54,977	9,572	970,751	2019-12-09 13:15
11,500	44,834	54,432	72,181	2,322	2,559	53062,694	52063,913	43,688	15,745	4,923	11,135	55,066	9,580	970,657	2019-12-09 13:15
11,834	44,579	54,391	72,295	2,322	2,557	53923,448	52474,402	36,730	15,712	4,785	10,999	55,590	9,626	970,563	2019-12-09 13:16
12,167	44,639	54,303	72,300	2,322	2,561	53538,286	52844,926	47,906	15,858	4,453	11,134	55,034	9,577	970,472	2019-12-09 13:16
12,500	44,666	54,306	72,299	2,320	2,555	53434,256	52694,193	42,007	15,964	4,284	11,096	55,277	9,598	970,471	2019-12-09 13:16
12,834	44,716	54,310	72,289	2,322	2,560	53416,739	52758,896	48,125	15,285	5,058	11,156	55,001	9,574	970,346	2019-12-09 13:17
13,167	44,885	54,370	72,362	2,322	2,556	53171,077	52721,438	47,094	15,751	4,953	11,046	54,933	9,568	970,252	2019-12-09 13:17
13,500	44,923	54,473	72,318	2,327	2,566	53234,631	52481,677	47,301	15,710	4,791	11,111	54,846	9,561	970,157	2019-12-09 13:17
13,833	44,874	54,506	72,294	2,322	2,556	53359,066	52119,987	32,191	15,020	5,073	11,041	55,567	9,623	970,158	2019-12-09 13:18
14,167	44,843	54,464	72,318	2,321	2,556	53318,376	52303,811	30,262	14,977	5,630	11,106	55,210	9,593	970,063	2019-12-09 13:18
14,500	44,878	54,468	72,224	2,321	2,557	53331,164	52040,579	34,037	15,011	5,630	11,134	54,963	9,571	970,063	2019-12-09 13:18
14,833	45,088	54,500	72,342	2,320	2,562	52625,824	52396,142	32,202	14,445	5,930	11,213	55,580	9,625	969,845	2019-12-09 13:19
15,167	44,957	54,596	72,336	2,323	2,556	53265,812	51983,574	45,272	15,095	5,147	11,203	54,752	9,553	969,847	2019-12-09 13:19
15,500	44,450	54,507	72,334	2,319	2,558	54334,821	52274,551	55,819	15,888	4,912	11,134	55,200	9,592	969,752	2019-12-09 13:19
15,833	44,463	54,273	72,236	2,322	2,558	54154,538	52680,265	48,206	15,263	4,988	11,108	55,160	9,588	969,752	2019-12-09 13:20
16,167	44,852	54,272	72,278	2,320	2,564	53040,699	52919,355	44,773	15,297	5,240	11,143	54,558	9,536	969,657	2019-12-09 13:20
16,500	45,085	54,462	72,269	2,320	2,558	52669,751	52221,309	57,699	15,340	4,901	11,091	54,926	9,568	969,565	2019-12-09 13:20
16,833	45,223	54,583	72,305	2,320	2,560	52462,946	52003,884	38,579	14,841	5,448	11,126	54,655	9,544	969,564	2019-12-09 13:21
17,167	45,117	54,684	72,315	2,321	2,558	52848,038	51680,879	44,859	14,828	5,701	11,178	54,743	9,552	969,473	2019-12-09 13:21
17,500	44,824	54,615	72,261	2,319	2,558	53463,565	51734,611	36,129	15,309	5,242	11,223	54,599	9,539	969,348	2019-12-09 13:21
17,834	44,783	54,474	72,414	2,319	2,560	53515,356	52642,707	32,147	14,648	5,519	11,192	54,899	9,565	969,472	2019-12-09 13:22
18,167	44,664	54,452	72,403	2,321	2,561	53962,259	52700,270	37,705	15,271	5,417	11,122	54,747	9,552	969,254	2019-12-09 13:22

Pellematic 56_cat IV_run 1_191209_2 underlag till rådata PDF.DAT

Category: IV

	301	302	304	305	306	308	317	1311	1312	1313	1314	1315	1316	1317	1318	1101	1102
Mättid	CO chimney	CO2 chimney	Pdyn	Pstat	Static pressure chimney	O2 chimney	Våg	Flue gas temp	Ambient	Flue gas at pitot	filter temp 1	filter temp 2	gas meter temp 1	gas meter temp 2	gasmeter temp ambient		T4 outlet load side
Minuter	VDC	VDC	VDC	VDC	VDC	VDC	VDC	°C	°C	°C	°C	°C	°C	°C	°C	°C	°C
18,500	0,216	0,820	1,371	0,278	0,020	0,165	1,508	126,527	20,248	34,564	27,554	25,122	20,828	20,865	21,074	20,795	64,813
18,834	0,217	0,814	1,373	0,279	0,023	0,170	1,507	126,544	20,250	34,479	26,692	25,693	20,831	20,854	21,096	20,802	64,789
19,167	0,214	0,804	1,376	0,278	0,020	0,178	1,506	126,604	20,215	34,528	26,189	26,759	20,829	20,867	21,088	20,798	64,754
19,500	0,217	0,824	1,381	0,281	0,018	0,160	1,505	126,645	20,224	34,639	28,556	25,347	20,840	20,859	21,088	20,803	64,650
19,834	0,219	0,823	1,363	0,275	0,019	0,162	1,504	126,662	20,200	34,530	25,549	23,655	20,842	20,862	21,079	20,801	64,577
20,167	0,212	0,810	1,362	0,279	0,016	0,174	1,502	126,669	20,215	34,430	27,213	24,562	20,839	20,863	21,079	20,802	64,452
20,500	0,215	0,827	1,375	0,274	0,037	0,158	1,502	126,661	20,249	34,443	29,226	27,196	20,831	20,870	21,075	20,799	64,427
20,833	0,216	0,813	1,385	0,275	0,017	0,171	1,501	126,692	20,072	34,641	26,775	25,101	20,833	20,871	21,091	20,803	64,394
21,167	0,217	0,815	1,382	0,276	0,021	0,170	1,499	126,725	20,128	34,728	27,142	26,220	20,827	20,862	21,092	20,801	64,345
21,500	0,222	0,828	1,378	0,279	0,015	0,158	1,499	126,766	20,172	34,599	26,096	25,138	20,825	20,863	21,077	20,798	64,201
21,833	0,215	0,833	1,374	0,279	0,024	0,153	1,498	126,787	20,172	34,637	25,731	25,919	20,835	20,873	21,095	20,803	64,128
22,167	0,214	0,832	1,373	0,276	0,019	0,155	1,497	126,827	20,151	34,685	25,703	26,291	20,835	20,874	21,093	20,803	63,982
22,500	0,217	0,822	1,379	0,277	0,018	0,164	1,496	126,803	20,174	34,621	24,348	24,369	20,829	20,870	21,091	20,800	63,925
22,833	0,214	0,805	1,378	0,278	0,022	0,178	1,496	126,798	20,197	34,628	27,299	26,671	20,828	20,873	21,092	20,801	63,840
23,167	0,213	0,794	1,376	0,282	0,015	0,187	1,494	126,768	20,220	34,555	25,858	25,410	20,825	20,867	21,081	20,800	63,828
23,500	0,216	0,798	1,383	0,280	0,018	0,185	1,492	126,779	20,207	34,494	26,993	27,246	20,822	20,873	21,081	20,800	63,797
23,833	0,215	0,811	1,390	0,279	0,017	0,172	1,492	126,830	20,169	34,633	26,018	25,844	20,842	20,872	21,089	20,803	63,727
24,167	0,217	0,839	1,372	0,277	0,013	0,149	1,491	126,882	20,192	34,634	65,215	10,982	20,842	20,870	21,088	20,804	63,642
24,500	0,217	0,836	1,370	0,275	0,018	0,149	1,489	126,915	20,192	34,639	34,324	26,291	20,828	20,867	21,088	20,801	63,631
24,834	0,216	0,842	1,373	0,275	0,020	0,146	1,489	126,943	20,207	34,594	28,130	26,835	20,839	20,878	21,091	20,803	63,584
25,167	0,214	0,827	1,380	0,276	0,022	0,160	1,489	126,941	20,244	34,677	25,884	24,411	20,839	20,871	21,085	20,803	63,529
25,500	0,214	0,821	1,378	0,278	0,019	0,163	1,488	126,919	20,247	34,585	26,909	26,115	20,839	20,878	21,089	20,802	63,461
25,834	0,213	0,821	1,385	0,279	0,019	0,163	1,486	126,946	20,242	34,650	27,045	25,603	20,845	20,885	21,091	20,804	63,359
26,167	0,215	0,832	1,370	0,277	0,019	0,155	1,485	126,943	20,226	34,639	25,569	25,851	20,833	20,880	21,094	20,802	63,353
26,500	0,215	0,821	1,366	0,280	0,020	0,165	1,484	126,903	20,194	34,566	26,198	25,945	20,831	20,871	21,093	20,804	63,315
26,834	0,214	0,792	1,377	0,278	0,019	0,190	1,483	126,852	20,250	34,523	26,774	24,662	20,831	20,881	21,084	20,802	63,343
27,167	0,214	0,796	1,376	0,280	0,013	0,184	1,481	126,834	20,209	34,545	26,898	25,251	20,832	20,882	21,085	20,805	63,367
27,500	0,213	0,802	1,379	0,279	0,020	0,180	1,481	126,812	20,213	34,597	29,738	28,053	20,832	20,881	21,093	20,805	63,289
27,833	0,216	0,805	1,379	0,281	0,019	0,179	1,479	126,753	20,240	34,584	25,404	25,297	20,843	20,874	21,095	20,805	63,329

Pellematic 56_cat IV_run 1_191209_2 underlag till rådata PDF.DAT

Category: IV

	1103	1108	1109	130	230	101	102	1	2	3	6	7	8	11	
Mättid	T3 inlet load side	T2 inlet boiler	T1 outlet boiler	Flow load side	Flow boiler side	Heat output load side	Heat output boiler	CO chimney	CO2 chimney	O2 chimney	Pstat	Pdyn	Tunnel velocity	Våg	Tidpunkt
Minuter	°C	°C	°C	m³/h	m³/h	W	W	ppm	%	%	Pa	Pa	m/s	kg	Klockan
18,500	44,539	54,387	72,447	2,322	2,558	54153,274	52961,683	45,878	15,820	4,937	11,119	54,942	9,569	969,254	2019-12-09 13:22
18,834	44,321	54,307	72,465	2,317	2,560	54579,618	53290,762	48,468	15,294	5,100	11,166	55,089	9,582	969,160	2019-12-09 13:23
19,167	44,115	54,202	72,335	2,322	2,560	55149,824	53214,988	30,845	14,923	5,349	11,134	55,075	9,581	969,066	2019-12-09 13:23
19,500	43,923	54,053	72,316	2,319	2,560	55310,790	53597,706	56,342	15,736	4,800	11,229	55,291	9,600	969,066	2019-12-09 13:23
19,834	43,667	53,920	72,148	2,317	2,562	55763,545	53538,717	42,888	15,601	4,868	10,993	54,625	9,542	968,974	2019-12-09 13:24
20,167	43,590	53,767	72,263	2,319	2,562	55689,584	54326,827	34,751	15,173	5,210	11,179	54,423	9,524	968,848	2019-12-09 13:24
20,500	43,596	53,688	72,295	2,317	2,553	55562,404	54476,312	41,820	15,673	4,734	10,975	55,137	9,586	968,848	2019-12-09 13:24
20,833	43,396	53,650	72,270	2,318	2,558	56021,777	54617,556	42,397	15,249	5,133	11,019	55,430	9,612	968,848	2019-12-09 13:25
21,167	43,159	53,558	72,167	2,317	2,561	56501,444	54645,967	45,532	15,561	5,094	11,036	55,301	9,600	968,660	2019-12-09 13:25
21,500	42,949	53,394	72,123	2,318	2,558	56708,930	54941,611	55,837	15,829	4,733	11,142	54,865	9,563	968,660	2019-12-09 13:25
21,833	42,739	53,261	71,961	2,320	2,558	57141,420	54854,770	37,147	15,854	4,579	11,159	55,010	9,575	968,566	2019-12-09 13:26
22,167	42,627	53,075	72,024	2,319	2,556	57012,699	55556,339	42,262	15,625	4,638	11,053	55,039	9,578	968,566	2019-12-09 13:26
22,500	42,633	52,989	71,837	2,314	2,555	56735,759	55226,085	45,697	15,549	4,918	11,072	55,116	9,584	968,475	2019-12-09 13:26
22,833	42,690	52,965	71,946	2,316	2,556	56392,828	55656,487	32,279	15,197	5,332	11,138	55,140	9,586	968,566	2019-12-09 13:27
23,167	42,673	52,959	71,790	2,317	2,556	56432,812	55203,473	35,171	14,505	5,618	11,296	54,918	9,567	968,349	2019-12-09 13:27
23,500	42,642	52,926	71,638	2,317	2,553	56437,672	54798,771	45,801	14,974	5,540	11,188	55,236	9,595	968,254	2019-12-09 13:27
23,833	42,733	52,910	71,518	2,317	2,554	55993,084	54503,197	41,843	15,767	5,150	11,160	55,804	9,644	968,255	2019-12-09 13:28
24,167	42,775	52,907	71,748	2,318	2,559	55686,319	55306,670	43,845	15,989	4,457	11,062	55,024	9,576	968,160	2019-12-09 13:28
24,500	42,647	52,910	71,491	2,319	2,555	56018,754	54451,087	41,547	15,732	4,470	11,011	54,848	9,561	968,067	2019-12-09 13:28
24,834	42,597	52,844	71,383	2,316	2,558	55951,894	54397,515	38,815	16,100	4,372	10,982	55,055	9,579	968,067	2019-12-09 13:29
25,167	42,581	52,790	71,299	2,316	2,556	55856,851	54273,308	43,191	15,627	4,790	11,035	55,477	9,616	968,067	2019-12-09 13:29
25,500	42,480	52,747	71,276	2,319	2,554	56015,903	54289,043	36,218	15,686	4,881	11,105	55,159	9,588	967,975	2019-12-09 13:29
25,834	42,416	52,659	71,336	2,317	2,556	55882,384	54765,893	36,590	15,355	4,882	11,172	55,362	9,606	967,849	2019-12-09 13:30
26,167	42,349	52,618	71,208	2,317	2,558	56041,989	54559,759	40,829	15,678	4,648	11,066	54,569	9,537	967,849	2019-12-09 13:30
26,500	42,527	52,580	71,187	2,317	2,553	55463,836	54484,591	39,881	15,551	4,963	11,205	54,803	9,557	967,755	2019-12-09 13:30
26,834	42,629	52,653	71,324	2,314	2,556	55191,479	54752,065	41,639	14,773	5,703	11,108	55,094	9,582	967,662	2019-12-09 13:31
27,167	42,650	52,712	71,076	2,316	2,552	55232,363	53764,820	38,302	14,812	5,508	11,193	54,837	9,560	967,568	2019-12-09 13:31
27,500	42,895	52,726	71,111	2,319	2,559	54440,709	53962,272	37,024	15,021	5,388	11,151	54,875	9,563	967,568	2019-12-09 13:31
27,833	43,121	52,828	71,027	2,317	2,556	53904,373	53351,863	46,035	15,030	5,374	11,230	55,181	9,590	967,349	2019-12-09 13:32

Pellematic 56_cat IV_run 1_191209_2 underlag till rådata PDF.DAT

Category: IV

	301	302	304	305	306	308	317	1311	1312	1313	1314	1315	1316	1317	1318	1101	1102
Mättid	CO chimney	CO2 chimney	Pdyn	Pstat	Static pressure chimney	O2 chimney	Våg	Flue gas temp	Ambient	Flue gas at pitot	filter temp 1	filter temp 2	gas meter temp 1	gas meter temp 2	gasmeter temp ambient		T4 outlet load side
Minuter	VDC	VDC	VDC	VDC	VDC	VDC	VDC	°C	°C	°C	°C	°C	°C	°C	°C	°C	°C
28,167	0,218	0,789	1,375	0,280	0,021	0,191	1,479	126,734	20,237	34,558	26,654	25,411	20,833	20,894	21,085	20,805	63,374
28,500	0,216	0,789	1,376	0,281	0,016	0,191	1,478	126,674	20,255	34,551	24,368	24,768	20,841	20,869	21,084	20,803	63,284
28,833	0,214	0,791	1,377	0,279	0,014	0,190	1,478	126,638	20,226	34,519	26,886	25,561	20,833	20,888	21,091	20,803	63,258
29,167	0,212	0,799	1,382	0,279	0,015	0,183	1,475	126,636	20,175	34,576	25,087	23,467	20,835	20,878	21,089	20,803	63,235
29,500	0,214	0,814	1,379	0,279	0,019	0,169	1,474	126,647	20,169	34,509	26,916	25,819	20,831	20,866	21,089	20,800	63,300
29,833	0,217	0,815	1,368	0,277	0,019	0,169	1,474	126,648	20,145	34,529	26,759	25,052	20,842	20,876	21,084	20,803	63,295
30,167	0,215	0,822	1,370	0,277	0,017	0,163	1,474	126,670	20,122	34,630	25,457	25,795	20,830	20,890	21,093	20,803	63,298
30,500	0,218	0,826	1,371	0,281	0,019	0,161	1,472	126,676	20,160	34,617	26,676	26,598	20,837	20,890	21,099	20,806	63,303
30,833	0,213	0,796	1,383	0,278	0,020	0,187	1,470	126,661	20,179	34,662	26,733	25,080	20,841	20,887	21,089	20,804	63,274
31,167	0,211	0,790	1,389	0,279	0,017	0,189	1,470	126,662	20,176	34,456	25,331	24,657	20,834	20,884	21,097	20,805	63,167
31,500	0,216	0,810	1,379	0,276	0,018	0,172	1,469	126,644	20,221	34,585	27,679	27,292	20,834	20,889	21,090	20,807	63,150
31,834	0,226	0,820	1,367	0,277	0,020	0,165	1,467	126,613	20,202	34,642	25,063	24,000	20,835	20,883	21,087	20,807	63,104
32,167	0,220	0,810	1,374	0,280	0,018	0,173	1,466	126,620	20,200	34,670	26,807	24,781	20,835	20,882	21,097	20,808	63,012
32,500	0,215	0,826	1,380	0,278	0,020	0,158	1,465	126,669	20,219	34,682	27,976	24,899	20,833	20,894	21,086	20,809	63,016
32,834	0,215	0,832	1,376	0,277	0,020	0,153	1,464	126,680	20,230	34,688	26,851	25,470	20,839	20,888	21,087	20,809	62,980
33,167	0,218	0,854	1,374	0,280	0,016	0,136	1,464	126,716	20,172	34,706	26,586	24,488	20,833	20,880	21,100	20,808	62,930
33,500	0,216	0,816	1,382	0,278	0,016	0,169	1,462	126,726	20,198	34,546	26,450	25,155	20,833	20,890	21,094	20,811	62,959
33,834	0,215	0,818	1,373	0,278	0,019	0,167	1,462	126,705	20,172	34,551	27,243	25,511	20,834	20,884	21,087	20,808	62,910
34,167	0,215	0,808	1,382	0,278	0,020	0,174	1,460	126,746	20,092	34,628	27,287	27,131	20,837	20,892	21,103	20,813	62,933
34,500	0,216	0,818	1,384	0,278	0,022	0,167	1,460	126,748	20,151	34,619	26,215	25,726	20,834	20,896	21,089	20,810	62,919
34,833	0,212	0,801	1,385	0,280	0,018	0,182	1,459	126,738	20,168	34,583	26,358	25,640	20,831	20,882	21,092	20,809	62,862
35,167	0,212	0,783	1,384	0,279	0,013	0,197	1,457	126,667	20,236	34,631	25,432	23,228	20,829	20,887	21,086	20,810	62,783
35,500	0,216	0,807	1,383	0,278	0,016	0,174	1,456	126,677	20,240	34,756	25,472	23,085	20,827	20,895	21,088	20,813	62,754
35,833	0,216	0,823	1,379	0,277	0,016	0,163	1,456	126,658	20,249	34,719	27,521	26,231	20,837	20,896	21,087	20,810	62,703
36,167	0,213	0,810	1,382	0,278	0,022	0,173	1,454	126,647	20,244	34,660	24,437	26,097	20,838	20,881	21,089	20,812	62,687
36,500	0,214	0,818	1,384	0,277	0,018	0,166	1,453	126,615	20,257	34,706	26,869	27,067	20,826	20,894	21,086	20,811	62,603
36,833	0,217	0,829	1,368	0,278	0,017	0,155	1,452	126,684	20,241	34,598	25,184	26,447	20,830	20,885	21,095	20,811	62,609
37,167	0,228	0,860	1,372	0,276	0,017	0,130	1,451	126,732	20,272	34,756	25,764	24,975	20,851	20,904	21,093	20,820	62,579
37,500	0,221	0,855	1,379	0,278	0,014	0,134	1,450	126,720	20,232	34,669	24,684	25,225	20,840	20,885	21,090	20,814	62,626

Pellematic 56_cat IV_run 1_191209_2 underlag till rådata PDF.DAT

Category: IV

	1103	1108	1109	130	230	101	102	1	2	3	6	7	8	11	
Mättid	T3 inlet load side	T2 inlet boiler	T1 outlet boiler	Flow load side	Flow boiler side	Heat output load side	Heat output boiler	CO chimney	CO2 chimney	O2 chimney	Pstat	Pdyn	Tunnel velocity	Våg	Tidpunkt
Minuter	°C	°C	°C	m³/h	m³/h	W	W	ppm	%	%	Pa	Pa	m/s	kg	Klockan
28,167	42,981	52,940	71,038	2,317	2,560	54400,424	53143,010	48,049	14,995	5,733	11,209	55,061	9,580	967,348	2019-12-09 13:32
28,500	42,910	52,874	70,953	2,316	2,554	54314,281	52966,608	39,888	14,637	5,734	11,229	55,253	9,596	967,349	2019-12-09 13:32
28,833	43,118	52,833	70,810	2,320	2,560	53793,420	52789,101	38,311	14,577	5,710	11,155	55,059	9,579	967,348	2019-12-09 13:33
29,167	43,242	52,898	71,017	2,314	2,555	53256,273	53088,352	36,803	15,357	5,493	11,151	55,251	9,596	967,160	2019-12-09 13:33
29,500	43,205	52,974	70,923	2,319	2,559	53651,141	52689,161	38,627	15,494	5,077	11,145	54,842	9,561	967,065	2019-12-09 13:33
29,833	43,240	52,996	70,875	2,316	2,555	53459,310	52394,390	45,140	15,114	5,059	11,090	54,634	9,542	967,160	2019-12-09 13:34
30,167	43,203	52,985	70,955	2,317	2,558	53606,054	52729,004	40,523	15,485	4,880	11,099	54,952	9,570	967,065	2019-12-09 13:34
30,500	43,031	52,973	70,975	2,314	2,558	54005,384	52816,130	51,497	15,771	4,815	11,234	54,524	9,533	966,973	2019-12-09 13:34
30,833	42,857	52,902	70,837	2,318	2,558	54478,540	52627,624	34,647	14,742	5,620	11,131	55,260	9,597	966,847	2019-12-09 13:35
31,167	42,774	52,794	70,858	2,316	2,553	54362,349	52892,180	27,572	14,839	5,679	11,153	55,796	9,643	966,848	2019-12-09 13:35
31,500	42,659	52,704	70,870	2,316	2,556	54631,655	53265,748	44,524	15,285	5,161	11,021	54,851	9,561	966,847	2019-12-09 13:35
31,834	42,556	52,631	70,771	2,317	2,554	54823,544	53152,096	74,952	15,402	4,957	11,065	54,829	9,559	966,658	2019-12-09 13:36
32,167	42,482	52,566	70,767	2,319	2,554	54814,153	53323,136	48,766	15,532	5,182	11,182	55,031	9,577	966,565	2019-12-09 13:36
32,500	42,437	52,505	70,887	2,317	2,555	54914,197	53873,960	39,139	15,601	4,751	11,130	55,044	9,578	966,564	2019-12-09 13:36
32,834	42,404	52,456	70,620	2,319	2,553	54940,258	53185,170	39,710	15,655	4,582	11,066	54,783	9,555	966,473	2019-12-09 13:37
33,167	42,388	52,421	70,872	2,317	2,559	54808,222	54165,824	54,674	16,368	4,068	11,188	55,334	9,603	966,473	2019-12-09 13:37
33,500	42,391	52,434	70,655	2,317	2,556	54861,128	53419,304	40,754	15,270	5,066	11,119	54,874	9,563	966,347	2019-12-09 13:37
33,834	42,378	52,420	70,839	2,317	2,556	54771,848	54013,273	36,473	15,261	5,010	11,101	54,997	9,574	966,347	2019-12-09 13:38
34,167	42,327	52,413	70,736	2,316	2,553	54949,730	53661,794	39,689	15,076	5,223	11,102	55,261	9,597	966,252	2019-12-09 13:38
34,500	42,261	52,377	70,605	2,313	2,554	55014,184	53408,256	43,995	15,543	5,014	11,128	55,464	9,615	966,234	2019-12-09 13:38
34,833	42,195	52,339	70,534	2,319	2,554	55186,595	53317,525	31,688	15,054	5,456	11,184	55,565	9,623	966,158	2019-12-09 13:39
35,167	42,163	52,277	70,566	2,314	2,555	54951,562	53603,851	36,962	14,447	5,913	11,154	55,332	9,603	966,065	2019-12-09 13:39
35,500	42,145	52,223	70,563	2,314	2,551	54923,920	53670,364	45,756	15,326	5,234	11,133	55,132	9,586	965,973	2019-12-09 13:39
35,833	42,123	52,201	70,529	2,313	2,556	54808,741	53753,753	40,993	15,584	4,905	11,086	55,004	9,575	965,972	2019-12-09 13:40
36,167	42,103	52,186	70,385	2,317	2,558	54924,261	53410,993	33,022	15,503	5,189	11,109	55,304	9,601	965,846	2019-12-09 13:40
36,500	42,095	52,158	70,373	2,317	2,553	54727,374	53358,227	37,935	15,341	4,980	11,083	55,169	9,589	965,753	2019-12-09 13:40
36,833	42,101	52,118	70,436	2,319	2,554	54763,874	53682,156	43,519	15,677	4,657	11,103	54,757	9,553	965,753	2019-12-09 13:41
37,167	42,123	52,114	70,417	2,317	2,552	54587,518	53593,117	95,959	16,915	3,911	11,025	54,757	9,553	965,658	2019-12-09 13:41
37,500	42,114	52,145	70,385	2,317	2,553	54733,710	53415,375	48,366	16,345	4,019	11,110	55,066	9,580	965,565	2019-12-09 13:41

Pellematic 56_cat IV_run 1_191209_2 underlag till rådata PDF.DAT

Category: IV

	301	302	304	305	306	308	317	1311	1312	1313	1314	1315	1316	1317	1318	1101	1102
Mättid	CO chimney	CO2 chimney	Pdyn	Pstat	Static pressure chimney	O2 chimney	Våg	Flue gas temp	Ambient	Flue gas at pitot	filter temp 1	filter temp 2	gas meter temp 1	gas meter temp 2	gasmeter temp ambient		T4 outlet load side
Minuter	VDC	VDC	VDC	VDC	VDC	VDC	VDC	°C	°C	°C	°C	°C	°C	°C	°C	°C	°C
37,833	0,215	0,819	1,381	0,278	0,015	0,167	1,449	126,677	20,238	34,571	24,591	22,255	20,839	20,894	21,092	20,815	62,619
38,167	0,213	0,796	1,376	0,280	0,019	0,185	1,448	126,650	20,260	34,640	26,423	24,692	20,841	20,884	21,092	20,814	62,645
38,500	0,214	0,813	1,373	0,280	0,034	0,172	1,447	126,639	20,278	34,768	27,695	26,555	20,838	20,892	21,090	20,817	62,616
38,834	0,214	0,788	1,367	0,276	0,020	0,193	1,446	126,609	20,277	34,604	27,852	25,994	20,843	20,894	21,086	20,813	62,687
39,167	0,215	0,801	1,370	0,278	0,017	0,180	1,444	126,606	20,276	34,789	25,324	24,291	20,828	20,892	21,087	20,815	62,639
39,500	0,218	0,834	1,374	0,278	0,021	0,151	1,443	126,681	20,279	34,899	25,397	25,339	20,836	20,898	21,089	20,816	62,606
39,834	0,222	0,859	1,370	0,277	0,017	0,131	1,443	126,703	20,270	34,841	26,117	25,780	20,838	20,896	21,090	20,822	62,530
40,167	0,221	0,843	1,375	0,277	0,019	0,145	1,441	126,704	20,234	34,806	25,975	25,474	20,841	20,895	21,083	20,819	62,530
40,500	0,223	0,843	1,368	0,275	0,019	0,144	1,440	126,721	20,128	34,879	25,290	26,291	20,847	20,898	21,086	20,821	62,515
40,834	0,225	0,823	1,372	0,280	0,024	0,163	1,440	126,679	20,088	34,841	28,216	25,733	20,836	20,898	21,090	20,817	62,498
41,167	0,218	0,818	1,361	0,281	0,017	0,167	1,438	126,671	20,054	34,782	24,582	23,014	20,842	20,889	21,086	20,824	62,518
41,500	0,214	0,797	1,358	0,275	0,016	0,186	1,437	126,638	20,124	34,791	25,463	26,295	20,848	20,904	21,094	20,825	62,498
41,833	0,214	0,803	1,366	0,276	0,021	0,179	1,437	126,615	20,099	34,612	25,496	25,454	20,848	20,898	21,092	20,823	62,413
42,167	0,218	0,835	1,383	0,274	0,012	0,151	1,436	126,655	20,123	34,656	24,847	25,170	20,842	20,908	21,093	20,823	62,457
42,500	0,216	0,823	1,378	0,280	0,018	0,162	1,435	126,646	20,002	34,620	27,073	27,331	20,845	20,893	21,084	20,824	62,424
42,833	0,217	0,832	1,373	0,279	0,024	0,155	1,433	126,652	19,945	34,644	26,278	25,369	20,846	20,891	21,087	20,825	62,406
43,167	0,214	0,818	1,375	0,276	0,016	0,166	1,432	126,660	19,960	34,541	24,580	23,209	20,844	20,902	21,092	20,825	62,322
43,500	0,214	0,815	1,370	0,278	0,015	0,168	1,432	126,679	20,018	34,604	26,784	27,037	20,842	20,891	21,079	20,823	62,354
43,833	0,217	0,850	1,381	0,279	0,014	0,140	1,430	126,699	19,873	34,604	25,363	24,623	20,846	20,893	21,083	20,824	62,365
44,167	0,217	0,825	1,382	0,283	0,019	0,160	1,430	126,688	19,897	34,527	27,085	26,032	20,834	20,891	21,077	20,820	62,296
44,500	0,217	0,816	1,379	0,280	0,016	0,169	1,427	126,681	19,909	34,551	25,897	25,029	20,838	20,891	21,069	20,819	62,291
44,834	0,217	0,821	1,385	0,280	0,018	0,162	1,427	126,696	19,922	34,649	25,955	23,858	20,828	20,883	21,065	20,815	62,268
45,167	0,219	0,824	1,372	0,283	0,016	0,162	1,426	126,682	19,901	34,589	27,245	25,221	20,823	20,883	21,065	20,815	62,204
45,500	0,216	0,813	1,375	0,278	0,017	0,170	1,424	126,673	19,977	34,523	25,733	23,732	20,825	20,874	21,067	20,812	62,187
45,834	0,221	0,815	1,371	0,279	0,020	0,168	1,424	126,682	19,992	34,607	25,529	23,883	20,830	20,878	21,066	20,812	62,220
46,167	0,219	0,816	1,379	0,279	0,018	0,167	1,423	126,692	20,040	34,591	26,635	24,313	20,818	20,880	21,058	20,811	62,255
46,500	0,220	0,826	1,383	0,275	0,017	0,159	1,422	126,700	20,017	34,601	27,109	25,735	20,817	20,882	21,046	20,809	62,240
46,834	0,218	0,827	1,373	0,279	0,015	0,159	1,420	126,704	20,082	34,560	26,076	25,214	20,818	20,875	21,043	20,808	62,248
47,167	0,216	0,819	1,367	0,277	0,020	0,166	1,419	126,695	20,074	34,431	44,495	42,680	20,813	20,875	21,054	20,809	62,281

Pellematic 56_cat IV_run 1_191209_2 underlag till rådata PDF.DAT

Category: IV

	1103	1108	1109	130	230	101	102	1	2	3	6	7	8	11	
Mättid	T3 inlet load side	T2 inlet boiler	T1 outlet boiler	Flow load side	Flow boiler side	Heat output load side	Heat output boiler	CO chimney	CO2 chimney	O2 chimney	Pstat	Pdyn	Tunnel velocity	Våg	Tidpunkt
Minuter	°C	°C	°C	m³/h	m³/h	W	W	ppm	%	%	Pa	Pa	m/s	kg	Klockan
37,833	42,054	52,146	70,584	2,313	2,554	54771,784	54036,849	35,203	15,114	5,000	11,105	55,252	9,596	965,565	2019-12-09 13:42
38,167	42,042	52,113	70,365	2,314	2,549	54907,376	53371,011	36,131	14,807	5,551	11,206	55,120	9,585	965,473	2019-12-09 13:42
38,500	42,046	52,090	70,483	2,314	2,553	54822,766	53873,916	36,805	15,305	5,149	11,189	54,555	9,535	965,350	2019-12-09 13:42
38,834	41,987	52,129	70,466	2,312	2,551	55117,963	53663,899	39,691	14,699	5,787	11,040	54,793	9,556	965,350	2019-12-09 13:43
39,167	41,917	52,107	70,618	2,316	2,552	55259,905	54195,988	39,575	15,246	5,404	11,117	54,651	9,544	965,255	2019-12-09 13:43
39,500	41,917	52,041	70,474	2,317	2,550	55191,774	53925,661	49,115	15,864	4,516	11,103	54,856	9,562	965,161	2019-12-09 13:43
39,834	41,905	51,999	70,365	2,318	2,551	55046,266	53752,010	66,431	16,514	3,934	11,079	54,634	9,542	965,161	2019-12-09 13:44
40,167	41,898	51,997	70,341	2,317	2,556	55061,257	53805,016	53,230	16,178	4,343	11,067	54,981	9,573	965,067	2019-12-09 13:44
40,500	41,895	51,996	70,464	2,313	2,553	54923,861	54090,422	57,220	16,031	4,324	11,001	54,676	9,546	965,067	2019-12-09 13:44
40,834	41,813	51,973	70,400	2,319	2,551	55234,504	53929,833	63,190	15,174	4,885	11,181	54,795	9,556	964,975	2019-12-09 13:45
41,167	41,768	51,924	70,332	2,314	2,551	55305,354	53875,395	45,119	15,498	5,019	11,259	54,312	9,514	964,849	2019-12-09 13:45
41,500	41,798	51,918	70,199	2,316	2,549	55199,207	53466,885	36,721	15,039	5,577	11,007	54,448	9,526	964,754	2019-12-09 13:45
41,833	41,804	51,907	70,415	2,313	2,549	54903,088	54129,662	38,197	15,238	5,360	11,033	54,676	9,546	964,849	2019-12-09 13:46
42,167	41,834	51,905	70,361	2,313	2,548	54926,946	53954,861	45,965	15,752	4,545	10,949	55,426	9,611	964,745	2019-12-09 13:46
42,500	41,832	51,898	70,277	2,312	2,548	54827,492	53732,826	43,089	15,754	4,855	11,203	55,097	9,583	964,661	2019-12-09 13:46
42,833	41,709	51,911	70,264	2,314	2,552	55150,512	53732,821	49,932	16,031	4,636	11,143	54,764	9,554	964,567	2019-12-09 13:47
43,167	41,648	51,836	70,320	2,316	2,552	55140,699	54124,288	36,969	15,396	4,969	11,043	55,182	9,590	964,475	2019-12-09 13:47
43,500	41,698	51,779	70,333	2,311	2,549	54984,528	54268,412	36,552	15,311	5,031	11,133	54,684	9,547	964,476	2019-12-09 13:47
43,833	41,591	51,819	70,189	2,314	2,551	55369,670	53761,817	46,705	16,234	4,199	11,155	55,205	9,592	964,350	2019-12-09 13:48
44,167	41,620	51,753	70,163	2,316	2,551	55146,612	53883,274	50,990	15,890	4,809	11,306	55,342	9,604	964,350	2019-12-09 13:48
44,500	41,717	51,748	70,218	2,314	2,551	54837,270	54061,141	45,280	15,333	5,066	11,209	55,012	9,575	964,162	2019-12-09 13:48
44,834	41,572	51,789	70,164	2,314	2,553	55165,819	53820,363	43,936	15,581	4,867	11,192	55,442	9,613	964,161	2019-12-09 13:49
45,167	41,541	51,708	70,280	2,314	2,551	55063,148	54358,916	52,666	15,532	4,858	11,311	55,027	9,577	964,067	2019-12-09 13:49
45,500	41,709	51,671	70,003	2,317	2,551	54635,303	53656,361	39,086	15,538	5,111	11,135	54,940	9,569	963,975	2019-12-09 13:49
45,834	41,760	51,760	70,184	2,316	2,553	54567,737	53977,564	57,531	15,327	5,044	11,171	54,942	9,569	963,975	2019-12-09 13:50
46,167	41,811	51,810	70,003	2,313	2,554	54462,361	53313,274	52,119	15,353	5,014	11,163	55,324	9,602	963,850	2019-12-09 13:50
46,500	41,917	51,833	69,982	2,315	2,551	54188,073	53118,925	55,101	15,700	4,774	11,012	55,324	9,602	963,850	2019-12-09 13:50
46,834	42,004	51,874	70,022	2,316	2,551	53991,671	53115,093	48,717	15,870	4,772	11,175	54,955	9,570	963,756	2019-12-09 13:51
47,167	42,051	51,927	70,077	2,317	2,553	53983,319	53154,734	43,696	15,306	4,977	11,091	54,425	9,524	963,662	2019-12-09 13:51

Pellematic 56_cat IV_run 1_191209_2 underlag till rådata PDF.DAT

Category: IV

	301	302	304	305	306	308	317	1311	1312	1313	1314	1315	1316	1317	1318	1101	1102
Mättid	CO chimney	CO2 chimney	Pdyn	Pstat	Static pressure chimney	O2 chimney	Våg	Flue gas temp	Ambient	Flue gas at pitot	filter temp 1	filter temp 2	gas meter temp 1	gas meter temp 2	gasmeter temp ambient		T4 outlet load side
Minuter	VDC	VDC	VDC	VDC	VDC	VDC	VDC	°C	°C	°C	°C	°C	°C	°C	°C	°C	°C
47,500	0,218	0,820	1,379	0,277	0,018	0,163	1,418	126,666	20,030	34,457	15,305	26,381	20,809	20,871	21,057	20,808	62,272
47,833	0,217	0,826	1,377	0,278	0,016	0,159	1,417	126,673	19,900	34,415	23,703	26,103	20,819	20,871	21,047	20,806	62,321
48,167	0,216	0,820	1,376	0,279	0,019	0,164	1,416	126,684	19,936	34,460	24,348	23,322	20,814	20,865	21,047	20,805	62,381
48,500	0,217	0,816	1,381	0,277	0,015	0,169	1,416	126,669	19,872	34,581	22,963	24,940	20,815	20,871	21,049	20,803	62,416
48,833	0,218	0,802	1,374	0,279	0,020	0,180	1,414	126,621	19,926	34,575	24,516	25,447	20,813	20,873	21,036	20,803	62,427
49,167	0,214	0,813	1,376	0,276	0,019	0,171	1,412	126,649	20,003	34,616	25,525	25,448	20,809	20,863	21,044	20,801	62,407
49,500	0,217	0,830	1,380	0,279	0,021	0,156	1,411	126,681	20,036	34,585	31,774	24,322	20,802	20,859	21,042	20,798	62,312
49,833	0,217	0,821	1,384	0,276	0,017	0,164	1,411	126,694	20,009	34,555	26,464	33,154	20,805	20,870	21,032	20,798	62,317
50,167	0,217	0,834	1,376	0,277	0,022	0,152	1,410	126,736	20,042	34,688	26,902	27,872	20,803	20,861	21,024	20,794	62,294
50,500	0,213	0,826	1,383	0,280	0,018	0,160	1,408	126,770	20,038	34,642	24,454	24,464	20,809	20,873	21,027	20,798	62,308
50,833	0,217	0,838	1,385	0,282	0,017	0,149	1,407	126,818	20,035	34,608	24,884	24,101	20,799	20,870	21,029	20,794	62,321
51,167	0,216	0,827	1,382	0,279	0,018	0,159	1,406	126,828	20,052	34,470	26,917	24,614	20,810	20,872	21,029	20,793	62,097
51,500	0,217	0,824	1,376	0,282	0,016	0,161	1,405	126,853	20,067	34,623	23,997	25,893	20,803	20,874	21,026	20,792	62,218
51,834	0,215	0,824	1,373	0,277	0,018	0,162	1,404	126,886	20,079	34,616	26,279	25,955	20,800	20,878	21,022	20,789	62,606
52,167	0,213	0,817	1,394	0,278	0,021	0,167	1,403	126,911	20,100	34,530	25,670	25,361	20,800	20,862	21,032	20,790	62,694
52,500	0,215	0,830	1,382	0,278	0,022	0,155	1,401	126,929	20,099	34,713	26,311	23,949	20,801	20,866	21,030	20,792	62,691
52,834	0,217	0,838	1,376	0,280	0,014	0,148	1,401	126,964	20,082	34,757	24,846	24,009	20,805	20,876	21,030	20,794	62,709
53,167	0,216	0,826	1,371	0,278	0,016	0,160	1,400	127,005	20,109	34,685	27,233	25,768	20,805	20,874	21,018	20,790	62,685
53,500	0,223	0,843	1,385	0,279	0,018	0,145	1,398	127,052	20,099	34,670	25,240	24,367	20,806	20,874	21,030	20,792	62,734
53,834	0,219	0,854	1,369	0,276	0,024	0,135	1,396	127,079	20,093	34,656	27,379	34,318	20,803	20,873	21,034	20,791	62,726
54,167	0,218	0,835	1,376	0,278	0,025	0,151	1,396	127,101	20,162	34,553	27,440	19,753	20,806	20,866	21,023	20,788	62,765
54,500	0,214	0,835	1,373	0,279	0,033	0,152	1,395	127,111	20,074	34,598	27,037	22,742	20,806	20,870	21,019	20,788	62,780
54,833	0,214	0,849	1,374	0,276	0,018	0,140	1,393	127,128	20,095	34,611	24,701	23,043	20,800	20,875	21,022	20,788	62,818
55,167	0,212	0,834	1,385	0,280	0,015	0,153	1,392	127,152	20,022	34,480	24,735	23,542	20,799	20,878	21,025	20,789	62,880
55,500	0,215	0,834	1,380	0,282	0,023	0,151	1,392	127,178	20,090	34,470	27,290	27,617	20,816	20,873	21,024	20,795	62,929
55,833	0,225	0,835	1,371	0,276	0,015	0,151	1,391	127,197	20,088	34,608	25,582	26,141	20,800	20,874	21,022	20,790	62,932
56,167	0,218	0,835	1,386	0,276	0,022	0,152	1,389	127,222	20,157	34,749	27,727	23,989	20,796	20,872	21,013	20,791	62,984
56,500	0,221	0,837	1,373	0,277	0,035	0,151	1,387	127,246	20,170	34,776	27,807	24,523	20,791	20,873	21,018	20,784	63,037
56,833	0,226	0,854	1,388	0,279	0,022	0,135	1,387	127,293	20,176	34,573	27,413	25,488	20,794	20,870	21,032	20,792	63,009

Pellematic 56_cat IV_run 1_191209_2 underlag till rådata PDF.DAT

Category: IV

	1103	1108	1109	130	230	101	102	1	2	3	6	7	8	11	
Mättid	T3 inlet load side	T2 inlet boiler	T1 outlet boiler	Flow load side	Flow boiler side	Heat output load side	Heat output boiler	CO chimney	CO2 chimney	O2 chimney	Pstat	Pdyn	Tunnel velocity	Våg	Tidpunkt
Minuter	°C	°C	°C	m³/h	m³/h	W	W	ppm	%	%	Pa	Pa	m/s	kg	Klockan
47,500	42,111	51,966	70,097	2,317	2,551	53799,412	53064,683	47,379	15,396	4,888	11,082	55,107	9,584	963,569	2019-12-09 13:51
47,833	42,289	51,997	70,038	2,317	2,554	53453,506	52863,268	44,100	15,870	4,779	11,103	54,903	9,566	963,568	2019-12-09 13:52
48,167	42,406	52,106	70,031	2,317	2,551	53294,910	52467,968	42,944	15,648	4,930	11,162	55,180	9,590	963,476	2019-12-09 13:52
48,500	42,479	52,196	70,037	2,316	2,552	53157,726	52242,147	47,063	15,333	5,073	11,068	55,096	9,583	963,476	2019-12-09 13:52
48,833	42,546	52,248	70,053	2,318	2,551	53062,346	52103,909	44,089	14,952	5,402	11,143	55,013	9,575	963,348	2019-12-09 13:53
49,167	42,528	52,233	70,078	2,314	2,514	52962,700	51455,411	40,405	15,539	5,138	11,057	55,054	9,579	963,253	2019-12-09 13:53
49,500	42,477	52,092	70,178	2,317	2,497	52920,006	51808,399	45,391	15,728	4,689	11,145	55,183	9,590	963,159	2019-12-09 13:53
49,833	42,310	52,057	70,231	2,320	2,497	53448,350	52058,304	47,689	15,633	4,921	11,052	55,418	9,611	963,159	2019-12-09 13:54
50,167	42,230	51,960	70,261	2,317	2,495	53533,940	52391,185	45,779	15,729	4,555	11,083	55,085	9,582	963,065	2019-12-09 13:54
50,500	42,199	51,898	70,395	2,316	2,491	53617,995	52875,782	34,700	15,607	4,787	11,180	55,295	9,600	962,973	2019-12-09 13:54
50,833	42,133	51,899	70,472	2,319	2,463	53910,293	52483,969	57,880	16,312	4,459	11,294	55,455	9,614	962,846	2019-12-09 13:55
51,167	42,089	51,629	70,557	2,321	2,400	53462,733	52133,209	41,763	15,506	4,783	11,141	55,303	9,601	962,847	2019-12-09 13:55
51,500	42,087	51,538	70,724	2,316	2,422	53699,093	53325,383	41,852	15,282	4,829	11,271	55,121	9,585	962,752	2019-12-09 13:55
51,834	42,095	51,823	70,612	2,266	2,466	53518,049	53169,948	39,757	15,543	4,867	11,086	55,078	9,581	962,752	2019-12-09 13:56
52,167	42,108	52,027	70,769	2,266	2,467	53722,237	53054,780	35,881	15,681	5,015	11,117	55,624	9,628	962,659	2019-12-09 13:56
52,500	42,097	52,071	70,721	2,263	2,465	53662,976	52753,487	37,053	15,919	4,661	11,106	55,008	9,575	962,565	2019-12-09 13:56
52,834	42,086	52,053	70,702	2,265	2,465	53798,825	52754,897	44,581	15,904	4,438	11,188	54,969	9,572	962,565	2019-12-09 13:57
53,167	42,087	52,035	70,682	2,265	2,467	53734,201	52787,669	45,765	15,487	4,808	11,130	54,750	9,552	962,472	2019-12-09 13:57
53,500	42,087	52,054	70,804	2,267	2,467	53892,852	53071,199	79,618	16,446	4,346	11,169	55,461	9,614	962,347	2019-12-09 13:57
53,834	42,083	52,087	70,670	2,263	2,465	53784,703	52565,750	47,250	16,451	4,041	11,049	54,824	9,559	962,253	2019-12-09 13:58
54,167	42,076	52,084	70,901	2,262	2,466	53894,388	53230,447	45,193	15,606	4,535	11,112	55,121	9,585	962,253	2019-12-09 13:58
54,500	42,069	52,060	70,822	2,264	2,465	53991,168	53072,559	36,382	15,772	4,546	11,149	54,926	9,568	962,159	2019-12-09 13:58
54,833	42,069	52,076	70,891	2,267	2,469	54160,562	53293,976	40,490	16,568	4,190	11,056	54,953	9,570	962,065	2019-12-09 13:59
55,167	42,066	52,120	70,973	2,268	2,469	54354,342	53404,737	34,484	15,907	4,601	11,191	55,464	9,615	961,973	2019-12-09 13:59
55,500	42,045	52,143	70,988	2,263	2,467	54422,230	53336,280	44,192	15,745	4,537	11,284	55,141	9,587	961,973	2019-12-09 13:59
55,833	42,026	52,127	71,125	2,264	2,462	54500,367	53669,598	60,141	15,573	4,537	11,058	54,881	9,564	961,847	2019-12-09 14:00
56,167	42,024	52,120	71,193	2,264	2,469	54638,861	54023,107	47,993	15,910	4,565	11,055	55,488	9,617	961,753	2019-12-09 14:00
56,500	42,009	52,163	71,100	2,262	2,464	54785,918	53527,796	73,043	16,247	4,532	11,075	54,962	9,571	961,659	2019-12-09 14:00
56,833	41,974	52,181	71,166	2,261	2,466	54775,416	53713,174	62,583	16,424	4,041	11,149	55,612	9,627	961,659	2019-12-09 14:01

Pellematic 56_cat IV_run 1_191209_2 underlag till rådata PDF.DAT

Category: IV

	301	302	304	305	306	308	317	1311	1312	1313	1314	1315	1316	1317	1318	1101	1102
Mättid	CO chimney	CO2 chimney	Pdyn	Pstat	Static pressure chimney	O2 chimney	Våg	Flue gas temp	Ambient	Flue gas at pitot	filter temp 1	filter temp 2	gas meter temp 1	gas meter temp 2	gasmeter temp ambient		T4 outlet load side
Minuter	VDC	VDC	VDC	VDC	VDC	VDC	VDC	°C	°C	°C	°C	°C	°C	°C	°C	°C	°C
57,167	0,234	0,854	1,389	0,275	0,017	0,135	1,386	127,299	20,205	34,589	26,274	25,595	20,799	20,875	21,028	20,790	63,008
57,500	0,240	0,857	1,377	0,277	0,016	0,132	1,384	127,354	20,202	34,589	23,968	23,472	20,797	20,874	21,018	20,792	63,059
57,833	0,223	0,854	1,388	0,280	0,025	0,137	1,383	127,367	20,081	34,696	27,280	24,790	20,800	20,890	21,023	20,794	63,059
58,167	0,218	0,822	1,380	0,281	0,035	0,164	1,382	127,360	20,118	34,569	27,137	26,126	20,799	20,887	21,024	20,792	63,047
58,500	0,217	0,804	1,371	0,279	0,036	0,179	1,382	127,312	20,082	34,652	26,198	29,175	20,804	20,880	21,016	20,786	63,017
58,834	0,214	0,801	1,376	0,278	0,016	0,181	1,380	127,320	20,125	34,685	25,286	24,691	20,808	20,877	21,017	20,788	63,010
59,167	0,215	0,825	1,381	0,281	0,019	0,160	1,378	127,360	20,217	34,676	24,555	23,687	20,796	20,866	21,013	20,781	63,042
59,500	0,215	0,818	1,373	0,279	0,013	0,167	1,378	127,361	20,187	34,591	24,995	23,823	20,797	20,874	21,020	20,785	62,995
59,834	0,214	0,800	1,382	0,283	0,020	0,182	1,377	127,313	20,193	34,580	26,236	23,772	20,800	20,876	21,018	20,782	63,112
60,167	0,213	0,787	1,378	0,274	0,022	0,194	1,377	127,296	20,151	34,501	83,547	9,709	20,796	20,875	21,011	20,778	63,237
60,500	0,213	0,802	1,380	0,279	0,024	0,180	1,376	127,293	20,155	34,585	30,153	29,190	20,803	20,875	21,012	20,774	63,260
60,834	0,215	0,793	1,374	0,278	0,018	0,189	1,374	127,282	20,194	34,565	23,724	24,917	20,800	20,875	21,016	20,778	63,284
61,167	0,214	0,809	1,374	0,280	0,021	0,174	1,374	127,306	20,207	34,632	24,547	24,993	20,798	20,871	21,020	20,778	63,234
61,500	0,216	0,815	1,380	0,278	0,022	0,168	1,372	127,329	20,223	34,752	26,238	24,656	20,804	20,875	21,007	20,778	63,231
61,833	0,220	0,851	1,378	0,280	0,022	0,139	1,371	127,372	20,200	34,749	27,406	26,562	20,800	20,873	21,016	20,774	63,245
62,167	0,217	0,845	1,382	0,279	0,016	0,144	1,371	127,403	20,213	34,663	23,422	26,292	20,805	20,871	21,016	20,777	63,188
62,500	0,217	0,849	1,373	0,279	0,022	0,139	1,369	127,435	20,229	34,647	23,730	22,753	20,810	20,881	21,021	20,783	63,161
62,833	0,216	0,837	1,380	0,280	0,016	0,148	1,368	127,434	20,230	34,826	25,745	24,807	20,809	20,876	21,020	20,778	63,147
63,167	0,231	0,858	1,367	0,277	0,018	0,133	1,367	127,442	20,233	34,839	26,851	26,328	20,807	20,885	21,010	20,779	63,124
63,500	0,219	0,833	1,377	0,278	0,012	0,153	1,365	127,444	20,256	34,743	24,915	25,927	20,811	20,880	21,018	20,779	63,121
63,833	0,218	0,828	1,381	0,277	0,018	0,157	1,364	127,413	20,238	34,644	26,260	24,162	20,822	20,872	21,010	20,776	63,118
64,167	0,217	0,829	1,367	0,279	0,018	0,158	1,363	127,445	20,264	34,718	25,968	24,132	20,807	20,872	21,013	20,777	63,106
64,500	0,219	0,832	1,371	0,278	0,019	0,154	1,362	127,486	20,280	34,763	25,513	24,367	20,821	20,872	21,030	20,783	63,127
64,833	0,219	0,815	1,366	0,279	0,020	0,171	1,361	127,445	20,300	34,708	26,776	25,901	20,814	20,879	21,019	20,780	63,156
65,167	0,216	0,802	1,379	0,276	0,020	0,180	1,360	127,424	20,290	34,664	26,158	25,724	20,817	20,873	21,023	20,779	63,134
65,500	0,215	0,813	1,379	0,281	0,018	0,170	1,360	127,435	20,258	34,656	24,845	23,546	20,823	20,883	21,020	20,778	63,139
65,834	0,214	0,814	1,388	0,282	0,020	0,169	1,359	127,425	20,285	34,729	25,246	24,987	20,813	20,874	21,010	20,781	63,098
66,167	0,213	0,810	1,383	0,280	0,019	0,174	1,357	127,429	20,264	34,832	25,444	24,192	20,826	20,881	21,016	20,784	63,093
66,500	0,214	0,799	1,361	0,281	0,018	0,184	1,356	127,377	20,280	34,487	26,374	26,101	20,822	20,886	21,019	20,784	63,012

Pellematic 56_cat IV_run 1_191209_2 underlag till rådata PDF.DAT

Category: IV

	1103	1108	1109	130	230	101	102	1	2	3	6	7	8	11	
Mättid	T3 inlet load side	T2 inlet boiler	T1 outlet boiler	Flow load side	Flow boiler side	Heat output load side	Heat output boiler	CO chimney	CO2 chimney	O2 chimney	Pstat	Pdyn	Tunnel velocity	Våg	Tidpunkt
Minuter	°C	°C	°C	m³/h	m³/h	W	W	ppm	%	%	Pa	Pa	m/s	kg	Klockan
57,167	41,967	52,126	71,243	2,264	2,463	54861,211	54029,293	70,990	16,099	4,055	11,009	55,560	9,623	961,566	2019-12-09 14:01
57,500	41,944	52,139	71,321	2,264	2,469	55049,978	54336,695	136,720	16,651	3,970	11,061	55,197	9,591	961,474	2019-12-09 14:01
57,833	41,876	52,155	71,217	2,263	2,465	55214,224	53918,088	57,299	16,205	4,099	11,206	55,750	9,639	961,349	2019-12-09 14:02
58,167	41,881	52,130	71,207	2,265	2,471	55216,797	54076,814	46,477	15,569	4,914	11,244	55,186	9,590	961,357	2019-12-09 14:02
58,500	41,878	52,124	71,244	2,263	2,465	55104,461	54084,823	44,017	14,792	5,359	11,146	54,889	9,565	961,350	2019-12-09 14:02
58,834	41,875	52,083	71,135	2,264	2,469	55107,610	53962,871	40,171	15,060	5,431	11,124	55,152	9,587	961,255	2019-12-09 14:03
59,167	41,887	52,104	71,154	2,266	2,464	55197,076	53854,860	41,677	15,951	4,811	11,227	55,306	9,601	961,067	2019-12-09 14:03
59,500	41,909	52,118	71,221	2,264	2,465	54973,324	54033,306	42,091	15,366	5,023	11,146	54,856	9,562	961,068	2019-12-09 14:03
59,834	41,911	52,135	71,292	2,237	2,462	54623,648	54124,424	36,045	14,856	5,450	11,317	55,394	9,609	961,067	2019-12-09 14:04
60,167	41,902	52,263	71,123	2,213	2,464	54366,442	53325,371	37,719	14,737	5,814	10,962	55,240	9,595	961,068	2019-12-09 14:04
60,500	41,903	52,315	71,166	2,208	2,465	54299,251	53318,484	34,462	15,142	5,413	11,148	55,316	9,602	960,975	2019-12-09 14:04
60,834	41,913	52,356	71,198	2,211	2,466	54428,442	53314,046	40,292	14,856	5,656	11,103	54,773	9,554	960,850	2019-12-09 14:05
61,167	41,899	52,346	71,205	2,211	2,464	54335,086	53319,631	37,463	15,221	5,207	11,199	54,960	9,571	960,849	2019-12-09 14:05
61,500	41,899	52,314	71,176	2,216	2,465	54432,783	53340,755	46,987	15,205	5,039	11,107	55,195	9,591	960,755	2019-12-09 14:05
61,833	41,903	52,321	71,021	2,213	2,464	54388,660	52861,627	58,924	16,349	4,167	11,198	54,919	9,567	960,662	2019-12-09 14:06
62,167	41,869	52,322	71,081	2,212	2,465	54303,315	53057,420	42,925	16,190	4,313	11,168	55,491	9,617	960,661	2019-12-09 14:06
62,500	41,787	52,287	71,073	2,210	2,464	54399,764	53100,733	40,501	16,091	4,163	11,148	54,759	9,553	960,568	2019-12-09 14:06
62,833	41,763	52,244	71,002	2,211	2,465	54462,428	53056,358	43,764	15,938	4,455	11,204	55,422	9,611	960,475	2019-12-09 14:07
63,167	41,714	52,206	71,146	2,213	2,464	54564,516	53536,581	101,518	16,468	3,986	11,067	54,449	9,526	960,350	2019-12-09 14:07
63,500	41,620	52,180	71,127	2,213	2,467	54798,234	53632,322	51,830	15,984	4,595	11,101	55,142	9,587	960,256	2019-12-09 14:07
63,833	41,537	52,142	71,100	2,211	2,464	54966,570	53585,227	43,130	15,718	4,713	11,094	55,252	9,596	960,256	2019-12-09 14:08
64,167	41,560	52,098	71,164	2,209	2,463	54809,913	53881,257	41,660	15,548	4,725	11,144	54,476	9,529	960,162	2019-12-09 14:08
64,500	41,536	52,103	71,131	2,210	2,464	54948,910	53799,422	51,794	15,608	4,633	11,109	54,993	9,574	960,068	2019-12-09 14:08
64,833	41,452	52,110	71,145	2,212	2,469	55298,389	53920,494	57,415	15,262	5,116	11,144	54,597	9,539	960,068	2019-12-09 14:09
65,167	41,405	52,103	71,187	2,210	2,467	55312,402	54017,048	45,804	15,223	5,411	11,047	55,319	9,602	959,976	2019-12-09 14:09
65,500	41,277	52,049	71,273	2,209	2,461	55620,643	54272,370	37,292	15,200	5,103	11,230	55,228	9,594	959,976	2019-12-09 14:09
65,834	41,262	51,964	71,079	2,207	2,465	55521,902	54070,138	38,898	15,203	5,075	11,276	55,562	9,623	959,976	2019-12-09 14:10
66,167	41,195	51,966	71,054	2,206	2,462	55650,821	53924,180	33,944	15,353	5,217	11,207	55,166	9,589	959,756	2019-12-09 14:10
66,500	40,977	51,931	71,090	2,207	2,462	56021,988	54121,667	39,471	14,975	5,521	11,230	54,517	9,532	959,756	2019-12-09 14:10

Pellematic 56_cat IV_run 1_191209_2 underlag till rådata PDF.DAT

Category: IV

	301	302	304	305	306	308	317	1311	1312	1313	1314	1315	1316	1317	1318	1101	1102
Mättid	CO chimney	CO2 chimney	Pdyn	Pstat	Static pressure chimney	O2 chimney	Våg	Flue gas temp	Ambient	Flue gas at pitot	filter temp 1	filter temp 2	gas meter temp 1	gas meter temp 2	gasmeter temp ambient		T4 outlet load side
Minuter	VDC	VDC	VDC	VDC	VDC	VDC	VDC	°C	°C	°C	°C	°C	°C	°C	°C	°C	°C
66,834	0,214	0,796	1,371	0,282	0,019	0,185	1,355	127,333	20,281	34,736	25,878	24,475	20,827	20,877	21,026	20,784	62,969
67,167	0,215	0,790	1,371	0,280	0,013	0,190	1,354	127,285	20,236	34,676	25,007	25,379	20,822	20,881	21,021	20,783	62,897
67,500	0,215	0,814	1,377	0,277	0,017	0,169	1,353	127,257	20,234	34,624	26,413	26,620	20,819	20,885	21,021	20,786	62,845
67,834	0,215	0,814	1,381	0,278	0,016	0,171	1,352	127,223	20,215	34,642	25,091	24,382	20,822	20,885	21,022	20,787	62,743
68,167	0,214	0,803	1,382	0,280	0,016	0,179	1,352	127,208	20,236	34,623	30,370	25,691	20,826	20,879	21,018	20,787	62,681
68,500	0,212	0,796	1,370	0,279	0,021	0,187	1,351	127,140	20,276	34,627	26,863	24,790	20,827	20,883	21,030	20,790	62,646
68,833	0,213	0,797	1,370	0,277	0,017	0,184	1,349	127,134	20,180	34,721	25,463	25,232	20,829	20,888	21,024	20,789	62,577
69,167	0,217	0,819	1,373	0,280	0,016	0,165	1,348	127,138	20,219	34,760	26,990	26,143	20,835	20,879	21,018	20,789	62,574
69,500	0,214	0,807	1,375	0,280	0,019	0,176	1,347	127,144	20,219	34,639	25,144	25,417	20,829	20,891	21,024	20,789	62,564
69,833	0,214	0,816	1,379	0,283	0,020	0,167	1,347	127,148	20,235	34,691	26,131	25,913	20,829	20,885	21,027	20,792	62,562
70,167	0,212	0,827	1,375	0,278	0,014	0,157	1,346	127,170	20,316	34,698	26,407	27,006	20,838	20,889	21,022	20,792	62,543
70,500	0,214	0,835	1,366	0,275	0,034	0,152	1,344	127,145	20,282	34,717	26,635	24,936	20,822	20,879	21,037	20,789	62,674
70,833	0,217	0,828	1,375	0,279	0,018	0,158	1,344	127,141	20,238	34,638	24,640	23,366	20,823	20,885	21,019	20,790	62,661
71,167	0,216	0,831	1,368	0,277	0,021	0,154	1,343	127,130	20,208	34,735	26,555	24,762	20,833	20,885	21,019	20,790	62,744
71,500	0,215	0,823	1,371	0,279	0,019	0,161	1,341	127,120	20,176	34,723	27,532	25,028	20,825	20,881	21,022	20,790	62,856
71,833	0,218	0,839	1,376	0,275	0,019	0,150	1,339	127,132	20,201	34,754	23,900	23,679	20,838	20,888	21,021	20,794	62,965
72,167	0,217	0,822	1,374	0,280	0,021	0,163	1,339	127,121	20,246	34,770	27,379	25,799	20,833	20,889	21,030	20,794	63,026
72,500	0,216	0,818	1,379	0,277	0,015	0,167	1,337	127,149	20,285	34,706	23,771	23,015	20,844	20,882	21,027	20,795	63,045
72,834	0,218	0,835	1,373	0,280	0,014	0,151	1,336	127,176	20,232	34,742	25,139	24,676	20,825	20,886	21,022	20,793	63,158
73,167	0,213	0,820	1,367	0,280	0,020	0,166	1,336	127,177	20,263	34,747	28,095	25,481	20,834	20,892	21,035	20,799	63,233
73,500	0,217	0,797	1,366	0,276	0,020	0,185	1,334	127,160	20,282	34,696	26,341	23,973	20,840	20,882	21,027	20,798	63,333
73,834	0,213	0,818	1,364	0,279	0,017	0,166	1,332	127,173	20,241	34,685	27,047	24,752	20,833	20,886	21,028	20,798	63,365
74,167	0,217	0,825	1,379	0,280	0,017	0,161	1,331	127,202	20,173	34,784	23,934	25,387	20,835	20,887	21,026	20,801	63,472
74,500	0,219	0,834	1,376	0,278	0,018	0,153	1,331	127,263	20,197	34,820	26,158	24,938	20,829	20,880	21,026	20,796	63,530
74,834	0,219	0,833	1,371	0,276	0,015	0,154	1,329	127,336	20,250	34,849	24,880	24,291	20,829	20,888	21,028	20,800	63,655
75,167	0,220	0,848	1,373	0,280	0,012	0,140	1,328	127,383	20,250	34,709	24,850	24,666	20,838	20,884	21,028	20,796	63,780
75,500	0,219	0,820	1,383	0,277	0,022	0,165	1,328	127,394	20,246	34,675	28,091	26,332	20,833	20,886	21,025	20,798	63,886
75,833	0,219	0,816	1,379	0,277	0,023	0,168	1,326	127,455	20,260	34,816	25,348	23,305	20,831	20,891	21,016	20,794	63,977
76,167	0,220	0,830	1,374	0,277	0,017	0,156	1,324	127,472	20,260	34,737	25,798	25,616	20,832	20,884	21,030	20,797	64,085

Pellematic 56_cat IV_run 1_191209_2 underlag till rådata PDF.DAT

Category: IV

	1103	1108	1109	130	230	101	102	1	2	3	6	7	8	11	
Mättid	T3 inlet load side	T2 inlet boiler	T1 outlet boiler	Flow load side	Flow boiler side	Heat output load side	Heat output boiler	CO chimney	CO2 chimney	O2 chimney	Pstat	Pdyn	Tunnel velocity	Våg	Tidpunkt
Minuter	°C	°C	°C	m³/h	m³/h	W	W	ppm	%	%	Pa	Pa	m/s	kg	Klockan
66,834	40,816	51,787	71,143	2,207	2,464	56336,390	54722,832	34,191	14,816	5,546	11,285	54,793	9,556	959,663	2019-12-09 14:11
67,167	40,871	51,668	71,038	2,206	2,464	55974,148	54760,768	47,761	14,585	5,701	11,215	54,858	9,562	959,647	2019-12-09 14:11
67,500	40,707	51,659	70,929	2,209	2,464	56334,221	54481,143	44,046	15,645	5,084	11,087	55,042	9,578	959,569	2019-12-09 14:11
67,834	40,608	51,575	70,891	2,207	2,460	56295,320	54535,671	39,657	15,319	5,121	11,107	55,353	9,605	959,479	2019-12-09 14:12
68,167	40,597	51,479	70,889	2,204	2,460	56093,804	54802,645	33,862	15,061	5,373	11,197	54,961	9,571	959,477	2019-12-09 14:12
68,500	40,531	51,434	70,824	2,210	2,465	56314,381	54866,247	31,177	14,637	5,600	11,146	54,941	9,569	959,347	2019-12-09 14:12
68,833	40,545	51,382	70,746	2,210	2,460	56102,617	54678,540	38,301	15,158	5,534	11,065	54,985	9,573	959,253	2019-12-09 14:13
69,167	40,761	51,398	70,686	2,210	2,462	55542,222	54504,459	42,024	15,729	4,958	11,206	54,810	9,558	959,252	2019-12-09 14:13
69,500	40,900	51,476	70,745	2,206	2,462	55056,025	54434,079	37,885	15,096	5,268	11,213	54,857	9,562	959,252	2019-12-09 14:13
69,833	41,092	51,547	70,576	2,209	2,458	54625,138	53687,870	34,960	15,329	4,999	11,310	55,150	9,587	959,159	2019-12-09 14:14
70,167	41,523	51,612	70,542	2,211	2,464	53538,066	53515,161	34,860	15,735	4,720	11,123	54,640	9,543	959,065	2019-12-09 14:14
70,500	41,908	51,862	70,359	2,209	2,465	52817,859	52326,344	45,736	15,822	4,571	10,994	54,872	9,563	958,972	2019-12-09 14:14
70,833	42,061	52,079	70,487	2,209	2,460	52393,893	51961,722	44,587	15,690	4,737	11,166	54,765	9,554	958,972	2019-12-09 14:15
71,167	42,354	52,171	70,526	2,212	2,460	51926,005	51808,240	39,407	15,688	4,620	11,066	54,552	9,535	958,972	2019-12-09 14:15
71,500	42,664	52,328	70,509	2,210	2,465	51368,117	51420,511	39,736	15,293	4,823	11,177	55,128	9,585	958,752	2019-12-09 14:15
71,833	42,760	52,548	70,605	2,210	2,464	51409,834	51027,982	46,021	15,948	4,494	10,989	55,277	9,598	958,659	2019-12-09 14:16
72,167	42,966	52,665	70,558	2,211	2,464	51067,531	50565,274	49,725	15,758	4,888	11,190	54,857	9,562	958,658	2019-12-09 14:16
72,500	43,177	52,767	70,568	2,211	2,460	50573,158	50233,897	43,244	15,244	4,995	11,081	55,381	9,607	958,564	2019-12-09 14:16
72,834	43,296	52,895	70,723	2,210	2,458	50526,086	50271,067	42,588	15,792	4,533	11,190	54,515	9,532	958,472	2019-12-09 14:17
73,167	43,509	52,996	70,742	2,212	2,463	50204,686	50123,641	35,275	15,364	4,976	11,215	54,674	9,546	958,472	2019-12-09 14:17
73,500	43,558	53,139	70,729	2,210	2,463	50297,826	49675,724	43,173	15,059	5,537	11,059	54,596	9,539	958,347	2019-12-09 14:17
73,834	43,556	53,214	70,922	2,211	2,464	50398,062	50030,261	33,389	15,547	4,972	11,142	54,602	9,540	958,252	2019-12-09 14:18
74,167	43,580	53,242	70,994	2,214	2,460	50681,119	50086,625	42,020	15,400	4,832	11,211	55,346	9,604	958,158	2019-12-09 14:18
74,500	43,694	53,270	71,044	2,212	2,465	50485,231	50249,830	44,776	15,880	4,579	11,139	55,047	9,578	958,158	2019-12-09 14:18
74,834	43,768	53,367	71,212	2,209	2,460	50546,439	50341,547	57,331	16,089	4,614	11,036	54,727	9,551	958,065	2019-12-09 14:19
75,167	43,774	53,482	71,390	2,210	2,460	50881,959	50518,097	57,092	16,284	4,208	11,216	55,307	9,601	957,972	2019-12-09 14:19
75,500	43,758	53,539	71,552	2,210	2,460	51196,251	50817,233	50,567	15,313	4,947	11,088	55,228	9,594	957,973	2019-12-09 14:19
75,833	43,770	53,545	71,542	2,210	2,462	51399,140	50805,751	49,812	15,312	5,051	11,088	55,048	9,578	957,846	2019-12-09 14:20
76,167	43,792	53,623	71,613	2,211	2,464	51625,888	50821,970	57,697	15,902	4,678	11,069	55,275	9,598	957,753	2019-12-09 14:20

Pellematic 56_cat IV_run 1_191209_2 underlag till rådata PDF.DAT

Category: IV

	301	302	304	305	306	308	317	1311	1312	1313	1314	1315	1316	1317	1318	1101	1102
Mättid	CO chimney	CO2 chimney	Pdyn	Pstat	Static pressure chimney	O2 chimney	Våg	Flue gas temp	Ambient	Flue gas at pitot	filter temp 1	filter temp 2	gas meter temp 1	gas meter temp 2	gasmeter temp ambient		T4 outlet load side
Minuter	VDC	VDC	VDC	VDC	VDC	VDC	VDC	°C	°C	°C	°C	°C	°C	°C	°C	°C	°C
76,500	0,217	0,821	1,372	0,279	0,011	0,164	1,322	127,492	20,284	34,802	27,977	27,015	20,844	20,886	21,034	20,803	64,118
76,833	0,214	0,827	1,380	0,281	0,015	0,158	1,323	127,558	20,250	34,796	25,579	25,233	20,836	20,884	21,025	20,800	64,177
77,167	0,218	0,861	1,377	0,281	0,023	0,129	1,320	127,626	20,239	34,871	25,780	26,335	20,836	20,880	21,032	20,798	64,242
77,500	0,216	0,854	1,375	0,277	0,026	0,136	1,320	127,675	20,222	34,755	24,889	24,514	20,835	20,879	21,027	20,798	64,372
77,833	0,216	0,828	1,370	0,282	0,022	0,158	1,319	127,661	20,263	34,704	23,510	23,443	20,841	20,887	21,024	20,800	64,439
78,167	0,219	0,806	1,378	0,278	0,022	0,177	1,318	127,664	20,251	34,764	26,101	25,328	20,842	20,889	21,039	20,802	64,515
78,500	0,218	0,805	1,374	0,277	0,015	0,177	1,316	127,689	20,196	34,814	24,256	23,629	20,840	20,890	21,034	20,803	64,609
78,834	0,218	0,824	1,361	0,282	0,019	0,160	1,315	127,742	20,213	34,829	27,245	26,862	20,835	20,892	21,028	20,802	64,736
79,167	0,215	0,830	1,373	0,283	0,019	0,157	1,313	127,766	20,235	34,792	25,383	24,957	20,844	20,883	21,033	20,798	64,754
79,500	0,227	0,829	1,385	0,282	0,017	0,156	1,313	127,792	20,279	34,742	25,107	25,444	20,835	20,879	21,026	20,798	64,830
79,834	0,221	0,835	1,382	0,279	0,019	0,152	1,312	127,889	20,278	34,791	25,897	25,546	20,846	20,878	21,020	20,800	64,893
80,167	0,221	0,855	1,381	0,277	0,019	0,135	1,309	127,990	20,322	34,882	26,771	26,700	20,839	20,887	21,036	20,800	64,921
80,500	0,216	0,844	1,372	0,276	0,013	0,144	1,308	128,026	20,288	34,827	24,626	25,521	20,847	20,886	21,031	20,803	64,955
80,834	0,216	0,835	1,382	0,279	0,017	0,151	1,307	128,090	20,319	34,923	28,464	26,395	20,848	20,890	21,041	20,803	65,034
81,167	0,218	0,846	1,389	0,278	0,023	0,143	1,307	128,126	20,334	34,969	25,517	24,749	20,850	20,877	21,031	20,803	65,045
81,500	0,216	0,816	1,370	0,278	0,023	0,168	1,305	128,145	20,377	34,974	26,575	24,878	20,844	20,891	21,035	20,805	65,015
81,833	0,219	0,832	1,373	0,279	0,022	0,155	1,304	128,198	20,224	34,869	25,277	24,916	20,842	20,900	21,043	20,807	65,044
82,167	0,218	0,812	1,371	0,280	0,015	0,173	1,304	128,197	20,211	34,702	24,149	23,664	20,850	20,890	21,038	20,807	65,014
82,500	0,214	0,790	1,385	0,281	0,021	0,191	1,303	128,186	20,175	34,716	27,212	26,525	20,841	20,893	21,037	20,803	65,052
82,833	0,217	0,806	1,377	0,277	0,014	0,177	1,302	128,241	20,229	34,669	26,027	24,297	20,851	20,890	21,045	20,809	65,043
83,167	0,215	0,816	1,375	0,280	0,023	0,167	1,301	128,255	20,221	34,739	26,223	26,016	20,851	20,890	21,038	20,809	65,008
83,500	0,214	0,818	1,380	0,278	0,020	0,167	1,300	128,277	20,222	34,858	24,891	25,813	20,845	20,896	21,036	20,808	64,918
83,833	0,214	0,834	1,380	0,278	0,023	0,151	1,299	128,299	20,235	34,899	25,824	26,734	20,856	20,896	21,046	20,813	64,852
84,167	0,217	0,842	1,386	0,278	0,015	0,145	1,297	128,329	20,179	34,962	24,975	25,675	20,846	20,886	21,031	20,807	64,856
84,500	0,234	0,870	1,385	0,278	0,014	0,122	1,297	128,420	20,260	34,979	25,139	24,959	20,852	20,892	21,044	20,809	64,849
84,833	0,220	0,872	1,368	0,281	0,021	0,119	1,295	128,508	20,278	34,971	26,033	25,734	20,855	20,897	21,035	20,812	64,867
85,167	0,222	0,874	1,379	0,281	0,018	0,118	1,294	128,542	20,265	34,949	26,346	25,941	20,857	20,899	21,042	20,810	64,850
85,500	0,224	0,850	1,377	0,282	0,015	0,140	1,292	128,582	20,257	34,931	26,802	25,568	20,851	20,895	21,041	20,809	64,800
85,834	0,219	0,827	1,373	0,278	0,019	0,159	1,292	128,587	20,219	34,946	23,924	23,312	20,853	20,890	21,047	20,809	64,799

Pellematic 56_cat IV_run 1_191209_2 underlag till rådata PDF.DAT

Category: IV

	1103	1108	1109	130	230	101	102	1	2	3	6	7	8	11	
Mättid	T3 inlet load side	T2 inlet boiler	T1 outlet boiler	Flow load side	Flow boiler side	Heat output load side	Heat output boiler	CO chimney	CO2 chimney	O2 chimney	Pstat	Pdyn	Tunnel velocity	Våg	Tidpunkt
Minuter	°C	°C	°C	m³/h	m³/h	W	W	ppm	%	%	Pa	Pa	m/s	kg	Klockan
76,500	43,755	53,675	71,771	2,205	2,460	51679,251	51045,684	41,160	15,533	4,931	11,151	54,884	9,564	957,565	2019-12-09 14:20
76,833	43,704	53,662	71,855	2,209	2,460	52042,607	51311,687	33,945	15,825	4,740	11,225	55,407	9,610	957,659	2019-12-09 14:21
77,167	43,908	53,676	71,924	2,209	2,462	51685,758	51524,210	47,714	16,532	3,872	11,232	55,018	9,576	957,473	2019-12-09 14:21
77,500	44,074	53,814	72,026	2,206	2,462	51522,485	51407,808	44,091	16,340	4,079	11,068	54,921	9,567	957,473	2019-12-09 14:21
77,833	44,157	53,941	72,119	2,207	2,464	51512,787	51344,935	48,125	15,679	4,743	11,275	55,055	9,579	957,349	2019-12-09 14:22
78,167	44,352	54,034	72,122	2,210	2,465	51276,085	51127,237	47,708	15,058	5,318	11,118	55,125	9,585	957,349	2019-12-09 14:22
78,500	44,727	54,156	72,173	2,209	2,461	50517,969	50823,279	44,712	15,074	5,306	11,063	54,931	9,568	957,254	2019-12-09 14:22
78,834	44,607	54,355	72,176	2,213	2,462	51246,078	50295,143	49,301	15,650	4,801	11,289	53,989	9,486	957,162	2019-12-09 14:23
79,167	44,602	54,372	72,362	2,209	2,465	51211,779	50827,553	39,984	15,746	4,698	11,338	55,191	9,591	957,067	2019-12-09 14:23
79,500	44,615	54,383	72,440	2,209	2,461	51370,781	50943,174	100,569	16,108	4,685	11,279	55,448	9,613	957,067	2019-12-09 14:23
79,834	44,551	54,418	72,502	2,211	2,464	51758,855	51084,380	50,154	15,696	4,553	11,154	55,354	9,605	956,974	2019-12-09 14:24
80,167	44,388	54,398	72,464	2,210	2,464	52214,968	51021,774	61,317	16,609	4,043	11,086	55,421	9,611	956,755	2019-12-09 14:24
80,500	44,234	54,350	72,731	2,206	2,462	52594,917	51873,826	43,096	16,050	4,322	11,052	55,052	9,579	956,755	2019-12-09 14:24
80,834	43,909	54,309	72,813	2,207	2,462	53660,139	52230,170	46,795	16,200	4,543	11,170	55,263	9,597	956,661	2019-12-09 14:25
81,167	43,619	54,183	72,822	2,205	2,464	54365,311	52644,307	43,089	15,867	4,282	11,130	55,544	9,622	956,661	2019-12-09 14:25
81,500	43,376	53,994	72,954	2,209	2,465	55018,241	53593,983	45,283	15,283	5,050	11,109	54,550	9,535	956,567	2019-12-09 14:25
81,833	43,105	53,898	73,079	2,211	2,464	55852,593	54186,039	55,898	16,002	4,650	11,161	55,244	9,595	956,475	2019-12-09 14:26
82,167	43,056	53,783	73,157	2,209	2,465	55833,635	54752,618	46,369	15,219	5,196	11,213	54,795	9,556	956,475	2019-12-09 14:26
82,500	43,072	53,744	73,242	2,209	2,459	55884,694	54968,182	32,353	14,720	5,719	11,257	55,392	9,608	956,349	2019-12-09 14:26
82,833	42,936	53,738	73,210	2,210	2,464	56251,207	55016,150	44,961	15,028	5,319	11,067	55,232	9,594	956,350	2019-12-09 14:27
83,167	42,896	53,663	73,090	2,210	2,462	56265,374	54858,063	41,906	15,643	5,024	11,184	54,984	9,573	956,255	2019-12-09 14:27
83,500	42,929	53,629	73,035	2,209	2,460	55914,364	54750,425	37,092	15,521	5,013	11,114	55,267	9,598	956,255	2019-12-09 14:27
83,833	43,023	53,600	72,998	2,213	2,462	55610,356	54761,359	36,659	15,932	4,522	11,109	55,126	9,585	956,161	2019-12-09 14:28
84,167	43,139	53,635	72,896	2,211	2,466	55288,829	54460,448	48,382	15,869	4,352	11,132	55,420	9,611	956,068	2019-12-09 14:28
84,500	43,107	53,690	73,008	2,211	2,467	55350,220	54644,094	120,675	16,812	3,647	11,131	55,319	9,602	956,067	2019-12-09 14:28
84,833	43,048	53,669	73,004	2,213	2,467	55589,365	54702,549	51,739	17,050	3,583	11,231	54,441	9,526	955,849	2019-12-09 14:29
85,167	43,004	53,649	72,889	2,214	2,464	55689,090	54356,296	58,029	16,862	3,526	11,239	55,232	9,594	955,849	2019-12-09 14:29
85,500	42,926	53,608	72,981	2,213	2,465	55723,596	54751,283	52,082	15,840	4,206	11,288	54,917	9,567	955,755	2019-12-09 14:29
85,834	42,914	53,557	72,834	2,212	2,464	55722,975	54466,066	53,579	15,487	4,781	11,140	55,172	9,589	955,756	2019-12-09 14:30

Pellematic 56_cat IV_run 1_191209_2 underlag till rådata PDF.DAT

Category: IV

	301	302	304	305	306	308	317	1311	1312	1313	1314	1315	1316	1317	1318	1101	1102
Mättid	CO chimney	CO2 chimney	Pdyn	Pstat	Static pressure chimney	O2 chimney	Våg	Flue gas temp	Ambient	Flue gas at pitot	filter temp 1	filter temp 2	gas meter temp 1	gas meter temp 2	gasmeter temp ambient		T4 outlet load side
Minuter	VDC	VDC	VDC	VDC	VDC	VDC	VDC	°C	°C	°C	°C	°C	°C	°C	°C	°C	°C
86,167	0,222	0,825	1,380	0,278	0,017	0,161	1,291	128,571	20,231	34,833	24,594	22,741	20,855	20,902	21,044	20,811	64,775
86,500	0,220	0,814	1,374	0,280	0,025	0,170	1,291	128,600	20,219	34,843	26,609	24,647	20,850	20,899	21,042	20,811	64,783
86,834	0,218	0,828	1,379	0,277	0,024	0,158	1,288	128,604	20,236	34,848	28,458	27,197	20,861	20,899	21,040	20,809	64,781
87,167	0,222	0,840	1,369	0,277	0,024	0,146	1,287	128,624	20,255	34,932	27,653	27,275	20,856	20,893	21,042	20,815	64,775
87,500	0,219	0,849	1,384	0,277	0,019	0,140	1,286	128,671	20,236	34,930	26,830	25,087	20,852	20,898	21,041	20,812	64,780
87,834	0,217	0,843	1,375	0,279	0,022	0,145	1,286	128,673	20,277	34,885	26,793	25,982	20,851	20,896	21,035	20,809	64,786
88,167	0,224	0,850	1,364	0,279	0,020	0,137	1,283	128,733	20,334	34,986	25,878	25,893	20,853	20,890	21,035	20,812	64,826
88,500	0,221	0,846	1,368	0,281	0,015	0,141	1,283	128,753	20,287	34,924	25,336	25,212	20,859	20,894	21,040	20,812	64,784
88,833	0,218	0,850	1,381	0,281	0,014	0,139	1,281	128,766	20,288	34,817	25,414	23,789	20,856	20,890	21,042	20,808	64,809
89,167	0,218	0,846	1,384	0,284	0,012	0,143	1,281	128,803	20,279	34,766	24,032	24,439	20,858	20,898	21,054	20,814	64,769
89,500	0,219	0,840	1,370	0,282	0,010	0,147	1,280	128,800	20,260	34,951	23,844	23,090	20,849	20,892	21,045	20,809	64,760
89,833	0,217	0,834	1,378	0,281	0,019	0,154	1,280	128,779	20,238	35,062	27,673	25,823	20,851	20,893	21,046	20,809	64,815
90,167	0,214	0,813	1,383	0,280	0,015	0,172	1,278	128,802	20,269	34,898	26,044	26,363	20,854	20,898	21,044	20,813	64,818
90,500	0,215	0,827	1,366	0,278	0,018	0,159	1,276	128,831	20,210	35,025	27,117	26,660	20,852	20,892	21,044	20,811	64,834
90,833	0,215	0,832	1,383	0,279	0,016	0,154	1,275	128,873	20,234	34,937	26,026	25,174	20,866	20,893	21,047	20,812	64,845
91,167	0,217	0,837	1,367	0,278	0,022	0,150	1,275	128,883	20,249	34,839	26,369	25,069	20,854	20,899	21,040	20,809	64,847
91,500	0,224	0,838	1,373	0,279	0,019	0,149	1,272	128,919	20,219	34,880	40,539	239,045	20,854	20,888	21,040	20,809	64,799
91,833	0,225	0,846	1,370	0,280	0,023	0,143	1,273	128,947	20,249	34,960	25,822	23,510	20,861	20,894	21,044	20,813	64,728
92,167	0,225	0,833	1,370	0,278	0,018	0,153	1,272	128,922	20,247	34,934	25,586	25,099	20,851	20,895	21,039	20,813	64,707
92,500	0,217	0,833	1,373	0,280	0,015	0,154	1,270	128,932	20,241	35,023	26,422	23,299	20,856	20,889	21,049	20,812	64,676
92,834	0,216	0,830	1,382	0,284	0,014	0,155	1,270	128,919	20,181	34,942	24,905	23,132	20,866	20,895	21,054	20,813	64,621
93,167	0,217	0,826	1,367	0,280	0,021	0,161	1,267	128,901	20,200	34,964	26,238	26,326	20,862	20,898	21,042	20,813	64,662
93,500	0,221	0,833	1,373	0,279	0,016	0,153	1,267	128,904	20,241	34,944	26,120	23,353	20,859	20,894	21,054	20,813	64,693
93,834	0,222	0,843	1,381	0,280	0,012	0,143	1,267	128,935	20,257	34,942	25,425	36,465	20,858	20,903	21,058	20,813	64,687
94,167	0,223	0,859	1,376	0,282	0,014	0,131	1,504	128,943	20,281	35,018	34,706	32,618	20,862	20,904	21,054	20,817	64,674
94,500	0,218	0,827	1,383	0,285	0,020	0,159	1,663	128,928	20,276	35,043	-4978,286	-47,102	20,874	20,902	21,044	20,815	64,644
94,834	0,221	0,822	1,376	0,276	0,018	0,163	1,743	128,961	20,308	35,059	9,111	-31,102	20,882	20,911	21,049	20,820	64,642
95,167	0,219	0,838	1,368	0,278	0,015	0,148	1,726	129,002	20,304	34,989	56,756	-3,878	20,874	20,902	21,043	20,817	64,701
95,500	0,227	0,846	1,375	0,278	0,020	0,141	1,739	128,995	20,263	34,988	39,529	-6,616	20,877	20,901	21,046	20,817	64,695

Pellematic 56_cat IV_run 1_191209_2 underlag till rådata PDF.DAT

Category: IV

	1103	1108	1109	130	230	101	102	1	2	3	6	7	8	11	
Mättid	T3 inlet load side	T2 inlet boiler	T1 outlet boiler	Flow load side	Flow boiler side	Heat output load side	Heat output boiler	CO chimney	CO2 chimney	O2 chimney	Pstat	Pdyn	Tunnel velocity	Våg	Tidpunkt
Minuter	°C	°C	°C	m³/h	m³/h	W	W	ppm	%	%	Pa	Pa	m/s	kg	Klockan
86,167	42,915	53,560	72,942	2,214	2,464	55726,718	54769,359	64,689	15,740	4,843	11,127	55,120	9,585	955,662	2019-12-09 14:30
86,500	42,929	53,547	72,938	2,213	2,464	55685,888	54784,987	51,229	15,562	5,103	11,205	54,924	9,568	955,662	2019-12-09 14:30
86,834	42,943	53,559	72,953	2,214	2,464	55660,423	54793,883	47,546	15,553	4,748	11,092	55,331	9,603	955,476	2019-12-09 14:31
87,167	42,957	53,563	72,899	2,217	2,467	55692,600	54705,706	56,143	15,916	4,384	11,074	54,526	9,533	955,347	2019-12-09 14:31
87,500	42,979	53,570	72,893	2,214	2,462	55568,522	54551,722	54,835	16,435	4,203	11,078	55,384	9,608	955,347	2019-12-09 14:31
87,834	43,011	53,580	73,019	2,217	2,465	55573,553	54960,068	49,653	16,145	4,354	11,148	54,959	9,571	955,348	2019-12-09 14:32
88,167	42,995	53,594	72,919	2,216	2,461	55694,211	54536,765	67,603	16,418	4,117	11,164	54,546	9,535	955,159	2019-12-09 14:32
88,500	42,963	53,601	72,996	2,216	2,466	55662,318	54838,788	48,641	15,867	4,240	11,237	54,802	9,557	955,159	2019-12-09 14:32
88,833	42,905	53,586	72,869	2,215	2,463	55857,891	54459,043	49,890	16,263	4,185	11,220	55,611	9,627	955,065	2019-12-09 14:33
89,167	42,863	53,557	73,026	2,218	2,467	55933,537	55081,668	50,454	16,203	4,278	11,348	55,277	9,598	955,065	2019-12-09 14:33
89,500	42,882	53,496	73,004	2,217	2,467	55854,928	55193,025	44,413	15,877	4,420	11,295	54,527	9,533	954,972	2019-12-09 14:33
89,833	42,894	53,527	72,884	2,215	2,462	55908,508	54646,763	42,758	15,543	4,618	11,223	55,092	9,582	954,972	2019-12-09 14:34
90,167	42,919	53,559	73,027	2,214	2,462	55823,339	54966,790	38,262	15,304	5,154	11,206	55,244	9,596	954,846	2019-12-09 14:34
90,500	42,933	53,563	73,116	2,216	2,464	55866,902	55241,404	40,488	15,858	4,768	11,135	54,672	9,546	954,752	2019-12-09 14:34
90,833	42,912	53,580	73,070	2,213	2,462	55876,416	55037,315	42,262	15,975	4,613	11,156	55,495	9,617	954,659	2019-12-09 14:35
91,167	42,888	53,575	72,963	2,213	2,462	55945,117	54740,848	44,239	15,602	4,505	11,129	54,658	9,544	954,659	2019-12-09 14:35
91,500	42,881	53,573	72,896	2,216	2,462	55911,727	54559,914	65,443	15,902	4,475	11,153	55,009	9,575	954,472	2019-12-09 14:35
91,833	42,877	53,528	72,799	2,216	2,462	55742,861	54416,016	71,210	16,264	4,294	11,207	55,072	9,581	954,565	2019-12-09 14:36
92,167	42,874	53,498	72,828	2,213	2,462	55623,085	54577,633	58,487	15,864	4,585	11,124	54,885	9,564	954,472	2019-12-09 14:36
92,500	42,874	53,484	72,613	2,213	2,461	55555,773	53980,619	42,859	15,612	4,606	11,215	54,974	9,572	954,347	2019-12-09 14:36
92,834	42,874	53,471	72,790	2,215	2,464	55462,003	54581,560	42,755	15,559	4,661	11,373	55,280	9,599	954,347	2019-12-09 14:37
93,167	42,896	53,464	72,782	2,214	2,464	55492,512	54578,531	46,773	15,679	4,839	11,210	54,728	9,551	954,159	2019-12-09 14:37
93,500	42,924	53,494	72,720	2,215	2,462	55523,070	54275,367	60,150	16,279	4,579	11,172	54,785	9,556	954,159	2019-12-09 14:37
93,834	42,943	53,523	72,821	2,213	2,464	55395,298	54526,236	53,167	16,114	4,304	11,200	55,195	9,591	954,160	2019-12-09 14:38
94,167	42,972	53,515	72,786	2,215	2,465	55354,069	54484,508	50,735	16,163	3,937	11,261	54,857	9,562	968,349	2019-12-09 14:38
94,500	42,974	53,529	72,656	2,214	2,463	55237,172	54015,958	49,290	15,329	4,785	11,413	55,693	9,634	988,838	2019-12-09 14:38
94,834	42,966	53,522	72,782	2,212	2,463	55197,912	54399,223	58,758	16,083	4,876	11,029	54,791	9,556	988,355	2019-12-09 14:39
95,167	42,975	53,537	72,781	2,213	2,466	55344,364	54431,163	50,218	16,058	4,427	11,122	54,683	9,547	983,066	2019-12-09 14:39
95,500	42,962	53,530	72,780	2,214	2,464	55404,725	54399,777	53,183	15,964	4,245	11,110	55,260	9,597	983,669	2019-12-09 14:39

Pellematic 56_cat IV_run 1_191209_2 underlag till rådata PDF.DAT

Category: IV

	301	302	304	305	306	308	317	1311	1312	1313	1314	1315	1316	1317	1318	1101	1102
Mättid	CO chimney	CO2 chimney	Pdyn	Pstat	Static pressure chimney	O2 chimney	Våg	Flue gas temp	Ambient	Flue gas at pitot	filter temp 1	filter temp 2	gas meter temp 1	gas meter temp 2	gasmeter temp ambient		T4 outlet load side
Minuter	VDC	VDC	VDC	VDC	VDC	VDC	VDC	°C	°C	°C	°C	°C	°C	°C	°C	°C	°C
95,833	0,218	0,835	1,385	0,279	0,024	0,153	1,739	129,000	20,246	35,090	17,272	23,823	20,875	20,912	21,054	20,818	64,721
96,167	0,226	0,854	1,380	0,278	0,022	0,136	1,737	129,019	20,263	34,966	16,771	32,869	20,869	20,898	21,058	20,818	64,584
96,500	0,218	0,856	1,373	0,279	0,020	0,134	1,737	129,043	20,265	34,995	19,475	24,325	20,878	20,915	21,051	20,821	64,587
96,833	0,216	0,842	1,373	0,282	0,018	0,145	1,735	128,990	20,289	34,898	16,162	23,419	20,890	20,906	21,056	20,821	64,536
97,167	0,216	0,808	1,375	0,279	0,017	0,177	1,736	128,920	20,312	34,846	27,268	23,442	20,882	20,896	21,065	20,819	64,531
97,500	0,214	0,817	1,382	0,280	0,021	0,167	1,735	128,914	20,338	34,865	22,209	24,955	20,885	20,891	21,049	20,820	64,465
97,833	0,214	0,824	1,385	0,281	0,016	0,161	1,733	128,947	20,308	34,943	21,512	23,391	20,898	20,910	21,056	20,828	64,437
98,167	0,219	0,825	1,376	0,281	0,019	0,160	1,732	128,941	20,235	34,984	24,865	24,058	20,895	20,908	21,056	20,825	64,449
98,500	0,217	0,819	1,376	0,280	0,021	0,165	1,731	128,930	20,297	35,008	24,424	24,856	20,893	20,916	21,058	20,829	64,399
98,833	0,214	0,824	1,380	0,279	0,015	0,161	1,730	128,922	20,323	35,012	23,744	25,363	20,893	20,915	21,053	20,827	64,309
99,167	0,217	0,838	1,370	0,279	0,021	0,149	1,730	128,914	20,290	35,058	24,468	24,011	20,900	20,921	21,059	20,831	64,207
99,500	0,220	0,838	1,374	0,277	0,019	0,148	1,728	128,878	20,305	35,140	25,308	23,858	20,914	20,912	21,062	20,831	64,155
99,834	0,218	0,828	1,383	0,284	0,017	0,158	1,728	128,882	20,241	35,030	25,121	26,056	20,895	20,910	21,051	20,828	64,132
100,167	0,217	0,843	1,361	0,282	0,019	0,145	1,725	128,894	20,297	34,987	23,562	25,391	20,907	20,924	21,060	20,832	64,096
100,500	0,213	0,820	1,381	0,282	0,014	0,165	1,724	128,849	20,332	34,883	24,287	22,439	20,904	20,914	21,055	20,832	64,057
100,834	0,215	0,815	1,380	0,281	0,021	0,169	1,724	128,835	20,381	34,871	25,265	25,446	20,897	20,913	21,058	20,831	63,928
101,167	0,215	0,819	1,374	0,283	0,019	0,165	1,724	128,795	20,421	35,002	26,769	24,496	20,917	20,918	21,065	20,837	63,854
101,500	0,219	0,815	1,376	0,279	0,020	0,168	1,723	128,734	20,392	34,901	25,872	25,212	20,904	20,916	21,054	20,831	63,756
101,834	0,218	0,811	1,372	0,283	0,013	0,173	1,720	128,695	20,343	34,940	25,210	24,576	20,904	20,912	21,058	20,836	63,756
102,167	0,220	0,816	1,380	0,279	0,022	0,168	1,719	128,689	20,306	34,992	26,543	71,549	20,903	20,918	21,062	20,838	63,687
102,500	0,219	0,798	1,382	0,279	0,020	0,184	1,720	128,639	20,290	34,947	26,636	24,808	20,911	20,918	21,075	20,840	63,659
102,833	0,216	0,818	1,367	0,282	0,021	0,167	1,720	128,601	20,335	34,878	25,578	23,937	20,916	20,916	21,071	20,842	63,666
103,167	0,217	0,818	1,375	0,279	0,020	0,166	1,718	128,573	20,337	34,842	25,522	24,499	20,903	20,915	21,052	20,841	63,586
103,500	0,221	0,840	1,376	0,279	0,020	0,148	1,716	128,583	20,328	34,816	26,984	24,263	20,903	20,913	21,069	20,839	63,556
103,833	0,217	0,836	1,375	0,283	0,017	0,150	1,715	128,567	20,317	34,949	26,428	26,533	20,920	20,917	21,069	20,843	63,458
104,167	0,218	0,833	1,372	0,282	0,020	0,154	1,715	128,550	20,270	34,930	25,337	24,677	20,909	20,917	21,064	20,845	63,445
104,500	0,218	0,825	1,367	0,285	0,017	0,160	1,713	128,512	20,292	34,913	22,811	23,801	20,921	20,919	21,065	20,848	63,427
104,833	0,218	0,814	1,379	0,279	0,017	0,170	1,712	128,492	20,299	34,918	25,464	23,322	20,925	20,911	21,063	20,845	63,418
105,167	0,218	0,825	1,386	0,280	0,020	0,160	1,711	128,508	20,300	35,029	26,246	25,174	20,921	20,913	21,056	20,847	63,368

Pellematic 56_cat IV_run 1_191209_2 underlag till rådata PDF.DAT

Category: IV

	1103	1108	1109	130	230	101	102	1	2	3	6	7	8	11	
Mättid	T3 inlet load side	T2 inlet boiler	T1 outlet boiler	Flow load side	Flow boiler side	Heat output load side	Heat output boiler	CO chimney	CO2 chimney	O2 chimney	Pstat	Pdyn	Tunnel velocity	Våg	Tidpunkt
Minuter	°C	°C	°C	m³/h	m³/h	W	W	ppm	%	%	Pa	Pa	m/s	kg	Klockan
95,833	42,724	53,543	72,799	2,214	2,463	56080,056	54400,547	50,314	15,899	4,589	11,144	55,465	9,615	983,670	2019-12-09 14:40
96,167	42,419	53,413	72,872	2,214	2,464	56517,215	54986,450	84,809	16,711	4,082	11,101	54,883	9,564	983,577	2019-12-09 14:40
96,500	42,143	53,225	72,916	2,213	2,464	57192,081	55635,927	47,058	16,440	4,009	11,153	54,973	9,572	983,576	2019-12-09 14:40
96,833	42,071	53,091	72,809	2,212	2,465	57217,277	55761,879	41,057	15,908	4,346	11,275	55,269	9,598	983,350	2019-12-09 14:41
97,167	42,008	53,044	72,884	2,211	2,462	57364,338	56025,927	42,267	15,034	5,295	11,170	54,797	9,557	983,377	2019-12-09 14:41
97,500	41,957	52,997	72,825	2,216	2,470	57434,456	56168,102	42,428	15,748	5,024	11,184	55,423	9,611	983,486	2019-12-09 14:41
97,833	42,016	52,952	72,672	2,214	2,462	57174,159	55690,525	39,490	15,750	4,840	11,233	55,057	9,579	983,254	2019-12-09 14:42
98,167	41,992	52,971	72,752	2,208	2,460	57107,991	55829,295	53,641	15,449	4,812	11,225	55,148	9,587	983,254	2019-12-09 14:42
98,500	41,868	52,955	72,721	2,212	2,462	57404,906	55830,462	37,386	15,274	4,959	11,201	55,397	9,609	983,160	2019-12-09 14:42
98,833	41,685	52,851	72,585	2,214	2,463	57702,079	55766,512	42,900	15,634	4,826	11,161	55,150	9,587	983,065	2019-12-09 14:43
99,167	41,742	52,744	72,448	2,213	2,462	57253,074	55651,382	49,223	16,234	4,466	11,174	54,570	9,537	983,065	2019-12-09 14:43
99,500	41,788	52,712	72,459	2,212	2,460	56969,998	55735,448	49,302	15,808	4,442	11,082	54,999	9,574	982,974	2019-12-09 14:43
99,834	41,911	52,739	72,448	2,213	2,462	56629,581	55665,546	43,084	15,599	4,728	11,368	54,935	9,569	982,974	2019-12-09 14:44
100,167	41,913	52,751	72,411	2,211	2,464	56495,138	55565,429	46,421	16,084	4,362	11,270	54,481	9,529	982,752	2019-12-09 14:44
100,500	41,736	52,759	72,255	2,213	2,461	56888,334	55047,152	32,927	15,501	4,965	11,273	55,552	9,622	982,752	2019-12-09 14:44
100,834	41,491	52,646	72,171	2,211	2,462	57145,140	55145,731	40,993	15,350	5,076	11,227	55,233	9,595	982,752	2019-12-09 14:45
101,167	41,392	52,499	72,181	2,213	2,461	57264,117	55573,428	41,393	15,271	4,962	11,322	54,934	9,569	982,753	2019-12-09 14:45
101,500	41,377	52,372	71,961	2,212	2,464	57027,940	55376,614	55,171	15,342	5,049	11,144	55,065	9,580	982,659	2019-12-09 14:45
101,834	41,305	52,357	72,094	2,214	2,464	57249,339	55798,588	53,335	15,510	5,194	11,307	54,926	9,568	982,473	2019-12-09 14:46
102,167	41,295	52,333	72,040	2,213	2,464	57079,226	55702,313	45,870	15,303	5,030	11,178	55,072	9,581	982,347	2019-12-09 14:46
102,500	41,404	52,295	72,012	2,211	2,464	56693,113	55736,934	47,291	14,715	5,509	11,171	55,260	9,597	982,474	2019-12-09 14:46
102,833	41,441	52,320	71,921	2,211	2,463	56612,091	55399,803	46,528	15,466	4,995	11,276	54,407	9,523	982,473	2019-12-09 14:47
103,167	41,426	52,317	71,907	2,212	2,462	56453,065	55334,241	53,348	15,890	4,992	11,164	55,015	9,576	982,347	2019-12-09 14:47
103,500	41,436	52,301	71,796	2,213	2,464	56383,783	55106,732	43,964	15,959	4,429	11,166	55,478	9,616	982,252	2019-12-09 14:47
103,833	41,486	52,293	71,666	2,212	2,460	55993,647	54682,305	43,859	15,786	4,505	11,331	54,805	9,557	982,158	2019-12-09 14:48
104,167	41,477	52,283	71,738	2,210	2,462	55932,955	54952,189	53,160	15,670	4,621	11,290	54,818	9,558	982,158	2019-12-09 14:48
104,500	41,372	52,240	71,657	2,214	2,465	56234,807	54922,127	45,847	15,700	4,806	11,404	54,945	9,569	982,045	2019-12-09 14:48
104,833	41,410	52,202	71,597	2,214	2,462	56114,606	54783,763	43,615	15,416	5,104	11,166	55,164	9,589	981,972	2019-12-09 14:49
105,167	41,532	52,234	71,655	2,213	2,462	55664,174	54860,966	48,784	15,527	4,791	11,218	55,468	9,615	981,973	2019-12-09 14:49

Pellematic 56_cat IV_run 1_191209_2 underlag till rådata PDF.DAT

Category: IV

	301	302	304	305	306	308	317	1311	1312	1313	1314	1315	1316	1317	1318	1101	1102
Mättid	CO chimney	CO2 chimney	Pdyn	Pstat	Static pressure chimney	O2 chimney	Våg	Flue gas temp	Ambient	Flue gas at pitot	filter temp 1	filter temp 2	gas meter temp 1	gas meter temp 2	gasmeter temp ambient		T4 outlet load side
Minuter	VDC	VDC	VDC	VDC	VDC	VDC	VDC	°C	°C	°C	°C	°C	°C	°C	°C	°C	°C
105,500	0,219	0,838	1,385	0,278	0,025	0,149	1,709	128,476	20,261	34,989	26,904	25,446	20,921	20,922	21,065	20,851	63,358
105,833	0,218	0,830	1,377	0,281	0,021	0,157	1,709	128,457	20,267	34,894	27,149	27,283	20,921	20,921	21,060	20,853	63,331
106,167	0,220	0,808	1,380	0,286	0,025	0,176	1,707	128,404	20,265	34,870	25,491	23,877	20,927	20,923	21,074	20,856	63,278
106,500	0,222	0,809	1,383	0,280	0,021	0,174	1,707	128,370	20,156	34,953	23,817	31,276	20,917	20,920	21,067	20,851	63,180
106,834	0,223	0,818	1,385	0,281	0,024	0,166	1,706	128,365	20,238	34,982	26,982	25,501	20,924	20,921	21,068	20,855	63,131
107,167	0,220	0,831	1,385	0,284	0,012	0,157	1,705	128,295	20,257	34,816	23,982	26,193	20,925	20,928	21,062	20,853	63,065
107,500	0,217	0,812	1,380	0,283	0,015	0,170	1,704	128,262	20,285	34,852	23,622	23,379	20,919	20,916	21,056	20,853	63,024
107,834	0,218	0,833	1,375	0,278	0,014	0,152	1,704	128,294	20,308	34,903	51,850	52,061	20,923	20,923	21,059	20,859	63,032
108,167	0,219	0,838	1,365	0,280	0,019	0,149	1,701	128,291	20,269	34,915	39,661	42,415	20,932	20,927	21,069	20,867	63,005
108,500	0,217	0,810	1,364	0,283	0,035	0,176	1,702	128,225	20,313	34,794	72,891	107,893	20,925	20,923	21,063	20,860	62,961
108,834	0,216	0,787	1,365	0,280	0,021	0,193	1,701	128,129	20,305	34,735	13,524	12,063	20,925	20,918	21,064	20,859	62,976
109,167	0,214	0,782	1,367	0,285	0,021	0,198	1,699	128,091	20,331	34,782	22,014	11,287	20,930	20,929	21,066	20,867	63,012
109,500	0,220	0,807	1,385	0,281	0,036	0,175	1,697	128,075	20,341	34,909	24,410	21,647	20,937	20,915	21,067	20,865	62,977
109,833	0,216	0,803	1,384	0,282	0,021	0,180	1,698	127,999	20,286	34,875	24,569	25,071	20,936	20,923	21,068	20,863	62,957
110,167	0,213	0,792	1,383	0,282	0,018	0,189	1,696	127,977	20,303	34,827	26,851	18,147	20,930	20,911	21,068	20,863	62,884
110,500	0,217	0,823	1,375	0,278	0,016	0,160	1,696	127,975	20,271	34,874	32,222	10,382	20,929	20,913	21,062	20,863	62,858
110,833	0,223	0,846	1,378	0,280	0,017	0,141	1,694	127,981	20,343	34,911	28,518	24,218	20,941	20,931	21,067	20,871	62,832
111,167	0,222	0,856	1,373	0,277	0,019	0,134	1,694	127,991	20,276	34,887	28,764	23,497	20,926	20,922	21,063	20,866	62,804
111,500	0,222	0,849	1,371	0,277	0,019	0,139	1,691	128,014	20,324	34,835	39,509	24,438	20,950	20,924	21,076	20,871	62,786
111,833	0,219	0,830	1,370	0,285	0,023	0,157	1,691	127,991	20,329	34,813	29,127	25,672	20,931	20,914	21,063	20,867	62,777
112,167	0,217	0,818	1,378	0,281	0,033	0,167	1,689	127,947	20,350	34,870	29,245	25,983	20,942	20,924	21,060	20,869	62,788
112,500	0,217	0,819	1,379	0,282	0,013	0,166	1,688	127,948	20,328	34,942	26,325	28,954	20,941	20,921	21,057	20,870	62,702
112,834	0,215	0,820	1,378	0,280	0,017	0,165	1,689	127,904	20,335	34,768	28,270	26,508	20,941	20,919	21,059	20,868	62,741
113,167	0,214	0,804	1,377	0,281	0,017	0,178	1,687	127,886	20,383	34,770	24,877	25,069	20,944	20,920	21,066	20,869	62,675
113,500	0,215	0,818	1,377	0,281	0,023	0,167	1,686	127,885	20,309	34,717	28,368	25,962	20,942	20,934	21,069	20,872	62,673
113,834	0,214	0,816	1,629	0,281	0,013	0,169	1,684	127,862	20,304	34,829	26,141	20,519	20,943	20,933	21,075	20,873	62,630
114,167	0,214	0,799	2,521	0,278	0,020	0,183	1,684	127,824	20,266	34,877	26,441	23,172	20,948	20,922	21,074	20,875	62,656
114,500	0,217	0,826	2,670	0,280	0,016	0,158	1,683	127,892	20,324	34,939	23,555	21,056	20,953	20,930	21,067	20,873	62,673
114,834	0,221	0,858	2,688	0,279	0,018	0,131	1,681	127,925	20,313	34,782	26,569	22,354	20,960	20,926	21,074	20,876	62,668

Pellematic 56_cat IV_run 1_191209_2 underlag till rådata PDF.DAT

Category: IV

	1103	1108	1109	130	230	101	102	1	2	3	6	7	8	11	
Mättid	T3 inlet load side	T2 inlet boiler	T1 outlet boiler	Flow load side	Flow boiler side	Heat output load side	Heat output boiler	CO chimney	CO2 chimney	O2 chimney	Pstat	Pdyn	Tunnel velocity	Våg	Tidpunkt
Minuter	°C	°C	°C	m³/h	m³/h	W	W	ppm	%	%	Pa	Pa	m/s	kg	Klockan
105,500	41,524	52,250	71,599	2,214	2,460	55681,022	54616,118	50,667	15,874	4,477	11,118	55,390	9,608	981,751	2019-12-09 14:49
105,833	41,454	52,237	71,434	2,214	2,464	55791,601	54259,674	50,785	15,910	4,702	11,256	55,018	9,576	981,750	2019-12-09 14:50
106,167	41,390	52,195	71,381	2,213	2,464	55788,737	54233,564	53,145	14,988	5,269	11,423	55,228	9,594	981,752	2019-12-09 14:50
106,500	41,319	52,141	71,336	2,210	2,462	55651,488	54220,655	52,383	15,211	5,212	11,191	55,357	9,605	981,658	2019-12-09 14:50
106,834	41,258	52,080	71,363	2,216	2,462	55827,700	54470,848	69,135	15,356	4,973	11,242	55,339	9,604	981,564	2019-12-09 14:51
107,167	41,339	52,021	71,251	2,212	2,464	55346,686	54362,715	46,851	15,782	4,698	11,359	55,271	9,598	981,564	2019-12-09 14:51
107,500	41,371	52,017	71,181	2,214	2,461	55223,396	54120,463	45,437	15,403	5,115	11,302	54,921	9,567	981,473	2019-12-09 14:51
107,834	41,262	52,020	71,186	2,211	2,462	55457,983	54152,249	44,681	15,744	4,564	11,133	54,994	9,574	981,474	2019-12-09 14:52
108,167	41,222	51,985	71,126	2,210	2,460	55458,766	54030,511	47,976	15,825	4,469	11,202	54,544	9,535	981,253	2019-12-09 14:52
108,500	41,252	51,941	71,276	2,210	2,460	55266,881	54583,319	45,189	15,120	5,269	11,336	54,691	9,547	981,349	2019-12-09 14:52
108,834	41,400	51,937	71,260	2,213	2,460	54994,315	54547,298	43,849	14,689	5,798	11,209	54,480	9,529	981,253	2019-12-09 14:53
109,167	41,386	52,017	71,107	2,210	2,462	55053,415	53938,584	36,486	14,280	5,946	11,419	54,952	9,570	981,159	2019-12-09 14:53
109,500	41,396	52,038	70,990	2,214	2,463	55039,565	53564,666	51,901	15,296	5,246	11,232	55,452	9,614	981,065	2019-12-09 14:53
109,833	41,343	52,033	71,054	2,210	2,459	55027,015	53670,082	40,762	14,940	5,402	11,297	55,162	9,588	981,065	2019-12-09 14:54
110,167	41,263	51,948	70,910	2,210	2,465	55043,519	53625,039	34,359	14,918	5,674	11,275	55,544	9,621	980,974	2019-12-09 14:54
110,500	41,174	51,929	71,057	2,211	2,464	55234,481	54070,801	42,515	15,630	4,798	11,131	54,951	9,570	980,974	2019-12-09 14:54
110,833	41,094	51,873	70,942	2,211	2,463	55363,213	53900,383	68,508	16,174	4,232	11,182	55,129	9,585	980,848	2019-12-09 14:55
111,167	41,176	51,827	70,962	2,208	2,462	55009,030	54064,386	58,617	16,545	4,030	11,070	54,911	9,567	980,847	2019-12-09 14:55
111,500	41,198	51,836	70,890	2,209	2,459	54921,835	53752,229	62,293	16,203	4,180	11,098	54,722	9,550	980,659	2019-12-09 14:55
111,833	41,179	51,832	70,843	2,210	2,465	54984,971	53777,853	43,007	15,461	4,704	11,395	54,763	9,554	980,660	2019-12-09 14:56
112,167	41,186	51,863	70,733	2,210	2,466	54995,404	53392,721	43,304	15,329	4,997	11,233	55,348	9,604	980,565	2019-12-09 14:56
112,500	41,180	51,835	70,853	2,210	2,464	54791,728	53770,568	51,565	15,708	4,982	11,272	55,096	9,583	980,565	2019-12-09 14:56
112,834	41,169	51,829	70,742	2,207	2,460	54849,019	53390,911	41,406	15,502	4,961	11,198	55,344	9,604	980,565	2019-12-09 14:57
113,167	41,125	51,785	70,803	2,213	2,469	54935,292	53882,491	38,960	14,897	5,328	11,256	54,947	9,570	980,348	2019-12-09 14:57
113,500	41,011	51,768	70,671	2,210	2,465	55154,294	53459,404	41,090	15,376	4,999	11,257	55,163	9,588	980,348	2019-12-09 14:57
113,834	40,955	51,726	70,820	2,210	2,463	55182,938	53978,896	39,481	15,406	5,082	11,258	75,272	11,201	980,253	2019-12-09 14:58
114,167	41,095	51,689	70,738	2,210	2,465	54893,519	53890,614	38,398	15,022	5,489	11,112	104,153	13,175	980,253	2019-12-09 14:58
114,500	41,047	51,752	70,771	2,209	2,462	55021,447	53730,805	41,418	15,840	4,748	11,200	107,136	13,363	980,159	2019-12-09 14:58
114,834	40,887	51,728	70,779	2,209	2,465	55421,937	53898,423	49,971	16,274	3,922	11,150	107,609	13,392	980,065	2019-12-09 14:59

Pellematic 56_cat IV_run 1_191209_2 underlag till rådata PDF.DAT

Category: IV

	301	302	304	305	306	308	317	1311	1312	1313	1314	1315	1316	1317	1318	1101	1102
Mättid	CO chimney	CO2 chimney	Pdyn	Pstat	Static pressure chimney	O2 chimney	Våg	Flue gas temp	Ambient	Flue gas at pitot	filter temp 1	filter temp 2	gas meter temp 1	gas meter temp 2	gasmeter temp ambient		T4 outlet load side
Minuter	VDC	VDC	VDC	VDC	VDC	VDC	VDC	°C	°C	°C	°C	°C	°C	°C	°C	°C	°C
115,167	0,219	0,857	2,690	0,280	0,019	0,134	1,680	127,910	20,322	34,940	27,076	24,578	20,951	20,927	21,069	20,877	62,623
115,500	0,221	0,848	2,275	0,281	0,017	0,140	1,679	127,916	20,345	35,003	25,391	23,907	20,952	20,934	21,078	20,882	62,549
115,833	0,226	0,851	1,445	0,191	0,011	0,136	1,679	127,900	20,372	34,940	28,156	25,152	20,952	20,938	21,070	20,882	62,581
116,167	0,226	0,851	1,354	0,166	0,016	0,137	1,676	127,903	20,366	34,853	29,181	24,909	20,952	20,926	21,076	20,878	62,567
116,500	0,222	0,859	1,337	0,167	0,016	0,131	1,676	127,960	20,338	34,954	27,065	24,560	20,945	20,922	21,069	20,877	62,603
116,833	0,222	0,845	1,331	0,164	0,013	0,144	1,675	127,937	20,330	34,900	25,245	23,427	20,945	20,922	21,068	20,877	62,628
117,167	0,220	0,826	1,327	0,165	0,013	0,159	1,673	127,916	20,309	34,893	26,224	23,672	20,949	20,934	21,076	20,877	62,651
117,500	0,217	0,814	1,325	0,166	0,018	0,170	1,673	127,894	20,323	34,783	26,437	25,993	20,947	20,932	21,062	20,879	62,713
117,833	0,219	0,800	1,321	0,168	0,014	0,183	1,671	127,834	20,298	34,761	27,071	26,923	20,959	20,930	21,067	20,882	62,720
118,167	0,219	0,809	1,326	0,166	0,018	0,174	1,670	127,840	20,310	34,769	27,681	26,963	20,953	20,938	21,071	20,883	62,691
118,500	0,218	0,812	1,334	0,165	0,023	0,170	1,668	127,840	20,336	34,898	28,770	26,994	20,954	20,929	21,066	20,881	62,602
118,833	0,220	0,837	1,334	0,166	0,022	0,150	1,668	127,840	20,359	34,950	27,278	25,816	20,953	20,928	21,078	20,882	62,560
119,167	0,219	0,840	1,331	0,168	0,014	0,148	1,667	127,880	20,366	34,910	24,470	23,316	20,948	20,929	21,055	20,879	62,556
119,500	0,221	0,846	1,322	0,168	0,011	0,141	1,666	127,908	20,307	34,785	25,873	26,331	20,953	20,927	21,063	20,881	62,529
119,834	0,221	0,838	1,330	0,166	0,015	0,150	1,666	127,889	20,214	34,836	26,863	26,631	20,955	20,943	21,060	20,885	62,602
120,167	0,221	0,825	1,335	0,168	0,013	0,158	1,663	127,892	20,173	34,876	25,229	24,210	20,957	20,941	21,069	20,885	62,589
120,500	0,218	0,849	1,337	0,169	0,016	0,141	1,664	127,915	20,193	34,788	28,403	25,747	20,947	20,936	21,072	20,888	62,666
120,834	0,215	0,812	1,327	0,167	0,010	0,173	1,663	127,897	20,166	34,781	25,049	23,475	20,957	20,923	21,062	20,885	62,687
121,167	0,217	0,828	1,327	0,168	0,019	0,157	1,661	127,914	20,164	34,830	26,405	26,894	20,960	20,932	21,057	20,887	62,683
121,500	0,216	0,827	1,335	0,167	0,015	0,159	1,659	127,887	20,176	34,811	26,695	25,025	20,953	20,928	21,066	20,885	62,681
121,834	0,215	0,811	1,334	0,167	0,018	0,174	1,658	127,862	20,161	34,934	25,922	24,700	20,959	20,940	21,066	20,889	62,677
122,167	0,217	0,814	1,333	0,169	0,013	0,170	1,659	127,849	20,208	34,900	31,200	19,837	20,962	20,934	21,072	20,890	62,689
122,500	0,220	0,800	1,331	0,168	0,018	0,182	1,657	127,802	20,233	34,806	30,082	-2,507	20,964	20,929	21,069	20,887	62,675
122,833	0,220	0,804	1,332	0,169	0,018	0,179	1,656	127,762	20,257	34,616	31,876	-5,037	20,956	20,928	21,072	20,887	62,744
123,167	0,216	0,798	1,333	0,166	0,016	0,184	1,654	127,709	20,258	34,805	30,693	-2,373	20,957	20,936	21,073	20,891	62,761
123,500	0,217	0,809	1,333	0,166	0,009	0,173	1,654	127,714	20,267	34,940	-23,574	-4996,800	20,955	20,932	21,076	20,891	62,789
123,833	0,220	0,834	1,336	0,164	0,017	0,150	1,652	127,747	20,266	35,042	25,650	21,016	20,952	20,929	21,066	20,890	62,833
124,167	0,230	0,858	1,344	0,165	0,014	0,129	1,650	127,822	20,194	35,050	23,914	21,014	20,959	20,931	21,077	20,892	62,878
124,500	0,234	0,875	1,334	0,167	0,018	0,118	1,650	127,868	20,250	34,939	28,968	21,029	20,970	20,934	21,077	20,896	62,916

Pellematic 56_cat IV_run 1_191209_2 underlag till rådata PDF.DAT

Category: IV

	1103	1108	1109	130	230	101	102	1	2	3	6	7	8	11	
Mättid	T3 inlet load side	T2 inlet boiler	T1 outlet boiler	Flow load side	Flow boiler side	Heat output load side	Heat output boiler	CO chimney	CO2 chimney	O2 chimney	Pstat	Pdyn	Tunnel velocity	Våg	Tidpunkt
Minuter	°C	°C	°C	m³/h	m³/h	W	W	ppm	%	%	Pa	Pa	m/s	kg	Klockan
115,167	40,896	51,659	70,684	2,206	2,459	55211,550	53678,275	53,334	16,451	4,014	11,206	107,579	13,390	979,975	2019-12-09 14:59
115,500	41,006	51,621	70,627	2,209	2,462	54811,343	53690,830	57,912	16,425	4,207	11,225	74,425	11,137	979,848	2019-12-09 14:59
115,833	41,140	51,679	70,630	2,210	2,462	54586,847	53540,302	63,928	16,263	4,088	7,648	55,449	9,613	979,848	2019-12-09 15:00
116,167	41,131	51,703	70,673	2,211	2,463	54608,140	53611,528	66,823	16,101	4,122	6,636	54,171	9,502	979,753	2019-12-09 15:00
116,500	41,009	51,736	70,718	2,206	2,461	54871,431	53608,090	61,348	16,688	3,942	6,675	53,234	9,419	979,754	2019-12-09 15:00
116,833	40,924	51,710	70,833	2,205	2,462	55141,109	54024,598	53,551	16,041	4,309	6,561	53,301	9,425	979,660	2019-12-09 15:01
117,167	41,006	51,676	70,864	2,211	2,463	55121,343	54243,163	51,398	15,366	4,775	6,589	53,000	9,399	979,567	2019-12-09 15:01
117,500	41,127	51,727	70,859	2,206	2,459	54841,652	53978,950	45,250	15,143	5,095	6,655	52,900	9,390	979,566	2019-12-09 15:01
117,833	41,113	51,792	70,874	2,206	2,460	54919,341	53873,455	55,091	15,071	5,484	6,733	52,982	9,397	979,350	2019-12-09 15:02
118,167	40,923	51,781	70,840	2,208	2,464	55383,994	53886,613	46,277	15,453	5,230	6,640	52,980	9,397	979,346	2019-12-09 15:02
118,500	40,831	51,696	70,801	2,209	2,462	55397,663	53969,021	49,950	15,342	5,104	6,600	53,364	9,431	979,251	2019-12-09 15:02
118,833	40,820	51,612	70,744	2,209	2,464	55319,999	54104,799	54,841	15,769	4,490	6,640	53,486	9,442	979,251	2019-12-09 15:03
119,167	40,756	51,581	70,776	2,209	2,465	55473,439	54294,735	54,657	16,066	4,445	6,724	53,212	9,417	979,157	2019-12-09 15:03
119,500	40,812	51,538	70,730	2,206	2,464	55189,138	54259,332	68,084	16,509	4,235	6,701	52,751	9,376	979,062	2019-12-09 15:03
119,834	40,806	51,585	70,877	2,207	2,463	55432,524	54535,323	49,819	15,667	4,489	6,658	53,028	9,401	979,062	2019-12-09 15:04
120,167	40,839	51,607	70,880	2,211	2,466	55410,195	54537,041	59,908	15,658	4,749	6,720	53,461	9,439	978,844	2019-12-09 15:04
120,500	41,054	51,643	70,879	2,207	2,462	54951,820	54344,675	48,038	16,234	4,236	6,770	53,398	9,434	978,971	2019-12-09 15:04
120,834	41,123	51,736	70,847	2,210	2,464	54910,294	54032,955	39,037	15,271	5,179	6,689	53,279	9,423	978,844	2019-12-09 15:05
121,167	41,082	51,777	70,862	2,211	2,464	55022,893	53954,797	45,774	15,866	4,712	6,720	53,212	9,417	978,750	2019-12-09 15:05
121,500	41,176	51,790	70,814	2,206	2,462	54642,944	53742,551	43,171	15,372	4,776	6,662	53,798	9,469	978,656	2019-12-09 15:05
121,834	41,292	51,819	70,815	2,207	2,464	54373,842	53700,812	40,073	15,423	5,211	6,677	53,237	9,420	978,656	2019-12-09 15:06
122,167	41,353	51,886	70,898	2,210	2,461	54310,824	53690,705	49,466	15,420	5,111	6,763	53,229	9,419	978,657	2019-12-09 15:06
122,500	41,452	51,876	70,858	2,211	2,467	54057,174	53738,675	53,070	14,884	5,456	6,714	53,243	9,420	978,562	2019-12-09 15:06
122,833	41,569	51,957	70,819	2,209	2,464	53872,308	53334,191	55,752	14,952	5,365	6,741	53,193	9,416	978,471	2019-12-09 15:07
123,167	41,593	52,047	70,730	2,212	2,465	53919,972	52842,420	40,483	15,017	5,521	6,644	53,327	9,428	978,345	2019-12-09 15:07
123,500	41,729	52,072	70,815	2,211	2,462	53637,610	52951,891	47,951	15,510	5,200	6,621	53,233	9,419	978,345	2019-12-09 15:07
123,833	41,927	52,133	70,750	2,211	2,465	53240,472	52661,666	54,664	16,018	4,504	6,543	53,384	9,433	978,250	2019-12-09 15:08
124,167	42,065	52,248	70,735	2,210	2,467	52968,770	52322,782	94,643	16,362	3,880	6,606	53,788	9,468	978,153	2019-12-09 15:08
124,500	42,167	52,364	70,658	2,210	2,464	52808,641	51713,600	76,045	16,874	3,535	6,670	53,544	9,447	978,062	2019-12-09 15:08

Pellematic 56_cat IV_run 1_191209_2 underlag till rådata PDF.DAT

Category: IV

	301	302	304	305	306	308	317	1311	1312	1313	1314	1315	1316	1317	1318	1101	1102
Mättid	CO chimney	CO2 chimney	Pdyn	Pstat	Static pressure chimney	O2 chimney	Våg	Flue gas temp	Ambient	Flue gas at pitot	filter temp 1	filter temp 2	gas meter temp 1	gas meter temp 2	gasmeter temp ambient		T4 outlet load side
Minuter	VDC	VDC	VDC	VDC	VDC	VDC	VDC	°C	°C	°C	°C	°C	°C	°C	°C	°C	°C
124,833	0,223	0,851	1,327	0,168	0,019	0,139	1,649	127,841	20,286	34,912	27,257	21,027	20,964	20,931	21,072	20,896	62,922
125,167	0,220	0,811	1,324	0,167	0,014	0,174	1,648	127,792	20,247	34,927	6,028	21,036	20,962	20,935	21,081	20,898	62,974
125,500	0,215	0,812	1,325	0,167	0,018	0,171	1,648	127,755	20,275	34,738	62,662	21,055	20,965	20,935	21,076	20,898	63,010
125,833	0,220	0,818	1,324	0,167	0,017	0,166	1,645	127,746	20,312	34,846	32,625	21,058	20,965	20,939	21,074	20,901	63,116
126,167	0,225	0,828	1,325	0,166	0,020	0,159	1,644	127,770	20,300	34,872	-88,038	21,063	20,966	20,941	21,078	20,903	63,162
126,500	0,221	0,823	1,337	0,164	0,018	0,161	1,644	127,793	20,281	34,782	-4995,829	21,073	20,957	20,932	21,077	20,897	63,237
126,834	0,226	0,844	1,331	0,167	0,010	0,143	1,643	127,802	20,270	34,896	-4988,955	21,062	20,954	20,931	21,072	20,898	63,296
127,167	0,221	0,837	1,331	0,166	0,013	0,150	1,641	127,815	20,228	34,791	21,098	21,062	20,952	20,938	21,070	20,896	63,394
127,500	0,223	0,825	1,315	0,165	0,021	0,161	1,640	127,833	20,220	34,788	21,128	21,063	20,969	20,933	21,066	20,896	63,446
127,834	0,221	0,851	1,332	0,167	0,017	0,137	1,639	127,913	20,232	34,774	21,155	21,049	20,966	20,940	21,076	20,899	63,435
128,167	0,220	0,868	1,323	0,166	0,016	0,123	1,638	127,972	20,318	34,838	21,160	21,036	20,956	20,969	21,070	20,899	63,517
128,500	0,230	0,867	1,331	0,167	0,015	0,125	1,636	128,040	20,293	34,813	21,170	21,044	20,957	20,976	21,076	20,900	63,564
128,834	0,224	0,850	1,328	0,165	0,011	0,140	1,634	128,046	20,286	34,910	21,172	21,045	20,962	20,984	21,072	20,899	63,627
129,167	0,217	0,823	1,323	0,166	0,016	0,162	1,634	128,043	20,315	34,963	21,178	21,025	20,966	20,985	21,078	20,900	63,647
129,500	0,217	0,848	1,331	0,165	0,013	0,139	1,633	128,092	20,322	34,947	21,174	21,026	20,965	20,984	21,069	20,901	63,747
129,833	0,221	0,847	1,319	0,167	0,014	0,141	1,632	128,168	20,265	34,860	21,179	21,027	20,973	20,983	21,073	20,900	63,788
130,167	0,228	0,858	1,332	0,168	0,011	0,132	1,630	128,188	20,228	34,813	21,184	21,026	20,965	20,986	21,073	20,900	63,833
130,500	0,235	0,854	1,334	0,167	0,013	0,135	1,628	128,234	20,214	34,953	21,631	21,209	20,956	20,975	21,082	20,902	63,907
130,833	0,221	0,836	1,332	0,168	0,014	0,152	1,627	128,230	20,300	34,949	22,021	21,459	20,947	20,969	21,080	20,902	63,965
131,167	0,218	0,825	1,319	0,168	0,018	0,160	1,627	128,249	20,284	34,824	22,254	21,569	20,935	20,959	21,083	20,899	64,008
131,500	0,218	0,830	1,333	0,167	0,018	0,155	1,625	128,232	20,246	34,840	22,405	21,663	20,942	20,945	21,087	20,900	64,063
131,833	0,218	0,824	1,339	0,166	0,018	0,161	1,625	128,243	20,226	34,921	22,528	21,727	20,925	20,929	21,085	20,899	64,193
132,167	0,219	0,840	1,323	0,168	0,021	0,147	1,624	128,266	20,234	34,983	22,624	21,812	20,922	20,933	21,081	20,900	64,200
132,500	0,217	0,817	1,332	0,168	0,024	0,169	1,623	128,279	20,266	34,962	22,707	21,868	20,926	20,942	21,093	20,902	64,220
132,833	0,219	0,808	1,343	0,170	0,016	0,176	1,621	128,324	20,142	34,915	22,791	21,908	20,912	20,942	21,108	20,902	64,290
133,167	0,217	0,821	1,333	0,166	0,012	0,163	1,620	128,320	20,231	34,933	22,843	21,950	20,920	20,925	21,104	20,899	64,238
133,500	0,217	0,822	1,325	0,168	0,013	0,161	1,619	128,351	20,294	34,987	22,918	21,995	20,911	20,917	21,117	20,902	64,258
133,834	0,219	0,834	1,327	0,165	0,016	0,152	1,617	128,343	20,263	34,951	22,961	22,027	20,912	20,920	21,132	20,898	64,305
134,167	0,219	0,824	1,336	0,167	0,019	0,161	1,616	128,362	20,298	34,907	23,001	22,062	20,907	20,917	21,151	20,901	64,286

Pellematic 56_cat IV_run 1_191209_2 underlag till rådata PDF.DAT

Category: IV

	1103	1108	1109	130	230	101	102	1	2	3	6	7	8	11	
Mättid	T3 inlet load side	T2 inlet boiler	T1 outlet boiler	Flow load side	Flow boiler side	Heat output load side	Heat output boiler	CO chimney	CO2 chimney	O2 chimney	Pstat	Pdyn	Tunnel velocity	Våg	Tidpunkt
Minuter	°C	°C	°C	m³/h	m³/h	W	W	ppm	%	%	Pa	Pa	m/s	kg	Klockan
124,833	42,148	52,406	70,891	2,209	2,465	52833,607	52272,127	57,943	16,176	4,176	6,714	52,970	9,396	978,062	2019-12-09 15:09
125,167	42,208	52,414	70,822	2,209	2,463	52812,461	52005,904	53,174	15,099	5,210	6,693	52,682	9,370	977,971	2019-12-09 15:09
125,500	42,309	52,438	70,920	2,210	2,465	52677,764	52255,251	41,743	15,310	5,120	6,670	52,906	9,390	977,971	2019-12-09 15:09
125,833	42,420	52,545	70,861	2,210	2,465	52662,151	51796,715	58,608	15,635	4,984	6,662	52,931	9,392	977,845	2019-12-09 15:10
126,167	42,505	52,648	71,100	2,207	2,465	52497,391	52182,643	67,553	15,827	4,777	6,625	53,043	9,402	977,750	2019-12-09 15:10
126,500	42,604	52,706	71,186	2,210	2,462	52499,787	52184,280	52,239	15,779	4,836	6,572	53,607	9,452	977,768	2019-12-09 15:10
126,834	42,676	52,746	71,297	2,210	2,467	52468,289	52500,439	73,632	16,032	4,276	6,670	53,155	9,412	977,657	2019-12-09 15:11
127,167	42,609	52,847	71,221	2,212	2,467	52930,389	51998,026	57,420	15,993	4,491	6,645	53,038	9,402	977,563	2019-12-09 15:11
127,500	42,570	52,869	71,220	2,211	2,465	53147,137	51892,730	58,328	15,628	4,837	6,591	52,349	9,341	977,471	2019-12-09 15:11
127,834	42,527	52,846	71,497	2,210	2,464	53203,343	52711,419	51,440	16,598	4,098	6,661	53,628	9,454	977,348	2019-12-09 15:12
128,167	42,710	52,859	71,397	2,211	2,467	52974,592	52449,004	57,120	16,615	3,688	6,657	52,500	9,354	977,347	2019-12-09 15:12
128,500	42,813	52,929	71,535	2,212	2,465	52832,403	52614,180	68,586	16,539	3,746	6,667	53,219	9,418	977,228	2019-12-09 15:12
128,834	42,798	53,036	71,398	2,211	2,466	53030,713	51945,126	60,043	16,192	4,197	6,617	53,025	9,401	977,065	2019-12-09 15:13
129,167	42,890	53,058	71,617	2,213	2,469	52878,401	52554,437	43,090	15,516	4,871	6,655	53,065	9,404	977,064	2019-12-09 15:13
129,500	42,925	53,131	71,658	2,210	2,466	52975,817	52393,582	43,047	16,047	4,172	6,613	52,758	9,377	977,064	2019-12-09 15:13
129,833	42,951	53,170	71,570	2,212	2,462	53048,660	51950,991	58,870	16,223	4,233	6,682	53,001	9,399	976,973	2019-12-09 15:14
130,167	42,945	53,192	71,732	2,212	2,467	53178,782	52461,156	91,247	16,587	3,965	6,711	53,323	9,427	976,846	2019-12-09 15:14
130,500	42,919	53,217	71,918	2,210	2,467	53401,216	52906,398	78,841	16,544	4,048	6,665	53,262	9,422	976,752	2019-12-09 15:14
130,833	42,916	53,267	71,941	2,213	2,469	53621,359	52871,506	49,969	15,663	4,551	6,717	53,317	9,427	976,658	2019-12-09 15:15
131,167	42,866	53,274	72,026	2,212	2,466	53826,548	53033,500	48,200	15,675	4,804	6,716	52,941	9,393	976,659	2019-12-09 15:15
131,500	42,928	53,241	72,006	2,209	2,466	53738,592	53078,933	54,660	15,974	4,649	6,673	53,686	9,459	976,565	2019-12-09 15:15
131,833	42,967	53,322	72,206	2,210	2,465	54001,860	53375,400	46,271	15,581	4,835	6,648	53,354	9,430	976,564	2019-12-09 15:16
132,167	42,969	53,396	72,285	2,211	2,466	54051,835	53408,308	51,475	15,955	4,412	6,701	52,856	9,386	976,474	2019-12-09 15:16
132,500	42,973	53,376	72,280	2,209	2,464	54023,534	53415,460	43,920	15,154	5,060	6,735	53,470	9,440	976,348	2019-12-09 15:16
132,833	42,902	53,409	72,324	2,210	2,464	54422,108	53447,749	53,180	15,568	5,282	6,784	53,569	9,449	976,253	2019-12-09 15:17
133,167	42,900	53,388	72,251	2,213	2,464	54360,203	53298,665	47,557	15,617	4,903	6,622	52,992	9,398	976,253	2019-12-09 15:17
133,500	43,244	53,384	72,359	2,211	2,467	53495,376	53686,880	44,319	15,472	4,835	6,710	53,150	9,412	976,159	2019-12-09 15:17
133,834	43,278	53,552	72,154	2,211	2,465	53522,658	52586,852	50,559	15,844	4,567	6,607	53,161	9,413	976,065	2019-12-09 15:18
134,167	43,108	53,580	72,207	2,210	2,471	53880,764	52768,820	52,169	15,644	4,822	6,694	53,153	9,412	975,974	2019-12-09 15:18

Pellematic 56_cat IV_run 1_191209_2 underlag till rådata PDF.DAT

Category: IV

	301	302	304	305	306	308	317	1311	1312	1313	1314	1315	1316	1317	1318	1101	1102
Mättid	CO chimney	CO2 chimney	Pdyn	Pstat	Static pressure chimney	O2 chimney	Våg	Flue gas temp	Ambient	Flue gas at pitot	filter temp 1	filter temp 2	gas meter temp 1	gas meter temp 2	gasmeter temp ambient		T4 outlet load side
Minuter	VDC	VDC	VDC	VDC	VDC	VDC	VDC	°C	°C	°C	°C	°C	°C	°C	°C	°C	°C
134,500	0,219	0,833	1,327	0,167	0,016	0,153	1,615	128,402	20,356	34,915	23,056	22,092	20,918	20,917	21,160	20,900	64,283
134,834	0,220	0,840	1,331	0,167	0,021	0,146	1,614	128,385	20,316	34,904	23,106	22,665	20,912	20,918	21,174	20,899	64,310
135,167	0,222	0,852	1,325	0,166	0,022	0,137	1,614	128,380	20,326	35,017	23,151	22,837	20,920	20,916	21,194	20,902	64,353
135,500	0,224	0,840	1,337	0,166	0,014	0,149	1,611	128,418	20,362	35,076	23,196	22,938	20,924	20,915	21,224	20,901	64,408
135,834	0,228	0,853	1,335	0,167	0,010	0,136	1,611	128,466	20,328	35,018	23,336	23,011	20,909	20,900	21,237	20,899	64,398
136,167	0,231	0,854	1,334	0,167	0,018	0,135	1,611	128,499	20,303	35,038	23,528	23,078	20,914	20,913	21,271	20,901	64,449
136,500	0,228	0,842	1,326	0,169	0,013	0,145	1,609	128,517	20,307	34,941	23,713	23,118	20,911	20,905	21,305	20,901	64,561
136,833	0,225	0,830	1,341	0,169	0,019	0,156	1,607	128,543	20,253	34,786	23,928	23,187	20,914	20,904	21,332	20,902	64,658
137,167	0,219	0,810	1,324	0,167	0,021	0,174	1,605	128,489	20,264	34,850	24,068	23,214	20,923	20,903	21,358	20,903	64,705
137,500	0,219	0,812	1,333	0,167	0,022	0,171	1,606	128,402	20,307	34,634	24,216	23,259	20,922	20,898	21,392	20,900	64,726
137,833	0,218	0,817	1,335	0,167	0,034	0,167	1,604	128,350	20,315	34,621	24,302	23,306	20,903	20,898	21,422	20,901	64,748
138,167	0,220	0,857	1,335	0,167	0,017	0,133	1,603	128,375	20,335	34,796	24,483	23,341	20,910	20,895	21,459	20,901	64,691
138,500	0,219	0,855	1,328	0,166	0,009	0,135	1,602	128,391	20,321	34,891	24,565	23,381	20,914	20,898	21,499	20,905	64,590
138,833	0,219	0,837	1,333	0,168	0,021	0,149	1,601	128,391	20,266	34,871	24,617	23,409	20,916	20,916	21,541	20,904	64,570
139,167	0,224	0,845	1,326	0,168	0,023	0,142	1,599	128,425	20,299	34,717	24,665	23,467	20,922	20,909	21,578	20,905	64,602
139,500	0,238	0,867	1,321	0,167	0,023	0,124	1,599	128,449	20,322	34,730	24,703	23,492	20,923	20,908	21,619	20,902	64,638
139,833	0,226	0,862	1,328	0,168	0,017	0,129	1,597	128,433	20,304	34,723	24,732	23,516	20,916	20,922	21,662	20,904	64,717
140,167	0,218	0,843	1,328	0,168	0,015	0,145	1,596	128,413	20,379	34,775	24,779	23,544	20,928	20,912	21,711	20,904	64,681
140,500	0,216	0,835	1,336	0,167	0,012	0,152	1,596	128,530	20,421	34,951	24,837	23,588	20,932	20,909	21,759	20,906	64,700
140,834	0,220	0,826	1,330	0,167	0,009	0,161	1,594	128,623	20,388	35,017	24,878	23,641	20,931	20,910	21,811	20,905	64,707
141,167	0,227	0,814	1,324	0,167	0,016	0,171	1,593	128,717	20,372	35,002	24,917	23,668	20,932	20,916	21,853	20,906	64,737
141,500	0,222	0,823	1,337	0,167	0,015	0,161	1,592	128,777	20,402	35,149	24,968	23,707	20,937	20,925	21,907	20,910	64,767
141,834	0,220	0,853	1,332	0,165	0,016	0,134	1,592	128,842	20,370	35,162	25,008	23,743	20,935	20,924	21,965	20,908	64,871
142,167	0,221	0,871	1,329	0,167	0,015	0,121	1,589	128,918	20,364	35,152	25,074	23,777	20,940	20,929	22,017	20,907	64,840
142,500	0,220	0,854	1,324	0,167	0,017	0,137	1,589	128,959	20,385	35,068	25,086	23,820	20,947	20,930	22,067	20,908	64,854
142,834	0,219	0,830	1,321	0,168	0,016	0,155	1,587	128,993	20,402	35,123	25,140	23,834	20,951	20,926	22,134	20,908	64,830
143,167	0,225	0,846	1,338	0,166	0,022	0,142	1,586	129,075	20,431	35,226	25,184	23,873	20,951	20,930	22,188	20,910	64,889
143,500	0,221	0,823	1,333	0,166	0,021	0,165	1,584	129,079	20,463	35,217	25,222	23,902	20,952	20,934	22,236	20,908	64,914
143,833	0,224	0,806	1,322	0,167	0,012	0,177	1,584	129,083	20,457	35,264	25,263	23,920	20,964	20,938	22,296	20,907	64,944

Pellematic 56_cat IV_run 1_191209_2 underlag till rådata PDF.DAT

Category: IV

	1103	1108	1109	130	230	101	102	1	2	3	6	7	8	11	
Mättid	T3 inlet load side	T2 inlet boiler	T1 outlet boiler	Flow load side	Flow boiler side	Heat output load side	Heat output boiler	CO chimney	CO2 chimney	O2 chimney	Pstat	Pdyn	Tunnel velocity	Våg	Tidpunkt
Minuter	°C	°C	°C	m³/h	m³/h	W	W	ppm	%	%	Pa	Pa	m/s	kg	Klockan
134,500	43,163	53,515	72,280	2,213	2,465	53801,870	53050,413	51,901	16,192	4,594	6,678	53,144	9,411	975,884	2019-12-09 15:18
134,834	43,430	53,544	72,241	2,212	2,466	53151,058	52881,783	49,634	15,930	4,390	6,699	53,295	9,425	975,848	2019-12-09 15:19
135,167	43,401	53,659	72,242	2,211	2,466	53332,868	52548,531	70,570	16,375	4,108	6,658	52,924	9,392	975,848	2019-12-09 15:19
135,500	43,232	53,673	72,314	2,213	2,467	53941,735	52733,119	61,766	16,164	4,456	6,649	53,543	9,447	975,660	2019-12-09 15:19
135,834	43,137	53,631	72,382	2,210	2,469	54093,403	53080,231	75,819	16,469	4,092	6,669	53,296	9,425	975,660	2019-12-09 15:20
136,167	43,235	53,603	72,558	2,210	2,462	53970,249	53518,286	78,518	16,229	4,062	6,675	53,314	9,426	975,660	2019-12-09 15:20
136,500	43,459	53,636	72,662	2,209	2,466	53645,590	53794,524	76,992	15,989	4,358	6,743	53,244	9,420	975,566	2019-12-09 15:20
136,833	43,540	53,807	72,561	2,210	2,465	53717,486	53011,199	61,453	15,687	4,690	6,759	53,580	9,450	975,345	2019-12-09 15:21
137,167	43,673	53,908	72,571	2,212	2,467	53535,788	52790,344	51,641	15,286	5,222	6,696	52,807	9,381	975,250	2019-12-09 15:21
137,500	43,667	53,983	72,700	2,210	2,465	53571,509	52908,032	48,871	15,315	5,144	6,667	53,466	9,440	975,345	2019-12-09 15:21
137,833	43,320	53,957	72,593	2,210	2,467	54510,533	52713,066	48,487	15,310	4,996	6,695	53,138	9,411	975,156	2019-12-09 15:22
138,167	43,002	53,815	72,634	2,210	2,465	55180,944	53196,972	54,738	16,745	3,982	6,670	53,465	9,440	975,156	2019-12-09 15:22
138,500	42,991	53,653	72,660	2,213	2,467	55025,687	53773,019	50,354	16,454	4,038	6,658	53,075	9,405	975,061	2019-12-09 15:22
138,833	43,005	53,592	72,748	2,209	2,460	54832,161	54042,587	49,301	15,830	4,478	6,725	53,436	9,437	975,062	2019-12-09 15:23
139,167	43,046	53,585	72,680	2,213	2,467	54915,520	54022,159	68,477	16,050	4,256	6,724	52,915	9,391	974,843	2019-12-09 15:23
139,500	43,101	53,627	72,719	2,211	2,465	54828,272	53975,129	118,683	16,611	3,711	6,666	53,096	9,407	974,844	2019-12-09 15:23
139,833	42,978	53,690	72,619	2,209	2,466	55276,039	53522,737	55,579	16,464	3,872	6,737	53,050	9,403	974,844	2019-12-09 15:24
140,167	42,962	53,644	72,835	2,210	2,465	55261,075	54257,410	42,816	15,999	4,341	6,711	53,175	9,414	974,749	2019-12-09 15:24
140,500	42,969	53,630	72,825	2,210	2,468	55292,719	54317,110	43,494	15,761	4,560	6,662	53,229	9,419	974,749	2019-12-09 15:24
140,834	42,940	53,626	72,845	2,210	2,471	55384,602	54465,020	57,034	15,575	4,821	6,678	53,113	9,409	974,655	2019-12-09 15:25
141,167	43,294	53,639	72,759	2,211	2,467	54575,557	54077,159	73,476	15,489	5,126	6,674	52,939	9,393	974,562	2019-12-09 15:25
141,500	43,570	53,822	72,776	2,209	2,467	53895,980	53616,708	56,521	15,713	4,828	6,681	53,794	9,469	974,470	2019-12-09 15:25
141,834	43,541	53,980	72,871	2,207	2,466	54193,643	53406,098	51,476	16,196	4,009	6,581	53,437	9,437	974,470	2019-12-09 15:26
142,167	43,319	53,961	72,874	2,210	2,462	54748,803	53393,002	55,470	16,825	3,629	6,694	53,216	9,418	974,344	2019-12-09 15:26
142,500	43,328	53,877	73,000	2,209	2,464	54729,056	54019,588	56,932	16,309	4,109	6,688	53,005	9,399	974,249	2019-12-09 15:26
142,834	43,374	53,885	72,960	2,209	2,467	54548,710	53954,052	50,656	15,806	4,650	6,727	52,971	9,396	974,155	2019-12-09 15:27
143,167	43,305	53,897	73,100	2,210	2,468	54909,126	54332,813	67,711	16,246	4,249	6,645	53,492	9,442	974,155	2019-12-09 15:27
143,500	43,248	53,889	73,000	2,210	2,467	55125,448	54051,840	52,488	15,228	4,948	6,623	53,065	9,404	973,970	2019-12-09 15:27
143,833	43,276	53,881	73,008	2,209	2,465	55087,108	54070,177	70,263	15,266	5,312	6,662	52,798	9,381	973,970	2019-12-09 15:28

Pellematic 56_cat IV_run 1_191209_2 underlag till rådata PDF.DAT

Category: IV

	301	302	304	305	306	308	317	1311	1312	1313	1314	1315	1316	1317	1318	1101	1102
Mättid	CO chimney	CO2 chimney	Pdyn	Pstat	Static pressure chimney	O2 chimney	Våg	Flue gas temp	Ambient	Flue gas at pitot	filter temp 1	filter temp 2	gas meter temp 1	gas meter temp 2	gasmeter temp ambient		T4 outlet load side
Minuter	VDC	VDC	VDC	VDC	VDC	VDC	VDC	°C	°C	°C	°C	°C	°C	°C	°C	°C	°C
144,167	0,231	0,813	1,332	0,167	0,016	0,170	1,584	129,111	20,360	35,248	25,296	23,943	20,950	20,929	22,364	20,907	64,969
144,565	0,227	0,815	1,333	0,169	0,019	0,168	1,583	129,159	20,276	35,261	25,319	23,971	20,968	20,941	22,435	20,908	64,975
144,833	0,224	0,803	1,337	0,166	0,019	0,179	1,581	129,164	20,314	35,213	25,345	23,998	20,967	20,930	22,486	20,909	64,930
145,167	0,218	0,821	1,326	0,165	0,020	0,165	1,580	129,229	20,365	35,355	25,375	24,039	20,974	20,943	22,548	20,912	64,923
145,500	0,220	0,815	1,338	0,166	0,016	0,168	1,579	129,235	20,343	35,216	25,398	24,046	20,973	20,932	22,611	20,912	64,893
145,833	0,217	0,803	1,330	0,168	0,011	0,179	1,577	129,252	20,287	35,207	25,422	24,052	20,976	20,947	22,677	20,913	64,887
146,167	0,221	0,820	1,331	0,167	0,013	0,164	1,577	129,283	20,276	35,254	25,424	24,077	20,970	20,935	22,736	20,908	64,917
146,500	0,225	0,814	1,330	0,167	0,018	0,169	1,577	129,323	20,361	35,280	25,456	24,116	20,979	20,944	22,815	20,912	64,900
146,834	0,232	0,828	1,329	0,167	0,017	0,158	1,576	129,330	20,385	35,243	25,465	24,131	20,975	20,944	22,877	20,912	64,876
147,167	0,227	0,812	1,330	0,164	0,018	0,171	1,574	129,327	20,402	35,306	25,493	24,154	20,982	20,951	22,933	20,910	64,943
147,500	0,225	0,825	1,329	0,166	0,013	0,161	1,573	129,357	20,383	35,489	25,530	24,199	20,981	20,944	23,013	20,911	64,961
147,834	0,225	0,824	1,327	0,167	0,015	0,161	1,571	129,416	20,223	35,433	25,546	24,219	20,984	20,952	23,067	20,911	65,045
148,167	0,226	0,837	1,321	0,167	0,017	0,150	1,571	129,463	20,305	35,418	25,563	24,241	20,978	20,953	23,133	20,908	65,109
148,500	0,221	0,821	1,326	0,168	0,020	0,164	1,569	129,485	20,273	35,378	25,575	24,270	20,975	20,949	23,187	20,910	65,082
148,834	0,221	0,830	1,333	0,167	0,011	0,156	1,568	129,518	20,295	35,444	25,609	24,289	20,981	20,949	23,271	20,910	65,006
149,167	0,222	0,841	1,329	0,168	0,011	0,147	1,568	129,547	20,311	35,532	25,633	24,331	20,977	20,951	23,336	20,912	64,886
149,500	0,219	0,835	1,321	0,165	0,016	0,153	1,565	129,571	20,265	35,504	25,652	24,337	20,984	20,955	23,408	20,910	64,914
149,833	0,221	0,824	1,327	0,166	0,021	0,161	1,565	129,559	20,318	35,531	25,680	24,374	20,987	20,966	23,470	20,911	64,955
150,167	0,223	0,824	1,331	0,166	0,021	0,161	1,563	129,560	20,353	35,461	25,686	24,385	20,982	20,961	23,545	20,908	64,908
150,500	0,220	0,819	1,329	0,167	0,016	0,166	1,563	129,546	20,333	35,299	25,671	24,408	20,984	20,959	23,613	20,910	64,940
150,833	0,221	0,801	1,338	0,167	0,015	0,182	1,563	129,528	20,350	35,355	25,691	24,411	20,982	20,964	23,670	20,909	64,971
151,167	0,228	0,813	1,329	0,169	0,015	0,170	1,561	129,533	20,364	35,258	25,708	24,434	20,986	20,964	23,747	20,911	65,006
151,500	0,227	0,825	1,333	0,169	0,011	0,161	1,560	129,551	20,372	35,211	25,738	24,429	20,986	20,977	23,817	20,913	64,995
151,833	0,228	0,816	1,327	0,166	0,022	0,168	1,559	129,581	20,390	35,313	25,834	24,474	20,997	20,967	23,879	20,910	64,959
152,167	0,230	0,836	1,328	0,166	0,012	0,152	1,558	129,643	20,369	35,505	25,900	24,486	21,004	20,977	23,955	20,915	64,936
152,500	0,229	0,848	1,330	0,166	0,015	0,139	1,555	129,700	20,302	35,375	25,910	24,517	20,994	20,975	24,015	20,914	64,953
152,833	0,231	0,862	1,333	0,167	0,017	0,129	1,554	129,742	20,307	35,401	25,905	24,513	20,996	20,978	24,070	20,911	64,918
153,167	0,232	0,856	1,335	0,164	0,015	0,134	1,554	129,793	20,368	35,468	25,953	24,544	20,991	20,966	24,139	20,909	64,920
153,500	0,246	0,870	1,338	0,166	0,015	0,122	1,553	129,823	20,387	35,611	25,976	24,567	20,995	20,983	24,195	20,909	64,949

Pellematic 56_cat IV_run 1_191209_2 underlag till rådata PDF.DAT

Category: IV

	1103	1108	1109	130	230	101	102	1	2	3	6	7	8	11	
Mättid	T3 inlet load side	T2 inlet boiler	T1 outlet boiler	Flow load side	Flow boiler side	Heat output load side	Heat output boiler	CO chimney	CO2 chimney	O2 chimney	Pstat	Pdyn	Tunnel velocity	Våg	Tidpunkt
Minuter	°C	°C	°C	m³/h	m³/h	W	W	ppm	%	%	Pa	Pa	m/s	kg	Klockan
144,167	43,293	53,906	73,158	2,209	2,465	55112,315	54424,658	80,390	15,471	5,099	6,662	53,332	9,428	973,970	2019-12-09 15:28
144,565	43,256	53,921	72,977	2,209	2,467	55235,641	53909,002	72,481	15,189	5,033	6,743	53,266	9,422	973,843	2019-12-09 15:28
144,833	43,249	53,910	72,913	2,205	2,464	55023,017	53691,301	59,622	14,974	5,367	6,646	53,554	9,448	973,749	2019-12-09 15:29
145,167	43,325	53,885	72,981	2,211	2,464	54962,651	53942,987	46,277	15,498	4,959	6,583	52,938	9,393	973,749	2019-12-09 15:29
145,500	43,331	53,891	72,867	2,206	2,464	54752,012	53606,980	50,421	15,633	5,035	6,648	53,518	9,444	973,655	2019-12-09 15:29
145,833	43,387	53,899	72,971	2,209	2,467	54659,120	53944,532	45,600	14,948	5,378	6,703	53,314	9,426	973,562	2019-12-09 15:30
146,167	43,332	53,940	72,886	2,212	2,467	54950,257	53594,314	57,932	15,428	4,927	6,673	53,172	9,414	973,562	2019-12-09 15:30
146,500	43,217	53,926	73,005	2,209	2,464	55130,984	53907,701	76,766	15,469	5,073	6,688	53,316	9,427	973,562	2019-12-09 15:30
146,834	43,183	53,828	72,899	2,211	2,466	55225,044	53936,721	79,589	15,594	4,748	6,666	53,033	9,402	973,470	2019-12-09 15:31
147,167	43,157	53,828	73,062	2,207	2,465	55356,958	54372,702	68,297	15,263	5,130	6,573	52,702	9,372	973,346	2019-12-09 15:31
147,500	43,380	53,863	73,159	2,207	2,460	54835,431	54432,847	65,377	15,512	4,832	6,641	53,313	9,426	973,251	2019-12-09 15:31
147,834	43,642	53,959	73,147	2,208	2,467	54387,654	54270,112	73,072	15,637	4,825	6,687	53,133	9,410	973,157	2019-12-09 15:32
148,167	43,594	54,130	73,193	2,208	2,466	54677,856	53887,583	75,868	16,076	4,488	6,679	52,481	9,352	973,157	2019-12-09 15:32
148,500	43,315	54,113	73,064	2,209	2,464	55343,131	53533,479	53,327	15,363	4,921	6,731	53,036	9,402	973,063	2019-12-09 15:32
148,834	43,280	53,974	72,943	2,209	2,466	55240,661	53623,802	55,556	15,731	4,668	6,661	53,353	9,430	972,972	2019-12-09 15:33
149,167	43,426	53,928	72,898	2,207	2,467	54514,926	53658,877	61,209	16,130	4,398	6,703	53,261	9,422	972,972	2019-12-09 15:33
149,500	43,365	53,944	73,031	2,206	2,464	54722,817	53915,570	52,823	15,835	4,593	6,614	52,799	9,381	972,752	2019-12-09 15:33
149,833	43,222	53,953	72,920	2,207	2,465	55220,488	53615,359	56,433	15,750	4,819	6,647	52,972	9,396	972,751	2019-12-09 15:34
150,167	43,208	53,886	73,133	2,209	2,467	55172,288	54446,391	58,702	15,500	4,832	6,637	53,258	9,421	972,657	2019-12-09 15:34
150,500	43,311	53,876	73,071	2,210	2,467	55023,400	54296,448	58,678	15,317	4,992	6,693	53,085	9,406	972,658	2019-12-09 15:34
150,833	43,378	53,930	73,055	2,207	2,467	54861,868	54100,182	60,144	15,361	5,453	6,681	53,391	9,433	972,658	2019-12-09 15:35
151,167	43,360	53,975	73,077	2,209	2,469	55033,928	54072,318	64,660	15,349	5,095	6,770	53,164	9,413	972,564	2019-12-09 15:35
151,500	43,291	53,985	73,016	2,209	2,469	55181,642	53870,080	57,116	15,356	4,827	6,741	53,146	9,412	972,472	2019-12-09 15:35
151,833	43,258	53,940	73,101	2,207	2,466	55138,228	54170,111	80,035	15,384	5,035	6,653	53,029	9,401	972,346	2019-12-09 15:36
152,167	43,260	53,908	73,108	2,209	2,467	55106,541	54306,149	80,074	16,346	4,547	6,627	52,773	9,378	972,347	2019-12-09 15:36
152,500	43,238	53,902	72,994	2,209	2,465	55210,393	53972,018	68,038	16,312	4,157	6,648	53,311	9,426	972,252	2019-12-09 15:36
152,833	43,189	53,887	73,066	2,207	2,466	55212,036	54229,154	69,153	16,428	3,859	6,679	53,195	9,416	972,158	2019-12-09 15:37
153,167	43,176	53,869	73,047	2,210	2,466	55319,147	54216,188	90,402	16,380	4,007	6,547	53,246	9,420	972,064	2019-12-09 15:37
153,500	43,220	53,859	73,120	2,207	2,466	55208,190	54461,689	143,281	16,885	3,660	6,622	53,856	9,474	972,064	2019-12-09 15:37

Pellematic 56_cat IV_run 1_191209_2 underlag till rådata PDF.DAT

Category: IV

	301	302	304	305	306	308	317	1311	1312	1313	1314	1315	1316	1317	1318	1101	1102
Mättid	CO chimney	CO2 chimney	Pdyn	Pstat	Static pressure chimney	O2 chimney	Våg	Flue gas temp	Ambient	Flue gas at pitot	filter temp 1	filter temp 2	gas meter temp 1	gas meter temp 2	gasmeter temp ambient		T4 outlet load side
Minuter	VDC	VDC	VDC	VDC	VDC	VDC	VDC	°C	°C	°C	°C	°C	°C	°C	°C	°C	°C
153,834	0,227	0,838	1,337	0,167	0,023	0,150	1,552	129,828	20,296	35,425	25,985	24,584	20,998	20,974	24,260	20,909	64,987
154,167	0,232	0,828	1,333	0,167	0,016	0,157	1,550	129,832	20,295	35,421	25,992	24,582	20,997	20,978	24,324	20,908	65,050
154,500	0,225	0,815	1,321	0,168	0,018	0,169	1,550	129,819	20,336	35,273	26,012	24,606	21,005	20,979	24,407	20,913	65,131
154,834	0,226	0,822	1,317	0,167	0,012	0,163	1,548	129,833	20,276	35,434	26,024	24,632	21,006	20,993	24,473	20,911	65,184
155,167	0,229	0,845	1,335	0,166	0,018	0,144	1,547	129,856	20,343	35,447	26,044	24,638	21,003	20,992	24,545	20,910	65,162
155,500	0,231	0,834	1,334	0,166	0,015	0,152	1,546	129,862	20,334	35,429	26,057	24,651	21,011	20,990	24,607	20,910	65,097
155,834	0,229	0,832	1,341	0,169	0,014	0,154	1,545	129,876	20,362	35,389	26,073	24,649	21,004	20,987	24,666	20,907	65,142
156,167	0,228	0,820	1,330	0,168	0,012	0,166	1,544	129,867	20,324	35,494	26,092	24,677	21,008	20,995	24,738	20,910	65,119
156,500	0,224	0,827	1,336	0,168	0,018	0,159	1,543	129,895	20,339	35,447	26,102	24,689	21,018	21,004	24,811	20,912	65,096
156,833	0,221	0,832	1,331	0,169	0,014	0,154	1,542	129,865	20,341	35,333	26,099	24,691	21,010	21,003	24,879	20,908	65,069
157,167	0,222	0,821	1,315	0,166	0,018	0,163	1,540	129,872	20,360	35,454	26,124	24,706	21,021	21,005	24,948	20,913	65,091
157,500	0,223	0,810	1,315	0,169	0,017	0,174	1,539	129,836	20,355	35,457	26,127	24,697	21,011	21,010	25,002	20,909	65,147
157,833	0,223	0,810	1,329	0,168	0,017	0,173	1,538	129,853	20,353	35,461	26,146	24,720	21,018	21,003	25,081	20,910	65,153
158,167	0,220	0,819	1,329	0,167	0,020	0,165	1,537	129,840	20,367	35,356	26,146	24,735	21,008	21,008	25,155	20,910	65,145
158,500	0,222	0,806	1,343	0,166	0,019	0,177	1,536	129,818	20,368	35,355	26,139	24,742	21,009	21,013	25,212	20,906	65,150
158,833	0,224	0,825	1,333	0,166	0,018	0,161	1,536	129,834	20,389	35,443	26,156	24,745	21,010	21,016	25,268	20,905	65,137
159,167	0,226	0,816	1,329	0,167	0,020	0,168	1,533	129,876	20,376	35,503	26,190	24,776	21,019	21,024	25,348	20,910	65,171
159,500	0,225	0,830	1,320	0,166	0,020	0,155	1,532	129,923	20,400	35,554	26,210	24,774	21,023	21,018	25,417	20,909	65,126
159,833	0,241	0,853	1,333	0,167	0,018	0,135	1,532	129,969	20,340	35,506	26,209	24,788	21,021	21,026	25,485	20,907	65,098
160,167	0,229	0,846	1,334	0,169	0,018	0,142	1,531	130,010	20,380	35,398	26,207	24,799	21,015	21,022	25,550	20,905	65,008
160,500	0,224	0,835	1,321	0,168	0,019	0,152	1,530	130,051	20,381	35,461	26,229	24,808	21,027	21,033	25,612	20,907	64,999
160,834	0,229	0,843	1,330	0,168	0,014	0,144	1,529	130,056	20,428	35,391	26,236	24,809	21,029	21,029	25,678	20,905	64,968
161,167	0,232	0,834	1,338	0,169	0,014	0,153	1,528	130,067	20,429	35,340	26,237	24,807	21,016	21,039	25,745	20,910	64,916
161,500	0,227	0,842	1,326	0,167	0,017	0,145	1,528	130,075	20,326	35,445	26,261	24,820	21,024	21,035	25,810	20,909	64,923
161,834	0,223	0,841	1,319	0,168	0,017	0,149	1,525	130,074	20,364	35,450	26,266	24,820	21,023	21,037	25,877	20,906	64,908
162,167	0,223	0,839	1,333	0,167	0,019	0,147	1,523	130,109	20,306	35,425	26,261	24,841	21,026	21,046	25,936	20,907	64,973
162,500	0,222	0,830	1,321	0,168	0,017	0,155	1,522	130,118	20,333	35,372	26,270	24,855	21,035	21,048	25,996	20,909	64,959
162,834	0,219	0,816	1,323	0,167	0,012	0,169	1,522	130,056	20,337	35,387	26,281	24,852	21,024	21,056	26,054	20,909	64,974
163,167	0,220	0,817	1,321	0,167	0,021	0,168	1,521	130,071	20,362	35,450	26,284	24,862	21,025	21,048	26,128	20,910	64,946

Pellematic 56_cat IV_run 1_191209_2 underlag till rådata PDF.DAT

Category: IV

	1103	1108	1109	130	230	101	102	1	2	3	6	7	8	11	
Mättid	T3 inlet load side	T2 inlet boiler	T1 outlet boiler	Flow load side	Flow boiler side	Heat output load side	Heat output boiler	CO chimney	CO2 chimney	O2 chimney	Pstat	Pdyn	Tunnel velocity	Våg	Tidpunkt
Minuter	°C	°C	°C	m³/h	m³/h	W	W	ppm	%	%	Pa	Pa	m/s	kg	Klockan
153,834	43,335	53,884	73,021	2,209	2,467	55050,517	54138,296	69,019	15,745	4,512	6,664	53,546	9,447	971,972	2019-12-09 15:38
154,167	43,531	53,979	73,122	2,210	2,467	54737,293	54140,033	81,006	15,847	4,698	6,660	53,098	9,407	971,846	2019-12-09 15:38
154,500	43,609	54,103	73,340	2,209	2,464	54711,908	54344,880	67,843	15,069	5,064	6,723	52,725	9,374	971,846	2019-12-09 15:38
154,834	43,436	54,152	73,255	2,209	2,467	55289,183	54035,070	70,212	15,668	4,898	6,685	52,924	9,392	971,752	2019-12-09 15:39
155,167	43,257	54,099	73,311	2,207	2,467	55658,603	54340,014	75,100	16,232	4,307	6,652	53,531	9,446	971,659	2019-12-09 15:39
155,500	43,337	53,999	73,299	2,206	2,465	55252,153	54555,949	78,448	15,905	4,549	6,658	53,415	9,435	971,612	2019-12-09 15:39
155,834	43,311	54,028	73,305	2,207	2,465	55470,659	54489,800	75,247	15,532	4,627	6,767	53,881	9,476	971,565	2019-12-09 15:40
156,167	43,195	54,013	73,328	2,209	2,467	55741,850	54634,819	68,847	15,557	4,971	6,736	53,051	9,403	971,474	2019-12-09 15:40
156,500	43,177	53,958	73,263	2,207	2,467	55695,868	54609,612	70,693	16,073	4,775	6,722	53,290	9,424	971,344	2019-12-09 15:40
156,833	43,202	53,944	73,193	2,208	2,465	55576,297	54412,144	53,908	15,635	4,635	6,746	53,381	9,432	971,345	2019-12-09 15:41
157,167	43,339	53,950	73,280	2,208	2,465	55288,475	54640,834	57,499	15,351	4,900	6,641	52,740	9,376	971,249	2019-12-09 15:41
157,500	43,422	54,014	73,172	2,207	2,465	55199,828	54154,953	58,953	15,210	5,222	6,771	52,845	9,385	971,155	2019-12-09 15:41
157,833	43,424	54,077	73,280	2,206	2,465	55176,144	54280,546	61,731	15,549	5,203	6,711	53,223	9,418	971,061	2019-12-09 15:42
158,167	43,421	54,095	73,313	2,207	2,466	55191,132	54325,496	54,759	15,408	4,962	6,688	53,251	9,421	971,061	2019-12-09 15:42
158,500	43,375	54,071	73,181	2,207	2,464	55326,752	53982,158	57,866	14,914	5,308	6,659	54,020	9,489	970,970	2019-12-09 15:42
158,833	43,344	54,058	73,357	2,207	2,470	55373,950	54652,884	63,997	15,635	4,831	6,644	53,047	9,403	970,970	2019-12-09 15:43
159,167	43,208	54,063	73,281	2,207	2,469	55812,429	54401,462	72,324	15,466	5,036	6,663	53,017	9,400	970,843	2019-12-09 15:43
159,500	42,908	53,981	73,355	2,206	2,466	56423,079	54770,204	65,921	15,951	4,652	6,644	52,663	9,369	970,748	2019-12-09 15:43
159,833	42,627	53,845	73,417	2,207	2,465	57109,091	55324,068	74,066	16,220	4,050	6,693	53,303	9,425	970,748	2019-12-09 15:44
160,167	42,434	53,649	73,444	2,207	2,472	57376,970	56123,275	76,600	16,048	4,268	6,750	53,503	9,443	970,655	2019-12-09 15:44
160,500	42,269	53,559	73,489	2,204	2,467	57702,833	56388,530	59,291	15,958	4,559	6,714	52,731	9,375	970,561	2019-12-09 15:44
160,834	42,155	53,468	73,405	2,206	2,467	57955,285	56412,075	83,378	16,210	4,316	6,732	53,090	9,407	970,469	2019-12-09 15:45
161,167	42,239	53,399	73,487	2,205	2,465	57574,979	56798,670	82,029	15,615	4,590	6,743	53,559	9,448	970,470	2019-12-09 15:45
161,500	42,333	53,413	73,380	2,207	2,460	57422,231	56339,262	68,260	16,254	4,353	6,668	53,068	9,405	970,469	2019-12-09 15:45
161,834	42,588	53,438	73,246	2,204	2,469	56650,743	56081,985	62,564	16,004	4,456	6,730	52,755	9,377	970,344	2019-12-09 15:46
162,167	42,925	53,578	73,100	2,207	2,467	56030,759	55230,189	61,453	16,111	4,411	6,689	53,317	9,427	970,155	2019-12-09 15:46
162,500	43,023	53,775	73,149	2,206	2,467	55714,834	54809,385	53,629	15,600	4,662	6,738	52,847	9,385	970,155	2019-12-09 15:46
162,834	42,980	53,826	73,145	2,207	2,466	55884,512	54616,531	50,464	15,213	5,068	6,689	52,726	9,374	970,155	2019-12-09 15:47
163,167	42,993	53,764	73,158	2,208	2,474	55802,631	55015,702	60,764	15,784	5,050	6,682	52,920	9,392	970,061	2019-12-09 15:47

Pellematic 56_cat IV_run 1_191209_2 underlag till rådata PDF.DAT

Category: IV

	301	302	304	305	306	308	317	1311	1312	1313	1314	1315	1316	1317	1318	1101	1102
Mättid	CO chimney	CO2 chimney	Pdyn	Pstat	Static pressure chimney	O2 chimney	Våg	Flue gas temp	Ambient	Flue gas at pitot	filter temp 1	filter temp 2	gas meter temp 1	gas meter temp 2	gasmeter temp ambient		T4 outlet load side
Minuter	VDC	VDC	VDC	VDC	VDC	VDC	VDC	°C	°C	°C	°C	°C	°C	°C	°C	°C	°C
163,500	0,223	0,817	1,336	0,169	0,013	0,167	1,520	130,051	20,365	35,366	26,293	24,871	21,039	21,056	26,178	20,914	64,977
163,833	0,219	0,807	1,336	0,167	0,008	0,175	1,520	130,034	20,347	35,371	26,302	24,872	21,036	21,069	26,244	20,911	64,977
164,167	0,220	0,809	1,334	0,169	0,020	0,175	1,517	129,990	20,293	35,314	26,303	24,856	21,032	21,059	26,300	20,910	64,914
164,500	0,224	0,801	1,328	0,169	0,011	0,182	1,517	129,994	20,204	35,312	26,309	24,876	21,032	21,057	26,363	20,908	64,984
164,833	0,230	0,823	1,328	0,167	0,019	0,161	1,516	130,013	20,229	35,375	26,327	24,875	21,039	21,061	26,421	20,908	65,054
165,167	0,228	0,832	1,318	0,168	0,013	0,155	1,514	129,985	20,271	35,285	26,313	24,885	21,035	21,054	26,475	20,906	65,028
165,500	0,227	0,794	1,329	0,169	0,015	0,188	1,514	129,938	20,278	35,310	26,331	24,871	21,043	21,070	26,538	20,910	64,918
165,833	0,224	0,806	1,324	0,168	0,014	0,178	1,513	129,916	20,274	35,366	26,337	24,885	21,056	21,067	26,598	20,908	64,895
166,167	0,221	0,820	1,334	0,168	0,014	0,165	1,512	129,927	20,272	35,419	26,344	24,896	21,046	21,073	26,653	20,908	64,890
166,500	0,223	0,827	1,316	0,169	0,018	0,158	1,510	129,930	20,336	35,340	26,343	24,883	21,046	21,074	26,716	20,907	64,855
166,833	0,221	0,824	1,331	0,171	0,017	0,161	1,509	129,902	20,357	35,414	26,356	24,880	21,053	21,089	26,779	20,910	64,868
167,167	0,220	0,796	1,325	0,169	0,016	0,186	1,508	129,897	20,354	35,362	26,353	24,865	21,053	21,083	26,827	20,906	64,901
167,500	0,223	0,810	1,326	0,168	0,017	0,172	1,507	129,928	20,380	35,368	26,342	24,883	21,056	21,088	26,884	20,906	64,877
167,834	0,225	0,850	1,330	0,167	0,013	0,139	1,507	129,975	20,330	35,440	26,349	24,900	21,048	21,088	26,936	20,906	64,895
168,167	0,242	0,853	1,332	0,168	0,016	0,136	1,504	129,967	20,360	35,469	26,359	24,907	21,055	21,095	26,992	20,907	64,881
168,500	0,232	0,826	1,321	0,168	0,017	0,160	1,504	129,950	20,310	35,423	26,355	24,895	21,058	21,093	27,057	20,906	64,904
168,834	0,224	0,830	1,326	0,166	0,017	0,156	1,504	129,962	20,323	35,427	26,361	24,896	21,050	21,107	27,107	20,905	64,970
169,208	0,223	0,827	1,324	0,167	0,013	0,157	1,502	129,951	20,200	35,378	26,355	24,905	21,052	21,097	27,177	20,904	64,905
169,500	0,225	0,836	1,326	0,167	0,019	0,151	1,501	129,986	20,308	35,507	26,392	24,925	21,054	21,106	27,220	20,908	64,897
169,834	0,225	0,843	1,323	0,167	0,018	0,146	1,499	130,001	20,322	35,521	26,402	24,931	21,055	21,114	27,276	20,905	64,877
170,167	0,224	0,829	1,336	0,167	0,015	0,158	1,499	129,967	20,336	35,456	26,398	24,942	21,061	21,104	27,334	20,902	64,879
170,500	0,226	0,805	1,331	0,170	0,019	0,178	1,499	129,941	20,364	35,392	26,397	24,940	21,047	21,110	27,376	20,899	64,870
170,833	0,225	0,808	1,319	0,168	0,015	0,175	1,496	129,944	20,392	35,282	26,394	24,937	21,058	21,121	27,422	20,900	64,913
171,167	0,224	0,814	1,326	0,167	0,012	0,171	1,494	129,907	20,401	35,266	26,405	24,937	21,053	21,109	27,487	20,899	65,005
171,500	0,223	0,814	1,333	0,169	0,011	0,171	1,494	129,849	20,388	35,367	26,422	24,962	21,070	21,119	27,538	20,900	65,032
171,833	0,220	0,806	1,327	0,167	0,014	0,176	1,495	129,839	20,360	35,373	26,429	24,963	21,065	21,124	27,585	20,901	64,994
172,167	0,219	0,813	1,334	0,167	0,012	0,170	1,491	129,864	20,359	35,396	26,419	24,951	21,069	21,113	27,631	20,896	64,953
172,500	0,222	0,824	1,327	0,168	0,016	0,161	1,491	129,887	20,390	35,572	26,454	24,954	21,070	21,122	27,687	20,901	65,006
172,833	0,219	0,817	1,332	0,169	0,012	0,167	1,489	129,872	20,365	35,569	26,456	24,955	21,066	21,129	27,730	20,898	65,040

Pellematic 56_cat IV_run 1_191209_2 underlag till rådata PDF.DAT

Category: IV

	1103	1108	1109	130	230	101	102	1	2	3	6	7	8	11	
Mättid	T3 inlet load side	T2 inlet boiler	T1 outlet boiler	Flow load side	Flow boiler side	Heat output load side	Heat output boiler	CO chimney	CO2 chimney	O2 chimney	Pstat	Pdyn	Tunnel velocity	Våg	Tidpunkt
Minuter	°C	°C	°C	m³/h	m³/h	W	W	ppm	%	%	Pa	Pa	m/s	kg	Klockan
163,500	43,027	53,794	73,314	2,206	2,469	55755,320	55257,267	56,533	15,403	5,008	6,753	53,642	9,455	969,969	2019-12-09 15:47
163,833	42,978	53,826	73,155	2,206	2,462	55870,411	54570,233	52,032	15,051	5,243	6,679	53,362	9,431	969,969	2019-12-09 15:48
164,167	43,153	53,796	73,290	2,207	2,466	55289,860	55113,675	51,085	15,036	5,257	6,772	53,330	9,428	969,844	2019-12-09 15:48
164,500	43,539	53,867	73,052	2,205	2,467	54423,647	54271,543	68,601	15,336	5,449	6,760	53,211	9,417	969,843	2019-12-09 15:48
164,833	43,665	54,084	73,139	2,207	2,470	54338,798	53967,378	80,992	15,725	4,833	6,662	53,164	9,413	969,749	2019-12-09 15:49
165,167	43,525	54,166	72,878	2,209	2,467	54663,204	52924,979	70,469	15,516	4,639	6,715	52,783	9,379	969,656	2019-12-09 15:49
165,500	43,463	54,065	72,894	2,207	2,466	54511,732	53245,318	76,403	14,751	5,655	6,760	53,243	9,420	969,656	2019-12-09 15:49
165,833	43,476	54,006	72,927	2,207	2,464	54418,155	53461,585	63,731	15,549	5,330	6,708	53,176	9,414	969,562	2019-12-09 15:50
166,167	43,451	54,011	72,949	2,209	2,468	54504,758	53598,597	53,620	15,616	4,939	6,709	53,463	9,440	969,471	2019-12-09 15:50
166,500	43,434	53,990	72,925	2,209	2,468	54462,011	53572,026	54,745	15,502	4,748	6,743	52,639	9,367	969,347	2019-12-09 15:50
166,833	43,448	53,976	72,993	2,209	2,469	54454,402	53829,086	58,454	15,443	4,839	6,832	53,353	9,430	969,252	2019-12-09 15:51
167,167	43,414	53,993	72,940	2,210	2,467	54660,604	53593,668	54,017	14,837	5,594	6,748	53,148	9,412	969,252	2019-12-09 15:51
167,500	43,461	53,976	73,044	2,209	2,471	54446,507	54015,125	58,749	15,584	5,157	6,738	53,116	9,409	969,158	2019-12-09 15:51
167,834	43,493	53,999	72,926	2,210	2,465	54441,600	53498,212	60,917	15,941	4,163	6,678	53,308	9,426	969,158	2019-12-09 15:52
168,167	43,436	54,012	72,938	2,210	2,467	54553,609	53531,457	84,526	16,062	4,074	6,725	53,201	9,416	968,972	2019-12-09 15:52
168,500	43,496	53,987	73,050	2,209	2,465	54425,501	53886,413	84,913	15,757	4,791	6,717	52,804	9,381	968,972	2019-12-09 15:52
168,834	43,341	54,029	73,036	2,206	2,463	54923,374	53675,083	64,814	15,955	4,686	6,630	52,991	9,398	968,972	2019-12-09 15:53
169,208	43,094	53,948	73,062	2,208	2,463	55428,290	53976,647	57,813	15,476	4,723	6,685	52,768	9,378	968,847	2019-12-09 15:53
169,500	43,066	53,830	73,146	2,206	2,463	55452,454	54560,180	65,518	15,804	4,520	6,694	52,961	9,395	968,752	2019-12-09 15:53
169,834	43,027	53,798	73,103	2,209	2,464	55559,321	54534,583	66,912	16,186	4,366	6,663	53,190	9,415	968,658	2019-12-09 15:54
170,167	42,965	53,784	73,230	2,207	2,464	55675,788	54936,700	70,109	15,785	4,735	6,695	53,267	9,422	968,659	2019-12-09 15:54
170,500	43,064	53,762	73,139	2,205	2,462	55352,426	54702,937	63,257	14,803	5,351	6,782	53,262	9,422	968,658	2019-12-09 15:54
170,833	43,236	53,779	73,047	2,206	2,462	55042,032	54399,709	62,605	15,343	5,251	6,727	52,671	9,369	968,473	2019-12-09 15:55
171,167	43,340	53,916	73,117	2,207	2,466	55046,759	54281,833	66,322	15,446	5,120	6,685	53,430	9,437	968,347	2019-12-09 15:55
171,500	43,194	53,997	73,207	2,206	2,464	55456,501	54265,598	54,418	15,306	5,121	6,750	53,271	9,423	968,347	2019-12-09 15:55
171,833	43,048	53,935	73,197	2,205	2,457	55699,754	54265,803	52,168	15,027	5,288	6,674	53,042	9,402	968,348	2019-12-09 15:56
172,167	43,220	53,802	73,169	2,206	2,464	55184,839	54712,790	48,443	15,305	5,102	6,692	53,318	9,427	968,252	2019-12-09 15:56
172,500	43,310	53,912	73,193	2,209	2,462	55160,974	54433,962	61,627	15,806	4,838	6,739	53,056	9,404	968,158	2019-12-09 15:56
172,833	43,256	53,967	73,218	2,207	2,462	55352,417	54351,162	49,828	15,281	5,020	6,761	53,189	9,415	968,064	2019-12-09 15:57

Pellematic 56_cat IV_run 1_191209_2 underlag till rådata PDF.DAT

Category: IV

	301	302	304	305	306	308	317	1311	1312	1313	1314	1315	1316	1317	1318	1101	1102
Mättid	CO chimney	CO2 chimney	Pdyn	Pstat	Static pressure chimney	O2 chimney	Våg	Flue gas temp	Ambient	Flue gas at pitot	filter temp 1	filter temp 2	gas meter temp 1	gas meter temp 2	gasmeter temp ambient		T4 outlet load side
Minuter	VDC	VDC	VDC	VDC	VDC	VDC	VDC	°C	°C	°C	°C	°C	°C	°C	°C	°C	°C
173,167	0,220	0,805	1,332	0,168	0,015	0,176	1,489	129,872	20,309	35,581	26,466	24,962	21,066	21,131	27,778	20,896	65,035
173,500	0,220	0,827	1,324	0,168	0,014	0,158	1,488	129,919	20,300	35,436	26,458	24,965	21,083	21,143	27,834	20,899	65,051
173,833	0,223	0,844	1,325	0,166	0,015	0,144	1,486	129,941	20,305	35,594	26,486	24,995	21,086	21,147	27,884	20,900	65,061
174,167	0,233	0,847	1,325	0,166	0,015	0,140	1,485	129,976	20,320	35,677	26,488	24,972	21,086	21,149	27,933	20,898	65,073
174,500	0,225	0,838	1,339	0,166	0,018	0,149	1,484	129,996	20,360	35,561	26,501	24,976	21,078	21,151	27,972	20,899	65,001
174,834	0,226	0,851	1,332	0,167	0,018	0,137	1,483	130,040	20,369	35,575	26,497	24,976	21,090	21,148	28,026	20,900	65,029
175,167	0,233	0,849	1,333	0,167	0,014	0,141	1,482	130,061	20,296	35,473	26,483	24,961	21,100	21,156	28,069	20,900	65,028
175,500	0,223	0,834	1,335	0,168	0,017	0,153	1,481	130,055	20,261	35,419	26,500	24,973	21,097	21,164	28,110	20,898	65,020
175,834	0,224	0,827	1,336	0,169	0,016	0,159	1,480	130,068	20,196	35,417	26,511	24,980	21,105	21,162	28,144	20,896	64,977
176,167	0,223	0,821	1,332	0,168	0,011	0,164	1,479	130,071	20,298	35,548	26,527	24,985	21,106	21,163	28,195	20,900	64,993
176,500	0,223	0,836	1,319	0,168	0,015	0,151	1,477	130,061	20,315	35,540	26,529	24,996	21,103	21,170	28,237	20,900	64,973
176,834	0,223	0,813	1,323	0,169	0,011	0,171	1,476	130,082	20,196	35,427	26,513	25,005	21,116	21,170	28,283	20,905	64,982
177,167	0,225	0,813	1,333	0,169	0,013	0,170	1,475	130,093	19,754	35,432	26,492	24,963	21,109	21,175	28,307	20,900	64,942
177,500	0,226	0,819	1,334	0,170	0,010	0,166	1,474	130,102	19,491	35,421	26,473	24,917	21,094	21,172	28,337	20,899	64,959
177,833	0,226	0,815	1,318	0,168	0,012	0,169	1,472	130,104	19,307	35,544	26,429	24,866	21,114	21,185	28,359	20,899	64,948
178,167	0,224	0,809	1,340	0,171	0,016	0,175	1,472	130,108	18,671	35,416	26,358	24,786	21,094	21,196	28,369	20,900	65,004
178,500	0,222	0,798	1,333	0,169	0,016	0,185	1,470	130,061	18,564	35,426	26,304	24,663	21,068	21,183	28,378	20,897	65,037
178,833	0,220	0,780	1,327	0,170	0,015	0,199	1,470	130,050	18,872	35,383	26,232	24,604	21,058	21,186	28,378	20,897	65,019
179,167	0,221	0,799	1,335	0,170	0,015	0,183	1,468	130,058	18,999	35,362	26,189	24,596	21,056	21,191	28,397	20,899	65,067
179,500	0,227	0,816	1,340	0,171	0,022	0,168	1,468	130,072	19,179	35,313	26,176	24,619	21,039	21,177	28,420	20,895	65,069
179,833	0,228	0,824	1,338	0,168	0,019	0,161	1,467	130,121	19,235	35,471	26,173	24,641	21,047	21,179	28,419	20,893	65,022
180,167	0,226	0,848	1,341	0,168	0,015	0,140	1,465	130,139	19,325	35,485	26,175	24,655	21,039	21,176	28,431	20,893	64,983
180,500	0,242	0,865	1,332	0,167	0,016	0,126	1,465	130,169	19,446	35,428	26,172	24,655	21,035	21,170	28,437	20,893	64,877
180,834	0,228	0,848	1,331	0,168	0,011	0,140	1,464	130,174	19,515	35,353	26,157	24,636	21,006	21,164	28,454	20,885	64,927
181,167	0,222	0,818	1,331	0,169	0,011	0,167	1,463	130,108	19,556	35,372	26,165	24,635	21,013	21,173	28,480	20,889	64,942
181,500	0,221	0,810	1,318	0,168	0,015	0,172	1,461	130,101	19,642	35,239	26,148	24,634	21,019	21,167	28,500	20,887	64,934
181,834	0,224	0,816	1,326	0,169	0,024	0,170	1,460	130,046	19,636	35,178	26,141	24,644	21,005	21,161	28,535	20,883	64,866
182,167	0,225	0,796	1,328	0,171	0,021	0,187	1,459	129,992	19,658	34,973	26,127	24,660	20,993	21,151	28,553	20,879	64,932
182,500	0,222	0,786	1,334	0,168	0,025	0,194	1,459	129,940	19,673	35,004	26,142	24,621	20,986	21,160	28,584	20,879	64,934

Pellematic 56_cat IV_run 1_191209_2 underlag till rådata PDF.DAT

Category: IV

	1103	1108	1109	130	230	101	102	1	2	3	6	7	8	11	
Mättid	T3 inlet load side	T2 inlet boiler	T1 outlet boiler	Flow load side	Flow boiler side	Heat output load side	Heat output boiler	CO chimney	CO2 chimney	O2 chimney	Pstat	Pdyn	Tunnel velocity	Våg	Tidpunkt
Minuter	°C	°C	°C	m³/h	m³/h	W	W	ppm	%	%	Pa	Pa	m/s	kg	Klockan
173,167	43,342	53,985	73,199	2,206	2,464	55083,854	54276,123	52,389	15,157	5,290	6,704	53,039	9,402	968,064	2019-12-09 15:57
173,500	43,405	53,991	73,247	2,206	2,462	54961,136	54349,979	55,195	15,765	4,737	6,738	52,733	9,375	968,065	2019-12-09 15:57
173,833	43,307	54,032	73,318	2,206	2,464	55240,665	54481,732	65,623	16,250	4,318	6,650	53,168	9,413	967,847	2019-12-09 15:58
174,167	43,247	54,008	73,172	2,206	2,462	55427,059	54098,482	76,998	16,355	4,212	6,629	53,275	9,423	967,752	2019-12-09 15:58
174,500	43,327	53,979	73,175	2,207	2,464	55070,715	54239,088	58,104	15,689	4,457	6,645	53,420	9,436	967,753	2019-12-09 15:58
174,834	43,338	53,981	73,202	2,206	2,466	55078,947	54349,778	69,065	16,107	4,122	6,662	53,446	9,438	967,659	2019-12-09 15:59
175,167	43,303	53,996	73,251	2,207	2,465	55200,875	54429,323	81,355	16,134	4,218	6,690	53,336	9,428	967,566	2019-12-09 15:59
175,500	43,311	54,001	73,103	2,206	2,458	55120,829	53842,862	56,092	15,858	4,594	6,700	53,417	9,435	967,565	2019-12-09 15:59
175,834	43,254	53,973	73,301	2,209	2,463	55229,868	54593,950	60,631	15,511	4,777	6,752	53,443	9,438	967,474	2019-12-09 16:00
176,167	43,155	53,940	73,155	2,207	2,464	55489,351	54282,982	62,083	15,489	4,928	6,708	52,924	9,392	967,345	2019-12-09 16:00
176,500	43,149	53,898	73,232	2,210	2,471	55516,800	54771,923	62,056	15,859	4,545	6,721	52,520	9,356	967,251	2019-12-09 16:00
176,834	43,151	53,900	73,105	2,209	2,467	55518,584	54324,283	62,054	15,391	5,119	6,755	53,153	9,412	967,251	2019-12-09 16:01
177,167	43,121	53,886	73,055	2,209	2,467	55488,966	54228,326	64,604	15,432	5,087	6,779	53,261	9,422	967,157	2019-12-09 16:01
177,500	43,152	53,885	73,218	2,207	2,465	55412,542	54650,507	64,576	15,226	4,969	6,785	53,139	9,411	967,157	2019-12-09 16:01
177,833	43,225	53,871	73,191	2,209	2,467	55232,613	54654,362	64,240	15,395	5,084	6,739	52,793	9,380	967,063	2019-12-09 16:02
178,167	43,252	53,910	73,194	2,209	2,467	55304,303	54551,914	62,885	15,366	5,246	6,835	53,795	9,469	966,971	2019-12-09 16:02
178,500	43,192	53,970	73,203	2,210	2,467	55573,687	54395,592	56,168	14,852	5,541	6,775	53,363	9,431	966,844	2019-12-09 16:02
178,833	43,173	53,933	73,382	2,210	2,466	55581,757	54983,323	53,227	14,344	5,979	6,801	53,234	9,419	966,845	2019-12-09 16:03
179,167	43,223	53,920	73,318	2,209	2,464	55539,667	54802,765	58,351	15,242	5,503	6,812	53,340	9,429	966,750	2019-12-09 16:03
179,500	43,172	53,975	73,236	2,207	2,464	55640,425	54408,032	75,676	15,665	5,048	6,835	53,704	9,461	966,750	2019-12-09 16:03
179,833	43,161	53,936	73,293	2,210	2,467	55617,507	54755,901	62,643	15,411	4,834	6,719	53,433	9,437	966,657	2019-12-09 16:04
180,167	43,197	53,919	73,051	2,212	2,467	55462,812	54119,994	66,545	16,174	4,188	6,726	53,414	9,435	966,563	2019-12-09 16:04
180,500	43,339	53,907	72,975	2,213	2,471	54860,606	54016,675	144,725	16,675	3,789	6,670	53,256	9,421	966,563	2019-12-09 16:04
180,834	43,408	53,963	73,085	2,211	2,469	54777,795	54127,868	75,983	16,225	4,192	6,726	53,224	9,418	966,471	2019-12-09 16:05
181,167	43,341	53,994	73,068	2,210	2,471	54954,807	54028,219	55,843	15,169	5,021	6,761	53,206	9,417	966,346	2019-12-09 16:05
181,500	43,297	53,979	72,945	2,209	2,469	55013,119	53687,312	53,903	15,204	5,174	6,737	52,626	9,365	966,251	2019-12-09 16:05
181,834	43,276	53,947	73,142	2,213	2,469	54993,839	54333,108	70,116	15,521	5,096	6,777	53,102	9,408	966,251	2019-12-09 16:06
182,167	43,258	53,922	73,089	2,209	2,465	55125,671	54181,616	61,300	14,847	5,611	6,849	52,987	9,397	966,157	2019-12-09 16:06
182,500	43,396	53,942	73,026	2,212	2,465	54848,691	53947,736	55,477	14,720	5,822	6,721	53,088	9,406	966,157	2019-12-09 16:06

Pellematic 56_cat IV_run 1_191209_2 underlag till rådata PDF.DAT

Category: IV

	301	302	304	305	306	308	317	1311	1312	1313	1314	1315	1316	1317	1318	1101	1102
Mättid	CO chimney	CO2 chimney	Pdyn	Pstat	Static pressure chimney	O2 chimney	Våg	Flue gas temp	Ambient	Flue gas at pitot	filter temp 1	filter temp 2	gas meter temp 1	gas meter temp 2	gasmeter temp ambient		T4 outlet load side
Minuter	VDC	VDC	VDC	VDC	VDC	VDC	VDC	°C	°C	°C	°C	°C	°C	°C	°C	°C	°C
182,834	0,222	0,806	1,336	0,168	0,015	0,175	1,457	129,929	19,701	35,180	26,148	24,612	20,998	21,170	28,613	20,879	64,940
183,167	0,222	0,833	1,332	0,169	0,016	0,153	1,456	129,974	19,737	35,340	26,170	24,636	20,985	21,151	28,640	20,877	65,002
183,500	0,230	0,845	1,342	0,171	0,013	0,143	1,455	129,989	19,815	35,317	26,166	24,626	20,983	21,161	28,673	20,874	65,010
183,833	0,232	0,826	1,335	0,168	0,016	0,161	1,454	130,012	19,865	35,205	26,167	24,657	20,988	21,159	28,719	20,880	64,946
184,167	0,229	0,818	1,333	0,168	0,018	0,165	1,452	130,044	19,948	35,389	26,195	24,664	20,978	21,162	28,748	20,873	64,987
184,500	0,230	0,834	1,325	0,168	0,015	0,153	1,452	130,053	19,929	35,245	26,202	24,705	20,978	21,160	28,777	20,873	65,019
184,833	0,225	0,840	1,324	0,168	0,012	0,147	1,451	130,063	19,965	35,189	26,206	24,702	20,982	21,161	28,803	20,869	65,066
185,167	0,223	0,831	1,325	0,169	0,016	0,156	1,450	130,017	19,981	35,236	26,210	24,695	20,975	21,159	28,824	20,869	65,069
185,500	0,223	0,811	1,330	0,168	0,008	0,172	1,448	130,010	20,011	35,186	26,205	24,672	20,987	21,165	28,840	20,869	65,055
185,833	0,223	0,832	1,327	0,170	0,018	0,156	1,448	130,015	20,001	35,202	26,204	24,667	20,977	21,167	28,867	20,869	65,057
186,167	0,220	0,801	1,328	0,169	0,021	0,183	1,447	129,998	19,935	35,316	26,222	24,668	20,985	21,167	28,883	20,863	65,034
186,500	0,222	0,811	1,327	0,169	0,016	0,172	1,445	130,005	19,938	35,260	26,212	24,677	20,972	21,178	28,911	20,863	64,946
186,833	0,226	0,816	1,330	0,168	0,017	0,167	1,444	129,998	20,011	35,392	26,227	24,741	20,977	21,177	28,956	20,864	64,901
187,167	0,222	0,805	1,329	0,168	0,016	0,179	1,443	129,986	20,003	35,373	26,233	24,735	20,978	21,163	28,967	20,858	64,836
187,500	0,225	0,808	1,327	0,168	0,018	0,175	1,442	129,973	20,011	35,413	26,254	24,737	20,965	21,179	29,005	20,859	64,832
187,834	0,225	0,817	1,337	0,167	0,018	0,167	1,441	129,977	20,024	35,407	26,265	24,742	20,970	21,178	29,026	20,856	64,818
188,167	0,243	0,841	1,329	0,169	0,010	0,145	1,440	130,004	20,060	35,326	26,264	24,744	20,968	21,173	29,047	20,854	64,871
188,500	0,234	0,844	1,337	0,170	0,016	0,144	1,440	130,027	20,097	35,258	26,261	24,728	20,975	21,177	29,073	20,852	64,848
188,834	0,238	0,845	1,338	0,166	0,018	0,143	1,439	130,039	20,146	35,315	26,268	24,745	20,973	21,185	29,100	20,852	64,795
189,167	0,240	0,856	1,323	0,167	0,020	0,133	1,436	130,040	20,126	35,308	26,274	24,768	20,983	21,186	29,128	20,856	64,798
189,500	0,227	0,850	1,327	0,167	0,007	0,138	1,435	130,044	20,131	35,334	26,283	24,772	20,979	21,192	29,159	20,855	64,873
189,834	0,221	0,837	1,332	0,168	0,025	0,151	1,435	130,067	20,063	35,458	26,300	24,775	20,981	21,189	29,168	20,851	64,834
190,167	0,226	0,832	1,325	0,169	0,022	0,155	1,433	130,038	20,129	35,358	26,298	24,749	20,988	21,191	29,196	20,849	64,919
190,500	0,225	0,835	1,321	0,169	0,022	0,151	1,432	130,064	20,095	35,212	26,307	24,120	20,988	21,193	29,210	20,850	65,000
190,833	0,225	0,824	1,336	0,169	0,016	0,161	1,431	130,063	20,009	35,235	26,285	23,514	20,982	21,185	29,222	20,846	65,025
191,167	0,224	0,828	1,328	0,170	0,014	0,158	1,430	130,071	20,027	35,186	26,280	11,962	20,990	21,194	29,266	20,845	64,949
191,500	0,227	0,838	1,337	0,169	0,010	0,150	1,427	130,112	20,087	35,207	26,264	8,378	20,996	21,209	29,284	20,843	64,902
191,833	0,233	0,853	1,329	0,169	0,011	0,136	1,427	130,142	20,114	35,383	26,279	21,050	21,013	21,198	29,306	20,842	64,950
192,167	0,232	0,856	1,329	0,167	0,015	0,133	1,427	130,160	20,122	35,365	26,291	21,121	21,020	21,211	29,335	20,843	65,002

Pellematic 56_cat IV_run 1_191209_2 underlag till rådata PDF.DAT

Category: IV

	1103	1108	1109	130	230	101	102	1	2	3	6	7	8	11	
Mättid	T3 inlet load side	T2 inlet boiler	T1 outlet boiler	Flow load side	Flow boiler side	Heat output load side	Heat output boiler	CO chimney	CO2 chimney	O2 chimney	Pstat	Pdyn	Tunnel velocity	Våg	Tidpunkt
Minuter	°C	°C	°C	m³/h	m³/h	W	W	ppm	%	%	Pa	Pa	m/s	kg	Klockan
182,834	43,629	54,002	73,030	2,211	2,469	54245,087	53861,087	53,401	15,123	5,260	6,716	53,514	9,444	966,064	2019-12-09 16:07
183,167	43,643	54,126	73,090	2,210	2,474	54335,418	53788,329	59,357	15,970	4,592	6,754	53,000	9,399	965,971	2019-12-09 16:07
183,500	43,569	54,158	73,039	2,211	2,469	54573,881	53444,756	98,737	16,440	4,296	6,845	53,904	9,478	965,846	2019-12-09 16:07
183,833	43,566	54,105	73,072	2,213	2,472	54456,011	53764,477	78,379	15,382	4,818	6,712	53,180	9,414	965,845	2019-12-09 16:08
184,167	43,737	54,103	72,960	2,214	2,471	54157,403	53411,605	71,046	15,241	4,952	6,703	53,552	9,447	965,751	2019-12-09 16:08
184,500	43,760	54,198	73,075	2,211	2,469	54107,751	53426,124	63,998	15,891	4,597	6,718	52,888	9,389	965,752	2019-12-09 16:08
184,833	43,629	54,226	73,235	2,209	2,472	54497,839	53880,783	70,260	16,397	4,397	6,738	52,997	9,398	965,658	2019-12-09 16:09
185,167	43,514	54,180	73,070	2,210	2,469	54834,224	53468,359	63,396	15,482	4,682	6,758	53,305	9,426	965,564	2019-12-09 16:09
185,500	43,485	54,132	73,151	2,210	2,471	54870,447	53869,533	58,414	14,986	5,169	6,721	53,394	9,433	965,472	2019-12-09 16:09
185,833	43,453	54,131	73,210	2,209	2,465	54923,642	53929,939	65,367	15,809	4,665	6,807	52,969	9,396	965,472	2019-12-09 16:10
186,167	43,051	54,063	73,230	2,210	2,471	55929,004	54292,511	51,374	14,934	5,482	6,760	53,291	9,424	965,348	2019-12-09 16:10
186,500	42,601	53,867	73,189	2,210	2,471	56863,520	54735,640	61,146	15,576	5,165	6,748	53,060	9,404	965,254	2019-12-09 16:10
186,833	42,346	53,646	73,300	2,210	2,469	57404,266	55643,274	67,310	15,070	5,015	6,734	53,345	9,429	965,254	2019-12-09 16:11
187,167	42,279	53,494	73,313	2,209	2,467	57374,121	56073,205	60,122	15,112	5,361	6,712	53,305	9,426	965,160	2019-12-09 16:11
187,500	42,365	53,424	73,200	2,209	2,471	57139,624	56031,872	74,363	15,601	5,248	6,711	53,244	9,420	965,066	2019-12-09 16:11
187,834	42,551	53,454	73,247	2,212	2,467	56705,279	55996,443	63,045	15,318	5,022	6,692	53,526	9,445	965,066	2019-12-09 16:12
188,167	42,758	53,572	73,058	2,210	2,467	56264,715	55134,141	93,112	15,911	4,354	6,759	53,067	9,404	964,975	2019-12-09 16:12
188,500	42,870	53,673	73,040	2,210	2,469	55921,559	54828,255	88,339	16,228	4,315	6,781	53,477	9,441	964,974	2019-12-09 16:12
188,834	42,942	53,690	73,114	2,209	2,466	55567,087	54919,845	113,944	16,365	4,296	6,635	53,590	9,451	964,848	2019-12-09 16:13
189,167	43,023	53,714	72,874	2,212	2,469	55439,644	54240,797	81,935	16,423	3,988	6,680	52,903	9,390	964,754	2019-12-09 16:13
189,500	43,125	53,778	73,067	2,207	2,465	55261,119	54526,819	69,064	15,931	4,149	6,678	52,966	9,396	964,660	2019-12-09 16:13
189,834	43,278	53,833	73,131	2,213	2,469	54908,475	54632,708	56,151	15,753	4,540	6,706	53,262	9,422	964,660	2019-12-09 16:14
190,167	43,374	53,914	73,170	2,213	2,469	54879,166	54511,180	71,054	15,913	4,651	6,758	52,842	9,385	964,566	2019-12-09 16:14
190,500	43,408	54,009	73,220	2,211	2,469	54963,664	54381,961	60,346	15,882	4,544	6,771	52,992	9,398	964,474	2019-12-09 16:14
190,833	43,338	54,036	73,128	2,210	2,469	55172,574	54041,503	61,182	15,471	4,826	6,768	53,521	9,445	964,349	2019-12-09 16:15
191,167	43,274	54,011	72,986	2,213	2,471	55209,214	53749,502	67,616	15,665	4,729	6,804	53,060	9,404	964,348	2019-12-09 16:15
191,500	43,398	53,941	73,105	2,210	2,469	54706,877	54248,875	73,654	16,135	4,491	6,775	53,570	9,449	964,160	2019-12-09 16:15
191,833	43,602	54,016	73,118	2,212	2,469	54338,427	54070,040	87,669	16,369	4,077	6,766	53,223	9,418	964,160	2019-12-09 16:16
192,167	43,686	54,122	73,216	2,211	2,470	54252,873	54081,119	73,476	16,285	3,982	6,681	53,001	9,399	964,161	2019-12-09 16:16

Pellematic 56_cat IV_run 1_191209_2 underlag till rådata PDF.DAT

Category: IV

	301	302	304	305	306	308	317	1311	1312	1313	1314	1315	1316	1317	1318	1101	1102
Mättid	CO chimney	CO2 chimney	Pdyn	Pstat	Static pressure chimney	O2 chimney	Våg	Flue gas temp	Ambient	Flue gas at pitot	filter temp 1	filter temp 2	gas meter temp 1	gas meter temp 2	gasmeter temp ambient		T4 outlet load side
Minuter	VDC	VDC	VDC	VDC	VDC	VDC	VDC	°C	°C	°C	°C	°C	°C	°C	°C	°C	°C
192,500	0,230	0,846	1,321	0,169	0,012	0,144	1,425	130,126	20,086	35,256	26,295	21,134	21,009	21,200	29,354	20,839	65,073
192,833	0,226	0,830	1,327	0,171	0,024	0,158	1,424	130,107	20,157	35,249	26,284	21,597	21,030	21,211	29,368	20,839	65,098
193,167	0,223	0,796	1,329	0,171	0,020	0,185	1,423	130,076	20,152	35,130	26,300	21,795	21,026	21,204	29,410	20,843	65,112
193,500	0,223	0,793	1,323	0,169	0,010	0,188	1,422	130,022	20,113	35,146	26,307	21,931	21,013	21,204	29,408	20,840	65,147
193,833	0,224	0,807	1,321	0,169	0,019	0,177	1,421	130,002	20,187	35,211	26,323	22,026	21,029	21,217	29,444	20,840	65,200
194,167	0,221	0,798	1,321	0,170	0,015	0,184	1,419	129,992	20,205	35,171	26,314	22,107	21,016	21,207	29,461	20,834	65,215
194,500	0,221	0,796	1,322	0,167	0,010	0,185	1,419	129,997	20,193	35,338	26,340	22,190	21,010	21,209	29,478	20,832	65,271
194,834	0,227	0,840	1,330	0,166	0,017	0,147	1,417	130,063	20,186	35,390	26,347	22,247	21,007	21,211	29,490	20,829	65,341
195,167	0,226	0,836	1,335	0,169	0,022	0,152	1,416	130,052	20,161	35,358	26,346	22,312	21,007	21,214	29,522	20,830	65,345
195,500	0,225	0,823	1,339	0,170	0,022	0,162	1,416	130,069	20,182	35,251	26,333	22,374	21,006	21,208	29,541	20,826	65,395
195,834	0,226	0,807	1,331	0,168	0,013	0,176	1,415	130,070	20,182	35,260	26,334	22,440	21,008	21,225	29,569	20,827	65,350
196,167	0,234	0,817	1,323	0,167	0,010	0,167	1,415	130,139	20,188	35,299	26,326	22,509	21,008	21,218	29,606	20,827	65,362
196,500	0,227	0,849	1,334	0,167	0,011	0,140	1,413	130,204	20,241	35,348	26,345	22,558	21,009	21,222	29,613	20,828	65,366
196,834	0,226	0,836	1,328	0,167	0,019	0,151	1,411	130,230	20,218	35,455	26,362	22,596	21,011	21,219	29,630	20,825	65,393
197,167	0,227	0,829	1,326	0,167	0,011	0,156	1,409	130,217	20,205	35,539	26,391	22,675	21,006	21,227	29,655	20,824	65,340
197,500	0,233	0,848	1,319	0,168	0,012	0,140	1,409	130,261	20,166	35,388	26,388	22,712	21,007	21,222	29,685	20,825	65,293
197,833	0,231	0,846	1,321	0,169	0,012	0,144	1,408	130,280	20,093	35,295	26,371	22,757	21,015	21,224	29,699	20,823	65,284
198,167	0,232	0,828	1,334	0,170	0,014	0,158	1,407	130,246	20,164	35,279	26,363	22,787	21,005	21,228	29,720	20,821	65,276
198,500	0,227	0,816	1,320	0,169	0,013	0,170	1,406	130,211	20,127	35,238	26,343	22,831	21,004	21,226	29,751	20,824	65,313
198,833	0,222	0,781	1,333	0,168	0,017	0,201	1,405	130,132	20,150	35,200	26,348	22,862	21,004	21,231	29,782	20,821	65,264
199,167	0,223	0,779	1,326	0,168	0,013	0,201	1,403	130,084	20,168	35,366	26,360	22,916	21,005	21,233	29,791	20,825	65,311
199,500	0,222	0,797	1,322	0,168	0,015	0,183	1,403	130,093	20,173	35,435	26,353	22,951	21,002	21,227	29,815	20,823	65,363
199,833	0,224	0,804	1,324	0,168	0,033	0,179	1,403	130,104	20,186	35,422	26,350	22,994	21,008	21,242	29,839	20,822	65,288
200,167	0,225	0,831	1,340	0,169	0,013	0,155	1,401	130,097	20,167	35,333	26,355	23,024	21,004	21,238	29,859	20,817	65,276
200,500	0,229	0,842	1,350	0,169	0,011	0,146	1,400	130,097	20,110	35,314	26,337	23,053	20,991	21,238	29,879	20,820	65,295
200,833	0,226	0,812	1,336	0,168	0,012	0,171	1,400	130,030	20,142	35,170	26,323	23,078	20,996	21,231	29,881	20,815	65,310
201,167	0,223	0,810	1,330	0,168	0,016	0,173	1,398	130,010	20,115	35,181	26,324	23,115	21,005	21,243	29,885	20,817	65,280
201,500	0,223	0,828	1,322	0,169	0,012	0,158	1,396	129,998	20,183	35,221	26,311	23,150	20,999	21,249	29,908	20,816	65,201
201,834	0,222	0,810	1,323	0,168	0,020	0,175	1,395	129,993	20,214	35,222	26,296	23,177	21,000	21,242	29,930	20,815	65,143

Pellematic 56_cat IV_run 1_191209_2 underlag till rådata PDF.DAT

Category: IV

	1103	1108	1109	130	230	101	102	1	2	3	6	7	8	11	
Mättid	T3 inlet load side	T2 inlet boiler	T1 outlet boiler	Flow load side	Flow boiler side	Heat output load side	Heat output boiler	CO chimney	CO2 chimney	O2 chimney	Pstat	Pdyn	Tunnel velocity	Våg	Tidpunkt
Minuter	°C	°C	°C	m³/h	m³/h	W	W	ppm	%	%	Pa	Pa	m/s	kg	Klockan
192,500	43,732	54,188	73,213	2,209	2,469	54257,819	53850,748	80,432	16,053	4,314	6,777	52,756	9,377	964,067	2019-12-09 16:16
192,833	43,754	54,251	73,193	2,210	2,469	54288,507	53613,601	68,734	15,747	4,737	6,832	53,192	9,416	964,067	2019-12-09 16:17
193,167	43,785	54,272	73,234	2,210	2,472	54248,980	53745,726	57,772	14,693	5,554	6,831	53,357	9,430	963,849	2019-12-09 16:17
193,500	43,757	54,284	73,365	2,211	2,469	54443,396	54005,315	61,377	14,639	5,640	6,762	52,757	9,377	963,849	2019-12-09 16:17
193,833	43,724	54,295	73,247	2,211	2,470	54661,934	53675,502	59,110	15,403	5,297	6,763	52,938	9,393	963,754	2019-12-09 16:18
194,167	43,828	54,315	73,314	2,211	2,471	54432,484	53810,551	54,820	14,878	5,534	6,798	53,051	9,403	963,661	2019-12-09 16:18
194,500	43,839	54,380	73,392	2,209	2,467	54500,550	53774,511	54,798	14,978	5,554	6,661	53,068	9,405	963,661	2019-12-09 16:18
194,834	43,778	54,372	73,491	2,209	2,474	54830,244	54224,515	71,660	16,092	4,398	6,658	53,279	9,423	963,520	2019-12-09 16:19
195,167	43,811	54,378	73,465	2,210	2,464	54775,797	53911,799	73,532	15,817	4,551	6,772	53,388	9,433	963,567	2019-12-09 16:19
195,500	43,799	54,420	73,400	2,209	2,469	54899,004	53709,868	67,935	15,644	4,858	6,787	53,767	9,466	963,476	2019-12-09 16:19
195,834	43,791	54,432	73,475	2,210	2,470	54834,053	53930,752	65,810	14,917	5,285	6,706	53,006	9,399	963,476	2019-12-09 16:20
196,167	43,750	54,392	73,541	2,212	2,465	55010,039	54120,205	102,456	15,621	4,997	6,695	52,985	9,397	963,346	2019-12-09 16:20
196,500	43,778	54,371	73,443	2,209	2,465	54882,020	53902,581	72,640	16,344	4,204	6,666	53,244	9,420	963,252	2019-12-09 16:20
196,834	43,762	54,399	73,438	2,209	2,469	54986,864	53883,127	72,816	15,982	4,534	6,677	53,023	9,401	963,158	2019-12-09 16:21
197,167	43,529	54,406	73,430	2,211	2,467	55517,859	53795,066	71,015	15,592	4,668	6,679	52,825	9,383	963,064	2019-12-09 16:21
197,500	43,470	54,287	73,621	2,209	2,464	55481,931	54612,895	83,509	16,123	4,193	6,705	52,747	9,376	963,064	2019-12-09 16:21
197,833	43,452	54,215	73,474	2,210	2,464	55541,507	54401,657	78,830	16,199	4,315	6,746	52,569	9,360	962,984	2019-12-09 16:22
198,167	43,404	54,189	73,425	2,211	2,469	55677,728	54444,685	86,533	15,684	4,728	6,784	53,783	9,468	962,846	2019-12-09 16:22
198,500	43,408	54,201	73,541	2,210	2,467	55732,778	54703,536	64,651	15,142	5,090	6,763	52,528	9,357	962,845	2019-12-09 16:22
198,833	43,412	54,186	73,535	2,213	2,467	55651,430	54730,515	58,418	14,278	6,043	6,733	53,268	9,422	962,752	2019-12-09 16:23
199,167	43,394	54,171	73,750	2,212	2,473	55793,196	55515,867	61,034	14,768	6,018	6,736	52,591	9,362	962,751	2019-12-09 16:23
199,500	43,469	54,202	73,545	2,213	2,466	55769,278	54694,814	56,756	15,184	5,505	6,730	52,966	9,396	962,658	2019-12-09 16:23
199,833	43,684	54,235	73,408	2,214	2,465	55058,564	54189,532	63,922	14,961	5,360	6,715	52,902	9,390	962,658	2019-12-09 16:24
200,167	43,817	54,305	73,334	2,214	2,469	54686,528	53859,241	68,329	15,902	4,644	6,742	53,667	9,458	962,563	2019-12-09 16:24
200,500	43,896	54,374	73,474	2,213	2,467	54496,648	54018,813	68,563	15,947	4,388	6,764	54,117	9,497	962,472	2019-12-09 16:24
200,833	43,898	54,428	73,404	2,209	2,467	54443,259	53668,936	64,166	15,435	5,141	6,725	53,398	9,434	962,472	2019-12-09 16:25
201,167	43,853	54,419	73,328	2,212	2,467	54556,559	53477,350	59,679	15,144	5,195	6,738	53,233	9,419	962,346	2019-12-09 16:25
201,500	43,851	54,391	73,182	2,213	2,474	54371,340	53296,296	58,661	15,770	4,745	6,748	52,678	9,370	962,251	2019-12-09 16:25
201,834	43,895	54,362	73,157	2,213	2,469	54115,715	53192,091	55,580	15,110	5,238	6,706	53,103	9,408	962,158	2019-12-09 16:26

Pellematic 56_cat IV_run 1_191209_2 underlag till rådata PDF.DAT

Category: IV

	301	302	304	305	306	308	317	1311	1312	1313	1314	1315	1316	1317	1318	1101	1102
Mättid	CO chimney	CO2 chimney	Pdyn	Pstat	Static pressure chimney	O2 chimney	Våg	Flue gas temp	Ambient	Flue gas at pitot	filter temp 1	filter temp 2	gas meter temp 1	gas meter temp 2	gasmeter temp ambient		T4 outlet load side
Minuter	VDC	VDC	VDC	VDC	VDC	VDC	VDC	°C	°C	°C	°C	°C	°C	°C	°C	°C	°C
202,167	0,220	0,783	1,332	0,170	0,009	0,198	1,395	129,922	20,200	35,144	26,291	23,205	21,000	21,245	29,952	20,815	65,161
202,500	0,223	0,791	1,323	0,168	0,014	0,190	1,393	129,912	20,178	35,309	26,316	23,256	21,000	21,244	29,977	20,817	65,184
202,834	0,222	0,796	1,315	0,167	0,016	0,186	1,392	129,930	20,116	35,420	26,336	23,286	21,006	21,245	30,000	20,815	65,173
203,167	0,223	0,817	1,331	0,170	0,015	0,168	1,392	129,942	20,159	35,259	26,335	23,323	21,005	21,257	30,012	20,814	65,127
203,500	0,221	0,809	1,348	0,169	0,017	0,173	1,390	129,927	20,140	35,277	26,334	23,357	21,009	21,259	30,041	20,815	65,122
203,834	0,227	0,837	1,336	0,168	0,012	0,149	1,388	129,973	20,173	35,282	26,360	23,396	21,014	21,246	30,036	20,816	65,115
204,167	0,228	0,844	1,333	0,168	0,019	0,145	1,387	129,998	20,079	35,327	26,380	23,413	21,007	21,247	30,057	20,811	65,121
204,500	0,231	0,847	1,333	0,170	0,021	0,142	1,387	130,025	20,082	35,510	26,398	23,450	21,011	21,251	30,082	20,812	65,157
204,833	0,235	0,835	1,323	0,169	0,013	0,151	1,385	130,046	20,112	35,333	26,407	23,480	21,015	21,268	30,096	20,815	65,149
205,167	0,234	0,844	1,331	0,168	0,017	0,144	1,384	130,062	20,150	35,352	26,392	23,509	21,016	21,258	30,126	20,817	65,146
205,500	0,226	0,839	1,345	0,166	0,017	0,150	1,384	130,065	20,097	35,265	26,383	23,533	21,015	21,265	30,133	20,811	65,251
205,833	0,229	0,840	1,320	0,168	0,018	0,147	1,382	130,126	20,169	35,314	26,361	23,561	21,018	21,258	30,152	20,810	65,255
206,167	0,224	0,837	1,323	0,168	0,016	0,150	1,381	130,115	20,155	35,415	26,379	23,594	21,020	21,264	30,173	20,813	65,161
206,500	0,226	0,819	1,328	0,169	0,010	0,166	1,380	130,115	20,153	35,382	26,388	23,607	21,025	21,275	30,199	20,815	65,097
206,833	0,225	0,818	1,330	0,169	0,020	0,168	1,379	130,099	20,144	35,273	26,366	23,626	21,012	21,275	30,211	20,811	65,127
207,167	0,222	0,796	1,322	0,167	0,012	0,186	1,378	130,089	20,183	35,231	26,360	23,643	21,014	21,268	30,234	20,810	65,152
207,500	0,224	0,810	1,313	0,168	0,019	0,172	1,377	130,104	20,204	35,292	26,377	23,687	21,022	21,283	30,256	20,812	65,092
207,833	0,223	0,828	1,326	0,167	0,017	0,158	1,376	130,144	20,120	35,379	26,370	23,695	21,028	21,273	30,258	20,811	65,004
208,167	0,227	0,836	1,331	0,170	0,018	0,152	1,375	130,169	20,136	35,341	26,392	23,723	21,024	21,286	30,282	20,813	65,042
208,500	0,227	0,822	1,335	0,168	0,013	0,164	1,374	130,171	20,146	35,403	26,377	23,736	21,023	21,283	30,302	20,813	65,108
208,834	0,223	0,814	1,329	0,169	0,018	0,170	1,372	130,127	20,187	35,423	26,383	23,766	21,030	21,283	30,321	20,811	65,118
209,167	0,223	0,830	1,326	0,169	0,019	0,156	1,371	130,134	20,164	35,369	26,386	23,790	21,023	21,295	30,340	20,809	65,088
209,500	0,225	0,834	1,324	0,169	0,013	0,153	1,372	130,149	20,105	35,364	26,383	23,810	21,017	21,287	30,367	20,811	65,007
209,834	0,227	0,832	1,335	0,167	0,014	0,155	1,369	130,150	20,106	35,454	26,386	23,831	21,014	21,283	30,371	20,807	64,970
210,167	0,226	0,817	1,337	0,169	0,013	0,166	1,368	130,189	20,175	35,363	26,383	23,850	21,018	21,294	30,384	20,809	64,999
210,500	0,229	0,834	1,335	0,168	0,018	0,152	1,368	130,211	20,204	35,411	26,400	23,865	21,012	21,296	30,400	20,811	64,947
210,833	0,228	0,825	1,328	0,170	0,017	0,161	1,366	130,211	20,173	35,368	26,398	23,878	21,021	21,294	30,405	20,809	64,987
211,167	0,228	0,828	1,328	0,169	0,019	0,158	1,365	130,226	20,138	35,316	26,379	23,878	21,013	21,299	30,432	20,807	65,022
211,500	0,228	0,842	1,327	0,167	0,017	0,145	1,363	130,291	20,204	35,297	26,385	23,905	21,021	21,305	30,447	20,807	65,048

Pellematic 56_cat IV_run 1_191209_2 underlag till rådata PDF.DAT

Category: IV

	1103	1108	1109	130	230	101	102	1	2	3	6	7	8	11	
Mättid	T3 inlet load side	T2 inlet boiler	T1 outlet boiler	Flow load side	Flow boiler side	Heat output load side	Heat output boiler	CO chimney	CO2 chimney	O2 chimney	Pstat	Pdyn	Tunnel velocity	Våg	Tidpunkt
Minuter	°C	°C	°C	m³/h	m³/h	W	W	ppm	%	%	Pa	Pa	m/s	kg	Klockan
202,167	43,953	54,361	73,197	2,213	2,466	54006,625	53251,256	54,151	14,505	5,928	6,789	53,214	9,418	962,158	2019-12-09 16:26
202,500	43,992	54,394	73,250	2,214	2,468	54000,368	53350,529	56,782	14,666	5,696	6,705	53,177	9,414	962,064	2019-12-09 16:26
202,834	43,963	54,425	73,147	2,213	2,469	54017,639	52987,518	60,530	15,096	5,581	6,678	52,360	9,342	961,972	2019-12-09 16:27
203,167	43,891	54,393	73,217	2,212	2,469	54050,005	53275,068	56,671	15,745	5,054	6,792	53,479	9,441	961,972	2019-12-09 16:27
203,500	43,847	54,354	73,207	2,211	2,469	54144,477	53361,321	56,886	15,092	5,196	6,746	54,126	9,498	961,846	2019-12-09 16:27
203,834	43,850	54,348	73,166	2,211	2,470	54106,245	53291,274	76,569	15,927	4,483	6,725	53,252	9,421	961,752	2019-12-09 16:28
204,167	43,777	54,337	73,184	2,212	2,467	54342,806	53303,551	80,514	16,201	4,357	6,731	53,469	9,440	961,659	2019-12-09 16:28
204,500	43,634	54,300	73,284	2,212	2,467	54792,970	53694,863	86,808	16,426	4,250	6,785	53,035	9,402	961,658	2019-12-09 16:28
204,833	43,665	54,248	73,267	2,214	2,469	54747,364	53827,729	82,249	15,708	4,529	6,771	52,985	9,397	961,564	2019-12-09 16:29
205,167	43,959	54,268	73,359	2,214	2,472	53983,990	54093,965	71,956	15,854	4,315	6,725	53,462	9,439	961,472	2019-12-09 16:29
205,500	43,920	54,409	73,348	2,213	2,470	54325,953	53618,423	73,492	16,179	4,487	6,656	53,823	9,471	961,472	2019-12-09 16:29
205,833	43,448	54,422	73,315	2,210	2,472	55476,714	53546,084	69,617	16,007	4,412	6,723	52,763	9,378	961,348	2019-12-09 16:30
206,167	43,149	54,192	73,369	2,213	2,469	56074,359	54279,151	58,190	15,714	4,509	6,734	52,758	9,377	961,254	2019-12-09 16:30
206,500	43,146	54,020	73,322	2,214	2,471	55942,662	54675,711	79,683	15,389	4,974	6,758	53,052	9,403	961,254	2019-12-09 16:30
206,833	43,174	53,992	73,458	2,211	2,471	55868,816	55140,926	63,637	15,452	5,032	6,772	53,151	9,412	961,160	2019-12-09 16:31
207,167	42,947	54,007	73,412	2,211	2,467	56535,051	54889,651	60,020	14,878	5,575	6,692	52,661	9,368	961,067	2019-12-09 16:31
207,500	42,736	53,910	73,232	2,211	2,469	56920,858	54692,620	65,207	15,386	5,161	6,736	52,311	9,337	961,067	2019-12-09 16:31
207,833	42,808	53,778	73,560	2,213	2,469	56561,223	56002,369	59,392	15,688	4,735	6,692	53,626	9,454	960,974	2019-12-09 16:32
208,167	42,973	53,772	73,506	2,211	2,468	56181,121	55839,145	77,270	15,988	4,550	6,792	53,256	9,421	960,848	2019-12-09 16:32
208,500	43,033	53,883	73,435	2,212	2,466	56205,151	55279,714	65,493	15,416	4,912	6,733	53,267	9,422	960,848	2019-12-09 16:32
208,834	42,933	53,920	73,457	2,210	2,470	56447,386	55328,031	56,728	15,266	5,092	6,759	53,240	9,420	960,754	2019-12-09 16:33
209,167	42,866	53,897	73,443	2,214	2,467	56652,171	55291,758	62,350	15,805	4,689	6,754	52,893	9,389	960,660	2019-12-09 16:33
209,500	42,843	53,826	73,388	2,213	2,468	56464,460	55367,574	69,426	15,943	4,590	6,773	53,117	9,409	960,754	2019-12-09 16:33
209,834	42,953	53,772	73,265	2,213	2,467	56092,484	55154,686	72,916	15,734	4,636	6,692	53,710	9,461	960,474	2019-12-09 16:34
210,167	43,015	53,838	73,216	2,213	2,467	56003,951	54822,152	63,013	15,354	4,981	6,770	53,450	9,438	960,475	2019-12-09 16:34
210,500	43,065	53,849	73,335	2,211	2,469	55710,725	55161,624	78,831	15,688	4,571	6,734	53,465	9,440	960,474	2019-12-09 16:34
210,833	43,226	53,892	73,404	2,213	2,469	55433,953	55237,635	71,054	15,716	4,828	6,801	53,058	9,404	960,349	2019-12-09 16:35
211,167	43,349	53,990	73,267	2,213	2,467	55204,750	54524,017	74,787	15,850	4,742	6,765	53,008	9,399	960,255	2019-12-09 16:35
211,500	43,559	54,039	73,343	2,211	2,467	54698,437	54604,933	70,220	16,102	4,341	6,678	53,188	9,415	960,161	2019-12-09 16:35

Pellematic 56_cat IV_run 1_191209_2 underlag till rådata PDF.DAT

Category: IV

	301	302	304	305	306	308	317	1311	1312	1313	1314	1315	1316	1317	1318	1101	1102
Mättid	CO chimney	CO2 chimney	Pdyn	Pstat	Static pressure chimney	O2 chimney	Våg	Flue gas temp	Ambient	Flue gas at pitot	filter temp 1	filter temp 2	gas meter temp 1	gas meter temp 2	gasmeter temp ambient		T4 outlet load side
Minuter	VDC	VDC	VDC	VDC	VDC	VDC	VDC	°C	°C	°C	°C	°C	°C	°C	°C	°C	°C
211,833	0,230	0,860	1,327	0,168	0,022	0,130	1,363	130,342	20,185	35,447	26,392	23,925	21,016	21,305	30,452	20,805	65,095
212,167	0,227	0,854	1,317	0,169	0,016	0,137	1,361	130,325	20,229	35,325	26,379	23,953	21,021	21,295	30,481	20,804	65,087
212,500	0,226	0,838	1,325	0,171	0,014	0,148	1,360	130,301	20,172	35,227	26,371	23,956	21,013	21,303	30,486	20,805	65,167
212,833	0,226	0,827	1,327	0,168	0,017	0,159	1,360	130,280	20,139	35,327	26,409	23,972	21,020	21,311	30,517	20,808	65,143
213,167	0,225	0,814	1,326	0,169	0,015	0,172	1,358	130,243	20,128	35,240	26,388	23,984	21,011	21,307	30,519	20,803	65,125
213,500	0,222	0,800	1,334	0,170	0,019	0,183	1,357	130,227	20,160	35,363	26,394	24,008	21,008	21,311	30,542	20,806	65,231
213,833	0,224	0,789	1,323	0,167	0,024	0,192	1,356	130,191	20,180	35,231	26,378	24,020	21,021	21,310	30,551	20,803	65,265
214,167	0,225	0,803	1,321	0,170	0,018	0,180	1,355	130,158	20,157	35,164	26,380	24,032	21,009	21,314	30,560	20,803	65,336
214,500	0,224	0,790	1,331	0,168	0,015	0,192	1,353	130,147	20,175	35,337	26,407	24,053	21,016	21,312	30,585	20,803	65,311
214,834	0,228	0,819	1,323	0,168	0,015	0,165	1,353	130,184	20,175	35,322	26,396	24,056	21,017	21,318	30,602	20,803	65,259
215,167	0,235	0,836	1,328	0,168	0,018	0,149	1,352	130,216	20,203	35,370	26,405	24,065	21,013	21,317	30,611	20,805	65,176
215,500	0,231	0,845	1,338	0,168	0,020	0,144	1,351	130,214	20,201	35,382	26,397	24,082	21,013	21,322	30,617	20,802	65,135
215,834	0,225	0,810	1,327	0,169	0,015	0,174	1,349	130,157	20,214	35,390	26,388	24,088	21,016	21,322	30,633	20,803	65,090
216,167	0,226	0,798	1,328	0,169	0,022	0,185	1,348	130,098	20,233	35,312	26,392	24,103	21,008	21,332	30,648	20,806	65,077
216,500	0,227	0,807	1,327	0,170	0,014	0,175	1,347	130,030	20,145	35,241	26,393	24,101	21,002	21,327	30,634	20,803	65,114
216,834	0,221	0,823	1,330	0,169	0,020	0,162	1,347	130,052	20,125	35,449	26,406	24,125	21,008	21,329	30,652	20,803	65,160
217,167	0,222	0,844	1,323	0,168	0,015	0,144	1,345	130,075	20,158	35,569	26,409	24,152	21,008	21,334	30,661	20,803	65,120
217,500	0,222	0,821	1,323	0,167	0,014	0,164	1,345	130,096	20,124	35,445	26,404	24,152	20,999	21,337	30,675	20,805	65,066
217,833	0,224	0,823	1,325	0,169	0,014	0,162	1,344	130,086	20,130	35,320	26,392	24,144	21,012	21,320	30,685	20,803	65,003
218,167	0,224	0,831	1,321	0,169	0,015	0,157	1,342	130,054	20,153	35,258	26,380	24,159	21,001	21,329	30,688	20,803	64,946
218,500	0,222	0,808	1,333	0,169	0,011	0,177	1,342	130,037	20,182	35,192	26,372	24,167	21,000	21,331	30,694	20,802	64,883
218,833	0,221	0,811	1,333	0,167	0,014	0,171	1,340	130,042	20,214	35,115	26,362	24,180	20,998	21,340	30,701	20,800	64,863
219,167	0,224	0,833	1,335	0,166	0,018	0,154	1,339	130,065	20,203	35,297	26,382	24,179	20,994	21,338	30,719	20,801	64,800
219,500	0,229	0,837	1,326	0,168	0,013	0,150	1,338	130,026	20,205	35,087	26,349	24,187	21,010	21,330	30,712	20,799	64,813
219,833	0,234	0,816	1,329	0,167	0,018	0,170	1,337	130,006	20,238	35,134	26,352	24,196	21,003	21,340	30,721	20,800	64,824
220,167	0,228	0,807	1,320	0,168	0,020	0,176	1,337	129,966	20,186	35,007	26,352	24,201	21,009	21,345	30,733	20,800	64,740
220,500	0,226	0,805	1,326	0,169	0,017	0,178	1,335	129,912	20,147	35,140	26,357	24,211	20,996	21,343	30,752	20,800	64,717
220,833	0,224	0,810	1,316	0,168	0,015	0,174	1,334	129,913	20,169	35,330	26,378	24,228	21,001	21,346	30,759	20,800	64,699
221,167	0,230	0,809	1,325	0,169	0,022	0,176	1,333	129,881	20,151	35,346	26,370	24,233	21,000	21,337	30,775	20,801	64,603

Pellematic 56_cat IV_run 1_191209_2 underlag till rådata PDF.DAT

Category: IV

	1103	1108	1109	130	230	101	102	1	2	3	6	7	8	11	
Mättid	T3 inlet load side	T2 inlet boiler	T1 outlet boiler	Flow load side	Flow boiler side	Heat output load side	Heat output boiler	CO chimney	CO2 chimney	O2 chimney	Pstat	Pdyn	Tunnel velocity	Våg	Tidpunkt
Minuter	°C	°C	°C	m³/h	m³/h	W	W	ppm	%	%	Pa	Pa	m/s	kg	Klockan
211,833	43,830	54,164	73,070	2,212	2,467	54123,973	53476,189	82,262	16,644	3,913	6,734	53,170	9,414	960,161	2019-12-09 16:36
212,167	43,938	54,314	73,157	2,210	2,469	53790,887	53332,021	71,392	16,260	4,103	6,741	52,632	9,366	960,067	2019-12-09 16:36
212,500	43,702	54,375	73,277	2,214	2,470	54703,518	53524,607	59,690	15,917	4,448	6,821	53,109	9,408	960,067	2019-12-09 16:36
212,833	43,597	54,271	73,237	2,210	2,467	54807,758	53652,819	62,946	15,469	4,758	6,718	52,999	9,399	959,975	2019-12-09 16:37
213,167	43,862	54,230	73,320	2,211	2,469	54116,271	54032,827	63,163	15,266	5,162	6,769	53,068	9,405	959,849	2019-12-09 16:37
213,500	44,074	54,362	73,158	2,211	2,471	53843,968	53232,863	58,988	15,027	5,495	6,790	53,444	9,438	959,755	2019-12-09 16:37
213,833	44,034	54,495	73,527	2,214	2,470	54102,841	53896,905	61,359	14,498	5,747	6,685	52,832	9,384	959,755	2019-12-09 16:38
214,167	43,886	54,508	73,344	2,214	2,469	54662,621	53309,675	73,077	14,939	5,388	6,788	52,767	9,378	959,662	2019-12-09 16:38
214,500	43,618	54,454	73,470	2,211	2,471	55217,634	53857,979	62,953	14,868	5,747	6,710	53,384	9,433	959,568	2019-12-09 16:38
214,834	43,615	54,338	73,321	2,211	2,470	55089,926	53761,867	78,813	15,776	4,955	6,737	52,786	9,380	959,568	2019-12-09 16:39
215,167	43,604	54,279	73,280	2,212	2,467	54910,393	53742,023	92,013	15,832	4,480	6,716	53,319	9,427	959,567	2019-12-09 16:39
215,500	43,398	54,229	73,292	2,210	2,467	55301,511	53920,618	77,783	15,989	4,321	6,712	53,785	9,468	959,346	2019-12-09 16:39
215,834	43,298	54,129	73,326	2,211	2,469	55462,052	54338,091	67,563	15,174	5,208	6,748	53,094	9,407	959,251	2019-12-09 16:40
216,167	43,318	54,065	73,406	2,212	2,471	55403,394	54789,251	69,257	15,050	5,549	6,742	53,139	9,411	959,251	2019-12-09 16:40
216,500	43,369	54,075	73,427	2,213	2,469	55390,584	54779,368	63,997	15,171	5,251	6,792	53,166	9,413	959,158	2019-12-09 16:40
216,834	43,293	54,115	73,368	2,211	2,469	55668,502	54498,862	58,169	15,625	4,855	6,750	53,223	9,418	959,157	2019-12-09 16:41
217,167	43,186	54,082	73,375	2,213	2,469	55873,486	54607,779	58,860	16,274	4,325	6,710	52,849	9,385	959,063	2019-12-09 16:41
217,500	43,024	54,014	73,235	2,210	2,465	56083,556	54332,649	55,770	15,306	4,930	6,680	52,723	9,374	959,063	2019-12-09 16:41
217,833	42,956	53,920	73,311	2,210	2,471	56097,068	54928,610	61,414	15,622	4,850	6,764	53,004	9,399	958,971	2019-12-09 16:42
218,167	42,959	53,855	73,097	2,213	2,469	56018,022	54471,055	65,156	15,559	4,701	6,741	52,842	9,385	958,846	2019-12-09 16:42
218,500	42,888	53,829	73,208	2,210	2,471	55964,195	54898,504	56,193	15,348	5,305	6,752	53,135	9,411	958,845	2019-12-09 16:42
218,833	42,800	53,771	73,091	2,214	2,468	56232,663	54683,652	56,964	15,379	5,132	6,680	53,632	9,454	958,751	2019-12-09 16:43
219,167	42,781	53,716	73,118	2,212	2,466	56080,397	54855,572	61,118	15,828	4,614	6,627	53,225	9,418	958,657	2019-12-09 16:43
219,500	42,718	53,684	73,126	2,210	2,469	56225,016	55044,201	82,617	15,805	4,503	6,711	53,145	9,411	958,563	2019-12-09 16:43
219,833	42,641	53,652	73,214	2,211	2,467	56481,862	55340,284	97,425	15,459	5,091	6,686	52,755	9,377	958,563	2019-12-09 16:44
220,167	42,654	53,624	73,045	2,211	2,464	56234,757	54868,032	66,406	15,313	5,279	6,717	52,676	9,370	958,563	2019-12-09 16:44
220,500	42,643	53,571	73,270	2,213	2,466	56247,592	55709,999	62,628	14,977	5,337	6,745	52,931	9,392	958,346	2019-12-09 16:44
220,833	42,625	53,570	72,906	2,214	2,465	56273,193	54649,945	64,646	15,433	5,223	6,711	52,511	9,355	958,345	2019-12-09 16:45
221,167	42,570	53,539	72,936	2,213	2,472	56140,592	54994,950	90,273	15,087	5,284	6,766	53,190	9,415	958,251	2019-12-09 16:45

Pellematic 56_cat IV_run 1_191209_2 underlag till rådata PDF.DAT

Category: IV

	301	302	304	305	306	308	317	1311	1312	1313	1314	1315	1316	1317	1318	1101	1102
Mättid	CO chimney	CO2 chimney	Pdyn	Pstat	Static pressure chimney	O2 chimney	Våg	Flue gas temp	Ambient	Flue gas at pitot	filter temp 1	filter temp 2	gas meter temp 1	gas meter temp 2	gasmeter temp ambient		T4 outlet load side
Minuter	VDC	VDC	VDC	VDC	VDC	VDC	VDC	°C	°C	°C	°C	°C	°C	°C	°C	°C	°C
221,500	0,230	0,791	1,317	0,168	0,021	0,190	1,332	129,855	20,239	35,157	26,377	24,238	21,006	21,353	30,775	20,799	64,591
221,834	0,229	0,812	1,319	0,168	0,019	0,170	1,331	129,881	20,216	35,267	26,380	24,250	21,016	21,365	30,800	20,802	64,515
222,167	0,226	0,832	1,328	0,169	0,020	0,156	1,330	129,871	20,206	35,148	26,374	24,245	21,002	21,357	30,809	20,800	64,515
222,500	0,224	0,805	1,332	0,169	0,014	0,179	1,329	129,815	20,217	35,135	26,378	24,253	21,002	21,348	30,797	20,798	64,418
222,834	0,222	0,772	1,329	0,169	0,017	0,207	1,329	129,742	20,228	35,180	26,371	24,267	21,004	21,346	30,807	20,796	64,363
223,167	0,221	0,785	1,339	0,167	0,016	0,195	1,328	129,730	20,218	35,401	26,413	24,278	21,004	21,358	30,810	20,798	64,315
223,500	0,224	0,822	1,327	0,167	0,017	0,163	1,327	129,784	20,210	35,275	26,401	24,288	21,007	21,346	30,813	20,800	64,288
223,834	0,223	0,813	1,330	0,167	0,013	0,170	1,326	129,785	20,180	35,201	26,404	24,290	21,017	21,363	30,832	20,800	64,310
224,167	0,226	0,809	1,323	0,168	0,015	0,174	1,324	129,755	20,201	35,180	26,403	24,284	21,005	21,354	30,834	20,796	64,228
224,500	0,226	0,807	1,320	0,167	0,014	0,176	1,323	129,716	20,086	35,098	26,400	24,295	21,007	21,357	30,835	20,798	64,175
224,833	0,227	0,811	1,330	0,168	0,015	0,174	1,322	129,697	20,119	35,278	26,408	24,287	21,015	21,370	30,844	20,800	64,126
225,167	0,224	0,810	1,324	0,168	0,012	0,174	1,320	129,696	20,128	35,316	26,401	24,290	21,015	21,372	30,866	20,801	64,083
225,500	0,228	0,807	1,323	0,168	0,022	0,176	1,321	129,671	20,152	35,199	26,385	24,288	21,012	21,364	30,871	20,798	64,091
225,833	0,225	0,816	1,325	0,170	0,022	0,168	1,319	129,660	20,132	35,203	26,361	24,282	21,006	21,371	30,877	20,796	64,100
226,167	0,223	0,809	1,331	0,169	0,018	0,176	1,317	129,622	20,160	35,198	26,344	24,298	21,012	21,375	30,884	20,799	64,014
226,500	0,232	0,807	1,338	0,169	0,020	0,176	1,318	129,575	20,173	35,139	26,328	24,287	21,011	21,374	30,905	20,801	63,981
226,833	0,229	0,796	1,330	0,168	0,016	0,185	1,317	129,520	20,135	35,108	26,321	24,287	21,004	21,369	30,906	20,796	63,942
227,167	0,228	0,815	1,319	0,168	0,019	0,169	1,315	129,550	20,023	35,084	26,339	24,305	21,006	21,368	30,904	20,798	63,905
227,500	0,228	0,819	1,327	0,167	0,017	0,167	1,313	129,539	20,041	35,059	26,323	24,320	21,014	21,372	30,907	20,794	63,870
227,833	0,228	0,812	1,331	0,164	0,009	0,171	1,312	129,561	20,094	35,238	26,348	24,324	21,008	21,366	30,909	20,795	63,857
228,167	0,231	0,832	1,327	0,166	0,010	0,154	1,313	129,595	20,077	35,384	26,365	24,343	21,017	21,379	30,912	20,798	63,854
228,500	0,228	0,839	1,325	0,168	0,009	0,150	1,311	129,576	20,067	35,268	26,364	24,347	21,019	21,379	30,912	20,796	63,862
228,834	0,224	0,807	1,335	0,167	0,018	0,178	1,309	129,544	20,064	35,189	26,365	24,346	21,019	21,383	30,918	20,794	63,897
229,167	0,228	0,814	1,331	0,168	0,022	0,170	1,308	129,533	20,062	35,251	26,382	24,348	21,023	21,389	30,924	20,797	63,904
229,500	0,227	0,817	1,337	0,168	0,015	0,167	1,308	129,502	20,067	35,287	26,369	24,350	21,008	21,373	30,922	20,792	63,791
229,834	0,221	0,829	1,325	0,167	0,013	0,157	1,307	129,484	20,029	35,229	26,371	24,352	21,023	21,379	30,919	20,793	63,768
230,167	0,220	0,824	1,332	0,168	0,012	0,162	1,306	129,466	20,092	35,187	26,357	24,363	21,005	21,385	30,929	20,791	63,786
230,500	0,229	0,829	1,328	0,169	0,022	0,155	1,305	129,464	20,141	35,117	26,348	24,371	21,013	21,392	30,938	20,796	63,757
230,834	0,226	0,828	1,329	0,168	0,019	0,158	1,304	129,443	20,142	35,161	26,356	24,378	21,024	21,377	30,936	20,792	63,737

Pellematic 56_cat IV_run 1_191209_2 underlag till rådata PDF.DAT

Category: IV

	1103	1108	1109	130	230	101	102	1	2	3	6	7	8	11	
Mättid	T3 inlet load side	T2 inlet boiler	T1 outlet boiler	Flow load side	Flow boiler side	Heat output load side	Heat output boiler	CO chimney	CO2 chimney	O2 chimney	Pstat	Pdyn	Tunnel velocity	Våg	Tidpunkt
Minuter	°C	°C	°C	m³/h	m³/h	W	W	ppm	%	%	Pa	Pa	m/s	kg	Klockan
221,500	42,516	53,490	72,867	2,214	2,467	56282,251	54822,990	73,375	14,765	5,701	6,717	52,683	9,370	958,251	2019-12-09 16:45
221,834	42,452	53,431	72,979	2,212	2,462	56185,351	55189,637	71,446	15,450	5,114	6,729	52,792	9,380	958,157	2019-12-09 16:46
222,167	42,401	53,389	72,840	2,211	2,467	56309,872	55035,153	68,490	15,766	4,667	6,765	53,118	9,409	958,063	2019-12-09 16:46
222,500	42,351	53,344	72,795	2,212	2,464	56196,539	54960,996	59,111	15,059	5,357	6,774	53,385	9,433	958,063	2019-12-09 16:46
222,834	42,380	53,284	72,608	2,214	2,464	56046,522	54601,357	55,511	14,072	6,223	6,743	53,220	9,418	958,063	2019-12-09 16:47
223,167	42,410	53,277	72,598	2,213	2,465	55816,611	54626,799	61,230	14,882	5,838	6,663	53,743	9,464	957,971	2019-12-09 16:47
223,500	42,404	53,277	72,629	2,211	2,465	55720,107	54714,543	62,459	15,761	4,896	6,682	52,939	9,393	957,845	2019-12-09 16:47
223,834	42,379	53,278	72,491	2,210	2,464	55816,268	54290,473	62,626	15,431	5,102	6,692	53,273	9,423	957,845	2019-12-09 16:48
224,167	42,330	53,242	72,446	2,211	2,464	55764,494	54259,817	65,190	15,042	5,221	6,723	52,538	9,358	957,751	2019-12-09 16:48
224,500	42,281	53,164	72,418	2,212	2,465	55757,806	54441,819	69,333	15,175	5,272	6,700	53,139	9,411	957,657	2019-12-09 16:48
224,833	42,275	53,156	72,475	2,213	2,468	55676,314	54692,446	69,087	15,311	5,208	6,715	53,113	9,409	957,563	2019-12-09 16:49
225,167	42,305	53,135	72,372	2,211	2,466	55460,739	54403,195	66,834	15,322	5,223	6,734	53,141	9,411	957,472	2019-12-09 16:49
225,500	42,309	53,122	72,428	2,211	2,465	55469,256	54591,456	72,908	15,040	5,268	6,730	53,064	9,404	957,564	2019-12-09 16:49
225,833	42,291	53,119	72,265	2,209	2,460	55466,907	54029,105	63,209	15,318	5,048	6,788	53,199	9,416	957,348	2019-12-09 16:50
226,167	42,301	53,111	72,222	2,210	2,463	55258,079	53993,777	59,620	15,194	5,266	6,741	53,480	9,441	957,254	2019-12-09 16:50
226,500	42,334	53,090	72,146	2,210	2,462	55090,465	53808,241	90,072	15,146	5,275	6,780	53,552	9,447	957,348	2019-12-09 16:50
226,833	42,340	53,079	72,164	2,210	2,465	54979,799	53966,921	69,688	14,746	5,560	6,735	53,129	9,410	957,253	2019-12-09 16:51
227,167	42,346	53,055	72,065	2,213	2,464	54933,058	53718,729	71,853	15,598	5,070	6,731	52,814	9,382	957,066	2019-12-09 16:51
227,500	42,352	53,064	72,037	2,210	2,467	54760,038	53686,352	78,873	15,428	5,018	6,695	53,282	9,424	957,066	2019-12-09 16:51
227,833	42,357	53,072	71,970	2,210	2,465	54711,219	53435,385	72,849	15,525	5,138	6,579	53,268	9,422	956,973	2019-12-09 16:52
228,167	42,357	53,034	72,133	2,210	2,460	54706,990	53896,919	86,953	15,722	4,609	6,646	52,991	9,398	957,066	2019-12-09 16:52
228,500	42,349	53,012	72,043	2,211	2,465	54779,793	53814,836	66,764	15,806	4,491	6,739	52,954	9,395	956,848	2019-12-09 16:52
228,834	42,255	53,054	72,152	2,211	2,462	55115,279	53929,614	65,646	15,228	5,346	6,685	53,580	9,450	956,773	2019-12-09 16:53
229,167	41,865	53,035	72,185	2,211	2,464	56109,446	54122,465	73,611	15,458	5,088	6,725	53,307	9,426	956,754	2019-12-09 16:53
229,500	41,618	52,827	72,135	2,210	2,465	56430,776	54594,560	67,071	15,303	5,008	6,708	53,621	9,453	956,753	2019-12-09 16:53
229,834	41,682	52,657	72,262	2,210	2,466	56218,525	55458,233	55,915	15,920	4,721	6,666	53,082	9,406	956,660	2019-12-09 16:54
230,167	41,806	52,703	72,055	2,213	2,463	56017,997	54675,995	53,958	15,652	4,873	6,702	53,393	9,433	956,566	2019-12-09 16:54
230,500	41,850	52,757	72,069	2,209	2,465	55725,697	54615,602	76,160	15,777	4,661	6,758	53,209	9,417	956,566	2019-12-09 16:54
230,834	41,822	52,766	72,008	2,210	2,462	55782,008	54340,427	70,737	15,478	4,726	6,733	53,329	9,428	956,473	2019-12-09 16:55

Pellematic 56_cat IV_run 1_191209_2 underlag till rådata PDF.DAT

Category: IV

	301	302	304	305	306	308	317	1311	1312	1313	1314	1315	1316	1317	1318	1101	1102
Mättid	CO chimney	CO2 chimney	Pdyn	Pstat	Static pressure chimney	O2 chimney	Våg	Flue gas temp	Ambient	Flue gas at pitot	filter temp 1	filter temp 2	gas meter temp 1	gas meter temp 2	gasmeter temp ambient		T4 outlet load side
Minuter	VDC	VDC	VDC	VDC	VDC	VDC	VDC	°C	°C	°C	°C	°C	°C	°C	°C	°C	°C
231,167	0,230	0,831	1,331	0,168	0,018	0,156	1,303	129,466	20,018	35,287	26,372	24,380	21,013	21,392	30,943	20,792	63,667
231,500	0,231	0,822	1,335	0,167	0,009	0,163	1,301	129,481	20,042	35,206	26,380	24,372	21,018	21,382	30,940	20,792	63,676
231,833	0,233	0,832	1,332	0,167	0,013	0,154	1,299	129,493	20,082	35,251	26,393	24,384	21,017	21,389	30,950	20,792	63,569
232,167	0,233	0,826	1,334	0,167	0,017	0,159	1,299	129,486	20,080	35,217	26,394	24,385	21,026	21,390	30,945	20,791	63,470
232,500	0,230	0,824	1,328	0,168	0,014	0,162	1,299	129,489	20,038	35,227	26,415	24,388	21,023	21,385	30,957	20,796	63,438
232,833	0,231	0,809	1,330	0,169	0,013	0,176	1,297	129,458	20,088	35,200	26,397	24,383	21,024	21,392	30,958	20,791	63,429
233,167	0,232	0,808	1,326	0,167	0,019	0,174	1,296	129,451	20,124	35,098	26,402	24,394	21,026	21,389	30,955	20,790	63,423
233,500	0,227	0,818	1,326	0,169	0,018	0,167	1,296	129,445	20,099	35,049	26,385	24,387	21,034	21,396	30,957	20,792	63,390
233,833	0,228	0,801	1,324	0,168	0,009	0,182	1,295	129,414	20,115	35,232	26,409	24,397	21,030	21,396	30,949	20,791	63,417
234,167	0,227	0,810	1,320	0,169	0,017	0,174	1,293	129,414	20,120	35,241	26,403	24,392	21,036	21,402	30,954	20,793	63,431
234,500	0,223	0,810	1,319	0,170	0,007	0,174	1,291	129,401	20,156	35,125	26,372	24,387	21,037	21,398	30,957	20,792	63,323
234,833	0,224	0,792	1,331	0,168	0,008	0,190	1,291	129,395	20,173	35,264	26,398	24,405	21,038	21,400	30,947	20,790	63,278
235,167	0,234	0,837	1,328	0,167	0,018	0,151	1,291	129,391	20,162	35,193	26,406	24,409	21,033	21,406	30,965	20,792	63,285
235,500	0,235	0,839	1,328	0,167	0,011	0,148	1,289	129,387	20,196	35,197	26,398	24,403	21,037	21,401	30,959	20,790	63,213
235,834	0,223	0,810	1,326	0,168	0,012	0,172	1,288	129,346	20,207	35,183	26,404	24,404	21,045	21,413	30,979	20,794	63,170
236,167	0,222	0,812	1,334	0,167	0,017	0,173	1,287	129,318	20,148	35,211	26,398	24,410	21,045	21,416	30,984	20,792	63,110
236,500	0,230	0,806	1,326	0,167	0,014	0,176	1,286	129,315	20,048	35,173	26,400	24,415	21,045	21,413	30,990	20,794	63,114
236,834	0,233	0,823	1,334	0,167	0,013	0,162	1,286	129,317	20,026	35,127	26,382	24,405	21,041	21,412	30,991	20,793	63,086
237,167	0,236	0,843	1,327	0,166	0,018	0,145	1,284	129,314	20,055	35,247	26,373	24,387	21,032	21,414	30,988	20,794	63,061
237,500	0,232	0,820	1,315	0,168	0,022	0,166	1,282	129,274	20,099	35,235	26,389	24,398	21,043	21,410	30,985	20,793	63,067
237,834	0,232	0,816	1,333	0,167	0,021	0,168	1,282	129,252	20,101	35,222	26,388	24,409	21,042	21,417	30,996	20,792	63,082
238,167	0,229	0,816	1,326	0,166	0,013	0,167	1,281	129,259	20,162	35,147	26,370	24,403	21,046	21,409	30,999	20,790	63,093
238,500	0,230	0,815	1,327	0,167	0,008	0,168	1,280	129,258	20,174	35,226	26,391	24,424	21,041	21,421	31,004	20,792	63,128
238,833	0,231	0,828	1,326	0,168	0,018	0,158	1,279	129,263	20,171	35,205	26,402	24,428	21,033	21,411	31,008	20,790	63,110
239,167	0,235	0,835	1,331	0,167	0,018	0,152	1,277	129,262	20,174	35,370	26,420	24,441	21,046	21,424	31,008	20,790	63,062
239,500	0,243	0,853	1,332	0,166	0,018	0,137	1,276	129,270	20,148	35,276	26,415	24,441	21,044	21,421	31,008	20,790	63,107
239,833	0,260	0,843	1,334	0,167	0,018	0,146	1,275	129,278	20,164	35,146	26,415	24,454	21,043	21,424	31,018	20,794	63,102
240,167	0,240	0,840	1,332	0,164	0,018	0,148	1,273	129,296	20,157	35,293	26,413	24,454	21,047	21,424	31,023	20,792	63,119
240,500	0,236	0,839	1,320	0,167	0,023	0,149	1,273	129,296	20,176	35,231	26,393	24,435	21,049	21,417	31,036	20,792	63,136

Pellematic 56_cat IV_run 1_191209_2 underlag till rådata PDF.DAT

Category: IV

	1103	1108	1109	130	230	101	102	1	2	3	6	7	8	11	
Mättid	T3 inlet load side	T2 inlet boiler	T1 outlet boiler	Flow load side	Flow boiler side	Heat output load side	Heat output boiler	CO chimney	CO2 chimney	O2 chimney	Pstat	Pdyn	Tunnel velocity	Våg	Tidpunkt
Minuter	°C	°C	°C	m³/h	m³/h	W	W	ppm	%	%	Pa	Pa	m/s	kg	Klockan
231,167	41,827	52,706	71,978	2,206	2,462	55480,195	54419,268	79,917	15,659	4,685	6,734	53,256	9,421	956,348	2019-12-09 16:55
231,500	41,581	52,703	71,918	2,208	2,460	56194,421	54233,320	81,092	15,844	4,876	6,675	53,420	9,436	956,254	2019-12-09 16:55
231,833	41,253	52,582	71,888	2,209	2,460	56794,507	54491,815	80,092	15,603	4,631	6,686	53,018	9,400	956,160	2019-12-09 16:56
232,167	41,183	52,400	71,923	2,206	2,462	56635,323	55143,189	73,261	15,572	4,782	6,680	53,260	9,422	956,160	2019-12-09 16:56
232,500	41,157	52,293	71,889	2,204	2,465	56580,378	55427,445	89,728	15,643	4,847	6,727	53,292	9,424	956,160	2019-12-09 16:56
232,833	41,051	52,289	71,926	2,207	2,463	56900,459	55484,081	90,229	15,204	5,280	6,745	53,266	9,422	956,067	2019-12-09 16:57
233,167	41,081	52,261	71,905	2,206	2,462	56779,571	55493,723	74,217	15,214	5,220	6,670	53,194	9,416	955,974	2019-12-09 16:57
233,500	41,288	52,260	71,950	2,207	2,459	56200,703	55560,471	71,544	15,228	5,015	6,746	52,993	9,398	955,974	2019-12-09 16:57
233,833	41,227	52,289	71,836	2,207	2,464	56416,089	55248,950	73,700	15,133	5,459	6,723	52,877	9,388	955,848	2019-12-09 16:58
234,167	41,109	52,308	71,792	2,207	2,462	56762,965	55029,159	66,058	15,565	5,208	6,746	52,755	9,377	955,754	2019-12-09 16:58
234,500	41,254	52,254	71,751	2,207	2,457	56114,164	54964,057	59,349	14,904	5,227	6,797	53,168	9,413	955,661	2019-12-09 16:58
234,833	41,369	52,279	71,715	2,209	2,464	55737,544	54941,776	68,947	14,818	5,688	6,718	53,302	9,425	955,661	2019-12-09 16:59
235,167	41,217	52,306	71,485	2,207	2,459	56098,820	54103,126	94,222	16,331	4,539	6,691	52,790	9,380	955,567	2019-12-09 16:59
235,500	41,123	52,222	71,440	2,206	2,464	56150,558	54326,400	89,824	15,974	4,429	6,687	53,332	9,428	955,567	2019-12-09 16:59
235,834	41,183	52,167	71,476	2,209	2,464	55934,909	54583,711	54,151	14,954	5,171	6,704	53,100	9,407	955,475	2019-12-09 17:00
236,167	41,278	52,177	71,460	2,207	2,461	55509,525	54455,501	64,740	15,250	5,192	6,684	53,213	9,417	955,474	2019-12-09 17:00
236,500	41,303	52,214	71,415	2,209	2,463	55490,144	54261,490	100,059	15,477	5,287	6,681	53,168	9,413	955,346	2019-12-09 17:00
236,834	41,320	52,195	71,284	2,206	2,460	55307,672	53887,532	83,360	15,666	4,860	6,696	53,171	9,414	955,346	2019-12-09 17:01
237,167	41,405	52,183	71,307	2,208	2,466	55069,324	54100,041	82,365	15,844	4,364	6,623	52,987	9,397	955,252	2019-12-09 17:01
237,500	41,474	52,247	71,332	2,208	2,462	54919,165	53907,559	90,894	15,294	4,993	6,704	52,542	9,358	955,064	2019-12-09 17:01
237,834	41,495	52,290	71,400	2,209	2,460	54917,277	53946,397	83,850	15,763	5,029	6,689	53,240	9,420	955,064	2019-12-09 17:02
238,167	41,598	52,300	71,435	2,209	2,464	54678,865	54088,290	75,391	15,351	5,023	6,631	52,878	9,388	955,064	2019-12-09 17:02
238,500	41,560	52,327	71,268	2,207	2,463	54832,086	53533,371	74,036	15,172	5,051	6,678	53,347	9,429	954,972	2019-12-09 17:02
238,833	41,548	52,348	71,340	2,206	2,462	54779,716	53651,320	87,257	15,693	4,751	6,739	52,947	9,394	954,846	2019-12-09 17:03
239,167	41,656	52,330	71,277	2,206	2,464	54382,807	53558,209	87,997	15,937	4,546	6,662	53,060	9,404	954,845	2019-12-09 17:03
239,500	41,732	52,369	71,340	2,209	2,465	54372,411	53643,273	110,454	16,295	4,097	6,628	53,642	9,455	954,751	2019-12-09 17:03
239,833	41,658	52,419	71,349	2,210	2,462	54584,835	53463,758	94,031	15,774	4,377	6,666	53,365	9,431	954,658	2019-12-09 17:04
240,167	41,749	52,392	71,307	2,207	2,465	54321,143	53497,599	114,250	16,206	4,453	6,565	53,072	9,405	954,564	2019-12-09 17:04
240,500	41,883	52,446	71,284	2,209	2,465	54057,469	53277,814	88,473	16,051	4,479	6,671	52,682	9,370	954,563	2019-12-09 17:04

Pellematic 56_cat IV_run 1_191209_2 underlag till rådata PDF.DAT

Category: IV

	301	302	304	305	306	308	317	1311	1312	1313	1314	1315	1316	1317	1318	1101	1102
Mättid	CO chimney	CO2 chimney	Pdyn	Pstat	Static pressure chimney	O2 chimney	Våg	Flue gas temp	Ambient	Flue gas at pitot	filter temp 1	filter temp 2	gas meter temp 1	gas meter temp 2	gasmeter temp ambient		T4 outlet load side
Minuter	VDC	VDC	VDC	VDC	VDC	VDC	VDC	°C	°C	°C	°C	°C	°C	°C	°C	°C	°C
240,833	0,226	0,824	1,328	0,169	0,012	0,162	1,272	129,236	20,151	35,210	26,392	24,430	21,042	21,420	31,024	20,790	63,170
241,167	0,231	0,803	1,327	0,168	0,012	0,180	1,270	129,173	20,150	35,042	26,376	24,441	21,035	21,423	31,035	20,790	63,216
241,500	0,229	0,789	1,332	0,171	0,011	0,193	1,271	129,093	20,133	34,883	26,333	24,398	21,030	21,433	31,037	20,788	63,219
241,833	0,224	0,775	1,324	0,167	0,016	0,204	1,268	129,008	20,154	34,819	26,330	24,411	21,033	21,430	31,035	20,788	63,247
242,167	0,227	0,794	1,328	0,167	0,020	0,186	1,268	129,023	20,140	34,997	26,329	24,415	21,035	21,432	31,042	20,790	63,306
242,500	0,228	0,813	1,328	0,166	0,024	0,171	1,267	129,033	20,125	35,122	26,349	24,421	21,041	21,432	31,030	20,788	63,324
242,834	0,241	0,815	1,335	0,168	0,014	0,170	1,265	129,001	20,056	35,042	26,346	24,424	21,033	21,430	31,021	20,788	63,326
243,167	0,233	0,805	1,330	0,168	0,012	0,179	1,265	128,977	20,088	35,046	26,361	24,430	21,033	21,446	31,019	20,788	63,311
243,500	0,229	0,812	1,333	0,167	0,018	0,171	1,264	129,028	20,142	35,146	26,392	24,427	21,041	21,430	31,017	20,788	63,309
243,834	0,226	0,821	1,334	0,167	0,012	0,163	1,262	129,054	20,152	35,198	26,397	24,431	21,043	21,430	31,027	20,790	63,388
244,167	0,229	0,837	1,333	0,166	0,007	0,150	1,260	129,079	20,116	35,288	26,400	24,428	21,043	21,437	31,022	20,789	63,484
244,500	0,232	0,834	1,334	0,169	0,014	0,152	1,260	129,098	20,144	35,154	26,383	24,433	21,037	21,436	31,024	20,788	63,556
244,833	0,229	0,846	1,332	0,168	0,008	0,143	1,259	129,136	20,058	35,051	26,369	24,422	21,045	21,446	31,029	20,790	63,605
245,167	0,226	0,822	1,339	0,168	0,014	0,164	1,257	129,125	20,075	34,938	26,354	24,417	21,041	21,441	31,030	20,789	63,640
245,500	0,229	0,801	1,330	0,167	0,007	0,182	1,256	129,139	20,099	35,022	26,362	24,426	21,043	21,458	31,045	20,791	63,674
245,833	0,230	0,818	1,329	0,165	0,021	0,166	1,256	129,177	20,062	35,165	26,376	24,425	21,033	21,435	31,040	20,786	63,678
246,167	0,248	0,843	1,334	0,167	0,016	0,144	1,255	129,209	20,082	35,239	26,370	24,431	21,042	21,446	31,037	20,788	63,681
246,500	0,229	0,845	1,331	0,170	0,019	0,144	1,252	129,230	20,070	35,156	26,361	24,426	21,034	21,450	31,044	20,786	63,705
246,833	0,231	0,834	1,332	0,169	0,020	0,154	1,251	129,220	20,105	35,117	26,362	24,416	21,033	21,445	31,041	20,788	63,778
247,167	0,233	0,814	1,324	0,168	0,018	0,171	1,251	129,214	20,100	35,001	26,352	24,426	21,041	21,439	31,042	20,790	63,801
247,500	0,229	0,812	1,329	0,167	0,017	0,171	1,249	129,235	20,091	35,066	26,361	24,429	21,043	21,446	31,035	20,788	63,891
247,833	0,237	0,815	1,322	0,167	0,015	0,170	1,248	129,248	20,124	35,043	26,368	24,441	21,039	21,444	31,026	20,787	63,997
248,167	0,234	0,817	1,321	0,172	0,021	0,169	1,247	129,243	20,114	35,008	26,362	24,432	21,031	21,450	31,021	20,786	63,976
248,500	0,231	0,816	1,330	0,169	0,015	0,168	1,246	129,227	20,108	35,131	26,374	24,428	21,032	21,456	31,041	20,789	63,989
248,834	0,228	0,827	1,333	0,171	0,010	0,158	1,245	129,257	20,105	35,077	26,380	24,441	21,037	21,455	31,042	20,788	63,967
249,167	0,234	0,833	1,331	0,168	0,014	0,154	1,244	129,272	20,132	35,091	26,367	24,425	21,029	21,458	31,053	20,790	64,012
249,500	0,232	0,821	1,333	0,167	0,015	0,164	1,243	129,297	20,098	35,026	26,362	24,425	21,038	21,454	31,054	20,794	63,991
249,834	0,230	0,820	1,326	0,167	0,014	0,163	1,243	129,346	20,029	35,050	26,354	24,420	21,020	21,460	31,042	20,787	64,036
250,167	0,233	0,855	1,326	0,169	0,012	0,135	1,240	129,412	19,965	35,104	26,359	24,431	21,042	21,466	31,052	20,791	64,051

Pellematic 56_cat IV_run 1_191209_2 underlag till rådata PDF.DAT

Category: IV

	1103	1108	1109	130	230	101	102	1	2	3	6	7	8	11	
Mättid	T3 inlet load side	T2 inlet boiler	T1 outlet boiler	Flow load side	Flow boiler side	Heat output load side	Heat output boiler	CO chimney	CO2 chimney	O2 chimney	Pstat	Pdyn	Tunnel velocity	Våg	Tidpunkt
Minuter	°C	°C	°C	m³/h	m³/h	W	W	ppm	%	%	Pa	Pa	m/s	kg	Klockan
240,833	41,949	52,504	71,318	2,207	2,464	53940,806	53176,278	66,605	15,404	4,858	6,741	53,276	9,423	954,471	2019-12-09 17:05
241,167	41,913	52,571	71,319	2,207	2,465	54150,621	53022,921	79,500	14,932	5,403	6,726	53,115	9,409	954,346	2019-12-09 17:05
241,500	41,857	52,568	71,469	2,207	2,465	54301,193	53453,555	80,425	14,630	5,787	6,827	53,506	9,443	954,346	2019-12-09 17:05
241,833	42,170	52,545	71,406	2,209	2,462	53606,037	53269,943	58,722	14,438	6,128	6,688	53,130	9,410	954,159	2019-12-09 17:06
242,167	42,265	52,706	71,333	2,207	2,464	53477,418	52638,136	71,357	14,862	5,584	6,664	53,064	9,404	954,252	2019-12-09 17:06
242,500	42,103	52,765	71,427	2,209	2,464	53974,155	52740,081	65,309	15,147	5,123	6,638	52,946	9,394	954,158	2019-12-09 17:06
242,834	42,035	52,721	71,409	2,207	2,467	54119,501	52875,768	138,578	15,673	5,091	6,739	53,601	9,452	954,064	2019-12-09 17:07
243,167	42,055	52,685	71,463	2,206	2,461	53995,915	53007,760	70,663	15,017	5,357	6,716	52,943	9,393	954,064	2019-12-09 17:07
243,500	42,234	52,667	71,433	2,210	2,467	53631,862	53106,954	75,648	15,216	5,140	6,685	53,092	9,407	953,972	2019-12-09 17:07
243,834	42,523	52,765	71,519	2,209	2,467	53059,980	53072,130	67,835	15,518	4,889	6,682	53,475	9,441	953,846	2019-12-09 17:08
244,167	42,631	52,957	71,507	2,209	2,462	53028,226	52385,855	87,505	16,148	4,511	6,643	53,193	9,416	953,752	2019-12-09 17:08
244,500	42,592	53,052	71,719	2,209	2,464	53312,162	52751,826	90,808	15,871	4,563	6,747	53,118	9,409	953,752	2019-12-09 17:08
244,833	42,599	53,038	71,579	2,206	2,467	53351,462	52457,956	70,098	15,956	4,282	6,731	53,643	9,455	953,659	2019-12-09 17:09
245,167	42,522	53,073	71,730	2,211	2,469	53769,529	52825,723	71,098	15,391	4,931	6,719	53,365	9,431	953,565	2019-12-09 17:09
245,500	42,473	53,085	71,700	2,210	2,465	53949,914	52635,186	83,316	15,303	5,474	6,676	53,014	9,400	953,472	2019-12-09 17:09
245,833	42,518	53,060	71,825	2,209	2,463	53811,427	53012,435	81,095	15,617	4,965	6,591	53,252	9,421	953,472	2019-12-09 17:10
246,167	42,532	53,052	71,703	2,207	2,459	53751,068	52604,198	86,857	16,005	4,311	6,676	53,319	9,427	953,349	2019-12-09 17:10
246,500	42,509	53,073	71,737	2,207	2,465	53867,426	52773,298	75,112	16,137	4,329	6,787	53,247	9,420	953,254	2019-12-09 17:10
246,833	42,653	53,113	71,893	2,211	2,465	53785,125	53101,654	85,374	15,866	4,615	6,740	53,121	9,409	953,161	2019-12-09 17:11
247,167	42,837	53,195	71,968	2,210	2,465	53344,083	53082,954	87,973	15,255	5,122	6,722	52,810	9,382	953,161	2019-12-09 17:11
247,500	42,990	53,284	72,046	2,208	2,462	53131,028	52974,394	72,157	15,148	5,139	6,672	53,227	9,419	953,067	2019-12-09 17:11
247,833	42,995	53,406	72,007	2,209	2,462	53411,251	52521,073	105,684	15,585	5,095	6,697	52,690	9,371	952,975	2019-12-09 17:12
248,167	42,864	53,436	72,005	2,209	2,467	53684,329	52523,794	83,270	15,539	5,067	6,884	53,123	9,409	952,974	2019-12-09 17:12
248,500	42,775	53,386	72,055	2,209	2,465	53945,698	52781,160	79,208	15,411	5,025	6,778	53,125	9,410	952,848	2019-12-09 17:12
248,834	42,805	53,345	72,096	2,207	2,466	53776,014	53039,364	74,785	15,617	4,740	6,822	53,412	9,435	952,754	2019-12-09 17:13
249,167	42,787	53,357	72,130	2,207	2,466	53940,401	53082,534	107,529	16,046	4,635	6,725	53,195	9,416	952,754	2019-12-09 17:13
249,500	42,713	53,355	72,277	2,209	2,466	54105,586	53510,901	83,547	15,509	4,921	6,666	53,358	9,430	952,660	2019-12-09 17:13
249,834	42,766	53,321	72,220	2,207	2,463	54048,690	53393,545	75,471	15,615	4,901	6,690	53,209	9,417	952,661	2019-12-09 17:14
250,167	42,903	53,360	72,181	2,209	2,467	53789,834	53250,886	82,839	16,298	4,043	6,760	53,092	9,407	952,567	2019-12-09 17:14

Pellematic 56_cat IV_run 1_191209_2 underlag till rådata PDF.DAT

Category: IV

	301	302	304	305	306	308	317	1311	1312	1313	1314	1315	1316	1317	1318	1101	1102
Mättid	CO chimney	CO2 chimney	Pdyn	Pstat	Static pressure chimney	O2 chimney	Våg	Flue gas temp	Ambient	Flue gas at pitot	filter temp 1	filter temp 2	gas meter temp 1	gas meter temp 2	gasmeter temp ambient		T4 outlet load side
Minuter	VDC	VDC	VDC	VDC	VDC	VDC	VDC	°C	°C	°C	°C	°C	°C	°C	°C	°C	°C
250,500	0,226	0,847	1,333	0,167	0,018	0,142	1,240	129,414	20,018	35,192	26,356	24,419	21,032	21,458	31,055	20,788	64,051
250,834	0,226	0,833	1,327	0,168	0,015	0,154	1,238	129,451	20,067	35,122	26,361	24,420	21,029	21,447	31,065	20,786	64,114
251,167	0,226	0,825	1,333	0,168	0,014	0,162	1,237	129,428	20,056	34,994	26,356	24,420	21,026	21,459	31,070	20,789	64,136
251,500	0,230	0,826	1,335	0,168	0,013	0,159	1,236	129,422	20,067	35,140	26,355	24,429	21,025	21,473	31,065	20,786	64,251
251,833	0,226	0,820	1,331	0,169	0,012	0,167	1,235	129,449	20,096	35,038	26,368	24,431	21,019	21,460	31,071	20,787	64,384
252,167	0,223	0,823	1,333	0,167	0,020	0,161	1,233	129,465	20,094	35,141	26,355	24,438	21,020	21,469	31,076	20,786	64,434
252,500	0,227	0,837	1,335	0,168	0,016	0,150	1,232	129,512	20,110	35,141	26,347	24,427	21,024	21,461	31,087	20,784	64,412
252,833	0,226	0,835	1,332	0,168	0,008	0,152	1,231	129,545	20,112	35,055	26,339	24,426	21,019	21,469	31,076	20,784	64,448
253,167	0,226	0,835	1,333	0,169	0,015	0,153	1,231	129,557	20,116	35,099	26,329	24,416	21,018	21,471	31,071	20,785	64,493
253,500	0,234	0,835	1,333	0,169	0,014	0,152	1,229	129,589	20,042	34,972	26,323	24,407	21,016	21,470	31,070	20,782	64,523
253,833	0,235	0,841	1,336	0,169	0,014	0,146	1,227	129,614	20,030	35,068	26,302	24,411	21,011	21,475	31,082	20,782	64,517
254,167	0,229	0,832	1,337	0,169	0,022	0,154	1,227	129,650	20,061	35,110	26,328	24,419	21,019	21,470	31,089	20,780	64,672
254,500	0,229	0,829	1,346	0,169	0,010	0,158	1,226	129,637	20,027	34,978	26,315	24,411	21,013	21,472	31,103	20,782	64,702
254,833	0,230	0,797	1,343	0,168	0,008	0,185	1,224	129,658	20,092	35,058	26,304	24,422	21,022	21,469	31,106	20,783	64,696
255,167	0,235	0,809	1,322	0,167	0,010	0,174	1,223	129,617	20,100	35,014	26,308	24,414	21,006	21,469	31,103	20,778	64,708
255,500	0,228	0,821	1,320	0,169	0,009	0,165	1,222	129,621	20,091	34,971	26,311	24,413	21,016	21,466	31,115	20,782	64,699
255,834	0,224	0,813	1,337	0,168	0,013	0,173	1,221	129,573	20,048	34,937	26,301	24,407	21,018	21,474	31,111	20,782	64,676
256,167	0,225	0,796	1,335	0,168	0,008	0,186	1,219	129,560	20,044	34,938	26,311	24,404	21,001	21,480	31,111	20,780	64,722
256,500	0,228	0,811	1,328	0,170	0,014	0,172	1,219	129,607	20,078	35,006	26,329	24,408	21,014	21,475	31,110	20,784	64,715
256,834	0,233	0,799	1,328	0,170	0,023	0,185	1,218	129,550	20,092	35,015	26,321	24,393	21,020	21,474	31,117	20,778	64,630
257,167	0,237	0,787	1,330	0,169	0,023	0,194	1,217	129,480	20,100	34,892	26,331	24,384	21,017	21,480	31,115	20,778	64,618
257,500	0,230	0,797	1,334	0,168	0,013	0,185	1,216	129,440	20,098	34,918	26,311	24,373	21,019	21,478	31,119	20,780	64,640
257,834	0,225	0,791	1,333	0,168	0,015	0,188	1,215	129,426	20,161	34,953	26,331	24,392	21,024	21,483	31,110	20,780	64,593
258,167	0,225	0,847	1,323	0,169	0,011	0,143	1,214	129,454	20,115	34,918	26,320	24,393	21,005	21,476	31,106	20,776	64,562
258,500	0,232	0,847	1,324	0,168	0,016	0,141	1,213	129,494	20,041	35,016	26,340	24,381	21,025	21,485	31,108	20,778	64,503
258,833	0,228	0,849	1,334	0,168	0,020	0,139	1,212	129,537	20,046	35,159	26,352	24,380	21,010	21,471	31,096	20,775	64,562
259,167	0,231	0,846	1,323	0,170	0,009	0,144	1,211	129,544	20,123	35,056	26,355	24,380	21,019	21,479	31,092	20,776	64,565
259,500	0,229	0,831	1,317	0,169	0,015	0,156	1,210	129,579	20,104	35,026	26,342	24,377	21,016	21,488	31,109	20,779	64,546
259,833	0,231	0,837	1,316	0,168	0,017	0,151	1,208	129,612	20,161	35,052	26,345	24,379	21,016	21,476	31,103	20,775	64,567

Pellematic 56_cat IV_run 1_191209_2 underlag till rådata PDF.DAT

Category: IV

	1103	1108	1109	130	230	101	102	1	2	3	6	7	8	11	
Mättid	T3 inlet load side	T2 inlet boiler	T1 outlet boiler	Flow load side	Flow boiler side	Heat output load side	Heat output boiler	CO chimney	CO2 chimney	O2 chimney	Pstat	Pdyn	Tunnel velocity	Våg	Tidpunkt
Minuter	°C	°C	°C	m³/h	m³/h	W	W	ppm	%	%	Pa	Pa	m/s	kg	Klockan
250,500	43,009	53,427	72,216	2,208	2,464	53486,292	53085,041	68,335	16,178	4,257	6,686	53,040	9,402	952,474	2019-12-09 17:14
250,834	42,981	53,484	72,208	2,209	2,465	53749,286	52934,759	70,346	15,797	4,628	6,723	53,138	9,411	952,349	2019-12-09 17:15
251,167	43,224	53,525	72,303	2,210	2,471	53189,766	53197,866	63,047	15,357	4,856	6,727	53,180	9,415	952,255	2019-12-09 17:15
251,500	43,515	53,661	72,327	2,209	2,465	52716,637	52766,208	90,409	15,652	4,772	6,730	53,596	9,451	952,255	2019-12-09 17:15
251,833	43,519	53,817	72,274	2,209	2,469	53044,821	52245,629	67,903	15,418	5,021	6,760	53,093	9,407	952,162	2019-12-09 17:16
252,167	43,322	53,879	72,455	2,210	2,467	53708,492	52546,279	59,455	15,898	4,833	6,697	53,274	9,423	952,068	2019-12-09 17:16
252,500	43,246	53,824	72,517	2,210	2,467	53847,625	52877,533	71,103	15,736	4,492	6,710	53,403	9,434	951,976	2019-12-09 17:16
252,833	43,276	53,790	72,577	2,211	2,465	53895,468	53107,164	63,473	15,777	4,545	6,740	53,159	9,413	951,849	2019-12-09 17:17
253,167	43,254	53,798	72,691	2,210	2,467	54033,201	53444,627	76,060	16,037	4,596	6,761	53,299	9,425	951,849	2019-12-09 17:17
253,500	43,244	53,806	72,561	2,211	2,467	54169,053	53054,737	84,055	15,885	4,554	6,755	53,347	9,429	951,755	2019-12-09 17:17
253,833	43,266	53,818	72,888	2,209	2,462	54031,978	53843,766	87,186	15,857	4,390	6,770	53,269	9,422	951,662	2019-12-09 17:18
254,167	43,326	53,870	72,895	2,210	2,465	54300,359	53770,223	79,368	15,782	4,634	6,765	53,612	9,453	951,662	2019-12-09 17:18
254,500	43,326	53,936	72,932	2,210	2,465	54380,831	53697,408	85,876	15,645	4,741	6,756	53,667	9,458	951,568	2019-12-09 17:18
254,833	43,292	53,914	72,857	2,213	2,467	54521,898	53582,955	69,279	14,716	5,556	6,728	53,825	9,471	951,476	2019-12-09 17:19
255,167	43,165	53,916	72,836	2,211	2,471	54843,394	53596,324	84,314	15,160	5,220	6,687	52,610	9,364	951,349	2019-12-09 17:19
255,500	43,030	53,897	72,933	2,210	2,467	55128,559	53839,694	67,920	15,641	4,938	6,769	52,841	9,384	951,348	2019-12-09 17:19
255,834	43,022	53,798	73,081	2,213	2,468	55166,081	54564,800	62,550	15,192	5,179	6,734	53,649	9,456	951,253	2019-12-09 17:20
256,167	43,040	53,794	73,012	2,210	2,467	55163,440	54367,093	64,796	14,869	5,566	6,736	53,277	9,423	951,159	2019-12-09 17:20
256,500	43,042	53,820	72,782	2,209	2,469	55108,656	53679,458	70,239	15,190	5,175	6,792	53,123	9,410	951,066	2019-12-09 17:20
256,834	43,031	53,800	72,786	2,210	2,467	54952,555	53710,936	87,449	14,791	5,546	6,790	52,958	9,395	951,066	2019-12-09 17:21
257,167	43,174	53,782	72,733	2,209	2,466	54521,114	53583,518	100,206	14,992	5,808	6,746	53,224	9,418	951,066	2019-12-09 17:21
257,500	43,220	53,832	72,793	2,209	2,461	54457,080	53511,785	75,913	14,839	5,557	6,711	53,305	9,426	950,973	2019-12-09 17:21
257,834	43,184	53,841	72,740	2,210	2,465	54468,423	53424,554	67,742	14,777	5,647	6,720	53,337	9,428	950,847	2019-12-09 17:22
258,167	43,185	53,816	72,600	2,210	2,466	54384,802	53119,337	68,416	16,355	4,282	6,745	52,946	9,394	950,847	2019-12-09 17:22
258,500	43,177	53,802	72,728	2,212	2,468	54289,385	53556,305	88,736	16,437	4,235	6,728	53,082	9,406	950,753	2019-12-09 17:22
258,833	43,213	53,795	72,607	2,207	2,465	54242,827	53176,559	68,839	16,189	4,168	6,700	53,112	9,408	950,753	2019-12-09 17:23
259,167	43,196	53,823	72,709	2,208	2,464	54308,588	53349,115	73,626	15,837	4,307	6,806	53,082	9,406	950,659	2019-12-09 17:23
259,500	43,168	53,804	72,758	2,210	2,464	54379,107	53545,835	82,140	16,077	4,687	6,743	52,564	9,360	950,565	2019-12-09 17:23
259,833	43,337	53,806	72,834	2,209	2,462	53990,711	53721,018	81,319	16,116	4,517	6,704	52,844	9,385	950,492	2019-12-09 17:24

Pellematic 56_cat IV_run 1_191209_2 underlag till rådata PDF.DAT

Category: IV

	301	302	304	305	306	308	317	1311	1312	1313	1314	1315	1316	1317	1318	1101	1102
Mättid	CO chimney	CO2 chimney	Pdyn	Pstat	Static pressure chimney	O2 chimney	Våg	Flue gas temp	Ambient	Flue gas at pitot	filter temp 1	filter temp 2	gas meter temp 1	gas meter temp 2	gasmeter temp ambient		T4 outlet load side
Minuter	VDC	VDC	VDC	VDC	VDC	VDC	VDC	°C	°C	°C	°C	°C	°C	°C	°C	°C	°C
260,167	0,235	0,850	1,323	0,168	0,017	0,139	1,208	129,641	20,181	34,958	26,321	24,370	21,014	21,483	31,096	20,775	64,631
260,500	0,225	0,820	1,329	0,168	0,009	0,166	1,206	129,606	20,096	35,000	26,312	24,371	21,016	21,491	31,109	20,776	64,768
260,833	0,225	0,802	1,331	0,171	0,014	0,181	1,205	129,588	19,970	34,985	26,321	24,366	21,018	21,485	31,115	20,774	64,827
261,167	0,227	0,805	1,328	0,167	0,017	0,179	1,204	129,579	20,055	35,046	26,318	24,367	21,022	21,485	31,117	20,774	64,805
261,500	0,226	0,816	1,332	0,169	0,009	0,168	1,203	129,631	20,098	35,077	26,331	24,364	21,029	21,497	31,128	20,778	64,822
261,833	0,227	0,820	1,325	0,168	0,009	0,166	1,201	129,615	20,029	34,985	26,318	24,364	21,015	21,495	31,123	20,774	64,832
262,167	0,226	0,819	1,334	0,169	0,012	0,167	1,200	129,619	20,063	34,972	26,319	24,369	21,017	21,492	31,120	20,772	64,738
262,500	0,231	0,814	1,329	0,168	0,012	0,169	1,200	129,618	20,111	34,952	26,301	24,401	21,018	21,490	31,121	20,776	64,852
262,834	0,240	0,816	1,323	0,168	0,010	0,168	1,198	129,619	20,111	35,107	26,319	24,391	21,019	21,479	31,110	20,772	64,826
263,167	0,232	0,827	1,323	0,168	0,014	0,158	1,197	129,665	20,112	35,056	26,346	24,405	21,034	21,494	31,117	20,777	64,815
263,500	0,246	0,842	1,319	0,169	0,016	0,146	1,196	129,704	20,109	35,028	26,340	24,391	21,034	21,502	31,098	20,772	64,762
263,834	0,236	0,832	1,325	0,169	0,016	0,153	1,195	129,752	20,082	35,066	26,321	24,379	21,031	21,497	31,117	20,771	64,713
264,167	0,237	0,839	1,329	0,169	0,014	0,149	1,194	129,784	20,042	35,187	26,350	24,393	21,030	21,486	31,118	20,770	64,799
264,500	0,229	0,832	1,324	0,167	0,014	0,155	1,193	129,839	20,079	35,311	26,362	24,403	21,027	21,505	31,125	20,773	64,883
264,834	0,227	0,843	1,331	0,169	0,030	0,146	1,192	129,866	20,087	35,233	26,358	24,405	21,034	21,494	31,135	20,769	64,963
265,167	0,236	0,847	1,321	0,169	0,020	0,141	1,190	129,926	20,095	35,142	26,335	24,393	21,029	21,494	31,132	20,770	64,920
265,500	0,234	0,833	1,334	0,169	0,008	0,154	1,190	129,925	20,103	35,237	26,353	24,398	21,030	21,506	31,128	20,770	64,917
265,833	0,231	0,839	1,334	0,168	0,017	0,150	1,188	129,956	20,088	35,171	26,371	24,415	21,024	21,509	31,140	20,767	64,926
266,167	0,233	0,833	1,334	0,169	0,018	0,154	1,187	129,960	20,019	35,187	26,387	24,404	21,028	21,509	31,143	20,767	64,918
266,500	0,232	0,848	1,340	0,171	0,020	0,142	1,186	129,952	20,011	35,154	26,371	24,411	21,030	21,496	31,133	20,766	64,931
266,833	0,223	0,821	1,339	0,167	0,016	0,166	1,185	129,954	20,061	35,138	26,373	24,397	21,026	21,505	31,142	20,765	64,996
267,167	0,229	0,811	1,334	0,168	0,022	0,173	1,184	129,924	20,108	35,106	26,375	24,398	21,036	21,503	31,142	20,767	64,953
267,500	0,233	0,821	1,334	0,170	0,017	0,164	1,183	129,932	20,067	35,128	26,379	24,410	21,025	21,502	31,153	20,765	64,934
267,833	0,231	0,829	1,335	0,168	0,017	0,157	1,182	129,955	20,109	35,154	26,364	24,411	21,027	21,513	31,155	20,767	64,972
268,167	0,226	0,826	1,328	0,169	0,018	0,159	1,180	129,967	20,096	35,223	26,358	24,421	21,024	21,509	31,157	20,765	65,020
268,500	0,226	0,832	1,320	0,169	0,017	0,156	1,180	129,972	20,077	35,155	26,369	24,428	21,038	21,504	31,159	20,766	65,044
268,833	0,236	0,823	1,338	0,170	0,017	0,163	1,179	129,982	20,077	35,073	26,358	24,412	21,032	21,511	31,161	20,767	65,066
269,167	0,241	0,831	1,340	0,169	0,009	0,154	1,177	130,028	20,068	35,148	26,354	24,405	21,023	21,509	31,167	20,767	65,108
269,500	0,243	0,850	1,332	0,169	0,019	0,139	1,176	130,047	20,077	35,168	26,355	24,400	21,023	21,508	31,168	20,765	65,176

Pellematic 56_cat IV_run 1_191209_2 underlag till rådata PDF.DAT

Category: IV

	1103	1108	1109	130	230	101	102	1	2	3	6	7	8	11	
Mättid	T3 inlet load side	T2 inlet boiler	T1 outlet boiler	Flow load side	Flow boiler side	Heat output load side	Heat output boiler	CO chimney	CO2 chimney	O2 chimney	Pstat	Pdyn	Tunnel velocity	Våg	Tidpunkt
Minuter	°C	°C	°C	m³/h	m³/h	W	W	ppm	%	%	Pa	Pa	m/s	kg	Klockan
260,167	43,555	53,891	72,828	2,211	2,467	53632,104	53562,147	76,935	16,227	4,156	6,732	53,197	9,416	950,474	2019-12-09 17:24
260,500	43,656	54,036	72,866	2,210	2,469	53702,674	53298,024	60,614	15,154	4,995	6,718	53,371	9,431	950,347	2019-12-09 17:24
260,833	43,656	54,147	72,906	2,210	2,467	53854,120	53059,115	74,339	15,158	5,443	6,827	53,235	9,419	950,253	2019-12-09 17:25
261,167	43,633	54,156	72,955	2,211	2,465	53889,919	53133,418	69,100	15,014	5,362	6,699	53,262	9,422	950,186	2019-12-09 17:25
261,500	43,620	54,146	72,925	2,209	2,467	53899,647	53115,086	67,254	15,376	5,031	6,745	53,459	9,439	950,159	2019-12-09 17:25
261,833	43,529	54,151	72,802	2,209	2,467	54153,267	52752,106	65,919	15,335	4,994	6,706	53,299	9,425	950,066	2019-12-09 17:26
262,167	43,461	54,093	73,084	2,212	2,466	54161,799	53682,594	79,434	15,763	5,009	6,748	53,498	9,443	949,978	2019-12-09 17:26
262,500	43,404	54,074	73,027	2,209	2,463	54528,053	53532,094	84,934	15,344	5,084	6,702	52,946	9,394	949,973	2019-12-09 17:26
262,834	43,148	54,025	72,980	2,210	2,471	55154,131	53691,366	90,220	15,364	5,049	6,707	53,050	9,403	949,847	2019-12-09 17:27
263,167	42,819	53,927	73,001	2,210	2,467	55970,947	53956,081	87,952	15,778	4,744	6,727	52,963	9,395	949,753	2019-12-09 17:27
263,500	42,640	53,773	73,106	2,207	2,467	56222,949	54688,676	123,468	16,167	4,388	6,776	52,711	9,373	949,753	2019-12-09 17:27
263,834	42,740	53,663	73,259	2,211	2,467	55946,283	55438,568	86,827	15,805	4,600	6,744	53,016	9,400	949,659	2019-12-09 17:28
264,167	43,024	53,702	73,247	2,213	2,469	55471,919	55334,414	85,798	15,873	4,458	6,748	53,565	9,449	949,565	2019-12-09 17:28
264,500	43,341	53,863	73,147	2,211	2,465	54839,273	54511,067	68,932	15,782	4,661	6,677	52,998	9,398	949,565	2019-12-09 17:28
264,834	43,367	54,058	73,189	2,209	2,472	54909,682	54218,730	82,037	16,428	4,375	6,774	53,353	9,430	949,473	2019-12-09 17:29
265,167	43,303	54,088	73,187	2,210	2,467	54991,012	54025,776	81,971	15,984	4,225	6,757	52,889	9,389	949,350	2019-12-09 17:29
265,500	43,266	54,048	73,195	2,209	2,466	55048,482	54129,101	82,097	15,595	4,620	6,766	53,285	9,424	949,350	2019-12-09 17:29
265,833	43,347	54,023	73,206	2,211	2,467	54932,447	54264,215	73,731	16,127	4,495	6,702	53,424	9,436	949,255	2019-12-09 17:30
266,167	43,483	54,081	73,002	2,213	2,467	54600,265	53523,470	81,691	15,804	4,628	6,742	53,557	9,448	949,161	2019-12-09 17:30
266,500	43,577	54,126	73,085	2,210	2,470	54316,954	53692,934	67,988	16,096	4,252	6,824	53,365	9,431	949,067	2019-12-09 17:30
266,833	43,564	54,195	73,106	2,210	2,464	54519,761	53414,581	59,182	15,237	4,971	6,691	53,652	9,456	949,067	2019-12-09 17:31
267,167	43,544	54,194	73,022	2,210	2,469	54464,811	53290,441	85,038	15,442	5,176	6,726	53,284	9,424	948,975	2019-12-09 17:31
267,500	43,588	54,165	73,101	2,214	2,467	54402,572	53560,916	95,450	15,799	4,927	6,793	53,252	9,421	948,932	2019-12-09 17:31
267,833	43,643	54,199	73,135	2,210	2,467	54254,768	53558,226	75,722	15,598	4,705	6,717	53,501	9,443	948,848	2019-12-09 17:32
268,167	43,598	54,244	73,272	2,211	2,465	54527,418	53776,976	63,218	15,496	4,783	6,766	53,259	9,422	948,755	2019-12-09 17:32
268,500	43,571	54,238	73,257	2,211	2,471	54655,867	53868,051	74,360	15,904	4,684	6,751	52,690	9,371	948,754	2019-12-09 17:32
268,833	43,558	54,238	73,293	2,213	2,471	54783,151	53977,311	101,240	15,765	4,898	6,793	53,406	9,435	948,661	2019-12-09 17:33
269,167	43,686	54,246	73,324	2,212	2,469	54526,689	53999,284	91,649	15,714	4,625	6,767	53,531	9,446	948,567	2019-12-09 17:33
269,500	43,818	54,346	73,326	2,210	2,467	54325,123	53676,395	86,144	16,061	4,174	6,766	53,160	9,413	948,475	2019-12-09 17:33

Pellematic 56_cat IV_run 1_191209_2 underlag till rådata PDF.DAT

Category: IV

	301	302	304	305	306	308	317	1311	1312	1313	1314	1315	1316	1317	1318	1101	1102
Mättid	CO chimney	CO2 chimney	Pdyn	Pstat	Static pressure chimney	O2 chimney	Våg	Flue gas temp	Ambient	Flue gas at pitot	filter temp 1	filter temp 2	gas meter temp 1	gas meter temp 2	gasmeter temp ambient		T4 outlet load side
Minuter	VDC	VDC	VDC	VDC	VDC	VDC	VDC	°C	°C	°C	°C	°C	°C	°C	°C	°C	°C
269,834	0,230	0,840	1,334	0,169	0,016	0,148	1,176	130,082	20,002	35,250	26,376	24,409	21,025	21,517	31,186	20,767	65,211
270,167	0,233	0,848	1,334	0,169	0,015	0,141	1,173	130,143	19,930	35,146	26,345	24,403	21,025	21,503	31,196	20,764	65,282
270,500	0,227	0,841	1,341	0,168	0,020	0,145	1,172	130,170	20,040	35,071	26,321	24,396	21,016	21,523	31,199	20,767	65,327
270,834	0,231	0,842	1,330	0,172	0,008	0,146	1,171	130,175	20,054	35,064	26,310	24,403	21,015	21,514	31,200	20,766	65,324
271,167	0,230	0,829	1,333	0,170	0,013	0,158	1,171	130,187	20,018	35,144	26,317	24,408	21,011	21,513	31,201	20,766	65,374
271,500	0,228	0,827	1,341	0,169	0,013	0,161	1,170	130,208	20,050	35,076	26,325	24,410	21,020	21,522	31,213	20,765	65,397
271,834	0,226	0,803	1,330	0,167	0,010	0,179	1,169	130,195	20,041	34,979	26,328	24,411	21,017	21,504	31,215	20,766	65,309
272,167	0,227	0,813	1,329	0,169	0,020	0,172	1,167	130,194	19,972	35,043	26,334	24,408	21,010	21,515	31,208	20,765	65,249
272,500	0,228	0,811	1,337	0,170	0,010	0,175	1,167	130,169	20,028	35,076	26,330	24,410	21,028	21,512	31,200	20,764	65,180
272,833	0,226	0,809	1,329	0,169	0,010	0,174	1,165	130,151	20,029	35,071	26,328	24,404	21,020	21,500	31,208	20,764	65,186
273,167	0,227	0,835	1,326	0,170	0,013	0,152	1,164	130,227	20,027	35,041	26,320	24,408	21,017	21,511	31,207	20,765	65,211
273,500	0,224	0,820	1,315	0,169	0,023	0,166	1,163	130,232	20,018	34,993	26,309	24,397	21,011	21,511	31,188	20,761	65,251
273,833	0,223	0,808	1,324	0,170	0,022	0,176	1,163	130,188	20,018	34,914	26,296	24,404	21,006	21,507	31,194	20,763	65,229
274,167	0,226	0,805	1,328	0,168	0,019	0,177	1,162	130,173	20,039	35,007	26,311	24,407	21,009	21,506	31,185	20,763	65,203
274,500	0,232	0,828	1,340	0,169	0,023	0,159	1,161	130,179	20,063	35,010	26,317	24,404	21,009	21,507	31,184	20,764	65,189
274,833	0,229	0,825	1,338	0,168	0,016	0,161	1,160	130,209	20,053	35,000	26,324	24,388	21,005	21,505	31,197	20,764	65,112
275,167	0,226	0,808	1,334	0,169	0,026	0,177	1,159	130,168	20,034	34,897	26,311	24,378	20,996	21,518	31,193	20,764	65,165
275,500	0,225	0,781	1,341	0,170	0,017	0,198	1,158	130,103	20,029	34,883	26,315	24,383	21,003	21,512	31,190	20,762	65,186
275,833	0,226	0,777	1,335	0,171	0,020	0,203	1,156	130,030	19,997	34,966	26,302	24,389	20,991	21,513	31,170	20,763	65,194
276,167	0,227	0,790	1,328	0,170	0,023	0,191	1,155	129,995	19,937	35,035	26,317	24,383	21,004	21,505	31,170	20,761	65,229
276,500	0,231	0,805	1,327	0,171	0,014	0,178	1,155	129,997	19,946	34,921	26,292	24,367	20,992	21,519	31,152	20,762	65,219
276,834	0,241	0,835	1,325	0,171	0,014	0,151	1,153	130,037	20,048	34,898	26,265	24,376	20,991	21,517	31,163	20,761	65,131
277,167	0,234	0,844	1,324	0,170	0,018	0,144	1,152	130,094	20,073	34,994	26,262	24,389	20,989	21,512	31,140	20,760	65,120
277,500	0,229	0,825	1,339	0,169	0,020	0,162	1,152	130,103	20,077	35,048	26,265	24,394	20,994	21,510	31,127	20,761	65,128
277,834	0,232	0,817	1,337	0,169	0,021	0,168	1,151	130,099	20,004	35,317	26,307	24,402	20,989	21,513	31,124	20,762	65,180
278,167	0,236	0,822	1,347	0,170	0,017	0,163	1,148	130,122	20,040	35,324	26,321	24,407	20,995	21,515	31,123	20,761	65,209
278,500	0,232	0,830	1,336	0,168	0,026	0,156	1,147	130,149	20,031	35,345	26,328	24,403	21,001	21,515	31,125	20,762	65,247
278,833	0,243	0,825	1,331	0,168	0,012	0,161	1,147	130,146	19,973	35,246	26,330	24,412	20,998	21,515	31,132	20,762	65,235
279,167	0,241	0,816	1,331	0,169	0,018	0,168	1,145	130,162	19,998	35,205	26,330	24,403	20,977	21,519	31,132	20,760	65,253

Pellematic 56_cat IV_run 1_191209_2 underlag till rådata PDF.DAT

Category: IV

	1103	1108	1109	130	230	101	102	1	2	3	6	7	8	11	
Mättid	T3 inlet load side	T2 inlet boiler	T1 outlet boiler	Flow load side	Flow boiler side	Heat output load side	Heat output boiler	CO chimney	CO2 chimney	O2 chimney	Pstat	Pdyn	Tunnel velocity	Våg	Tidpunkt
Minuter	°C	°C	°C	m³/h	m³/h	W	W	ppm	%	%	Pa	Pa	m/s	kg	Klockan
269,834	43,847	54,404	73,484	2,213	2,470	54406,192	54037,120	82,760	16,368	4,439	6,753	53,435	9,437	948,475	2019-12-09 17:34
270,167	43,732	54,466	73,497	2,213	2,471	54886,130	53898,287	90,184	16,178	4,237	6,753	53,178	9,414	948,255	2019-12-09 17:34
270,500	43,735	54,439	73,612	2,209	2,471	54887,768	54303,981	70,285	15,841	4,359	6,723	53,869	9,475	948,255	2019-12-09 17:34
270,834	43,813	54,449	73,534	2,209	2,465	54680,928	53938,431	78,427	15,854	4,388	6,891	53,030	9,401	948,162	2019-12-09 17:35
271,167	43,819	54,485	73,588	2,211	2,469	54863,000	54063,126	73,041	15,806	4,746	6,798	53,512	9,444	948,161	2019-12-09 17:35
271,500	43,634	54,509	73,493	2,211	2,469	55392,833	53725,939	69,816	15,527	4,817	6,744	53,750	9,465	948,067	2019-12-09 17:35
271,834	43,166	54,398	73,507	2,210	2,470	56337,958	54118,922	67,322	14,953	5,381	6,687	53,177	9,414	948,067	2019-12-09 17:36
272,167	42,791	54,164	73,670	2,209	2,469	57112,025	55215,447	71,696	15,330	5,146	6,764	53,253	9,421	947,850	2019-12-09 17:36
272,500	42,769	53,963	73,730	2,209	2,465	56990,805	55878,579	76,445	15,469	5,236	6,781	53,328	9,428	947,849	2019-12-09 17:36
272,833	43,022	53,912	73,521	2,207	2,465	56320,052	55429,217	65,393	15,179	5,234	6,746	53,176	9,414	947,756	2019-12-09 17:37
273,167	43,191	54,031	73,637	2,212	2,467	56061,450	55461,571	65,901	15,895	4,566	6,790	53,131	9,410	947,755	2019-12-09 17:37
273,500	43,240	54,126	73,628	2,210	2,463	55996,308	55070,529	60,934	15,457	4,993	6,778	52,525	9,356	947,662	2019-12-09 17:37
273,833	43,246	54,152	73,583	2,209	2,464	55895,039	54902,922	58,301	15,250	5,268	6,819	53,300	9,425	947,661	2019-12-09 17:38
274,167	43,256	54,154	73,539	2,209	2,463	55797,472	54752,841	65,218	15,193	5,313	6,718	53,408	9,435	947,568	2019-12-09 17:38
274,500	43,400	54,156	73,365	2,210	2,467	55433,131	54332,532	80,960	15,472	4,778	6,744	53,461	9,439	947,568	2019-12-09 17:38
274,833	43,731	54,200	73,248	2,209	2,464	54353,440	53803,521	79,686	15,787	4,842	6,726	53,325	9,427	947,476	2019-12-09 17:39
275,167	43,854	54,338	73,278	2,209	2,467	54171,769	53567,561	66,223	14,869	5,309	6,769	53,444	9,438	947,347	2019-12-09 17:39
275,500	43,942	54,419	73,276	2,211	2,464	54056,061	53254,520	67,900	14,360	5,933	6,809	53,488	9,442	947,347	2019-12-09 17:39
275,833	44,143	54,489	73,285	2,209	2,465	53513,574	53116,505	63,710	14,325	6,076	6,838	53,259	9,421	947,253	2019-12-09 17:40
276,167	44,196	54,576	73,208	2,212	2,466	53532,854	52671,249	71,945	14,919	5,734	6,790	53,122	9,409	947,159	2019-12-09 17:40
276,500	44,178	54,621	73,110	2,211	2,466	53542,115	52266,572	75,878	15,361	5,335	6,825	52,941	9,393	947,159	2019-12-09 17:40
276,834	44,060	54,571	73,180	2,210	2,465	53591,262	52590,624	109,395	15,836	4,542	6,838	53,184	9,415	947,065	2019-12-09 17:41
277,167	44,070	54,525	73,171	2,210	2,467	53538,942	52721,351	84,404	15,958	4,333	6,796	52,840	9,384	946,972	2019-12-09 17:41
277,500	44,056	54,522	73,228	2,210	2,465	53599,793	52865,289	75,462	15,559	4,856	6,780	53,534	9,446	946,973	2019-12-09 17:41
277,834	44,026	54,518	73,198	2,213	2,464	53864,886	52757,888	89,773	15,665	5,036	6,754	53,500	9,443	946,846	2019-12-09 17:42
278,167	43,918	54,517	73,215	2,213	2,465	54222,332	52842,168	83,480	15,511	4,895	6,784	53,660	9,457	946,658	2019-12-09 17:42
278,500	43,783	54,474	73,355	2,209	2,464	54565,674	53328,113	83,409	15,703	4,686	6,716	53,361	9,430	946,658	2019-12-09 17:42
278,833	43,783	54,461	73,494	2,211	2,472	54599,883	53932,730	116,034	15,696	4,817	6,733	53,359	9,430	946,658	2019-12-09 17:43
279,167	43,646	54,434	73,473	2,211	2,469	54994,719	53880,990	102,122	15,555	5,040	6,745	53,148	9,412	946,565	2019-12-09 17:43

Pellematic 56_cat IV_run 1_191209_2 underlag till rådata PDF.DAT

Category: IV

	301	302	304	305	306	308	317	1311	1312	1313	1314	1315	1316	1317	1318	1101	1102
Mättid	CO chimney	CO2 chimney	Pdyn	Pstat	Static pressure chimney	O2 chimney	Våg	Flue gas temp	Ambient	Flue gas at pitot	filter temp 1	filter temp 2	gas meter temp 1	gas meter temp 2	gasmeter temp ambient		T4 outlet load side
Minuter	VDC	VDC	VDC	VDC	VDC	VDC	VDC	°C	°C	°C	°C	°C	°C	°C	°C	°C	°C
279,500	0,237	0,818	1,338	0,169	0,022	0,167	1,144	130,188	20,016	35,088	26,309	24,396	20,985	21,521	31,127	20,760	65,263
279,833	0,228	0,820	1,333	0,168	0,021	0,165	1,144	130,222	20,021	35,124	26,312	24,407	20,983	21,516	31,143	20,758	65,188
280,167	0,230	0,812	1,335	0,169	0,007	0,173	1,142	130,201	20,029	35,126	26,305	24,397	20,976	21,514	31,130	20,758	65,134
280,500	0,230	0,798	1,341	0,168	0,013	0,185	1,141	130,210	20,049	35,322	26,329	24,411	20,989	21,518	31,137	20,758	65,188
280,833	0,229	0,818	1,327	0,169	0,018	0,166	1,140	130,210	20,036	35,109	26,319	24,411	20,972	21,515	31,141	20,758	65,125
281,167	0,233	0,830	1,331	0,170	0,012	0,157	1,139	130,206	20,007	35,214	26,324	24,414	20,984	21,507	31,141	20,757	65,047
281,500	0,230	0,840	1,335	0,170	0,011	0,148	1,138	130,254	20,045	35,217	26,330	24,414	20,973	21,521	31,139	20,756	64,994
281,833	0,227	0,825	1,322	0,169	0,008	0,160	1,137	130,227	20,066	35,167	26,333	24,423	20,978	21,518	31,142	20,758	64,883
282,167	0,237	0,829	1,330	0,170	0,019	0,156	1,136	130,255	20,057	35,277	26,343	24,441	20,976	21,507	31,139	20,756	64,863
282,500	0,226	0,843	1,334	0,171	0,017	0,147	1,135	130,226	20,073	35,029	26,329	24,420	20,983	21,520	31,148	20,757	64,861
282,834	0,225	0,823	1,337	0,168	0,015	0,164	1,135	130,222	20,033	35,033	26,315	24,417	20,976	21,512	31,143	20,757	64,867
283,167	0,229	0,821	1,335	0,169	0,012	0,163	1,132	130,214	20,065	35,000	26,303	24,421	20,969	21,522	31,151	20,757	64,809
283,500	0,235	0,835	1,337	0,169	0,017	0,152	1,132	130,212	20,048	35,179	26,328	24,428	20,974	21,514	31,154	20,756	64,824
283,834	0,231	0,839	1,332	0,172	0,018	0,150	1,131	130,202	20,033	35,116	26,333	24,436	20,976	21,519	31,148	20,758	64,800
284,167	0,227	0,821	1,338	0,170	0,022	0,165	1,130	130,186	20,014	35,039	26,333	24,428	20,973	21,523	31,141	20,758	64,713
284,500	0,231	0,844	1,331	0,169	0,016	0,143	1,128	130,170	20,003	35,105	26,343	24,420	20,976	21,527	31,151	20,758	64,674
284,834	0,231	0,840	1,339	0,170	0,019	0,149	1,128	130,164	20,060	35,132	26,341	24,435	20,976	21,533	31,129	20,759	64,705
285,167	0,234	0,823	1,340	0,169	0,018	0,164	1,128	130,178	20,054	35,048	26,338	24,424	20,968	21,525	31,141	20,756	64,680
285,500	0,234	0,841	1,327	0,169	0,014	0,147	1,126	130,226	20,071	35,181	26,357	24,432	20,966	21,518	31,127	20,759	64,664
285,833	0,229	0,835	1,331	0,169	0,017	0,152	1,123	130,228	20,006	35,158	26,354	24,419	20,972	21,529	31,121	20,760	64,671
286,167	0,231	0,821	1,332	0,171	0,017	0,164	1,123	130,210	19,995	35,098	26,337	24,418	20,969	21,524	31,126	20,756	64,700
286,500	0,232	0,830	1,327	0,171	0,014	0,158	1,123	130,208	19,979	35,040	26,321	24,402	20,969	21,528	31,114	20,756	64,676
286,833	0,230	0,825	1,332	0,168	0,019	0,161	1,121	130,214	20,060	35,069	26,305	24,393	20,968	21,525	31,115	20,758	64,679
287,167	0,225	0,819	1,328	0,171	0,009	0,167	1,120	130,151	20,101	34,810	26,291	24,386	20,965	21,525	31,114	20,756	64,666
287,500	0,224	0,796	1,318	0,168	0,017	0,186	1,119	130,143	20,074	35,014	26,311	24,391	20,977	21,517	31,111	20,758	64,658
287,833	0,232	0,812	1,326	0,170	0,012	0,173	1,117	130,122	20,077	34,979	26,313	24,387	20,975	21,520	31,097	20,757	64,564
288,167	0,235	0,828	1,342	0,171	0,015	0,157	1,118	130,146	20,062	35,067	26,287	24,380	20,970	21,518	31,086	20,756	64,490
288,500	0,233	0,848	1,337	0,170	0,012	0,141	1,115	130,149	20,098	34,981	26,292	24,371	20,981	21,522	31,091	20,758	64,480
288,833	0,233	0,850	1,327	0,170	0,016	0,138	1,114	130,147	20,050	35,074	26,302	24,371	20,977	21,524	31,081	20,756	64,503

Pellematic 56_cat IV_run 1_191209_2 underlag till rådata PDF.DAT

Category: IV

	1103	1108	1109	130	230	101	102	1	2	3	6	7	8	11	
Mättid	T3 inlet load side	T2 inlet boiler	T1 outlet boiler	Flow load side	Flow boiler side	Heat output load side	Heat output boiler	CO chimney	CO2 chimney	O2 chimney	Pstat	Pdyn	Tunnel velocity	Våg	Tidpunkt
Minuter	°C	°C	°C	m³/h	m³/h	W	W	ppm	%	%	Pa	Pa	m/s	kg	Klockan
279,500	43,396	54,365	73,377	2,210	2,463	55631,865	53679,191	85,252	15,308	5,004	6,769	53,411	9,435	946,473	2019-12-09 17:43
279,833	43,252	54,255	73,467	2,210	2,461	55811,087	54204,710	71,340	15,462	4,960	6,727	53,230	9,419	946,472	2019-12-09 17:44
280,167	43,204	54,130	73,705	2,207	2,465	55723,832	55321,863	78,422	15,186	5,190	6,763	53,417	9,435	946,347	2019-12-09 17:44
280,500	43,099	54,113	73,572	2,210	2,464	56196,686	54973,487	73,416	14,987	5,539	6,700	53,751	9,465	946,253	2019-12-09 17:44
280,833	42,989	54,066	73,450	2,209	2,465	56285,795	54792,692	75,130	15,413	4,990	6,760	52,961	9,395	946,253	2019-12-09 17:45
281,167	42,908	53,993	73,468	2,210	2,465	56334,544	55054,152	90,726	15,874	4,709	6,794	53,552	9,447	946,158	2019-12-09 17:45
281,500	42,843	53,910	73,351	2,208	2,464	56306,413	54919,930	79,208	16,322	4,442	6,801	53,557	9,448	946,159	2019-12-09 17:45
281,833	42,846	53,859	73,176	2,209	2,465	56054,660	54605,641	69,918	15,336	4,812	6,773	52,923	9,392	946,065	2019-12-09 17:46
282,167	42,862	53,816	73,274	2,207	2,462	55910,686	54930,437	86,928	15,657	4,671	6,783	53,323	9,427	945,973	2019-12-09 17:46
282,500	42,821	53,804	73,348	2,206	2,459	55977,736	55117,478	63,852	16,085	4,412	6,822	53,455	9,439	945,848	2019-12-09 17:46
282,834	42,776	53,786	73,234	2,207	2,462	56142,982	54908,387	69,308	15,421	4,909	6,732	53,245	9,420	945,847	2019-12-09 17:47
283,167	42,746	53,767	73,293	2,207	2,463	56071,588	55138,058	80,258	15,509	4,898	6,756	53,454	9,439	945,752	2019-12-09 17:47
283,500	42,677	53,737	73,331	2,209	2,462	56321,023	55316,847	91,085	15,802	4,552	6,769	53,184	9,415	945,753	2019-12-09 17:47
283,834	42,585	53,694	73,209	2,207	2,463	56456,620	55127,014	75,264	15,978	4,501	6,866	53,104	9,408	945,660	2019-12-09 17:48
284,167	42,515	53,642	73,132	2,209	2,464	56456,670	55065,292	71,513	15,546	4,958	6,784	53,329	9,428	945,566	2019-12-09 17:48
284,500	42,510	53,574	73,145	2,208	2,464	56351,118	55298,619	82,140	16,280	4,300	6,762	53,285	9,424	945,473	2019-12-09 17:48
284,834	42,505	53,580	73,106	2,208	2,463	56438,523	55159,562	81,042	15,657	4,466	6,784	53,521	9,445	945,473	2019-12-09 17:49
285,167	42,495	53,576	73,269	2,210	2,461	56448,083	55574,265	91,894	15,733	4,927	6,741	53,378	9,432	945,473	2019-12-09 17:49
285,500	42,495	53,529	73,149	2,208	2,463	56356,986	55418,425	94,901	16,566	4,406	6,754	53,160	9,413	945,349	2019-12-09 17:49
285,833	42,477	53,536	73,150	2,209	2,461	56445,121	55361,714	74,502	15,629	4,563	6,778	53,217	9,418	945,163	2019-12-09 17:50
286,167	42,453	53,561	73,075	2,209	2,463	56579,687	55107,825	81,095	15,399	4,932	6,848	53,290	9,424	945,162	2019-12-09 17:50
286,500	42,423	53,550	73,268	2,206	2,458	56523,032	55592,132	83,626	15,869	4,745	6,822	52,850	9,385	945,161	2019-12-09 17:50
286,833	42,400	53,502	73,104	2,208	2,465	56651,388	55417,919	73,977	15,776	4,817	6,735	53,359	9,430	945,068	2019-12-09 17:51
287,167	42,388	53,502	73,174	2,209	2,464	56670,443	55583,826	59,367	15,145	5,004	6,829	53,048	9,403	944,975	2019-12-09 17:51
287,500	42,386	53,510	73,014	2,212	2,465	56716,049	55141,799	67,552	14,920	5,588	6,726	53,083	9,406	944,849	2019-12-09 17:51
287,833	42,389	53,490	72,965	2,209	2,461	56398,067	54955,145	90,976	15,481	5,184	6,813	53,301	9,425	944,849	2019-12-09 17:52
288,167	42,368	53,421	72,960	2,210	2,464	56297,266	55206,896	85,879	15,821	4,705	6,827	53,579	9,450	944,849	2019-12-09 17:52
288,500	42,346	53,390	72,901	2,210	2,461	56326,931	55075,196	83,348	15,999	4,238	6,809	53,281	9,423	944,662	2019-12-09 17:52
288,833	42,372	53,409	72,788	2,210	2,463	56323,139	54738,437	84,403	16,292	4,146	6,795	53,198	9,416	944,568	2019-12-09 17:53

Pellematic 56_cat IV_run 1_191209_2 underlag till rådata PDF.DAT

Category: IV

	301	302	304	305	306	308	317	1311	1312	1313	1314	1315	1316	1317	1318	1101	1102
Mättid	CO chimney	CO2 chimney	Pdyn	Pstat	Static pressure chimney	O2 chimney	Våg	Flue gas temp	Ambient	Flue gas at pitot	filter temp 1	filter temp 2	gas meter temp 1	gas meter temp 2	gasmeter temp ambient		T4 outlet load side
Minuter	VDC	VDC	VDC	VDC	VDC	VDC	VDC	°C	°C	°C	°C	°C	°C	°C	°C	°C	°C
289,167	0,234	0,848	1,320	0,169	0,021	0,143	1,114	130,142	20,081	34,933	26,286	24,370	20,971	21,519	31,070	20,756	64,449
289,500	0,234	0,846	1,310	0,169	0,021	0,141	1,112	130,165	20,101	35,002	26,286	24,359	20,982	21,524	31,059	20,756	64,474
289,834	0,262	0,864	1,320	0,170	0,016	0,126	1,112	130,173	20,109	35,161	26,299	24,355	20,981	21,523	31,066	20,757	64,492
290,167	0,239	0,856	1,339	0,171	0,010	0,134	1,110	130,222	20,159	35,224	26,324	24,368	20,985	21,529	31,058	20,758	64,484
290,500	0,230	0,850	1,325	0,171	0,015	0,140	1,109	130,231	20,175	35,252	26,300	24,364	20,992	21,524	31,064	20,758	64,494
290,834	0,227	0,844	1,322	0,180	0,010	0,145	1,108	130,205	20,176	34,857	26,237	24,332	20,984	21,529	31,054	20,758	64,476
291,167	0,224	0,836	1,330	0,197	0,022	0,150	1,108	129,148	20,148	30,587	25,827	24,217	20,987	21,523	31,047	20,756	64,459
291,500	0,249	0,900	1,336	0,199	0,023	0,100	1,108	127,587	20,129	28,120	25,439	24,108	20,996	21,520	31,048	20,758	64,348
291,834	0,222	0,845	1,353	0,198	0,022	0,149	1,108	126,148	20,114	27,184	25,153	24,014	21,002	21,531	31,046	20,760	64,211
292,167	0,211	0,762	1,359	0,194	0,011	0,224	1,108	124,817	20,124	26,865	24,957	23,920	20,998	21,531	31,033	20,760	63,854
292,500	0,208	0,681	1,352	0,195	0,010	0,294	1,110	123,559	20,121	26,532	24,780	23,848	21,002	21,518	31,042	20,760	63,469
292,833	0,208	0,611	1,354	0,195	0,013	0,351	1,110	122,356	20,083	26,161	24,623	23,783	20,996	21,531	31,041	20,759	62,933
293,167	0,210	0,555	1,367	0,194	0,015	0,400	1,110	121,203	20,123	25,952	24,484	23,746	21,004	21,528	31,023	20,762	62,346
293,500	0,214	0,516	1,362	0,194	0,012	0,434	1,112	120,076	20,199	25,605	24,357	23,680	20,996	21,529	31,028	20,760	61,736
293,833	0,218	0,479	1,361	0,196	0,015	0,467	1,112	118,820	20,150	24,286	24,150	23,602	20,998	21,526	31,025	20,762	61,088
294,167	0,217	0,398	1,370	0,195	0,014	0,535	1,113	117,419	20,197	23,561	23,965	23,538	20,995	21,535	31,021	20,764	60,502
294,500	0,216	0,349	1,368	0,180	0,015	0,579	1,113	116,259	20,156	24,636	23,941	23,488	20,991	21,539	31,012	20,761	59,938
294,833	0,324	0,452	1,357	0,172	0,013	0,490	1,115	115,273	20,106	27,959	24,173	23,529	20,998	21,535	31,019	20,762	59,301
295,167	0,379	0,365	1,362	0,166	0,018	0,558	1,115	114,184	20,158	29,062	24,359	23,550	20,999	21,541	31,007	20,764	58,696
295,500	0,366	0,352	1,353	0,162	0,016	0,571	1,115	113,311	20,146	29,931	24,505	23,573	20,993	21,545	31,003	20,765	58,100
295,833	0,394	0,332	1,350	0,156	0,015	0,591	1,115	112,664	20,192	31,020	24,670	23,601	21,006	21,549	31,010	20,766	57,575
296,167	0,430	0,322	1,355	0,156	0,018	0,598	1,115	112,234	20,255	31,440	24,783	23,612	21,006	21,531	31,008	20,766	57,158
296,500	0,321	0,367	1,363	0,152	0,011	0,553	1,115	112,062	20,267	31,861	24,903	23,626	20,999	21,540	31,010	20,768	56,862
296,834	0,272	0,438	1,354	0,149	0,011	0,492	1,115	112,090	20,260	32,434	25,022	23,645	21,006	21,551	30,994	20,767	56,566
297,167	0,230	0,526	1,347	0,150	0,015	0,417	1,115	112,276	20,242	32,671	25,108	23,670	21,013	21,548	30,968	20,768	56,296
297,500	0,219	0,596	1,352	0,149	0,018	0,357	1,114	112,589	20,213	33,004	25,203	23,687	21,025	21,541	30,928	20,769	56,062
297,834	0,215	0,646	1,340	0,150	0,020	0,313	1,112	112,970	20,237	33,210	25,269	23,694	21,030	21,548	30,935	20,768	55,903
298,167	0,215	0,689	1,339	0,149	0,021	0,276	1,112	113,438	20,250	33,319	25,314	23,707	21,023	21,563	30,931	20,771	55,811
298,500	0,215	0,716	1,338	0,150	0,015	0,254	1,111	113,891	20,268	33,370	25,366	23,706	21,027	21,549	30,919	20,771	55,737

Pellematic 56_cat IV_run 1_191209_2 underlag till rådata PDF.DAT

Category: IV

	1103	1108	1109	130	230	101	102	1	2	3	6	7	8	11	
Mättid	T3 inlet load side	T2 inlet boiler	T1 outlet boiler	Flow load side	Flow boiler side	Heat output load side	Heat output boiler	CO chimney	CO2 chimney	O2 chimney	Pstat	Pdyn	Tunnel velocity	Våg	Tidpunkt
Minuter	°C	°C	°C	m³/h	m³/h	W	W	ppm	%	%	Pa	Pa	m/s	kg	Klockan
289,167	42,383	53,416	72,886	2,212	2,463	56195,357	54988,258	96,359	16,066	4,280	6,771	52,759	9,377	944,568	2019-12-09 17:53
289,500	42,404	53,382	73,025	2,210	2,464	56165,084	55500,597	88,642	16,483	4,238	6,776	52,396	9,345	944,476	2019-12-09 17:53
289,834	42,427	53,419	72,951	2,210	2,462	56154,309	55150,808	99,921	16,332	3,786	6,809	52,915	9,391	944,475	2019-12-09 17:54
290,167	42,436	53,431	72,951	2,210	2,464	56105,076	55148,441	109,367	16,595	4,020	6,821	53,590	9,451	944,350	2019-12-09 17:54
290,500	42,454	53,445	72,962	2,210	2,462	56089,661	55111,782	73,476	16,327	4,204	6,822	52,891	9,389	944,256	2019-12-09 17:54
290,834	42,368	53,458	72,873	2,211	2,464	56300,162	54850,451	71,946	16,043	4,348	7,188	52,944	9,394	944,256	2019-12-09 17:55
291,167	42,241	53,392	72,759	2,209	2,460	56511,480	54642,847	50,001	15,952	4,509	7,881	53,413	9,435	944,162	2019-12-09 17:55
291,500	42,139	53,305	72,792	2,211	2,465	56558,713	55097,849	124,445	17,420	2,993	7,954	53,455	9,439	944,255	2019-12-09 17:55
291,834	42,059	53,203	72,293	2,209	2,465	56351,186	53960,077	45,239	15,664	4,474	7,911	54,349	9,517	944,256	2019-12-09 17:56
292,167	41,981	53,044	71,734	2,211	2,463	55698,861	52790,482	27,470	13,585	6,724	7,770	54,361	9,518	944,256	2019-12-09 17:56
292,500	41,817	52,800	70,814	2,209	2,462	55078,969	50872,046	23,761	11,471	8,816	7,791	53,931	9,481	944,349	2019-12-09 17:56
292,833	41,728	52,521	70,296	2,210	2,465	53972,535	50263,665	24,932	9,889	10,544	7,787	54,368	9,519	944,350	2019-12-09 17:57
293,167	41,713	52,216	69,476	2,209	2,465	52483,371	48816,004	29,708	8,568	11,986	7,757	54,895	9,565	944,350	2019-12-09 17:57
293,500	41,664	51,931	68,579	2,213	2,464	51156,256	47057,448	40,921	7,680	13,012	7,777	54,461	9,527	944,475	2019-12-09 17:57
293,833	41,658	51,602	67,921	2,212	2,464	49501,903	46131,351	51,205	6,687	14,011	7,826	54,411	9,523	944,475	2019-12-09 17:58
294,167	41,662	51,319	66,989	2,212	2,462	47994,964	44275,569	45,580	4,545	16,064	7,789	54,889	9,565	944,568	2019-12-09 17:58
294,500	41,589	51,058	66,198	2,211	2,463	46728,569	42791,144	42,312	3,520	17,380	7,209	54,399	9,522	944,568	2019-12-09 17:58
294,833	41,470	50,770	65,354	2,211	2,461	45408,429	41189,109	527,910	5,164	14,700	6,864	54,531	9,533	944,662	2019-12-09 17:59
295,167	41,398	50,423	64,609	2,210	2,460	44023,985	40058,797	429,111	4,037	16,739	6,650	54,726	9,550	944,662	2019-12-09 17:59
295,500	41,319	50,100	63,912	2,210	2,459	42709,761	38980,587	410,642	3,715	17,145	6,491	53,855	9,474	944,661	2019-12-09 17:59
295,833	41,234	49,816	63,344	2,209	2,457	41561,644	38157,275	554,711	3,138	17,717	6,222	54,068	9,493	944,662	2019-12-09 18:00
296,167	41,208	49,566	63,004	2,210	2,460	40594,928	37957,316	488,995	3,194	17,929	6,236	54,111	9,497	944,756	2019-12-09 18:00
296,500	41,180	49,372	62,614	2,207	2,462	39862,319	37429,606	275,169	4,583	16,594	6,063	54,588	9,538	944,755	2019-12-09 18:00
296,834	41,134	49,216	62,246	2,209	2,459	39251,586	36784,521	149,221	6,438	14,752	5,950	54,009	9,488	944,662	2019-12-09 18:01
297,167	41,250	49,078	61,939	2,210	2,456	38290,961	36275,760	70,302	8,478	12,510	6,016	54,107	9,496	944,661	2019-12-09 18:01
297,500	41,349	49,014	61,576	2,210	2,456	37438,392	35419,817	45,583	10,445	10,713	5,967	53,941	9,482	944,658	2019-12-09 18:01
297,834	41,345	48,953	61,579	2,206	2,459	36983,161	35643,110	38,030	11,507	9,375	5,991	53,511	9,444	944,476	2019-12-09 18:02
298,167	41,348	48,913	61,430	2,210	2,457	36807,013	35313,831	37,609	12,141	8,279	5,950	53,756	9,465	944,475	2019-12-09 18:02
298,500	41,495	48,867	61,524	2,210	2,454	36240,735	35665,448	39,870	12,856	7,617	5,994	53,626	9,454	944,350	2019-12-09 18:02

Pellematic 56_cat IV_run 1_191209_2 underlag till rådata PDF.DAT

Category: IV

	301	302	304	305	306	308	317	1311	1312	1313	1314	1315	1316	1317	1318	1101	1102
Mättid	CO chimney	CO2 chimney	Pdyn	Pstat	Static pressure chimney	O2 chimney	Våg	Flue gas temp	Ambient	Flue gas at pitot	filter temp 1	filter temp 2	gas meter temp 1	gas meter temp 2	gasmeter temp ambient		T4 outlet load side
Minuter	VDC	VDC	VDC	VDC	VDC	VDC	VDC	°C	°C	°C	°C	°C	°C	°C	°C	°C	°C
298,834	0,216	0,723	1,343	0,147	0,011	0,247	1,110	114,303	20,277	33,491	25,409	23,719	21,023	21,550	30,904	20,775	55,760
299,167	0,217	0,740	1,335	0,150	0,011	0,232	1,108	114,780	20,273	33,556	25,437	23,723	21,019	21,535	30,888	20,774	55,772
299,500	0,221	0,771	1,338	0,151	0,018	0,205	1,107	115,240	20,278	33,668	25,472	23,733	21,021	21,535	30,884	20,773	55,780
299,833	0,231	0,792	1,345	0,150	0,015	0,188	1,106	115,692	20,290	33,737	25,491	23,734	21,022	21,545	30,865	20,776	55,896
300,167	0,223	0,786	1,339	0,151	0,018	0,194	1,105	116,123	20,289	33,679	25,512	23,731	21,027	21,523	30,843	20,776	55,998
300,500	0,229	0,794	1,330	0,150	0,020	0,186	1,104	116,528	20,214	33,914	25,535	23,732	21,022	21,532	30,826	20,778	56,071
300,833	0,226	0,800	1,345	0,151	0,017	0,181	1,103	116,920	20,180	33,795	25,544	23,737	21,027	21,528	30,809	20,776	56,188
301,167	0,222	0,811	1,325	0,149	0,018	0,172	1,101	117,313	20,265	33,891	25,559	23,739	21,022	21,528	30,787	20,779	56,346
301,500	0,222	0,804	1,337	0,152	0,021	0,180	1,100	117,685	20,251	34,013	25,583	23,740	21,033	21,525	30,784	20,780	56,496
301,833	0,221	0,788	1,337	0,153	0,017	0,192	1,099	118,011	20,262	33,994	25,603	23,754	21,037	21,515	30,754	20,782	56,747
302,167	0,226	0,807	1,330	0,154	0,019	0,175	1,097	118,341	20,300	33,945	25,629	23,758	21,041	21,533	30,733	20,786	56,901
302,500	0,226	0,821	1,333	0,154	0,021	0,165	1,096	118,669	20,288	33,907	25,619	23,750	21,033	21,529	30,713	20,784	57,047
302,833	0,219	0,796	1,333	0,154	0,017	0,186	1,095	119,016	20,325	33,923	25,607	23,766	21,034	21,519	30,711	20,784	57,215
303,167	0,226	0,802	1,334	0,154	0,011	0,179	1,093	119,361	20,286	33,962	25,626	23,762	21,041	21,515	30,699	20,784	57,398
303,500	0,223	0,816	1,335	0,154	0,015	0,169	1,092	119,632	20,295	34,016	25,641	23,760	21,041	21,516	30,687	20,785	57,643
303,834	0,223	0,811	1,338	0,153	0,012	0,174	1,090	119,893	20,274	34,084	25,665	23,772	21,039	21,516	30,667	20,786	57,826
304,167	0,218	0,813	1,340	0,157	0,014	0,171	1,089	120,188	20,242	34,056	25,665	23,777	21,033	21,512	30,656	20,786	58,031
304,500	0,223	0,833	1,343	0,157	0,015	0,153	1,088	120,447	20,296	33,935	25,647	23,778	21,037	21,508	30,649	20,786	58,237
304,834	0,229	0,828	1,344	0,155	0,015	0,158	1,086	120,699	20,282	33,916	25,641	23,762	21,037	21,502	30,631	20,786	58,434
305,167	0,227	0,831	1,334	0,157	0,010	0,157	1,085	120,962	20,274	34,041	25,655	23,764	21,030	21,510	30,631	20,788	58,595
305,500	0,233	0,815	1,336	0,156	0,015	0,170	1,083	121,246	20,308	34,091	25,676	23,772	21,033	21,506	30,612	20,788	58,836
305,834	0,228	0,829	1,337	0,158	0,018	0,156	1,083	121,532	20,280	34,129	25,665	23,774	21,031	21,502	30,600	20,787	59,084
306,167	0,229	0,829	1,332	0,157	0,010	0,158	1,081	121,756	20,267	34,136	25,675	23,785	21,032	21,507	30,596	20,790	59,322
306,500	0,233	0,825	1,343	0,158	0,011	0,161	1,080	121,954	20,215	34,165	25,690	23,779	21,026	21,510	30,579	20,786	59,524
306,833	0,227	0,820	1,336	0,160	0,017	0,167	1,078	122,119	20,248	34,127	25,688	23,786	21,024	21,503	30,568	20,790	59,722
307,167	0,221	0,817	1,337	0,158	0,019	0,168	1,077	122,307	20,275	34,067	25,662	23,768	21,022	21,506	30,538	20,788	59,876
307,500	0,228	0,818	1,334	0,159	0,014	0,166	1,075	122,505	20,320	34,180	25,688	23,778	21,030	21,496	30,540	20,794	60,057
307,833	0,238	0,839	1,347	0,159	0,018	0,148	1,074	122,725	20,301	34,146	25,688	23,781	21,027	21,500	30,532	20,792	60,191
308,167	0,232	0,854	1,348	0,159	0,013	0,136	1,073	122,951	20,301	34,173	25,704	23,791	21,030	21,492	30,514	20,799	60,386

Pellematic 56_cat IV_run 1_191209_2 underlag till rådata PDF.DAT

Category: IV

	1103	1108	1109	130	230	101	102	1	2	3	6	7	8	11	
Mättid	T3 inlet load side	T2 inlet boiler	T1 outlet boiler	Flow load side	Flow boiler side	Heat output load side	Heat output boiler	CO chimney	CO2 chimney	O2 chimney	Pstat	Pdyn	Tunnel velocity	Våg	Tidpunkt
Minuter	°C	°C	°C	m³/h	m³/h	W	W	ppm	%	%	Pa	Pa	m/s	kg	Klockan
298,834	41,422	48,921	61,496	2,210	2,457	36487,019	35471,000	46,477	13,267	7,411	5,881	53,375	9,432	944,350	2019-12-09 18:03
299,167	41,369	48,901	61,570	2,207	2,457	36604,706	35739,727	50,220	13,737	6,957	5,988	53,449	9,438	944,256	2019-12-09 18:03
299,500	41,377	48,889	61,683	2,213	2,457	36697,974	36097,401	52,711	14,254	6,139	6,052	53,385	9,433	944,162	2019-12-09 18:03
299,833	41,280	48,917	61,864	2,209	2,459	37174,550	36553,858	78,292	14,814	5,651	6,012	54,112	9,497	944,084	2019-12-09 18:04
300,167	41,099	48,927	62,125	2,207	2,457	37874,287	37234,821	60,619	14,781	5,826	6,052	53,523	9,445	944,068	2019-12-09 18:04
300,500	40,994	48,885	62,226	2,209	2,458	38345,962	37656,318	72,931	14,896	5,586	5,993	52,859	9,386	943,976	2019-12-09 18:04
300,833	40,987	48,879	62,532	2,206	2,458	38619,684	38530,804	56,173	14,874	5,432	6,048	53,610	9,452	943,850	2019-12-09 18:05
301,167	41,018	48,952	62,708	2,207	2,459	38965,551	38837,149	55,816	15,303	5,160	5,960	53,079	9,406	943,756	2019-12-09 18:05
301,500	41,249	49,025	63,006	2,209	2,452	38779,358	39372,824	57,441	15,100	5,391	6,082	53,430	9,437	943,756	2019-12-09 18:05
301,833	41,276	49,207	63,090	2,209	2,457	39348,722	39166,727	55,467	14,832	5,752	6,135	53,316	9,427	943,663	2019-12-09 18:06
302,167	41,090	49,321	63,344	2,209	2,456	40214,730	39552,918	66,764	15,185	5,257	6,161	53,037	9,402	943,569	2019-12-09 18:06
302,500	41,034	49,320	63,662	2,207	2,457	40708,486	40459,488	75,418	15,368	4,962	6,151	52,923	9,392	943,477	2019-12-09 18:06
302,833	41,040	49,359	63,984	2,207	2,455	41118,171	41229,234	46,261	15,090	5,577	6,162	53,291	9,424	943,347	2019-12-09 18:07
303,167	41,113	49,445	64,186	2,210	2,458	41449,506	41608,439	66,267	15,168	5,375	6,172	53,555	9,448	943,252	2019-12-09 18:07
303,500	41,136	49,578	64,491	2,211	2,462	42026,568	42152,539	55,349	15,213	5,060	6,156	53,282	9,424	943,253	2019-12-09 18:07
303,834	41,185	49,700	64,855	2,211	2,459	42368,946	42787,850	56,218	15,349	5,216	6,132	53,745	9,464	943,065	2019-12-09 18:08
304,167	41,364	49,815	64,915	2,211	2,460	42442,693	42651,994	50,368	15,547	5,132	6,268	53,543	9,447	943,065	2019-12-09 18:08
304,500	41,423	49,980	65,191	2,210	2,461	42790,397	42972,689	63,649	15,724	4,590	6,278	54,045	9,491	942,972	2019-12-09 18:08
304,834	41,341	50,113	65,497	2,213	2,462	43557,773	43478,264	83,583	15,547	4,750	6,183	54,042	9,490	942,846	2019-12-09 18:09
305,167	41,338	50,160	65,797	2,211	2,458	43946,002	44128,564	70,171	15,846	4,709	6,281	53,285	9,424	942,753	2019-12-09 18:09
305,500	41,483	50,256	65,916	2,210	2,460	44165,685	44227,174	104,158	15,595	5,091	6,238	53,242	9,420	942,658	2019-12-09 18:09
305,834	41,699	50,450	66,276	2,209	2,464	44215,289	44750,611	71,749	15,808	4,694	6,304	53,476	9,441	942,658	2019-12-09 18:10
306,167	41,752	50,649	66,551	2,213	2,464	44769,336	44973,112	77,658	15,444	4,741	6,271	53,271	9,423	942,564	2019-12-09 18:10
306,500	41,833	50,790	66,815	2,213	2,463	45077,748	45306,457	89,610	15,765	4,834	6,324	53,702	9,461	942,472	2019-12-09 18:10
306,833	41,893	50,919	66,964	2,210	2,461	45368,823	45314,655	67,256	15,728	5,012	6,402	53,630	9,454	942,346	2019-12-09 18:11
307,167	41,919	51,020	67,192	2,210	2,460	45694,453	45659,603	54,652	15,318	5,035	6,317	53,485	9,441	942,253	2019-12-09 18:11
307,500	41,907	51,121	67,398	2,213	2,464	46250,684	46022,628	74,099	15,317	4,992	6,356	53,568	9,449	942,159	2019-12-09 18:11
307,833	42,119	51,195	67,594	2,213	2,466	46041,752	46405,700	99,681	16,077	4,445	6,368	53,937	9,481	942,065	2019-12-09 18:12
308,167	42,339	51,374	67,795	2,214	2,464	46003,518	46421,284	78,232	16,488	4,092	6,370	53,955	9,483	942,065	2019-12-09 18:12

Pellematic 56_cat IV_run 1_191209_2 underlag till rådata PDF.DAT

Category: IV

	301	302	304	305	306	308	317	1311	1312	1313	1314	1315	1316	1317	1318	1101	1102
Mättid	CO chimney	CO2 chimney	Pdyn	Pstat	Static pressure chimney	O2 chimney	Våg	Flue gas temp	Ambient	Flue gas at pitot	filter temp 1	filter temp 2	gas meter temp 1	gas meter temp 2	gasmeter temp ambient		T4 outlet load side
Minuter	VDC	VDC	VDC	VDC	VDC	VDC	VDC	°C	°C	°C	°C	°C	°C	°C	°C	°C	°C
308,500	0,231	0,833	1,335	0,160	0,015	0,155	1,072	123,141	20,300	34,182	25,701	23,786	21,015	21,497	30,504	20,792	60,616
308,833	0,230	0,820	1,340	0,160	0,018	0,164	1,071	123,344	20,267	34,075	25,713	23,799	21,023	21,500	30,482	20,798	60,772
309,167	0,230	0,843	1,339	0,163	0,011	0,146	1,070	123,567	20,265	34,129	25,709	23,802	21,013	21,494	30,467	20,799	60,914
309,500	0,231	0,836	1,334	0,160	0,013	0,152	1,067	123,772	20,292	34,277	25,727	23,800	21,035	21,496	30,453	20,800	61,069
309,833	0,245	0,860	1,340	0,162	0,011	0,131	1,067	123,980	20,288	34,355	25,735	23,792	21,023	21,491	30,445	20,798	61,243
310,167	0,239	0,855	1,334	0,162	0,017	0,135	1,065	124,178	20,304	34,407	25,732	23,793	21,021	21,483	30,422	20,793	61,446
310,500	0,235	0,852	1,327	0,162	0,008	0,137	1,064	124,397	20,283	34,631	25,761	23,806	21,010	21,482	30,412	20,795	61,665
310,834	0,236	0,848	1,340	0,161	0,011	0,142	1,062	124,560	20,173	34,460	25,762	23,798	21,011	21,495	30,403	20,797	61,891
311,167	0,225	0,828	1,344	0,162	0,013	0,160	1,060	124,739	20,201	34,497	25,775	23,810	21,010	21,482	30,399	20,798	62,081
311,500	0,223	0,816	1,340	0,164	0,016	0,169	1,060	124,868	20,274	34,391	25,776	23,800	21,012	21,485	30,388	20,799	62,207
311,834	0,226	0,817	1,340	0,164	0,012	0,168	1,058	125,000	20,240	34,377	25,781	23,802	21,013	21,483	30,361	20,794	62,307
312,167	0,233	0,842	1,338	0,164	0,020	0,146	1,057	125,179	20,246	34,233	25,784	23,792	21,001	21,468	30,356	20,796	62,405
312,500	0,233	0,849	1,336	0,164	0,014	0,142	1,056	125,383	20,281	34,202	25,772	23,790	21,011	21,479	30,334	20,796	62,502
312,833	0,236	0,848	1,334	0,162	0,016	0,140	1,055	125,558	20,240	34,311	25,783	23,802	21,000	21,477	30,317	20,797	62,664
313,167	0,237	0,860	1,348	0,164	0,017	0,130	1,053	125,740	20,118	34,595	25,804	23,808	20,998	21,476	30,326	20,798	62,812
313,500	0,239	0,868	1,337	0,165	0,015	0,124	1,051	125,875	20,116	34,415	25,792	23,790	20,993	21,464	30,304	20,794	62,984
313,833	0,230	0,849	1,333	0,164	0,014	0,141	1,051	126,031	20,156	34,337	25,787	23,808	20,994	21,471	30,284	20,794	63,118
314,167	0,228	0,851	1,333	0,164	0,016	0,137	1,049	126,183	20,199	34,418	25,766	23,803	20,989	21,463	30,269	20,796	63,298
314,500	0,233	0,849	1,329	0,165	0,014	0,141	1,048	126,308	20,235	34,401	25,759	23,798	20,993	21,454	30,280	20,794	63,374
314,833	0,230	0,844	1,341	0,164	0,016	0,144	1,046	126,426	20,230	34,571	25,792	23,803	20,987	21,458	30,265	20,794	63,497
315,167	0,235	0,845	1,337	0,163	0,014	0,146	1,045	126,526	20,204	34,463	25,796	23,801	20,987	21,459	30,275	20,796	63,580
315,500	0,232	0,830	1,326	0,165	0,019	0,158	1,044	126,639	20,146	34,482	25,789	23,800	20,994	21,458	30,261	20,793	63,732
315,833	0,234	0,816	1,330	0,162	0,015	0,168	1,043	126,754	20,114	34,523	25,809	23,804	20,987	21,460	30,264	20,795	63,887
316,167	0,232	0,832	1,331	0,166	0,015	0,154	1,042	126,865	20,156	34,671	25,820	23,814	20,998	21,460	30,256	20,796	63,961
316,500	0,234	0,829	1,334	0,165	0,018	0,159	1,040	126,905	20,196	34,521	25,825	23,812	20,991	21,460	30,248	20,795	63,983
316,834	0,241	0,833	1,338	0,166	0,015	0,153	1,039	127,027	20,136	34,539	25,826	23,809	20,992	21,460	30,222	20,793	64,123
317,167	0,248	0,850	1,332	0,166	0,018	0,139	1,039	127,190	20,192	34,694	25,840	23,813	20,985	21,455	30,205	20,794	64,172
317,500	0,231	0,840	1,334	0,166	0,017	0,147	1,036	127,275	20,175	34,658	25,844	23,813	20,993	21,450	30,191	20,796	64,213
317,834	0,231	0,859	1,342	0,165	0,023	0,132	1,035	127,444	20,216	34,816	25,870	23,827	20,976	21,441	30,171	20,794	64,263

Pellematic 56_cat IV_run 1_191209_2 underlag till rådata PDF.DAT

Category: IV

	1103	1108	1109	130	230	101	102	1	2	3	6	7	8	11	
Mättid	T3 inlet load side	T2 inlet boiler	T1 outlet boiler	Flow load side	Flow boiler side	Heat output load side	Heat output boiler	CO chimney	CO2 chimney	O2 chimney	Pstat	Pdyn	Tunnel velocity	Våg	Tidpunkt
Minuter	°C	°C	°C	m³/h	m³/h	W	W	ppm	%	%	Pa	Pa	m/s	kg	Klockan
308,500	42,340	51,567	67,963	2,212	2,465	46533,619	46378,510	79,680	15,675	4,660	6,390	53,161	9,413	941,972	2019-12-09 18:12
308,833	42,271	51,652	68,277	2,210	2,464	47073,589	46997,272	72,490	15,459	4,913	6,412	53,640	9,455	941,847	2019-12-09 18:13
309,167	42,255	51,705	68,452	2,214	2,464	47569,114	47344,881	81,755	16,103	4,369	6,535	53,647	9,456	941,847	2019-12-09 18:13
309,500	42,286	51,760	68,719	2,214	2,467	47885,186	47997,923	88,611	16,003	4,571	6,392	53,670	9,458	941,659	2019-12-09 18:13
309,833	42,350	51,866	68,972	2,213	2,467	48133,260	48418,416	137,780	16,754	3,928	6,489	53,390	9,433	941,660	2019-12-09 18:14
310,167	42,599	51,977	69,211	2,216	2,464	48074,081	48728,654	86,218	16,304	4,037	6,473	53,086	9,406	941,566	2019-12-09 18:14
310,500	42,829	52,183	69,339	2,213	2,464	47979,052	48505,710	95,011	16,197	4,103	6,473	52,983	9,397	941,473	2019-12-09 18:14
310,834	42,894	52,388	69,668	2,217	2,469	48484,616	48935,637	81,773	16,048	4,263	6,443	53,468	9,440	941,350	2019-12-09 18:15
311,167	42,815	52,522	69,780	2,214	2,465	49113,193	48806,828	64,058	15,795	4,786	6,485	53,881	9,476	941,255	2019-12-09 18:15
311,500	42,732	52,568	70,000	2,214	2,465	49635,005	49294,557	58,646	15,175	5,084	6,566	53,408	9,435	941,255	2019-12-09 18:15
311,834	42,647	52,569	70,158	2,213	2,465	50087,302	49739,952	71,066	15,359	5,034	6,580	53,669	9,458	941,067	2019-12-09 18:16
312,167	42,657	52,589	70,196	2,211	2,464	50277,003	49755,990	86,448	16,134	4,390	6,573	53,630	9,454	941,068	2019-12-09 18:16
312,500	42,750	52,640	70,392	2,212	2,464	50299,501	50176,450	78,794	16,412	4,261	6,572	53,303	9,425	940,975	2019-12-09 18:16
312,833	42,951	52,741	70,592	2,212	2,465	50200,575	50468,180	96,381	16,309	4,209	6,461	53,413	9,435	940,849	2019-12-09 18:17
313,167	43,092	52,893	70,781	2,214	2,464	50259,479	50559,786	90,016	16,458	3,894	6,561	53,942	9,482	940,755	2019-12-09 18:17
313,500	43,149	53,038	70,872	2,216	2,465	50587,423	50411,196	100,134	16,631	3,721	6,592	53,325	9,427	940,661	2019-12-09 18:17
313,833	43,170	53,146	71,065	2,212	2,467	50781,494	50701,019	78,980	16,323	4,237	6,574	53,294	9,425	940,661	2019-12-09 18:18
314,167	43,155	53,240	71,216	2,214	2,465	51340,086	50821,531	75,858	16,466	4,121	6,579	53,635	9,455	940,568	2019-12-09 18:18
314,500	43,167	53,274	71,390	2,213	2,465	51470,449	51215,650	83,572	16,010	4,232	6,590	53,362	9,431	940,475	2019-12-09 18:18
314,833	43,147	53,317	71,435	2,213	2,464	51836,074	51195,228	77,741	16,012	4,333	6,574	53,325	9,427	940,350	2019-12-09 18:19
315,167	43,175	53,386	71,703	2,214	2,467	52010,377	51824,743	96,028	16,203	4,369	6,502	53,489	9,442	940,256	2019-12-09 18:19
315,500	43,219	53,453	71,926	2,212	2,465	52234,130	52223,180	72,435	15,827	4,734	6,596	52,959	9,395	940,256	2019-12-09 18:19
315,833	43,270	53,519	71,939	2,213	2,467	52509,911	52108,035	87,792	15,456	5,049	6,493	53,417	9,435	940,162	2019-12-09 18:20
316,167	43,371	53,620	71,888	2,214	2,469	52464,652	51714,753	84,394	15,893	4,623	6,644	53,050	9,403	940,162	2019-12-09 18:20
316,500	43,457	53,678	72,195	2,213	2,464	52278,343	52310,427	91,076	15,597	4,756	6,609	53,549	9,447	939,976	2019-12-09 18:20
316,834	43,457	53,756	72,220	2,213	2,467	52635,545	52230,309	135,155	16,318	4,600	6,620	53,591	9,451	939,850	2019-12-09 18:21
317,167	43,432	53,810	72,219	2,214	2,471	52859,435	52148,001	103,175	16,210	4,156	6,623	53,219	9,418	939,976	2019-12-09 18:21
317,500	43,392	53,813	72,354	2,213	2,472	53033,538	52556,580	76,635	15,803	4,423	6,633	53,302	9,425	939,756	2019-12-09 18:21
317,834	43,356	53,831	72,309	2,214	2,467	53286,594	52271,447	83,256	16,583	3,965	6,603	53,900	9,478	939,662	2019-12-09 18:22

Pellematic 56_cat IV_run 1_191209_2 underlag till rådata PDF.DAT

Category: IV

	301	302	304	305	306	308	317	1311	1312	1313	1314	1315	1316	1317	1318	1101	1102
Mättid	CO chimney	CO2 chimney	Pdyn	Pstat	Static pressure chimney	O2 chimney	Våg	Flue gas temp	Ambient	Flue gas at pitot	filter temp 1	filter temp 2	gas meter temp 1	gas meter temp 2	gasmeter temp ambient		T4 outlet load side
Minuter	VDC	VDC	VDC	VDC	VDC	VDC	VDC	°C	°C	°C	°C	°C	°C	°C	°C	°C	°C
318,167	0,228	0,851	1,333	0,167	0,008	0,140	1,034	127,561	20,231	34,672	25,865	23,814	20,974	21,452	30,175	20,794	64,308
318,500	0,236	0,833	1,338	0,167	0,015	0,154	1,033	127,636	20,225	34,643	25,867	23,836	20,977	21,448	30,168	20,797	64,391
318,834	0,234	0,832	1,340	0,166	0,015	0,154	1,032	127,721	20,217	34,672	25,881	23,827	20,971	21,433	30,162	20,796	64,462
319,167	0,231	0,840	1,341	0,167	0,015	0,148	1,032	127,812	20,227	34,593	25,859	23,843	20,973	21,444	30,148	20,796	64,583
319,500	0,228	0,847	1,334	0,166	0,012	0,142	1,029	127,920	20,212	34,763	25,894	23,849	20,966	21,454	30,136	20,794	64,707
319,833	0,233	0,837	1,330	0,166	0,018	0,151	1,028	128,028	20,178	34,653	25,871	23,855	20,964	21,446	30,140	20,796	64,803
320,167	0,235	0,830	1,326	0,166	0,014	0,156	1,027	128,087	20,169	34,645	25,879	23,854	20,971	21,435	30,125	20,797	64,862
320,500	0,228	0,828	1,338	0,167	0,018	0,159	1,026	128,185	20,165	34,582	25,876	23,856	20,967	21,437	30,130	20,800	64,891
320,833	0,222	0,814	1,328	0,169	0,012	0,172	1,025	128,245	20,156	34,650	25,868	23,835	20,938	21,436	30,107	20,794	64,927
321,167	0,225	0,814	1,330	0,169	0,015	0,170	1,024	128,294	20,054	34,579	25,878	23,850	20,968	21,432	30,107	20,795	64,912
321,500	0,229	0,833	1,335	0,167	0,008	0,153	1,024	128,350	20,100	34,648	25,898	23,854	20,963	21,429	30,094	20,795	64,946
321,833	0,232	0,841	1,334	0,170	0,022	0,147	1,022	128,427	20,081	34,699	25,894	23,843	20,955	21,432	30,090	20,797	65,018
322,167	0,225	0,836	1,336	0,167	0,010	0,151	1,021	128,520	20,191	34,717	25,896	23,842	20,947	21,437	30,084	20,797	65,061
322,500	0,226	0,844	1,335	0,166	0,019	0,144	1,019	128,598	20,182	34,845	25,915	23,857	20,957	21,430	30,078	20,798	65,047
322,833	0,236	0,858	1,325	0,167	0,012	0,133	1,019	128,678	20,186	34,893	25,920	23,845	20,949	21,426	30,066	20,794	65,078
323,167	0,229	0,835	1,325	0,166	0,010	0,155	1,018	128,727	20,202	34,802	25,912	23,852	20,949	21,431	30,061	20,796	65,055
323,500	0,229	0,818	1,326	0,166	0,021	0,169	1,016	128,762	20,224	34,769	25,923	23,844	20,946	21,422	30,068	20,796	65,173
323,834	0,230	0,833	1,325	0,166	0,015	0,153	1,016	128,750	20,216	34,924	25,939	23,843	20,942	21,434	30,075	20,794	65,308
324,167	0,223	0,846	1,331	0,166	0,014	0,142	1,014	128,821	20,207	34,894	25,954	23,859	20,941	21,423	30,074	20,799	65,325
324,500	0,228	0,852	1,318	0,166	0,017	0,138	1,013	128,880	20,220	34,842	25,932	23,853	20,947	21,417	30,057	20,798	65,291
324,834	0,234	0,845	1,329	0,167	0,017	0,144	1,011	128,912	20,182	34,842	25,952	23,858	20,935	21,421	30,039	20,797	65,298
325,167	0,240	0,850	1,336	0,166	0,008	0,138	1,010	129,007	20,167	35,088	25,986	23,882	20,939	21,421	30,031	20,796	65,276
325,500	0,254	0,869	1,333	0,166	0,014	0,123	1,008	129,073	20,186	35,006	25,978	23,870	20,936	21,415	30,028	20,794	65,384
325,834	0,248	0,863	1,322	0,167	0,011	0,129	1,008	129,132	20,223	35,072	25,974	23,874	20,938	21,418	30,014	20,798	65,458
326,167	0,252	0,867	1,325	0,169	0,021	0,125	1,007	129,167	20,226	35,015	25,978	23,877	20,938	21,413	30,006	20,798	65,450
326,500	0,235	0,864	1,339	0,166	0,015	0,127	1,005	129,282	20,192	35,061	25,983	23,872	20,944	21,421	29,996	20,799	65,519
326,833	0,241	0,868	1,346	0,168	0,017	0,124	1,003	129,367	20,225	35,013	25,987	23,887	20,940	21,415	29,980	20,797	65,619
327,167	0,242	0,856	1,340	0,169	0,015	0,136	1,003	129,455	20,205	34,919	25,989	23,886	20,931	21,405	29,983	20,796	65,677
327,500	0,235	0,838	1,341	0,169	0,011	0,149	1,002	129,513	20,244	34,943	25,992	23,882	20,934	21,404	29,952	20,794	65,790

Pellematic 56_cat IV_run 1_191209_2 underlag till rådata PDF.DAT

Category: IV

	1103	1108	1109	130	230	101	102	1	2	3	6	7	8	11	
Mättid	T3 inlet load side	T2 inlet boiler	T1 outlet boiler	Flow load side	Flow boiler side	Heat output load side	Heat output boiler	CO chimney	CO2 chimney	O2 chimney	Pstat	Pdyn	Tunnel velocity	Våg	Tidpunkt
Minuter	°C	°C	°C	m³/h	m³/h	W	W	ppm	%	%	Pa	Pa	m/s	kg	Klockan
318,167	43,402	53,824	72,548	2,211	2,467	53214,218	52966,777	75,465	16,149	4,187	6,697	53,270	9,422	939,569	2019-12-09 18:22
318,500	43,447	53,878	72,584	2,212	2,462	53331,053	52803,734	82,368	15,759	4,634	6,683	53,759	9,466	939,569	2019-12-09 18:22
318,834	43,523	53,924	72,647	2,213	2,469	53328,178	52998,714	86,664	15,901	4,609	6,646	53,441	9,438	939,476	2019-12-09 18:23
319,167	43,638	54,012	72,870	2,214	2,467	53362,419	53340,987	78,071	15,985	4,449	6,679	53,516	9,444	939,476	2019-12-09 18:23
319,500	43,658	54,122	72,907	2,213	2,464	53612,966	53062,560	73,022	16,355	4,273	6,659	53,318	9,427	939,254	2019-12-09 18:23
319,833	43,602	54,170	73,037	2,213	2,465	53998,347	53325,732	92,737	15,817	4,519	6,649	53,375	9,432	939,254	2019-12-09 18:24
320,167	43,577	54,208	73,142	2,210	2,463	54143,343	53469,172	81,783	15,541	4,687	6,642	52,938	9,393	939,254	2019-12-09 18:24
320,500	43,564	54,195	73,050	2,210	2,461	54250,320	53191,839	63,291	15,842	4,773	6,697	53,613	9,453	939,066	2019-12-09 18:24
320,833	43,566	54,204	73,046	2,211	2,464	54369,625	53215,772	59,395	15,268	5,167	6,751	53,002	9,399	939,066	2019-12-09 18:25
321,167	43,603	54,215	73,205	2,211	2,462	54238,459	53600,841	60,871	15,370	5,113	6,764	53,263	9,422	938,973	2019-12-09 18:25
321,500	43,681	54,228	73,164	2,210	2,464	54092,622	53480,595	77,141	15,809	4,593	6,698	53,408	9,435	938,973	2019-12-09 18:25
321,833	43,746	54,301	73,182	2,210	2,461	54106,659	53261,493	80,425	16,063	4,423	6,785	53,681	9,459	938,847	2019-12-09 18:26
322,167	43,695	54,355	73,379	2,210	2,461	54348,040	53677,431	63,915	16,086	4,543	6,678	53,444	9,438	938,753	2019-12-09 18:26
322,500	43,608	54,323	73,479	2,213	2,462	54606,221	54067,650	69,161	16,227	4,323	6,657	53,535	9,446	938,660	2019-12-09 18:26
322,833	43,553	54,303	73,280	2,209	2,464	54723,480	53598,228	77,732	16,369	3,987	6,681	53,091	9,407	938,566	2019-12-09 18:27
323,167	43,724	54,277	73,415	2,211	2,464	54293,243	54053,480	73,660	15,758	4,644	6,645	53,097	9,407	938,566	2019-12-09 18:27
323,500	43,985	54,376	73,500	2,211	2,464	53921,427	54008,306	81,228	15,573	5,058	6,625	53,072	9,405	938,473	2019-12-09 18:27
323,834	44,021	54,541	73,473	2,212	2,465	54177,061	53503,693	72,945	15,853	4,604	6,638	53,137	9,411	938,473	2019-12-09 18:28
324,167	43,971	54,605	73,487	2,209	2,462	54279,105	53291,067	57,745	16,142	4,264	6,635	53,238	9,420	938,348	2019-12-09 18:28
324,500	43,969	54,589	73,510	2,209	2,462	54197,489	53397,713	86,821	16,474	4,155	6,626	52,669	9,369	938,254	2019-12-09 18:28
324,834	43,963	54,574	73,423	2,209	2,462	54250,026	53193,037	90,643	16,111	4,313	6,672	53,072	9,405	938,160	2019-12-09 18:29
325,167	43,971	54,578	73,585	2,209	2,462	54173,975	53641,885	96,591	16,339	4,149	6,659	53,509	9,444	938,067	2019-12-09 18:29
325,500	43,956	54,594	73,653	2,207	2,465	54430,016	53856,847	197,599	16,708	3,701	6,644	53,110	9,408	937,974	2019-12-09 18:29
325,834	43,963	54,654	73,777	2,211	2,463	54707,656	53989,134	151,927	16,534	3,881	6,698	52,834	9,384	937,974	2019-12-09 18:30
326,167	43,954	54,633	73,755	2,211	2,460	54708,657	53932,065	114,900	16,819	3,764	6,740	52,915	9,391	937,848	2019-12-09 18:30
326,500	43,983	54,635	73,999	2,209	2,462	54743,433	54650,860	88,265	16,459	3,812	6,639	53,624	9,454	937,754	2019-12-09 18:30
326,833	44,038	54,719	73,896	2,211	2,464	54922,610	54158,251	112,315	16,552	3,710	6,721	53,957	9,483	937,660	2019-12-09 18:31
327,167	44,047	54,791	74,097	2,211	2,460	55049,274	54446,460	101,743	16,421	4,071	6,747	53,651	9,456	937,660	2019-12-09 18:31
327,500	43,787	54,787	74,440	2,210	2,466	55967,848	55544,828	87,929	16,034	4,485	6,772	53,392	9,433	937,567	2019-12-09 18:31

Pellematic 56_cat IV_run 1_191209_2 underlag till rådata PDF.DAT

Category: IV

	301	302	304	305	306	308	317	1311	1312	1313	1314	1315	1316	1317	1318	1101	1102
Mättid	CO chimney	CO2 chimney	Pdyn	Pstat	Static pressure chimney	O2 chimney	Våg	Flue gas temp	Ambient	Flue gas at pitot	filter temp 1	filter temp 2	gas meter temp 1	gas meter temp 2	gasmeter temp ambient		T4 outlet load side
Minuter	VDC	VDC	VDC	VDC	VDC	VDC	VDC	°C	°C	°C	°C	°C	°C	°C	°C	°C	°C
327,833	0,235	0,832	1,339	0,168	0,013	0,155	1,000	129,571	20,239	34,970	25,998	23,892	20,943	21,402	29,957	20,799	65,834
328,167	0,232	0,851	1,340	0,170	0,017	0,138	1,000	129,585	20,250	34,928	25,978	23,888	20,938	21,409	29,962	20,794	65,766
328,500	0,234	0,830	1,345	0,169	0,019	0,158	0,998	129,549	20,212	34,908	25,987	23,895	20,934	21,405	29,961	20,795	65,722
328,833	0,227	0,830	1,334	0,170	0,015	0,156	0,997	129,528	20,216	34,846	25,991	23,897	20,936	21,415	29,960	20,797	65,742
329,167	0,226	0,818	1,331	0,169	0,017	0,169	0,996	129,518	20,245	34,753	25,971	23,904	20,941	21,404	29,966	20,801	65,798
329,500	0,228	0,815	1,325	0,170	0,013	0,168	0,995	129,525	20,220	34,805	25,980	23,895	20,931	21,403	29,966	20,796	65,785
329,833	0,233	0,833	1,322	0,169	0,020	0,155	0,994	129,565	20,203	34,920	25,997	23,907	20,935	21,407	29,965	20,801	65,841
330,167	0,231	0,827	1,330	0,168	0,022	0,159	0,993	129,627	20,217	34,819	25,974	23,896	20,933	21,398	29,947	20,796	65,847
330,500	0,229	0,824	1,329	0,171	0,021	0,163	0,992	129,616	20,211	34,897	25,981	23,900	20,922	21,395	29,949	20,796	65,743
330,834	0,225	0,804	1,339	0,170	0,019	0,180	0,991	129,618	20,191	34,934	26,014	23,916	20,937	21,387	29,931	20,798	65,735
331,167	0,230	0,821	1,336	0,168	0,020	0,164	0,990	129,649	20,221	35,030	26,012	23,907	20,931	21,388	29,940	20,798	65,735
331,500	0,235	0,838	1,323	0,168	0,012	0,149	0,988	129,700	20,256	35,001	25,998	23,910	20,922	21,394	29,937	20,799	65,681
331,834	0,242	0,839	1,331	0,169	0,016	0,148	0,987	129,735	20,222	34,923	25,995	23,921	20,918	21,394	29,947	20,799	65,681
332,167	0,238	0,827	1,334	0,168	0,020	0,160	0,987	129,757	20,232	35,053	26,008	23,922	20,923	21,393	29,943	20,800	65,697
332,500	0,232	0,825	1,331	0,170	0,021	0,161	0,985	129,771	20,241	35,003	26,012	23,918	20,914	21,396	29,936	20,797	65,681
332,834	0,232	0,821	1,323	0,171	0,018	0,164	0,984	129,781	20,139	34,924	26,006	23,927	20,914	21,402	29,933	20,799	65,693
333,167	0,229	0,821	1,325	0,169	0,014	0,165	0,984	129,816	20,092	34,865	26,017	23,935	20,922	21,389	29,928	20,798	65,641
333,500	0,233	0,822	1,316	0,171	0,015	0,164	0,982	129,819	20,072	34,914	26,000	23,923	20,925	21,389	29,933	20,796	65,690
333,833	0,233	0,832	1,338	0,171	0,015	0,154	0,980	129,834	20,148	34,879	25,997	23,923	20,913	21,385	29,926	20,798	65,690
334,167	0,232	0,823	1,335	0,170	0,021	0,162	0,980	129,834	20,194	34,958	25,994	23,925	20,914	21,385	29,933	20,796	65,714
334,500	0,234	0,838	1,332	0,171	0,020	0,149	0,979	129,862	20,220	34,803	25,980	23,921	20,911	21,382	29,911	20,794	65,653
334,833	0,233	0,833	1,345	0,171	0,008	0,155	0,977	129,873	20,243	34,866	25,996	23,916	20,907	21,391	29,901	20,795	65,565
335,167	0,231	0,808	1,331	0,171	0,013	0,176	0,978	129,859	20,193	35,012	26,009	23,916	20,912	21,384	29,885	20,794	65,624
335,500	0,235	0,812	1,343	0,169	0,018	0,172	0,976	129,862	20,240	34,869	25,992	23,928	20,907	21,375	29,882	20,796	65,554
335,833	0,243	0,822	1,326	0,171	0,020	0,164	0,975	129,905	20,243	34,944	25,994	23,918	20,903	21,382	29,886	20,797	65,389
336,167	0,232	0,821	1,329	0,169	0,011	0,165	0,973	129,905	20,226	34,867	25,999	23,923	20,909	21,379	29,891	20,798	65,298
336,500	0,234	0,804	1,337	0,170	0,011	0,179	0,972	129,894	20,227	34,953	26,000	23,940	20,903	21,370	29,900	20,796	65,270
336,833	0,234	0,822	1,335	0,172	0,007	0,163	0,973	129,912	20,227	34,908	25,993	23,940	20,905	21,371	29,901	20,796	65,257
337,167	0,229	0,826	1,336	0,169	0,016	0,161	0,971	129,922	20,254	34,806	26,006	23,933	20,897	21,383	29,908	20,797	65,191

Pellematic 56_cat IV_run 1_191209_2 underlag till rådata PDF.DAT

Category: IV

	1103	1108	1109	130	230	101	102	1	2	3	6	7	8	11	
Mättid	T3 inlet load side	T2 inlet boiler	T1 outlet boiler	Flow load side	Flow boiler side	Heat output load side	Heat output boiler	CO chimney	CO2 chimney	O2 chimney	Pstat	Pdyn	Tunnel velocity	Våg	Tidpunkt
Minuter	°C	°C	°C	m ³ /h	m ³ /h	W	W	ppm	%	%	Pa	Pa	m/s	kg	Klockan
327,833	43,545	54,738	74,457	2,209	2,462	56668,087	55643,216	80,552	15,587	4,650	6,702	53,685	9,459	937,474	2019-12-09 18:32
328,167	43,541	54,634	74,328	2,210	2,462	56539,459	55579,482	88,426	16,209	4,147	6,798	53,629	9,454	937,474	2019-12-09 18:32
328,500	43,562	54,569	74,263	2,210	2,462	56371,972	55578,828	81,455	15,708	4,751	6,760	53,842	9,473	937,351	2019-12-09 18:32
328,833	43,608	54,583	74,347	2,210	2,464	56305,113	55818,068	61,695	15,947	4,688	6,803	53,292	9,424	937,257	2019-12-09 18:33
329,167	43,689	54,634	74,189	2,210	2,464	56242,709	55227,387	61,534	15,083	5,074	6,769	53,176	9,414	937,257	2019-12-09 18:33
329,500	43,785	54,673	74,334	2,213	2,465	56033,535	55564,895	80,746	15,567	5,025	6,804	52,919	9,391	937,163	2019-12-09 18:33
329,833	43,915	54,739	74,243	2,213	2,467	55834,481	55150,087	92,412	15,853	4,637	6,760	52,588	9,362	937,069	2019-12-09 18:34
330,167	43,899	54,820	74,133	2,211	2,469	55858,330	54652,687	77,468	15,778	4,757	6,730	53,184	9,415	937,069	2019-12-09 18:34
330,500	43,868	54,785	74,116	2,211	2,465	55672,603	54628,633	68,743	15,311	4,895	6,855	53,189	9,415	936,976	2019-12-09 18:34
330,834	43,858	54,739	74,227	2,212	2,471	55693,023	55188,425	74,038	15,132	5,400	6,795	53,708	9,461	936,850	2019-12-09 18:35
331,167	43,781	54,742	74,071	2,210	2,464	55843,109	54583,432	81,837	15,726	4,931	6,707	53,611	9,453	936,851	2019-12-09 18:35
331,500	43,764	54,695	74,085	2,210	2,466	55751,769	54802,356	82,499	16,004	4,471	6,733	52,685	9,371	936,757	2019-12-09 18:35
331,834	43,779	54,680	74,127	2,208	2,465	55672,238	54956,199	104,563	15,788	4,436	6,772	53,498	9,443	936,663	2019-12-09 18:36
332,167	43,833	54,692	74,039	2,212	2,464	55652,830	54639,896	92,062	15,695	4,807	6,725	53,176	9,414	936,757	2019-12-09 18:36
332,500	43,865	54,707	74,127	2,213	2,469	55558,522	54955,163	85,195	15,720	4,842	6,782	53,323	9,427	936,569	2019-12-09 18:36
332,834	43,910	54,721	74,126	2,210	2,464	55407,226	54799,680	78,143	15,339	4,926	6,825	52,815	9,382	936,476	2019-12-09 18:37
333,167	43,922	54,745	74,031	2,210	2,470	55241,092	54612,310	77,558	15,435	4,945	6,774	52,910	9,391	936,476	2019-12-09 18:37
333,500	44,005	54,740	74,112	2,210	2,464	55155,485	54711,389	100,011	15,867	4,920	6,828	52,634	9,366	936,351	2019-12-09 18:37
333,833	43,934	54,790	74,110	2,213	2,466	55410,135	54604,414	78,236	15,867	4,616	6,841	53,808	9,470	936,257	2019-12-09 18:38
334,167	43,574	54,751	74,194	2,210	2,467	56323,127	54977,223	73,814	15,365	4,861	6,819	53,162	9,413	936,257	2019-12-09 18:38
334,500	43,386	54,603	74,103	2,210	2,465	56644,113	55105,307	98,191	16,090	4,484	6,853	53,279	9,423	936,164	2019-12-09 18:38
334,833	43,485	54,483	74,171	2,209	2,465	56145,452	55624,929	81,412	15,709	4,663	6,845	53,622	9,454	936,070	2019-12-09 18:39
335,167	43,415	54,523	74,133	2,212	2,465	56559,568	55404,326	71,257	15,240	5,267	6,829	53,325	9,427	936,070	2019-12-09 18:39
335,500	42,993	54,444	73,986	2,209	2,469	57371,124	55311,686	94,190	15,165	5,158	6,772	53,724	9,463	935,977	2019-12-09 18:39
335,833	42,692	54,220	73,965	2,210	2,465	57762,260	55813,855	110,909	15,641	4,928	6,822	53,166	9,413	935,851	2019-12-09 18:40
336,167	42,699	54,031	73,909	2,208	2,463	57466,812	56148,797	86,707	15,482	4,939	6,762	53,070	9,405	935,757	2019-12-09 18:40
336,500	42,679	54,019	73,984	2,210	2,465	57487,818	56438,798	84,349	14,939	5,364	6,818	53,639	9,455	935,758	2019-12-09 18:40
336,833	42,416	53,967	74,046	2,209	2,457	58096,522	56572,344	86,280	15,476	4,887	6,867	53,186	9,415	935,757	2019-12-09 18:41
337,167	42,287	53,797	73,883	2,211	2,465	58312,037	56775,805	66,664	15,766	4,842	6,768	52,899	9,390	935,664	2019-12-09 18:41

Pellematic 56_cat IV_run 1_191209_2 underlag till rådata PDF.DAT

Category: IV

	301	302	304	305	306	308	317	1311	1312	1313	1314	1315	1316	1317	1318	1101	1102
Mättid	CO chimney	CO2 chimney	Pdyn	Pstat	Static pressure chimney	O2 chimney	Våg	Flue gas temp	Ambient	Flue gas at pitot	filter temp 1	filter temp 2	gas meter temp 1	gas meter temp 2	gasmeter temp ambient		T4 outlet load side
Minuter	VDC	VDC	VDC	VDC	VDC	VDC	VDC	°C	°C	°C	°C	°C	°C	°C	°C	°C	°C
337,500	0,227	0,813	1,334	0,169	0,017	0,171	0,971	129,938	20,270	34,975	26,017	23,938	20,903	21,378	29,916	20,800	65,129
337,834	0,246	0,835	1,330	0,169	0,016	0,151	0,969	129,966	20,261	35,193	26,020	23,923	20,905	21,377	29,917	20,796	65,084
338,167	0,238	0,841	1,345	0,171	0,019	0,149	0,968	129,984	20,286	35,094	26,013	23,944	20,903	21,376	29,918	20,800	65,067
338,500	0,232	0,805	1,347	0,171	0,017	0,181	0,968	129,961	20,190	34,958	26,013	23,939	20,893	21,378	29,913	20,798	65,062
338,834	0,225	0,796	1,337	0,172	0,016	0,187	0,966	129,939	20,226	35,163	26,031	23,950	20,903	21,374	29,909	20,800	65,070
339,167	0,244	0,821	1,327	0,170	0,011	0,164	0,966	129,921	20,249	35,017	26,038	23,963	20,905	21,366	29,892	20,801	65,000
339,500	0,236	0,847	1,331	0,169	0,009	0,142	0,964	129,936	20,187	35,016	26,038	23,960	20,916	21,372	29,898	20,805	64,919
339,834	0,230	0,835	1,333	0,171	0,010	0,153	0,963	129,895	20,152	34,927	26,010	23,935	20,906	21,374	29,883	20,800	64,924
340,167	0,227	0,817	1,329	0,169	0,012	0,168	0,962	129,821	20,078	34,907	25,996	23,939	20,904	21,362	29,878	20,796	64,898
340,500	0,224	0,800	1,339	0,169	0,015	0,184	0,962	129,797	19,895	34,884	26,004	23,947	20,899	21,362	29,878	20,796	64,837
340,833	0,230	0,814	1,340	0,171	0,013	0,171	0,960	129,784	19,990	34,831	25,996	23,947	20,901	21,353	29,892	20,795	64,809
341,167	0,231	0,814	1,341	0,171	0,013	0,171	0,958	129,771	20,025	34,908	25,991	23,941	20,899	21,357	29,904	20,796	64,799
341,500	0,230	0,816	1,334	0,170	0,016	0,168	0,959	129,785	19,961	34,853	25,984	23,947	20,906	21,355	29,908	20,796	64,823
341,833	0,229	0,811	1,333	0,169	0,013	0,175	0,957	129,747	19,861	34,791	25,976	23,946	20,890	21,352	29,903	20,794	64,771
342,167	0,226	0,786	1,343	0,168	0,016	0,196	0,956	129,718	19,813	34,731	25,968	23,953	20,890	21,356	29,892	20,794	64,796
342,500	0,225	0,805	1,337	0,170	0,014	0,178	0,955	129,726	19,668	34,731	25,941	23,949	20,899	21,358	29,887	20,792	64,821
342,833	0,229	0,809	1,340	0,171	0,013	0,174	0,953	129,743	19,835	34,931	25,959	23,945	20,881	21,355	29,884	20,789	64,822
343,167	0,234	0,830	1,343	0,167	0,014	0,158	0,953	129,764	19,882	34,961	25,979	23,962	20,883	21,348	29,883	20,788	64,834
343,500	0,246	0,846	1,338	0,169	0,011	0,143	0,951	129,807	19,737	34,977	25,988	23,968	20,893	21,365	29,870	20,791	64,884
343,833	0,238	0,853	1,332	0,170	0,015	0,135	0,950	129,816	19,739	34,982	25,998	23,971	20,881	21,358	29,873	20,785	64,912
344,167	0,234	0,839	1,329	0,169	0,014	0,150	0,949	129,828	19,786	34,810	25,963	23,971	20,885	21,350	29,876	20,783	64,942
344,500	0,230	0,807	1,346	0,170	0,016	0,179	0,948	129,842	19,800	34,730	25,976	23,982	20,886	21,345	29,867	20,781	64,982
344,834	0,229	0,807	1,327	0,171	0,015	0,177	0,947	129,827	19,747	34,837	25,987	23,976	20,878	21,356	29,862	20,780	65,057
345,167	0,231	0,802	1,341	0,169	0,015	0,181	0,945	129,796	19,793	34,830	25,979	23,987	20,881	21,352	29,852	20,777	65,114
345,500	0,233	0,806	1,336	0,170	0,016	0,179	0,945	129,782	19,737	34,824	25,982	23,970	20,881	21,354	29,846	20,777	65,157
345,834	0,237	0,810	1,328	0,170	0,015	0,174	0,944	129,786	19,594	34,881	25,999	23,980	20,876	21,348	29,840	20,770	65,136
346,167	0,237	0,828	1,325	0,170	0,015	0,158	0,943	129,812	19,699	34,906	25,992	23,980	20,887	21,350	29,836	20,771	65,164
346,500	0,230	0,820	1,333	0,170	0,014	0,166	0,941	129,788	19,719	34,873	25,981	23,972	20,872	21,358	29,837	20,767	65,187
346,833	0,233	0,812	1,326	0,171	0,012	0,174	0,940	129,805	19,747	34,766	25,981	23,988	20,867	21,355	29,834	20,768	65,168

Pellematic 56_cat IV_run 1_191209_2 underlag till rådata PDF.DAT

Category: IV

	1103	1108	1109	130	230	101	102	1	2	3	6	7	8	11	
Mättid	T3 inlet load side	T2 inlet boiler	T1 outlet boiler	Flow load side	Flow boiler side	Heat output load side	Heat output boiler	CO chimney	CO2 chimney	O2 chimney	Pstat	Pdyn	Tunnel velocity	Våg	Tidpunkt
Minuter	°C	°C	°C	m³/h	m³/h	W	W	ppm	%	%	Pa	Pa	m/s	kg	Klockan
337,500	42,457	53,741	73,875	2,207	2,461	57624,621	56819,941	75,276	15,491	5,136	6,757	53,127	9,410	935,664	2019-12-09 18:41
337,834	42,684	53,790	73,769	2,208	2,460	56945,500	56349,342	96,208	15,824	4,540	6,771	53,002	9,399	935,570	2019-12-09 18:42
338,167	42,797	53,859	73,747	2,209	2,464	56628,620	56180,251	103,571	15,915	4,462	6,858	53,964	9,484	935,477	2019-12-09 18:42
338,500	42,864	53,924	73,772	2,210	2,464	56483,961	56069,308	79,564	15,059	5,432	6,838	54,003	9,487	935,477	2019-12-09 18:42
338,834	42,895	53,951	73,628	2,210	2,463	56425,308	55579,108	64,789	14,921	5,602	6,877	53,408	9,435	935,350	2019-12-09 18:43
339,167	43,021	53,956	73,412	2,209	2,462	55889,494	54927,170	135,291	15,789	4,912	6,782	53,022	9,401	935,350	2019-12-09 18:43
339,500	43,280	53,996	73,308	2,209	2,459	55011,572	54437,436	80,432	16,243	4,270	6,778	53,254	9,421	935,256	2019-12-09 18:43
339,834	43,444	54,075	73,240	2,209	2,464	54608,977	54138,375	81,819	15,953	4,589	6,838	53,585	9,450	935,162	2019-12-09 18:44
340,167	43,471	54,154	73,028	2,211	2,461	54542,839	53244,370	67,661	15,190	5,038	6,769	53,564	9,448	935,068	2019-12-09 18:44
340,500	43,440	54,152	73,071	2,208	2,461	54384,165	53389,224	63,794	14,786	5,514	6,780	53,576	9,449	935,069	2019-12-09 18:44
340,833	43,391	54,116	73,091	2,209	2,460	54465,800	53518,781	90,416	15,663	5,144	6,858	53,576	9,450	934,975	2019-12-09 18:45
341,167	43,341	54,099	73,091	2,209	2,466	54567,157	53685,816	81,833	15,412	5,122	6,826	53,486	9,442	934,850	2019-12-09 18:45
341,500	43,350	54,085	73,091	2,208	2,461	54584,332	53633,408	76,887	15,349	5,045	6,787	53,231	9,419	934,850	2019-12-09 18:45
341,833	43,380	54,077	73,082	2,209	2,463	54387,018	53656,951	87,228	15,026	5,246	6,747	53,283	9,424	934,756	2019-12-09 18:46
342,167	43,546	54,079	73,055	2,208	2,462	54016,916	53556,736	65,567	14,763	5,869	6,721	53,796	9,469	934,756	2019-12-09 18:46
342,500	43,687	54,162	72,939	2,209	2,464	53722,926	53035,637	67,142	15,271	5,334	6,785	53,547	9,447	934,662	2019-12-09 18:46
342,833	43,691	54,255	73,027	2,209	2,462	53717,577	52988,898	77,416	15,152	5,228	6,824	53,618	9,453	934,568	2019-12-09 18:47
343,167	43,734	54,234	73,042	2,210	2,462	53671,503	53078,442	102,296	15,915	4,732	6,696	53,713	9,462	934,568	2019-12-09 18:47
343,500	43,774	54,261	73,036	2,207	2,462	53626,203	52988,333	115,353	16,278	4,291	6,748	53,308	9,426	934,350	2019-12-09 18:47
343,833	43,803	54,328	73,145	2,207	2,459	53619,819	53032,501	83,370	16,245	4,052	6,797	53,046	9,403	934,350	2019-12-09 18:48
344,167	43,797	54,358	73,189	2,209	2,458	53746,823	53051,114	89,669	15,688	4,509	6,749	53,304	9,426	934,350	2019-12-09 18:48
344,500	43,804	54,344	73,211	2,210	2,461	53867,559	53230,805	82,860	15,182	5,369	6,805	53,762	9,466	934,256	2019-12-09 18:48
344,834	43,815	54,390	73,363	2,209	2,464	53996,198	53586,907	71,774	15,359	5,300	6,834	53,062	9,404	934,163	2019-12-09 18:49
345,167	43,871	54,428	73,328	2,207	2,462	53967,645	53336,430	90,919	14,867	5,428	6,765	53,618	9,453	934,069	2019-12-09 18:49
345,500	43,917	54,495	73,257	2,209	2,462	53986,862	52954,065	89,698	15,129	5,361	6,802	53,285	9,424	934,069	2019-12-09 18:49
345,834	43,908	54,507	73,242	2,210	2,462	53990,531	52872,418	108,627	15,450	5,224	6,808	53,248	9,421	933,975	2019-12-09 18:50
346,167	43,886	54,470	73,303	2,209	2,460	54088,621	53114,902	88,988	15,707	4,735	6,793	53,105	9,408	933,850	2019-12-09 18:50
346,500	43,968	54,513	73,231	2,209	2,464	53936,345	52863,069	75,860	15,308	4,978	6,806	53,122	9,409	933,756	2019-12-09 18:50
346,833	44,191	54,562	73,270	2,209	2,462	53315,709	52793,943	91,152	15,407	5,210	6,836	53,011	9,400	933,756	2019-12-09 18:51

Pellematic 56_cat IV_run 1_191209_2 underlag till rådata PDF.DAT

Category: IV

	301	302	304	305	306	308	317	1311	1312	1313	1314	1315	1316	1317	1318	1101	1102
Mättid	CO chimney	CO2 chimney	Pdyn	Pstat	Static pressure chimney	O2 chimney	Våg	Flue gas temp	Ambient	Flue gas at pitot	filter temp 1	filter temp 2	gas meter temp 1	gas meter temp 2	gasmeter temp ambient		T4 outlet load side
Minuter	VDC	VDC	VDC	VDC	VDC	VDC	VDC	°C	°C	°C	°C	°C	°C	°C	°C	°C	°C
347,167	0,229	0,810	1,326	0,172	0,015	0,175	0,939	129,804	19,720	34,739	25,970	23,986	20,875	21,352	29,828	20,765	65,229
347,500	0,231	0,792	1,328	0,170	0,017	0,190	0,939	129,793	19,726	34,803	25,957	23,964	20,875	21,350	29,826	20,764	65,293
347,833	0,226	0,794	1,329	0,169	0,014	0,188	0,937	129,770	19,604	34,880	25,962	23,979	20,870	21,345	29,828	20,760	65,313
348,167	0,228	0,795	1,325	0,170	0,016	0,188	0,936	129,786	19,598	34,805	25,971	23,979	20,876	21,345	29,836	20,762	65,153
348,500	0,228	0,795	1,344	0,172	0,014	0,187	0,936	129,805	19,426	34,839	25,946	23,984	20,874	21,347	29,826	20,757	65,158
348,833	0,230	0,814	1,343	0,169	0,022	0,172	0,935	129,808	19,599	34,895	25,949	23,973	20,863	21,349	29,822	20,753	65,217
349,167	0,233	0,814	1,343	0,169	0,015	0,171	0,933	129,838	19,550	34,801	25,954	23,980	20,862	21,337	29,820	20,748	65,287
349,500	0,231	0,818	1,325	0,169	0,020	0,167	0,932	129,863	19,500	34,854	25,962	23,981	20,863	21,343	29,816	20,749	65,183
349,833	0,226	0,812	1,338	0,172	0,010	0,172	0,931	129,841	19,441	34,833	25,959	23,971	20,859	21,338	29,818	20,746	65,102
350,167	0,227	0,802	1,344	0,169	0,016	0,181	0,930	129,855	19,493	34,807	25,961	23,976	20,853	21,336	29,811	20,744	65,056
350,500	0,228	0,815	1,337	0,170	0,013	0,171	0,928	129,826	19,422	34,893	25,951	23,986	20,855	21,338	29,792	20,740	64,920
350,834	0,236	0,806	1,343	0,168	0,018	0,178	0,928	129,826	19,532	34,793	25,939	23,977	20,860	21,337	29,791	20,735	64,928
351,167	0,247	0,813	1,347	0,170	0,019	0,171	0,927	129,834	19,555	34,860	25,958	23,993	20,860	21,346	29,797	20,739	64,958
351,500	0,235	0,816	1,340	0,169	0,013	0,170	0,926	129,784	19,581	34,740	25,937	23,993	20,855	21,342	29,792	20,732	64,931
351,834	0,239	0,797	1,341	0,171	0,013	0,187	0,925	129,814	19,586	34,934	25,965	24,008	20,861	21,335	29,791	20,731	64,842
352,167	0,235	0,800	1,337	0,169	0,015	0,183	0,923	129,809	19,500	34,893	25,974	24,017	20,860	21,342	29,783	20,728	64,794
352,500	0,241	0,804	1,346	0,171	0,008	0,179	0,922	129,775	19,485	34,907	25,961	24,012	20,847	21,340	29,762	20,728	64,750
352,834	0,237	0,802	1,350	0,170	0,019	0,182	0,923	129,741	19,562	34,835	25,968	24,021	20,850	21,333	29,763	20,721	64,726
353,167	0,240	0,808	1,329	0,171	0,018	0,176	0,921	129,735	19,587	34,801	25,954	24,021	20,846	21,348	29,752	20,721	64,663
353,500	0,231	0,805	1,345	0,171	0,015	0,179	0,920	129,742	19,562	34,913	25,970	24,021	20,855	21,337	29,748	20,717	64,607
353,833	0,229	0,805	1,338	0,170	0,006	0,179	0,919	129,732	19,612	34,874	25,990	24,019	20,841	21,339	29,746	20,713	64,603
354,167	0,231	0,810	1,336	0,171	0,013	0,175	0,918	129,761	19,619	34,914	26,013	24,038	20,850	21,341	29,744	20,714	64,554
354,500	0,237	0,838	1,336	0,169	0,017	0,149	0,916	129,832	19,558	34,978	25,991	24,023	20,850	21,338	29,755	20,710	64,584
354,833	0,242	0,844	1,337	0,168	0,014	0,144	0,915	129,870	19,451	34,981	25,994	24,030	20,839	21,340	29,759	20,709	64,562
355,167	0,255	0,855	1,348	0,171	0,021	0,135	0,914	129,910	19,552	34,905	25,984	24,030	20,835	21,332	29,754	20,706	64,517
355,500	0,248	0,857	1,336	0,169	0,014	0,134	0,913	129,927	19,559	35,002	25,981	24,031	20,838	21,329	29,757	20,701	64,468
355,833	0,235	0,837	1,342	0,170	0,012	0,151	0,912	129,922	19,482	34,906	25,966	24,031	20,840	21,338	29,747	20,701	64,428
356,167	0,234	0,818	1,342	0,170	0,016	0,169	0,911	129,895	19,536	34,863	25,959	24,024	20,830	21,325	29,737	20,700	64,384
356,500	0,230	0,820	1,343	0,170	0,015	0,167	0,910	129,887	19,387	34,861	25,950	24,029	20,845	21,330	29,740	20,696	64,431

Pellematic 56_cat IV_run 1_191209_2 underlag till rådata PDF.DAT

Category: IV

	1103	1108	1109	130	230	101	102	1	2	3	6	7	8	11	
Mättid	T3 inlet load side	T2 inlet boiler	T1 outlet boiler	Flow load side	Flow boiler side	Heat output load side	Heat output boiler	CO chimney	CO2 chimney	O2 chimney	Pstat	Pdyn	Tunnel velocity	Våg	Tidpunkt
Minuter	°C	°C	°C	m³/h	m³/h	W	W	ppm	%	%	Pa	Pa	m/s	kg	Klockan
347,167	44,228	54,669	73,392	2,210	2,463	53405,936	52850,492	76,630	15,218	5,257	6,862	53,113	9,409	933,662	2019-12-09 18:51
347,500	44,096	54,692	73,302	2,207	2,468	53835,135	52643,269	77,066	14,701	5,714	6,794	53,144	9,411	933,662	2019-12-09 18:51
347,833	43,704	54,653	73,377	2,206	2,462	54873,603	52839,973	66,475	14,690	5,649	6,755	53,141	9,411	933,569	2019-12-09 18:52
348,167	43,762	54,470	73,457	2,207	2,463	54341,745	53618,979	80,025	15,091	5,636	6,792	53,260	9,422	933,476	2019-12-09 18:52
348,500	43,891	54,441	73,476	2,206	2,462	53988,514	53722,529	75,080	14,933	5,615	6,871	53,965	9,484	933,476	2019-12-09 18:52
348,833	43,904	54,519	73,526	2,209	2,464	54176,564	53681,783	78,507	15,237	5,147	6,756	53,769	9,466	933,352	2019-12-09 18:53
349,167	43,831	54,559	73,413	2,209	2,464	54540,500	53251,995	96,069	15,407	5,141	6,750	53,755	9,465	933,259	2019-12-09 18:53
349,500	43,772	54,536	73,349	2,210	2,463	54462,987	53124,014	79,680	15,708	5,011	6,773	52,501	9,354	933,259	2019-12-09 18:53
349,833	43,691	54,436	73,389	2,208	2,465	54423,985	53562,800	69,747	15,198	5,171	6,862	53,614	9,453	933,165	2019-12-09 18:54
350,167	43,560	54,376	73,210	2,209	2,463	54646,768	53171,451	68,745	15,052	5,419	6,751	53,703	9,461	933,071	2019-12-09 18:54
350,500	43,433	54,289	73,208	2,208	2,463	54618,516	53415,509	75,458	15,429	5,134	6,787	53,747	9,465	932,978	2019-12-09 18:54
350,834	43,335	54,188	73,363	2,208	2,462	54872,627	54122,300	89,179	15,039	5,336	6,724	53,644	9,455	932,978	2019-12-09 18:55
351,167	43,270	54,139	73,298	2,209	2,464	55140,770	54114,626	116,414	15,429	5,116	6,796	53,930	9,481	932,852	2019-12-09 18:55
351,500	43,204	54,118	73,139	2,207	2,464	55208,657	53725,241	87,346	15,081	5,110	6,747	53,286	9,424	932,852	2019-12-09 18:55
351,834	43,101	54,061	73,228	2,209	2,464	55277,305	54138,306	97,725	15,133	5,599	6,856	53,564	9,448	932,758	2019-12-09 18:56
352,167	43,063	53,979	73,185	2,207	2,460	55220,955	54180,597	87,627	15,014	5,483	6,755	53,622	9,454	932,665	2019-12-09 18:56
352,500	43,007	53,947	73,184	2,210	2,465	55323,001	54379,182	111,203	14,963	5,372	6,821	53,854	9,474	932,571	2019-12-09 18:56
352,834	42,853	53,904	73,157	2,209	2,466	55620,800	54426,720	84,689	14,998	5,461	6,787	54,028	9,489	932,665	2019-12-09 18:57
353,167	42,787	53,804	72,992	2,209	2,465	55628,353	54224,766	104,329	15,314	5,292	6,845	53,162	9,413	932,571	2019-12-09 18:57
353,500	42,780	53,741	73,044	2,209	2,464	55501,703	54546,720	74,293	14,976	5,358	6,833	53,929	9,481	932,477	2019-12-09 18:57
353,833	42,767	53,742	72,915	2,210	2,467	55559,927	54240,378	74,663	15,117	5,356	6,804	53,409	9,435	932,353	2019-12-09 18:58
354,167	42,775	53,724	73,116	2,211	2,460	55454,784	54708,052	85,919	15,487	5,265	6,825	53,240	9,420	932,353	2019-12-09 18:58
354,500	42,713	53,683	73,007	2,210	2,467	55653,486	54668,809	100,374	16,195	4,474	6,741	53,481	9,441	932,259	2019-12-09 18:58
354,833	42,655	53,688	72,971	2,207	2,462	55675,611	54435,418	104,393	15,900	4,312	6,738	53,324	9,427	932,165	2019-12-09 18:59
355,167	42,616	53,641	72,850	2,209	2,464	55695,722	54272,800	147,175	16,299	4,045	6,855	54,055	9,492	932,071	2019-12-09 18:59
355,500	42,565	53,617	72,896	2,207	2,463	55664,819	54463,181	123,290	16,445	4,034	6,766	53,441	9,438	932,071	2019-12-09 18:59
355,833	42,542	53,558	72,829	2,212	2,465	55732,468	54481,950	89,810	15,826	4,529	6,800	53,620	9,453	931,978	2019-12-09 19:00
356,167	42,526	53,507	72,951	2,213	2,469	55692,701	55046,838	86,871	15,149	5,061	6,820	53,919	9,480	931,853	2019-12-09 19:00
356,500	42,514	53,519	72,870	2,209	2,464	55737,777	54674,417	79,910	15,555	5,024	6,805	54,001	9,487	931,853	2019-12-09 19:00

Pellematic 56_cat IV_run 1_191209_2 underlag till rådata PDF.DAT

Category: IV

	301	302	304	305	306	308	317	1311	1312	1313	1314	1315	1316	1317	1318	1101	1102
Mättid	CO chimney	CO2 chimney	Pdyn	Pstat	Static pressure chimney	O2 chimney	Våg	Flue gas temp	Ambient	Flue gas at pitot	filter temp 1	filter temp 2	gas meter temp 1	gas meter temp 2	gasmeter temp ambient		T4 outlet load side
Minuter	VDC	VDC	VDC	VDC	VDC	VDC	VDC	°C	°C	°C	°C	°C	°C	°C	°C	°C	°C
356,833	0,231	0,812	1,343	0,171	0,016	0,174	0,908	129,871	19,545	34,926	25,955	24,038	20,834	21,332	29,740	20,693	64,405
357,167	0,228	0,803	1,337	0,173	0,013	0,181	0,908	129,836	19,548	34,759	25,925	24,036	20,839	21,334	29,745	20,692	64,404
357,500	0,226	0,774	1,331	0,173	0,015	0,207	0,907	129,782	19,474	34,738	25,941	24,040	20,828	21,324	29,741	20,689	64,393
357,834	0,226	0,793	1,332	0,171	0,013	0,190	0,907	129,780	19,462	34,784	25,959	24,050	20,834	21,324	29,734	20,686	64,359
358,167	0,238	0,811	1,341	0,170	0,010	0,172	0,905	129,802	19,526	34,898	25,969	24,058	20,828	21,326	29,723	20,684	64,232
358,500	0,240	0,843	1,333	0,170	0,013	0,146	0,905	129,807	19,595	34,945	25,966	24,052	20,829	21,318	29,718	20,679	64,224
358,834	0,235	0,817	1,326	0,170	0,014	0,169	0,904	129,777	19,515	34,856	25,969	24,058	20,825	21,321	29,718	20,679	64,228
359,167	0,236	0,797	1,334	0,169	0,011	0,187	0,902	129,757	19,459	34,798	25,967	24,066	20,825	21,324	29,721	20,679	64,175
359,500	0,230	0,791	1,331	0,171	0,017	0,191	0,902	129,695	19,410	34,825	25,963	24,064	20,821	21,318	29,709	20,674	64,121
359,834	0,232	0,802	1,329	0,171	0,022	0,182	0,900	129,664	19,410	34,811	25,962	24,067	20,826	21,320	29,710	20,673	64,048
360,167	0,236	0,810	1,331	0,169	0,011	0,175	0,899	129,648	19,497	34,916	25,982	24,078	20,818	21,319	29,707	20,668	63,993
360,500	0,236	0,814	1,327	0,170	0,018	0,172	0,899	129,628	19,522	34,911	26,005	24,089	20,824	21,317	29,705	20,669	63,922
360,833	0,240	0,812	1,334	0,171	0,013	0,170	0,897	129,617	19,534	34,957	26,027	24,117	20,827	21,325	29,698	20,668	63,924
361,167	0,244	0,841	1,352	0,170	0,018	0,148	0,896	129,640	19,560	34,862	25,993	24,099	20,825	21,325	29,693	20,665	63,894
361,500	0,248	0,823	1,337	0,170	0,013	0,164	0,895	129,639	19,574	34,849	25,987	24,087	20,824	21,327	29,670	20,663	63,927
361,833	0,242	0,811	1,326	0,171	0,016	0,175	0,894	129,590	19,596	34,881	25,987	24,064	20,830	21,319	29,666	20,659	63,924
362,167	0,237	0,803	1,329	0,172	0,013	0,181	0,893	129,573	19,536	34,848	25,994	24,062	20,827	21,317	29,673	20,658	63,968
362,500	0,233	0,796	1,329	0,171	0,013	0,189	0,891	129,514	19,522	34,872	25,990	24,069	20,815	21,317	29,662	20,655	63,907
362,833	0,238	0,796	1,339	0,169	0,014	0,187	0,891	129,500	19,421	34,816	25,975	24,075	20,811	21,314	29,654	20,653	63,940
363,167	0,232	0,794	1,337	0,169	0,016	0,189	0,891	129,461	19,328	34,815	25,964	24,067	20,817	21,320	29,653	20,655	63,900
363,500	0,233	0,768	1,337	0,170	0,013	0,211	0,889	129,414	19,341	34,813	25,964	24,066	20,809	21,314	29,638	20,651	63,873
363,833	0,227	0,789	1,333	0,170	0,016	0,193	0,888	129,408	19,448	34,846	25,986	24,085	20,812	21,309	29,643	20,645	63,789
364,167	0,235	0,825	1,338	0,170	0,020	0,160	0,887	129,393	19,444	34,835	25,963	24,084	20,809	21,306	29,632	20,642	63,691
364,500	0,238	0,823	1,338	0,170	0,021	0,162	0,886	129,443	19,434	34,934	25,993	24,098	20,805	21,299	29,619	20,642	63,702
364,834	0,274	0,864	1,337	0,170	0,014	0,128	0,884	129,512	19,489	35,008	26,013	24,093	20,804	21,316	29,613	20,639	63,646
365,167	0,322	0,881	1,336	0,169	0,018	0,113	0,883	129,568	19,416	34,988	26,017	24,111	20,802	21,304	29,613	20,636	63,611
365,500	0,251	0,866	1,344	0,172	0,016	0,127	0,883	129,547	19,428	34,933	25,974	24,100	20,792	21,306	29,608	20,633	63,563
365,834	0,231	0,821	1,348	0,170	0,020	0,167	0,881	129,481	19,498	34,790	25,952	24,100	20,793	21,310	29,591	20,631	63,566
366,167	0,235	0,806	1,337	0,171	0,009	0,180	0,880	129,436	19,464	34,807	25,953	24,106	20,790	21,303	29,587	20,629	63,560

Pellematic 56_cat IV_run 1_191209_2 underlag till rådata PDF.DAT

Category: IV

	1103	1108	1109	130	230	101	102	1	2	3	6	7	8	11	
Mättid	T3 inlet load side	T2 inlet boiler	T1 outlet boiler	Flow load side	Flow boiler side	Heat output load side	Heat output boiler	CO chimney	CO2 chimney	O2 chimney	Pstat	Pdyn	Tunnel velocity	Våg	Tidpunkt
Minuter	°C	°C	°C	m³/h	m³/h	W	W	ppm	%	%	Pa	Pa	m/s	kg	Klockan
356,833	42,507	53,541	72,824	2,206	2,462	55621,850	54443,859	83,602	15,424	5,232	6,823	53,463	9,440	931,759	2019-12-09 19:01
357,167	42,499	53,503	72,919	2,209	2,460	55704,738	54782,118	69,600	14,762	5,438	6,934	53,694	9,460	931,759	2019-12-09 19:01
357,500	42,447	53,471	72,709	2,207	2,465	55783,842	54383,833	68,177	14,225	6,205	6,922	53,326	9,427	931,665	2019-12-09 19:01
357,834	42,376	53,453	72,669	2,209	2,457	55908,497	54145,102	73,672	15,088	5,689	6,825	53,517	9,444	931,665	2019-12-09 19:02
358,167	42,338	53,397	72,704	2,213	2,467	55789,178	54627,670	110,123	15,664	5,165	6,784	53,443	9,438	931,572	2019-12-09 19:02
358,500	42,344	53,337	72,645	2,209	2,464	55667,431	54552,913	87,873	15,943	4,394	6,816	53,585	9,450	931,572	2019-12-09 19:02
358,834	42,358	53,338	72,747	2,206	2,461	55565,037	54772,112	99,464	15,378	5,061	6,815	53,358	9,430	931,478	2019-12-09 19:03
359,167	42,350	53,325	72,599	2,210	2,460	55543,761	54370,844	89,646	14,873	5,604	6,765	53,199	9,416	931,350	2019-12-09 19:03
359,500	42,376	53,315	72,446	2,209	2,463	55303,349	54036,153	71,843	14,669	5,743	6,841	53,173	9,414	931,350	2019-12-09 19:03
359,834	42,386	53,295	72,357	2,210	2,462	55126,103	53826,538	84,246	14,905	5,446	6,829	53,224	9,418	931,257	2019-12-09 19:04
360,167	42,367	53,258	72,237	2,210	2,457	55035,567	53489,831	102,310	15,313	5,252	6,742	53,205	9,417	931,163	2019-12-09 19:04
360,500	42,355	53,226	72,309	2,210	2,464	54886,628	53919,256	95,014	15,437	5,152	6,799	52,896	9,389	931,163	2019-12-09 19:04
360,833	42,368	53,208	72,246	2,210	2,460	54857,393	53716,924	107,001	15,355	5,104	6,832	53,624	9,454	931,069	2019-12-09 19:05
361,167	42,392	53,207	72,326	2,214	2,464	54815,457	54021,062	114,644	15,950	4,454	6,796	53,943	9,482	930,976	2019-12-09 19:05
361,500	42,430	53,211	72,305	2,210	2,462	54713,254	53913,080	136,279	15,652	4,925	6,811	53,524	9,445	930,850	2019-12-09 19:05
361,833	42,445	53,234	72,461	2,211	2,462	54695,862	54299,521	101,337	15,162	5,236	6,835	53,175	9,414	930,850	2019-12-09 19:06
362,167	42,425	53,232	72,444	2,211	2,450	54856,183	53983,428	101,379	14,939	5,427	6,894	53,108	9,408	930,757	2019-12-09 19:06
362,500	42,424	53,218	72,285	2,213	2,452	54738,559	53612,783	84,934	14,789	5,675	6,853	53,135	9,411	930,663	2019-12-09 19:06
362,833	42,446	53,227	72,300	2,216	2,458	54837,705	53757,735	88,230	15,215	5,623	6,779	53,705	9,461	930,663	2019-12-09 19:07
363,167	42,431	53,240	72,406	2,214	2,456	54738,411	53994,007	85,120	14,779	5,670	6,755	53,604	9,452	930,663	2019-12-09 19:07
363,500	42,330	53,188	72,226	2,211	2,452	54857,889	53534,382	83,730	14,009	6,334	6,803	53,304	9,426	930,569	2019-12-09 19:07
363,833	42,281	53,128	72,037	2,213	2,455	54805,500	53244,196	78,010	15,301	5,804	6,789	53,424	9,436	930,476	2019-12-09 19:08
364,167	42,283	53,067	72,181	2,214	2,454	54579,417	53788,592	85,951	15,587	4,800	6,782	53,246	9,420	930,351	2019-12-09 19:08
364,500	42,220	53,053	72,148	2,212	2,455	54708,371	53773,952	86,856	15,522	4,853	6,806	53,385	9,433	930,351	2019-12-09 19:08
364,834	42,023	53,012	72,097	2,214	2,458	55123,991	53813,509	256,401	16,787	3,830	6,784	53,560	9,448	930,257	2019-12-09 19:09
365,167	41,834	52,900	72,046	2,212	2,454	55479,094	53892,670	397,479	17,254	3,382	6,775	53,222	9,418	930,172	2019-12-09 19:09
365,500	41,748	52,793	72,192	2,210	2,452	55528,599	54559,048	112,649	16,233	3,805	6,863	53,700	9,460	930,163	2019-12-09 19:09
365,834	41,786	52,742	72,136	2,210	2,452	55435,659	54544,595	82,140	15,267	5,003	6,809	54,015	9,488	930,070	2019-12-09 19:10
366,167	41,810	52,751	72,092	2,212	2,454	55395,676	54434,526	99,043	15,150	5,391	6,836	53,402	9,434	929,976	2019-12-09 19:10

Pellematic 56_cat IV_run 1_191209_2 underlag till rådata PDF.DAT

Category: IV

	301	302	304	305	306	308	317	1311	1312	1313	1314	1315	1316	1317	1318	1101	1102
Mättid	CO chimney	CO2 chimney	Pdyn	Pstat	Static pressure chimney	O2 chimney	Våg	Flue gas temp	Ambient	Flue gas at pitot	filter temp 1	filter temp 2	gas meter temp 1	gas meter temp 2	gasmeter temp ambient		T4 outlet load side
Minuter	VDC	VDC	VDC	VDC	VDC	VDC	VDC	°C	°C	°C	°C	°C	°C	°C	°C	°C	°C
366,500	0,233	0,791	1,337	0,172	0,017	0,192	0,880	129,392	19,370	34,716	25,941	24,110	20,794	21,309	29,577	20,627	63,558
366,834	0,232	0,811	1,337	0,172	0,013	0,173	0,878	129,430	19,323	34,834	25,950	24,112	20,802	21,322	29,579	20,629	63,497
367,167	0,240	0,849	1,327	0,170	0,009	0,141	0,878	129,490	19,326	34,835	25,934	24,097	20,798	21,305	29,579	20,624	63,398
367,500	0,241	0,846	1,317	0,169	0,012	0,144	0,876	129,514	19,422	34,870	25,949	24,112	20,792	21,306	29,579	20,623	63,321
367,833	0,237	0,836	1,336	0,171	0,008	0,152	0,875	129,531	19,436	34,884	25,958	24,125	20,781	21,304	29,590	20,619	63,305
368,167	0,248	0,834	1,335	0,169	0,013	0,154	0,873	129,528	19,415	34,759	25,953	24,120	20,798	21,303	29,591	20,618	63,351
368,500	0,240	0,832	1,332	0,170	0,014	0,157	0,873	129,528	19,394	34,820	25,947	24,111	20,790	21,308	29,576	20,616	63,359
368,833	0,238	0,807	1,331	0,170	0,011	0,179	0,873	129,508	19,406	34,840	25,936	24,112	20,784	21,306	29,557	20,611	63,375
369,167	0,233	0,792	1,336	0,170	0,018	0,190	0,872	129,475	19,498	34,881	25,951	24,130	20,784	21,298	29,557	20,610	63,363
369,500	0,237	0,813	1,339	0,170	0,015	0,172	0,870	129,471	19,413	34,872	25,947	24,130	20,779	21,294	29,545	20,604	63,426
369,833	0,236	0,809	1,337	0,170	0,010	0,175	0,868	129,468	19,434	34,894	25,958	24,121	20,773	21,291	29,545	20,603	63,440
370,167	0,232	0,821	1,335	0,170	0,012	0,165	0,868	129,482	19,464	34,866	25,942	24,122	20,778	21,287	29,549	20,600	63,362
370,500	0,235	0,831	1,341	0,170	0,013	0,156	0,867	129,469	19,429	34,885	24,885	23,684	20,783	21,298	29,416	20,598	63,328
370,833	0,230	0,824	1,341	0,172	0,017	0,163	0,865	129,443	19,481	34,794	23,667	23,176	20,792	21,283	29,265	20,594	63,326
371,167	0,230	0,796	1,340	0,171	0,015	0,200	0,864	129,434	19,542	34,822	23,619	23,150	20,797	21,292	29,212	20,596	63,276
371,500	0,202	0,258	1,330	0,170	0,015	0,681	0,932	129,421	19,574	34,826	23,591	23,113	20,812	21,280	29,218	20,594	63,229
371,834	0,199	0,208	1,338	0,170	0,019	0,704	0,923	129,447	19,509	34,844	23,552	23,088	20,809	21,273	29,217	20,588	63,194
372,167	0,198	0,205	1,330	0,169	0,013	0,705	0,912	129,432	19,540	34,783	23,524	23,057	20,814	21,271	29,230	20,586	63,176
372,500	0,198	0,205	1,334	0,170	0,017	0,705	0,861	129,435	19,457	34,813	23,484	46,142	20,822	21,267	29,228	20,585	63,160

Pellematic 56_cat IV_run 1_191209_2 underlag till rådata PDF.DAT

Category: IV

	1103	1108	1109	130	230	101	102	1	2	3	6	7	8	11	
Mättid	T3 inlet load side	T2 inlet boiler	T1 outlet boiler	Flow load side	Flow boiler side	Heat output load side	Heat output boiler	CO chimney	CO2 chimney	O2 chimney	Pstat	Pdyn	Tunnel velocity	Våg	Tidpunkt
Minuter	°C	°C	°C	m ³ /h	m ³ /h	W	W	ppm	%	%	Pa	Pa	m/s	kg	Klockan
366,500	41,634	52,755	72,058	2,209	2,454	55772,473	54326,714	87,923	14,899	5,758	6,861	53,675	9,458	929,976	2019-12-09 19:10
366,834	41,353	52,664	72,050	2,209	2,455	56338,117	54602,902	70,572	15,412	5,197	6,885	53,269	9,422	929,851	2019-12-09 19:11
367,167	41,185	52,515	72,021	2,210	2,450	56547,357	54827,986	118,080	16,285	4,219	6,782	52,722	9,374	929,851	2019-12-09 19:11
367,500	41,193	52,372	72,077	2,212	2,450	56373,779	55395,466	113,616	16,142	4,331	6,770	52,851	9,385	929,757	2019-12-09 19:11
367,833	41,246	52,333	72,044	2,209	2,455	56136,267	55510,754	97,703	15,874	4,564	6,825	53,523	9,445	929,663	2019-12-09 19:12
368,167	41,216	52,391	72,031	2,210	2,454	56343,368	55292,611	123,602	15,792	4,611	6,761	53,178	9,414	929,570	2019-12-09 19:12
368,500	41,210	52,406	72,092	2,210	2,453	56386,151	55410,515	102,774	15,717	4,703	6,817	53,127	9,410	929,570	2019-12-09 19:12
368,833	41,200	52,397	72,088	2,210	2,451	56455,031	55367,031	92,750	15,133	5,366	6,790	53,206	9,417	929,570	2019-12-09 19:13
369,167	41,396	52,370	72,047	2,210	2,456	55921,820	55449,844	83,948	14,791	5,704	6,795	53,469	9,440	929,476	2019-12-09 19:13
369,500	41,665	52,486	71,918	2,207	2,448	55322,385	54584,724	102,872	15,146	5,173	6,815	53,720	9,462	929,353	2019-12-09 19:13
369,833	41,601	52,630	71,851	2,209	2,453	55556,838	54097,249	94,562	15,296	5,245	6,817	53,518	9,444	929,260	2019-12-09 19:14
370,167	41,498	52,608	71,901	2,211	2,453	55690,995	54298,422	92,714	15,819	4,941	6,789	53,655	9,457	929,260	2019-12-09 19:14
370,500	41,470	52,499	71,986	2,209	2,457	55608,393	54927,877	87,412	15,603	4,684	6,810	53,519	9,445	929,166	2019-12-09 19:14
370,833	41,420	52,493	71,847	2,207	2,454	55695,390	54479,660	77,974	15,524	4,883	6,888	53,511	9,444	929,072	2019-12-09 19:15
371,167	41,287	52,474	71,773	2,206	2,450	55874,324	54243,601	81,618	14,832	5,987	6,854	53,616	9,453	928,979	2019-12-09 19:15
371,500	41,276	52,394	71,807	2,207	2,448	55800,535	54532,576	0,923	0,352	20,440	6,820	53,424	9,436	932,979	2019-12-09 19:15
371,834	41,348	52,342	71,741	2,206	2,452	55512,308	54572,274	-0,502	0,148	21,133	6,781	53,668	9,458	932,978	2019-12-09 19:16
372,167	41,352	52,365	71,766	2,206	2,448	55464,898	54493,777	-0,674	0,118	21,145	6,742	53,521	9,445	931,666	2019-12-09 19:16
372,500	41,232	52,369	71,605	2,206	2,445	55721,938	53958,004	-0,765	0,115	21,142	6,801	53,387	9,433	928,760	2019-12-09 19:16

Pellematic 56_cat IV_run 2_200121 underlag till rådata PDF.DAT

Category: IV

Konfiguratio C:\Datainsamling\Konfiguration\EPA pellematic,KONF

Sparad: 2020-01-20 12:24

i klartext: 2020-01-20 12:24

	301	302	304	305	306	308	317	1311	1312	1313	1314	1315	1316	1317	1318	1101	1102
Mättid	CO chimney	CO2 chimney	Pdyn	Pstat	Static pressure chimney	O2 chimney	Våg	Flue gas temp	Ambient	Flue gas at pitot	filter temp 1	filter temp 2	gas meter temp 1	gas meter temp 2	gasmeter temp ambient		T4 outlet load side
Minuter	VDC	VDC	VDC	VDC	VDC	VDC	VDC	°C	°C	°C	°C	°C	°C	°C	°C	°C	°C
0,167	0,214	0,852	1,332	0,189	0,017	0,130	0,992	128,237	19,689	34,271	29,839	30,759	19,991	20,153	19,861	20,196	64,345
0,500	0,217	0,873	1,320	0,187	0,014	0,118	0,989	128,308	19,712	33,919	25,774	24,256	19,995	20,158	19,865	20,197	64,451
0,834	0,218	0,883	1,841	0,190	0,012	0,114	0,989	128,400	19,690	33,997	-17,303	9,937	20,000	20,165	19,872	20,197	64,623
1,167	0,242	0,876	2,638	0,191	0,014	0,115	0,987	128,436	19,676	33,993	24,724	17,411	19,991	20,165	19,860	20,197	64,747
1,500	0,227	0,869	2,724	0,191	0,010	0,130	0,987	128,457	19,678	33,974	26,730	25,231	19,999	20,164	19,867	20,200	64,800
1,834	0,215	0,855	2,733	0,190	0,015	0,137	0,985	128,496	19,637	33,983	23,635	21,392	19,995	20,160	19,871	20,200	64,845
2,167	0,216	0,861	2,740	0,188	0,018	0,130	0,984	128,528	19,682	34,015	28,065	26,370	20,012	20,158	19,865	20,202	64,883
2,663	0,227	0,866	1,654	0,190	0,014	0,128	0,983	128,581	19,668	34,012	29,526	30,514	19,991	20,166	19,874	20,202	64,980
2,979	0,219	0,867	1,352	0,189	0,017	0,134	0,981	128,581	19,681	33,909	27,612	23,302	20,003	20,163	19,877	20,206	65,082
3,292	0,214	0,855	1,332	0,188	0,022	0,138	0,980	128,594	19,632	33,700	31,157	30,157	20,003	20,165	19,870	20,210	65,128
3,571	0,212	0,839	1,335	0,188	0,024	0,136	0,979	128,652	19,641	33,740	31,090	31,228	20,001	20,173	19,883	20,212	65,163
3,833	0,220	0,871	1,328	0,190	0,016	0,121	0,978	128,693	19,657	34,099	30,917	31,136	20,004	20,175	19,883	20,215	65,217
4,200	0,217	0,869	1,335	0,190	0,010	0,112	0,977	128,778	19,683	33,788	24,421	25,214	20,009	20,178	19,877	20,215	65,231
4,500	0,218	0,876	1,336	0,190	0,015	0,127	0,976	128,793	19,695	33,782	24,150	24,191	20,008	20,179	19,893	20,225	65,337
4,833	0,214	0,846	1,333	0,189	0,018	0,149	0,975	128,799	19,644	33,916	27,035	25,117	20,017	20,186	19,886	20,223	65,502
5,167	0,216	0,847	1,330	0,187	0,011	0,137	0,973	128,826	19,666	33,996	24,641	25,447	20,022	20,189	19,892	20,230	65,616
5,500	0,211	0,844	1,323	0,190	0,010	0,141	0,972	128,856	19,655	34,013	25,239	25,005	20,007	20,169	19,886	20,216	65,679
5,833	0,213	0,854	1,324	0,188	0,013	0,127	0,971	128,929	19,591	33,931	23,827	23,592	20,017	20,177	19,892	20,220	65,792
6,167	0,214	0,870	1,326	0,191	0,019	0,139	0,971	128,963	19,651	34,001	25,883	24,906	20,017	20,171	19,887	20,223	65,816
6,500	0,215	0,837	1,328	0,190	0,018	0,143	0,969	129,015	19,672	34,024	27,432	26,637	20,013	20,192	19,885	20,221	65,835
6,834	0,221	0,863	1,328	0,191	0,017	0,116	0,968	129,082	19,684	34,235	30,397	30,546	20,011	20,181	19,889	20,224	65,827
7,167	0,242	0,866	1,330	0,190	0,019	0,134	0,967	129,095	19,712	34,113	26,348	25,236	20,015	20,178	19,896	20,224	65,851
7,500	0,214	0,853	1,335	0,190	0,022	0,142	0,965	129,142	19,715	33,751	29,085	25,724	20,026	20,189	19,885	20,229	65,847
7,834	0,214	0,850	1,339	0,190	0,022	0,137	0,964	129,192	19,701	34,139	26,900	25,853	20,027	20,178	19,886	20,226	65,845
8,167	0,213	0,844	1,335	0,191	0,021	0,141	0,963	129,210	19,722	34,202	26,545	27,430	20,015	20,183	19,892	20,228	65,830
8,500	0,212	0,851	1,332	0,191	0,018	0,149	0,962	129,242	19,697	33,962	26,152	25,663	20,019	20,189	19,893	20,230	65,796
8,834	0,210	0,825	1,331	0,191	0,019	0,164	0,961	129,246	19,721	33,919	24,274	22,507	20,036	20,193	19,899	20,241	65,767
9,167	0,214	0,823	1,329	0,191	0,023	0,153	0,960	129,290	19,686	33,856	25,009	24,722	20,027	20,189	19,886	20,234	65,741
9,500	0,215	0,848	1,328	0,190	0,019	0,138	0,959	129,355	19,770	33,972	26,158	24,685	20,029	20,196	19,901	20,233	65,700
9,833	0,212	0,849	1,323	0,189	0,015	0,153	0,958	129,326	19,761	34,111	25,820	28,490	20,021	20,184	19,900	20,234	65,663
10,167	0,210	0,807	1,328	0,191	0,017	0,183	0,956	129,244	19,748	34,048	24,091	22,585	20,015	20,185	19,886	20,231	65,621
10,500	0,208	0,788	1,326	0,191	0,021	0,201	0,956	129,180	19,741	34,120	27,940	26,953	20,017	20,188	19,888	20,228	65,566
10,833	0,209	0,795	1,329	0,193	0,019	0,169	0,955	129,241	19,761	34,143	29,633	29,080	20,021	20,194	19,895	20,234	65,517
11,167	0,210	0,825	1,330	0,190	0,021	0,150	0,954	129,255	19,740	34,282	27,176	25,526	20,025	20,188	19,905	20,238	65,473

Pellematic 56_cat IV_run 2_200121 underlag till rådata PDF.DAT

Category: IV

	1103	1108	1109	130	230	101	102	1	2	3	6	7	8	11	
Mättid	T3 inlet load side	T2 inlet boiler	T1 outlet boiler	Flow load side	Flow boiler side	Heat output load side	Heat output boiler	CO chimney	CO2 chimney	O2 chimney	Pstat	Pdyn	Tunnel velocity	Våg	Tidpunkt
Minuter	°C	°C	°C	m³/h	m³/h	W	W	ppm	%	%	Pa	Pa	m/s	kg	Klockan
0,167	43,744	53,952	73,452	13,997	14,711	333409,437	328209,829	41,217	16,240	3,902	7,566	53,155	9,412	966,972	2020-01-21 10:10
0,500	44,216	54,108	73,463	2,276	2,455	53003,574	54484,210	56,485	16,879	3,531	7,491	52,946	9,394	966,752	2020-01-21 10:10
0,834	44,398	54,379	73,423	2,276	2,457	52972,868	53631,066	55,586	17,107	3,419	7,587	92,997	12,450	966,753	2020-01-21 10:11
1,167	44,373	54,545	73,423	2,279	2,457	53415,454	53173,199	71,971	16,866	3,439	7,626	107,368	13,377	966,659	2020-01-21 10:11
1,500	44,371	54,574	73,597	2,279	2,457	53560,744	53576,363	58,632	16,461	3,905	7,657	109,249	13,494	966,659	2020-01-21 10:11
1,834	44,337	54,602	73,653	2,277	2,456	53733,222	53636,389	39,570	16,363	4,098	7,608	109,424	13,505	966,565	2020-01-21 10:12
2,167	44,386	54,607	73,709	2,278	2,454	53735,652	53741,541	52,909	16,746	3,888	7,529	109,698	13,521	966,472	2020-01-21 10:12
2,663	44,562	54,686	73,876	2,277	2,458	53489,119	54064,563	83,566	16,931	3,844	7,597	55,860	9,649	966,347	2020-01-21 10:12
2,979	44,496	54,795	73,923	2,276	2,456	53920,799	53855,814	39,221	16,493	4,022	7,546	53,393	9,433	966,253	2020-01-21 10:13
3,292	44,431	54,800	74,037	2,277	2,459	54234,110	54215,068	35,129	16,299	4,155	7,503	53,536	9,446	966,253	2020-01-21 10:13
3,571	44,432	54,790	74,122	2,274	2,457	54248,914	54437,871	31,765	16,022	4,092	7,536	53,229	9,419	966,159	2020-01-21 10:13
3,833	44,388	54,817	74,062	2,272	2,458	54464,434	54224,091	53,344	16,854	3,633	7,606	53,203	9,417	966,065	2020-01-21 10:14
4,200	44,702	54,817	74,187	2,279	2,462	53819,321	54668,704	47,466	16,731	3,357	7,603	53,463	9,440	966,066	2020-01-21 10:14
4,500	45,109	54,939	74,229	2,275	2,459	52939,313	54372,308	46,691	16,725	3,824	7,602	53,343	9,429	965,972	2020-01-21 10:14
4,833	45,197	55,210	74,229	2,276	2,461	53150,603	53640,861	39,157	16,061	4,456	7,578	53,232	9,419	965,847	2020-01-21 10:15
5,167	45,288	55,338	74,230	2,277	2,462	53238,824	53300,367	42,117	16,354	4,110	7,472	53,290	9,424	965,753	2020-01-21 10:15
5,500	45,577	55,421	74,439	2,279	2,459	52684,076	53596,394	28,082	16,013	4,237	7,583	52,848	9,385	965,753	2020-01-21 10:15
5,833	45,484	55,591	74,302	2,277	2,460	53180,311	52744,340	42,185	16,372	3,806	7,529	52,876	9,388	965,659	2020-01-21 10:16
6,167	45,310	55,586	74,545	2,278	2,458	53723,434	53405,386	38,616	16,665	4,174	7,652	53,035	9,402	965,659	2020-01-21 10:16
6,500	45,194	55,520	74,627	2,273	2,457	53977,860	53792,107	40,329	16,086	4,290	7,596	53,106	9,408	965,566	2020-01-21 10:16
6,834	45,078	55,458	74,664	2,279	2,462	54407,666	54185,612	55,745	16,824	3,490	7,634	53,137	9,411	965,473	2020-01-21 10:17
7,167	44,877	55,409	74,768	2,277	2,462	54943,125	54621,723	47,276	16,344	4,028	7,584	53,278	9,423	965,346	2020-01-21 10:17
7,500	44,675	55,341	74,882	2,279	2,462	55511,409	55125,963	38,645	16,331	4,250	7,583	53,411	9,435	965,252	2020-01-21 10:17
7,834	44,442	55,227	74,834	2,277	2,461	56075,199	55300,601	37,814	16,395	4,110	7,598	53,232	9,419	965,252	2020-01-21 10:18
8,167	44,239	55,117	74,896	2,276	2,459	56539,086	55735,825	32,586	15,971	4,232	7,642	53,583	9,450	965,158	2020-01-21 10:18
8,500	44,047	55,007	74,911	2,274	2,459	56921,787	56088,565	30,852	16,206	4,475	7,633	53,128	9,410	965,064	2020-01-21 10:18
8,834	43,965	54,915	75,075	2,274	2,461	57061,108	56863,167	26,393	15,508	4,914	7,628	53,216	9,418	965,064	2020-01-21 10:19
9,167	43,923	54,860	74,971	2,274	2,462	57104,710	56747,967	34,849	15,587	4,585	7,622	53,339	9,429	964,971	2020-01-21 10:19
9,500	43,849	54,809	74,875	2,279	2,460	57304,650	56593,109	52,314	16,263	4,132	7,615	52,974	9,396	964,846	2020-01-21 10:19
9,833	43,756	54,764	75,022	2,273	2,460	57303,275	57135,583	30,664	16,069	4,597	7,578	53,347	9,429	964,846	2020-01-21 10:20
10,167	43,703	54,699	74,994	2,274	2,458	57368,911	57192,405	29,080	14,941	5,488	7,640	53,206	9,417	964,752	2020-01-21 10:20
10,500	43,706	54,662	74,812	2,273	2,459	57180,641	56787,295	23,209	14,561	6,026	7,637	52,985	9,397	964,752	2020-01-21 10:20
10,833	43,687	54,629	74,750	2,274	2,461	57141,257	56764,889	26,378	15,356	5,084	7,730	53,284	9,424	964,658	2020-01-21 10:21
11,167	43,556	54,605	74,590	2,274	2,460	57371,465	56368,910	29,071	15,710	4,512	7,597	53,127	9,410	964,564	2020-01-21 10:21

Pellematic 56_cat IV_run 2_200121 underlag till rådata PDF.DAT

Category: IV

	301	302	304	305	306	308	317	1311	1312	1313	1314	1315	1316	1317	1318	1101	1102
Mättid	CO chimney	CO2 chimney	Pdyn	Pstat	Static pressure chimney	O2 chimney	Våg	Flue gas temp	Ambient	Flue gas at pitot	filter temp 1	filter temp 2	gas meter temp 1	gas meter temp 2	gasmeter temp ambient		T4 outlet load side
Minuter	VDC	VDC	VDC	VDC	VDC	VDC	VDC	°C	°C	°C	°C	°C	°C	°C	°C	°C	°C
11,500	0,210	0,845	1,328	0,189	0,015	0,141	0,953	129,284	19,716	34,316	25,015	27,149	20,017	20,181	19,886	20,232	65,357
11,833	0,240	0,870	1,322	0,188	0,016	0,113	0,953	129,318	19,650	34,181	27,784	28,621	20,018	20,189	19,896	20,235	65,258
12,167	0,213	0,869	1,330	0,189	0,009	0,134	0,951	129,316	19,692	34,072	25,339	28,364	20,014	20,183	19,890	20,238	65,206
12,500	0,211	0,841	1,323	0,189	0,013	0,149	0,950	129,308	19,732	34,056	25,632	28,539	20,026	20,201	19,902	20,240	65,174
12,833	0,212	0,836	1,318	0,188	0,015	0,157	0,949	129,292	19,706	34,196	25,298	23,872	20,033	20,202	19,903	20,242	65,141
13,167	0,211	0,824	1,323	0,189	0,012	0,159	0,948	129,259	19,712	34,277	24,540	16,782	20,024	20,199	19,894	20,240	65,096
13,500	0,212	0,835	1,327	0,190	0,014	0,150	0,947	129,308	19,735	34,084	24,597	24,301	20,029	20,193	19,899	20,241	65,057
13,834	0,213	0,830	1,330	0,187	0,014	0,143	0,946	129,345	19,726	34,024	25,732	26,225	20,027	20,190	19,898	20,243	65,003
14,167	0,236	0,874	1,325	0,190	0,009	0,105	0,945	129,392	19,765	34,258	22,685	26,306	20,028	20,192	19,895	20,245	64,934
14,500	0,224	0,891	1,327	0,193	0,010	0,124	0,944	129,370	19,767	34,236	25,256	25,936	20,031	20,195	19,893	20,242	64,842
14,834	0,211	0,848	1,333	0,192	0,011	0,146	0,943	129,323	19,743	34,123	25,295	25,241	20,015	20,187	19,894	20,243	64,811
15,167	0,210	0,824	1,326	0,192	0,021	0,154	0,941	129,302	19,726	33,990	24,788	23,774	20,028	20,197	19,898	20,244	64,764
15,500	0,210	0,848	1,328	0,193	0,018	0,138	0,940	129,321	19,676	34,092	28,913	28,255	20,029	20,179	19,899	20,242	64,732
15,834	0,214	0,864	1,328	0,192	0,017	0,122	0,939	129,361	19,659	33,953	28,766	30,907	20,027	20,198	19,898	20,244	64,707
16,167	0,218	0,875	1,323	0,191	0,015	0,120	0,939	129,364	19,668	34,070	27,451	28,141	20,026	20,188	19,901	20,245	64,689
16,500	0,211	0,859	1,317	0,190	0,018	0,132	0,937	129,381	19,753	34,328	23,413	22,765	20,037	20,190	19,902	20,246	64,672
16,833	0,211	0,860	1,322	0,189	0,022	0,134	0,936	129,410	19,719	34,423	25,857	25,494	20,041	20,188	19,894	20,244	64,669
17,167	0,217	0,860	1,324	0,190	0,010	0,134	0,936	129,360	19,758	34,140	25,225	27,513	20,044	20,191	19,892	20,245	64,667
17,500	0,215	0,850	1,323	0,191	0,024	0,136	0,935	129,327	19,783	34,041	23,306	22,019	20,028	20,189	19,899	20,246	64,634
17,833	0,214	0,847	1,324	0,192	0,017	0,155	0,933	129,240	19,764	33,983	27,479	30,377	20,036	20,192	19,903	20,247	64,619
18,167	0,211	0,812	1,327	0,190	0,015	0,170	0,932	129,218	19,781	34,018	22,630	23,067	20,030	20,193	19,901	20,250	64,593
18,500	0,212	0,832	1,324	0,189	0,015	0,149	0,931	129,237	19,757	34,089	25,345	29,957	20,039	20,193	19,896	20,248	64,582
18,833	0,221	0,870	1,327	0,190	0,019	0,108	0,929	129,284	19,759	34,089	26,762	25,598	20,039	20,201	19,906	20,250	64,569
19,167	0,217	0,875	1,330	0,190	0,020	0,125	0,929	129,303	19,736	34,327	28,210	26,567	20,038	20,195	19,910	20,253	64,572
19,500	0,214	0,864	1,326	0,190	0,020	0,125	0,928	129,353	19,715	34,305	26,208	28,325	20,041	20,203	19,900	20,252	64,584
19,833	0,214	0,876	1,325	0,190	0,020	0,123	0,926	129,376	19,666	34,088	28,845	22,821	20,041	20,190	19,911	20,254	64,584
20,167	0,211	0,852	1,331	0,191	0,021	0,137	0,925	129,302	19,705	34,164	25,885	42,358	20,030	20,202	19,918	20,254	64,598
20,500	0,212	0,844	1,328	0,186	0,019	0,145	0,924	129,292	19,667	34,111	59,232	5,328	20,041	20,178	19,910	20,255	64,596
20,834	0,212	0,853	1,334	0,190	0,023	0,137	0,923	129,332	19,712	34,252	21,982	84,488	20,040	20,201	19,908	20,255	64,566
21,167	0,213	0,871	1,334	0,189	0,022	0,113	0,922	129,393	19,683	34,249	19,594	35,348	20,043	20,200	19,904	20,258	64,537
21,500	0,230	0,885	1,322	0,191	0,017	0,102	0,921	129,394	19,734	34,201	51,003	53,001	20,044	20,192	19,917	20,258	64,517
21,834	0,247	0,881	1,332	0,192	0,015	0,123	0,920	129,426	19,751	33,986	27,044	34,598	20,047	20,200	19,908	20,258	64,537
22,167	0,213	0,863	1,333	0,189	0,016	0,128	0,919	129,459	19,749	34,050	26,696	29,841	20,033	20,207	19,909	20,260	64,563
22,500	0,214	0,875	1,330	0,190	0,015	0,118	0,917	129,495	19,671	34,093	25,544	22,874	20,035	20,207	19,914	20,260	64,568
22,834	0,212	0,862	1,332	0,191	0,012	0,137	0,916	129,438	19,676	33,986	24,060	25,722	20,040	20,196	19,914	20,260	64,595
23,167	0,212	0,829	1,328	0,190	0,015	0,164	0,915	129,393	19,603	34,243	27,916	38,473	20,047	20,204	19,910	20,264	64,648
23,500	0,212	0,834	1,337	0,192	0,021	0,141	0,915	129,449	19,643	34,071	27,569	32,622	20,047	20,207	19,908	20,264	64,670

Pellematic 56_cat IV_run 2_200121 underlag till rådata PDF.DAT

Category: IV

	1103	1108	1109	130	230	101	102	1	2	3	6	7	8	11	
Mättid	T3 inlet load side	T2 inlet boiler	T1 outlet boiler	Flow load side	Flow boiler side	Heat output load side	Heat output boiler	CO chimney	CO2 chimney	O2 chimney	Pstat	Pdyn	Tunnel velocity	Våg	Tidpunkt
Minuter	°C	°C	°C	m³/h	m³/h	W	W	ppm	%	%	Pa	Pa	m/s	kg	Klockan
11,500	43,471	54,498	74,548	2,273	2,455	57251,106	56433,351	29,666	16,064	4,234	7,550	53,263	9,422	964,564	2020-01-21 10:21
11,833	43,462	54,407	74,520	2,274	2,457	57056,104	56664,809	177,660	17,190	3,394	7,518	52,763	9,378	964,564	2020-01-21 10:22
12,167	43,467	54,370	74,410	2,276	2,460	56944,323	56523,357	30,178	16,464	4,024	7,562	53,286	9,424	964,346	2020-01-21 10:22
12,500	43,469	54,354	74,349	2,274	2,459	56801,886	56358,015	28,663	15,838	4,460	7,541	52,892	9,389	964,346	2020-01-21 10:22
12,833	43,438	54,352	74,456	2,275	2,462	56826,969	56742,877	30,254	15,761	4,718	7,526	52,817	9,382	964,252	2020-01-21 10:23
13,167	43,417	54,314	74,244	2,276	2,458	56787,779	56171,286	33,022	15,698	4,761	7,568	53,035	9,402	964,252	2020-01-21 10:23
13,500	43,383	54,287	74,159	2,274	2,459	56742,863	56023,096	34,120	15,977	4,497	7,593	53,169	9,414	964,158	2020-01-21 10:23
13,834	43,218	54,235	74,167	2,277	2,460	57099,132	56228,316	35,209	15,642	4,296	7,496	53,082	9,406	964,064	2020-01-21 10:24
14,167	43,091	54,156	74,047	2,276	2,465	57226,037	56209,487	138,635	17,017	3,155	7,619	52,763	9,378	964,064	2020-01-21 10:24
14,500	43,046	54,044	74,045	2,273	2,458	57027,471	56364,711	40,355	17,037	3,733	7,717	53,372	9,432	963,971	2020-01-21 10:24
14,834	43,015	53,999	74,136	2,274	2,460	57062,944	56808,261	28,358	16,234	4,387	7,669	53,102	9,408	963,846	2020-01-21 10:25
15,167	43,001	53,966	73,953	2,274	2,457	56979,452	56310,227	25,918	15,447	4,631	7,669	52,979	9,397	963,752	2020-01-21 10:25
15,500	43,004	53,930	73,867	2,276	2,459	56923,000	56207,782	31,931	16,203	4,129	7,710	52,893	9,389	963,752	2020-01-21 10:25
15,834	43,023	53,924	74,014	2,275	2,459	56788,713	56640,830	52,489	16,778	3,662	7,682	53,229	9,419	963,658	2020-01-21 10:26
16,167	43,038	53,930	73,816	2,278	2,464	56773,566	56173,835	48,235	16,841	3,591	7,634	52,775	9,379	963,658	2020-01-21 10:26
16,500	43,063	53,916	73,852	2,274	2,459	56573,238	56201,907	27,234	16,173	3,951	7,615	52,562	9,360	963,564	2020-01-21 10:26
16,833	43,062	53,936	73,702	2,274	2,461	56568,824	55771,400	33,178	16,317	4,028	7,543	52,730	9,375	963,471	2020-01-21 10:27
17,167	43,064	53,945	73,808	2,274	2,459	56558,227	55997,994	52,996	16,571	4,032	7,592	53,125	9,410	963,471	2020-01-21 10:27
17,500	43,079	53,924	73,804	2,277	2,459	56504,566	56046,901	40,073	16,253	4,082	7,628	52,813	9,382	963,348	2020-01-21 10:27
17,833	43,064	53,929	73,612	2,274	2,460	56428,428	55526,457	32,881	15,840	4,651	7,679	52,833	9,384	963,254	2020-01-21 10:28
18,167	43,060	53,906	73,721	2,274	2,459	56373,397	55861,981	31,438	15,111	5,091	7,616	53,058	9,404	963,254	2020-01-21 10:28
18,500	43,118	53,890	73,813	2,274	2,457	56179,093	56133,512	33,601	15,924	4,467	7,548	52,982	9,397	963,160	2020-01-21 10:28
18,833	43,200	53,912	73,620	2,275	2,457	55956,967	55520,610	64,919	17,207	3,237	7,614	52,968	9,396	963,067	2020-01-21 10:29
19,167	43,250	53,953	73,796	2,273	2,464	55792,638	56053,891	33,356	16,577	3,751	7,596	53,257	9,421	963,067	2020-01-21 10:29
19,500	43,272	53,987	73,651	2,275	2,462	55824,592	55509,929	42,189	16,642	3,750	7,587	52,749	9,376	962,974	2020-01-21 10:29
19,833	43,293	53,991	73,728	2,277	2,462	55797,050	55714,006	36,219	17,011	3,680	7,589	53,324	9,427	962,848	2020-01-21 10:30
20,167	43,254	54,006	73,789	2,276	2,460	55911,480	55805,555	29,837	16,187	4,120	7,621	53,290	9,424	962,754	2020-01-21 10:30
20,500	43,173	53,991	73,677	2,273	2,458	56044,138	55473,176	27,827	15,815	4,345	7,457	52,900	9,390	962,754	2020-01-21 10:30
20,834	43,109	53,949	73,669	2,276	2,464	56209,467	55725,574	36,976	16,352	4,120	7,584	53,513	9,444	962,660	2020-01-21 10:31
21,167	43,092	53,915	73,733	2,275	2,460	56169,129	55907,870	36,812	17,153	3,380	7,545	53,284	9,424	962,567	2020-01-21 10:31
21,500	43,133	53,872	73,715	2,273	2,456	55951,561	55893,538	86,343	17,244	3,072	7,623	52,912	9,391	962,567	2020-01-21 10:31
21,834	43,148	53,905	73,657	2,273	2,459	55980,375	55684,420	56,260	16,695	3,679	7,693	53,473	9,440	962,474	2020-01-21 10:32
22,167	43,080	53,924	73,839	2,275	2,460	56260,040	56181,205	39,734	16,589	3,834	7,543	53,270	9,423	962,349	2020-01-21 10:32
22,500	43,135	53,903	73,715	2,276	2,457	56147,373	55812,422	44,013	17,108	3,540	7,613	53,048	9,403	962,255	2020-01-21 10:32
22,834	43,255	53,925	73,885	2,273	2,460	55837,291	56300,510	32,942	16,395	4,112	7,654	53,298	9,425	962,255	2020-01-21 10:33
23,167	43,318	53,999	73,756	2,277	2,459	55901,312	55709,401	30,761	15,411	4,914	7,595	53,159	9,413	962,161	2020-01-21 10:33
23,500	43,331	54,056	73,851	2,274	2,460	55859,539	55842,217	38,465	16,046	4,244	7,687	53,512	9,444	962,160	2020-01-21 10:33

Pellematic 56_cat IV_run 2_200121 underlag till rådata PDF.DAT

Category: IV

	301	302	304	305	306	308	317	1311	1312	1313	1314	1315	1316	1317	1318	1101	1102
Mättid	CO chimney	CO2 chimney	Pdyn	Pstat	Static pressure chimney	O2 chimney	Våg	Flue gas temp	Ambient	Flue gas at pitot	filter temp 1	filter temp 2	gas meter temp 1	gas meter temp 2	gasmeter temp ambient		T4 outlet load side
Minuter	VDC	VDC	VDC	VDC	VDC	VDC	VDC	°C	°C	°C	°C	°C	°C	°C	°C	°C	°C
23,833	0,225	0,865	1,336	0,193	0,017	0,134	0,913	129,392	19,739	33,895	37,956	17,580	20,049	20,208	19,913	20,265	64,672
24,167	0,213	0,830	1,319	0,189	0,018	0,163	0,912	129,315	19,706	34,102	21,553	58,162	20,047	20,214	19,923	20,266	64,660
24,500	0,214	0,812	1,326	0,188	0,015	0,171	0,911	129,293	19,759	34,108	32,237	36,302	20,045	20,203	19,910	20,264	64,643
24,833	0,216	0,826	1,325	0,193	0,017	0,159	0,911	129,292	19,761	34,000	21,800	20,689	20,070	20,215	19,920	20,267	64,675
25,167	0,211	0,839	1,328	0,191	0,010	0,141	0,909	129,350	19,815	34,049	45,005	41,374	20,054	20,219	19,918	20,268	64,656
25,500	0,214	0,850	1,321	0,190	0,014	0,139	0,908	129,398	19,682	34,013	27,133	31,711	20,046	20,222	19,921	20,268	64,625
25,833	0,212	0,845	1,328	0,191	0,014	0,149	0,907	129,341	19,609	34,111	31,359	32,729	48,683	20,234	19,922	20,269	64,599
26,167	0,210	0,811	1,333	0,189	0,013	0,191	0,906	129,234	19,686	33,815	27,695	26,181	-9999,000	20,221	19,914	20,270	64,597
26,500	0,210	0,801	1,333	0,190	0,019	0,162	0,905	129,186	19,701	34,153	36,765	71,818	20,008	20,229	19,925	20,271	64,594
26,833	0,212	0,846	1,321	0,192	0,014	0,122	0,904	129,255	19,724	34,163	-18,154	39,057	20,078	20,236	19,924	20,273	64,500
27,167	0,272	0,887	1,326	0,191	0,020	0,116	0,903	129,299	19,677	34,116	20,182	4,178	20,065	20,238	19,929	20,274	64,486
27,500	0,233	0,875	1,327	0,190	0,014	0,121	0,902	129,309	19,724	34,147	20,200	19,724	20,071	20,243	19,926	20,278	64,480
27,834	0,217	0,863	1,336	0,191	0,022	0,125	0,901	129,318	19,740	33,985	20,214	28,705	20,064	20,246	19,931	20,276	64,504
28,167	0,222	0,878	1,341	0,190	0,018	0,112	0,900	129,316	19,762	33,922	20,222	22,925	4,508	20,236	19,936	20,278	64,546
28,500	0,213	0,867	1,329	0,190	0,018	0,128	0,899	129,274	19,768	33,890	20,233	11,824	-50,393	20,238	19,928	20,279	64,572
28,834	0,245	0,871	1,330	0,190	0,014	0,126	0,897	129,270	19,772	33,995	20,243	15,611	20,234	20,226	19,926	20,278	64,615
29,167	0,216	0,851	1,330	0,191	0,010	0,144	0,896	129,235	19,775	33,897	20,258	20,447	27,583	20,232	19,920	20,277	64,647
29,500	0,215	0,832	1,324	0,193	0,018	0,144	0,895	129,254	19,787	33,958	20,260	18,478	11,839	20,240	19,928	20,279	64,652
29,833	0,213	0,845	1,331	0,192	0,010	0,150	0,894	129,193	19,803	33,927	20,264	22,102	36,065	20,259	19,927	20,279	64,599
30,167	0,213	0,862	1,331	0,187	0,018	0,120	0,893	129,223	19,817	33,981	20,265	20,277	16,605	20,278	19,939	20,281	64,555
30,500	0,215	0,876	1,330	0,189	0,020	0,117	0,892	129,237	19,825	33,887	20,266	21,175	-4998,096	20,272	19,935	20,280	64,560
30,833	0,214	0,859	1,331	0,191	0,014	0,130	0,891	129,298	19,839	34,248	20,274	23,604	22,626	20,253	19,926	20,282	64,572
31,167	0,231	0,870	1,328	0,190	0,016	0,119	0,889	129,364	19,834	34,217	20,270	24,849	18,723	20,254	19,933	20,285	64,556
31,500	0,224	0,881	1,325	0,188	0,014	0,113	0,889	129,393	19,838	34,135	20,273	20,773	-4988,654	20,278	19,931	20,287	64,615
31,833	0,215	0,869	1,330	0,193	0,015	0,133	0,888	129,378	19,839	34,066	20,284	17,310	-41,372	20,343	19,928	20,287	64,737
32,167	0,212	0,838	1,325	0,190	0,010	0,153	0,886	129,303	19,849	33,746	20,290	-52,885	4,473	20,301	19,943	20,289	64,792
32,500	0,212	0,823	1,333	0,192	0,012	0,166	0,884	129,200	19,846	33,876	20,293	24,868	9,759	20,300	19,941	20,286	64,840
32,833	0,210	0,818	1,321	0,191	0,019	0,170	0,884	129,216	19,840	34,012	20,312	14,714	16,376	20,303	19,932	20,289	64,869
33,167	0,212	0,833	1,324	0,190	0,013	0,134	0,883	129,281	19,851	34,022	20,307	20,351	7,939	20,303	19,932	20,289	64,758
33,500	0,215	0,857	1,327	0,190	0,018	0,142	0,882	129,276	19,816	33,926	20,314	20,358	-89,759	20,314	19,925	20,287	64,727
33,834	0,211	0,836	1,328	0,190	0,018	0,156	0,880	129,295	19,851	34,253	20,328	20,363	-4955,558	20,316	19,942	20,292	64,803
34,167	0,213	0,830	1,333	0,192	0,019	0,159	0,880	129,272	19,787	33,973	20,316	20,360	-9999,000	20,313	19,936	20,290	64,858
34,500	0,210	0,816	1,336	0,191	0,018	0,169	0,879	129,229	19,782	33,769	20,337	20,376	-9999,000	20,316	19,944	20,293	64,848
34,834	0,209	0,808	1,329	0,192	0,013	0,170	0,877	129,178	19,799	33,904	20,324	20,371	23,989	20,316	19,936	20,290	64,888
35,167	0,211	0,827	1,323	0,191	0,015	0,155	0,876	129,230	19,775	33,979	20,344	20,381	-4874,108	20,329	19,948	20,296	64,940
35,500	0,212	0,843	1,332	0,191	0,019	0,149	0,875	129,233	19,738	34,088	20,334	20,364	243,666	20,339	19,947	20,294	64,915
35,834	0,210	0,819	1,332	0,190	0,018	0,163	0,875	129,261	19,759	33,841	20,339	20,365	295,293	20,337	19,954	20,295	64,906

Pellematic 56_cat IV_run 2_200121 underlag till rådata PDF.DAT

Category: IV

	1103	1108	1109	130	230	101	102	1	2	3	6	7	8	11	
Mättid	T3 inlet load side	T2 inlet boiler	T1 outlet boiler	Flow load side	Flow boiler side	Heat output load side	Heat output boiler	CO chimney	CO2 chimney	O2 chimney	Pstat	Pdyn	Tunnel velocity	Våg	Tidpunkt
Minuter	°C	°C	°C	m³/h	m³/h	W	W	ppm	%	%	Pa	Pa	m/s	kg	Klockan
23,833	43,319	54,059	73,905	2,276	2,457	55930,606	55921,673	64,615	16,718	4,028	7,704	53,343	9,429	962,067	2020-01-21 10:34
24,167	43,341	54,048	73,825	2,273	2,459	55770,848	55751,135	31,767	15,561	4,887	7,568	52,619	9,365	961,974	2020-01-21 10:34
24,500	43,550	54,067	73,760	2,277	2,458	55286,106	55507,050	39,604	15,131	5,124	7,538	52,971	9,396	961,974	2020-01-21 10:34
24,833	43,537	54,147	73,684	2,272	2,457	55279,804	55035,408	46,977	15,789	4,780	7,713	53,049	9,403	961,853	2020-01-21 10:35
25,167	43,485	54,152	73,624	2,273	2,453	55394,531	54775,454	30,346	16,288	4,236	7,644	53,055	9,403	961,755	2020-01-21 10:35
25,500	43,426	54,121	73,695	2,274	2,462	55486,396	55248,601	36,245	16,209	4,164	7,596	52,800	9,381	961,755	2020-01-21 10:35
25,833	43,425	54,082	73,594	2,276	2,459	55462,127	55009,584	29,205	15,972	4,480	7,642	53,189	9,415	961,661	2020-01-21 10:36
26,167	43,432	54,080	73,612	2,273	2,460	55365,384	55099,646	33,524	14,802	5,739	7,553	53,295	9,425	961,568	2020-01-21 10:36
26,500	43,204	54,079	73,611	2,274	2,459	55995,278	55061,698	25,387	15,433	4,857	7,587	53,228	9,419	961,567	2020-01-21 10:36
26,833	43,196	53,946	73,593	2,273	2,455	55734,439	55306,209	39,352	16,308	3,665	7,699	52,597	9,363	961,474	2020-01-21 10:37
27,167	43,195	53,916	73,681	2,277	2,459	55805,649	55736,446	68,918	17,010	3,467	7,642	53,428	9,436	961,346	2020-01-21 10:37
27,500	43,313	53,910	73,612	2,274	2,458	55400,718	55533,043	123,399	17,067	3,628	7,611	52,856	9,386	961,346	2020-01-21 10:37
27,834	43,412	53,971	73,673	2,276	2,461	55256,451	55587,759	43,967	16,648	3,749	7,622	53,578	9,450	961,252	2020-01-21 10:38
28,167	43,424	54,029	73,637	2,279	2,460	55395,876	55312,679	40,914	17,100	3,366	7,619	53,345	9,429	961,252	2020-01-21 10:38
28,500	43,517	54,052	73,632	2,277	2,459	55184,437	55197,035	39,916	16,532	3,850	7,605	52,989	9,398	961,158	2020-01-21 10:38
28,834	43,599	54,113	73,571	2,274	2,459	55016,161	54850,720	183,163	16,980	3,777	7,584	53,254	9,421	961,064	2020-01-21 10:39
29,167	43,629	54,174	73,673	2,277	2,461	55074,181	55026,218	40,071	16,232	4,307	7,659	52,983	9,397	960,971	2020-01-21 10:39
29,500	43,404	54,198	73,713	2,277	2,461	55691,481	55063,396	36,798	15,687	4,320	7,712	53,030	9,401	960,846	2020-01-21 10:39
29,833	43,382	54,089	73,546	2,274	2,459	55540,142	54864,004	34,783	15,716	4,488	7,667	53,452	9,439	960,846	2020-01-21 10:40
30,167	43,382	54,051	73,566	2,276	2,460	55458,722	55047,646	41,250	16,947	3,608	7,494	53,092	9,407	960,752	2020-01-21 10:40
30,500	43,416	54,049	73,605	2,273	2,462	55312,869	55197,375	34,979	16,989	3,497	7,579	53,182	9,415	960,752	2020-01-21 10:40
30,833	43,308	54,056	73,656	2,277	2,459	55736,610	55253,132	37,038	16,236	3,912	7,635	53,348	9,429	960,658	2020-01-21 10:41
31,167	43,562	54,025	73,718	2,278	2,460	55044,475	55555,278	124,597	16,743	3,584	7,601	53,139	9,411	960,564	2020-01-21 10:41
31,500	43,882	54,138	73,744	2,279	2,457	54379,742	55226,513	69,524	17,139	3,399	7,521	53,055	9,403	960,564	2020-01-21 10:41
31,833	43,934	54,297	73,748	2,274	2,458	54443,645	54817,581	34,369	16,485	3,996	7,708	53,182	9,415	960,471	2020-01-21 10:42
32,167	44,027	54,387	73,740	2,280	2,463	54485,250	54636,646	30,083	15,772	4,579	7,606	53,239	9,420	960,346	2020-01-21 10:42
32,500	44,109	54,460	73,784	2,279	2,460	54361,331	54506,462	34,415	15,388	4,990	7,695	53,087	9,406	960,252	2020-01-21 10:42
32,833	43,629	54,502	73,776	2,276	2,461	55629,292	54379,701	25,897	15,406	5,111	7,630	52,837	9,384	960,252	2020-01-21 10:43
33,167	43,642	54,302	73,853	2,280	2,464	55411,689	55217,540	34,341	16,194	4,021	7,594	52,954	9,395	960,159	2020-01-21 10:43
33,500	43,999	54,275	73,729	2,278	2,460	54345,857	54866,095	35,082	16,175	4,268	7,617	53,066	9,404	960,065	2020-01-21 10:43
33,834	44,122	54,413	73,864	2,276	2,459	54165,215	54829,231	31,105	15,814	4,689	7,607	53,184	9,415	959,971	2020-01-21 10:44
34,167	44,017	54,517	73,629	2,281	2,462	54705,769	53938,509	35,612	15,855	4,778	7,682	53,304	9,425	959,972	2020-01-21 10:44
34,500	44,196	54,490	73,769	2,281	2,460	54202,022	54374,075	27,240	15,339	5,079	7,657	53,299	9,425	959,846	2020-01-21 10:44
34,834	44,278	54,558	73,827	2,282	2,462	54118,326	54385,000	26,767	15,080	5,098	7,675	53,042	9,402	959,846	2020-01-21 10:45
35,167	44,285	54,621	73,824	2,277	2,460	54119,435	54147,531	31,997	15,739	4,656	7,650	52,825	9,383	959,752	2020-01-21 10:45
35,500	44,279	54,632	73,577	2,278	2,457	54101,684	53351,278	29,579	16,233	4,473	7,631	53,505	9,443	959,658	2020-01-21 10:45
35,834	44,236	54,623	73,777	2,280	2,460	54226,806	54013,266	25,401	15,265	4,897	7,620	53,176	9,414	959,658	2020-01-21 10:46

Pellematic 56_cat IV_run 2_200121 underlag till rådata PDF.DAT

Category: IV

	301	302	304	305	306	308	317	1311	1312	1313	1314	1315	1316	1317	1318	1101	1102
Mättid	CO chimney	CO2 chimney	Pdyn	Pstat	Static pressure chimney	O2 chimney	Våg	Flue gas temp	Ambient	Flue gas at pitot	filter temp 1	filter temp 2	gas meter temp 1	gas meter temp 2	gasmeter temp ambient		T4 outlet load side
Minuter	VDC	VDC	VDC	VDC	VDC	VDC	VDC	°C	°C	°C	°C	°C	°C	°C	°C	°C	°C
36,167	0,213	0,840	1,329	0,191	0,022	0,134	0,872	129,316	19,513	33,993	20,337	20,355	365,273	20,332	19,952	20,295	64,891
36,500	0,216	0,869	1,327	0,193	0,019	0,139	0,872	129,277	19,642	34,139	20,338	20,362	134,606	20,333	19,956	20,293	64,895
36,833	0,211	0,821	1,324	0,191	0,018	0,173	0,871	129,190	19,541	33,955	20,339	20,360	-4775,578	20,339	19,957	20,297	64,918
37,167	0,211	0,822	1,319	0,191	0,014	0,152	0,872	129,208	19,582	33,948	20,336	20,371	55,489	20,336	19,948	20,298	64,932
37,500	0,210	0,831	1,324	0,192	0,014	0,151	0,871	129,254	19,643	33,913	20,353	20,359	20,105	20,339	19,959	20,301	64,938
37,833	0,213	0,858	1,317	0,193	0,011	0,132	0,870	129,324	19,656	34,052	20,357	20,361	20,102	20,342	19,958	20,301	64,934
38,167	0,213	0,861	1,323	0,190	0,012	0,123	0,869	129,390	19,617	33,995	20,355	20,371	20,096	20,344	19,948	20,305	64,934
38,500	0,211	0,871	1,329	0,190	0,011	0,115	0,867	129,436	19,609	34,210	20,347	20,356	20,093	20,345	19,952	20,301	64,957
38,833	0,212	0,874	1,327	0,192	0,016	0,128	0,866	129,466	19,626	34,064	20,334	20,338	20,099	20,345	19,970	20,302	64,991
39,167	0,215	0,861	1,324	0,190	0,020	0,131	0,865	129,454	19,636	34,193	20,348	20,335	-9999,000	20,343	19,963	20,302	65,010
39,500	0,221	0,869	1,328	0,190	0,017	0,114	0,864	129,490	19,585	34,072	20,347	20,339	-9999,000	20,345	19,964	20,304	64,966
39,833	0,219	0,867	1,327	0,191	0,018	0,130	0,862	129,538	19,615	33,888	20,345	20,334	-4989,457	20,340	19,967	20,305	64,980
40,167	0,214	0,854	1,340	0,192	0,012	0,140	0,859	129,558	19,594	33,642	20,352	20,332	20,101	20,343	19,971	20,307	65,047
40,500	0,213	0,840	1,333	0,192	0,016	0,155	0,859	129,531	19,575	34,080	20,338	20,336	20,076	20,351	19,964	20,309	65,034
40,834	0,212	0,824	1,318	0,191	0,012	0,162	0,857	129,471	19,549	34,111	20,349	20,327	-9999,000	20,353	19,967	20,309	65,089
41,167	0,213	0,822	1,326	0,191	0,011	0,160	0,856	129,454	19,542	33,838	20,344	20,333	-9999,000	20,354	19,975	20,309	65,167
41,500	0,214	0,821	1,323	0,191	0,012	0,161	0,856	129,466	19,581	33,860	20,338	20,306	-9999,000	20,350	19,980	20,310	65,180
41,834	0,213	0,844	1,331	0,191	0,020	0,147	1,093	129,496	19,626	33,748	20,336	20,316	-5074,743	20,365	19,987	20,314	65,169
42,167	0,214	0,832	1,336	0,191	0,019	0,143	1,092	129,595	19,678	33,906	20,335	20,308	-93,532	20,354	19,983	20,313	65,178
42,500	0,228	0,860	1,327	0,191	0,018	0,119	1,269	129,661	19,697	33,699	20,333	20,309	-5037,631	20,353	19,974	20,313	65,191
42,834	0,370	0,887	1,326	0,194	0,018	0,111	1,329	129,700	19,712	34,037	20,343	20,318	35,654	20,361	19,994	20,317	65,182
43,167	0,241	0,866	1,314	0,192	0,015	0,143	1,452	129,704	19,729	34,023	20,338	20,306	60,054	20,360	19,987	20,315	65,124
43,500	0,216	0,828	1,323	0,191	0,010	0,156	1,515	129,697	19,672	34,009	20,350	20,297	101,701	20,356	19,988	20,315	65,086
43,833	0,216	0,835	1,323	0,192	0,014	0,141	1,515	129,754	19,553	33,871	20,337	20,305	20,096	20,357	19,987	20,315	65,138
44,167	0,213	0,858	1,329	0,191	0,012	0,137	1,513	129,762	19,631	34,084	20,358	20,303	20,094	20,359	19,998	20,317	65,202
44,500	0,217	0,846	1,327	0,189	0,015	0,137	1,512	129,802	19,584	34,330	20,348	20,294	20,098	20,354	19,990	20,317	65,244
44,833	0,217	0,858	1,326	0,193	0,011	0,134	1,512	129,837	19,649	34,280	20,342	20,293	20,103	20,347	20,003	20,315	65,333
45,167	0,217	0,852	1,327	0,190	0,012	0,123	1,510	129,913	19,674	34,242	20,347	20,301	20,102	20,350	19,998	20,317	65,430
45,500	0,217	0,878	1,331	0,191	0,019	0,129	1,508	129,893	19,692	34,174	20,344	20,292	20,103	20,344	20,008	20,319	65,474
45,833	0,213	0,844	1,325	0,190	0,020	0,156	1,507	129,844	19,730	34,236	20,352	20,288	20,102	20,346	20,003	20,315	65,583
46,167	0,212	0,829	1,321	0,192	0,020	0,144	1,507	129,847	19,752	34,103	20,356	20,278	20,105	20,347	20,024	20,317	65,741
46,500	0,211	0,827	1,331	0,189	0,014	0,164	1,505	129,815	19,691	33,882	20,359	20,285	20,106	20,339	20,021	20,317	65,808
46,833	0,214	0,832	1,332	0,192	0,012	0,151	1,504	129,858	19,730	34,029	20,355	20,280	20,106	20,339	20,026	20,317	65,823
47,167	0,215	0,853	1,323	0,190	0,016	0,128	1,503	129,912	19,644	34,138	20,358	20,280	20,112	20,337	20,034	20,321	65,733
47,500	0,215	0,858	1,328	0,191	0,013	0,139	1,502	129,906	19,655	34,119	20,355	20,273	20,114	20,350	20,030	20,317	65,683
47,834	0,212	0,844	1,323	0,190	0,013	0,133	1,500	129,993	19,692	34,140	20,341	20,267	20,100	20,345	20,030	20,319	65,638
48,167	0,215	0,863	1,324	0,190	0,016	0,136	1,500	130,014	19,646	34,278	20,351	20,265	20,104	20,341	20,039	20,319	65,683

Pellematic 56_cat IV_run 2_200121 underlag till rådata PDF.DAT

Category: IV

	1103	1108	1109	130	230	101	102	1	2	3	6	7	8	11	
Mättid	T3 inlet load side	T2 inlet boiler	T1 outlet boiler	Flow load side	Flow boiler side	Heat output load side	Heat output boiler	CO chimney	CO2 chimney	O2 chimney	Pstat	Pdyn	Tunnel velocity	Våg	Tidpunkt
Minuter	°C	°C	°C	m³/h	m³/h	W	W	ppm	%	%	Pa	Pa	m/s	kg	Klockan
36,167	44,200	54,592	73,807	2,278	2,456	54247,794	54100,169	39,378	16,096	4,023	7,625	53,147	9,412	959,471	2020-01-21 10:46
36,500	44,233	54,582	73,810	2,277	2,459	54139,848	54199,382	45,129	16,680	4,184	7,717	53,017	9,400	959,471	2020-01-21 10:46
36,833	44,275	54,596	73,764	2,277	2,459	54078,617	54018,778	28,764	15,392	5,195	7,630	52,794	9,380	959,349	2020-01-21 10:47
37,167	44,243	54,628	73,814	2,278	2,460	54222,178	54105,996	28,315	15,882	4,547	7,651	52,805	9,381	959,471	2020-01-21 10:47
37,500	44,229	54,606	73,739	2,279	2,459	54301,405	53923,194	27,310	15,698	4,518	7,689	52,766	9,378	959,348	2020-01-21 10:47
37,833	44,305	54,624	73,901	2,278	2,458	54065,370	54321,274	47,459	16,670	3,959	7,716	52,707	9,373	959,349	2020-01-21 10:48
38,167	44,264	54,631	73,702	2,280	2,459	54230,028	53753,651	40,292	16,813	3,684	7,587	53,012	9,400	959,255	2020-01-21 10:48
38,500	44,248	54,633	73,928	2,278	2,460	54286,667	54402,608	30,756	16,780	3,462	7,608	53,218	9,418	959,161	2020-01-21 10:48
38,833	44,194	54,646	74,028	2,279	2,462	54531,561	54700,325	33,196	16,676	3,833	7,699	53,125	9,410	959,067	2020-01-21 10:49
39,167	43,894	54,625	73,899	2,277	2,456	55331,668	54264,401	51,123	16,689	3,916	7,614	53,023	9,401	959,067	2020-01-21 10:49
39,500	43,861	54,501	74,083	2,277	2,457	55310,596	55153,246	46,976	17,063	3,431	7,597	53,003	9,399	958,974	2020-01-21 10:49
39,833	43,982	54,455	74,141	2,276	2,462	54991,771	55564,602	36,215	16,450	3,890	7,647	53,129	9,410	958,755	2020-01-21 10:50
40,167	43,905	54,537	74,092	2,279	2,457	55442,384	55078,821	33,399	16,224	4,215	7,678	53,511	9,444	958,661	2020-01-21 10:50
40,500	44,064	54,511	74,192	2,280	2,459	55019,943	55472,258	35,381	15,915	4,664	7,683	53,400	9,434	958,661	2020-01-21 10:50
40,834	44,340	54,595	74,216	2,282	2,459	54475,280	55306,822	36,172	15,652	4,872	7,622	52,786	9,380	958,567	2020-01-21 10:51
41,167	44,354	54,745	74,113	2,278	2,460	54564,986	54609,225	32,947	15,576	4,800	7,641	53,248	9,421	958,474	2020-01-21 10:51
41,500	44,335	54,787	74,062	2,279	2,462	54654,083	54405,542	35,214	15,380	4,845	7,642	52,973	9,396	958,474	2020-01-21 10:51
41,834	44,388	54,779	74,118	2,277	2,458	54454,463	54483,785	38,320	16,340	4,411	7,632	53,178	9,414	973,251	2020-01-21 10:52
42,167	44,485	54,793	74,033	2,280	2,456	54282,225	54164,367	41,255	15,955	4,296	7,635	53,544	9,447	973,251	2020-01-21 10:52
42,500	44,384	54,841	74,104	2,280	2,459	54586,696	54294,816	60,038	16,554	3,577	7,654	53,018	9,400	988,062	2020-01-21 10:52
42,834	44,048	54,816	74,022	2,277	2,460	55374,944	54159,939	690,094	17,211	3,332	7,747	52,942	9,393	988,062	2020-01-21 10:53
43,167	43,811	54,648	74,206	2,275	2,462	55814,139	55193,659	63,573	16,550	4,276	7,675	52,382	9,344	998,253	2020-01-21 10:53
43,500	43,960	54,519	74,264	2,276	2,459	55339,909	55653,154	40,793	15,803	4,677	7,639	52,974	9,396	999,347	2020-01-21 10:53
43,833	44,188	54,588	74,119	2,278	2,462	54915,201	55121,661	38,488	15,938	4,223	7,670	52,864	9,387	999,656	2020-01-21 10:54
44,167	44,303	54,715	74,189	2,281	2,464	54859,167	54992,856	34,365	16,479	4,120	7,651	53,040	9,402	999,563	2020-01-21 10:54
44,500	44,597	54,790	74,195	2,277	2,459	54088,749	54695,134	57,391	16,277	4,110	7,578	52,868	9,387	999,472	2020-01-21 10:54
44,833	44,891	54,945	74,334	2,277	2,459	53545,996	54636,302	45,255	16,437	4,016	7,722	53,074	9,405	999,472	2020-01-21 10:55
45,167	44,890	55,107	74,253	2,277	2,459	53808,928	53951,290	41,914	16,301	3,698	7,600	53,179	9,414	999,348	2020-01-21 10:55
45,500	45,203	55,176	74,404	2,278	2,460	53125,881	54215,527	44,359	16,791	3,871	7,655	53,176	9,414	999,253	2020-01-21 10:55
45,833	45,721	55,356	74,238	2,276	2,460	51983,469	53236,727	33,260	16,066	4,692	7,604	52,942	9,393	999,159	2020-01-21 10:56
46,167	45,784	55,644	74,404	2,279	2,460	52295,792	52889,656	29,595	16,072	4,307	7,673	52,963	9,395	999,159	2020-01-21 10:56
46,500	45,748	55,749	74,320	2,280	2,465	52601,060	52460,442	29,123	15,170	4,932	7,562	53,393	9,433	999,065	2020-01-21 10:56
46,833	45,399	55,739	74,432	2,278	2,462	53507,105	52729,765	39,988	15,926	4,541	7,665	53,087	9,406	998,973	2020-01-21 10:57
47,167	45,128	55,567	74,417	2,282	2,462	54100,849	53176,692	48,043	16,694	3,833	7,618	52,958	9,395	998,973	2020-01-21 10:57
47,500	44,992	55,421	74,495	2,279	2,462	54244,141	53819,846	35,881	16,318	4,171	7,648	53,058	9,404	998,847	2020-01-21 10:57
47,834	44,904	55,304	74,543	2,280	2,456	54378,467	54154,982	29,979	16,117	4,002	7,590	52,976	9,396	998,753	2020-01-21 10:58
48,167	44,805	55,278	74,679	2,280	2,464	54765,560	54774,808	44,494	16,449	4,095	7,587	52,854	9,386	998,752	2020-01-21 10:58

Pellematic 56_cat IV_run 2_200121 underlag till rådata PDF.DAT

Category: IV

	301	302	304	305	306	308	317	1311	1312	1313	1314	1315	1316	1317	1318	1101	1102
Mättid	CO chimney	CO2 chimney	Pdyn	Pstat	Static pressure chimney	O2 chimney	Våg	Flue gas temp	Ambient	Flue gas at pitot	filter temp 1	filter temp 2	gas meter temp 1	gas meter temp 2	gasmeter temp ambient		T4 outlet load side
Minuter	VDC	VDC	VDC	VDC	VDC	VDC	VDC	°C	°C	°C	°C	°C	°C	°C	°C	°C	°C
48,500	0,216	0,862	1,326	0,191	0,016	0,123	1,499	130,022	19,695	34,100	20,356	20,277	20,118	20,341	20,053	20,326	65,711
48,834	0,213	0,849	1,331	0,192	0,018	0,150	1,497	130,007	19,752	33,826	20,350	20,268	20,111	20,343	20,051	20,325	65,718
49,167	0,213	0,823	1,331	0,191	0,020	0,171	1,496	129,985	19,741	34,080	20,352	20,269	20,110	20,348	20,055	20,327	65,704
49,500	0,211	0,802	1,326	0,190	0,021	0,187	1,496	129,916	19,718	34,026	20,359	20,264	20,112	20,343	20,066	20,327	65,722
49,834	0,213	0,796	1,325	0,194	0,013	0,178	1,495	129,872	19,700	33,891	20,369	20,268	20,113	20,354	20,079	20,335	65,716
50,167	0,213	0,804	1,331	0,192	0,018	0,175	1,494	129,878	19,732	33,780	20,366	20,268	20,125	20,347	20,063	20,332	65,690
50,500	0,212	0,835	1,333	0,194	0,016	0,145	1,492	129,896	19,734	33,747	20,355	20,251	20,116	20,338	20,063	20,329	65,657
50,833	0,212	0,831	1,330	0,193	0,013	0,163	1,491	129,863	19,741	33,936	20,363	20,260	20,112	20,333	20,072	20,335	65,550
51,167	0,210	0,803	1,326	0,192	0,020	0,188	1,491	129,821	19,652	34,338	20,355	20,240	20,110	20,335	20,082	20,335	65,432
51,500	0,211	0,806	1,325	0,193	0,016	0,170	1,489	129,809	19,665	34,210	20,347	20,233	20,112	20,332	20,084	20,331	65,378
51,833	0,211	0,801	1,326	0,191	0,018	0,177	1,489	129,798	19,698	34,163	20,357	20,236	20,117	20,348	20,092	20,340	65,299
52,167	0,213	0,822	1,337	0,191	0,015	0,155	1,487	129,843	19,688	34,119	20,355	20,231	20,109	20,346	20,087	20,335	65,252
52,500	0,212	0,851	1,332	0,189	0,014	0,147	1,487	129,830	19,615	34,270	20,346	20,227	20,108	20,351	20,093	20,334	65,196
52,833	0,212	0,820	1,337	0,192	0,011	0,158	1,486	129,779	19,688	34,112	20,351	20,237	20,116	20,340	20,108	20,338	65,171
53,167	0,211	0,829	1,330	0,191	0,010	0,159	1,485	129,805	19,708	34,227	20,363	20,243	20,123	20,336	20,118	20,344	65,138
53,500	0,213	0,835	1,328	0,189	0,014	0,147	1,484	129,837	19,640	34,238	20,365	20,246	20,123	20,342	20,120	20,349	65,094
53,833	0,231	0,861	1,321	0,191	0,022	0,127	1,483	129,828	19,673	34,248	20,359	20,238	20,126	20,342	20,121	20,343	65,035
54,167	0,213	0,842	1,331	0,190	0,021	0,149	1,482	129,821	19,703	33,870	20,347	20,220	20,122	20,336	20,122	20,341	65,002
54,500	0,215	0,843	1,329	0,190	0,024	0,142	1,480	129,835	19,756	34,265	20,366	20,224	20,124	20,342	20,137	20,349	64,973
54,834	0,213	0,849	1,317	0,191	0,016	0,142	1,480	129,844	19,732	34,242	20,365	20,229	20,128	20,341	20,148	20,350	64,947
55,167	0,217	0,855	1,322	0,192	0,019	0,131	1,479	129,843	19,723	33,983	20,353	20,224	20,126	20,341	20,148	20,346	64,928
55,500	0,215	0,850	1,331	0,192	0,023	0,133	1,477	129,914	19,678	34,164	20,371	20,235	20,134	20,346	20,156	20,356	64,940
55,834	0,217	0,860	1,329	0,190	0,016	0,132	1,476	129,916	19,662	34,077	20,367	20,225	20,129	20,338	20,146	20,347	64,916
56,167	0,222	0,868	1,330	0,190	0,023	0,124	1,475	129,951	19,687	34,080	20,360	20,229	20,129	20,323	20,144	20,345	64,916
56,500	0,223	0,873	1,330	0,190	0,016	0,110	1,475	130,007	19,671	34,116	20,375	20,230	20,133	20,338	20,165	20,358	64,945
56,834	0,322	0,883	1,322	0,193	0,018	0,111	1,473	130,054	19,730	34,396	20,383	20,229	20,149	20,361	20,170	20,362	64,984
57,167	0,224	0,872	1,317	0,190	0,016	0,131	1,472	130,107	19,653	34,501	20,363	20,220	20,138	20,337	20,167	20,354	64,994
57,500	0,216	0,858	1,317	0,192	0,013	0,136	1,470	130,124	19,712	34,316	20,365	20,220	20,141	20,339	20,168	20,353	65,026
57,833	0,216	0,857	1,321	0,191	0,015	0,127	1,469	130,141	19,714	34,415	20,357	20,210	20,127	20,339	20,173	20,351	65,046
58,167	0,218	0,860	1,334	0,190	0,021	0,136	1,468	130,101	19,731	34,215	20,367	20,209	20,135	20,331	20,178	20,354	65,069
58,500	0,214	0,826	1,335	0,192	0,018	0,168	1,467	130,061	19,674	34,262	20,359	20,215	20,137	20,337	20,181	20,355	65,108
58,833	0,216	0,824	1,339	0,192	0,010	0,167	1,467	130,001	19,697	34,070	20,374	20,209	20,144	20,330	20,183	20,353	65,077
59,167	0,215	0,814	1,330	0,191	0,011	0,161	1,464	129,982	19,685	34,116	20,384	20,213	20,140	20,349	20,193	20,359	65,020
59,500	0,213	0,822	1,329	0,193	0,015	0,154	1,464	129,954	19,664	34,196	20,369	20,210	20,140	20,341	20,195	20,357	64,971
59,833	0,216	0,839	1,328	0,191	0,015	0,159	1,463	129,928	19,653	34,195	20,359	20,203	20,134	20,335	20,203	20,351	64,938
60,167	0,213	0,827	1,324	0,192	0,012	0,147	1,462	129,955	19,679	33,997	20,359	20,194	20,135	20,323	20,194	20,350	64,913
60,500	0,213	0,862	1,329	0,191	0,024	0,121	1,461	130,004	19,718	33,866	20,381	20,210	20,136	20,339	20,212	20,364	64,906

Pellematic 56_cat IV_run 2_200121 underlag till rådata PDF.DAT

Category: IV

	1103	1108	1109	130	230	101	102	1	2	3	6	7	8	11	
Mättid	T3 inlet load side	T2 inlet boiler	T1 outlet boiler	Flow load side	Flow boiler side	Heat output load side	Heat output boiler	CO chimney	CO2 chimney	O2 chimney	Pstat	Pdyn	Tunnel velocity	Våg	Tidpunkt
Minuter	°C	°C	°C	m³/h	m³/h	W	W	ppm	%	%	Pa	Pa	m/s	kg	Klockan
48,500	44,546	55,240	74,704	2,279	2,463	55489,889	54942,369	50,663	16,964	3,697	7,637	53,062	9,404	998,659	2020-01-21 10:58
48,834	44,379	55,139	74,746	2,275	2,457	55871,860	55220,075	34,874	15,901	4,496	7,676	53,334	9,428	998,565	2020-01-21 10:59
49,167	44,378	55,060	74,907	2,278	2,460	55914,374	55965,794	36,814	15,439	5,127	7,622	53,077	9,405	998,473	2020-01-21 10:59
49,500	44,393	55,051	74,860	2,275	2,464	55846,329	55934,308	31,102	14,947	5,607	7,594	52,854	9,386	998,474	2020-01-21 10:59
49,834	44,383	55,070	74,812	2,278	2,462	55911,974	55708,030	36,426	15,008	5,342	7,766	52,936	9,393	998,347	2020-01-21 11:00
50,167	44,335	55,045	74,686	2,278	2,460	55968,356	55375,777	35,117	15,010	5,245	7,686	53,474	9,441	998,347	2020-01-21 11:00
50,500	44,086	55,006	74,729	2,276	2,461	56511,895	55626,779	33,268	16,187	4,360	7,749	53,299	9,425	998,253	2020-01-21 11:00
50,833	43,882	54,867	74,589	2,276	2,459	56748,307	55580,061	33,096	15,553	4,901	7,732	53,218	9,418	998,160	2020-01-21 11:01
51,167	43,850	54,713	74,545	2,276	2,459	56523,106	55899,532	29,395	14,867	5,650	7,670	53,023	9,401	998,163	2020-01-21 11:01
51,500	43,781	54,650	74,417	2,276	2,455	56565,208	55635,317	31,927	15,524	5,090	7,735	53,117	9,409	998,069	2020-01-21 11:01
51,833	43,746	54,586	74,394	2,274	2,457	56412,219	55788,332	29,833	14,825	5,317	7,648	53,100	9,407	998,070	2020-01-21 11:02
52,167	43,778	54,537	74,452	2,275	2,454	56233,473	56021,335	44,551	15,716	4,646	7,621	53,578	9,450	997,852	2020-01-21 11:02
52,500	43,803	54,527	74,232	2,275	2,458	56004,930	55533,674	37,200	16,413	4,408	7,569	53,191	9,416	997,852	2020-01-21 11:02
52,833	43,835	54,526	74,134	2,274	2,457	55842,973	55225,618	30,506	15,465	4,728	7,688	53,135	9,411	997,852	2020-01-21 11:03
53,167	43,864	54,529	74,207	2,274	2,455	55677,937	55380,405	32,421	15,509	4,758	7,632	53,167	9,413	997,758	2020-01-21 11:03
53,500	43,876	54,525	74,222	2,274	2,457	55533,724	55485,923	41,436	15,978	4,417	7,546	53,064	9,404	997,758	2020-01-21 11:03
53,833	43,871	54,505	74,034	2,274	2,459	55394,512	55043,584	120,612	16,855	3,807	7,648	52,999	9,398	997,665	2020-01-21 11:04
54,167	43,875	54,487	73,987	2,276	2,458	55327,306	54947,143	35,285	15,821	4,469	7,590	53,334	9,428	997,571	2020-01-21 11:04
54,500	43,860	54,473	73,921	2,276	2,457	55296,662	54769,802	39,146	16,113	4,267	7,611	52,717	9,373	997,572	2020-01-21 11:04
54,834	43,839	54,452	73,905	2,273	2,456	55210,277	54775,257	41,750	16,267	4,271	7,621	52,580	9,361	997,481	2020-01-21 11:05
55,167	43,871	54,430	73,910	2,274	2,457	55107,762	54865,611	48,655	16,627	3,940	7,661	53,080	9,406	997,352	2020-01-21 11:05
55,500	43,845	54,448	73,806	2,274	2,461	55210,374	54604,809	40,379	16,128	4,002	7,681	53,454	9,439	997,258	2020-01-21 11:05
55,834	43,889	54,438	74,009	2,276	2,460	55069,167	55200,565	49,040	16,339	3,953	7,586	52,918	9,391	997,258	2020-01-21 11:06
56,167	43,962	54,436	73,844	2,275	2,455	54858,493	54629,782	69,968	16,861	3,724	7,612	53,249	9,421	997,164	2020-01-21 11:06
56,500	44,013	54,480	73,949	2,275	2,459	54798,716	54872,992	70,360	17,031	3,292	7,619	53,118	9,409	997,163	2020-01-21 11:06
56,834	43,991	54,512	73,911	2,276	2,456	54974,585	54625,034	87,017	16,905	3,331	7,726	52,728	9,374	997,069	2020-01-21 11:07
57,167	43,916	54,519	73,989	2,274	2,456	55170,745	54816,062	49,227	16,572	3,943	7,601	52,633	9,366	996,977	2020-01-21 11:07
57,500	43,915	54,505	73,985	2,275	2,456	55279,920	54846,023	42,636	16,524	4,079	7,691	52,599	9,363	996,850	2020-01-21 11:07
57,833	43,976	54,525	74,057	2,273	2,460	55104,478	55072,576	53,757	16,702	3,809	7,645	53,033	9,402	996,756	2020-01-21 11:08
58,167	44,026	54,565	74,054	2,275	2,457	55101,489	54899,286	43,860	16,411	4,094	7,591	53,290	9,424	996,756	2020-01-21 11:08
58,500	43,965	54,597	74,108	2,273	2,459	55305,674	54987,253	36,134	15,329	5,052	7,694	53,560	9,448	996,663	2020-01-21 11:08
58,833	43,767	54,562	74,151	2,278	2,460	55870,717	55245,086	49,728	15,706	5,021	7,682	53,744	9,464	996,663	2020-01-21 11:09
59,167	43,655	54,463	74,123	2,275	2,460	55938,016	55448,292	34,176	15,552	4,839	7,634	53,197	9,416	996,487	2020-01-21 11:09
59,500	43,593	54,380	74,054	2,274	2,459	55954,613	55455,589	35,938	15,416	4,625	7,713	53,225	9,418	996,477	2020-01-21 11:09
59,833	43,546	54,332	74,038	2,273	2,460	55958,268	55585,389	44,788	15,871	4,771	7,652	53,049	9,403	996,352	2020-01-21 11:10
60,167	43,545	54,301	74,085	2,274	2,459	55932,964	55769,353	35,199	15,923	4,418	7,663	53,061	9,404	996,352	2020-01-21 11:10
60,500	43,516	54,291	73,957	2,273	2,459	55957,373	55435,862	34,364	16,846	3,639	7,629	53,281	9,423	996,257	2020-01-21 11:10

Pellematic 56_cat IV_run 2_200121 underlag till rådata PDF.DAT

Category: IV

	301	302	304	305	306	308	317	1311	1312	1313	1314	1315	1316	1317	1318	1101	1102
Mättid	CO chimney	CO2 chimney	Pdyn	Pstat	Static pressure chimney	O2 chimney	Våg	Flue gas temp	Ambient	Flue gas at pitot	filter temp 1	filter temp 2	gas meter temp 1	gas meter temp 2	gasmeter temp ambient		T4 outlet load side
Minuter	VDC	VDC	VDC	VDC	VDC	VDC	VDC	°C	°C	°C	°C	°C	°C	°C	°C	°C	°C
60,833	0,216	0,865	1,333	0,190	0,016	0,121	1,460	130,042	19,625	34,218	20,359	20,194	20,131	20,322	20,211	20,351	64,899
61,167	0,217	0,870	1,333	0,192	0,014	0,130	1,459	130,028	19,657	33,959	20,360	20,182	20,135	20,331	20,218	20,353	64,861
61,500	0,212	0,851	1,330	0,192	0,010	0,150	1,457	129,988	19,676	34,135	20,359	20,188	20,138	20,325	20,208	20,351	64,832
61,834	0,212	0,831	1,334	0,191	0,011	0,144	1,457	130,006	19,706	34,171	20,358	20,179	20,141	20,325	20,216	20,353	64,820
62,167	0,218	0,853	1,326	0,191	0,011	0,127	1,456	130,040	19,717	34,223	20,372	20,198	20,145	20,329	20,222	20,360	64,803
62,500	0,219	0,865	1,326	0,192	0,012	0,142	1,454	130,040	19,694	34,061	20,377	20,202	20,150	20,350	20,240	20,364	64,816
62,834	0,213	0,841	1,329	0,191	0,009	0,140	1,454	130,010	19,657	34,247	20,366	20,183	20,147	20,341	20,237	20,358	64,789
63,167	0,213	0,850	1,334	0,191	0,016	0,135	1,452	130,018	19,692	34,090	20,369	20,190	20,135	20,332	20,235	20,364	64,780
63,500	0,214	0,855	1,336	0,191	0,014	0,129	1,452	130,066	19,685	33,934	20,372	20,183	20,150	20,338	20,235	20,366	64,768
63,833	0,214	0,852	1,333	0,192	0,009	0,144	1,450	130,051	19,654	34,103	20,366	20,179	20,140	20,332	20,237	20,358	64,746
64,167	0,216	0,853	1,321	0,191	0,012	0,134	1,450	130,034	19,724	34,054	20,361	20,178	20,129	20,333	20,239	20,353	64,740
64,500	0,216	0,854	1,321	0,192	0,012	0,130	1,448	130,036	19,759	34,341	20,362	20,181	20,141	20,333	20,258	20,358	64,735
64,833	0,222	0,861	1,325	0,192	0,022	0,122	1,448	130,102	19,764	34,211	20,380	20,181	20,145	20,323	20,249	20,360	64,719
65,167	0,243	0,889	1,329	0,193	0,020	0,114	1,446	130,152	19,721	33,879	20,369	20,177	20,130	20,322	20,253	20,353	64,721
65,500	0,218	0,865	1,327	0,192	0,014	0,128	1,447	130,158	19,740	34,479	20,373	20,182	20,133	20,324	20,251	20,360	64,706
65,833	0,216	0,858	1,317	0,193	0,011	0,123	1,443	130,174	19,782	34,590	20,369	20,181	20,142	20,325	20,260	20,360	64,703
66,167	0,221	0,871	1,321	0,192	0,019	0,132	1,443	130,154	19,798	34,323	20,375	20,177	20,130	20,323	20,254	20,357	64,703
66,500	0,217	0,838	1,331	0,191	0,013	0,156	1,441	130,158	19,675	34,176	20,369	20,173	20,131	20,320	20,259	20,355	64,717
66,833	0,218	0,846	1,329	0,192	0,016	0,133	1,441	130,153	19,693	34,338	20,371	20,175	20,130	20,319	20,256	20,356	64,721
67,167	0,216	0,849	1,322	0,191	0,012	0,149	1,440	130,091	19,717	34,095	20,371	20,183	20,128	20,320	20,263	20,353	64,718
67,500	0,215	0,809	1,327	0,191	0,017	0,176	1,438	130,023	19,727	34,296	20,379	20,188	20,130	20,311	20,271	20,358	64,715
67,834	0,216	0,824	1,326	0,189	0,016	0,161	1,437	130,014	19,723	34,412	20,372	20,177	20,143	20,318	20,261	20,355	64,699
68,167	0,216	0,821	1,324	0,192	0,015	0,171	1,436	130,005	19,745	34,409	20,379	20,175	20,129	20,317	20,271	20,360	64,666
68,500	0,215	0,806	1,330	0,191	0,013	0,165	1,436	129,972	19,745	34,353	20,368	20,168	20,132	20,316	20,275	20,356	64,627
68,834	0,214	0,822	1,327	0,191	0,011	0,165	1,434	129,940	19,766	34,569	20,373	20,170	20,135	20,320	20,281	20,359	64,590
69,167	0,215	0,826	1,324	0,191	0,010	0,163	1,433	129,939	19,746	34,613	20,363	20,164	20,125	20,318	20,279	20,359	64,565
69,500	0,219	0,838	1,331	0,189	0,015	0,133	1,432	130,033	19,735	34,710	20,359	20,153	20,130	20,324	20,293	20,361	64,548
69,834	0,216	0,854	1,327	0,191	0,012	0,136	1,432	130,073	19,652	34,634	20,359	20,158	20,143	20,316	20,284	20,360	64,517
70,167	0,217	0,861	1,321	0,189	0,019	0,126	1,430	130,072	19,625	34,340	20,352	20,155	20,140	20,308	20,286	20,356	64,537
70,500	0,221	0,860	1,326	0,190	0,010	0,149	1,429	130,062	19,629	34,393	20,362	20,162	20,142	20,316	20,293	20,359	64,531
70,833	0,215	0,826	1,328	0,191	0,013	0,151	1,428	130,043	19,589	34,344	20,360	20,156	20,137	20,308	20,296	20,356	64,538
71,167	0,213	0,837	1,327	0,190	0,014	0,145	1,427	130,088	19,560	34,579	20,362	20,155	20,133	20,318	20,296	20,359	64,530
71,500	0,213	0,845	1,322	0,193	0,016	0,141	1,425	130,115	19,592	34,608	20,362	20,162	20,132	20,320	20,292	20,358	64,486
71,833	0,222	0,862	1,327	0,192	0,017	0,126	1,424	130,127	19,548	34,045	20,366	20,160	20,143	20,312	20,304	20,361	64,469
72,167	0,216	0,854	1,323	0,189	0,012	0,147	1,424	130,058	19,503	34,086	20,367	20,149	20,137	20,322	20,308	20,360	64,486
72,500	0,213	0,819	1,327	0,190	0,013	0,175	1,422	130,042	19,509	34,273	20,362	20,147	20,139	20,317	20,302	20,363	64,490
72,833	0,214	0,815	1,326	0,190	0,017	0,150	1,422	130,099	19,486	34,460	20,354	20,140	20,142	20,318	20,311	20,363	64,484

Pellematic 56_cat IV_run 2_200121 underlag till rådata PDF.DAT

Category: IV

	1103	1108	1109	130	230	101	102	1	2	3	6	7	8	11	
Mättid	T3 inlet load side	T2 inlet boiler	T1 outlet boiler	Flow load side	Flow boiler side	Heat output load side	Heat output boiler	CO chimney	CO2 chimney	O2 chimney	Pstat	Pdyn	Tunnel velocity	Våg	Tidpunkt
Minuter	°C	°C	°C	m³/h	m³/h	W	W	ppm	%	%	Pa	Pa	m/s	kg	Klockan
60,833	43,415	54,276	74,065	2,273	2,459	56199,559	55780,782	38,455	16,559	3,639	7,607	53,492	9,442	996,257	2020-01-21 11:11
61,167	43,331	54,214	74,195	2,270	2,459	56255,316	56334,984	44,868	16,650	3,894	7,661	53,230	9,419	996,164	2020-01-21 11:11
61,500	43,326	54,154	74,040	2,275	2,458	56325,439	56044,988	29,580	16,175	4,509	7,671	53,297	9,425	996,069	2020-01-21 11:11
61,834	43,338	54,138	73,969	2,273	2,459	56206,255	55901,099	37,149	15,930	4,322	7,629	53,398	9,434	996,069	2020-01-21 11:12
62,167	43,349	54,143	73,989	2,277	2,460	56234,825	55982,669	54,767	16,363	3,806	7,641	52,924	9,392	995,977	2020-01-21 11:12
62,500	43,352	54,155	73,961	2,272	2,459	56129,187	55833,408	46,446	16,401	4,274	7,683	53,143	9,411	995,851	2020-01-21 11:12
62,834	43,359	54,151	73,953	2,274	2,459	56093,576	55817,404	33,952	16,300	4,213	7,653	53,295	9,425	995,851	2020-01-21 11:13
63,167	43,357	54,134	73,967	2,275	2,456	56103,119	55853,596	33,534	16,224	4,046	7,637	53,397	9,434	995,757	2020-01-21 11:13
63,500	43,367	54,130	73,887	2,274	2,460	56023,675	55730,737	35,791	16,354	3,876	7,654	53,267	9,422	995,757	2020-01-21 11:13
63,833	43,368	54,122	73,886	2,276	2,456	55996,581	55659,863	38,889	16,062	4,321	7,672	53,132	9,410	995,663	2020-01-21 11:14
64,167	43,353	54,115	73,878	2,273	2,456	55944,985	55642,354	44,552	16,501	4,021	7,644	52,918	9,391	995,570	2020-01-21 11:14
64,500	43,337	54,122	73,954	2,276	2,459	56053,101	55904,497	41,383	16,367	3,914	7,688	52,810	9,382	995,478	2020-01-21 11:14
64,833	43,323	54,098	73,880	2,274	2,460	55998,202	55799,926	52,764	16,397	3,646	7,675	53,018	9,400	995,478	2020-01-21 11:15
65,167	43,297	54,090	73,863	2,273	2,457	56042,910	55698,194	157,915	17,357	3,421	7,726	53,069	9,405	995,354	2020-01-21 11:15
65,500	43,284	54,067	74,003	2,276	2,455	56129,640	56124,825	48,384	16,722	3,847	7,661	53,260	9,422	995,259	2020-01-21 11:15
65,833	43,285	54,063	73,935	2,275	2,454	56081,596	55906,783	43,096	16,466	3,702	7,724	52,444	9,349	995,165	2020-01-21 11:16
66,167	43,295	54,061	73,881	2,275	2,458	56064,407	55858,128	49,967	16,570	3,961	7,691	52,653	9,368	995,166	2020-01-21 11:16
66,500	43,308	54,071	73,902	2,271	2,457	55972,412	55861,967	48,927	15,774	4,687	7,650	53,393	9,433	995,071	2020-01-21 11:16
66,833	43,301	54,085	73,926	2,273	2,453	56035,453	55793,296	51,814	16,476	3,998	7,690	53,321	9,427	995,071	2020-01-21 11:17
67,167	43,299	54,090	73,875	2,274	2,456	56069,662	55706,174	42,886	16,019	4,465	7,656	52,842	9,385	994,979	2020-01-21 11:17
67,500	43,309	54,088	73,831	2,275	2,458	56069,879	55646,009	38,764	14,787	5,269	7,635	53,296	9,425	994,853	2020-01-21 11:17
67,834	43,304	54,079	73,831	2,271	2,455	55939,572	55606,222	44,697	15,722	4,834	7,559	53,140	9,411	994,852	2020-01-21 11:18
68,167	43,303	54,073	73,806	2,276	2,457	55961,003	55586,308	43,938	15,507	5,134	7,682	52,924	9,392	994,758	2020-01-21 11:18
68,500	43,301	54,040	73,781	2,274	2,455	55827,596	55575,916	40,228	15,215	4,937	7,658	53,072	9,405	994,759	2020-01-21 11:18
68,834	43,295	54,026	73,712	2,274	2,456	55749,494	55445,778	38,023	15,339	4,941	7,650	53,065	9,404	994,572	2020-01-21 11:19
69,167	43,292	54,016	73,630	2,274	2,456	55685,341	55225,477	48,480	15,712	4,880	7,629	52,999	9,398	994,571	2020-01-21 11:19
69,500	43,302	54,017	73,584	2,273	2,460	55580,511	55200,755	55,769	16,381	3,980	7,559	53,308	9,426	994,479	2020-01-21 11:19
69,834	43,375	54,005	73,627	2,276	2,457	55380,765	55278,975	36,219	16,127	4,086	7,658	52,920	9,392	994,479	2020-01-21 11:20
70,167	43,439	54,033	73,606	2,274	2,457	55227,076	55151,277	45,949	16,580	3,776	7,562	52,763	9,378	994,354	2020-01-21 11:20
70,500	43,488	54,062	73,613	2,277	2,458	55148,161	55101,604	66,183	16,344	4,472	7,603	53,050	9,403	994,354	2020-01-21 11:20
70,833	43,452	54,087	73,582	2,276	2,459	55235,473	54961,325	34,115	15,853	4,542	7,650	53,022	9,400	994,259	2020-01-21 11:21
71,167	43,348	54,079	73,512	2,276	2,462	55482,612	54854,745	32,694	15,842	4,355	7,589	53,170	9,414	994,166	2020-01-21 11:21
71,500	43,345	54,024	73,474	2,277	2,459	55415,742	54831,017	36,457	16,066	4,238	7,703	52,954	9,395	994,072	2020-01-21 11:21
71,833	43,366	53,995	73,578	2,275	2,458	55253,590	55199,668	80,463	16,769	3,790	7,667	53,139	9,411	993,979	2020-01-21 11:22
72,167	43,355	54,016	73,425	2,275	2,461	55335,734	54762,447	40,416	16,110	4,415	7,542	52,678	9,370	993,979	2020-01-21 11:22
72,500	43,309	54,006	73,672	2,276	2,458	55484,310	55425,924	32,686	15,149	5,247	7,593	53,237	9,420	993,852	2020-01-21 11:22
72,833	43,228	53,986	73,460	2,276	2,457	55686,979	54859,854	44,984	15,596	4,504	7,617	53,343	9,429	993,853	2020-01-21 11:23

Pellematic 56_cat IV_run 2_200121 underlag till rådata PDF.DAT

Category: IV

	301	302	304	305	306	308	317	1311	1312	1313	1314	1315	1316	1317	1318	1101	1102
Mättid	CO chimney	CO2 chimney	Pdyn	Pstat	Static pressure chimney	O2 chimney	Våg	Flue gas temp	Ambient	Flue gas at pitot	filter temp 1	filter temp 2	gas meter temp 1	gas meter temp 2	gasmeter temp ambient		T4 outlet load side
Minuter	VDC	VDC	VDC	VDC	VDC	VDC	VDC	°C	°C	°C	°C	°C	°C	°C	°C	°C	°C
73,167	0,215	0,861	1,333	0,192	0,020	0,132	1,420	130,127	19,497	34,293	20,341	20,146	20,138	20,321	20,318	20,364	64,459
73,500	0,218	0,853	1,331	0,192	0,017	0,136	1,425	130,147	19,463	34,295	20,343	20,145	20,132	20,309	20,325	20,364	64,429
73,833	0,218	0,849	1,333	0,191	0,020	0,137	1,465	130,138	19,372	34,129	20,349	20,138	20,146	20,319	20,330	20,370	64,399
74,167	0,220	0,850	1,326	0,193	0,015	0,142	1,465	130,103	19,380	34,031	20,361	20,152	20,156	20,333	20,337	20,381	64,353
74,500	0,219	0,855	1,332	0,194	0,014	0,133	1,463	130,103	19,426	34,033	20,352	20,139	20,156	20,331	20,336	20,376	64,348
74,834	0,217	0,850	1,336	0,193	0,018	0,138	1,463	130,102	19,435	34,033	20,365	20,144	20,156	20,327	20,340	20,378	64,341
75,167	0,220	0,844	1,337	0,190	0,012	0,137	1,460	130,154	19,464	33,947	20,359	20,147	20,150	20,333	20,339	20,378	64,359
75,500	0,251	0,873	1,329	0,193	0,012	0,115	1,460	130,145	19,522	34,056	20,346	20,150	20,145	20,322	20,340	20,376	64,365
75,834	0,229	0,872	1,329	0,194	0,011	0,136	1,459	130,122	19,547	34,130	20,349	20,146	20,164	20,339	20,348	20,385	64,384
76,167	0,217	0,844	1,333	0,191	0,014	0,132	1,459	130,152	19,428	34,153	20,334	20,138	20,153	20,316	20,336	20,376	64,384
76,500	0,214	0,855	1,327	0,192	0,019	0,136	1,457	130,133	19,512	34,263	20,332	20,125	20,152	20,315	20,345	20,372	64,395
76,834	0,215	0,856	1,327	0,190	0,014	0,140	1,456	130,153	19,449	34,200	20,331	20,131	20,154	20,323	20,344	20,374	64,394
77,167	0,213	0,847	1,330	0,193	0,016	0,141	1,455	130,152	19,476	33,933	20,338	20,130	20,172	20,327	20,359	20,382	64,408
77,500	0,214	0,839	1,325	0,194	0,014	0,147	1,454	130,187	19,542	34,033	20,345	20,147	20,172	20,343	20,375	20,391	64,405
77,833	0,216	0,853	1,327	0,191	0,013	0,124	1,452	130,241	19,553	34,327	20,350	20,141	20,169	20,326	20,361	20,382	64,407
78,167	0,320	0,886	1,329	0,191	0,014	0,106	1,451	130,287	19,565	34,409	20,348	20,130	20,161	20,327	20,363	20,382	64,399
78,500	0,260	0,883	1,330	0,191	0,019	0,119	1,450	130,287	19,555	34,396	20,340	20,128	20,154	20,325	20,363	20,381	64,394
78,833	0,217	0,867	1,324	0,192	0,020	0,118	1,449	130,300	19,535	34,223	20,345	20,140	20,181	20,337	20,385	20,393	64,411
79,167	0,231	0,877	1,333	0,189	0,021	0,108	1,448	130,354	19,564	34,367	20,352	20,135	20,176	20,330	20,375	20,390	64,439
79,500	0,237	0,892	1,329	0,193	0,020	0,117	1,447	130,323	19,555	34,290	20,344	20,132	20,160	20,322	20,368	20,381	64,426
79,833	0,214	0,851	1,326	0,193	0,017	0,149	1,446	130,274	19,574	33,982	20,337	20,138	20,154	20,330	20,373	20,384	64,476
80,167	0,214	0,822	1,325	0,194	0,019	0,165	1,445	130,201	19,533	34,299	20,340	20,110	20,147	20,309	20,363	20,374	64,496
80,500	0,215	0,816	1,324	0,192	0,021	0,158	1,443	130,196	19,507	34,207	20,336	20,105	20,158	20,312	20,365	20,376	64,509
80,833	0,217	0,856	1,330	0,191	0,020	0,132	1,443	130,194	19,491	34,416	20,347	20,128	20,173	20,328	20,382	20,388	64,512
81,167	0,218	0,864	1,333	0,190	0,018	0,123	1,441	130,247	19,529	34,105	20,334	20,120	20,149	20,316	20,372	20,376	64,534
81,500	0,215	0,850	1,329	0,192	0,018	0,145	1,440	130,213	19,564	34,078	20,338	20,102	20,155	20,304	20,381	20,371	64,561
81,834	0,216	0,831	1,336	0,193	0,018	0,155	1,440	130,201	19,586	34,002	20,342	20,104	20,159	20,306	20,372	20,374	64,535
82,167	0,216	0,844	1,326	0,192	0,013	0,147	1,439	130,217	19,574	34,223	20,346	20,109	20,163	20,319	20,372	20,378	64,509
82,500	0,215	0,843	1,331	0,190	0,010	0,143	1,438	130,207	19,516	34,219	20,352	20,127	20,180	20,324	20,388	20,392	64,500
82,834	0,214	0,835	1,332	0,191	0,018	0,152	1,436	130,195	19,563	34,294	20,354	20,130	20,186	20,334	20,407	20,396	64,510
83,167	0,215	0,839	1,323	0,191	0,017	0,140	1,435	130,213	19,565	34,264	20,360	20,120	20,181	20,314	20,394	20,386	64,521
83,500	0,219	0,858	1,333	0,192	0,013	0,145	1,434	130,179	19,577	33,950	20,344	20,124	20,173	20,320	20,387	20,381	64,504
83,834	0,216	0,822	1,328	0,189	0,014	0,167	1,433	130,159	19,523	34,064	20,340	20,108	20,169	20,315	20,392	20,379	64,500
84,167	0,215	0,822	1,328	0,191	0,016	0,155	1,432	130,151	19,584	34,382	20,351	20,120	20,177	20,327	20,397	20,390	64,453
84,500	0,214	0,840	1,331	0,191	0,017	0,131	1,432	130,151	19,630	34,321	20,341	20,112	20,179	20,324	20,392	20,386	64,440
84,833	0,214	0,870	1,329	0,192	0,018	0,137	1,430	130,159	19,630	34,245	20,336	20,107	20,162	20,304	20,380	20,374	64,422
85,167	0,215	0,839	1,330	0,190	0,016	0,148	1,430	130,183	19,619	34,143	20,341	20,120	20,167	20,326	20,401	20,386	64,438

Pellematic 56_cat IV_run 2_200121 underlag till rådata PDF.DAT

Category: IV

	1103	1108	1109	130	230	101	102	1	2	3	6	7	8	11	
Mättid	T3 inlet load side	T2 inlet boiler	T1 outlet boiler	Flow load side	Flow boiler side	Heat output load side	Heat output boiler	CO chimney	CO2 chimney	O2 chimney	Pstat	Pdyn	Tunnel velocity	Våg	Tidpunkt
Minuter	°C	°C	°C	m³/h	m³/h	W	W	ppm	%	%	Pa	Pa	m/s	kg	Klockan
73,167	43,189	53,940	73,496	2,274	2,459	55673,692	55150,669	42,882	16,659	3,962	7,687	53,330	9,428	993,759	2020-01-21 11:23
73,500	43,114	53,908	73,557	2,274	2,457	55799,152	55365,598	46,539	16,330	4,076	7,680	53,086	9,406	994,486	2020-01-21 11:23
73,833	42,989	53,865	73,572	2,276	2,462	56092,881	55632,931	50,035	16,144	4,124	7,637	53,165	9,413	996,568	2020-01-21 11:24
74,167	42,961	53,771	73,706	2,276	2,458	56043,501	56198,160	50,031	16,186	4,272	7,717	53,051	9,403	996,564	2020-01-21 11:24
74,500	42,998	53,745	73,551	2,276	2,457	55934,599	55800,913	56,809	16,610	3,984	7,743	53,192	9,416	996,351	2020-01-21 11:24
74,834	43,050	53,773	73,591	2,276	2,457	55775,071	55839,581	44,868	16,266	4,153	7,705	53,346	9,429	996,351	2020-01-21 11:25
75,167	43,078	53,791	73,608	2,275	2,457	55748,168	55831,156	53,135	16,041	4,109	7,585	53,588	9,451	996,257	2020-01-21 11:25
75,500	43,103	53,811	73,551	2,277	2,460	55743,212	55679,556	213,593	17,000	3,452	7,701	53,219	9,418	996,256	2020-01-21 11:25
75,834	43,120	53,827	73,538	2,275	2,454	55693,785	55470,762	70,944	16,614	4,070	7,754	53,138	9,411	996,162	2020-01-21 11:26
76,167	43,129	53,831	73,427	2,274	2,455	55642,121	55169,750	43,376	16,287	3,950	7,654	53,190	9,415	996,162	2020-01-21 11:26
76,500	43,143	53,849	73,471	2,276	2,459	55671,281	55323,472	37,816	16,101	4,075	7,677	53,229	9,419	996,067	2020-01-21 11:26
76,834	43,147	53,860	73,601	2,276	2,460	55661,590	55694,130	40,918	16,314	4,187	7,616	53,113	9,409	995,977	2020-01-21 11:27
77,167	43,151	53,871	73,564	2,275	2,459	55674,334	55517,273	35,642	16,326	4,238	7,724	53,132	9,410	995,850	2020-01-21 11:27
77,500	43,151	53,861	73,493	2,277	2,460	55712,637	55386,819	35,410	15,847	4,402	7,755	52,979	9,397	995,850	2020-01-21 11:27
77,833	43,144	53,872	73,530	2,276	2,458	55715,631	55415,941	47,811	16,408	3,724	7,629	53,168	9,413	995,755	2020-01-21 11:28
78,167	43,143	53,870	73,539	2,277	2,457	55717,497	55417,836	379,149	17,282	3,189	7,644	53,192	9,416	995,662	2020-01-21 11:28
78,500	43,141	53,857	73,588	2,277	2,457	55712,471	55586,783	133,015	17,101	3,555	7,653	53,081	9,406	995,569	2020-01-21 11:28
78,833	43,134	53,863	73,626	2,274	2,457	55709,647	55678,031	41,535	16,756	3,527	7,678	53,055	9,403	995,569	2020-01-21 11:29
79,167	43,132	53,861	73,702	2,275	2,457	55809,508	55901,833	99,654	16,860	3,229	7,578	53,700	9,460	995,476	2020-01-21 11:29
79,500	43,141	53,863	73,588	2,279	2,461	55830,283	55657,597	51,725	17,172	3,512	7,718	53,028	9,401	995,352	2020-01-21 11:29
79,833	43,165	53,893	73,626	2,274	2,462	55790,228	55700,329	39,784	16,092	4,458	7,726	52,786	9,380	995,353	2020-01-21 11:30
80,167	43,201	53,916	73,570	2,275	2,457	55775,579	55374,817	35,891	15,412	4,951	7,741	53,123	9,409	995,258	2020-01-21 11:30
80,500	43,262	53,939	73,589	2,276	2,460	55665,005	55432,508	40,247	15,291	4,730	7,676	52,903	9,390	995,164	2020-01-21 11:30
80,833	43,333	53,971	73,725	2,278	2,458	55528,882	55682,831	52,211	16,680	3,966	7,652	53,282	9,424	995,165	2020-01-21 11:31
81,167	43,373	54,004	73,624	2,278	2,459	55482,912	55317,592	48,206	16,897	3,676	7,618	53,423	9,436	995,071	2020-01-21 11:31
81,500	43,305	54,038	73,642	2,276	2,457	55677,764	55227,816	40,909	15,957	4,346	7,687	52,930	9,392	994,978	2020-01-21 11:31
81,834	43,236	54,004	73,662	2,274	2,457	55759,625	55380,420	42,103	15,478	4,653	7,725	53,312	9,426	994,978	2020-01-21 11:32
82,167	43,236	53,969	73,559	2,277	2,457	55760,720	55186,722	44,528	16,141	4,412	7,694	52,891	9,389	994,853	2020-01-21 11:32
82,500	43,262	53,957	73,584	2,274	2,457	55596,131	55295,688	41,178	16,236	4,298	7,585	53,227	9,419	994,852	2020-01-21 11:32
82,834	43,262	53,966	73,715	2,274	2,457	55619,535	55641,313	36,199	15,727	4,552	7,630	53,172	9,414	994,758	2020-01-21 11:33
83,167	43,226	53,969	73,740	2,274	2,460	55750,140	55766,785	42,829	15,962	4,201	7,629	52,979	9,397	994,664	2020-01-21 11:33
83,500	43,193	53,948	73,585	2,277	2,457	55861,603	55323,523	58,789	16,375	4,350	7,672	53,491	9,442	994,570	2020-01-21 11:33
83,834	43,130	53,932	73,638	2,276	2,459	55982,998	55556,076	38,661	15,422	5,007	7,546	53,049	9,403	994,570	2020-01-21 11:34
84,167	43,127	53,891	73,648	2,278	2,457	55918,670	55658,009	40,533	15,670	4,656	7,643	53,333	9,428	994,478	2020-01-21 11:34
84,500	43,172	53,877	73,615	2,276	2,457	55713,084	55606,326	38,091	16,105	3,944	7,640	53,258	9,421	994,477	2020-01-21 11:34
84,833	43,211	53,885	73,506	2,281	2,460	55694,086	55336,602	39,310	16,548	4,116	7,687	53,157	9,412	994,352	2020-01-21 11:35
85,167	43,226	53,915	73,635	2,277	2,461	55607,751	55649,769	41,347	15,968	4,452	7,613	53,152	9,412	994,352	2020-01-21 11:35

Pellematic 56_cat IV_run 2_200121 underlag till rådata PDF.DAT

Category: IV

	301	302	304	305	306	308	317	1311	1312	1313	1314	1315	1316	1317	1318	1101	1102
Mättid	CO chimney	CO2 chimney	Pdyn	Pstat	Static pressure chimney	O2 chimney	Våg	Flue gas temp	Ambient	Flue gas at pitot	filter temp 1	filter temp 2	gas meter temp 1	gas meter temp 2	gasmeter temp ambient		T4 outlet load side
Minuter	VDC	VDC	VDC	VDC	VDC	VDC	VDC	°C	°C	°C	°C	°C	°C	°C	°C	°C	°C
85,500	0,214	0,834	1,330	0,193	0,018	0,150	1,428	130,109	19,629	34,365	20,347	20,122	20,177	20,318	20,405	20,386	64,429
85,833	0,214	0,831	1,323	0,191	0,013	0,156	1,427	130,081	19,566	34,199	20,334	20,105	20,169	20,309	20,393	20,374	64,412
86,167	0,215	0,842	1,325	0,191	0,018	0,148	1,426	130,106	19,559	34,102	20,341	20,107	20,165	20,309	20,398	20,374	64,380
86,500	0,214	0,846	1,324	0,190	0,019	0,131	1,424	130,128	19,589	34,201	20,339	20,105	20,175	20,308	20,396	20,380	64,368
86,833	0,217	0,867	1,328	0,191	0,017	0,124	1,424	130,140	19,632	34,107	20,351	20,120	20,175	20,325	20,407	20,383	64,358
87,167	0,217	0,861	1,330	0,191	0,016	0,133	1,423	130,129	19,617	34,122	20,353	20,124	20,183	20,323	20,401	20,386	64,345
87,500	0,218	0,864	1,328	0,191	0,018	0,132	1,421	130,119	19,623	34,341	20,341	20,117	20,168	20,307	20,400	20,377	64,353
87,833	0,215	0,838	1,326	0,191	0,023	0,154	1,420	130,084	19,640	34,319	20,340	20,118	20,163	20,297	20,390	20,376	64,355
88,167	0,213	0,834	1,323	0,195	0,018	0,142	1,419	130,071	19,621	34,352	20,351	20,114	20,171	20,310	20,406	20,378	64,349
88,500	0,213	0,859	1,329	0,192	0,011	0,133	1,418	130,047	19,608	34,202	20,350	20,109	20,167	20,308	20,406	20,380	64,329
88,834	0,212	0,858	1,326	0,192	0,020	0,140	1,417	129,968	19,679	33,911	20,361	20,115	20,179	20,318	20,409	20,383	64,327
89,167	0,211	0,836	1,322	0,190	0,011	0,146	1,416	129,895	19,688	33,972	20,345	20,110	20,155	20,296	20,397	20,370	64,340
89,500	0,213	0,846	1,321	0,190	0,010	0,143	1,416	129,916	19,706	33,899	20,363	20,121	20,182	20,308	20,399	20,381	64,332
89,834	0,215	0,847	1,319	0,192	0,014	0,141	1,414	129,928	19,692	33,804	20,355	20,109	20,161	20,302	20,402	20,377	64,341
90,167	0,216	0,850	1,326	0,193	0,014	0,148	1,413	129,910	19,664	33,766	20,358	20,119	20,165	20,307	20,407	20,378	64,335
90,500	0,216	0,829	1,336	0,189	0,016	0,148	1,411	129,895	19,691	34,216	20,356	20,117	20,176	20,327	20,414	20,384	64,318
90,834	0,216	0,844	1,326	0,191	0,016	0,139	1,411	129,890	19,591	34,339	20,354	20,122	20,179	20,310	20,418	20,378	64,302
91,167	0,215	0,858	1,329	0,190	0,019	0,143	1,409	129,886	19,664	34,221	20,355	20,114	20,171	20,315	20,410	20,380	64,290
91,500	0,215	0,844	1,334	0,193	0,012	0,144	1,410	129,891	19,696	34,081	20,339	20,110	20,172	20,309	20,410	20,376	64,298
91,833	0,216	0,848	1,322	0,192	0,014	0,126	1,408	129,962	19,748	34,206	20,368	20,134	20,185	20,325	20,428	20,398	64,300
92,167	0,215	0,863	1,328	0,192	0,017	0,139	1,406	129,930	19,715	33,985	20,368	20,111	20,181	20,302	20,414	20,379	64,288
92,500	0,215	0,839	1,338	0,193	0,012	0,154	1,405	129,895	19,694	33,995	20,365	20,122	20,170	20,316	20,427	20,382	64,287
92,833	0,217	0,830	1,329	0,192	0,015	0,155	1,403	129,911	19,720	33,961	20,370	20,129	20,173	20,307	20,427	20,378	64,321
93,167	0,219	0,847	1,334	0,193	0,016	0,130	1,403	129,899	19,747	33,942	20,374	20,132	20,185	20,309	20,416	20,383	64,318
93,500	0,218	0,846	1,331	0,192	0,015	0,149	1,403	129,976	19,759	34,215	20,381	20,140	20,179	20,317	20,424	20,390	64,306
93,833	0,217	0,847	1,328	0,191	0,020	0,144	1,401	129,969	19,719	34,247	20,375	20,138	20,202	20,315	20,433	20,392	64,310
94,167	0,214	0,831	1,329	0,190	0,014	0,159	1,400	129,976	19,756	33,968	20,386	20,136	20,198	20,329	20,443	20,395	64,286
94,500	0,216	0,839	1,326	0,192	0,015	0,132	1,400	130,015	19,738	34,340	20,384	20,140	20,192	20,319	20,425	20,392	64,271
94,833	0,216	0,861	1,336	0,192	0,017	0,133	1,398	130,045	19,736	33,977	20,370	20,122	20,187	20,315	20,425	20,382	64,226
95,167	0,220	0,864	1,336	0,191	0,019	0,128	1,396	130,065	19,757	33,937	20,390	20,150	20,190	20,317	20,432	20,394	64,179
95,500	0,217	0,864	1,327	0,192	0,019	0,123	1,395	130,126	19,738	34,191	20,374	20,130	20,185	20,300	20,429	20,384	64,140
95,834	0,221	0,875	1,330	0,190	0,016	0,105	1,394	130,143	19,665	34,448	20,366	20,119	20,178	20,310	20,429	20,378	64,132
96,167	0,229	0,886	1,326	0,191	0,017	0,121	1,393	130,157	19,728	34,311	20,373	20,116	20,180	20,306	20,423	20,379	64,183
96,500	0,215	0,861	1,326	0,192	0,014	0,133	1,392	130,199	19,698	34,357	20,380	20,134	20,191	20,315	20,435	20,396	64,196
96,834	0,214	0,848	1,323	0,191	0,017	0,146	1,391	130,145	19,678	34,144	20,366	20,118	20,176	20,303	20,422	20,382	64,196
97,167	0,213	0,823	1,326	0,193	0,020	0,169	1,390	130,103	19,756	34,061	20,382	20,119	20,192	20,319	20,426	20,392	64,183
97,500	0,215	0,807	1,327	0,191	0,016	0,183	1,389	130,056	19,742	34,200	20,376	20,137	20,183	20,319	20,436	20,392	64,140

Pellematic 56_cat IV_run 2_200121 underlag till rådata PDF.DAT

Category: IV

	1103	1108	1109	130	230	101	102	1	2	3	6	7	8	11	
Mättid	T3 inlet load side	T2 inlet boiler	T1 outlet boiler	Flow load side	Flow boiler side	Heat output load side	Heat output boiler	CO chimney	CO2 chimney	O2 chimney	Pstat	Pdyn	Tunnel velocity	Våg	Tidpunkt
Minuter	°C	°C	°C	m³/h	m³/h	W	W	ppm	%	%	Pa	Pa	m/s	kg	Klockan
85,500	43,244	53,911	73,587	2,278	2,459	55562,876	55474,857	37,422	15,668	4,509	7,712	53,071	9,405	994,258	2020-01-21 11:35
85,833	43,226	53,905	73,506	2,277	2,457	55529,898	55226,797	39,560	15,485	4,675	7,658	52,852	9,385	994,165	2020-01-21 11:36
86,167	43,188	53,901	73,404	2,281	2,457	55651,009	54940,192	41,716	16,062	4,447	7,647	52,999	9,398	994,070	2020-01-21 11:36
86,500	43,152	53,870	73,438	2,274	2,462	55548,475	55241,127	36,886	16,310	3,920	7,617	52,897	9,389	993,978	2020-01-21 11:36
86,833	43,144	53,856	73,442	2,279	2,459	55646,797	55221,399	43,344	16,575	3,722	7,646	53,197	9,416	993,978	2020-01-21 11:37
87,167	43,162	53,826	73,426	2,275	2,455	55471,646	55177,051	42,085	16,343	4,000	7,644	53,036	9,402	993,852	2020-01-21 11:37
87,500	43,167	53,850	73,485	2,275	2,455	55482,939	55278,482	59,723	16,797	3,955	7,652	53,020	9,400	993,758	2020-01-21 11:37
87,833	43,142	53,848	73,481	2,276	2,455	55570,497	55257,204	41,661	15,800	4,633	7,629	53,265	9,422	993,758	2020-01-21 11:38
88,167	43,135	53,834	73,415	2,277	2,458	55607,127	55182,129	33,455	15,937	4,251	7,792	52,731	9,375	993,664	2020-01-21 11:38
88,500	43,145	53,832	73,433	2,280	2,459	55600,912	55262,642	39,932	16,522	3,993	7,699	53,432	9,437	993,664	2020-01-21 11:38
88,834	43,149	53,823	73,477	2,279	2,462	55547,453	55487,009	34,961	16,515	4,188	7,663	53,077	9,405	993,571	2020-01-21 11:39
89,167	43,164	53,839	73,431	2,280	2,457	55573,908	55196,798	33,193	15,865	4,377	7,606	52,686	9,371	993,479	2020-01-21 11:39
89,500	43,189	53,836	73,373	2,277	2,457	55429,605	55043,958	34,512	16,031	4,283	7,581	52,972	9,396	993,478	2020-01-21 11:39
89,834	43,194	53,848	73,450	2,276	2,460	55394,834	55298,035	45,323	16,198	4,224	7,674	52,708	9,373	993,350	2020-01-21 11:40
90,167	43,187	53,857	73,406	2,279	2,457	55486,827	55078,690	44,110	16,239	4,439	7,722	53,155	9,412	993,255	2020-01-21 11:40
90,500	43,182	53,836	73,467	2,278	2,458	55431,219	55331,003	38,808	15,744	4,434	7,576	53,505	9,443	993,256	2020-01-21 11:40
90,834	43,150	53,834	73,434	2,281	2,459	55538,524	55272,158	41,499	15,970	4,165	7,639	53,098	9,407	993,161	2020-01-21 11:41
91,167	43,149	53,810	73,318	2,277	2,459	55427,234	55000,914	39,996	16,374	4,280	7,609	52,891	9,389	993,068	2020-01-21 11:41
91,500	43,176	53,822	73,512	2,277	2,460	55358,052	55553,527	43,949	16,342	4,321	7,704	53,336	9,428	993,067	2020-01-21 11:41
91,833	43,168	53,840	73,396	2,277	2,457	55393,486	55102,899	43,040	16,482	3,789	7,685	52,836	9,384	992,975	2020-01-21 11:42
92,167	43,168	53,821	73,495	2,280	2,460	55429,183	55500,231	41,761	16,331	4,177	7,681	53,149	9,412	992,849	2020-01-21 11:42
92,500	43,177	53,827	73,364	2,279	2,458	55373,619	55075,245	38,829	15,952	4,614	7,720	53,355	9,430	992,755	2020-01-21 11:42
92,833	43,171	53,844	73,361	2,279	2,462	55478,230	55099,075	51,433	15,797	4,639	7,688	53,184	9,415	992,661	2020-01-21 11:43
93,167	43,185	53,851	73,466	2,281	2,464	55485,439	55415,444	47,717	16,492	3,912	7,701	53,288	9,424	992,661	2020-01-21 11:43
93,500	43,213	53,844	73,388	2,279	2,460	55339,427	55131,923	45,373	15,884	4,471	7,698	53,180	9,415	992,661	2020-01-21 11:43
93,833	43,200	53,863	73,405	2,282	2,460	55442,834	55126,722	46,521	16,374	4,311	7,638	53,025	9,401	992,567	2020-01-21 11:44
94,167	43,188	53,835	73,334	2,280	2,459	55384,717	54987,922	36,868	15,767	4,773	7,615	53,025	9,401	992,476	2020-01-21 11:44
94,500	43,056	53,834	73,436	2,278	2,459	55639,629	55280,494	42,191	16,213	3,952	7,672	52,974	9,396	992,476	2020-01-21 11:44
94,833	42,832	53,757	73,438	2,276	2,458	56048,911	55471,395	43,383	16,345	3,986	7,670	53,535	9,446	992,349	2020-01-21 11:45
95,167	42,664	53,632	73,440	2,277	2,459	56408,939	55854,453	62,851	16,723	3,845	7,627	53,512	9,444	992,255	2020-01-21 11:45
95,500	42,638	53,543	73,378	2,280	2,459	56436,849	55928,152	41,909	16,752	3,692	7,683	53,183	9,415	992,161	2020-01-21 11:45
95,834	42,773	53,520	73,321	2,277	2,460	56005,661	55867,036	49,191	17,044	3,150	7,584	53,052	9,403	992,067	2020-01-21 11:46
96,167	42,758	53,582	73,463	2,278	2,460	56191,493	56097,981	56,546	16,898	3,619	7,626	52,947	9,394	992,068	2020-01-21 11:46
96,500	42,710	53,594	73,557	2,278	2,462	56363,386	56368,001	42,744	16,552	4,001	7,677	53,059	9,404	991,976	2020-01-21 11:46
96,834	42,617	53,567	73,479	2,277	2,461	56570,822	56207,876	37,728	16,087	4,368	7,631	53,104	9,408	991,885	2020-01-21 11:47
97,167	42,491	53,531	73,532	2,278	2,462	56901,116	56472,276	36,614	15,152	5,081	7,703	53,020	9,400	991,850	2020-01-21 11:47
97,500	42,311	53,463	73,450	2,279	2,460	57282,108	56394,010	38,308	14,925	5,479	7,623	53,167	9,413	991,755	2020-01-21 11:47

Pellematic 56_cat IV_run 2_200121 underlag till rådata PDF.DAT

Category: IV

	301	302	304	305	306	308	317	1311	1312	1313	1314	1315	1316	1317	1318	1101	1102
Mättid	CO chimney	CO2 chimney	Pdyn	Pstat	Static pressure chimney	O2 chimney	Våg	Flue gas temp	Ambient	Flue gas at pitot	filter temp 1	filter temp 2	gas meter temp 1	gas meter temp 2	gasmeter temp ambient		T4 outlet load side
Minuter	VDC	VDC	VDC	VDC	VDC	VDC	VDC	°C	°C	°C	°C	°C	°C	°C	°C	°C	°C
97,833	0,213	0,817	1,325	0,192	0,012	0,154	1,388	130,065	19,697	34,274	20,359	20,114	20,184	20,314	20,433	20,383	64,063
98,167	0,215	0,842	1,325	0,193	0,022	0,144	1,387	130,080	19,669	34,301	20,362	20,117	20,179	20,312	20,429	20,379	63,960
98,500	0,218	0,845	1,332	0,193	0,013	0,133	1,387	130,124	19,695	34,176	20,368	20,118	20,186	20,307	20,424	20,382	63,894
98,833	0,219	0,850	1,332	0,191	0,020	0,156	1,385	130,107	19,661	33,858	20,374	20,104	20,177	20,303	20,433	20,380	63,873
99,167	0,217	0,835	1,334	0,192	0,013	0,145	1,385	130,074	19,702	33,954	20,365	20,122	20,184	20,306	20,423	20,377	63,851
99,500	0,218	0,852	1,331	0,193	0,016	0,135	1,383	130,119	19,643	34,142	20,371	20,124	20,190	20,299	20,421	20,382	63,844
99,833	0,217	0,849	1,327	0,191	0,019	0,133	1,381	130,127	19,663	34,370	20,382	20,138	20,201	20,317	20,439	20,392	63,833
100,167	0,218	0,858	1,327	0,190	0,019	0,139	1,380	130,115	19,648	34,238	20,368	20,115	20,178	20,308	20,423	20,374	63,817
100,500	0,214	0,841	1,319	0,192	0,017	0,155	1,380	130,137	19,704	34,333	20,394	20,134	20,210	20,321	20,447	20,400	63,804
100,833	0,215	0,831	1,322	0,192	0,014	0,148	1,379	130,102	19,731	34,245	20,399	20,139	20,183	20,317	20,447	20,396	63,758
101,167	0,217	0,825	1,320	0,190	0,016	0,166	1,378	130,068	19,667	34,309	20,394	20,130	20,193	20,311	20,444	20,392	63,727
101,500	0,218	0,830	1,321	0,194	0,013	0,159	1,377	130,076	19,712	34,150	20,393	20,127	20,199	20,315	20,441	20,394	63,697
101,834	0,218	0,834	1,321	0,194	0,020	0,148	1,376	130,012	19,691	33,923	20,384	20,117	20,181	20,313	20,427	20,381	63,658
102,167	0,216	0,823	1,327	0,193	0,019	0,161	1,376	129,983	19,673	34,205	20,364	20,105	20,167	20,287	20,423	20,374	63,646
102,500	0,215	0,815	1,328	0,193	0,018	0,180	1,374	129,883	19,717	34,187	20,386	20,126	20,187	20,319	20,431	20,394	63,599
102,834	0,218	0,801	1,329	0,192	0,013	0,175	1,372	129,850	19,674	34,227	20,387	20,130	20,194	20,311	20,438	20,392	63,554
103,167	0,215	0,821	1,321	0,190	0,014	0,163	1,372	129,812	19,720	34,035	20,376	20,117	20,186	20,295	20,425	20,383	63,501
103,500	0,218	0,825	1,331	0,192	0,019	0,152	1,371	129,799	19,715	33,943	20,378	20,120	20,178	20,303	20,419	20,379	63,464
103,834	0,216	0,832	1,328	0,190	0,014	0,155	1,371	129,820	19,719	33,960	20,376	20,127	20,185	20,302	20,435	20,382	63,466
104,167	0,217	0,850	1,334	0,192	0,014	0,132	1,369	129,864	19,709	33,931	20,363	20,110	20,169	20,301	20,423	20,376	63,475
104,500	0,219	0,867	1,335	0,192	0,015	0,120	1,368	129,894	19,755	34,173	20,383	20,130	20,183	20,317	20,429	20,388	63,493
104,833	0,221	0,866	1,329	0,193	0,013	0,120	1,367	129,925	19,763	34,139	20,386	20,121	20,189	20,317	20,437	20,392	63,488
105,167	0,220	0,870	1,327	0,191	0,016	0,134	1,366	129,887	19,710	34,278	20,384	20,112	20,178	20,302	20,429	20,380	63,462
105,500	0,216	0,846	1,325	0,189	0,019	0,155	1,364	129,819	19,596	34,315	20,384	20,127	20,188	20,313	20,436	20,388	63,465
105,833	0,213	0,836	1,324	0,192	0,013	0,139	1,363	129,789	19,678	34,333	20,389	20,131	20,179	20,314	20,423	20,386	63,484
106,167	0,213	0,848	1,318	0,189	0,019	0,145	1,362	129,745	19,711	34,258	20,382	20,128	20,188	20,313	20,435	20,385	63,508
106,500	0,214	0,834	1,326	0,190	0,010	0,154	1,361	129,724	19,723	34,183	20,392	20,139	20,183	20,305	20,435	20,388	63,511
106,833	0,214	0,838	1,331	0,188	0,010	0,144	1,360	129,761	19,723	34,169	20,393	20,137	20,196	20,307	20,423	20,388	63,529
107,167	0,213	0,856	1,331	0,190	0,017	0,133	1,359	129,797	19,697	34,351	20,384	20,147	20,182	20,313	20,428	20,384	63,556
107,500	0,216	0,852	1,338	0,192	0,013	0,134	1,358	129,798	19,718	34,117	20,384	20,135	20,175	20,306	20,423	20,384	63,562
107,833	0,219	0,852	1,333	0,192	0,018	0,147	1,356	129,775	19,723	34,220	20,387	20,139	20,182	20,309	20,435	20,384	63,584
108,167	0,217	0,844	1,327	0,190	0,020	0,143	1,355	129,751	19,720	34,224	20,393	20,140	20,192	20,305	20,439	20,392	63,676
108,500	0,216	0,840	1,321	0,193	0,014	0,151	1,354	129,736	19,759	34,281	20,383	20,128	20,180	20,303	20,423	20,380	63,740
108,834	0,217	0,829	1,326	0,192	0,014	0,149	1,353	129,714	19,708	34,189	20,383	20,116	20,190	20,304	20,419	20,378	63,758
109,167	0,216	0,838	1,325	0,192	0,018	0,160	1,352	129,708	19,642	34,204	20,380	20,113	20,179	20,297	20,428	20,381	63,734
109,500	0,217	0,834	1,330	0,191	0,013	0,137	1,352	129,744	19,673	34,327	20,387	20,120	20,188	20,305	20,423	20,382	63,725
109,834	0,217	0,862	1,329	0,190	0,013	0,133	1,350	129,793	19,693	34,260	20,389	20,117	20,187	20,301	20,433	20,382	63,778

Pellematic 56_cat IV_run 2_200121 underlag till rådata PDF.DAT

Category: IV

	1103	1108	1109	130	230	101	102	1	2	3	6	7	8	11	
Mättid	T3 inlet load side	T2 inlet boiler	T1 outlet boiler	Flow load side	Flow boiler side	Heat output load side	Heat output boiler	CO chimney	CO2 chimney	O2 chimney	Pstat	Pdyn	Tunnel velocity	Våg	Tidpunkt
Minuter	°C	°C	°C	m³/h	m³/h	W	W	ppm	%	%	Pa	Pa	m/s	kg	Klockan
97,833	42,148	53,344	73,152	2,275	2,460	57428,294	55891,763	37,809	15,888	4,627	7,669	53,183	9,415	991,755	2020-01-21 11:48
98,167	42,041	53,227	73,208	2,278	2,458	57511,354	56330,795	42,712	16,189	4,318	7,728	53,274	9,423	991,661	2020-01-21 11:48
98,500	42,052	53,131	73,264	2,277	2,460	57272,058	56815,757	49,712	16,171	3,988	7,714	53,257	9,421	991,662	2020-01-21 11:48
98,833	42,112	53,110	73,294	2,274	2,459	56993,368	56921,782	51,823	15,850	4,676	7,648	53,098	9,407	991,568	2020-01-21 11:49
99,167	42,176	53,124	73,209	2,277	2,460	56838,902	56680,382	48,801	16,143	4,357	7,682	53,240	9,420	991,568	2020-01-21 11:49
99,500	42,246	53,157	73,058	2,274	2,457	56558,571	56083,723	45,315	16,418	4,058	7,725	53,392	9,433	991,352	2020-01-21 11:49
99,833	42,321	53,182	72,964	2,278	2,458	56422,137	55774,828	43,268	16,137	4,000	7,639	53,066	9,404	991,323	2020-01-21 11:50
100,167	42,321	53,213	73,004	2,279	2,460	56422,592	55845,826	50,482	16,289	4,167	7,618	53,178	9,414	991,258	2020-01-21 11:50
100,500	42,241	53,203	73,067	2,274	2,460	56476,050	56051,042	37,138	15,926	4,642	7,677	52,703	9,372	991,257	2020-01-21 11:50
100,833	42,249	53,166	73,085	2,275	2,463	56358,395	56271,609	42,094	15,875	4,433	7,663	53,112	9,409	991,164	2020-01-21 11:51
101,167	42,324	53,154	72,927	2,275	2,462	56081,095	55837,095	51,201	15,272	4,994	7,616	52,961	9,395	991,071	2020-01-21 11:51
101,500	42,315	53,158	72,888	2,280	2,460	56133,528	55676,458	48,575	15,893	4,784	7,753	52,970	9,396	991,071	2020-01-21 11:51
101,834	42,365	53,152	72,857	2,278	2,460	55860,590	55605,921	49,600	16,264	4,436	7,764	52,774	9,378	990,977	2020-01-21 11:52
102,167	42,304	53,156	72,735	2,275	2,459	55896,775	55214,018	40,840	15,413	4,821	7,712	53,332	9,428	990,977	2020-01-21 11:52
102,500	42,205	53,119	72,730	2,277	2,457	56085,340	55260,831	39,645	15,065	5,399	7,725	53,234	9,419	990,852	2020-01-21 11:52
102,834	42,239	53,059	72,712	2,273	2,457	55795,070	55391,101	56,205	15,178	5,255	7,693	53,181	9,415	990,758	2020-01-21 11:53
103,167	42,276	53,041	72,573	2,277	2,460	55651,567	55117,051	41,236	15,659	4,881	7,581	52,805	9,381	990,757	2020-01-21 11:53
103,500	42,354	53,040	72,497	2,275	2,459	55289,620	54870,727	49,026	15,724	4,554	7,685	53,291	9,424	990,664	2020-01-21 11:53
103,834	42,489	53,075	72,548	2,277	2,463	54994,681	55006,136	41,731	15,644	4,664	7,586	53,046	9,403	990,663	2020-01-21 11:54
104,167	42,601	53,139	72,509	2,278	2,463	54758,724	54723,385	53,502	16,557	3,973	7,664	53,559	9,448	990,570	2020-01-21 11:54
104,500	42,613	53,210	72,509	2,274	2,459	54669,839	54425,241	47,471	16,872	3,601	7,685	53,454	9,439	990,478	2020-01-21 11:54
104,833	42,518	53,221	72,586	2,277	2,464	54975,517	54716,937	51,612	16,528	3,615	7,730	53,327	9,427	990,352	2020-01-21 11:55
105,167	42,517	53,165	72,604	2,274	2,460	54850,209	54855,291	58,656	16,583	4,023	7,642	53,017	9,400	990,353	2020-01-21 11:55
105,500	42,616	53,179	72,522	2,279	2,464	54717,179	54662,280	36,383	16,105	4,637	7,564	53,012	9,400	990,258	2020-01-21 11:55
105,833	42,673	53,219	72,565	2,277	2,465	54554,938	54696,674	31,781	16,292	4,155	7,699	53,009	9,399	990,165	2020-01-21 11:56
106,167	42,647	53,252	72,582	2,276	2,464	54673,946	54616,465	34,657	16,127	4,344	7,579	52,879	9,388	990,071	2020-01-21 11:56
106,500	42,708	53,248	72,435	2,279	2,461	54576,147	54155,863	38,734	15,835	4,630	7,595	53,119	9,409	990,071	2020-01-21 11:56
106,833	42,869	53,287	72,439	2,282	2,466	54265,916	54169,715	41,338	16,136	4,319	7,533	53,299	9,425	989,978	2020-01-21 11:57
107,167	42,770	53,349	72,480	2,281	2,462	54598,333	54013,544	36,714	16,539	3,988	7,617	53,274	9,423	989,853	2020-01-21 11:57
107,500	42,802	53,326	72,617	2,279	2,464	54456,511	54506,172	45,364	16,258	4,033	7,686	53,541	9,446	989,853	2020-01-21 11:57
107,833	43,019	53,339	72,571	2,278	2,464	53938,339	54336,307	55,002	16,171	4,411	7,698	53,484	9,441	989,758	2020-01-21 11:58
108,167	43,218	53,476	72,598	2,281	2,469	53722,204	54139,605	45,166	16,322	4,292	7,607	53,104	9,408	989,665	2020-01-21 11:58
108,500	43,169	53,589	72,661	2,282	2,465	54033,582	53918,991	43,178	16,003	4,527	7,703	52,800	9,381	989,571	2020-01-21 11:58
108,834	43,029	53,593	72,602	2,276	2,462	54322,011	53665,989	44,441	15,663	4,481	7,698	53,065	9,404	989,572	2020-01-21 11:59
109,167	42,984	53,547	72,599	2,281	2,467	54490,568	53899,393	44,869	15,759	4,800	7,660	53,126	9,410	989,479	2020-01-21 11:59
109,500	43,147	53,510	72,739	2,280	2,464	54008,624	54345,469	47,208	16,247	4,095	7,650	53,169	9,414	989,479	2020-01-21 11:59
109,834	43,278	53,594	72,656	2,281	2,468	53826,172	53949,479	43,512	16,496	3,981	7,612	53,092	9,407	989,349	2020-01-21 12:00

Pellematic 56_cat IV_run 2_200121 underlag till rådata PDF.DAT

Category: IV

	301	302	304	305	306	308	317	1311	1312	1313	1314	1315	1316	1317	1318	1101	1102
Mättid	CO chimney	CO2 chimney	Pdyn	Pstat	Static pressure chimney	O2 chimney	Våg	Flue gas temp	Ambient	Flue gas at pitot	filter temp 1	filter temp 2	gas meter temp 1	gas meter temp 2	gasmeter temp ambient		T4 outlet load side
Minuter	VDC	VDC	VDC	VDC	VDC	VDC	VDC	°C	°C	°C	°C	°C	°C	°C	°C	°C	°C
110,167	0,221	0,852	1,322	0,191	0,013	0,141	1,349	129,838	19,727	34,209	20,389	20,134	20,184	20,314	20,433	20,387	63,824
110,500	0,219	0,834	1,332	0,190	0,018	0,148	1,347	129,850	19,686	34,204	20,381	20,120	20,179	20,309	20,433	20,382	63,858
110,834	0,225	0,862	1,317	0,192	0,014	0,133	1,347	129,858	19,689	34,364	20,407	20,136	20,200	20,330	20,449	20,400	63,862
111,167	0,220	0,837	1,325	0,193	0,012	0,152	1,345	129,843	19,712	34,250	20,386	20,118	20,193	20,322	20,420	20,386	63,885
111,500	0,219	0,823	1,332	0,190	0,014	0,161	1,344	129,853	19,700	34,329	20,378	20,109	20,183	20,307	20,428	20,385	63,879
111,833	0,238	0,854	1,328	0,192	0,013	0,117	1,344	129,922	19,696	34,335	20,388	20,115	20,199	20,309	20,441	20,390	63,897
112,167	0,228	0,887	1,334	0,191	0,021	0,117	1,343	129,940	19,715	34,187	20,379	20,104	20,190	20,308	20,423	20,383	63,944
112,500	0,220	0,863	1,333	0,191	0,018	0,133	1,341	129,947	19,694	34,066	20,379	20,118	20,185	20,311	20,429	20,388	63,993
112,833	0,218	0,845	1,333	0,191	0,021	0,141	1,339	129,923	19,645	34,013	20,374	20,114	20,183	20,307	20,422	20,382	63,999
113,167	0,218	0,849	1,321	0,190	0,012	0,135	1,339	129,972	19,649	34,113	20,399	20,124	20,191	20,317	20,430	20,390	64,022
113,500	0,231	0,876	1,319	0,190	0,018	0,112	1,337	130,050	19,657	34,222	20,389	20,121	20,184	20,303	20,424	20,384	64,081
113,833	0,249	0,886	1,319	0,189	0,015	0,106	1,336	130,087	19,682	34,461	20,407	20,136	20,197	20,314	20,427	20,391	64,130
114,167	0,218	0,877	1,322	0,192	0,015	0,118	1,336	130,093	19,733	34,488	20,436	20,165	20,205	20,331	20,434	20,406	64,136
114,500	0,215	0,862	1,318	0,193	0,016	0,142	1,334	130,085	19,740	34,176	20,433	20,142	20,189	20,314	20,419	20,388	64,185
114,833	0,214	0,843	1,315	0,190	0,019	0,140	1,333	130,103	19,737	34,113	20,439	20,162	20,186	20,313	20,416	20,388	64,244
115,167	0,220	0,862	1,329	0,191	0,014	0,126	1,331	130,070	19,702	33,944	20,433	20,158	20,177	20,303	20,416	20,384	64,286
115,500	0,218	0,849	1,326	0,192	0,020	0,144	1,331	130,054	19,685	34,271	20,429	20,174	20,177	20,306	20,409	20,380	64,332
115,834	0,221	0,850	1,320	0,190	0,017	0,135	1,330	130,095	19,698	34,470	20,432	20,183	20,184	20,304	20,418	20,384	64,372
116,167	0,220	0,863	1,324	0,192	0,017	0,124	1,328	130,147	19,741	34,245	20,443	20,196	20,186	20,315	20,419	20,388	64,460
116,500	0,223	0,872	1,312	0,192	0,015	0,129	1,328	130,154	19,722	34,171	20,437	20,196	20,191	20,302	20,418	20,386	64,541
116,834	0,216	0,853	1,314	0,192	0,020	0,129	1,327	130,189	19,723	34,220	20,442	20,211	20,189	20,309	20,421	20,386	64,589
117,167	0,217	0,869	1,314	0,190	0,021	0,125	1,325	130,246	19,725	34,358	20,436	20,201	20,184	20,299	20,407	20,382	64,607
117,500	0,258	0,884	1,320	0,190	0,017	0,107	1,323	130,364	19,729	34,338	20,444	20,211	20,183	20,314	20,410	20,388	64,632
117,834	0,220	0,876	1,319	0,192	0,017	0,112	1,322	130,374	19,678	34,229	20,442	20,211	20,185	20,306	20,410	20,385	64,702
118,167	0,226	0,873	1,320	0,190	0,016	0,125	1,321	130,382	19,685	33,946	20,448	20,214	20,177	20,307	20,404	20,384	64,777
118,500	0,221	0,862	1,312	0,194	0,015	0,136	1,394	130,406	19,727	34,206	20,445	20,222	20,177	20,298	20,405	20,386	64,883
118,834	0,220	0,856	1,316	0,191	0,009	0,135	1,479	130,430	19,759	34,291	20,459	20,225	20,190	20,317	20,410	20,390	64,971
119,167	0,217	0,836	1,320	0,192	0,015	0,151	1,483	130,431	19,752	34,255	20,454	20,239	20,181	20,305	20,403	20,386	65,039
119,500	0,217	0,839	1,317	0,193	0,017	0,147	1,482	130,409	19,741	34,381	20,458	20,235	20,178	20,294	20,399	20,382	65,088
119,833	0,216	0,847	1,327	0,193	0,013	0,143	1,481	130,419	19,746	34,132	20,459	20,246	20,179	20,307	20,401	20,391	65,131
120,167	0,215	0,842	1,320	0,192	0,013	0,149	1,480	130,482	19,667	34,472	20,471	20,250	20,194	20,321	20,405	20,401	65,116
120,500	0,214	0,831	1,321	0,192	0,015	0,155	1,479	130,448	19,689	34,287	20,653	20,427	19,379	20,282	20,404	20,386	65,157
120,833	0,214	0,832	1,319	0,190	0,016	0,143	1,478	130,450	19,697	34,281	21,082	20,834	-58,218	20,275	20,428	20,390	65,215
121,167	0,220	0,868	1,321	0,193	0,018	0,130	1,476	130,467	19,687	34,262	21,248	21,011	-35,773	20,267	20,415	20,388	65,233
121,500	0,221	0,855	1,316	0,193	0,009	0,136	1,475	130,484	19,663	34,414	21,365	21,123	142,793	20,251	20,420	20,392	65,151
121,833	0,224	0,847	1,310	0,194	0,013	0,135	1,475	130,536	19,675	34,438	21,499	21,294	96,786	20,255	20,432	20,398	65,066
122,167	0,222	0,859	1,312	0,196	0,015	0,133	1,473	130,521	19,582	34,278	21,578	21,430	69,147	20,233	20,425	20,388	65,020

Pellematic 56_cat IV_run 2_200121 underlag till rådata PDF.DAT

Category: IV

	1103	1108	1109	130	230	101	102	1	2	3	6	7	8	11	
Mättid	T3 inlet load side	T2 inlet boiler	T1 outlet boiler	Flow load side	Flow boiler side	Heat output load side	Heat output boiler	CO chimney	CO2 chimney	O2 chimney	Pstat	Pdyn	Tunnel velocity	Våg	Tidpunkt
Minuter	°C	°C	°C	m³/h	m³/h	W	W	ppm	%	%	Pa	Pa	m/s	kg	Klockan
110,167	43,268	53,682	72,731	2,282	2,465	53983,535	53855,203	58,325	16,221	4,238	7,640	52,916	9,391	989,255	2020-01-21 12:00
110,500	43,186	53,685	72,717	2,277	2,462	54184,044	53730,909	54,055	15,747	4,453	7,585	53,139	9,411	989,161	2020-01-21 12:00
110,834	43,185	53,665	72,722	2,278	2,464	54227,570	53833,234	72,006	16,816	3,981	7,689	52,689	9,371	989,160	2020-01-21 12:01
111,167	43,112	53,661	72,753	2,279	2,462	54491,399	53899,857	49,490	15,901	4,561	7,731	53,036	9,402	989,067	2020-01-21 12:01
111,500	43,050	53,633	72,884	2,279	2,462	54633,810	54355,106	51,590	15,357	4,838	7,611	53,143	9,411	988,974	2020-01-21 12:01
111,833	43,150	53,613	72,991	2,274	2,459	54314,469	54634,954	145,573	16,840	3,498	7,670	53,064	9,404	988,974	2020-01-21 12:02
112,167	43,199	53,672	72,916	2,278	2,461	54407,493	54318,526	77,743	17,172	3,497	7,630	53,400	9,434	988,848	2020-01-21 12:02
112,500	43,184	53,712	72,842	2,277	2,463	54547,289	54025,459	49,332	16,570	3,983	7,652	53,157	9,413	988,754	2020-01-21 12:02
112,833	43,237	53,717	72,987	2,277	2,459	54419,836	54326,835	43,009	16,057	4,227	7,657	53,338	9,429	988,660	2020-01-21 12:03
113,167	43,358	53,755	73,078	2,277	2,459	54164,189	54493,531	50,984	16,194	4,053	7,593	52,951	9,394	988,661	2020-01-21 12:03
113,500	43,332	53,816	72,956	2,277	2,458	54383,798	53950,987	105,155	17,236	3,364	7,593	52,704	9,372	988,567	2020-01-21 12:03
113,833	43,261	53,838	73,109	2,274	2,460	54631,026	54358,593	110,774	17,326	3,181	7,570	52,753	9,377	988,474	2020-01-21 12:04
114,167	43,297	53,820	73,031	2,277	2,459	54620,006	54160,875	50,400	16,770	3,553	7,673	52,895	9,389	988,474	2020-01-21 12:04
114,500	43,314	53,850	73,331	2,276	2,459	54668,946	54918,865	37,574	16,315	4,264	7,738	53,007	9,399	988,348	2020-01-21 12:04
114,833	43,355	53,885	73,340	2,275	2,460	54712,698	54886,010	43,133	16,268	4,194	7,614	52,706	9,372	988,255	2020-01-21 12:05
115,167	43,394	53,929	73,265	2,278	2,462	54776,418	54586,817	53,662	16,740	3,770	7,657	53,220	9,418	988,161	2020-01-21 12:05
115,500	43,420	53,970	73,359	2,276	2,462	54791,876	54733,193	46,530	16,001	4,307	7,682	53,007	9,399	988,160	2020-01-21 12:05
115,834	43,663	54,011	73,359	2,277	2,463	54274,401	54644,273	57,601	16,346	4,061	7,590	52,806	9,381	988,067	2020-01-21 12:06
116,167	43,866	54,146	73,432	2,279	2,462	54002,091	54434,218	51,840	16,735	3,717	7,665	52,942	9,393	987,975	2020-01-21 12:06
116,500	43,939	54,266	73,541	2,275	2,460	53941,925	54359,737	45,706	16,746	3,859	7,689	52,559	9,359	987,974	2020-01-21 12:06
116,834	43,916	54,352	73,495	2,277	2,464	54173,082	54070,401	39,736	16,251	3,875	7,673	52,580	9,361	987,848	2020-01-21 12:07
117,167	43,926	54,351	73,461	2,280	2,464	54267,784	53971,546	48,721	16,658	3,748	7,608	52,541	9,358	987,844	2020-01-21 12:07
117,500	43,986	54,360	73,514	2,278	2,458	54122,933	53982,231	228,789	17,456	3,215	7,614	52,699	9,372	987,660	2020-01-21 12:07
117,834	44,123	54,403	73,644	2,276	2,459	53887,619	54232,864	50,714	16,964	3,372	7,676	52,851	9,385	987,567	2020-01-21 12:08
118,167	44,362	54,522	73,714	2,280	2,465	53553,792	54232,378	55,355	16,602	3,735	7,586	52,726	9,374	987,518	2020-01-21 12:08
118,500	44,473	54,671	73,742	2,277	2,464	53470,989	53856,978	60,728	16,511	4,092	7,743	52,363	9,342	996,756	2020-01-21 12:08
118,834	44,516	54,769	73,817	2,277	2,460	53590,072	53714,642	51,586	16,614	4,044	7,653	52,844	9,385	997,758	2020-01-21 12:09
119,167	44,546	54,823	73,940	2,278	2,460	53716,929	53895,383	43,902	15,715	4,542	7,681	52,860	9,386	997,664	2020-01-21 12:09
119,500	44,483	54,860	73,989	2,279	2,462	54020,900	53982,159	44,937	15,869	4,415	7,725	52,849	9,385	997,571	2020-01-21 12:09
119,833	44,382	54,862	74,047	2,277	2,464	54364,671	54182,198	45,618	16,285	4,280	7,704	53,110	9,408	997,571	2020-01-21 12:10
120,167	44,455	54,821	74,112	2,278	2,462	54167,031	54442,434	39,176	16,026	4,466	7,667	52,798	9,381	997,479	2020-01-21 12:10
120,500	44,581	54,852	74,091	2,274	2,464	53844,179	54328,673	35,802	15,608	4,659	7,666	52,744	9,376	997,351	2020-01-21 12:10
120,833	44,557	54,941	74,060	2,278	2,462	54142,926	53953,474	36,798	15,763	4,294	7,586	52,724	9,374	997,351	2020-01-21 12:11
121,167	44,094	54,932	74,238	2,277	2,467	55390,385	54587,828	65,509	16,753	3,890	7,715	53,049	9,403	997,256	2020-01-21 12:11
121,500	43,689	54,731	74,130	2,275	2,460	56193,371	54707,824	50,151	16,449	4,089	7,717	52,747	9,376	997,163	2020-01-21 12:11
121,833	43,553	54,503	74,253	2,276	2,462	56350,462	55741,173	64,605	16,141	4,037	7,757	52,572	9,361	997,162	2020-01-21 12:12
122,167	43,514	54,391	74,142	2,277	2,461	56367,767	55730,427	57,852	16,317	3,991	7,854	52,501	9,354	997,068	2020-01-21 12:12

Pellematic 56_cat IV_run 2_200121 underlag till rådata PDF.DAT

Category: IV

	301	302	304	305	306	308	317	1311	1312	1313	1314	1315	1316	1317	1318	1101	1102
Mättid	CO chimney	CO2 chimney	Pdyn	Pstat	Static pressure chimney	O2 chimney	Våg	Flue gas temp	Ambient	Flue gas at pitot	filter temp 1	filter temp 2	gas meter temp 1	gas meter temp 2	gasmeter temp ambient		T4 outlet load side
Minuter	VDC	VDC	VDC	VDC	VDC	VDC	VDC	°C	°C	°C	°C	°C	°C	°C	°C	°C	°C
122,500	0,218	0,849	1,312	0,190	0,012	0,155	1,473	130,513	19,635	34,088	21,906	21,517	54,878	20,247	20,436	20,394	64,998
122,833	0,217	0,834	1,314	0,192	0,019	0,142	1,472	130,483	19,679	34,254	22,518	21,626	-35,670	20,238	20,431	20,395	65,002
123,167	0,217	0,842	1,313	0,192	0,017	0,145	1,470	130,510	19,740	34,277	22,725	21,720	39,963	20,226	20,434	20,392	65,038
123,500	0,218	0,843	1,318	0,193	0,015	0,139	1,469	130,560	19,720	34,483	22,916	21,803	44,768	20,232	20,446	20,394	65,059
123,834	0,224	0,870	1,319	0,192	0,019	0,125	1,467	130,616	19,710	34,265	23,064	21,872	18,547	20,228	20,452	20,392	65,097
124,167	0,216	0,854	1,317	0,193	0,011	0,143	1,467	130,627	19,708	34,248	23,164	21,952	70,824	20,222	20,459	20,390	65,096
124,500	0,214	0,833	1,313	0,194	0,020	0,158	1,466	130,600	19,668	34,186	23,274	22,024	68,904	20,226	20,477	20,397	65,122
124,834	0,216	0,821	1,313	0,192	0,019	0,143	1,465	130,655	19,675	34,453	23,402	22,138	34,121	20,240	20,496	20,404	65,186
125,167	0,217	0,876	1,310	0,189	0,018	0,120	1,464	130,732	19,704	34,468	23,471	22,208	85,345	20,247	20,518	20,410	65,213
125,500	0,218	0,874	1,324	0,191	0,015	0,112	1,463	130,781	19,635	34,473	23,522	22,272	18,872	20,241	20,516	20,399	65,229
125,834	0,230	0,877	1,316	0,191	0,019	0,119	1,461	130,747	19,607	34,388	23,611	22,332	38,912	20,248	20,547	20,399	65,213
126,167	0,221	0,863	1,321	0,189	0,022	0,134	1,460	130,765	19,643	34,591	23,682	22,382	-13,043	20,249	20,563	20,402	65,225
126,500	0,220	0,850	1,317	0,192	0,025	0,145	1,459	130,767	19,659	34,496	23,706	22,459	-9,556	20,258	20,584	20,406	65,227
126,833	0,220	0,847	1,319	0,192	0,019	0,142	1,458	130,737	19,645	34,388	23,770	22,529	16,842	20,264	20,616	20,404	65,239
127,167	0,221	0,845	1,322	0,191	0,018	0,131	1,457	130,738	19,662	34,639	23,818	22,598	33,642	20,262	20,624	20,399	65,252
127,500	0,218	0,854	1,318	0,190	0,017	0,138	1,455	130,759	19,663	34,693	23,865	22,656	18,381	20,256	20,640	20,392	65,240
127,833	0,216	0,846	1,323	0,191	0,014	0,159	1,455	130,719	19,637	34,513	23,893	22,729	74,795	20,275	20,689	20,402	65,290
128,167	0,215	0,821	1,320	0,193	0,015	0,159	1,454	130,713	19,669	34,081	23,904	22,777	51,220	20,285	20,708	20,402	65,341
128,500	0,214	0,832	1,328	0,194	0,014	0,148	1,453	130,695	19,661	33,833	23,927	22,823	41,631	20,293	20,735	20,400	65,392
128,833	0,216	0,842	1,322	0,192	0,017	0,139	1,451	130,752	19,695	34,240	23,993	22,902	58,960	20,301	20,776	20,410	65,382
129,167	0,218	0,859	1,323	0,192	0,018	0,135	1,451	130,775	19,669	34,173	24,005	22,952	39,508	20,312	20,816	20,409	65,363
129,500	0,218	0,859	1,325	0,193	0,021	0,120	1,449	130,802	19,670	34,395	24,049	23,021	-6,413	20,312	20,831	20,402	65,353
129,833	0,220	0,869	1,315	0,194	0,021	0,130	1,448	130,833	19,676	34,377	24,077	23,049	22,653	20,327	20,878	20,404	65,316
130,167	0,217	0,840	1,314	0,194	0,016	0,159	1,448	130,805	19,677	34,432	24,135	23,106	41,462	20,326	20,917	20,410	65,349
130,500	0,216	0,826	1,316	0,189	0,013	0,157	1,446	130,818	19,659	34,553	24,189	23,080	97,753	20,347	20,954	20,413	65,350
130,834	0,225	0,843	1,314	0,193	0,021	0,133	1,444	130,871	19,649	34,540	24,180	23,109	-17,978	20,333	20,992	20,402	65,347
131,167	0,220	0,865	1,319	0,191	0,020	0,118	1,444	130,876	19,662	34,225	24,208	23,138	19,360	20,347	21,016	20,402	65,357
131,500	0,224	0,871	1,317	0,191	0,021	0,127	1,443	130,870	19,685	34,488	24,268	23,180	-13,072	20,363	21,075	20,412	65,345
131,834	0,221	0,866	1,323	0,190	0,014	0,126	1,440	130,916	19,655	34,591	24,312	23,213	71,796	20,360	21,118	20,410	65,336
132,167	0,226	0,874	1,320	0,190	0,015	0,111	1,440	130,965	19,678	34,710	24,343	23,254	40,502	20,362	21,162	20,413	65,303
132,500	0,237	0,882	1,321	0,193	0,011	0,101	1,440	131,026	19,632	34,687	24,371	23,272	103,004	20,353	21,208	20,414	65,307
132,834	0,272	0,895	1,324	0,192	0,012	0,112	1,438	131,033	19,640	34,387	24,390	23,291	104,390	20,374	21,255	20,412	65,263
133,167	0,235	0,881	1,322	0,190	0,013	0,112	1,436	131,061	19,644	34,687	24,417	23,325	98,583	20,365	21,296	20,416	65,247
133,500	0,219	0,868	1,323	0,193	0,017	0,128	1,435	131,026	19,639	34,500	24,414	23,334	27,281	20,358	21,330	20,406	65,262
133,833	0,220	0,855	1,323	0,192	0,021	0,139	1,435	130,996	19,644	34,472	24,417	23,363	21,235	20,371	21,379	20,410	65,280
134,167	0,223	0,854	1,319	0,189	0,010	0,130	1,433	130,974	19,679	34,724	24,465	23,397	102,756	20,369	21,426	20,410	65,261
134,500	0,219	0,866	1,323	0,193	0,016	0,131	1,432	130,966	19,657	34,626	24,487	23,409	64,077	20,365	21,479	20,412	65,271

Pellematic 56_cat IV_run 2_200121 underlag till rådata PDF.DAT

Category: IV

	1103	1108	1109	130	230	101	102	1	2	3	6	7	8	11	
Mättid	T3 inlet load side	T2 inlet boiler	T1 outlet boiler	Flow load side	Flow boiler side	Heat output load side	Heat output boiler	CO chimney	CO2 chimney	O2 chimney	Pstat	Pdyn	Tunnel velocity	Våg	Tidpunkt
Minuter	°C	°C	°C	m³/h	m³/h	W	W	ppm	%	%	Pa	Pa	m/s	kg	Klockan
122,500	43,503	54,363	74,203	2,274	2,457	56266,683	55882,338	46,566	16,049	4,642	7,609	52,595	9,363	997,068	2020-01-21 12:12
122,833	43,537	54,338	74,211	2,274	2,459	56185,258	56026,949	46,806	16,236	4,250	7,664	52,435	9,348	996,977	2020-01-21 12:13
123,167	43,597	54,359	74,316	2,279	2,459	56230,331	56252,858	43,337	15,917	4,344	7,660	52,414	9,346	996,849	2020-01-21 12:13
123,500	43,628	54,393	74,251	2,278	2,458	56200,501	55967,824	49,865	15,971	4,172	7,713	52,900	9,390	996,756	2020-01-21 12:13
123,834	43,658	54,437	74,319	2,274	2,459	56123,725	56038,427	77,880	16,925	3,739	7,687	52,781	9,379	996,756	2020-01-21 12:14
124,167	43,811	54,452	74,255	2,273	2,457	55671,352	55781,362	39,643	16,216	4,304	7,704	52,660	9,368	996,662	2020-01-21 12:14
124,500	44,131	54,535	74,200	2,276	2,459	54970,122	55424,480	37,320	15,733	4,738	7,746	52,450	9,350	996,567	2020-01-21 12:14
124,834	44,293	54,699	74,165	2,279	2,463	54777,411	54959,171	46,452	15,556	4,298	7,662	52,485	9,353	996,568	2020-01-21 12:15
125,167	44,299	54,794	74,240	2,278	2,460	54810,372	54839,497	47,700	16,958	3,615	7,563	52,252	9,332	996,476	2020-01-21 12:15
125,500	44,250	54,814	74,256	2,275	2,463	54931,775	54890,191	44,549	17,060	3,361	7,643	53,144	9,411	996,349	2020-01-21 12:15
125,834	44,190	54,809	74,232	2,277	2,462	55082,345	54823,607	51,943	16,809	3,577	7,652	52,595	9,363	996,256	2020-01-21 12:16
126,167	44,167	54,774	74,149	2,274	2,464	55108,464	54712,400	56,356	16,360	4,032	7,578	52,829	9,383	996,256	2020-01-21 12:16
126,500	44,192	54,777	74,273	2,277	2,464	55112,943	55056,981	51,825	16,229	4,340	7,669	52,828	9,383	996,162	2020-01-21 12:16
126,833	44,205	54,777	74,271	2,276	2,466	55086,510	55091,301	56,007	16,391	4,254	7,674	52,951	9,394	996,162	2020-01-21 12:17
127,167	44,206	54,798	74,251	2,276	2,460	55132,202	54862,195	51,626	16,300	3,938	7,624	52,891	9,389	996,067	2020-01-21 12:17
127,500	44,294	54,788	74,280	2,276	2,460	54861,734	54959,770	42,922	16,079	4,154	7,616	52,785	9,379	995,939	2020-01-21 12:17
127,833	44,481	54,840	74,166	2,275	2,458	54463,143	54438,842	45,871	15,923	4,764	7,631	52,835	9,384	995,850	2020-01-21 12:18
128,167	44,570	54,945	74,478	2,280	2,462	54477,543	55122,857	39,786	15,665	4,760	7,723	52,964	9,395	995,849	2020-01-21 12:18
128,500	44,474	55,006	74,330	2,274	2,459	54733,152	54467,656	37,389	15,887	4,432	7,776	53,131	9,410	995,756	2020-01-21 12:18
128,833	44,530	54,994	74,201	2,277	2,462	54631,726	54188,894	42,244	16,062	4,162	7,677	52,778	9,379	995,662	2020-01-21 12:19
129,167	44,432	54,982	74,369	2,279	2,460	54878,739	54673,345	50,738	16,569	4,057	7,698	52,833	9,384	995,662	2020-01-21 12:19
129,500	44,262	54,947	74,158	2,281	2,462	55368,327	54210,768	45,959	16,790	3,594	7,712	53,000	9,399	995,567	2020-01-21 12:19
129,833	44,297	54,854	74,332	2,276	2,458	55041,586	54888,310	47,633	16,538	3,889	7,749	52,472	9,352	995,476	2020-01-21 12:20
130,167	44,266	54,874	74,450	2,273	2,460	55136,801	55205,025	43,521	15,679	4,766	7,779	52,618	9,365	995,476	2020-01-21 12:20
130,500	44,230	54,868	74,454	2,277	2,460	55340,096	55232,732	41,112	15,820	4,705	7,556	52,732	9,375	995,352	2020-01-21 12:20
130,834	44,215	54,849	74,425	2,276	2,462	55353,565	55241,329	63,156	16,371	3,996	7,709	52,574	9,361	995,258	2020-01-21 12:21
131,167	44,173	54,841	74,532	2,276	2,462	55494,424	55565,317	53,002	16,675	3,546	7,653	52,774	9,379	995,257	2020-01-21 12:21
131,500	44,017	54,820	74,428	2,274	2,458	55818,318	55239,738	60,179	16,508	3,813	7,644	52,785	9,379	995,164	2020-01-21 12:21
131,834	43,920	54,743	74,373	2,274	2,464	56051,447	55449,594	53,415	16,786	3,773	7,614	53,170	9,414	994,977	2020-01-21 12:22
132,167	43,865	54,705	74,383	2,274	2,462	56111,308	55526,697	69,799	17,137	3,319	7,591	52,700	9,372	994,978	2020-01-21 12:22
132,500	43,668	54,650	74,472	2,276	2,462	56678,987	55950,409	143,236	17,140	3,036	7,702	53,080	9,406	994,977	2020-01-21 12:22
132,834	43,498	54,555	74,446	2,276	2,462	57010,136	56140,474	66,170	17,117	3,356	7,685	52,989	9,398	994,851	2020-01-21 12:23
133,167	43,486	54,472	74,581	2,274	2,464	56966,080	56796,538	124,342	17,226	3,374	7,595	52,825	9,383	994,757	2020-01-21 12:23
133,500	43,511	54,466	74,530	2,274	2,462	56934,798	56624,935	47,040	16,556	3,829	7,712	52,919	9,391	994,663	2020-01-21 12:23
133,833	43,508	54,476	74,564	2,277	2,463	57067,015	56712,032	54,422	16,282	4,166	7,687	52,913	9,391	994,663	2020-01-21 12:24
134,167	43,514	54,472	74,634	2,277	2,466	57000,168	57009,221	65,931	16,483	3,904	7,571	52,675	9,370	994,570	2020-01-21 12:24
134,500	43,516	54,474	74,479	2,275	2,462	56956,022	56464,618	49,776	16,683	3,930	7,721	52,883	9,388	994,477	2020-01-21 12:24

Pellematic 56_cat IV_run 2_200121 underlag till rådata PDF.DAT

Category: IV

	301	302	304	305	306	308	317	1311	1312	1313	1314	1315	1316	1317	1318	1101	1102
Mättid	CO chimney	CO2 chimney	Pdyn	Pstat	Static pressure chimney	O2 chimney	Våg	Flue gas temp	Ambient	Flue gas at pitot	filter temp 1	filter temp 2	gas meter temp 1	gas meter temp 2	gasmeter temp ambient		T4 outlet load side
Minuter	VDC	VDC	VDC	VDC	VDC	VDC	VDC	°C	°C	°C	°C	°C	°C	°C	°C	°C	°C
134,833	0,216	0,838	1,318	0,191	0,015	0,150	1,432	130,942	19,684	34,573	24,503	23,428	46,722	20,373	21,528	20,414	65,249
135,167	0,217	0,832	1,328	0,193	0,015	0,159	1,431	130,881	19,680	34,574	24,510	23,438	29,099	20,369	21,567	20,408	65,207
135,500	0,218	0,833	1,321	0,191	0,016	0,151	1,430	130,925	19,652	34,678	24,538	23,479	72,379	20,378	21,631	20,416	65,163
135,833	0,227	0,859	1,324	0,191	0,018	0,116	1,428	130,953	19,683	34,764	24,568	23,515	47,198	20,378	21,670	20,417	65,088
136,167	0,223	0,872	1,318	0,193	0,017	0,123	1,427	130,944	19,685	34,654	24,583	23,520	45,434	20,378	21,736	20,418	65,010
136,500	0,220	0,866	1,321	0,192	0,017	0,123	1,427	130,991	19,718	34,574	24,594	23,528	11,445	20,379	21,769	20,416	64,995
136,833	0,220	0,874	1,313	0,193	0,010	0,131	1,425	131,006	19,689	34,280	24,581	23,539	113,437	20,370	21,821	20,414	64,967
137,167	0,219	0,849	1,325	0,193	0,010	0,140	1,424	130,990	19,742	34,195	24,599	23,561	96,946	20,370	21,886	20,416	64,971
137,500	0,218	0,850	1,320	0,193	0,015	0,131	1,424	130,996	19,708	34,221	24,607	23,579	49,167	20,381	21,940	20,419	64,963
137,834	0,219	0,849	1,312	0,191	0,015	0,148	1,423	130,982	19,725	34,164	24,602	23,598	72,878	20,377	21,993	20,418	64,941
138,167	0,218	0,839	1,315	0,193	0,018	0,153	1,422	130,953	19,670	34,258	24,644	23,621	11,465	20,380	22,060	20,419	64,918
138,500	0,219	0,843	1,323	0,193	0,017	0,136	1,420	130,942	19,706	34,215	24,652	23,642	1,220	20,384	22,120	20,422	64,899
138,834	0,223	0,854	1,321	0,192	0,019	0,127	1,419	130,951	19,710	34,272	24,668	23,663	25,450	20,372	22,168	20,416	64,855
139,167	0,220	0,868	1,324	0,192	0,017	0,133	1,418	130,931	19,708	34,348	24,679	23,676	33,270	20,382	22,233	20,426	64,822
139,500	0,218	0,838	1,324	0,193	0,016	0,156	1,417	130,844	19,746	34,211	24,680	23,693	43,799	20,380	22,276	20,425	64,809
139,834	0,217	0,839	1,327	0,193	0,016	0,142	1,416	130,798	19,759	34,151	24,678	23,709	45,037	20,372	22,325	20,424	64,781
140,167	0,218	0,837	1,324	0,193	0,013	0,146	1,415	130,806	19,783	34,242	24,721	23,753	92,102	20,382	22,379	20,430	64,752
140,500	0,217	0,843	1,323	0,192	0,014	0,152	1,413	130,738	19,769	34,165	24,717	23,737	64,310	20,376	22,426	20,420	64,732
140,833	0,215	0,834	1,319	0,191	0,020	0,155	1,413	130,723	19,752	34,523	24,753	23,767	2,739	20,386	22,499	20,426	64,709
141,167	0,219	0,828	1,323	0,192	0,018	0,153	1,412	130,729	19,712	34,574	24,773	23,793	49,179	20,369	22,549	20,420	64,620
141,500	0,216	0,832	1,326	0,192	0,014	0,148	1,411	130,756	19,736	34,625	24,795	23,812	103,576	20,372	22,621	20,419	64,505
141,833	0,219	0,848	1,322	0,193	0,014	0,138	1,410	130,723	19,756	34,606	24,825	23,823	62,758	20,386	22,671	20,422	64,423
142,167	0,223	0,865	1,317	0,191	0,015	0,124	1,409	130,723	19,754	34,406	24,805	23,819	67,726	20,392	22,735	20,420	64,409
142,500	0,228	0,871	1,324	0,193	0,014	0,121	1,408	130,732	19,778	34,192	24,816	23,814	72,956	20,396	22,809	20,430	64,401
142,833	0,220	0,857	1,325	0,193	0,013	0,136	1,407	130,672	19,788	34,457	24,825	23,831	31,228	20,393	22,852	20,428	64,448
143,167	0,224	0,844	1,329	0,193	0,016	0,147	1,406	130,653	19,776	34,373	24,827	23,838	107,307	20,403	22,917	20,428	64,488
143,500	0,219	0,849	1,326	0,193	0,023	0,139	1,405	130,631	19,780	34,323	24,833	23,852	70,483	20,407	22,968	20,426	64,463
143,833	0,219	0,855	1,323	0,191	0,014	0,124	1,403	130,671	19,754	34,428	24,857	23,863	72,179	20,411	23,030	20,434	64,396
144,167	0,221	0,869	1,320	0,190	0,018	0,119	1,403	130,704	19,767	34,415	24,880	23,879	58,720	20,408	23,088	20,431	64,401
144,500	0,259	0,882	1,327	0,189	0,014	0,105	1,402	130,743	19,757	34,560	24,892	23,894	30,995	20,411	23,135	20,430	64,429
144,834	0,232	0,894	1,332	0,192	0,020	0,110	1,400	130,756	19,773	34,181	24,882	23,883	32,432	20,417	23,200	20,433	64,489
145,167	0,230	0,873	1,325	0,192	0,018	0,124	1,399	130,711	19,748	34,334	24,890	23,888	77,249	20,411	23,249	20,431	64,551
145,500	0,222	0,850	1,326	0,191	0,012	0,137	1,398	130,724	19,778	34,457	24,919	23,896	78,556	20,416	23,311	20,430	64,577
145,834	0,233	0,866	1,314	0,191	0,017	0,122	1,396	130,731	19,792	34,424	24,910	23,878	47,466	20,406	23,353	20,428	64,560
146,167	0,223	0,873	1,326	0,191	0,012	0,121	1,395	130,735	19,808	34,304	24,925	23,886	114,024	20,419	23,411	20,430	64,562
146,500	0,223	0,861	1,325	0,192	0,011	0,142	1,395	130,665	19,818	34,110	24,889	23,894	63,579	20,405	23,464	20,430	64,578
146,833	0,219	0,820	1,332	0,191	0,018	0,157	1,393	130,671	19,779	34,199	24,924	23,905	-17,559	20,421	23,522	20,433	64,597

Pellematic 56_cat IV_run 2_200121 underlag till rådata PDF.DAT

Category: IV

	1103	1108	1109	130	230	101	102	1	2	3	6	7	8	11	
Mättid	T3 inlet load side	T2 inlet boiler	T1 outlet boiler	Flow load side	Flow boiler side	Heat output load side	Heat output boiler	CO chimney	CO2 chimney	O2 chimney	Pstat	Pdyn	Tunnel velocity	Våg	Tidpunkt
Minuter	°C	°C	°C	m³/h	m³/h	W	W	ppm	%	%	Pa	Pa	m/s	kg	Klockan
134,833	43,479	54,476	74,623	2,274	2,462	56974,176	56861,755	42,002	15,725	4,508	7,654	52,901	9,390	994,478	2020-01-21 12:25
135,167	43,382	54,452	74,509	2,279	2,463	57248,941	56638,953	45,019	15,617	4,769	7,705	53,005	9,399	994,352	2020-01-21 12:25
135,500	43,190	54,379	74,448	2,279	2,466	57634,811	56729,249	56,210	16,019	4,520	7,654	52,688	9,371	994,352	2020-01-21 12:25
135,833	43,094	54,271	74,305	2,273	2,460	57546,201	56514,108	82,176	17,028	3,492	7,633	52,844	9,385	994,257	2020-01-21 12:26
136,167	43,100	54,191	74,416	2,277	2,462	57423,822	57088,137	56,689	16,645	3,679	7,731	52,739	9,375	994,164	2020-01-21 12:26
136,500	43,127	54,166	74,323	2,275	2,460	57262,490	56859,654	53,231	16,652	3,687	7,675	52,873	9,387	994,163	2020-01-21 12:26
136,833	43,157	54,154	74,412	2,276	2,459	57134,183	57118,076	54,727	16,869	3,916	7,732	52,630	9,366	994,070	2020-01-21 12:27
137,167	43,180	54,157	74,385	2,275	2,461	57060,851	57085,302	54,495	16,358	4,203	7,719	52,983	9,397	993,977	2020-01-21 12:27
137,500	43,162	54,173	74,259	2,276	2,462	57110,417	56702,427	46,867	16,341	3,915	7,701	52,868	9,387	993,978	2020-01-21 12:27
137,834	43,156	54,151	74,385	2,274	2,461	57023,246	57103,186	49,715	15,920	4,445	7,646	52,589	9,362	993,852	2020-01-21 12:28
138,167	43,162	54,138	74,192	2,279	2,464	57064,822	56648,673	45,927	16,023	4,592	7,712	52,652	9,368	993,852	2020-01-21 12:28
138,500	43,104	54,120	74,225	2,274	2,457	57062,986	56643,340	54,263	16,489	4,071	7,734	52,992	9,398	993,758	2020-01-21 12:28
138,834	43,095	54,105	74,093	2,277	2,462	57045,247	56422,397	57,196	16,392	3,811	7,678	52,887	9,389	993,664	2020-01-21 12:29
139,167	43,154	54,069	74,052	2,275	2,459	56754,642	56334,607	54,378	16,610	3,981	7,673	53,043	9,402	993,570	2020-01-21 12:29
139,500	43,147	54,095	74,089	2,277	2,463	56777,521	56473,525	45,693	15,800	4,683	7,709	52,967	9,396	993,571	2020-01-21 12:29
139,834	43,117	54,074	73,978	2,276	2,462	56767,875	56185,250	44,945	16,245	4,260	7,705	53,182	9,415	993,478	2020-01-21 12:30
140,167	43,161	54,050	74,007	2,276	2,461	56562,166	56314,040	46,958	15,829	4,383	7,734	53,009	9,399	993,349	2020-01-21 12:30
140,500	43,200	54,066	73,828	2,275	2,460	56381,011	55749,252	45,030	15,993	4,552	7,670	52,773	9,378	993,350	2020-01-21 12:30
140,833	43,081	54,067	73,762	2,277	2,462	56687,304	55598,418	39,140	15,928	4,663	7,627	52,929	9,392	993,255	2020-01-21 12:31
141,167	42,844	53,983	73,671	2,278	2,461	57121,185	55549,375	49,219	15,759	4,603	7,665	52,924	9,392	993,255	2020-01-21 12:31
141,500	42,714	53,837	73,754	2,276	2,462	57093,109	56220,742	40,411	15,732	4,451	7,684	52,922	9,392	993,161	2020-01-21 12:31
141,833	42,694	53,724	73,716	2,275	2,461	56925,662	56410,445	56,689	16,211	4,127	7,734	52,827	9,383	993,067	2020-01-21 12:32
142,167	42,787	53,701	73,683	2,277	2,464	56684,607	56456,000	60,473	16,802	3,728	7,652	52,587	9,362	993,067	2020-01-21 12:32
142,500	42,982	53,727	73,632	2,280	2,463	56216,263	56228,065	62,084	16,855	3,636	7,714	53,152	9,412	992,975	2020-01-21 12:32
142,833	43,089	53,824	73,644	2,277	2,460	55986,597	55914,408	48,217	16,277	4,084	7,712	53,093	9,407	992,849	2020-01-21 12:33
143,167	43,009	53,896	73,658	2,278	2,461	56323,910	55767,697	75,781	15,998	4,415	7,715	53,170	9,414	992,849	2020-01-21 12:33
143,500	42,898	53,875	73,564	2,277	2,461	56534,471	55565,130	49,113	16,409	4,162	7,711	53,140	9,411	992,754	2020-01-21 12:33
143,833	43,031	53,803	73,602	2,280	2,464	56075,733	55931,497	52,339	16,561	3,714	7,653	52,900	9,390	992,661	2020-01-21 12:34
144,167	43,270	53,851	73,486	2,279	2,464	55429,530	55470,278	52,407	16,650	3,571	7,589	52,636	9,366	992,660	2020-01-21 12:34
144,500	43,507	53,964	73,456	2,278	2,467	54863,861	55134,956	241,679	17,109	3,161	7,576	52,850	9,385	992,566	2020-01-21 12:34
144,834	43,626	54,094	73,479	2,282	2,465	54786,387	54794,296	72,181	17,291	3,306	7,697	53,134	9,410	992,475	2020-01-21 12:35
145,167	43,622	54,183	73,613	2,280	2,469	54923,927	55001,255	63,268	16,798	3,706	7,672	52,937	9,393	992,349	2020-01-21 12:35
145,500	43,564	54,210	73,618	2,280	2,467	55132,968	54899,530	57,087	16,041	4,120	7,622	53,049	9,403	992,349	2020-01-21 12:35
145,834	43,518	54,172	73,631	2,280	2,465	55216,697	54993,698	119,352	16,805	3,672	7,649	52,538	9,358	992,254	2020-01-21 12:36
146,167	43,488	54,151	73,690	2,281	2,467	55321,116	55267,558	65,085	16,897	3,621	7,630	52,965	9,395	992,161	2020-01-21 12:36
146,500	43,489	54,149	73,625	2,282	2,468	55383,565	55109,743	57,324	16,359	4,250	7,678	53,090	9,407	992,161	2020-01-21 12:36
146,833	43,535	54,154	73,686	2,278	2,463	55211,754	55151,467	47,758	15,189	4,699	7,632	53,215	9,418	992,067	2020-01-21 12:37

Pellematic 56_cat IV_run 2_200121 underlag till rådata PDF.DAT

Category: IV

	301	302	304	305	306	308	317	1311	1312	1313	1314	1315	1316	1317	1318	1101	1102
Mättid	CO chimney	CO2 chimney	Pdyn	Pstat	Static pressure chimney	O2 chimney	Våg	Flue gas temp	Ambient	Flue gas at pitot	filter temp 1	filter temp 2	gas meter temp 1	gas meter temp 2	gasmeter temp ambient		T4 outlet load side
Minuter	VDC	VDC	VDC	VDC	VDC	VDC	VDC	°C	°C	°C	°C	°C	°C	°C	°C	°C	°C
147,167	0,219	0,851	1,326	0,191	0,016	0,144	1,392	130,658	19,746	34,049	24,902	23,904	79,728	20,412	23,577	20,432	64,646
147,500	0,221	0,837	1,321	0,192	0,020	0,157	1,392	130,617	19,735	34,098	24,900	23,905	7,416	20,409	23,619	20,428	64,650
147,833	0,217	0,846	1,320	0,193	0,014	0,118	1,390	130,623	19,740	34,529	24,943	23,935	41,049	20,411	23,674	20,432	64,623
148,167	0,218	0,882	1,319	0,191	0,018	0,114	1,389	130,674	19,719	34,492	24,949	23,923	48,976	20,415	23,729	20,435	64,605
148,500	0,217	0,873	1,323	0,191	0,014	0,128	1,388	130,680	19,686	34,448	24,958	23,943	94,980	20,427	23,789	20,440	64,604
148,833	0,225	0,869	1,322	0,191	0,016	0,121	1,386	130,693	19,685	34,156	24,957	23,943	47,685	20,419	23,842	20,437	64,588
149,167	0,222	0,865	1,327	0,193	0,015	0,120	1,386	130,706	19,733	34,350	24,960	23,947	46,161	20,419	23,906	20,439	64,598
149,500	0,223	0,871	1,322	0,193	0,014	0,123	1,384	130,757	19,744	34,558	24,983	23,966	42,324	20,435	23,968	20,451	64,602
149,833	0,236	0,867	1,324	0,193	0,019	0,123	1,384	130,768	19,657	34,448	25,002	23,968	60,510	20,433	24,026	20,448	64,609
150,167	0,228	0,863	1,326	0,192	0,018	0,131	1,382	130,803	19,726	34,508	24,997	23,970	42,790	20,423	24,068	20,441	64,622
150,500	0,228	0,873	1,321	0,191	0,020	0,112	1,381	130,797	19,669	34,580	25,004	23,972	-33,688	20,425	24,119	20,445	64,633
150,834	0,225	0,866	1,320	0,191	0,016	0,139	1,379	130,729	19,705	34,472	24,995	23,964	43,533	20,429	24,161	20,447	64,631
151,167	0,219	0,838	1,326	0,194	0,013	0,151	1,379	130,702	19,737	34,423	24,991	23,986	72,542	20,437	24,233	20,452	64,639
151,500	0,219	0,843	1,324	0,194	0,017	0,150	1,378	130,688	19,659	34,181	24,981	23,956	30,828	20,433	24,277	20,448	64,634
151,834	0,217	0,827	1,327	0,194	0,017	0,149	1,377	130,674	19,736	34,335	25,000	23,967	20,098	20,431	24,334	20,451	64,619
152,167	0,218	0,841	1,323	0,194	0,019	0,148	1,376	130,697	19,751	34,238	24,998	23,959	20,737	20,421	24,387	20,445	64,599
152,500	0,227	0,852	1,326	0,190	0,019	0,129	1,376	130,743	19,736	34,381	24,996	23,971	22,707	20,437	24,453	20,450	64,556
152,834	0,239	0,883	1,329	0,193	0,013	0,105	1,374	130,807	19,737	34,172	24,975	23,964	72,587	20,434	24,518	20,455	64,540
153,167	0,222	0,885	1,323	0,192	0,018	0,114	1,371	130,822	19,806	34,215	24,979	23,963	-14,269	20,443	24,560	20,453	64,525
153,500	0,220	0,865	1,326	0,189	0,019	0,123	1,372	130,851	19,806	34,337	24,979	23,974	66,663	20,439	24,633	20,451	64,531
153,833	0,235	0,886	1,328	0,188	0,021	0,102	1,371	130,857	19,768	34,463	25,002	23,993	-21,905	20,436	24,678	20,453	64,565
154,167	0,228	0,894	1,313	0,189	0,016	0,114	1,369	130,880	19,791	34,406	24,996	24,004	66,823	20,443	24,734	20,456	64,592
154,500	0,218	0,856	1,322	0,191	0,016	0,139	1,368	130,864	19,795	34,339	24,989	23,981	73,604	20,427	24,777	20,452	64,598
154,833	0,218	0,847	1,326	0,193	0,013	0,128	1,367	130,846	19,823	34,307	25,002	23,989	92,508	20,443	24,812	20,452	64,601
155,167	0,235	0,879	1,323	0,190	0,016	0,112	1,366	130,882	19,759	34,384	25,018	24,003	34,285	20,436	24,860	20,449	64,592
155,500	0,228	0,890	1,327	0,192	0,017	0,109	1,364	130,884	19,759	34,537	25,027	24,012	1,432	20,434	24,917	20,451	64,600
155,833	0,220	0,867	1,327	0,193	0,015	0,130	1,363	130,880	19,746	34,447	25,024	24,006	41,031	20,425	24,955	20,454	64,615
156,167	0,219	0,863	1,323	0,194	0,017	0,123	1,363	130,895	19,737	34,458	25,032	24,029	5,057	20,437	25,011	20,457	64,609
156,500	0,220	0,864	1,317	0,192	0,019	0,135	1,361	130,897	19,749	34,432	25,022	24,021	42,533	20,435	25,052	20,451	64,635
156,833	0,220	0,854	1,319	0,191	0,015	0,132	1,360	130,902	19,744	34,310	25,030	24,026	73,966	20,427	25,095	20,450	64,635
157,167	0,219	0,857	1,315	0,192	0,015	0,132	1,360	130,891	19,745	34,021	25,006	24,010	57,362	20,433	25,158	20,453	64,633
157,500	0,216	0,844	1,318	0,194	0,019	0,148	1,358	130,879	19,628	34,212	25,020	24,024	48,206	20,434	25,191	20,452	64,622
157,834	0,220	0,849	1,324	0,194	0,020	0,135	1,357	130,897	19,702	34,436	25,027	24,011	58,992	20,431	25,228	20,449	64,599
158,167	0,220	0,865	1,327	0,192	0,017	0,123	1,356	130,912	19,689	34,412	25,037	24,017	34,447	20,437	25,268	20,451	64,569
158,500	0,218	0,863	1,325	0,192	0,018	0,122	1,355	130,953	19,714	34,204	25,020	24,026	33,694	20,437	25,318	20,449	64,548
158,834	0,227	0,875	1,328	0,194	0,015	0,115	1,354	130,960	19,691	34,137	25,012	24,007	36,688	20,440	25,368	20,452	64,562
159,167	0,232	0,880	1,327	0,193	0,021	0,124	1,353	130,915	19,695	34,197	25,013	24,025	-5,855	20,427	25,405	20,451	64,552

Pellematic 56_cat IV_run 2_200121 underlag till rådata PDF.DAT

Category: IV

	1103	1108	1109	130	230	101	102	1	2	3	6	7	8	11	
Mättid	T3 inlet load side	T2 inlet boiler	T1 outlet boiler	Flow load side	Flow boiler side	Heat output load side	Heat output boiler	CO chimney	CO2 chimney	O2 chimney	Pstat	Pdyn	Tunnel velocity	Våg	Tidpunkt
Minuter	°C	°C	°C	m³/h	m³/h	W	W	ppm	%	%	Pa	Pa	m/s	kg	Klockan
147,167	43,535	54,189	73,639	2,278	2,465	55360,585	54962,590	51,900	16,270	4,322	7,631	53,073	9,405	991,976	2020-01-21 12:37
147,500	43,450	54,209	73,783	2,280	2,464	55630,937	55301,616	55,616	15,895	4,716	7,681	52,632	9,366	991,975	2020-01-21 12:37
147,833	43,385	54,164	73,793	2,282	2,469	55774,352	55563,509	48,883	16,689	3,534	7,705	52,848	9,385	991,848	2020-01-21 12:38
148,167	43,340	54,119	73,694	2,279	2,462	55778,018	55253,935	47,023	16,954	3,419	7,656	52,832	9,384	991,754	2020-01-21 12:38
148,500	43,272	54,092	73,711	2,280	2,467	55989,498	55496,883	51,259	16,734	3,851	7,653	52,882	9,388	991,754	2020-01-21 12:38
148,833	43,224	54,059	73,835	2,281	2,463	56095,571	55858,471	83,932	17,065	3,618	7,646	52,933	9,393	991,567	2020-01-21 12:39
149,167	43,201	54,040	73,858	2,280	2,469	56156,806	56102,875	60,696	16,697	3,602	7,708	53,233	9,419	991,568	2020-01-21 12:39
149,500	43,182	54,019	73,818	2,279	2,463	56202,507	55907,800	58,549	16,687	3,696	7,709	52,657	9,368	991,475	2020-01-21 12:39
149,833	43,163	54,015	73,853	2,280	2,461	56288,507	55981,886	129,558	16,696	3,701	7,729	52,649	9,367	991,475	2020-01-21 12:40
150,167	43,165	54,014	73,970	2,280	2,465	56315,719	56411,863	58,267	16,506	3,916	7,686	53,094	9,407	991,352	2020-01-21 12:40
150,500	43,158	54,022	73,921	2,280	2,462	56371,701	56172,101	68,979	17,061	3,349	7,657	52,898	9,390	991,257	2020-01-21 12:40
150,834	43,135	54,002	73,918	2,281	2,465	56454,361	56293,385	50,916	16,327	4,184	7,641	52,970	9,396	991,163	2020-01-21 12:41
151,167	43,134	54,009	73,954	2,281	2,466	56476,806	56386,154	53,474	15,894	4,515	7,773	53,241	9,420	991,164	2020-01-21 12:41
151,500	43,139	54,006	73,932	2,280	2,464	56416,277	56288,356	48,876	16,180	4,487	7,750	52,772	9,378	991,070	2020-01-21 12:41
151,834	43,135	54,006	73,780	2,279	2,466	56364,757	55901,515	43,185	15,696	4,467	7,766	53,190	9,415	991,069	2020-01-21 12:42
152,167	43,109	53,989	73,725	2,281	2,463	56424,508	55740,077	49,010	15,776	4,439	7,777	52,831	9,384	990,977	2020-01-21 12:42
152,500	43,081	53,965	73,652	2,278	2,460	56325,813	55537,028	94,479	16,504	3,857	7,615	53,196	9,416	990,977	2020-01-21 12:42
152,834	43,066	53,932	73,709	2,280	2,464	56363,007	55868,070	141,766	17,408	3,151	7,712	53,316	9,427	990,850	2020-01-21 12:43
153,167	43,054	53,916	73,775	2,281	2,464	56384,751	56100,911	56,111	17,073	3,412	7,676	52,757	9,377	990,663	2020-01-21 12:43
153,500	43,067	53,912	73,817	2,278	2,465	56299,334	56267,917	52,238	16,461	3,691	7,566	53,186	9,415	990,756	2020-01-21 12:43
153,833	43,088	53,928	73,897	2,277	2,463	56299,775	56405,149	116,786	17,340	3,059	7,531	52,800	9,381	990,663	2020-01-21 12:44
154,167	43,104	53,956	73,836	2,280	2,466	56396,130	56206,333	71,916	17,282	3,429	7,570	52,425	9,347	990,569	2020-01-21 12:44
154,500	43,114	53,976	73,847	2,280	2,467	56392,455	56211,599	44,776	16,252	4,175	7,628	53,153	9,412	990,477	2020-01-21 12:44
154,833	43,121	53,983	73,742	2,279	2,464	56344,497	55815,031	46,035	16,190	3,849	7,725	52,911	9,391	990,351	2020-01-21 12:45
155,167	43,119	53,980	73,882	2,282	2,462	56398,543	56189,863	119,770	17,017	3,366	7,610	52,960	9,395	990,351	2020-01-21 12:45
155,500	43,112	53,969	73,889	2,279	2,460	56363,460	56196,726	82,068	17,365	3,259	7,679	53,255	9,421	990,164	2020-01-21 12:45
155,833	43,100	53,966	73,961	2,279	2,465	56452,230	56508,460	49,803	16,474	3,900	7,740	53,223	9,418	990,164	2020-01-21 12:46
156,167	43,090	53,971	73,743	2,283	2,465	56554,935	55890,943	51,400	16,606	3,701	7,758	52,654	9,368	990,164	2020-01-21 12:46
156,500	43,058	53,971	73,960	2,278	2,463	56595,368	56455,149	57,308	16,526	4,054	7,696	52,546	9,358	990,070	2020-01-21 12:46
156,833	43,012	53,960	73,925	2,281	2,462	56789,560	56365,016	53,584	16,521	3,967	7,645	52,679	9,370	989,978	2020-01-21 12:47
157,167	42,976	53,940	73,996	2,283	2,464	56919,174	56669,610	45,961	16,418	3,960	7,684	52,691	9,371	989,978	2020-01-21 12:47
157,500	42,961	53,922	73,847	2,280	2,464	56856,484	56284,800	44,516	15,838	4,439	7,748	52,708	9,373	989,852	2020-01-21 12:47
157,834	42,955	53,900	73,829	2,280	2,464	56808,872	56298,481	55,734	16,370	4,042	7,751	53,211	9,417	989,758	2020-01-21 12:48
158,167	42,954	53,878	73,871	2,282	2,462	56781,868	56436,832	53,069	16,785	3,684	7,678	53,132	9,410	989,758	2020-01-21 12:48
158,500	42,955	53,877	73,772	2,279	2,464	56664,014	56204,892	48,570	16,497	3,662	7,694	53,108	9,408	989,570	2020-01-21 12:48
158,834	42,961	53,861	73,855	2,280	2,462	56698,367	56446,488	66,131	16,737	3,436	7,760	53,133	9,410	989,570	2020-01-21 12:49
159,167	42,973	53,862	73,891	2,280	2,461	56637,421	56524,060	62,653	16,882	3,705	7,710	53,106	9,408	989,570	2020-01-21 12:49

Pellematic 56_cat IV_run 2_200121 underlag till rådata PDF.DAT

Category: IV

	301	302	304	305	306	308	317	1311	1312	1313	1314	1315	1316	1317	1318	1101	1102
Mättid	CO chimney	CO2 chimney	Pdyn	Pstat	Static pressure chimney	O2 chimney	Våg	Flue gas temp	Ambient	Flue gas at pitot	filter temp 1	filter temp 2	gas meter temp 1	gas meter temp 2	gasmeter temp ambient		T4 outlet load side
Minuter	VDC	VDC	VDC	VDC	VDC	VDC	VDC	°C	°C	°C	°C	°C	°C	°C	°C	°C	°C
159,500	0,218	0,854	1,330	0,192	0,013	0,145	1,352	130,856	19,693	34,184	24,996	24,002	114,565	20,428	25,438	20,452	64,559
159,834	0,218	0,823	1,322	0,193	0,018	0,155	1,351	130,845	19,683	34,611	25,035	24,019	29,814	20,434	25,487	20,453	64,552
160,167	0,221	0,848	1,327	0,193	0,016	0,142	1,350	130,793	19,734	34,415	25,043	24,015	94,746	20,435	25,533	20,452	64,535
160,500	0,219	0,832	1,331	0,193	0,014	0,161	1,348	130,763	19,721	34,623	25,050	24,032	66,381	20,438	25,584	20,454	64,510
160,833	0,218	0,829	1,320	0,191	0,014	0,151	1,347	130,776	19,723	34,507	25,051	24,033	103,416	20,440	25,611	20,454	64,487
161,167	0,219	0,839	1,328	0,192	0,020	0,137	1,347	130,785	19,763	34,550	25,074	24,036	-50,350	20,437	25,650	20,456	64,451
161,500	0,223	0,865	1,324	0,193	0,018	0,123	1,345	130,804	19,748	34,354	25,073	24,034	66,215	20,432	25,704	20,458	64,421
161,833	0,222	0,865	1,312	0,192	0,019	0,135	1,344	130,837	19,791	34,520	25,080	24,045	-13,624	20,439	25,740	20,462	64,413
162,167	0,221	0,848	1,316	0,194	0,019	0,140	1,344	130,823	19,786	34,318	25,086	24,049	67,038	20,442	25,784	20,464	64,403
162,500	0,223	0,860	1,323	0,193	0,018	0,117	1,342	130,868	19,773	34,132	25,068	24,053	-1,656	20,450	25,840	20,469	64,413
162,833	0,243	0,882	1,320	0,191	0,017	0,111	1,341	130,869	19,743	34,634	25,088	24,057	50,559	20,444	25,869	20,463	64,394
163,167	0,226	0,876	1,317	0,193	0,011	0,122	1,339	130,851	19,731	34,549	25,093	24,066	124,823	20,443	25,905	20,465	64,408
163,500	0,222	0,873	1,320	0,191	0,017	0,126	1,339	130,828	19,733	34,367	25,070	24,048	15,481	20,452	25,933	20,466	64,390
163,833	0,221	0,858	1,319	0,191	0,018	0,125	1,338	130,821	19,762	34,435	25,079	24,052	45,323	20,458	25,972	20,469	64,378
164,167	0,225	0,866	1,318	0,193	0,020	0,116	1,336	130,822	19,752	34,514	25,088	24,062	-24,330	20,445	26,007	20,469	64,370
164,500	0,228	0,875	1,317	0,194	0,017	0,127	1,336	130,852	19,772	34,496	25,103	24,079	47,706	20,466	26,065	20,474	64,372
164,834	0,222	0,868	1,316	0,193	0,017	0,128	1,334	130,835	19,709	34,240	25,075	24,054	10,728	20,447	26,119	20,473	64,365
165,167	0,218	0,853	1,322	0,191	0,016	0,123	1,333	130,872	19,775	34,412	25,098	24,051	74,495	20,463	26,170	20,479	64,365
165,500	0,221	0,879	1,325	0,192	0,018	0,122	1,331	130,875	19,778	34,414	25,086	24,065	-26,806	20,466	26,198	20,482	64,350
165,834	0,222	0,846	1,323	0,192	0,015	0,152	1,331	130,797	19,765	34,308	25,068	24,063	53,926	20,461	26,226	20,476	64,359
166,167	0,222	0,838	1,318	0,193	0,010	0,142	1,330	130,834	19,791	34,235	25,091	24,074	92,941	20,461	26,258	20,484	64,388
166,500	0,227	0,856	1,323	0,193	0,016	0,129	1,329	130,831	19,819	34,278	25,084	24,059	35,364	20,478	26,301	20,485	64,376
166,834	0,222	0,845	1,323	0,192	0,017	0,150	1,328	130,777	19,804	34,278	25,102	24,056	9,051	20,465	26,340	20,479	64,350
167,167	0,220	0,841	1,319	0,191	0,008	0,148	1,327	130,702	19,823	34,366	25,098	24,070	95,588	20,461	26,361	20,477	64,320
167,500	0,217	0,840	1,319	0,192	0,019	0,142	1,326	130,705	19,736	34,249	25,088	24,065	27,830	20,470	26,390	20,481	64,306
167,833	0,219	0,844	1,324	0,192	0,013	0,145	1,324	130,690	19,732	34,160	25,083	24,050	38,412	20,474	26,405	20,479	64,275
168,167	0,218	0,836	1,321	0,193	0,016	0,149	1,323	130,641	19,724	34,287	25,099	24,061	40,570	20,461	26,432	20,479	64,267
168,500	0,219	0,837	1,327	0,193	0,015	0,152	1,323	130,601	19,765	34,262	25,084	24,048	14,928	20,463	26,462	20,479	64,219
168,833	0,221	0,845	1,326	0,192	0,016	0,145	1,322	130,582	19,774	34,449	25,107	24,062	30,276	20,470	26,508	20,482	64,202
169,167	0,219	0,848	1,322	0,194	0,012	0,134	1,320	130,588	19,768	34,192	25,096	24,059	103,642	20,457	26,547	20,479	64,160
169,500	0,220	0,845	1,320	0,192	0,009	0,142	1,320	130,587	19,772	34,374	25,106	24,091	125,378	20,465	26,573	20,481	64,136
169,833	0,220	0,851	1,321	0,192	0,016	0,137	1,318	130,592	19,762	34,168	25,093	24,076	62,471	20,467	26,603	20,481	64,129
170,167	0,219	0,860	1,322	0,190	0,019	0,131	1,318	130,583	19,752	34,492	25,122	24,086	13,699	20,463	26,639	20,483	64,121
170,500	0,222	0,866	1,317	0,192	0,015	0,121	1,315	130,619	19,796	34,470	25,097	24,071	45,764	20,465	26,668	20,482	64,092
170,833	0,221	0,855	1,331	0,190	0,017	0,130	1,315	130,650	19,769	34,530	25,130	24,072	79,890	20,473	26,692	20,486	64,098
171,167	0,219	0,874	1,321	0,192	0,017	0,120	1,315	130,631	19,773	34,534	25,106	24,079	65,782	20,472	26,725	20,485	64,089
171,500	0,221	0,872	1,324	0,192	0,014	0,122	1,313	130,628	19,776	34,433	25,102	24,071	93,358	20,465	26,756	20,485	64,087

Pellematic 56_cat IV_run 2_200121 underlag till rådata PDF.DAT

Category: IV

	1103	1108	1109	130	230	101	102	1	2	3	6	7	8	11	
Mättid	T3 inlet load side	T2 inlet boiler	T1 outlet boiler	Flow load side	Flow boiler side	Heat output load side	Heat output boiler	CO chimney	CO2 chimney	O2 chimney	Pstat	Pdyn	Tunnel velocity	Våg	Tidpunkt
Minuter	°C	°C	°C	m³/h	m³/h	W	W	ppm	%	%	Pa	Pa	m/s	kg	Klockan
159,500	42,984	53,879	73,864	2,281	2,464	56667,537	56472,374	48,375	16,250	4,341	7,666	53,341	9,429	989,478	2020-01-21 12:49
159,834	43,001	53,876	73,748	2,283	2,461	56633,080	56088,661	45,617	15,350	4,651	7,736	52,887	9,389	989,348	2020-01-21 12:50
160,167	43,007	53,879	73,858	2,280	2,464	56511,975	56447,724	52,375	16,153	4,266	7,710	53,000	9,399	989,349	2020-01-21 12:50
160,500	43,014	53,873	73,812	2,282	2,464	56461,168	56327,097	54,080	15,675	4,828	7,716	53,237	9,420	989,254	2020-01-21 12:50
160,833	43,021	53,873	73,785	2,280	2,457	56347,650	56100,827	46,906	15,994	4,543	7,649	52,982	9,397	989,160	2020-01-21 12:51
161,167	43,011	53,852	73,595	2,281	2,467	56307,646	55843,092	45,619	16,117	4,100	7,660	53,090	9,407	989,160	2020-01-21 12:51
161,500	43,011	53,845	73,446	2,282	2,464	56257,022	55375,412	58,788	16,597	3,704	7,740	53,063	9,404	989,066	2020-01-21 12:51
161,833	43,011	53,834	73,630	2,280	2,462	56175,207	55886,972	61,966	16,542	4,053	7,675	52,338	9,340	988,974	2020-01-21 12:52
162,167	43,003	53,832	73,634	2,283	2,464	56241,186	55943,306	58,503	16,291	4,186	7,741	52,759	9,377	988,974	2020-01-21 12:52
162,500	43,003	53,823	73,460	2,279	2,465	56184,603	55510,032	57,447	16,706	3,512	7,712	52,834	9,384	988,848	2020-01-21 12:52
162,833	42,999	53,827	73,582	2,280	2,464	56166,411	55810,254	74,406	16,995	3,334	7,658	52,938	9,393	988,753	2020-01-21 12:53
163,167	42,994	53,826	73,591	2,278	2,465	56167,676	55873,412	66,097	16,768	3,645	7,732	52,760	9,377	988,660	2020-01-21 12:53
163,500	42,975	53,829	73,652	2,283	2,464	56288,501	56001,363	55,901	16,924	3,789	7,660	53,121	9,409	988,661	2020-01-21 12:53
163,833	42,949	53,813	73,613	2,281	2,465	56277,081	55974,073	60,729	16,628	3,755	7,632	52,690	9,371	988,566	2020-01-21 12:54
164,167	42,918	53,802	73,566	2,283	2,467	56379,043	55912,783	65,008	16,620	3,469	7,728	52,683	9,370	988,473	2020-01-21 12:54
164,500	42,871	53,773	73,615	2,281	2,464	56469,610	56069,048	62,935	16,597	3,820	7,747	52,722	9,374	988,473	2020-01-21 12:54
164,834	42,845	53,740	73,717	2,278	2,460	56433,148	56348,265	59,544	16,814	3,841	7,708	52,733	9,375	988,349	2020-01-21 12:55
165,167	42,860	53,737	73,607	2,282	2,464	56501,565	56137,302	45,615	16,346	3,704	7,658	52,937	9,393	988,253	2020-01-21 12:55
165,500	42,873	53,734	73,706	2,283	2,465	56448,177	56447,436	57,085	16,819	3,658	7,691	53,029	9,401	988,161	2020-01-21 12:55
165,834	42,869	53,734	73,646	2,281	2,461	56435,484	56189,265	62,319	15,913	4,571	7,674	52,985	9,397	988,161	2020-01-21 12:56
166,167	42,860	53,747	73,612	2,283	2,467	56583,994	56200,397	57,032	16,159	4,259	7,735	52,513	9,355	988,066	2020-01-21 12:56
166,500	42,812	53,747	73,665	2,281	2,464	56640,882	56272,372	67,775	16,496	3,883	7,718	53,001	9,399	988,066	2020-01-21 12:56
166,834	42,776	53,706	73,648	2,283	2,464	56700,716	56340,236	54,702	15,817	4,503	7,672	52,854	9,386	987,974	2020-01-21 12:57
167,167	42,785	53,696	73,487	2,283	2,467	56605,355	55991,302	51,750	16,139	4,438	7,655	52,781	9,379	987,848	2020-01-21 12:57
167,500	42,797	53,698	73,484	2,283	2,467	56530,874	55975,427	46,178	16,250	4,250	7,694	52,656	9,368	987,848	2020-01-21 12:57
167,833	42,783	53,678	73,516	2,281	2,465	56450,653	56087,233	45,036	16,085	4,355	7,664	52,994	9,398	987,754	2020-01-21 12:58
168,167	42,789	53,665	73,504	2,281	2,465	56415,450	56089,919	47,625	15,795	4,462	7,728	52,969	9,396	987,661	2020-01-21 12:58
168,500	42,815	53,658	73,334	2,284	2,465	56294,245	55630,741	54,835	15,836	4,549	7,703	53,136	9,411	987,661	2020-01-21 12:58
168,833	42,816	53,657	73,363	2,280	2,461	56131,582	55622,486	51,374	16,252	4,361	7,668	53,133	9,410	987,566	2020-01-21 12:59
169,167	42,805	53,638	73,235	2,283	2,469	56126,349	55493,772	54,677	16,475	4,011	7,773	52,974	9,396	987,474	2020-01-21 12:59
169,500	42,807	53,623	73,395	2,284	2,467	56094,465	55941,021	51,662	15,973	4,257	7,691	52,875	9,387	987,475	2020-01-21 12:59
169,833	42,789	53,609	73,396	2,283	2,464	56088,625	55907,324	55,103	16,317	4,107	7,685	52,759	9,377	987,351	2020-01-21 13:00
170,167	42,759	53,595	73,301	2,282	2,467	56114,886	55746,665	50,737	16,634	3,918	7,608	52,886	9,388	987,351	2020-01-21 13:00
170,500	42,760	53,570	73,113	2,283	2,462	56057,443	55187,050	56,483	16,867	3,632	7,680	52,691	9,371	987,169	2020-01-21 13:00
170,833	42,748	53,565	73,257	2,283	2,464	56112,061	55640,978	52,128	16,155	3,893	7,608	53,518	9,444	987,162	2020-01-21 13:01
171,167	42,718	53,551	73,260	2,281	2,463	56132,742	55667,935	51,529	16,898	3,594	7,683	52,662	9,369	987,162	2020-01-21 13:01
171,500	42,704	53,550	73,369	2,282	2,464	56190,963	55998,122	57,451	16,916	3,661	7,661	52,890	9,389	987,068	2020-01-21 13:01

Pellematic 56_cat IV_run 2_200121 underlag till rådata PDF.DAT

Category: IV

	301	302	304	305	306	308	317	1311	1312	1313	1314	1315	1316	1317	1318	1101	1102
Mättid	CO chimney	CO2 chimney	Pdyn	Pstat	Static pressure chimney	O2 chimney	Våg	Flue gas temp	Ambient	Flue gas at pitot	filter temp 1	filter temp 2	gas meter temp 1	gas meter temp 2	gasmeter temp ambient		T4 outlet load side
Minuter	VDC	VDC	VDC	VDC	VDC	VDC	VDC	°C	°C	°C	°C	°C	°C	°C	°C	°C	°C
171,834	0,217	0,857	1,316	0,190	0,015	0,132	1,312	130,653	19,791	34,382	25,099	24,071	40,928	20,484	26,785	20,491	64,086
172,167	0,221	0,856	1,318	0,193	0,015	0,135	1,311	130,637	19,778	34,547	25,097	24,082	-15,338	20,472	26,816	20,488	64,032
172,500	0,223	0,846	1,319	0,192	0,016	0,148	1,310	130,590	19,725	34,543	25,100	24,073	70,891	20,484	26,841	20,489	64,015
172,834	0,221	0,850	1,316	0,192	0,013	0,132	1,308	130,626	19,727	34,486	25,096	24,079	56,099	20,484	26,873	20,490	64,027
173,167	0,223	0,853	1,325	0,193	0,016	0,138	1,307	130,600	19,709	34,332	25,077	24,062	-29,277	20,487	26,906	20,492	64,019
173,500	0,223	0,841	1,323	0,191	0,018	0,146	1,307	130,529	19,728	34,492	25,102	24,072	52,602	20,490	26,934	20,495	64,024
173,834	0,225	0,846	1,321	0,192	0,018	0,147	1,306	130,502	19,758	34,340	25,097	24,075	28,969	20,490	26,970	20,493	64,000
174,167	0,221	0,846	1,320	0,192	0,013	0,129	1,304	130,509	19,725	34,306	25,097	24,080	83,148	20,495	27,007	20,493	63,993
174,500	0,223	0,871	1,317	0,189	0,014	0,113	1,304	130,550	19,720	34,388	25,105	24,090	22,420	20,489	27,042	20,496	63,940
174,833	0,238	0,893	1,317	0,190	0,011	0,103	1,302	130,548	19,747	34,173	25,080	24,077	138,528	20,481	27,054	20,490	63,901
175,167	0,227	0,889	1,323	0,190	0,017	0,111	1,300	130,532	19,676	34,331	25,074	24,066	-5,165	20,486	27,077	20,488	63,911
175,500	0,222	0,867	1,325	0,192	0,014	0,133	1,300	130,475	19,714	34,176	25,078	24,076	126,539	20,488	27,100	20,491	63,901
175,833	0,218	0,836	1,328	0,191	0,014	0,157	1,299	130,422	19,774	34,259	25,089	24,075	55,855	20,481	27,129	20,491	63,906
176,167	0,220	0,820	1,322	0,192	0,015	0,169	1,298	130,362	19,749	34,564	25,101	24,084	55,001	20,486	27,159	20,490	63,873
176,500	0,219	0,823	1,318	0,192	0,016	0,151	1,297	130,375	19,791	34,429	25,110	24,081	64,464	20,485	27,184	20,489	63,796
176,833	0,240	0,858	1,323	0,192	0,015	0,124	1,296	130,392	19,765	34,224	25,083	24,069	24,758	20,486	27,194	20,488	63,700
177,167	0,245	0,842	1,326	0,191	0,018	0,147	1,295	130,331	19,768	34,331	25,097	24,076	48,212	20,488	27,211	20,488	63,619
177,500	0,239	0,856	1,327	0,191	0,017	0,130	1,294	130,366	19,774	34,442	25,119	24,079	19,565	20,495	27,239	20,490	63,558
177,833	0,231	0,867	1,323	0,191	0,016	0,126	1,292	130,314	19,711	34,248	25,101	24,048	37,037	20,497	27,250	20,489	63,554
178,167	0,222	0,848	1,319	0,193	0,019	0,145	1,292	130,264	19,754	34,279	25,109	24,079	-3,391	20,498	27,282	20,492	63,599
178,500	0,221	0,840	1,327	0,189	0,016	0,135	1,291	130,274	19,765	34,419	25,120	24,081	106,591	20,499	27,308	20,492	63,664
178,834	0,226	0,863	1,328	0,190	0,016	0,135	1,290	130,293	19,717	34,241	25,124	24,086	40,419	20,497	27,336	20,493	63,650
179,167	0,228	0,851	1,323	0,191	0,015	0,138	1,289	130,248	19,716	34,322	25,128	24,067	122,051	20,495	27,361	20,493	63,612
179,500	0,225	0,845	1,326	0,188	0,015	0,140	1,287	130,254	19,788	34,120	25,106	24,053	17,900	20,495	27,397	20,493	63,633
179,834	0,223	0,859	1,325	0,192	0,014	0,120	1,286	130,228	19,826	34,214	25,112	24,063	54,940	20,499	27,410	20,495	63,675
180,167	0,221	0,861	1,322	0,191	0,013	0,142	1,286	130,184	19,816	34,097	25,094	24,051	102,608	20,499	27,432	20,497	63,698
180,500	0,223	0,847	1,324	0,189	0,015	0,133	1,284	130,204	19,799	34,370	25,111	23,180	34,003	20,464	27,448	20,499	63,754
180,833	0,223	0,860	1,323	0,191	0,018	0,129	1,283	130,241	19,791	34,466	25,116	-4986,003	19,506	20,452	27,489	20,501	63,781
181,167	0,249	0,873	1,319	0,192	0,022	0,099	1,281	130,340	19,823	34,459	25,120	18,336	237,257	20,465	27,508	20,501	63,785
181,500	0,336	0,911	1,320	0,190	0,019	0,092	1,281	130,376	19,753	34,469	25,114	-10,196	334,747	20,456	27,523	20,499	63,777
181,833	0,239	0,891	1,320	0,191	0,013	0,113	1,280	130,355	19,754	34,231	25,097	20,498	125,654	20,465	27,550	20,499	63,797
182,167	0,221	0,860	1,318	0,190	0,017	0,138	1,278	130,306	19,743	34,409	25,100	20,692	3,618	20,490	27,567	20,500	63,825
182,500	0,221	0,847	1,319	0,190	0,017	0,134	1,277	130,288	19,763	34,330	25,084	20,996	33,917	20,504	27,572	20,497	63,866
182,833	0,221	0,863	1,317	0,193	0,016	0,126	1,276	130,332	19,743	34,298	25,082	21,159	88,985	20,524	27,619	20,500	63,894
183,167	0,222	0,872	1,321	0,190	0,016	0,125	1,275	130,324	19,730	34,106	25,069	21,258	57,140	20,515	27,644	20,497	63,901
183,500	0,222	0,860	1,321	0,193	0,011	0,126	1,274	130,327	19,721	34,123	25,069	21,353	115,762	20,511	27,674	20,499	63,951
183,833	0,219	0,844	1,321	0,191	0,011	0,143	1,273	130,347	19,730	34,217	25,071	21,446	89,537	20,520	27,703	20,499	63,978

Pellematic 56_cat IV_run 2_200121 underlag till rådata PDF.DAT

Category: IV

	1103	1108	1109	130	230	101	102	1	2	3	6	7	8	11	
Mättid	T3 inlet load side	T2 inlet boiler	T1 outlet boiler	Flow load side	Flow boiler side	Heat output load side	Heat output boiler	CO chimney	CO2 chimney	O2 chimney	Pstat	Pdyn	Tunnel velocity	Våg	Tidpunkt
Minuter	°C	°C	°C	m³/h	m³/h	W	W	ppm	%	%	Pa	Pa	m/s	kg	Klockan
171,834	42,596	53,535	73,384	2,279	2,464	56385,920	56080,775	44,271	16,342	3,946	7,593	52,582	9,361	986,976	2020-01-21 13:02
172,167	42,505	53,462	73,355	2,284	2,463	56619,905	56194,371	53,755	16,260	4,059	7,719	52,570	9,360	986,850	2020-01-21 13:02
172,500	42,518	53,411	73,379	2,283	2,462	56508,877	56390,231	72,134	16,009	4,439	7,692	52,642	9,367	986,850	2020-01-21 13:02
172,834	42,519	53,411	73,236	2,281	2,465	56498,984	56057,420	56,386	16,572	3,969	7,699	52,749	9,376	986,756	2020-01-21 13:03
173,167	42,517	53,416	73,202	2,283	2,462	56518,082	55867,638	61,859	16,324	4,144	7,729	53,070	9,405	986,662	2020-01-21 13:03
173,500	42,550	53,415	73,284	2,280	2,464	56379,232	56137,994	58,475	15,845	4,372	7,657	52,914	9,391	986,662	2020-01-21 13:03
173,834	42,575	53,429	73,047	2,282	2,463	56304,233	55402,377	64,855	16,188	4,422	7,664	52,885	9,388	986,568	2020-01-21 13:04
174,167	42,469	53,413	73,148	2,280	2,461	56504,734	55710,276	57,837	16,441	3,879	7,662	52,642	9,367	986,476	2020-01-21 13:04
174,500	42,363	53,367	73,114	2,278	2,462	56608,265	55757,060	59,064	16,775	3,382	7,563	52,396	9,345	986,476	2020-01-21 13:04
174,833	42,386	53,300	73,214	2,278	2,461	56446,499	56217,467	112,738	17,404	3,083	7,616	52,912	9,391	986,351	2020-01-21 13:05
175,167	42,328	53,303	73,265	2,280	2,464	56655,183	56417,254	72,498	17,311	3,331	7,597	53,091	9,407	986,257	2020-01-21 13:05
175,500	42,288	53,283	73,196	2,282	2,464	56782,527	56265,355	55,411	16,614	3,979	7,661	53,048	9,403	986,257	2020-01-21 13:05
175,833	42,264	53,256	73,109	2,277	2,464	56749,973	56099,028	46,371	15,665	4,700	7,656	52,998	9,398	986,163	2020-01-21 13:06
176,167	42,107	53,232	73,041	2,281	2,460	57181,505	55898,392	49,491	15,307	5,081	7,674	52,800	9,381	986,093	2020-01-21 13:06
176,500	41,861	53,140	72,975	2,279	2,460	57566,685	55969,390	59,834	15,881	4,540	7,686	52,682	9,370	986,069	2020-01-21 13:06
176,833	41,726	52,989	73,046	2,276	2,457	57593,827	56535,850	109,233	16,784	3,709	7,693	52,958	9,395	985,977	2020-01-21 13:07
177,167	41,646	52,883	73,030	2,276	2,460	57611,587	56845,352	89,506	15,586	4,411	7,649	53,075	9,405	985,851	2020-01-21 13:07
177,500	41,707	52,818	73,000	2,278	2,462	57340,279	56997,958	132,851	16,441	3,894	7,643	52,919	9,391	985,850	2020-01-21 13:07
177,833	41,922	52,830	72,929	2,278	2,464	56757,715	56797,003	68,103	16,789	3,770	7,626	52,909	9,391	985,758	2020-01-21 13:08
178,167	42,241	52,950	72,890	2,278	2,465	56037,391	56390,170	54,510	15,990	4,357	7,709	52,713	9,373	985,757	2020-01-21 13:08
178,500	42,281	53,104	72,850	2,281	2,462	56173,272	55756,239	54,661	16,055	4,046	7,577	53,112	9,409	985,663	2020-01-21 13:08
178,834	42,267	53,146	72,794	2,281	2,465	56175,398	55557,348	74,899	16,488	4,056	7,585	52,974	9,396	985,570	2020-01-21 13:09
179,167	42,443	53,141	72,732	2,278	2,464	55537,770	55361,830	72,045	16,408	4,144	7,649	52,645	9,367	985,477	2020-01-21 13:09
179,500	42,635	53,198	72,684	2,280	2,459	55127,369	54952,454	61,774	16,148	4,193	7,539	53,046	9,403	985,348	2020-01-21 13:09
179,834	42,804	53,307	72,800	2,277	2,466	54712,575	55119,295	64,280	16,646	3,605	7,671	52,775	9,379	985,348	2020-01-21 13:10
180,167	42,906	53,392	72,778	2,278	2,462	54523,378	54725,770	57,280	16,173	4,274	7,634	52,803	9,381	985,348	2020-01-21 13:10
180,500	42,977	53,453	72,758	2,278	2,461	54499,213	54488,010	70,385	16,431	3,984	7,564	52,872	9,387	985,254	2020-01-21 13:10
180,833	42,977	53,517	72,760	2,281	2,466	54637,971	54423,558	61,564	16,422	3,873	7,649	53,015	9,400	985,161	2020-01-21 13:11
181,167	42,942	53,529	72,757	2,278	2,463	54670,363	54313,299	159,031	16,978	2,985	7,669	52,905	9,390	985,065	2020-01-21 13:11
181,500	42,873	53,510	72,823	2,281	2,464	54897,501	54570,818	214,848	17,708	2,750	7,617	52,763	9,378	985,065	2020-01-21 13:11
181,833	42,797	53,478	72,912	2,279	2,461	55089,477	54838,110	104,049	17,189	3,400	7,651	52,618	9,365	984,973	2020-01-21 13:12
182,167	42,771	53,454	72,913	2,279	2,462	55231,516	54940,945	52,962	16,289	4,153	7,610	52,724	9,374	984,848	2020-01-21 13:12
182,500	42,733	53,464	72,976	2,277	2,460	55403,352	55049,821	54,841	16,152	4,008	7,592	53,035	9,402	984,754	2020-01-21 13:12
182,833	42,717	53,462	72,996	2,281	2,465	55614,270	55227,539	60,907	16,559	3,774	7,709	52,633	9,366	984,754	2020-01-21 13:13
183,167	42,728	53,450	73,045	2,282	2,464	55626,750	55363,710	63,206	16,891	3,746	7,611	52,811	9,382	984,660	2020-01-21 13:13
183,500	42,710	53,471	73,063	2,276	2,464	55670,667	55357,680	56,019	16,607	3,779	7,702	52,710	9,373	984,566	2020-01-21 13:13
183,833	42,703	53,484	73,129	2,278	2,462	55796,502	55464,593	49,117	15,716	4,297	7,640	53,062	9,404	984,566	2020-01-21 13:14

Pellematic 56_cat IV_run 2_200121 underlag till rådata PDF.DAT

Category: IV

	301	302	304	305	306	308	317	1311	1312	1313	1314	1315	1316	1317	1318	1101	1102
Mättid	CO chimney	CO2 chimney	Pdyn	Pstat	Static pressure chimney	O2 chimney	Våg	Flue gas temp	Ambient	Flue gas at pitot	filter temp 1	filter temp 2	gas meter temp 1	gas meter temp 2	gasmeter temp ambient		T4 outlet load side
Minuter	VDC	VDC	VDC	VDC	VDC	VDC	VDC	°C	°C	°C	°C	°C	°C	°C	°C	°C	°C
184,167	0,219	0,855	1,316	0,192	0,013	0,138	1,272	130,366	19,725	34,366	25,080	21,514	-5,631	20,520	27,711	20,498	63,999
184,500	0,220	0,851	1,313	0,193	0,017	0,139	1,270	130,347	19,793	34,323	25,069	21,569	-37,177	20,530	27,736	20,500	64,016
184,834	0,221	0,856	1,322	0,191	0,012	0,131	1,269	130,378	19,818	34,409	25,094	21,643	157,988	20,523	27,759	20,501	64,012
185,167	0,226	0,851	1,315	0,192	0,012	0,130	1,268	130,413	19,771	34,485	25,103	21,722	85,705	20,528	27,794	20,501	64,034
185,500	0,263	0,873	1,315	0,190	0,017	0,111	1,267	130,467	19,790	34,363	25,105	21,750	59,442	20,535	27,800	20,501	64,028
185,834	0,246	0,894	1,325	0,194	0,022	0,111	1,266	130,467	19,777	34,371	25,117	21,827	207,655	20,536	27,831	20,503	64,032
186,167	0,224	0,859	1,322	0,190	0,014	0,131	1,265	130,470	19,792	34,360	25,123	21,904	92,988	20,519	27,838	20,503	64,045
186,500	0,228	0,864	1,322	0,189	0,014	0,127	1,264	130,434	19,800	34,352	25,126	21,955	275,351	20,532	27,853	20,507	64,069
186,834	0,221	0,852	1,323	0,192	0,018	0,136	1,262	130,434	19,742	34,300	25,124	21,999	48,702	20,536	27,876	20,508	64,075
187,167	0,222	0,862	1,324	0,192	0,020	0,129	1,261	130,420	19,701	34,260	25,113	22,038	112,968	20,540	27,894	20,507	64,061
187,500	0,226	0,865	1,326	0,195	0,018	0,117	1,260	130,450	19,766	34,273	25,108	22,083	-85,016	20,532	27,928	20,512	64,034
187,833	0,227	0,861	1,323	0,193	0,012	0,129	1,259	130,431	19,757	34,394	25,114	22,143	141,452	20,544	27,959	20,511	64,058
188,167	0,232	0,864	1,330	0,192	0,014	0,133	1,259	130,457	19,780	34,203	25,113	22,182	22,131	20,547	27,968	20,515	64,070
188,500	0,226	0,860	1,323	0,193	0,014	0,132	1,257	130,436	19,755	34,294	25,100	22,207	32,975	20,537	27,974	20,513	64,103
188,833	0,226	0,857	1,319	0,190	0,020	0,129	1,256	130,432	19,798	34,435	25,103	22,242	-20,560	20,543	27,983	20,510	64,099
189,167	0,224	0,845	1,319	0,192	0,016	0,147	1,255	130,500	19,777	34,608	25,133	22,292	26,947	20,538	27,995	20,511	64,098
189,500	0,223	0,853	1,318	0,193	0,013	0,122	1,253	130,548	19,716	34,448	25,126	22,339	34,400	20,545	28,017	20,515	64,087
189,833	0,234	0,874	1,320	0,192	0,014	0,134	1,253	130,524	19,708	34,412	25,119	22,377	12,595	20,545	28,012	20,513	64,095
190,167	0,222	0,844	1,316	0,191	0,013	0,131	1,251	130,513	19,728	34,414	25,151	22,424	39,361	20,545	28,032	20,515	64,085
190,500	0,229	0,868	1,323	0,191	0,013	0,115	1,250	130,536	19,732	34,437	25,141	22,461	-66,987	20,551	28,037	20,513	64,081
190,833	0,228	0,884	1,320	0,189	0,017	0,106	1,249	130,617	19,765	34,549	25,152	22,478	13,210	20,544	28,060	20,513	64,089
191,167	0,237	0,898	1,320	0,193	0,017	0,102	1,248	130,613	19,725	34,458	25,139	22,528	35,340	20,542	28,082	20,513	64,096
191,500	0,225	0,878	1,322	0,191	0,020	0,119	1,248	130,626	19,762	34,417	25,119	22,531	-20,168	20,547	28,095	20,513	64,100
191,834	0,224	0,862	1,320	0,192	0,018	0,123	1,246	130,652	19,714	34,441	25,139	22,569	49,421	20,544	28,096	20,513	64,121
192,167	0,228	0,874	1,329	0,191	0,015	0,115	1,244	130,651	19,778	34,108	25,109	22,577	17,618	20,547	28,121	20,514	64,126
192,500	0,225	0,880	1,316	0,195	0,012	0,133	1,244	130,630	19,777	34,206	25,089	22,614	53,857	20,553	28,145	20,517	64,143
192,834	0,221	0,821	1,323	0,193	0,018	0,170	1,243	130,524	19,782	34,470	25,129	22,653	-0,838	20,548	28,164	20,516	64,149
193,167	0,221	0,806	1,322	0,192	0,015	0,169	1,242	130,527	19,772	34,431	25,118	22,684	31,326	20,546	28,179	20,515	64,153
193,500	0,219	0,839	1,322	0,193	0,019	0,137	1,240	130,543	19,779	34,653	25,141	22,740	1,024	20,557	28,184	20,517	64,116
193,834	0,223	0,865	1,317	0,191	0,016	0,121	1,240	130,549	19,752	34,703	25,160	22,752	25,011	20,552	28,197	20,522	64,073
194,167	0,222	0,866	1,328	0,193	0,020	0,130	1,239	130,524	19,741	34,787	25,175	22,788	-10,978	20,543	28,207	20,519	64,027
194,500	0,220	0,836	1,329	0,191	0,022	0,161	1,238	130,457	19,787	34,614	25,162	22,804	-2,509	20,565	28,211	20,521	64,004
194,833	0,219	0,821	1,328	0,192	0,018	0,164	1,236	130,406	19,756	34,482	25,146	22,828	23,533	20,552	28,225	20,521	63,999
195,167	0,218	0,815	1,324	0,192	0,010	0,167	1,235	130,351	19,774	34,437	25,124	22,843	58,492	20,555	28,224	20,521	64,006
195,500	0,217	0,807	1,327	0,191	0,022	0,181	1,235	130,276	19,734	34,141	25,097	22,854	4,812	20,554	28,235	20,522	63,989
195,833	0,219	0,801	1,322	0,194	0,013	0,186	1,235	130,215	19,713	33,907	25,071	22,869	55,334	20,568	28,255	20,525	63,952
196,167	0,221	0,797	1,322	0,189	0,016	0,176	1,233	130,136	19,731	33,915	25,041	22,887	13,197	20,550	28,260	20,524	63,889

Pellematic 56_cat IV_run 2_200121 underlag till rådata PDF.DAT

Category: IV

	1103	1108	1109	130	230	101	102	1	2	3	6	7	8	11	
Mättid	T3 inlet load side	T2 inlet boiler	T1 outlet boiler	Flow load side	Flow boiler side	Heat output load side	Heat output boiler	CO chimney	CO2 chimney	O2 chimney	Pstat	Pdyn	Tunnel velocity	Våg	Tidpunkt
Minuter	°C	°C	°C	m³/h	m³/h	W	W	ppm	%	%	Pa	Pa	m/s	kg	Klockan
184,167	42,708	53,487	73,204	2,279	2,462	55861,434	55666,361	49,091	16,279	4,128	7,665	52,832	9,384	984,473	2020-01-21 13:14
184,500	42,719	53,504	73,105	2,278	2,463	55866,651	55370,730	54,674	16,380	4,157	7,714	52,585	9,362	984,349	2020-01-21 13:14
184,834	42,728	53,508	73,133	2,280	2,459	55866,646	55337,607	59,542	16,585	3,939	7,657	52,935	9,393	984,255	2020-01-21 13:15
185,167	42,742	53,517	73,196	2,278	2,462	55851,552	55564,962	67,468	16,235	3,913	7,685	52,573	9,361	984,254	2020-01-21 13:15
185,500	42,764	53,532	73,222	2,282	2,462	55857,439	55594,772	258,758	16,932	3,319	7,618	52,685	9,371	984,160	2020-01-21 13:15
185,834	42,760	53,535	73,151	2,279	2,461	55804,826	55352,135	97,867	17,386	3,322	7,745	52,735	9,375	984,066	2020-01-21 13:16
186,167	42,716	53,548	73,201	2,279	2,463	55952,389	55513,668	58,727	16,344	3,942	7,613	52,897	9,389	984,066	2020-01-21 13:16
186,500	42,692	53,536	73,234	2,277	2,462	56046,104	55617,864	57,203	16,655	3,803	7,569	52,856	9,386	983,975	2020-01-21 13:16
186,834	42,627	53,527	73,283	2,279	2,460	56270,799	55739,222	54,930	16,200	4,088	7,688	52,847	9,385	983,849	2020-01-21 13:17
187,167	42,604	53,500	73,209	2,280	2,465	56331,372	55712,349	61,812	16,706	3,878	7,690	53,062	9,404	983,754	2020-01-21 13:17
187,500	42,653	53,466	73,293	2,280	2,462	56125,364	55984,121	70,756	16,892	3,508	7,785	52,801	9,381	983,754	2020-01-21 13:17
187,833	42,640	53,497	73,268	2,276	2,459	56116,989	55750,371	64,771	16,182	3,871	7,709	52,935	9,393	983,661	2020-01-21 13:18
188,167	42,620	53,499	73,261	2,277	2,459	56237,347	55721,533	69,037	16,396	4,004	7,680	53,175	9,414	983,661	2020-01-21 13:18
188,500	42,640	53,505	73,416	2,277	2,464	56270,673	56256,769	67,679	16,736	3,946	7,724	53,113	9,409	983,566	2020-01-21 13:18
188,833	42,627	53,519	73,274	2,277	2,462	56283,884	55785,428	71,357	16,628	3,865	7,603	52,600	9,363	983,474	2020-01-21 13:19
189,167	42,612	53,507	73,300	2,276	2,459	56302,932	55809,110	56,706	15,860	4,413	7,684	52,800	9,381	983,351	2020-01-21 13:19
189,500	42,621	53,502	73,382	2,276	2,461	56243,378	56119,593	62,968	16,589	3,664	7,734	52,827	9,383	983,257	2020-01-21 13:19
189,833	42,621	53,504	73,360	2,281	2,465	56390,687	56141,826	62,295	16,694	4,020	7,680	52,798	9,381	983,257	2020-01-21 13:20
190,167	42,621	53,508	73,248	2,281	2,463	56381,417	55757,462	57,285	16,258	3,945	7,660	52,686	9,371	983,163	2020-01-21 13:20
190,500	42,645	53,499	73,284	2,278	2,459	56230,402	55786,102	79,818	16,679	3,462	7,644	53,035	9,402	983,162	2020-01-21 13:20
190,833	42,639	53,505	73,327	2,278	2,462	56264,353	55968,098	76,892	17,057	3,192	7,568	52,709	9,373	983,069	2020-01-21 13:21
191,167	42,612	53,525	73,281	2,279	2,464	56366,960	55823,111	123,665	17,538	3,048	7,731	52,803	9,381	982,976	2020-01-21 13:21
191,500	42,621	53,504	73,359	2,278	2,462	56347,338	56059,216	66,021	16,853	3,576	7,642	52,928	9,392	982,977	2020-01-21 13:21
191,834	42,653	53,516	73,350	2,277	2,464	56280,748	56036,718	56,828	16,354	3,675	7,664	52,918	9,391	982,851	2020-01-21 13:22
192,167	42,658	53,528	73,411	2,276	2,462	56247,400	56136,570	58,418	16,674	3,443	7,642	53,067	9,405	982,757	2020-01-21 13:22
192,500	42,668	53,543	73,424	2,277	2,464	56311,763	56168,661	62,243	16,829	4,005	7,795	52,517	9,356	982,757	2020-01-21 13:22
192,834	42,669	53,555	73,464	2,278	2,463	56333,304	56228,304	54,449	15,282	5,110	7,705	53,194	9,416	982,663	2020-01-21 13:23
193,167	42,599	53,555	73,284	2,278	2,464	56530,770	55744,487	58,953	15,058	5,074	7,699	52,811	9,382	982,569	2020-01-21 13:23
193,500	42,477	53,521	73,361	2,280	2,464	56812,476	56072,332	52,326	16,271	4,112	7,722	52,760	9,377	982,476	2020-01-21 13:23
193,834	42,439	53,460	73,327	2,277	2,464	56719,223	56129,408	64,615	16,858	3,643	7,631	52,753	9,377	982,477	2020-01-21 13:24
194,167	42,423	53,400	73,277	2,276	2,460	56608,754	56084,548	54,980	16,567	3,887	7,720	53,171	9,414	982,352	2020-01-21 13:24
194,500	42,423	53,385	73,280	2,277	2,462	56585,538	56177,099	50,734	15,564	4,827	7,650	53,275	9,423	982,351	2020-01-21 13:24
194,833	42,468	53,376	73,262	2,277	2,462	56449,180	56147,596	52,921	15,627	4,914	7,699	52,937	9,393	982,258	2020-01-21 13:25
195,167	42,480	53,384	73,212	2,280	2,462	56516,791	55994,270	45,820	15,286	5,020	7,689	53,064	9,404	982,164	2020-01-21 13:25
195,500	42,467	53,390	73,135	2,279	2,463	56464,768	55777,588	45,118	14,978	5,428	7,632	52,971	9,396	982,164	2020-01-21 13:25
195,833	42,418	53,367	73,053	2,279	2,465	56503,646	55660,431	53,437	15,084	5,580	7,741	52,697	9,372	982,164	2020-01-21 13:26
196,167	42,390	53,329	73,108	2,279	2,462	56406,482	55844,904	52,913	15,211	5,286	7,577	52,980	9,397	982,071	2020-01-21 13:26

Pellematic 56_cat IV_run 2_200121 underlag till rådata PDF.DAT

Category: IV

	301	302	304	305	306	308	317	1311	1312	1313	1314	1315	1316	1317	1318	1101	1102
Mättid	CO chimney	CO2 chimney	Pdyn	Pstat	Static pressure chimney	O2 chimney	Våg	Flue gas temp	Ambient	Flue gas at pitot	filter temp 1	filter temp 2	gas meter temp 1	gas meter temp 2	gasmeter temp ambient		T4 outlet load side
Minuter	VDC	VDC	VDC	VDC	VDC	VDC	VDC	°C	°C	°C	°C	°C	°C	°C	°C	°C	°C
196,500	0,218	0,799	1,327	0,192	0,018	0,177	1,232	130,104	19,763	34,123	25,048	22,920	39,534	20,569	28,281	20,528	63,827
196,833	0,218	0,814	1,327	0,192	0,012	0,174	1,232	130,027	19,763	34,008	25,055	22,923	5,531	20,565	28,286	20,525	63,770
197,167	0,219	0,816	1,313	0,192	0,014	0,160	1,230	130,001	19,700	34,164	25,045	22,949	23,230	20,550	28,310	20,525	63,683
197,500	0,224	0,843	1,326	0,191	0,013	0,130	1,229	130,107	19,773	34,221	25,059	22,975	62,844	20,563	28,321	20,525	63,643
197,833	0,228	0,881	1,320	0,191	0,014	0,100	1,245	130,150	19,794	34,491	25,056	22,991	4,810	20,561	28,341	20,527	63,618
198,167	0,239	0,895	1,319	0,190	0,018	0,107	1,227	130,167	19,824	34,584	25,064	23,019	-10,067	20,561	28,347	20,525	63,586
198,500	0,221	0,882	1,315	0,193	0,017	0,113	1,225	130,181	19,859	34,353	25,061	23,036	12,825	20,561	28,361	20,525	63,586
198,834	0,222	0,872	1,313	0,189	0,015	0,117	1,224	130,193	19,779	34,290	25,059	23,060	38,414	20,571	28,387	20,528	63,614
199,167	0,231	0,871	1,328	0,192	0,012	0,126	1,224	130,153	19,761	34,377	25,075	23,085	25,229	20,559	28,386	20,529	63,638
199,500	0,226	0,855	1,315	0,190	0,015	0,139	1,222	130,124	19,765	34,174	25,069	23,099	40,437	20,560	28,410	20,529	63,669
199,834	0,221	0,853	1,318	0,191	0,014	0,139	1,221	130,124	19,707	34,165	25,064	23,115	60,958	20,556	28,408	20,527	63,685
200,167	0,221	0,842	1,323	0,191	0,015	0,144	1,220	130,151	19,754	34,291	25,069	23,140	29,696	20,563	28,425	20,530	63,677
200,500	0,221	0,842	1,322	0,192	0,020	0,132	1,219	130,191	19,786	34,297	25,079	23,159	5,632	20,562	28,439	20,534	63,621
200,834	0,229	0,867	1,319	0,189	0,018	0,131	1,218	130,206	19,785	34,303	25,070	23,170	-36,729	20,563	28,446	20,533	63,558
201,167	0,224	0,863	1,318	0,191	0,018	0,128	1,217	130,191	19,790	34,458	25,088	23,227	-5030,268	20,570	28,464	20,536	63,561
201,500	0,223	0,847	1,316	0,190	0,009	0,152	1,216	130,132	19,782	34,375	25,096	23,272	-61,473	20,572	28,471	20,542	63,578
201,833	0,226	0,828	1,319	0,190	0,008	0,136	1,214	130,147	19,706	34,505	25,124	23,303	-82,387	20,566	28,481	20,544	63,576
202,167	0,232	0,876	1,323	0,188	0,023	0,121	1,213	130,169	19,727	34,547	25,143	23,314	-4989,226	20,570	28,482	20,544	63,519
202,500	0,224	0,873	1,323	0,193	0,017	0,118	1,212	130,225	19,766	34,486	25,121	23,325	20,551	20,576	28,498	20,548	63,464
202,833	0,229	0,870	1,315	0,192	0,010	0,122	1,211	130,292	19,754	34,283	25,113	23,340	9,516	20,581	28,498	20,548	63,521
203,167	0,224	0,866	1,323	0,193	0,010	0,123	1,210	130,276	19,789	34,075	25,108	23,349	20,591	20,580	28,529	20,554	63,504
203,500	0,223	0,850	1,325	0,192	0,020	0,149	1,209	130,218	19,815	34,095	25,098	23,347	20,576	20,573	28,538	20,551	63,595
203,833	0,226	0,838	1,327	0,192	0,020	0,144	1,208	130,186	19,875	34,079	25,077	23,349	20,574	20,577	28,554	20,553	63,708
204,167	0,221	0,847	1,327	0,191	0,020	0,135	1,207	130,205	19,885	34,311	25,109	23,364	20,586	20,590	28,578	20,558	63,758
204,500	0,229	0,866	1,326	0,192	0,021	0,117	1,206	130,283	19,886	34,375	25,110	23,369	20,590	20,581	28,563	20,558	63,753
204,833	0,243	0,873	1,321	0,191	0,015	0,119	1,204	130,302	19,797	34,527	25,114	23,374	20,595	20,590	28,560	20,558	63,797
205,167	0,227	0,875	1,327	0,190	0,015	0,128	1,204	130,312	19,767	34,379	25,093	23,385	20,591	20,590	28,555	20,560	63,846
205,500	0,227	0,854	1,328	0,190	0,015	0,128	1,203	130,313	19,790	34,542	25,125	23,411	20,595	20,589	28,561	20,564	63,813
205,834	0,226	0,860	1,329	0,193	0,016	0,129	1,201	130,315	19,775	34,472	25,118	23,423	20,590	20,587	28,572	20,560	63,836
206,167	0,226	0,860	1,324	0,191	0,020	0,134	1,200	130,310	19,836	34,533	25,123	23,426	20,590	20,594	28,586	20,559	63,849
206,500	0,222	0,860	1,322	0,191	0,018	0,131	1,199	130,306	19,862	34,357	25,123	23,447	20,595	20,590	28,614	20,562	63,811
206,834	0,225	0,853	1,317	0,189	0,014	0,137	1,197	130,283	19,864	34,489	25,130	23,455	20,599	20,596	28,620	20,562	63,834
207,167	0,225	0,837	1,322	0,192	0,021	0,148	1,196	130,289	19,843	34,365	25,130	23,460	20,602	20,596	28,635	20,565	63,875
207,500	0,226	0,846	1,328	0,190	0,018	0,146	1,195	130,299	19,868	34,239	25,125	23,464	20,609	20,596	28,639	20,566	63,920
207,834	0,223	0,844	1,323	0,191	0,018	0,144	1,195	130,320	19,802	34,337	25,109	23,471	20,609	20,597	28,643	20,568	64,030
208,167	0,228	0,852	1,326	0,192	0,017	0,128	1,193	130,360	19,784	34,359	25,108	23,485	20,613	20,606	28,663	20,573	64,192
208,500	0,228	0,852	1,325	0,192	0,019	0,141	1,192	130,310	19,800	34,373	25,085	23,486	20,603	20,599	28,649	20,564	64,236

Pellematic 56_cat IV_run 2_200121 underlag till rådata PDF.DAT

Category: IV

	1103	1108	1109	130	230	101	102	1	2	3	6	7	8	11	
Mättid	T3 inlet load side	T2 inlet boiler	T1 outlet boiler	Flow load side	Flow boiler side	Heat output load side	Heat output boiler	CO chimney	CO2 chimney	O2 chimney	Pstat	Pdyn	Tunnel velocity	Våg	Tidpunkt
Minuter	°C	°C	°C	m³/h	m³/h	W	W	ppm	%	%	Pa	Pa	m/s	kg	Klockan
196,500	42,395	53,274	72,892	2,279	2,460	56238,058	55352,838	47,961	14,820	5,313	7,675	53,060	9,404	981,977	2020-01-21 13:26
196,833	42,390	53,261	72,861	2,277	2,464	56055,819	55383,233	50,142	15,264	5,225	7,684	53,026	9,401	981,977	2020-01-21 13:27
197,167	42,392	53,216	72,708	2,280	2,464	55890,434	55074,965	51,265	15,694	4,797	7,683	52,404	9,346	981,851	2020-01-21 13:27
197,500	42,410	53,193	72,755	2,273	2,460	55564,228	55196,084	64,716	16,408	3,913	7,644	53,073	9,405	981,758	2020-01-21 13:27
197,833	42,390	53,192	72,670	2,274	2,462	55585,672	54999,197	69,287	17,241	3,008	7,629	52,815	9,382	983,848	2020-01-21 13:28
198,167	42,410	53,170	72,764	2,276	2,464	55485,707	55366,406	100,791	17,320	3,199	7,582	52,792	9,380	981,663	2020-01-21 13:28
198,500	42,436	53,167	72,650	2,273	2,463	55346,072	55028,929	54,295	17,162	3,400	7,704	52,595	9,363	981,569	2020-01-21 13:28
198,834	42,433	53,192	72,621	2,273	2,460	55427,566	54829,752	59,786	16,781	3,519	7,554	52,724	9,374	981,477	2020-01-21 13:29
199,167	42,446	53,199	72,611	2,278	2,464	55578,970	54855,960	81,558	16,586	3,773	7,690	53,070	9,405	981,477	2020-01-21 13:29
199,500	42,461	53,207	72,687	2,278	2,464	55627,266	55058,319	61,089	16,259	4,158	7,613	52,484	9,353	981,350	2020-01-21 13:29
199,834	42,451	53,224	72,730	2,274	2,462	55600,925	55081,760	58,608	16,493	4,165	7,648	52,739	9,375	981,256	2020-01-21 13:30
200,167	42,400	53,218	72,665	2,277	2,460	55786,157	54871,727	53,518	16,069	4,316	7,650	52,916	9,391	981,256	2020-01-21 13:30
200,500	42,299	53,174	72,575	2,276	2,462	55872,527	54782,060	57,941	16,048	3,957	7,693	52,768	9,378	981,161	2020-01-21 13:30
200,834	42,279	53,117	72,602	2,274	2,460	55720,885	54987,818	60,625	16,590	3,932	7,546	52,730	9,375	981,067	2020-01-21 13:31
201,167	42,333	53,095	72,710	2,273	2,462	55557,221	55393,052	73,369	16,802	3,831	7,622	52,832	9,384	981,068	2020-01-21 13:31
201,500	42,336	53,118	72,497	2,276	2,458	55657,218	54632,639	57,135	16,030	4,561	7,591	52,496	9,354	980,976	2020-01-21 13:31
201,833	42,194	53,125	72,559	2,274	2,459	55977,878	54801,408	67,196	15,812	4,065	7,600	52,734	9,375	980,849	2020-01-21 13:32
202,167	41,974	53,036	72,615	2,275	2,460	56444,385	55233,535	65,509	16,834	3,631	7,530	52,883	9,388	980,754	2020-01-21 13:32
202,500	42,253	52,946	72,661	2,275	2,463	55559,188	55693,854	67,042	17,003	3,552	7,723	52,697	9,372	980,755	2020-01-21 13:32
202,833	42,148	53,056	72,672	2,275	2,460	55992,995	55342,434	78,343	16,799	3,672	7,666	52,569	9,360	980,661	2020-01-21 13:33
203,167	42,362	53,022	72,829	2,276	2,459	55402,840	55865,558	60,040	16,736	3,700	7,718	53,093	9,407	980,567	2020-01-21 13:33
203,500	42,719	53,124	72,877	2,274	2,458	54651,416	55701,986	61,403	16,025	4,472	7,685	52,974	9,396	980,567	2020-01-21 13:33
203,833	42,733	53,323	72,749	2,275	2,460	54949,774	54817,422	75,489	16,132	4,328	7,698	53,113	9,409	980,475	2020-01-21 13:34
204,167	42,666	53,396	72,773	2,275	2,462	55255,787	54703,187	57,791	16,263	4,050	7,640	53,057	9,404	980,349	2020-01-21 13:34
204,500	42,969	53,384	72,691	2,278	2,464	54515,250	54558,974	82,521	16,811	3,512	7,661	53,073	9,405	980,349	2020-01-21 13:34
204,833	43,058	53,508	72,803	2,273	2,460	54270,337	54439,908	144,074	16,791	3,572	7,640	52,791	9,380	980,255	2020-01-21 13:35
205,167	42,868	53,579	72,811	2,279	2,460	55029,824	54262,973	60,482	16,873	3,829	7,606	52,999	9,398	980,253	2020-01-21 13:35
205,500	42,993	53,513	72,767	2,279	2,464	54629,265	54403,603	63,154	16,487	3,832	7,610	53,091	9,407	980,161	2020-01-21 13:35
205,834	42,910	53,545	72,877	2,277	2,462	54844,973	54586,234	61,945	16,340	3,878	7,709	53,400	9,434	980,067	2020-01-21 13:36
206,167	42,679	53,521	72,950	2,279	2,462	55540,041	54861,786	72,182	16,391	4,022	7,657	53,012	9,400	979,975	2020-01-21 13:36
206,500	42,638	53,423	72,892	2,280	2,464	55576,555	55005,690	59,705	16,696	3,935	7,636	52,740	9,375	979,849	2020-01-21 13:36
206,834	42,669	53,392	73,023	2,276	2,460	55453,564	55391,276	66,932	16,350	4,120	7,568	52,787	9,380	979,754	2020-01-21 13:37
207,167	42,795	53,438	73,088	2,276	2,459	55229,262	55410,264	66,900	15,767	4,431	7,683	53,052	9,403	979,755	2020-01-21 13:37
207,500	43,170	53,491	73,003	2,275	2,460	54340,701	55040,238	68,705	16,122	4,384	7,614	53,374	9,432	979,662	2020-01-21 13:37
207,834	43,730	53,728	73,127	2,277	2,459	53193,622	54704,863	59,473	16,260	4,308	7,643	52,867	9,387	979,661	2020-01-21 13:38
208,167	43,794	54,020	72,993	2,278	2,463	53485,687	53574,948	78,906	16,598	3,837	7,689	53,000	9,399	979,567	2020-01-21 13:38
208,500	43,839	54,120	72,977	2,276	2,459	53432,307	53152,444	68,384	16,049	4,219	7,684	53,103	9,408	979,475	2020-01-21 13:38

Pellematic 56_cat IV_run 2_200121 underlag till rådata PDF.DAT

Category: IV

	301	302	304	305	306	308	317	1311	1312	1313	1314	1315	1316	1317	1318	1101	1102
Mättid	CO chimney	CO2 chimney	Pdyn	Pstat	Static pressure chimney	O2 chimney	Våg	Flue gas temp	Ambient	Flue gas at pitot	filter temp 1	filter temp 2	gas meter temp 1	gas meter temp 2	gasmeter temp ambient		T4 outlet load side
Minuter	VDC	VDC	VDC	VDC	VDC	VDC	VDC	°C	°C	°C	°C	°C	°C	°C	°C	°C	°C
208,833	0,222	0,842	1,320	0,190	0,017	0,148	1,191	130,305	19,794	34,373	25,094	23,488	20,605	20,590	28,644	20,566	64,237
209,167	0,219	0,858	1,322	0,191	0,019	0,126	1,190	130,308	19,815	34,596	25,107	23,503	20,615	20,606	28,652	20,572	64,155
209,500	0,226	0,859	1,324	0,193	0,015	0,129	1,189	130,313	19,806	34,598	25,128	23,526	20,619	20,616	28,657	20,577	64,118
209,833	0,222	0,854	1,325	0,190	0,013	0,126	1,187	130,304	19,788	34,439	25,115	23,530	20,621	20,607	28,659	20,575	64,231
210,167	0,228	0,868	1,317	0,191	0,011	0,134	1,186	130,328	19,755	34,638	25,137	23,538	20,618	20,615	28,664	20,576	64,369
210,500	0,225	0,861	1,321	0,193	0,022	0,124	1,185	130,402	19,728	34,345	25,114	23,545	20,621	20,609	28,667	20,576	64,586
210,833	0,235	0,877	1,323	0,192	0,020	0,111	1,184	130,441	19,757	33,962	25,060	23,529	20,609	20,602	28,681	20,573	64,813
211,167	0,221	0,866	1,310	0,194	0,020	0,127	1,183	130,431	19,745	34,272	25,059	23,543	20,609	20,613	28,673	20,572	64,977
211,500	0,253	0,874	1,310	0,193	0,019	0,111	1,182	130,466	19,786	34,339	25,080	23,541	20,606	20,609	28,691	20,574	65,010
211,833	0,264	0,891	1,316	0,192	0,019	0,107	1,180	130,513	19,793	34,534	25,085	23,538	20,626	20,619	28,698	20,576	65,038
212,167	0,229	0,878	1,314	0,191	0,018	0,110	1,179	130,542	19,763	34,477	25,075	23,543	20,613	20,613	28,713	20,577	65,065
212,500	0,240	0,880	1,322	0,193	0,018	0,107	1,177	130,610	19,840	34,523	25,083	23,555	20,614	20,613	28,719	20,574	65,078
212,834	0,234	0,886	1,323	0,195	0,015	0,117	1,176	130,642	19,810	34,242	25,091	23,564	20,626	20,617	28,753	20,578	65,110
213,167	0,222	0,873	1,318	0,192	0,013	0,126	1,176	130,648	19,813	34,177	25,076	23,575	20,627	20,617	28,759	20,579	65,178
213,500	0,220	0,841	1,329	0,193	0,011	0,150	1,174	130,628	19,830	34,269	25,074	23,572	20,625	20,619	28,778	20,580	65,190
213,834	0,221	0,825	1,320	0,192	0,013	0,163	1,173	130,657	19,864	34,236	25,078	23,580	20,621	20,603	28,792	20,576	65,196
214,167	0,222	0,830	1,314	0,191	0,014	0,154	1,171	130,703	19,845	34,334	25,070	23,579	20,632	20,609	28,784	20,580	65,233
214,500	0,221	0,836	1,314	0,192	0,017	0,142	1,171	130,762	19,834	34,396	25,069	23,609	20,629	20,613	28,788	20,579	65,299
214,833	0,221	0,847	1,324	0,192	0,020	0,146	1,169	130,741	19,808	34,337	25,063	23,600	20,626	20,607	28,775	20,579	65,337
215,167	0,225	0,841	1,317	0,192	0,015	0,143	1,169	130,734	19,819	34,336	25,056	23,617	20,636	20,617	28,793	20,583	65,362
215,500	0,221	0,842	1,320	0,191	0,012	0,148	1,168	130,728	19,876	34,207	25,067	23,622	20,639	20,617	28,801	20,587	65,348
215,833	0,220	0,823	1,320	0,190	0,009	0,165	1,167	130,725	19,851	34,509	25,100	23,629	20,629	20,613	28,788	20,579	65,327
216,167	0,221	0,833	1,322	0,191	0,015	0,147	1,166	130,761	19,813	34,340	25,091	23,640	20,621	20,604	28,801	20,576	65,301
216,500	0,228	0,856	1,315	0,191	0,017	0,127	1,164	130,756	19,845	34,410	25,090	23,644	20,636	20,617	28,810	20,578	65,236
216,833	0,231	0,855	1,317	0,191	0,014	0,121	1,163	130,775	19,731	34,511	25,105	23,665	20,641	20,604	28,824	20,578	65,212
217,167	0,268	0,883	1,322	0,192	0,018	0,120	1,162	130,837	19,794	34,478	25,095	23,672	20,643	20,613	28,809	20,583	65,198
217,500	0,229	0,872	1,326	0,194	0,010	0,118	1,161	130,833	19,754	34,391	25,093	23,673	20,644	20,612	28,812	20,585	65,196
217,833	0,219	0,859	1,323	0,190	0,013	0,144	1,160	130,822	19,775	34,444	25,092	23,682	20,643	20,621	28,825	20,590	65,173
218,167	0,220	0,819	1,325	0,190	0,011	0,166	1,160	130,781	19,779	34,207	25,096	23,674	20,640	20,621	28,821	20,585	65,145
218,500	0,217	0,821	1,326	0,192	0,011	0,159	1,158	130,731	19,795	34,036	25,070	23,678	20,647	20,616	28,822	20,588	65,162
218,834	0,217	0,832	1,324	0,190	0,007	0,155	1,157	130,715	19,837	34,395	25,071	23,674	20,644	20,608	28,840	20,590	65,114
219,167	0,221	0,843	1,317	0,191	0,022	0,127	1,156	130,756	19,740	34,313	25,087	23,696	20,642	20,612	28,837	20,584	65,049
219,500	0,235	0,882	1,324	0,192	0,020	0,104	1,155	130,804	19,712	34,330	25,075	23,689	20,639	20,613	28,833	20,585	64,983
219,834	0,251	0,889	1,321	0,192	0,019	0,107	1,154	130,855	19,721	34,485	25,090	23,701	20,645	20,622	28,833	20,586	64,953
220,167	0,227	0,881	1,314	0,190	0,010	0,128	1,153	130,891	19,736	34,328	25,071	23,701	20,650	20,623	28,850	20,590	64,936
220,500	0,223	0,866	1,317	0,193	0,015	0,115	1,152	130,926	19,777	34,380	25,089	23,714	20,654	20,630	28,853	20,590	64,963
220,834	0,222	0,864	1,310	0,194	0,017	0,128	1,151	130,932	19,774	34,500	25,095	23,720	20,646	20,629	28,867	20,585	64,963

Pellematic 56_cat IV_run 2_200121 underlag till rådata PDF.DAT

Category: IV

	1103	1108	1109	130	230	101	102	1	2	3	6	7	8	11	
Mättid	T3 inlet load side	T2 inlet boiler	T1 outlet boiler	Flow load side	Flow boiler side	Heat output load side	Heat output boiler	CO chimney	CO2 chimney	O2 chimney	Pstat	Pdyn	Tunnel velocity	Våg	Tidpunkt
Minuter	°C	°C	°C	m³/h	m³/h	W	W	ppm	%	%	Pa	Pa	m/s	kg	Klockan
208,833	43,471	54,140	73,018	2,276	2,460	54403,129	53245,054	56,439	15,948	4,436	7,596	52,776	9,379	979,352	2020-01-21 13:39
209,167	43,343	53,979	73,070	2,278	2,462	54580,552	53888,580	54,782	16,896	3,794	7,650	52,782	9,379	979,351	2020-01-21 13:39
209,500	43,719	53,900	73,061	2,281	2,464	53556,181	54121,767	71,189	16,573	3,873	7,714	52,905	9,390	979,257	2020-01-21 13:39
209,833	44,051	54,075	73,099	2,277	2,462	52881,154	53703,111	60,729	16,244	3,779	7,611	53,197	9,416	979,163	2020-01-21 13:40
210,167	44,639	54,297	73,156	2,277	2,460	51688,083	53192,010	71,786	16,476	4,035	7,659	52,621	9,365	979,069	2020-01-21 13:40
210,500	45,258	54,642	73,210	2,276	2,460	50588,128	52358,676	69,978	16,823	3,734	7,703	52,928	9,392	979,069	2020-01-21 13:40
210,833	45,487	55,035	73,274	2,277	2,463	50604,493	51472,982	94,172	17,229	3,323	7,695	52,772	9,378	978,976	2020-01-21 13:41
211,167	45,388	55,238	73,289	2,278	2,463	51316,311	50950,633	49,276	16,375	3,796	7,755	52,419	9,347	978,851	2020-01-21 13:41
211,500	45,276	55,243	73,394	2,278	2,460	51704,158	51170,502	204,744	16,982	3,321	7,740	52,441	9,349	978,851	2020-01-21 13:41
211,833	45,093	55,210	73,614	2,279	2,461	52294,124	51908,372	242,391	17,412	3,218	7,660	52,340	9,340	978,756	2020-01-21 13:42
212,167	44,881	55,149	73,688	2,277	2,462	52878,551	52313,501	68,779	16,966	3,300	7,643	52,687	9,371	978,662	2020-01-21 13:42
212,500	44,710	55,048	73,870	2,275	2,462	53321,615	53108,508	97,365	16,849	3,215	7,724	52,907	9,390	978,569	2020-01-21 13:42
212,834	44,648	54,990	74,082	2,279	2,462	53643,219	53877,488	58,918	16,877	3,521	7,805	52,968	9,396	978,477	2020-01-21 13:43
213,167	44,316	54,966	74,109	2,276	2,462	54628,307	54015,942	58,613	16,942	3,767	7,678	52,763	9,378	978,478	2020-01-21 13:43
213,500	44,022	54,844	74,185	2,277	2,461	55471,216	54546,587	53,263	15,809	4,502	7,729	53,240	9,420	978,352	2020-01-21 13:43
213,834	43,977	54,711	74,327	2,276	2,463	55569,346	55382,263	58,158	15,385	4,883	7,687	52,645	9,367	978,257	2020-01-21 13:44
214,167	44,011	54,692	74,331	2,279	2,463	55670,854	55438,492	58,765	15,821	4,629	7,655	52,452	9,350	978,163	2020-01-21 13:44
214,500	44,043	54,720	74,570	2,273	2,463	55609,161	56042,209	55,688	15,950	4,269	7,661	52,271	9,334	978,163	2020-01-21 13:44
214,833	44,044	54,758	74,407	2,276	2,457	55775,252	55334,784	56,832	16,085	4,394	7,661	53,104	9,408	978,070	2020-01-21 13:45
215,167	43,963	54,768	74,544	2,276	2,463	56059,137	55838,360	77,072	16,195	4,287	7,697	52,563	9,360	978,069	2020-01-21 13:45
215,500	43,886	54,736	74,426	2,276	2,462	56215,309	55570,375	52,236	15,930	4,454	7,645	52,833	9,384	977,977	2020-01-21 13:45
215,833	43,841	54,687	74,417	2,276	2,462	56269,898	55685,861	52,688	15,372	4,944	7,591	52,914	9,391	977,851	2020-01-21 13:46
216,167	43,827	54,652	74,375	2,277	2,457	56277,876	55548,412	56,244	16,112	4,401	7,627	52,982	9,397	977,851	2020-01-21 13:46
216,500	43,821	54,601	74,321	2,275	2,457	56081,780	55545,464	88,471	16,778	3,809	7,625	52,472	9,352	977,757	2020-01-21 13:46
216,833	43,813	54,578	74,343	2,274	2,459	56011,497	55705,153	75,571	16,354	3,621	7,648	52,815	9,382	977,663	2020-01-21 13:47
217,167	43,770	54,576	74,385	2,279	2,462	56196,707	55910,681	106,960	16,905	3,611	7,687	52,966	9,396	977,663	2020-01-21 13:47
217,500	43,742	54,550	74,255	2,276	2,459	56191,151	55559,608	89,420	17,111	3,532	7,761	52,994	9,398	977,570	2020-01-21 13:47
217,833	43,714	54,521	74,290	2,274	2,458	56165,735	55702,350	51,504	16,305	4,316	7,617	53,076	9,405	977,477	2020-01-21 13:48
218,167	43,712	54,509	74,221	2,277	2,460	56181,028	55598,221	55,640	15,187	4,994	7,584	52,906	9,390	977,478	2020-01-21 13:48
218,500	43,629	54,505	74,298	2,277	2,459	56425,070	55787,699	44,446	15,486	4,763	7,687	52,909	9,391	977,349	2020-01-21 13:48
218,834	43,488	54,454	74,315	2,274	2,460	56613,909	56022,415	47,872	15,826	4,659	7,591	52,765	9,378	977,255	2020-01-21 13:49
219,167	43,439	54,379	74,222	2,275	2,460	56601,619	55971,736	55,932	16,367	3,822	7,620	52,648	9,367	977,254	2020-01-21 13:49
219,500	43,460	54,315	74,259	2,274	2,459	56342,032	56215,843	71,631	17,136	3,125	7,687	52,967	9,396	977,161	2020-01-21 13:49
219,834	43,468	54,311	74,048	2,277	2,460	56314,364	55665,008	86,059	17,078	3,204	7,674	53,004	9,399	977,066	2020-01-21 13:50
220,167	43,467	54,315	74,335	2,278	2,464	56307,143	56544,785	60,508	16,829	3,829	7,617	52,466	9,351	977,067	2020-01-21 13:50
220,500	43,474	54,314	74,110	2,277	2,462	56324,299	55876,027	61,192	17,041	3,439	7,737	52,765	9,378	976,974	2020-01-21 13:50
220,834	43,508	54,319	74,081	2,276	2,460	56196,848	55740,126	58,040	16,421	3,852	7,749	52,294	9,336	976,849	2020-01-21 13:51

Pellematic 56_cat IV_run 2_200121 underlag till rådata PDF.DAT

Category: IV

	301	302	304	305	306	308	317	1311	1312	1313	1314	1315	1316	1317	1318	1101	1102
Mättid	CO chimney	CO2 chimney	Pdyn	Pstat	Static pressure chimney	O2 chimney	Våg	Flue gas temp	Ambient	Flue gas at pitot	filter temp 1	filter temp 2	gas meter temp 1	gas meter temp 2	gasmeter temp ambient		T4 outlet load side
Minuter	VDC	VDC	VDC	VDC	VDC	VDC	VDC	°C	°C	°C	°C	°C	°C	°C	°C	°C	°C
221,167	0,222	0,860	1,323	0,193	0,016	0,136	1,150	130,927	19,762	34,454	25,102	23,732	20,655	20,627	28,890	20,586	64,996
221,500	0,223	0,850	1,321	0,191	0,014	0,144	1,148	130,941	19,797	34,594	25,106	23,738	20,652	20,637	28,908	20,592	65,015
221,833	0,220	0,838	1,322	0,190	0,015	0,137	1,147	130,966	19,835	34,439	25,099	23,740	20,661	20,633	28,918	20,594	65,060
222,167	0,229	0,862	1,316	0,192	0,015	0,117	1,147	131,020	19,787	34,607	25,140	23,765	20,668	20,635	28,933	20,594	65,022
222,500	0,225	0,884	1,321	0,192	0,021	0,114	1,145	131,045	19,814	34,549	25,114	23,760	20,660	20,627	28,919	20,590	64,967
222,834	0,224	0,875	1,315	0,191	0,016	0,127	1,144	131,061	19,819	34,359	25,114	23,767	20,671	20,634	28,919	20,597	64,951
223,167	0,231	0,847	1,316	0,192	0,019	0,148	1,143	130,977	19,768	34,532	25,118	23,770	20,667	20,639	28,905	20,593	64,933
223,500	0,227	0,836	1,324	0,193	0,020	0,136	1,142	130,970	19,743	34,554	25,113	23,774	20,663	20,646	28,915	20,593	64,938
223,834	0,224	0,849	1,316	0,194	0,019	0,158	1,140	130,928	19,761	34,366	25,102	23,771	20,673	20,643	28,922	20,595	64,922
224,167	0,220	0,821	1,318	0,193	0,017	0,161	1,140	130,904	19,790	34,395	25,110	23,783	20,672	20,644	28,932	20,596	64,869
224,500	0,221	0,837	1,316	0,193	0,012	0,133	1,139	130,901	19,760	34,482	25,098	23,778	20,665	20,646	28,924	20,594	64,856
224,834	0,226	0,859	1,321	0,192	0,010	0,129	1,138	130,909	19,800	34,414	25,101	23,778	20,681	20,645	28,933	20,598	64,809
225,167	0,226	0,858	1,318	0,192	0,015	0,134	1,136	130,923	19,801	34,384	25,094	23,775	20,671	20,649	28,924	20,597	64,818
225,500	0,232	0,866	1,327	0,193	0,012	0,123	1,136	130,985	19,839	34,475	25,097	23,775	20,674	20,646	28,931	20,600	64,811
225,834	0,235	0,872	1,315	0,194	0,012	0,123	1,135	130,975	19,795	34,333	25,101	23,776	20,689	20,651	28,929	20,603	64,787
226,167	0,228	0,845	1,321	0,193	0,012	0,143	1,134	130,971	19,818	34,480	25,109	23,774	20,683	20,649	28,948	20,606	64,755
226,500	0,224	0,849	1,319	0,193	0,011	0,141	1,132	130,953	19,853	34,369	25,104	23,779	20,680	20,649	28,944	20,606	64,732
226,833	0,236	0,863	1,321	0,195	0,013	0,121	1,131	130,966	19,864	34,388	25,101	23,776	20,699	20,652	28,935	20,606	64,717
227,167	0,230	0,869	1,326	0,193	0,017	0,122	1,131	130,987	19,858	34,405	25,092	23,772	20,680	20,652	28,944	20,601	64,669
227,500	0,229	0,868	1,319	0,194	0,017	0,124	1,129	130,969	19,873	34,546	25,116	23,784	20,698	20,647	28,956	20,605	64,650
227,833	0,224	0,859	1,329	0,191	0,017	0,131	1,128	130,978	19,843	34,798	25,112	23,782	20,693	20,644	28,940	20,598	64,643
228,167	0,248	0,867	1,326	0,193	0,019	0,130	1,128	130,977	19,842	34,675	25,118	23,795	20,694	20,644	28,953	20,605	64,648
228,500	0,224	0,850	1,309	0,191	0,019	0,135	1,127	130,981	19,814	34,649	25,131	23,816	20,695	20,666	28,960	20,610	64,652
228,833	0,230	0,855	1,325	0,193	0,021	0,129	1,125	131,019	19,820	34,610	25,139	23,810	20,703	20,655	28,951	20,609	64,646
229,167	0,223	0,858	1,327	0,193	0,019	0,133	1,123	130,972	19,841	34,522	25,114	23,804	20,692	20,642	28,941	20,601	64,650
229,500	0,223	0,858	1,318	0,189	0,020	0,139	1,123	130,955	19,833	34,448	25,108	23,791	20,690	20,645	28,926	20,602	64,638
229,833	0,219	0,839	1,317	0,192	0,011	0,145	1,122	130,953	19,818	34,438	25,099	23,790	20,685	20,658	28,937	20,600	64,612
230,167	0,221	0,856	1,321	0,190	0,017	0,121	1,121	130,973	19,761	34,447	25,095	23,793	20,699	20,653	28,943	20,603	64,568
230,500	0,226	0,871	1,318	0,192	0,011	0,120	1,120	130,982	19,817	34,425	25,109	23,797	20,688	20,656	28,954	20,604	64,535
230,834	0,229	0,882	1,315	0,191	0,017	0,116	1,118	131,000	19,815	34,417	25,069	23,786	20,691	20,644	28,953	20,600	64,536
231,167	0,222	0,853	1,319	0,194	0,017	0,142	1,118	130,944	19,832	34,145	25,070	23,776	20,688	20,643	28,968	20,598	64,544
231,500	0,225	0,845	1,317	0,191	0,018	0,131	1,116	130,985	19,832	34,283	25,072	23,786	20,681	20,656	28,961	20,601	64,513
231,834	0,228	0,874	1,321	0,192	0,013	0,119	1,115	131,016	19,855	34,335	25,060	23,777	20,701	20,660	28,985	20,604	64,517
232,167	0,223	0,869	1,327	0,194	0,020	0,131	1,114	130,956	19,796	34,359	25,072	23,780	20,708	20,649	28,979	20,604	64,530
232,500	0,221	0,852	1,328	0,193	0,015	0,139	1,113	130,928	19,790	34,438	25,066	23,781	20,691	20,648	28,976	20,597	64,506
232,834	0,221	0,828	1,328	0,193	0,015	0,155	1,112	130,905	19,813	34,445	25,078	23,795	20,696	20,646	28,975	20,600	64,505
233,167	0,240	0,849	1,326	0,194	0,020	0,126	1,111	130,925	19,788	34,412	25,078	23,792	20,693	20,651	28,977	20,596	64,554

Pellematic 56_cat IV_run 2_200121 underlag till rådata PDF.DAT

Category: IV

	1103	1108	1109	130	230	101	102	1	2	3	6	7	8	11	
Mättid	T3 inlet load side	T2 inlet boiler	T1 outlet boiler	Flow load side	Flow boiler side	Heat output load side	Heat output boiler	CO chimney	CO2 chimney	O2 chimney	Pstat	Pdyn	Tunnel velocity	Våg	Tidpunkt
Minuter	°C	°C	°C	m³/h	m³/h	W	W	ppm	%	%	Pa	Pa	m/s	kg	Klockan
221,167	43,656	54,339	74,071	2,277	2,462	55927,995	55691,992	62,733	16,411	4,091	7,737	53,017	9,400	976,848	2020-01-21 13:51
221,500	43,764	54,417	74,102	2,273	2,457	55582,992	55443,088	61,211	16,355	4,333	7,628	52,804	9,381	976,754	2020-01-21 13:51
221,833	43,695	54,475	74,108	2,274	2,459	55926,603	55336,087	54,935	16,146	4,117	7,619	52,929	9,392	976,661	2020-01-21 13:52
222,167	43,597	54,452	74,027	2,278	2,459	56186,671	55170,983	73,843	16,605	3,499	7,696	52,704	9,372	976,660	2020-01-21 13:52
222,500	43,547	54,385	74,114	2,273	2,457	56031,463	55571,025	71,355	16,972	3,409	7,660	52,653	9,368	976,566	2020-01-21 13:52
222,834	43,493	54,360	74,127	2,274	2,460	56169,110	55747,281	68,604	16,801	3,812	7,622	52,528	9,357	976,475	2020-01-21 13:53
223,167	43,453	54,323	74,098	2,280	2,465	56365,259	55893,158	75,589	16,035	4,435	7,678	52,682	9,370	976,348	2020-01-21 13:53
223,500	43,369	54,309	73,887	2,276	2,460	56512,120	55219,760	65,996	15,911	4,095	7,702	53,195	9,416	976,348	2020-01-21 13:53
223,834	43,274	54,250	74,149	2,274	2,460	56672,326	56129,306	52,249	15,773	4,738	7,765	52,518	9,356	976,255	2020-01-21 13:54
224,167	43,243	54,195	74,107	2,278	2,461	56702,741	56193,414	55,591	15,711	4,832	7,736	52,526	9,356	976,255	2020-01-21 13:54
224,500	43,246	54,175	74,073	2,275	2,462	56594,217	56177,333	58,283	16,265	3,978	7,732	52,605	9,364	976,161	2020-01-21 13:54
224,834	43,273	54,153	74,097	2,274	2,459	56378,420	56221,486	69,314	16,306	3,869	7,693	52,783	9,379	976,067	2020-01-21 13:55
225,167	43,276	54,157	74,100	2,274	2,460	56391,483	56253,549	66,041	16,261	4,029	7,666	52,671	9,369	975,974	2020-01-21 13:55
225,500	43,234	54,168	74,073	2,276	2,462	56525,960	56187,497	102,279	16,893	3,696	7,701	53,069	9,405	975,974	2020-01-21 13:55
225,834	43,201	54,142	74,029	2,275	2,460	56541,692	56093,303	78,760	16,933	3,690	7,741	52,498	9,354	975,849	2020-01-21 13:56
226,167	43,188	54,111	73,952	2,277	2,459	56533,505	55941,789	75,894	15,880	4,280	7,722	52,692	9,371	975,849	2020-01-21 13:56
226,500	43,181	54,093	73,848	2,276	2,461	56452,863	55750,117	61,556	16,098	4,216	7,730	52,939	9,393	975,755	2020-01-21 13:56
226,833	43,172	54,064	73,941	2,273	2,458	56386,140	56015,343	122,846	16,877	3,628	7,817	52,980	9,397	975,661	2020-01-21 13:57
227,167	43,165	54,044	73,814	2,277	2,459	56364,453	55733,592	69,007	16,721	3,660	7,717	53,245	9,420	975,661	2020-01-21 13:57
227,500	43,153	54,022	73,795	2,274	2,459	56276,127	55752,779	65,602	16,668	3,722	7,746	52,731	9,375	975,568	2020-01-21 13:57
227,833	43,106	54,011	73,920	2,277	2,458	56446,605	56118,173	71,675	16,424	3,945	7,638	53,069	9,405	975,475	2020-01-21 13:58
228,167	43,074	53,987	73,830	2,273	2,459	56443,023	55939,817	178,662	16,835	3,898	7,724	53,032	9,401	975,474	2020-01-21 13:58
228,500	43,077	53,980	73,822	2,273	2,457	56446,987	55895,773	60,293	16,347	4,063	7,637	52,552	9,359	975,475	2020-01-21 13:58
228,833	43,080	53,971	73,851	2,274	2,457	56458,497	56009,218	66,044	16,411	3,856	7,734	53,053	9,403	975,257	2020-01-21 13:59
229,167	43,081	53,977	73,882	2,277	2,460	56532,958	56141,924	57,230	16,368	3,992	7,708	53,307	9,426	975,163	2020-01-21 13:59
229,500	43,010	53,976	73,792	2,275	2,464	56635,535	55980,654	60,286	16,420	4,184	7,571	52,754	9,377	975,163	2020-01-21 13:59
229,833	42,910	53,946	73,862	2,278	2,464	56911,057	56258,241	47,283	15,976	4,353	7,672	52,632	9,366	975,069	2020-01-21 14:00
230,167	42,867	53,883	73,787	2,273	2,459	56800,333	56133,759	55,230	16,580	3,624	7,602	52,981	9,397	974,998	2020-01-21 14:00
230,500	42,845	53,833	73,843	2,273	2,457	56754,105	56377,829	71,501	16,671	3,604	7,674	52,530	9,357	974,976	2020-01-21 14:00
230,834	42,841	53,810	73,847	2,275	2,460	56812,629	56532,099	78,014	17,175	3,494	7,628	52,750	9,376	974,850	2020-01-21 14:01
231,167	42,850	53,803	73,744	2,271	2,457	56715,776	56185,323	53,434	16,090	4,251	7,752	52,638	9,366	974,851	2020-01-21 14:01
231,500	42,842	53,811	73,690	2,274	2,458	56738,892	56042,531	67,313	16,057	3,939	7,642	52,777	9,379	974,757	2020-01-21 14:01
231,834	42,834	53,796	73,682	2,276	2,457	56806,774	56031,916	75,829	16,823	3,576	7,691	52,827	9,383	974,662	2020-01-21 14:02
232,167	42,811	53,798	73,667	2,277	2,463	56931,670	56122,524	59,145	16,687	3,940	7,742	53,028	9,401	974,569	2020-01-21 14:02
232,500	42,778	53,771	73,691	2,271	2,458	56824,200	56137,479	56,899	16,439	4,177	7,707	53,135	9,411	974,569	2020-01-21 14:02
232,834	42,770	53,755	73,504	2,277	2,460	56983,505	55717,123	53,839	15,484	4,664	7,736	53,188	9,415	974,477	2020-01-21 14:03
233,167	42,786	53,746	73,602	2,275	2,461	57014,595	56038,465	151,861	16,424	3,785	7,750	52,967	9,396	974,351	2020-01-21 14:03

Pellematic 56_cat IV_run 2_200121 underlag till rådata PDF.DAT

Category: IV

	301	302	304	305	306	308	317	1311	1312	1313	1314	1315	1316	1317	1318	1101	1102
Mättid	CO chimney	CO2 chimney	Pdyn	Pstat	Static pressure chimney	O2 chimney	Våg	Flue gas temp	Ambient	Flue gas at pitot	filter temp 1	filter temp 2	gas meter temp 1	gas meter temp 2	gasmeter temp ambient		T4 outlet load side
Minuter	VDC	VDC	VDC	VDC	VDC	VDC	VDC	°C	°C	°C	°C	°C	°C	°C	°C	°C	°C
233,500	0,235	0,884	1,320	0,192	0,012	0,109	1,110	131,001	19,833	34,360	25,076	23,804	20,698	20,665	28,973	20,598	64,537
233,833	0,228	0,885	1,319	0,193	0,011	0,104	1,108	131,043	19,765	34,595	25,092	23,801	20,696	20,647	28,971	20,599	64,460
234,167	0,239	0,890	1,312	0,194	0,017	0,098	1,107	131,110	19,781	34,630	25,085	23,809	20,691	20,647	28,975	20,596	64,427
234,500	0,231	0,896	1,312	0,193	0,016	0,114	1,107	131,061	19,790	34,528	25,103	23,807	20,697	20,647	28,985	20,595	64,427
234,833	0,223	0,860	1,326	0,194	0,018	0,132	1,105	131,082	19,757	34,641	25,095	23,809	20,711	20,644	28,984	20,596	64,450
235,167	0,226	0,871	1,324	0,191	0,019	0,111	1,103	131,094	19,775	34,576	25,093	23,806	20,695	20,645	28,989	20,596	64,501
235,500	0,235	0,880	1,318	0,192	0,014	0,118	1,104	131,099	19,823	34,602	25,094	23,809	20,697	20,658	28,987	20,598	64,522
235,833	0,222	0,846	1,316	0,192	0,016	0,152	1,102	131,034	19,819	34,493	25,105	23,827	20,718	20,662	28,994	20,603	64,536
236,167	0,222	0,851	1,311	0,192	0,011	0,137	1,101	130,972	19,803	34,526	25,111	23,840	20,711	20,668	29,019	20,610	64,527
236,500	0,222	0,846	1,322	0,193	0,009	0,138	1,100	130,949	19,740	34,324	25,089	23,817	20,708	20,661	28,996	20,606	64,511
236,833	0,228	0,850	1,310	0,193	0,016	0,132	1,099	130,973	19,816	34,657	25,113	23,830	20,723	20,665	28,993	20,610	64,468
237,167	0,241	0,870	1,322	0,189	0,020	0,115	1,098	131,027	19,842	34,647	25,116	23,831	20,708	20,658	28,992	20,608	64,405
237,500	0,296	0,899	1,325	0,193	0,017	0,091	1,096	131,122	19,787	34,463	25,094	23,832	20,709	20,665	29,001	20,609	64,404
237,834	0,251	0,905	1,329	0,192	0,015	0,095	1,096	131,157	19,832	34,382	25,072	23,832	20,726	20,669	28,996	20,606	64,410
238,167	0,226	0,885	1,317	0,194	0,006	0,112	1,094	131,143	19,840	34,503	25,104	23,843	20,724	20,675	28,996	20,612	64,441
238,500	0,232	0,878	1,316	0,193	0,017	0,123	1,093	131,111	19,799	34,492	25,068	23,816	20,726	20,666	28,988	20,607	64,482
238,834	0,225	0,859	1,322	0,192	0,015	0,135	1,092	131,101	19,835	34,563	25,095	23,839	20,729	20,681	28,991	20,612	64,513
239,167	0,225	0,864	1,322	0,194	0,017	0,120	1,091	131,067	19,868	34,193	25,080	23,834	20,729	20,682	28,992	20,613	64,507
239,500	0,227	0,852	1,318	0,193	0,021	0,140	1,090	131,025	19,862	34,235	25,061	23,837	20,721	20,672	28,978	20,606	64,513
239,834	0,226	0,844	1,322	0,192	0,019	0,148	1,089	131,037	19,897	34,556	25,103	23,860	20,739	20,680	29,007	20,614	64,527
240,167	0,223	0,850	1,326	0,192	0,016	0,136	1,087	131,046	19,877	34,360	25,092	23,851	20,723	20,678	29,013	20,616	64,519
240,500	0,221	0,846	1,326	0,194	0,015	0,138	1,086	131,040	19,799	34,465	25,114	23,861	20,740	20,679	29,015	20,616	64,525
240,833	0,227	0,860	1,313	0,192	0,015	0,118	1,085	131,020	19,829	34,427	25,104	23,847	20,720	20,679	29,025	20,610	64,490
241,167	0,233	0,882	1,319	0,193	0,018	0,112	1,084	131,047	19,849	34,704	25,131	23,872	20,745	20,701	29,064	20,630	64,458
241,500	0,227	0,878	1,323	0,191	0,021	0,127	1,083	130,997	19,804	34,606	25,111	23,851	20,730	20,683	29,058	20,614	64,503
241,833	0,227	0,853	1,321	0,192	0,019	0,134	1,083	130,990	19,737	34,512	25,117	23,852	20,726	20,683	29,063	20,616	64,523
242,167	0,224	0,856	1,320	0,191	0,019	0,126	1,080	130,993	19,797	34,354	25,106	23,851	20,741	20,679	29,067	20,614	64,534
242,500	0,229	0,869	1,323	0,191	0,010	0,123	1,080	131,051	19,829	34,487	25,122	23,862	20,750	20,687	29,083	20,618	64,586
242,833	0,229	0,867	1,324	0,194	0,011	0,130	1,079	131,026	19,854	34,553	25,116	23,861	20,735	20,689	29,084	20,614	64,589
243,167	0,226	0,854	1,321	0,194	0,019	0,134	1,078	131,010	19,804	34,380	25,109	23,861	20,743	20,692	29,070	20,618	64,550
243,500	0,225	0,845	1,318	0,193	0,021	0,135	1,076	131,011	19,815	34,326	25,103	23,877	20,743	20,688	29,074	20,618	64,545
243,833	0,229	0,869	1,325	0,193	0,014	0,116	1,075	131,022	19,819	34,358	25,098	23,870	20,741	20,689	29,064	20,614	64,490
244,167	0,227	0,885	1,321	0,193	0,020	0,118	1,075	130,981	19,736	34,558	25,103	23,874	20,749	20,691	29,066	20,618	64,408
244,500	0,226	0,869	1,321	0,193	0,017	0,123	1,073	130,961	19,754	34,445	25,108	23,875	20,753	20,699	29,062	20,619	64,419
244,834	0,224	0,854	1,322	0,192	0,012	0,139	1,072	130,898	19,757	34,278	25,089	23,866	20,745	20,694	29,051	20,615	64,574
245,167	0,220	0,832	1,318	0,192	0,019	0,166	1,072	130,856	19,712	34,433	25,084	23,866	20,753	20,699	29,056	20,618	64,728
245,500	0,219	0,821	1,320	0,194	0,023	0,159	1,070	130,880	19,750	34,325	25,086	23,877	20,761	20,699	29,057	20,618	64,816

Pellematic 56_cat IV_run 2_200121 underlag till rådata PDF.DAT

Category: IV

	1103	1108	1109	130	230	101	102	1	2	3	6	7	8	11	
Mättid	T3 inlet load side	T2 inlet boiler	T1 outlet boiler	Flow load side	Flow boiler side	Heat output load side	Heat output boiler	CO chimney	CO2 chimney	O2 chimney	Pstat	Pdyn	Tunnel velocity	Våg	Tidpunkt
Minuter	°C	°C	°C	m³/h	m³/h	W	W	ppm	%	%	Pa	Pa	m/s	kg	Klockan
233,500	42,775	53,753	73,680	2,272	2,455	56924,607	56097,955	96,891	17,268	3,265	7,693	52,564	9,360	974,351	2020-01-21 14:03
233,833	42,748	53,727	73,651	2,274	2,458	56850,740	56164,237	67,167	17,193	3,107	7,718	52,856	9,386	974,257	2020-01-21 14:04
234,167	42,730	53,713	73,662	2,274	2,460	56810,139	56287,055	80,806	17,177	2,943	7,771	52,471	9,352	974,163	2020-01-21 14:04
234,500	42,785	53,714	73,705	2,274	2,462	56666,490	56443,450	70,120	17,223	3,408	7,713	52,408	9,346	974,163	2020-01-21 14:04
234,833	42,845	53,735	73,601	2,274	2,460	56562,701	56040,660	57,173	16,509	3,959	7,759	53,174	9,414	974,070	2020-01-21 14:05
235,167	42,900	53,784	73,786	2,274	2,461	56556,047	56439,589	74,830	17,070	3,344	7,635	52,767	9,378	973,851	2020-01-21 14:05
235,500	42,918	53,818	73,791	2,274	2,457	56561,325	56276,562	69,200	16,888	3,531	7,685	52,538	9,358	973,977	2020-01-21 14:05
235,833	42,896	53,843	73,751	2,274	2,461	56659,951	56185,080	56,895	15,703	4,551	7,670	52,508	9,355	973,851	2020-01-21 14:06
236,167	42,875	53,843	73,753	2,275	2,464	56707,810	56244,423	60,537	16,572	4,114	7,669	52,665	9,369	973,757	2020-01-21 14:06
236,500	42,823	53,804	73,653	2,275	2,460	56802,690	55989,823	54,367	16,213	4,125	7,731	52,987	9,397	973,757	2020-01-21 14:06
236,833	42,802	53,771	73,660	2,271	2,462	56654,311	56150,109	65,206	16,134	3,965	7,734	52,374	9,343	973,663	2020-01-21 14:07
237,167	42,791	53,735	73,667	2,274	2,459	56598,748	56200,858	141,171	16,784	3,437	7,568	52,789	9,380	973,569	2020-01-21 14:07
237,500	42,820	53,722	73,632	2,271	2,457	56432,902	56092,201	393,884	17,703	2,727	7,704	52,931	9,392	973,477	2020-01-21 14:07
237,834	42,900	53,745	73,748	2,273	2,457	56278,487	56356,898	90,131	17,571	2,860	7,695	53,035	9,402	973,477	2020-01-21 14:08
238,167	42,914	53,780	73,687	2,276	2,460	56396,009	56153,912	62,648	16,927	3,353	7,771	52,656	9,368	973,347	2020-01-21 14:08
238,500	42,957	53,811	73,797	2,276	2,460	56390,774	56382,777	77,944	16,781	3,696	7,705	52,759	9,377	973,253	2020-01-21 14:08
238,834	42,870	53,849	73,740	2,274	2,462	56668,030	56155,381	66,372	16,461	4,056	7,689	52,907	9,390	973,253	2020-01-21 14:09
239,167	42,890	53,830	73,802	2,276	2,458	56632,517	56301,211	62,787	16,874	3,612	7,755	52,857	9,386	973,159	2020-01-21 14:09
239,500	42,915	53,833	73,675	2,276	2,458	56582,222	55922,878	67,103	15,948	4,197	7,724	52,655	9,368	973,065	2020-01-21 14:09
239,834	42,940	53,849	73,677	2,274	2,459	56517,644	55908,020	67,435	15,905	4,439	7,688	52,836	9,384	973,065	2020-01-21 14:10
240,167	42,973	53,851	73,862	2,276	2,462	56448,375	56487,938	64,780	16,536	4,086	7,682	52,964	9,395	972,847	2020-01-21 14:10
240,500	42,963	53,879	73,682	2,274	2,462	56458,244	55907,827	55,365	16,137	4,137	7,765	52,992	9,398	972,846	2020-01-21 14:10
240,833	42,977	53,865	73,814	2,275	2,457	56354,792	56203,798	62,828	16,578	3,546	7,690	52,553	9,359	972,752	2020-01-21 14:11
241,167	43,077	53,856	73,740	2,274	2,459	55974,852	56054,449	94,682	16,979	3,364	7,734	52,751	9,376	972,752	2020-01-21 14:11
241,500	43,116	53,897	73,527	2,275	2,459	56016,611	55341,303	69,760	16,897	3,799	7,643	53,147	9,412	972,753	2020-01-21 14:11
241,833	43,074	53,928	73,701	2,275	2,460	56161,457	55770,240	62,326	16,411	4,010	7,666	52,959	9,395	972,659	2020-01-21 14:12
242,167	43,332	53,944	73,658	2,271	2,460	55413,041	55610,498	62,797	16,407	3,777	7,657	53,030	9,401	972,472	2020-01-21 14:12
242,500	43,247	54,046	73,632	2,273	2,458	55836,649	55205,035	79,586	16,663	3,690	7,657	52,887	9,389	972,472	2020-01-21 14:12
242,833	43,141	54,035	73,776	2,273	2,458	56114,314	55638,614	73,141	16,677	3,895	7,777	53,039	9,402	972,347	2020-01-21 14:13
243,167	43,026	53,972	73,881	2,274	2,457	56359,367	56095,527	69,636	16,386	4,017	7,780	52,687	9,371	972,347	2020-01-21 14:13
243,500	42,967	53,917	73,698	2,274	2,459	56483,716	55765,316	63,924	15,917	4,051	7,735	52,798	9,381	972,253	2020-01-21 14:13
243,833	42,701	53,864	73,684	2,273	2,457	57012,265	55836,024	75,245	16,693	3,466	7,702	53,245	9,420	972,159	2020-01-21 14:14
244,167	42,756	53,728	73,721	2,277	2,458	56766,005	56360,719	70,890	17,101	3,540	7,712	52,872	9,387	972,159	2020-01-21 14:14
244,500	43,275	53,742	73,769	2,274	2,460	55353,505	56499,861	67,057	16,863	3,703	7,737	52,874	9,387	972,065	2020-01-21 14:14
244,834	43,661	54,001	73,836	2,275	2,453	54766,551	55794,552	59,879	16,262	4,155	7,686	52,874	9,387	971,973	2020-01-21 14:15
245,167	44,021	54,248	73,769	2,273	2,459	54164,748	55039,972	51,062	15,501	4,967	7,671	52,619	9,365	971,973	2020-01-21 14:15
245,500	44,283	54,470	73,686	2,276	2,458	53766,585	54139,343	50,621	15,721	4,771	7,749	52,753	9,377	971,847	2020-01-21 14:15

Pellematic 56_cat IV_run 2_200121 underlag till rådata PDF.DAT

Category: IV

	301	302	304	305	306	308	317	1311	1312	1313	1314	1315	1316	1317	1318	1101	1102
Mättid	CO chimney	CO2 chimney	Pdyn	Pstat	Static pressure chimney	O2 chimney	Våg	Flue gas temp	Ambient	Flue gas at pitot	filter temp 1	filter temp 2	gas meter temp 1	gas meter temp 2	gasmeter temp ambient		T4 outlet load side
Minuter	VDC	VDC	VDC	VDC	VDC	VDC	VDC	°C	°C	°C	°C	°C	°C	°C	°C	°C	°C
245,834	0,221	0,831	1,325	0,194	0,014	0,151	1,069	130,854	19,771	34,431	25,086	23,877	20,756	20,696	29,055	20,618	64,912
246,167	0,222	0,837	1,315	0,194	0,012	0,138	1,068	130,922	19,745	34,565	25,107	23,878	20,755	20,706	29,048	20,621	64,915
246,500	0,224	0,861	1,315	0,193	0,011	0,129	1,067	130,962	19,779	34,609	25,114	23,885	20,744	20,702	29,033	20,620	64,923
246,834	0,248	0,882	1,313	0,194	0,018	0,102	1,065	130,987	19,805	34,415	25,097	23,889	20,763	20,711	29,048	20,626	64,958
247,167	0,228	0,885	1,323	0,193	0,020	0,116	1,064	130,990	19,847	34,435	25,101	23,900	20,770	20,720	29,056	20,629	64,964
247,500	0,231	0,870	1,313	0,191	0,022	0,111	1,062	131,046	19,879	34,514	25,110	23,891	20,761	20,702	29,076	20,620	64,969
247,833	0,230	0,883	1,321	0,194	0,012	0,120	1,062	131,035	19,878	34,503	25,101	23,898	20,770	20,704	29,064	20,621	65,020
248,167	0,222	0,872	1,322	0,192	0,012	0,118	1,061	131,016	19,854	34,538	25,099	23,881	20,768	20,706	29,061	20,625	65,056
248,500	0,223	0,869	1,319	0,192	0,019	0,128	1,059	131,011	19,845	34,456	25,080	23,898	20,766	20,704	29,057	20,625	65,084
248,833	0,221	0,847	1,329	0,192	0,015	0,145	1,059	131,005	19,870	34,556	25,092	23,892	20,766	20,711	29,046	20,627	65,094
249,167	0,220	0,822	1,321	0,193	0,022	0,168	1,057	130,953	19,876	34,431	25,081	23,891	20,769	20,702	29,053	20,626	65,094
249,500	0,218	0,823	1,314	0,192	0,022	0,162	1,056	130,931	19,867	34,442	25,079	23,895	20,770	20,699	29,037	20,624	65,072
249,833	0,222	0,837	1,322	0,193	0,015	0,132	1,056	131,027	19,873	34,325	25,094	23,892	20,770	20,711	29,066	20,632	65,034
250,167	0,236	0,877	1,320	0,193	0,018	0,105	1,054	131,068	19,837	34,319	25,096	23,899	20,786	20,712	29,063	20,632	65,023
250,500	0,278	0,891	1,317	0,193	0,019	0,104	1,053	131,149	19,844	34,520	25,097	23,901	20,780	20,705	29,061	20,630	65,024
250,833	0,244	0,894	1,323	0,192	0,018	0,100	1,052	131,198	19,845	34,552	25,108	23,904	20,765	20,695	29,074	20,627	65,045
251,167	0,252	0,894	1,322	0,191	0,019	0,106	1,051	131,228	19,875	34,637	25,108	23,895	20,774	20,703	29,106	20,632	65,016
251,500	0,273	0,879	1,320	0,192	0,022	0,107	1,050	131,233	19,888	34,564	25,101	23,895	20,768	20,706	29,094	20,626	65,032
251,834	0,344	0,895	1,325	0,190	0,015	0,096	1,048	131,284	19,846	34,597	25,125	23,900	20,776	20,714	29,097	20,630	65,028
252,167	0,254	0,892	1,332	0,192	0,017	0,117	1,048	131,306	19,827	34,162	25,101	23,893	20,775	20,707	29,109	20,629	65,028
252,500	0,227	0,859	1,317	0,192	0,015	0,121	1,046	131,377	19,878	34,738	25,147	23,910	20,787	20,710	29,117	20,631	65,063
252,834	0,233	0,884	1,325	0,191	0,011	0,101	1,044	131,405	19,898	34,841	25,131	23,902	20,787	20,711	29,109	20,629	65,088
253,167	0,240	0,888	1,324	0,194	0,017	0,120	1,044	131,394	19,913	34,474	25,134	23,901	20,789	20,720	29,112	20,635	65,075
253,500	0,227	0,861	1,315	0,190	0,021	0,131	1,042	131,396	19,844	34,514	25,123	23,900	20,799	20,729	29,125	20,645	65,104
253,834	0,226	0,859	1,323	0,193	0,018	0,131	1,042	131,347	19,826	34,283	25,098	23,876	20,799	20,714	29,093	20,633	65,126
254,167	0,228	0,848	1,324	0,193	0,021	0,130	1,041	131,339	19,871	34,183	25,091	23,874	20,792	20,720	29,088	20,631	65,089
254,500	0,227	0,873	1,326	0,195	0,015	0,125	1,040	131,350	19,882	34,371	25,090	23,880	20,787	20,717	29,093	20,631	65,082
254,833	0,226	0,858	1,318	0,193	0,019	0,133	1,038	131,332	19,849	34,646	25,105	23,890	20,801	20,720	29,111	20,637	65,084
255,167	0,223	0,846	1,322	0,192	0,014	0,146	1,038	131,296	19,812	34,406	25,091	23,886	20,804	20,730	29,124	20,637	65,069
255,500	0,223	0,838	1,323	0,191	0,014	0,139	1,036	131,314	19,875	34,612	25,112	23,897	20,790	20,729	29,102	20,633	65,090
255,833	0,231	0,865	1,321	0,190	0,012	0,120	1,035	131,304	19,896	34,741	25,122	23,910	20,798	20,723	29,099	20,633	65,100
256,167	0,231	0,867	1,319	0,189	0,020	0,136	1,035	131,308	19,912	34,717	25,130	23,910	20,794	20,732	29,119	20,639	65,066
256,500	0,226	0,846	1,314	0,193	0,021	0,136	1,033	131,324	19,872	34,710	25,128	23,912	20,807	20,741	29,110	20,638	65,054
256,833	0,230	0,865	1,321	0,193	0,022	0,124	1,032	131,317	19,817	34,658	25,122	23,911	20,800	20,731	29,109	20,640	65,055
257,167	0,224	0,849	1,316	0,191	0,016	0,141	1,032	131,352	19,757	34,609	25,132	23,909	20,814	20,733	29,106	20,643	65,024
257,500	0,222	0,861	1,312	0,191	0,016	0,123	1,030	131,375	19,815	34,709	25,139	23,912	20,795	20,735	29,100	20,636	65,026
257,833	0,224	0,878	1,318	0,190	0,013	0,106	1,029	131,417	19,840	34,800	25,134	23,918	20,806	20,729	29,095	20,641	65,010

Pellematic 56_cat IV_run 2_200121 underlag till rådata PDF.DAT

Category: IV

	1103	1108	1109	130	230	101	102	1	2	3	6	7	8	11	
Mättid	T3 inlet load side	T2 inlet boiler	T1 outlet boiler	Flow load side	Flow boiler side	Heat output load side	Heat output boiler	CO chimney	CO2 chimney	O2 chimney	Pstat	Pdyn	Tunnel velocity	Våg	Tidpunkt
Minuter	°C	°C	°C	m³/h	m³/h	W	W	ppm	%	%	Pa	Pa	m/s	kg	Klockan
245,834	44,286	54,626	73,674	2,276	2,460	54020,298	53705,345	57,570	15,883	4,525	7,769	52,990	9,398	971,753	2020-01-21 14:16
246,167	44,338	54,667	73,720	2,277	2,457	53902,057	53665,511	58,451	16,001	4,150	7,773	52,404	9,346	971,754	2020-01-21 14:16
246,500	44,441	54,670	73,705	2,277	2,460	53664,207	53680,496	62,901	16,518	3,868	7,718	52,690	9,371	971,659	2020-01-21 14:16
246,834	44,323	54,738	73,717	2,274	2,460	53997,145	53520,923	183,394	17,532	3,052	7,768	52,695	9,372	971,565	2020-01-21 14:17
247,167	44,202	54,700	73,702	2,277	2,460	54400,144	53586,387	68,445	17,061	3,494	7,732	52,868	9,387	971,473	2020-01-21 14:17
247,500	44,255	54,648	73,789	2,275	2,461	54236,369	53989,048	76,677	16,770	3,320	7,637	52,563	9,360	971,349	2020-01-21 14:17
247,833	44,181	54,693	73,833	2,274	2,459	54535,277	53941,666	71,440	16,895	3,590	7,745	53,059	9,404	971,350	2020-01-21 14:18
248,167	44,086	54,660	73,925	2,273	2,456	54845,584	54239,043	59,426	17,023	3,536	7,688	52,915	9,391	971,255	2020-01-21 14:18
248,500	43,949	54,642	73,957	2,276	2,459	55351,531	54451,758	60,469	16,679	3,849	7,689	52,814	9,382	971,161	2020-01-21 14:18
248,833	43,795	54,595	74,111	2,273	2,459	55709,215	55002,813	55,601	16,011	4,344	7,661	53,202	9,416	971,161	2020-01-21 14:19
249,167	43,686	54,527	74,208	2,273	2,459	55999,984	55480,573	51,545	15,237	5,040	7,727	52,746	9,376	971,067	2020-01-21 14:19
249,500	43,568	54,480	74,088	2,273	2,457	56258,904	55223,124	49,890	15,681	4,861	7,688	52,476	9,352	970,975	2020-01-21 14:19
249,833	43,529	54,401	74,120	2,275	2,459	56321,066	55580,741	67,010	16,313	3,948	7,736	52,819	9,382	970,975	2020-01-21 14:20
250,167	43,543	54,376	74,193	2,275	2,462	56259,937	55932,920	81,039	17,069	3,158	7,705	52,664	9,369	970,849	2020-01-21 14:20
250,500	43,531	54,364	74,323	2,274	2,455	56262,342	56180,426	277,963	17,265	3,130	7,717	52,744	9,376	970,755	2020-01-21 14:20
250,833	43,494	54,362	74,259	2,274	2,459	56412,562	56084,399	115,082	17,446	2,996	7,685	52,853	9,386	970,755	2020-01-21 14:21
251,167	43,417	54,343	74,195	2,277	2,459	56598,460	55956,618	148,612	17,326	3,187	7,659	52,825	9,383	970,661	2020-01-21 14:21
251,500	43,258	54,309	74,285	2,272	2,459	56941,256	56326,029	127,150	16,933	3,220	7,696	52,766	9,378	970,567	2020-01-21 14:21
251,834	43,188	54,244	74,289	2,273	2,456	57141,321	56450,020	504,500	17,447	2,877	7,600	53,127	9,410	970,475	2020-01-21 14:22
252,167	43,190	54,203	74,448	2,274	2,459	57171,021	57069,428	98,484	17,149	3,521	7,689	53,226	9,419	970,474	2020-01-21 14:22
252,500	43,218	54,223	74,403	2,273	2,457	57150,817	56855,614	67,720	16,525	3,635	7,686	52,669	9,369	970,349	2020-01-21 14:22
252,834	43,228	54,229	74,367	2,271	2,457	57155,781	56722,638	75,694	17,101	3,032	7,639	52,938	9,393	970,255	2020-01-21 14:23
253,167	43,235	54,240	74,385	2,274	2,455	57176,407	56702,034	76,963	16,929	3,601	7,765	52,865	9,387	970,255	2020-01-21 14:23
253,500	43,217	54,245	74,379	2,273	2,457	57259,651	56710,392	71,097	16,601	3,942	7,616	52,556	9,359	970,079	2020-01-21 14:23
253,834	43,175	54,231	74,334	2,273	2,455	57428,419	56586,127	70,377	16,613	3,936	7,709	52,916	9,391	970,068	2020-01-21 14:24
254,167	43,176	54,215	74,320	2,274	2,461	57356,848	56729,790	69,115	16,174	3,896	7,702	52,941	9,393	970,068	2020-01-21 14:24
254,500	43,210	54,208	74,290	2,272	2,459	57195,402	56612,060	73,396	16,797	3,749	7,791	53,087	9,406	969,975	2020-01-21 14:24
254,833	43,263	54,220	74,374	2,273	2,454	57109,319	56695,990	69,867	16,563	3,995	7,719	52,633	9,366	969,849	2020-01-21 14:25
255,167	43,374	54,230	74,344	2,276	2,457	56845,779	56657,980	58,211	16,039	4,386	7,693	52,805	9,381	969,849	2020-01-21 14:25
255,500	43,481	54,286	74,383	2,276	2,459	56610,726	56653,364	58,638	15,941	4,172	7,633	53,147	9,412	969,755	2020-01-21 14:25
255,833	43,507	54,346	74,117	2,274	2,457	56511,462	55691,115	94,201	16,769	3,598	7,599	52,872	9,387	969,662	2020-01-21 14:26
256,167	43,518	54,368	74,262	2,274	2,460	56408,182	56111,217	79,876	16,605	4,079	7,579	52,735	9,375	969,662	2020-01-21 14:26
256,500	43,550	54,369	74,131	2,277	2,460	56356,461	55735,116	71,710	16,282	4,075	7,717	52,484	9,353	969,568	2020-01-21 14:26
256,833	43,517	54,376	74,183	2,274	2,459	56376,966	55836,867	64,230	16,722	3,722	7,722	52,964	9,395	969,475	2020-01-21 14:27
257,167	43,455	54,346	74,211	2,277	2,458	56535,283	55982,246	62,999	16,047	4,239	7,646	52,703	9,372	969,475	2020-01-21 14:27
257,500	43,442	54,311	74,145	2,277	2,458	56559,202	55886,026	59,027	16,727	3,696	7,626	52,684	9,370	969,347	2020-01-21 14:27
257,833	43,442	54,295	74,243	2,276	2,458	56502,410	56225,038	61,477	17,097	3,192	7,583	52,907	9,390	969,253	2020-01-21 14:28

Pellematic 56_cat IV_run 2_200121 underlag till rådata PDF.DAT

Category: IV

	301	302	304	305	306	308	317	1311	1312	1313	1314	1315	1316	1317	1318	1101	1102
Mättid	CO chimney	CO2 chimney	Pdyn	Pstat	Static pressure chimney	O2 chimney	Våg	Flue gas temp	Ambient	Flue gas at pitot	filter temp 1	filter temp 2	gas meter temp 1	gas meter temp 2	gasmeter temp ambient		T4 outlet load side
Minuter	VDC	VDC	VDC	VDC	VDC	VDC	VDC	°C	°C	°C	°C	°C	°C	°C	°C	°C	°C
258,167	0,297	0,893	1,323	0,192	0,012	0,090	1,028	131,471	19,823	34,923	25,151	23,908	20,797	20,723	29,095	20,633	65,030
258,500	0,491	0,910	1,325	0,191	0,014	0,097	1,027	131,505	19,796	34,734	25,147	23,899	20,797	20,733	29,092	20,636	65,030
258,834	0,252	0,888	1,315	0,192	0,013	0,106	1,025	131,538	19,807	34,604	25,143	23,899	20,801	20,723	29,093	20,636	65,033
259,167	0,285	0,895	1,321	0,194	0,009	0,100	1,024	131,590	19,789	34,448	25,135	23,887	20,803	20,728	29,086	20,641	65,063
259,500	0,232	0,865	1,320	0,193	0,017	0,128	1,023	131,563	19,814	34,687	25,159	23,911	20,815	20,737	29,118	20,646	65,065
259,834	0,225	0,862	1,309	0,190	0,021	0,130	1,022	131,523	19,818	34,476	25,137	23,897	20,810	20,724	29,111	20,637	65,079
260,167	0,225	0,860	1,312	0,194	0,021	0,134	1,021	131,492	19,765	34,482	25,133	23,884	20,807	20,722	29,104	20,635	65,112
260,500	0,224	0,861	1,317	0,193	0,018	0,115	1,019	131,536	19,866	34,498	25,142	23,903	20,836	20,741	29,140	20,655	65,102
260,833	0,228	0,876	1,321	0,194	0,018	0,123	1,019	131,530	19,911	34,501	25,133	23,912	20,838	20,754	29,149	20,661	65,080
261,167	0,224	0,845	1,319	0,193	0,016	0,152	1,017	131,432	19,845	34,483	25,109	23,885	20,818	20,734	29,120	20,643	65,046
261,500	0,221	0,840	1,320	0,194	0,012	0,140	1,016	131,429	19,856	34,369	25,109	23,884	20,822	20,723	29,121	20,647	65,027
261,833	0,224	0,854	1,323	0,194	0,015	0,135	1,015	131,427	19,868	34,604	25,105	23,888	20,829	20,715	29,092	20,642	65,013
262,167	0,222	0,840	1,322	0,193	0,014	0,148	1,014	131,388	19,860	34,280	25,108	23,888	20,820	20,724	29,092	20,643	64,984
262,500	0,221	0,840	1,324	0,191	0,010	0,153	1,014	131,339	19,840	34,416	25,093	23,872	20,811	20,737	29,101	20,643	64,945
262,833	0,223	0,825	1,314	0,194	0,017	0,162	1,013	131,296	19,822	34,502	25,120	23,883	20,845	20,741	29,119	20,657	64,940
263,167	0,224	0,818	1,329	0,195	0,021	0,166	1,012	131,252	19,789	34,478	25,117	23,873	20,819	20,722	29,109	20,647	64,895
263,500	0,224	0,820	1,330	0,194	0,020	0,157	1,011	131,204	19,747	34,376	25,094	23,863	20,818	20,722	29,086	20,635	64,836
263,833	0,223	0,824	1,326	0,194	0,021	0,162	1,010	131,105	19,814	34,239	25,116	23,879	20,836	20,735	29,092	20,649	64,807
264,167	0,222	0,840	1,321	0,194	0,013	0,136	1,008	131,113	19,845	34,381	25,102	23,883	20,828	20,734	29,081	20,642	64,749
264,500	0,227	0,865	1,326	0,194	0,022	0,109	1,007	131,142	19,810	34,568	25,104	23,871	20,815	20,728	29,062	20,637	64,736
264,834	0,239	0,895	1,322	0,191	0,017	0,104	1,006	131,214	19,863	34,673	25,122	23,874	20,828	20,737	29,073	20,643	64,678
265,167	0,233	0,884	1,328	0,193	0,016	0,111	1,005	131,254	19,846	34,394	25,121	23,873	20,837	20,736	29,072	20,648	64,668
265,500	0,244	0,892	1,318	0,191	0,018	0,101	1,004	131,254	19,813	34,684	25,130	23,871	20,822	20,730	29,083	20,644	64,640
265,834	0,233	0,871	1,324	0,192	0,009	0,129	1,003	131,223	19,901	34,492	25,113	23,872	20,835	20,735	29,079	20,649	64,640
266,167	0,219	0,844	1,322	0,193	0,018	0,145	1,001	131,163	19,895	34,145	25,095	23,875	20,830	20,733	29,092	20,646	64,652
266,500	0,220	0,847	1,322	0,191	0,016	0,139	1,000	131,159	19,908	34,173	25,112	23,872	20,829	20,732	29,098	20,650	64,673
266,834	0,238	0,870	1,326	0,192	0,014	0,114	1,000	131,163	19,886	34,688	25,115	23,890	20,847	20,740	29,109	20,649	64,670
267,167	0,232	0,869	1,314	0,194	0,019	0,121	0,999	131,146	19,886	34,776	25,137	23,881	20,835	20,740	29,111	20,649	64,654
267,500	0,226	0,856	1,318	0,191	0,019	0,135	0,998	131,119	19,923	34,518	25,132	23,879	20,850	20,733	29,108	20,647	64,645
267,833	0,227	0,856	1,329	0,193	0,021	0,141	0,996	131,103	19,931	34,315	25,142	23,887	20,834	20,726	29,108	20,649	64,658
268,167	0,224	0,842	1,315	0,193	0,019	0,141	0,995	131,117	19,921	34,335	25,127	23,878	20,833	20,723	29,090	20,641	64,656
268,500	0,225	0,854	1,323	0,191	0,014	0,131	0,994	131,090	19,925	34,497	25,130	23,885	20,843	20,730	29,074	20,653	64,648
268,833	0,231	0,851	1,324	0,194	0,017	0,130	0,993	131,105	19,942	34,662	25,161	23,904	20,864	20,749	29,091	20,669	64,649
269,167	0,239	0,872	1,324	0,194	0,014	0,122	0,992	131,114	19,848	34,540	25,129	23,898	20,857	20,737	29,060	20,660	64,645
269,500	0,229	0,864	1,325	0,194	0,020	0,132	0,991	131,127	19,814	34,357	25,128	23,894	20,854	20,734	29,072	20,659	64,662
269,833	0,227	0,849	1,323	0,196	0,014	0,133	0,990	131,141	19,860	34,465	25,139	23,906	20,855	20,743	29,069	20,667	64,676
270,167	0,230	0,859	1,322	0,192	0,015	0,128	0,988	131,145	19,822	34,369	25,106	23,887	20,850	20,716	29,048	20,652	64,666

Pellematic 56_cat IV_run 2_200121 underlag till rådata PDF.DAT

Category: IV

	1103	1108	1109	130	230	101	102	1	2	3	6	7	8	11	
Mättid	T3 inlet load side	T2 inlet boiler	T1 outlet boiler	Flow load side	Flow boiler side	Heat output load side	Heat output boiler	CO chimney	CO2 chimney	O2 chimney	Pstat	Pdyn	Tunnel velocity	Våg	Tidpunkt
Minuter	°C	°C	°C	m³/h	m³/h	W	W	ppm	%	%	Pa	Pa	m/s	kg	Klockan
258,167	43,446	54,287	74,149	2,277	2,457	56576,127	55949,786	138,237	17,364	2,704	7,699	52,955	9,395	969,253	2020-01-21 14:28
258,500	43,418	54,280	74,298	2,277	2,453	56648,961	56310,323	624,286	17,619	2,910	7,647	52,721	9,374	969,159	2020-01-21 14:28
258,834	43,365	54,287	74,398	2,271	2,455	56648,056	56612,409	110,538	17,269	3,172	7,686	52,598	9,363	969,065	2020-01-21 14:29
259,167	43,374	54,303	74,437	2,277	2,460	56852,399	56794,963	250,974	17,546	3,011	7,767	52,802	9,381	968,972	2020-01-21 14:29
259,500	43,412	54,304	74,378	2,276	2,457	56720,032	56547,723	68,953	16,287	3,851	7,713	52,631	9,366	968,846	2020-01-21 14:29
259,834	43,414	54,324	74,404	2,277	2,458	56781,612	56588,047	60,284	16,510	3,906	7,618	52,424	9,347	968,846	2020-01-21 14:30
260,167	43,387	54,336	74,323	2,274	2,457	56871,137	56295,033	69,481	16,553	4,005	7,745	52,448	9,349	968,752	2020-01-21 14:30
260,500	43,371	54,334	74,248	2,276	2,458	56925,857	56110,917	65,089	16,797	3,464	7,714	52,923	9,392	968,659	2020-01-21 14:30
260,833	43,354	54,311	74,389	2,276	2,459	56910,912	56600,464	66,347	16,692	3,693	7,744	52,846	9,385	968,658	2020-01-21 14:31
261,167	43,333	54,307	74,257	2,279	2,460	56967,599	56274,505	67,306	15,854	4,573	7,702	52,835	9,384	968,565	2020-01-21 14:31
261,500	43,315	54,280	74,234	2,276	2,455	56894,080	56167,544	58,464	16,242	4,191	7,749	52,992	9,398	968,472	2020-01-21 14:31
261,833	43,300	54,266	74,345	2,276	2,457	56885,978	56562,815	63,916	16,450	4,039	7,776	53,003	9,399	968,472	2020-01-21 14:32
262,167	43,291	54,238	74,293	2,278	2,457	56894,591	56496,064	59,965	15,831	4,449	7,706	53,027	9,401	968,347	2020-01-21 14:32
262,500	43,276	54,228	74,178	2,277	2,457	56799,414	56194,335	54,525	15,936	4,585	7,631	52,999	9,398	968,347	2020-01-21 14:32
262,833	43,265	54,209	74,188	2,275	2,457	56774,885	56286,856	57,957	15,652	4,860	7,748	52,533	9,357	968,347	2020-01-21 14:33
263,167	43,248	54,193	74,100	2,277	2,460	56748,382	56141,155	59,424	15,391	4,983	7,791	53,239	9,420	968,253	2020-01-21 14:33
263,500	43,268	54,156	74,056	2,275	2,459	56490,102	56114,627	65,099	15,618	4,722	7,760	53,127	9,410	968,159	2020-01-21 14:33
263,833	43,270	54,150	73,988	2,275	2,455	56390,408	55844,737	59,726	15,454	4,856	7,760	52,920	9,392	968,065	2020-01-21 14:34
264,167	43,270	54,130	74,029	2,280	2,459	56375,087	56108,008	56,335	16,334	4,074	7,745	52,926	9,392	967,972	2020-01-21 14:34
264,500	43,252	54,122	73,831	2,278	2,460	56326,775	55589,744	71,802	16,788	3,284	7,771	52,873	9,387	967,847	2020-01-21 14:34
264,834	43,235	54,090	73,781	2,279	2,457	56266,665	55470,656	72,473	17,299	3,119	7,659	52,850	9,385	967,847	2020-01-21 14:35
265,167	43,237	54,075	73,907	2,276	2,457	56144,943	55869,455	108,739	17,086	3,327	7,734	52,992	9,398	967,753	2020-01-21 14:35
265,500	43,249	54,069	73,768	2,280	2,460	56137,359	55570,822	130,132	17,562	3,035	7,621	52,682	9,370	967,753	2020-01-21 14:35
265,834	43,271	54,054	73,916	2,279	2,457	56048,247	55954,458	83,006	16,518	3,884	7,690	53,018	9,400	967,659	2020-01-21 14:36
266,167	43,297	54,073	73,984	2,279	2,459	56010,430	56127,858	45,612	15,941	4,342	7,718	52,909	9,391	967,565	2020-01-21 14:36
266,500	43,323	54,090	73,949	2,277	2,457	55965,205	55946,749	55,713	16,217	4,166	7,650	52,934	9,393	967,473	2020-01-21 14:36
266,834	43,306	54,114	73,945	2,276	2,455	55963,722	55826,702	137,576	17,167	3,433	7,685	52,958	9,395	967,473	2020-01-21 14:37
267,167	43,279	54,090	73,889	2,278	2,455	56045,242	55734,909	75,878	16,735	3,633	7,762	52,438	9,349	967,349	2020-01-21 14:37
267,500	43,289	54,073	73,769	2,278	2,456	55992,279	55454,179	59,132	16,190	4,062	7,632	52,737	9,375	967,349	2020-01-21 14:37
267,833	43,320	54,089	73,839	2,277	2,458	55930,142	55668,991	80,725	16,373	4,223	7,722	53,217	9,418	967,255	2020-01-21 14:38
268,167	43,327	54,097	73,759	2,277	2,455	55905,370	55349,688	65,250	16,195	4,219	7,730	52,724	9,374	967,161	2020-01-21 14:38
268,500	43,336	54,100	73,907	2,274	2,457	55792,729	55797,379	59,569	16,411	3,932	7,642	53,020	9,400	967,068	2020-01-21 14:38
268,833	43,346	54,101	73,879	2,280	2,459	55905,551	55754,809	80,774	16,108	3,902	7,774	53,039	9,402	967,068	2020-01-21 14:39
269,167	43,374	54,112	73,752	2,279	2,458	55790,269	55352,550	109,887	16,793	3,667	7,755	52,842	9,385	966,975	2020-01-21 14:39
269,500	43,411	54,120	73,777	2,277	2,457	55700,885	55387,024	68,975	16,589	3,956	7,747	52,984	9,397	966,849	2020-01-21 14:39
269,833	43,430	54,150	73,804	2,277	2,456	55677,868	55344,858	66,005	16,211	3,994	7,821	52,913	9,391	966,849	2020-01-21 14:40
270,167	43,431	54,158	73,901	2,280	2,458	55724,678	55633,786	78,031	16,361	3,831	7,686	52,776	9,379	966,754	2020-01-21 14:40

Pellematic 56_cat IV_run 2_200121 underlag till rådata PDF.DAT

Category: IV

	301	302	304	305	306	308	317	1311	1312	1313	1314	1315	1316	1317	1318	1101	1102
Mättid	CO chimney	CO2 chimney	Pdyn	Pstat	Static pressure chimney	O2 chimney	Våg	Flue gas temp	Ambient	Flue gas at pitot	filter temp 1	filter temp 2	gas meter temp 1	gas meter temp 2	gasmeter temp ambient		T4 outlet load side
Minuter	VDC	VDC	VDC	VDC	VDC	VDC	VDC	°C	°C	°C	°C	°C	°C	°C	°C	°C	°C
270,500	0,229	0,866	1,319	0,193	0,018	0,133	0,987	131,111	19,811	34,440	25,109	23,877	20,842	20,718	29,053	20,653	64,675
270,833	0,228	0,860	1,321	0,193	0,014	0,122	0,987	131,140	19,811	34,664	25,135	23,910	20,857	20,750	29,064	20,669	64,672
271,167	0,226	0,866	1,325	0,194	0,014	0,119	0,985	131,204	19,783	34,449	25,136	23,913	20,884	20,765	29,094	20,689	64,627
271,500	0,229	0,868	1,324	0,192	0,016	0,133	0,984	131,170	19,811	34,531	25,116	23,899	20,861	20,739	29,082	20,669	64,560
271,834	0,222	0,834	1,325	0,193	0,019	0,157	0,984	131,154	19,849	34,568	25,124	23,907	20,860	20,735	29,076	20,667	64,505
272,167	0,236	0,849	1,327	0,193	0,018	0,126	0,982	131,152	19,832	34,237	25,108	23,884	20,849	20,729	29,057	20,655	64,503
272,500	0,229	0,864	1,327	0,195	0,016	0,122	0,982	131,185	19,840	34,398	25,097	23,885	20,844	20,730	29,059	20,654	64,503
272,834	0,234	0,873	1,322	0,194	0,012	0,121	0,980	131,214	19,870	34,598	25,119	23,882	20,853	20,728	29,069	20,656	64,470
273,167	0,227	0,866	1,318	0,193	0,013	0,124	0,979	131,195	19,863	34,744	25,108	23,888	20,854	20,725	29,061	20,651	64,421
273,500	0,224	0,871	1,323	0,197	0,016	0,128	0,978	131,197	19,835	34,683	25,129	23,900	20,861	20,729	29,085	20,661	64,382
273,834	0,222	0,847	1,326	0,194	0,015	0,136	0,977	131,192	19,817	34,751	25,140	23,909	20,853	20,739	29,076	20,660	64,360
274,167	0,227	0,861	1,328	0,193	0,017	0,124	0,976	131,241	19,831	34,566	25,132	23,905	20,870	20,732	29,067	20,665	64,327
274,500	0,229	0,870	1,327	0,192	0,018	0,128	0,976	131,195	19,872	34,209	25,120	23,915	20,866	20,749	29,085	20,674	64,318
274,833	0,227	0,858	1,316	0,190	0,011	0,134	0,974	131,157	19,805	34,519	25,120	23,912	20,862	20,749	29,077	20,671	64,292
275,167	0,228	0,857	1,321	0,195	0,012	0,124	0,973	131,164	19,758	34,481	25,117	23,905	20,873	20,746	29,073	20,666	64,308
275,500	0,225	0,850	1,322	0,195	0,012	0,149	0,972	131,102	19,817	34,380	25,096	23,903	20,868	20,743	29,082	20,667	64,276
275,833	0,224	0,829	1,327	0,193	0,017	0,161	0,971	131,054	19,822	34,346	25,101	23,886	20,870	20,738	29,083	20,662	64,200
276,167	0,228	0,841	1,322	0,192	0,017	0,133	0,970	131,079	19,841	34,723	25,127	23,902	20,855	20,730	29,088	20,659	64,175
276,500	0,229	0,853	1,311	0,194	0,017	0,131	0,969	131,078	19,838	34,866	25,152	23,912	20,872	20,749	29,085	20,671	64,155
276,833	0,302	0,871	1,315	0,194	0,011	0,105	0,968	131,087	19,881	34,696	25,145	23,887	20,859	20,731	29,071	20,657	64,134
277,167	0,377	0,881	1,323	0,194	0,011	0,133	0,966	131,052	19,896	34,321	25,122	23,892	20,864	20,725	29,079	20,662	64,100
277,500	0,227	0,843	1,319	0,193	0,016	0,135	0,966	131,067	19,856	34,327	25,114	23,882	20,876	20,741	29,080	20,665	64,093
277,833	0,224	0,859	1,322	0,193	0,018	0,130	0,964	131,043	19,841	34,453	25,101	23,884	20,870	20,734	29,073	20,660	64,093
278,167	0,223	0,847	1,324	0,192	0,019	0,149	0,963	131,036	19,879	34,394	25,122	23,878	20,882	20,739	29,083	20,664	64,006
278,500	0,223	0,843	1,325	0,191	0,017	0,137	0,963	131,069	19,804	34,592	25,145	23,894	20,876	20,755	29,073	20,672	63,963
278,834	0,230	0,867	1,318	0,193	0,012	0,123	0,961	131,044	19,840	34,584	25,118	23,886	20,868	20,740	29,052	20,661	63,911
279,167	0,226	0,849	1,319	0,193	0,020	0,141	0,960	131,007	19,865	34,539	25,116	23,879	20,865	20,740	29,067	20,663	63,918
279,500	0,223	0,846	1,317	0,193	0,020	0,142	0,960	130,957	19,889	34,493	25,119	23,879	20,879	20,746	29,056	20,658	63,928
279,834	0,226	0,844	1,320	0,191	0,021	0,143	0,958	130,971	19,889	34,538	25,143	23,896	20,895	20,765	29,075	20,677	63,952
280,167	0,222	0,848	1,320	0,193	0,017	0,140	0,957	130,933	19,855	34,201	25,104	23,866	20,879	20,746	29,065	20,662	63,913
280,500	0,224	0,849	1,322	0,191	0,012	0,137	0,956	130,925	19,867	34,176	25,060	23,861	20,870	20,745	29,071	20,659	63,892
280,834	0,225	0,838	1,317	0,193	0,013	0,144	0,955	130,914	19,845	34,335	25,084	23,868	20,876	20,737	29,076	20,661	63,826
281,167	0,242	0,856	1,318	0,191	0,010	0,129	0,953	130,950	19,766	34,609	25,101	23,874	20,863	20,741	29,063	20,656	63,808
281,500	0,242	0,875	1,322	0,190	0,010	0,114	0,953	130,931	19,779	34,733	25,129	23,880	20,872	20,753	29,060	20,661	63,764
281,833	0,240	0,877	1,316	0,191	0,012	0,110	0,952	130,962	19,775	34,524	25,123	23,872	20,873	20,750	29,068	20,662	63,742
282,167	0,232	0,870	1,323	0,190	0,011	0,121	0,950	130,970	19,817	34,551	25,122	23,871	20,876	20,747	29,066	20,665	63,738
282,500	0,235	0,877	1,319	0,191	0,016	0,118	0,949	130,964	19,817	34,655	25,139	23,871	20,870	20,754	29,050	20,665	63,717

Pellematic 56_cat IV_run 2_200121 underlag till rådata PDF.DAT

Category: IV

	1103	1108	1109	130	230	101	102	1	2	3	6	7	8	11	
Mättid	T3 inlet load side	T2 inlet boiler	T1 outlet boiler	Flow load side	Flow boiler side	Heat output load side	Heat output boiler	CO chimney	CO2 chimney	O2 chimney	Pstat	Pdyn	Tunnel velocity	Våg	Tidpunkt
Minuter	°C	°C	°C	m³/h	m³/h	W	W	ppm	%	%	Pa	Pa	m/s	kg	Klockan
270,500	43,411	54,156	73,785	2,278	2,456	55750,675	55270,100	69,030	16,555	3,979	7,704	52,782	9,379	966,661	2020-01-21 14:40
270,833	43,214	54,156	73,766	2,276	2,457	56223,798	55231,179	82,599	16,791	3,675	7,722	52,928	9,392	966,661	2020-01-21 14:41
271,167	42,846	54,041	73,793	2,278	2,460	57126,814	55719,077	62,261	16,684	3,576	7,743	52,771	9,378	966,568	2020-01-21 14:41
271,500	42,673	53,865	73,837	2,276	2,455	57344,251	56229,717	70,786	16,507	3,980	7,693	52,941	9,393	966,475	2020-01-21 14:41
271,834	42,771	53,757	73,783	2,276	2,457	56940,396	56419,773	59,298	15,607	4,717	7,713	53,145	9,411	966,475	2020-01-21 14:42
272,167	42,791	53,762	73,795	2,277	2,458	56921,375	56471,553	129,387	16,671	3,780	7,729	53,102	9,408	966,350	2020-01-21 14:42
272,500	42,688	53,771	73,812	2,276	2,456	57157,752	56436,876	69,948	16,519	3,663	7,801	53,038	9,402	966,349	2020-01-21 14:42
272,834	42,586	53,721	73,779	2,276	2,456	57340,733	56493,224	74,412	16,680	3,615	7,757	52,715	9,373	966,256	2020-01-21 14:43
273,167	42,413	53,661	73,785	2,279	2,459	57763,460	56759,562	79,222	16,542	3,715	7,719	52,774	9,378	966,162	2020-01-21 14:43
273,500	42,413	53,559	73,838	2,274	2,457	57524,298	57141,601	59,437	16,821	3,841	7,873	53,058	9,404	966,068	2020-01-21 14:43
273,834	42,433	53,549	73,653	2,273	2,459	57399,520	56693,606	62,373	16,117	4,073	7,767	53,018	9,400	966,068	2020-01-21 14:44
274,167	42,461	53,542	73,715	2,275	2,457	57267,858	56839,264	70,594	16,546	3,711	7,730	53,329	9,428	965,975	2020-01-21 14:44
274,500	42,445	53,539	73,651	2,280	2,460	57415,294	56743,352	81,698	16,707	3,844	7,681	52,944	9,394	965,975	2020-01-21 14:44
274,833	42,558	53,519	73,589	2,274	2,457	56916,280	56551,085	71,383	16,518	4,016	7,607	52,560	9,359	965,850	2020-01-21 14:45
275,167	42,467	53,567	73,746	2,277	2,459	57260,596	56901,607	68,800	16,600	3,725	7,818	52,984	9,397	965,756	2020-01-21 14:45
275,500	42,206	53,523	73,638	2,271	2,455	57722,791	56641,753	60,692	15,889	4,481	7,819	52,980	9,397	965,756	2020-01-21 14:45
275,833	42,164	53,397	73,624	2,277	2,460	57785,891	57058,328	64,245	15,683	4,822	7,722	52,966	9,396	965,662	2020-01-21 14:46
276,167	42,277	53,356	73,603	2,274	2,459	57343,012	57091,444	75,471	16,506	3,977	7,693	52,821	9,383	965,568	2020-01-21 14:46
276,500	42,276	53,373	73,497	2,273	2,455	57257,778	56661,381	71,595	16,255	3,932	7,754	52,509	9,355	965,568	2020-01-21 14:46
276,833	42,172	53,366	73,542	2,273	2,460	57494,252	56923,424	388,917	16,907	3,165	7,746	52,734	9,375	965,475	2020-01-21 14:47
277,167	42,196	53,305	73,440	2,273	2,457	57347,330	56737,929	119,302	16,608	3,990	7,769	53,137	9,411	965,349	2020-01-21 14:47
277,500	42,281	53,293	73,376	2,274	2,459	57119,184	56633,092	63,046	16,238	4,045	7,704	52,839	9,384	965,348	2020-01-21 14:47
277,833	42,141	53,321	73,338	2,274	2,457	57487,520	56404,117	62,660	16,373	3,904	7,732	52,777	9,379	965,254	2020-01-21 14:48
278,167	42,034	53,242	73,355	2,274	2,462	57542,321	56792,416	56,864	15,861	4,462	7,696	52,967	9,396	965,161	2020-01-21 14:48
278,500	41,998	53,178	73,281	2,272	2,455	57484,089	56610,516	64,811	16,255	4,108	7,652	52,848	9,385	965,160	2020-01-21 14:48
278,834	42,040	53,123	73,201	2,271	2,458	57209,466	56596,468	86,829	16,870	3,691	7,718	52,793	9,380	965,067	2020-01-21 14:49
279,167	42,129	53,131	73,112	2,269	2,457	56936,167	56309,433	61,735	16,000	4,235	7,702	52,651	9,368	964,974	2020-01-21 14:49
279,500	42,197	53,176	73,148	2,273	2,460	56882,703	56361,015	60,458	16,055	4,272	7,709	52,706	9,372	964,974	2020-01-21 14:49
279,834	42,193	53,206	73,109	2,273	2,460	56960,133	56164,108	62,947	16,107	4,305	7,624	52,778	9,379	964,848	2020-01-21 14:50
280,167	42,200	53,196	73,046	2,274	2,460	56847,921	56017,222	58,706	16,318	4,215	7,718	52,841	9,384	964,754	2020-01-21 14:50
280,500	42,195	53,199	72,999	2,273	2,457	56781,396	55794,844	55,358	16,300	4,102	7,657	52,879	9,388	964,754	2020-01-21 14:50
280,834	42,192	53,188	73,037	2,273	2,460	56623,246	56012,926	65,126	15,750	4,313	7,734	52,566	9,360	964,660	2020-01-21 14:51
281,167	42,147	53,168	73,083	2,274	2,458	56723,123	56155,379	119,431	16,464	3,874	7,624	52,678	9,370	964,566	2020-01-21 14:51
281,500	42,066	53,148	72,914	2,270	2,459	56712,798	55746,773	113,114	17,074	3,426	7,581	52,754	9,377	964,567	2020-01-21 14:51
281,833	42,061	53,083	72,931	2,274	2,460	56781,195	56013,366	93,333	17,003	3,304	7,653	52,681	9,370	964,473	2020-01-21 14:52
282,167	42,088	53,071	72,933	2,274	2,460	56700,145	56052,434	82,504	16,503	3,617	7,592	52,878	9,388	964,348	2020-01-21 14:52
282,500	41,983	53,078	72,844	2,270	2,459	56811,370	55756,317	95,624	16,916	3,548	7,634	52,817	9,382	964,254	2020-01-21 14:52

Pellematic 56_cat IV_run 2_200121 underlag till rådata PDF.DAT

Category: IV

	301	302	304	305	306	308	317	1311	1312	1313	1314	1315	1316	1317	1318	1101	1102
Mättid	CO chimney	CO2 chimney	Pdyn	Pstat	Static pressure chimney	O2 chimney	Våg	Flue gas temp	Ambient	Flue gas at pitot	filter temp 1	filter temp 2	gas meter temp 1	gas meter temp 2	gasmeter temp ambient		T4 outlet load side
Minuter	VDC	VDC	VDC	VDC	VDC	VDC	VDC	°C	°C	°C	°C	°C	°C	°C	°C	°C	°C
282,833	0,240	0,873	1,313	0,191	0,018	0,122	0,948	130,917	19,802	34,604	25,136	23,864	20,887	20,741	29,036	20,660	63,670
283,167	0,225	0,862	1,316	0,191	0,011	0,118	0,947	130,931	19,792	34,459	25,116	23,862	20,878	20,746	29,043	20,665	63,655
283,500	0,227	0,883	1,320	0,192	0,014	0,114	0,946	130,917	19,779	34,521	25,125	23,854	20,868	20,746	29,036	20,660	63,674
283,833	0,222	0,864	1,328	0,195	0,012	0,136	0,945	130,878	19,782	34,317	25,104	23,878	20,894	20,766	29,061	20,684	63,679
284,167	0,223	0,855	1,317	0,191	0,010	0,124	0,944	130,883	19,787	34,212	25,085	23,868	20,870	20,747	29,041	20,659	63,723
284,500	0,237	0,873	1,321	0,193	0,020	0,113	0,943	130,886	19,796	34,419	25,098	23,865	20,876	20,739	29,039	20,660	63,744
284,833	0,268	0,886	1,322	0,190	0,020	0,101	0,940	130,945	19,838	34,780	25,109	23,874	20,876	20,756	29,042	20,668	63,809
285,167	0,271	0,892	1,319	0,193	0,014	0,111	0,940	130,913	19,839	34,770	25,115	23,863	20,880	20,749	29,036	20,665	63,776
285,500	0,236	0,870	1,311	0,194	0,015	0,127	0,939	130,849	19,833	34,667	25,100	23,855	20,886	20,760	29,052	20,670	63,815
285,834	0,226	0,848	1,315	0,191	0,012	0,135	0,938	130,810	19,796	34,461	25,080	23,850	20,885	20,752	29,049	20,663	63,846
286,167	0,227	0,854	1,329	0,189	0,020	0,131	0,937	130,804	19,777	34,574	25,097	23,858	20,896	20,767	29,066	20,669	63,897
286,500	0,234	0,874	1,326	0,192	0,024	0,113	0,936	130,832	19,822	34,477	25,091	23,846	20,891	20,754	29,073	20,676	63,938
286,834	0,226	0,878	1,319	0,192	0,015	0,119	0,936	130,818	19,772	34,632	25,092	23,843	20,883	20,759	29,064	20,665	63,986
287,167	0,230	0,875	1,320	0,194	0,016	0,107	0,934	130,799	19,810	34,459	25,063	23,834	20,892	20,771	29,080	20,671	64,029
287,500	0,231	0,875	1,322	0,193	0,022	0,117	0,936	130,819	19,803	34,279	25,056	23,832	20,884	20,765	29,074	20,663	64,097
287,834	0,225	0,875	1,325	0,192	0,013	0,121	0,931	130,830	19,815	34,132	25,039	23,810	20,891	20,765	29,069	20,670	64,179
288,167	0,225	0,868	1,318	0,193	0,013	0,126	0,930	130,810	19,834	34,351	25,035	23,821	20,892	20,773	29,097	20,674	64,222
288,500	0,230	0,861	1,323	0,194	0,019	0,127	0,929	130,740	19,891	34,482	25,051	23,812	20,899	20,769	29,100	20,671	64,226
288,833	0,223	0,846	1,324	0,194	0,019	0,139	0,928	130,735	19,924	34,481	25,060	23,817	20,893	20,773	29,099	20,670	64,239
289,167	0,226	0,857	1,323	0,192	0,014	0,133	0,928	130,748	19,964	34,272	25,047	23,804	20,895	20,754	29,076	20,665	64,248
289,500	0,224	0,852	1,320	0,193	0,019	0,141	0,926	130,766	19,886	34,206	25,042	23,800	20,895	20,769	29,073	20,667	64,307
289,833	0,225	0,846	1,316	0,190	0,015	0,136	0,924	130,772	19,895	34,323	25,060	23,816	20,892	20,752	29,064	20,667	64,349
290,167	0,228	0,849	1,320	0,192	0,021	0,140	0,923	130,768	19,877	34,327	25,064	23,813	20,886	20,754	29,056	20,665	64,368
290,500	0,231	0,857	1,321	0,192	0,020	0,129	0,922	130,777	19,832	34,170	25,053	23,815	20,900	20,759	29,059	20,673	64,415
290,833	0,229	0,856	1,322	0,193	0,022	0,144	0,921	130,811	19,860	34,318	25,061	23,810	20,893	20,762	29,059	20,670	64,455
291,167	0,229	0,834	1,328	0,191	0,022	0,145	0,920	130,810	19,896	34,345	25,053	23,805	20,890	20,758	29,060	20,663	64,495
291,500	0,229	0,848	1,329	0,192	0,016	0,130	0,920	130,850	19,874	34,466	25,080	23,814	20,893	20,758	29,051	20,665	64,498
291,833	0,260	0,879	1,323	0,194	0,013	0,108	0,918	130,921	19,817	34,478	25,081	23,800	20,886	20,764	29,059	20,669	64,523
292,167	0,232	0,879	1,324	0,190	0,018	0,125	0,917	130,940	19,779	34,658	25,093	23,814	20,894	20,754	29,066	20,669	64,562
292,500	0,230	0,856	1,321	0,191	0,014	0,121	0,915	131,003	19,778	34,437	25,065	23,809	20,891	20,760	29,088	20,668	64,611
292,834	0,230	0,874	1,312	0,191	0,015	0,121	0,915	131,008	19,817	34,521	25,070	23,815	20,893	20,751	29,112	20,669	64,672
293,167	0,226	0,861	1,318	0,193	0,015	0,137	0,913	130,995	19,789	34,461	25,076	23,802	20,907	20,758	29,090	20,663	64,713
293,500	0,225	0,845	1,325	0,194	0,013	0,139	0,912	130,994	19,790	34,500	25,053	23,793	20,899	20,750	29,102	20,668	64,759
293,834	0,224	0,848	1,318	0,190	0,011	0,153	0,912	130,968	19,856	34,380	25,048	23,800	20,904	20,756	29,098	20,665	64,789
294,167	0,222	0,805	1,315	0,192	0,013	0,188	0,910	130,879	19,870	34,417	25,064	23,792	20,895	20,756	29,091	20,667	64,849
294,500	0,224	0,798	1,322	0,191	0,016	0,171	0,909	130,841	19,875	34,354	25,040	23,787	20,895	20,757	29,082	20,669	64,865
294,833	0,226	0,811	1,329	0,191	0,017	0,158	0,908	130,823	19,815	34,600	25,083	23,803	20,889	20,746	29,070	20,664	64,869

Pellematic 56_cat IV_run 2_200121 underlag till rådata PDF.DAT

Category: IV

	1103	1108	1109	130	230	101	102	1	2	3	6	7	8	11	
Mättid	T3 inlet load side	T2 inlet boiler	T1 outlet boiler	Flow load side	Flow boiler side	Heat output load side	Heat output boiler	CO chimney	CO2 chimney	O2 chimney	Pstat	Pdyn	Tunnel velocity	Våg	Tidpunkt
Minuter	°C	°C	°C	m³/h	m³/h	W	W	ppm	%	%	Pa	Pa	m/s	kg	Klockan
282,833	41,981	53,018	72,997	2,273	2,460	56767,646	56378,727	97,640	16,913	3,665	7,654	52,683	9,370	964,254	2020-01-21 14:53
283,167	42,018	53,015	72,894	2,271	2,459	56592,789	56058,063	65,901	16,649	3,539	7,650	52,504	9,355	964,161	2020-01-21 14:53
283,500	42,135	53,032	72,914	2,273	2,460	56366,619	56102,836	66,600	16,986	3,417	7,691	52,889	9,389	964,067	2020-01-21 14:53
283,833	42,296	53,109	73,020	2,273	2,457	55959,357	56112,264	57,926	16,453	4,089	7,797	53,076	9,405	964,003	2020-01-21 14:54
284,167	42,281	53,177	72,935	2,273	2,460	56113,045	55751,954	57,744	16,638	3,722	7,622	52,707	9,373	963,974	2020-01-21 14:54
284,500	42,294	53,189	72,889	2,274	2,463	56167,915	55659,564	96,969	16,851	3,384	7,713	53,014	9,400	963,848	2020-01-21 14:54
284,833	42,362	53,215	72,933	2,271	2,464	56090,200	55715,890	224,211	17,161	3,025	7,605	52,947	9,394	963,754	2020-01-21 14:55
285,167	42,416	53,246	72,889	2,274	2,462	55929,941	55462,749	202,345	17,206	3,338	7,723	52,686	9,371	963,754	2020-01-21 14:55
285,500	42,528	53,288	72,974	2,276	2,465	55797,074	55646,588	96,228	16,800	3,796	7,768	52,449	9,350	963,660	2020-01-21 14:55
285,834	42,646	53,353	72,991	2,273	2,459	55486,888	55375,660	62,562	16,133	4,058	7,653	52,551	9,359	963,567	2020-01-21 14:56
286,167	42,772	53,419	73,075	2,274	2,464	55308,825	55537,559	67,921	16,179	3,939	7,558	53,443	9,438	963,567	2020-01-21 14:56
286,500	42,936	53,501	72,996	2,273	2,460	54961,306	55006,644	105,465	16,995	3,390	7,671	52,951	9,394	963,474	2020-01-21 14:56
286,834	42,991	53,591	73,170	2,275	2,462	54996,831	55279,444	59,963	16,889	3,561	7,682	52,846	9,385	963,473	2020-01-21 14:57
287,167	43,146	53,655	73,241	2,274	2,460	54667,025	55258,478	93,976	17,061	3,221	7,747	52,901	9,390	963,350	2020-01-21 14:57
287,500	43,324	53,749	73,149	2,275	2,459	54407,541	54696,940	61,724	16,649	3,513	7,724	52,964	9,395	963,752	2020-01-21 14:57
287,834	43,389	53,859	73,109	2,274	2,462	54422,381	54331,535	65,585	16,822	3,616	7,680	52,930	9,392	963,163	2020-01-21 14:58
288,167	43,324	53,923	73,272	2,277	2,458	54774,878	54544,062	67,242	16,739	3,793	7,739	52,768	9,378	963,069	2020-01-21 14:58
288,500	43,247	53,913	73,207	2,277	2,461	54978,428	54448,454	74,042	16,581	3,809	7,742	52,965	9,395	963,069	2020-01-21 14:58
288,833	43,228	53,887	73,328	2,272	2,452	54945,262	54655,245	61,772	15,912	4,177	7,755	52,884	9,388	962,976	2020-01-21 14:59
289,167	43,258	53,875	73,303	2,275	2,456	54958,777	54699,386	68,606	16,416	4,002	7,697	52,807	9,381	962,976	2020-01-21 14:59
289,500	43,326	53,899	73,400	2,278	2,460	55014,580	55012,204	62,764	16,256	4,221	7,724	52,916	9,391	962,850	2020-01-21 14:59
289,833	43,337	53,959	73,462	2,273	2,460	54968,788	55016,801	62,562	16,195	4,068	7,597	52,491	9,353	962,757	2020-01-21 15:00
290,167	43,403	53,978	73,505	2,276	2,459	54913,726	55053,267	71,711	16,065	4,207	7,686	52,841	9,384	962,663	2020-01-21 15:00
290,500	43,539	54,040	73,519	2,276	2,460	54677,211	54936,266	87,610	16,573	3,882	7,683	53,001	9,399	962,569	2020-01-21 15:00
290,833	43,561	54,116	73,589	2,276	2,462	54728,781	54968,323	69,678	16,294	4,316	7,715	52,959	9,395	962,569	2020-01-21 15:01
291,167	43,560	54,145	73,481	2,275	2,458	54823,159	54502,048	77,094	15,906	4,336	7,629	53,139	9,411	962,476	2020-01-21 15:01
291,500	43,589	54,162	73,378	2,275	2,460	54738,581	54186,712	72,521	16,159	3,889	7,683	53,334	9,428	962,476	2020-01-21 15:01
291,833	43,675	54,169	73,442	2,273	2,459	54552,242	54323,613	231,464	17,136	3,244	7,770	52,658	9,368	962,351	2020-01-21 15:02
292,167	43,819	54,227	73,536	2,276	2,459	54340,302	54439,703	78,809	16,826	3,744	7,619	53,187	9,415	962,257	2020-01-21 15:02
292,500	43,893	54,304	73,631	2,277	2,460	54291,604	54510,462	81,103	16,442	3,645	7,645	52,901	9,390	962,163	2020-01-21 15:02
292,834	43,937	54,383	73,736	2,276	2,458	54310,043	54543,140	76,741	16,678	3,622	7,646	52,168	9,324	962,163	2020-01-21 15:03
293,167	43,967	54,425	73,702	2,277	2,460	54357,687	54370,836	67,878	16,383	4,096	7,723	52,953	9,394	962,069	2020-01-21 15:03
293,500	43,977	54,468	73,751	2,277	2,460	54463,243	54381,879	64,238	16,095	4,157	7,750	53,052	9,403	961,976	2020-01-21 15:03
293,834	43,985	54,494	73,711	2,278	2,460	54549,201	54194,380	62,065	16,051	4,587	7,614	52,540	9,358	961,976	2020-01-21 15:04
294,167	44,046	54,517	73,743	2,274	2,462	54436,761	54259,552	59,296	14,914	5,651	7,699	52,857	9,386	961,851	2020-01-21 15:04
294,500	44,065	54,560	73,870	2,273	2,461	54404,230	54474,202	66,679	15,340	5,122	7,628	52,847	9,385	961,851	2020-01-21 15:04
294,833	44,155	54,583	73,723	2,276	2,461	54242,507	53998,131	62,066	15,219	4,750	7,657	53,153	9,412	961,757	2020-01-21 15:05

Pellematic 56_cat IV_run 2_200121 underlag till rådata PDF.DAT

Category: IV

	301	302	304	305	306	308	317	1311	1312	1313	1314	1315	1316	1317	1318	1101	1102
Mättid	CO chimney	CO2 chimney	Pdyn	Pstat	Static pressure chimney	O2 chimney	Våg	Flue gas temp	Ambient	Flue gas at pitot	filter temp 1	filter temp 2	gas meter temp 1	gas meter temp 2	gasmeter temp ambient		T4 outlet load side
Minuter	VDC	VDC	VDC	VDC	VDC	VDC	VDC	°C	°C	°C	°C	°C	°C	°C	°C	°C	°C
295,167	0,228	0,851	1,319	0,191	0,013	0,129	0,907	130,872	19,871	34,461	25,069	23,802	20,902	20,760	29,085	20,669	64,855
295,500	0,234	0,860	1,321	0,194	0,020	0,138	0,907	130,880	19,858	34,243	25,061	23,791	20,907	20,766	29,090	20,669	64,846
295,833	0,228	0,853	1,321	0,191	0,020	0,137	0,905	130,878	19,870	34,470	25,057	23,793	20,891	20,749	29,093	20,667	64,826
296,167	0,227	0,834	1,314	0,194	0,016	0,146	0,904	130,761	19,883	34,401	25,076	23,798	20,890	20,760	29,111	20,668	64,857
296,500	0,228	0,839	1,319	0,192	0,014	0,149	0,903	130,767	19,814	34,374	25,065	23,801	20,902	20,763	29,114	20,671	64,884
296,833	0,226	0,844	1,317	0,193	0,019	0,136	0,901	130,797	19,821	34,371	25,060	23,789	20,906	20,761	29,107	20,665	64,920
297,167	0,226	0,862	1,314	0,193	0,014	0,126	0,899	130,853	19,837	34,323	25,065	23,798	20,899	20,756	29,096	20,664	64,998
297,500	0,225	0,861	1,326	0,193	0,013	0,127	0,899	130,859	19,779	34,459	25,055	23,785	20,897	20,751	29,084	20,663	65,084
297,833	0,223	0,855	1,329	0,193	0,014	0,130	0,897	130,892	19,851	34,590	25,074	23,802	20,902	20,766	29,099	20,673	65,131
298,167	0,225	0,859	1,315	0,193	0,014	0,130	0,896	130,948	19,853	34,473	25,083	23,808	20,925	20,778	29,095	20,677	65,116
298,500	0,232	0,881	1,321	0,190	0,008	0,100	0,896	131,068	19,868	34,577	25,094	23,806	20,901	20,756	29,081	20,674	65,147
298,834	0,432	0,898	1,322	0,192	0,016	0,092	0,894	131,111	19,845	34,639	25,104	23,810	20,910	20,755	29,082	20,675	65,202
299,167	0,430	0,892	1,319	0,192	0,016	0,108	0,893	131,132	19,872	34,721	25,134	23,820	20,919	20,777	29,066	20,679	65,246
299,500	0,236	0,876	1,317	0,192	0,019	0,129	0,892	131,129	19,913	34,325	25,092	23,795	20,920	20,770	29,053	20,675	65,232
299,834	0,227	0,849	1,320	0,189	0,016	0,136	0,891	131,175	19,906	34,588	25,121	23,801	20,907	20,762	29,063	20,675	65,168
300,167	0,280	0,875	1,320	0,192	0,015	0,099	0,890	131,229	19,835	34,674	25,126	23,797	20,908	20,760	29,060	20,675	65,129
300,500	0,278	0,895	1,316	0,194	0,020	0,101	0,888	131,272	19,834	34,616	25,114	23,805	20,916	20,763	29,043	20,677	65,224
300,834	0,268	0,884	1,314	0,194	0,020	0,118	0,888	131,326	19,769	34,768	25,131	23,796	20,909	20,776	29,056	20,677	65,294
301,167	0,233	0,872	1,321	0,195	0,015	0,119	0,885	131,333	19,853	34,305	25,127	23,802	20,912	20,777	29,042	20,679	65,291
301,500	0,237	0,883	1,325	0,193	0,012	0,093	0,886	131,406	19,862	34,149	25,097	23,792	20,915	20,778	29,046	20,683	65,294
301,833	0,269	0,892	1,326	0,191	0,013	0,108	0,883	131,409	19,839	34,522	25,105	23,795	20,928	20,773	29,046	20,681	65,286
302,167	0,230	0,884	1,324	0,194	0,015	0,123	0,883	131,427	19,853	34,726	25,122	23,795	20,911	20,772	29,044	20,676	65,323
302,500	0,226	0,852	1,323	0,191	0,020	0,140	0,881	131,415	19,885	34,775	25,147	23,802	20,918	20,773	29,064	20,681	65,309
302,833	0,227	0,837	1,324	0,193	0,015	0,148	0,881	131,426	19,887	34,872	25,144	23,813	20,918	20,760	29,063	20,679	65,268
303,167	0,229	0,836	1,317	0,189	0,010	0,149	0,880	131,372	19,896	34,938	25,173	23,811	20,905	20,777	29,058	20,678	65,259
303,500	0,228	0,833	1,316	0,191	0,010	0,160	0,879	131,390	19,865	34,511	25,145	23,813	20,922	20,766	29,083	20,684	65,221
303,833	0,224	0,822	1,322	0,194	0,012	0,158	0,878	131,327	19,874	34,467	25,145	23,802	20,917	20,762	29,090	20,679	65,141
304,167	0,224	0,817	1,318	0,192	0,018	0,164	0,876	131,336	19,905	34,561	25,142	23,814	20,914	20,771	29,077	20,679	65,118
304,500	0,230	0,832	1,323	0,192	0,017	0,153	0,875	131,350	19,863	34,529	25,128	23,812	20,927	20,772	29,070	20,681	65,110
304,833	0,228	0,835	1,324	0,195	0,020	0,144	0,875	131,364	19,858	34,720	25,136	23,808	20,926	20,767	29,064	20,679	65,037
305,167	0,226	0,834	1,321	0,194	0,014	0,159	0,873	131,281	19,792	34,660	25,140	23,818	20,932	20,770	29,074	20,684	64,978
305,500	0,227	0,844	1,323	0,193	0,019	0,137	0,872	131,258	19,794	34,476	25,107	23,797	20,930	20,763	29,078	20,679	64,950
305,834	0,224	0,829	1,312	0,193	0,018	0,156	0,872	131,164	19,833	34,306	25,105	23,801	20,930	20,770	29,105	20,687	64,967
306,167	0,222	0,836	1,312	0,193	0,013	0,136	0,871	131,123	19,910	34,405	25,106	23,811	20,924	20,763	29,110	20,681	64,981
306,500	0,226	0,875	1,323	0,194	0,018	0,118	0,870	131,165	19,905	34,349	25,086	23,795	20,918	20,760	29,096	20,677	64,984
306,834	0,229	0,863	1,322	0,193	0,015	0,131	0,868	131,169	19,847	34,556	25,106	23,810	20,937	20,765	29,090	20,686	64,894
307,167	0,226	0,858	1,326	0,193	0,014	0,132	0,867	131,138	19,869	34,522	25,118	23,809	20,936	20,770	29,076	20,689	64,877

Pellematic 56_cat IV_run 2_200121 underlag till rådata PDF.DAT

Category: IV

	1103	1108	1109	130	230	101	102	1	2	3	6	7	8	11	
Mättid	T3 inlet load side	T2 inlet boiler	T1 outlet boiler	Flow load side	Flow boiler side	Heat output load side	Heat output boiler	CO chimney	CO2 chimney	O2 chimney	Pstat	Pdyn	Tunnel velocity	Våg	Tidpunkt
Minuter	°C	°C	°C	m³/h	m³/h	W	W	ppm	%	%	Pa	Pa	m/s	kg	Klockan
295,167	44,179	54,623	73,653	2,279	2,464	54228,898	53739,022	72,384	16,375	3,867	7,624	52,481	9,352	961,663	2020-01-21 15:05
295,500	44,157	54,631	73,806	2,279	2,462	54267,081	54111,829	90,077	16,369	4,148	7,743	53,084	9,406	961,663	2020-01-21 15:05
295,833	44,192	54,595	73,661	2,277	2,460	54068,448	53767,143	75,683	16,609	4,105	7,659	52,727	9,374	961,663	2020-01-21 15:06
296,167	44,214	54,620	73,852	2,279	2,462	54127,912	54276,779	67,952	15,836	4,374	7,752	52,568	9,360	961,476	2020-01-21 15:06
296,500	44,309	54,656	73,770	2,277	2,467	53910,494	54053,715	64,515	15,753	4,478	7,689	52,580	9,361	961,348	2020-01-21 15:06
296,833	44,601	54,707	73,753	2,277	2,464	53228,610	53791,723	70,619	16,265	4,094	7,737	52,935	9,393	961,348	2020-01-21 15:07
297,167	44,818	54,873	73,841	2,277	2,457	52860,759	53417,297	70,823	16,691	3,790	7,738	52,331	9,339	961,161	2020-01-21 15:07
297,500	44,806	55,013	73,903	2,276	2,463	53084,245	53319,499	64,965	16,593	3,801	7,703	52,960	9,395	961,161	2020-01-21 15:07
297,833	44,682	55,039	73,897	2,277	2,462	53582,028	53210,301	59,296	16,288	3,910	7,703	53,040	9,402	961,067	2020-01-21 15:08
298,167	44,634	54,996	73,929	2,281	2,464	53762,263	53456,839	69,179	16,393	3,897	7,723	52,556	9,359	960,973	2020-01-21 15:08
298,500	44,692	54,986	73,886	2,278	2,463	53603,652	53360,504	84,474	17,400	2,998	7,605	52,759	9,377	960,973	2020-01-21 15:08
298,834	44,728	55,019	74,154	2,276	2,462	53624,102	53995,154	556,780	17,480	2,751	7,680	52,767	9,378	960,848	2020-01-21 15:09
299,167	44,384	55,050	74,174	2,279	2,460	54700,115	53927,087	163,305	17,021	3,234	7,666	52,757	9,377	960,754	2020-01-21 15:09
299,500	43,898	54,907	74,277	2,277	2,462	55909,729	54663,401	90,796	16,775	3,872	7,695	52,827	9,383	960,754	2020-01-21 15:09
299,834	43,758	54,664	74,376	2,273	2,460	56001,489	55586,006	72,299	16,302	4,080	7,571	52,643	9,367	960,660	2020-01-21 15:10
300,167	43,967	54,579	74,372	2,278	2,459	55486,916	55794,474	208,139	17,327	2,959	7,677	52,655	9,368	960,567	2020-01-21 15:10
300,500	43,935	54,676	74,462	2,274	2,461	55721,126	55824,344	193,281	17,242	3,028	7,769	52,724	9,374	960,473	2020-01-21 15:10
300,834	43,761	54,696	74,441	2,275	2,460	56383,038	55669,726	118,172	16,955	3,552	7,756	52,806	9,381	960,473	2020-01-21 15:11
301,167	43,582	54,625	74,617	2,275	2,460	56837,978	56386,084	81,661	16,953	3,573	7,784	52,938	9,393	960,255	2020-01-21 15:11
301,500	43,499	54,548	74,472	2,273	2,462	57014,240	56242,623	110,237	17,425	2,782	7,728	53,230	9,419	960,348	2020-01-21 15:11
301,833	43,584	54,496	74,675	2,273	2,458	56769,008	56870,306	85,398	16,867	3,252	7,631	53,063	9,404	960,255	2020-01-21 15:12
302,167	43,459	54,544	74,692	2,274	2,459	57234,078	56791,262	71,796	16,960	3,703	7,749	52,972	9,396	960,161	2020-01-21 15:12
302,500	43,299	54,489	74,626	2,277	2,460	57692,598	56795,325	72,553	16,334	4,202	7,654	52,864	9,386	960,067	2020-01-21 15:12
302,833	43,293	54,419	74,779	2,274	2,462	57527,758	57474,095	67,296	15,875	4,435	7,710	52,924	9,392	960,067	2020-01-21 15:13
303,167	43,257	54,410	74,723	2,276	2,462	57635,385	57338,239	77,439	15,796	4,484	7,562	52,771	9,378	959,974	2020-01-21 15:13
303,500	43,193	54,376	74,678	2,274	2,460	57673,059	57268,668	79,087	15,757	4,808	7,633	52,585	9,362	959,848	2020-01-21 15:13
303,833	43,340	54,316	74,659	2,277	2,459	57135,212	57347,569	57,784	15,659	4,729	7,753	52,939	9,393	959,848	2020-01-21 15:14
304,167	43,483	54,370	74,334	2,275	2,463	56645,063	56364,549	63,425	15,255	4,910	7,696	52,717	9,373	959,755	2020-01-21 15:14
304,500	43,427	54,418	74,491	2,275	2,462	56775,828	56653,730	86,316	15,861	4,602	7,687	52,882	9,388	959,661	2020-01-21 15:14
304,833	43,347	54,378	74,238	2,276	2,460	56833,054	56014,322	75,938	15,973	4,320	7,801	52,937	9,393	959,661	2020-01-21 15:15
305,167	43,395	54,312	74,313	2,274	2,462	56499,604	56456,204	64,013	15,565	4,771	7,774	52,766	9,378	959,567	2020-01-21 15:15
305,500	43,609	54,332	74,195	2,277	2,465	55930,472	56144,560	74,965	16,578	4,096	7,708	53,034	9,402	959,474	2020-01-21 15:15
305,834	43,826	54,431	74,149	2,274	2,462	55334,024	55656,068	64,080	15,483	4,685	7,715	52,325	9,339	959,474	2020-01-21 15:16
306,167	43,856	54,504	74,185	2,277	2,462	55356,144	55546,056	54,714	15,887	4,087	7,717	52,615	9,364	959,351	2020-01-21 15:16
306,500	43,778	54,542	74,010	2,275	2,461	55535,177	54923,330	78,623	16,912	3,549	7,769	52,979	9,397	959,351	2020-01-21 15:16
306,834	43,694	54,464	74,068	2,278	2,461	55595,415	55311,248	73,323	16,563	3,932	7,711	52,768	9,378	959,257	2020-01-21 15:17
307,167	43,722	54,425	74,031	2,275	2,460	55405,427	55299,246	64,615	16,465	3,948	7,728	52,926	9,392	959,163	2020-01-21 15:17

Pellematic 56_cat IV_run 2_200121 underlag till rådata PDF.DAT

Category: IV

	301	302	304	305	306	308	317	1311	1312	1313	1314	1315	1316	1317	1318	1101	1102
Mättid	CO chimney	CO2 chimney	Pdyn	Pstat	Static pressure chimney	O2 chimney	Våg	Flue gas temp	Ambient	Flue gas at pitot	filter temp 1	filter temp 2	gas meter temp 1	gas meter temp 2	gasmeter temp ambient		T4 outlet load side
Minuter	VDC	VDC	VDC	VDC	VDC	VDC	VDC	°C	°C	°C	°C	°C	°C	°C	°C	°C	°C
307,500	0,222	0,840	1,326	0,192	0,014	0,149	0,867	131,110	19,870	34,482	25,113	23,805	20,926	20,752	29,079	20,680	64,854
307,834	0,227	0,847	1,324	0,193	0,010	0,133	0,865	131,154	19,867	34,510	25,117	23,796	20,922	20,758	29,103	20,677	64,844
308,167	0,228	0,875	1,320	0,194	0,012	0,117	0,864	131,148	19,778	34,418	25,124	23,808	20,935	20,781	29,115	20,685	64,830
308,500	0,225	0,858	1,321	0,191	0,015	0,126	0,864	131,161	19,793	34,509	25,130	23,808	20,925	20,763	29,119	20,683	64,840
308,833	0,228	0,871	1,330	0,191	0,021	0,123	0,862	131,170	19,819	34,181	25,106	23,801	20,933	20,744	29,137	20,677	64,839
309,167	0,224	0,859	1,327	0,192	0,023	0,136	0,861	131,186	19,806	34,300	25,125	23,812	20,934	20,760	29,145	20,681	64,791
309,500	0,225	0,865	1,325	0,192	0,020	0,115	0,860	131,199	19,777	34,532	25,130	23,814	20,931	20,755	29,141	20,681	64,805
309,833	0,231	0,867	1,309	0,193	0,009	0,128	0,859	131,179	19,780	34,674	25,136	23,810	20,944	20,749	29,145	20,681	64,791
310,167	0,230	0,852	1,322	0,194	0,016	0,139	0,858	131,220	19,741	34,488	25,144	23,820	20,945	20,758	29,129	20,687	64,854
310,500	0,234	0,857	1,315	0,193	0,013	0,127	0,856	131,276	19,773	34,329	25,126	23,822	20,943	20,753	29,107	20,683	64,895
310,833	0,248	0,879	1,321	0,193	0,018	0,108	0,856	131,228	19,714	34,531	25,140	23,823	20,958	20,750	29,099	20,685	64,926
311,167	0,232	0,866	1,320	0,193	0,021	0,136	0,854	131,201	19,720	34,286	25,125	23,817	20,935	20,757	29,105	20,679	64,917
311,500	0,228	0,839	1,324	0,192	0,017	0,137	0,853	131,241	19,761	34,405	25,148	23,847	20,963	20,779	29,128	20,702	64,949
311,833	0,227	0,867	1,324	0,192	0,012	0,125	0,852	131,242	19,845	34,468	25,157	23,857	20,951	20,767	29,129	20,691	64,939
312,167	0,225	0,871	1,324	0,193	0,016	0,115	0,850	131,327	19,858	34,127	25,126	23,835	20,958	20,764	29,124	20,695	64,969
312,500	0,242	0,886	1,324	0,193	0,018	0,108	0,850	131,331	19,720	34,369	25,124	23,824	20,947	20,755	29,118	20,688	65,000
312,834	0,227	0,868	1,323	0,192	0,013	0,125	0,848	131,309	19,796	34,497	25,118	23,828	20,951	20,752	29,117	20,690	65,030
313,167	0,225	0,869	1,322	0,194	0,016	0,127	0,848	131,337	19,748	34,344	25,091	23,810	20,930	20,753	29,101	20,686	65,029
313,500	0,225	0,861	1,326	0,193	0,011	0,127	0,847	131,334	19,826	34,602	25,127	23,816	20,942	20,750	29,091	20,687	65,050
313,834	0,227	0,859	1,322	0,195	0,011	0,124	0,845	131,348	19,773	34,518	25,114	23,828	20,951	20,758	29,089	20,692	65,051
314,167	0,231	0,871	1,325	0,193	0,016	0,111	0,844	131,389	19,820	34,522	25,126	23,829	20,963	20,751	29,089	20,690	65,058
314,500	0,225	0,878	1,327	0,193	0,022	0,130	0,843	131,381	19,816	34,462	25,103	23,819	20,949	20,760	29,092	20,687	65,047
314,834	0,226	0,858	1,325	0,192	0,018	0,125	0,842	131,406	19,807	34,789	25,124	23,835	20,961	20,755	29,101	20,687	65,048
315,167	0,224	0,854	1,321	0,191	0,014	0,135	0,841	131,450	19,828	34,638	25,131	23,837	20,964	20,767	29,107	20,696	65,055
315,500	0,233	0,868	1,319	0,193	0,015	0,113	0,840	131,493	19,789	34,681	25,139	23,839	20,968	20,770	29,108	20,699	65,087
315,833	0,234	0,887	1,311	0,194	0,010	0,112	0,839	131,554	19,805	34,716	25,132	23,822	20,958	20,774	29,101	20,690	65,093
316,167	0,368	0,893	1,317	0,195	0,018	0,087	0,837	131,638	19,840	34,376	25,099	23,812	20,955	20,762	29,083	20,685	65,102
316,500	0,343	0,905	1,321	0,197	0,013	0,100	0,836	131,636	19,838	34,413	25,084	23,799	20,939	20,754	29,072	20,682	65,123
316,833	0,232	0,869	1,321	0,193	0,014	0,129	0,835	131,644	19,820	34,550	25,112	23,826	20,955	20,774	29,094	20,693	65,200
317,167	0,232	0,858	1,316	0,194	0,022	0,134	0,834	131,618	19,874	34,617	25,103	23,827	20,962	20,764	29,079	20,689	65,270
317,500	0,234	0,851	1,324	0,194	0,015	0,140	0,832	131,598	19,900	34,457	25,127	23,844	20,963	20,780	29,104	20,700	65,296
317,833	0,232	0,842	1,321	0,194	0,013	0,140	0,832	131,597	19,920	34,540	25,135	23,843	20,962	20,767	29,090	20,693	65,313
318,167	0,236	0,849	1,319	0,194	0,010	0,131	0,832	131,563	19,819	34,455	25,113	23,835	20,956	20,757	29,070	20,681	65,282
318,500	0,235	0,873	1,316	0,193	0,016	0,119	0,830	131,614	19,871	34,551	25,128	23,852	20,985	20,784	29,097	20,705	65,273
318,833	0,238	0,879	1,321	0,193	0,013	0,114	0,828	131,609	19,876	34,532	25,114	23,840	20,968	20,758	29,062	20,685	65,276
319,167	0,224	0,867	1,313	0,194	0,019	0,123	0,827	131,625	19,820	34,755	25,161	23,880	20,973	20,771	29,078	20,695	65,274
319,500	0,233	0,876	1,314	0,193	0,015	0,117	0,825	131,638	19,769	34,423	25,102	23,849	20,959	20,762	29,082	20,681	65,294

Pellematic 56_cat IV_run 2_200121 underlag till rådata PDF.DAT

Category: IV

	1103	1108	1109	130	230	101	102	1	2	3	6	7	8	11	
Mättid	T3 inlet load side	T2 inlet boiler	T1 outlet boiler	Flow load side	Flow boiler side	Heat output load side	Heat output boiler	CO chimney	CO2 chimney	O2 chimney	Pstat	Pdyn	Tunnel velocity	Våg	Tidpunkt
Minuter	°C	°C	°C	m³/h	m³/h	W	W	ppm	%	%	Pa	Pa	m/s	kg	Klockan
307,500	43,759	54,419	73,981	2,275	2,462	55228,197	55211,716	61,517	15,742	4,483	7,661	53,141	9,411	959,163	2020-01-21 15:17
307,834	43,757	54,439	74,000	2,274	2,458	55187,294	55129,083	74,218	16,349	3,998	7,722	52,840	9,384	959,069	2020-01-21 15:18
308,167	43,796	54,431	73,956	2,275	2,460	55066,090	55065,461	78,841	17,136	3,508	7,763	52,838	9,384	958,976	2020-01-21 15:18
308,500	43,746	54,442	73,821	2,275	2,460	55237,052	54661,620	65,074	16,323	3,779	7,644	52,781	9,379	958,976	2020-01-21 15:18
308,833	43,653	54,432	73,883	2,274	2,462	55457,693	54897,879	70,617	16,636	3,703	7,658	53,156	9,412	958,851	2020-01-21 15:19
309,167	43,563	54,358	73,935	2,275	2,461	55595,980	55223,899	65,004	16,374	4,075	7,668	52,961	9,395	958,757	2020-01-21 15:19
309,500	43,574	54,332	73,962	2,276	2,465	55609,750	55473,444	66,051	17,014	3,444	7,700	52,939	9,393	958,757	2020-01-21 15:19
309,833	43,762	54,336	73,911	2,274	2,462	55040,927	55251,359	81,127	16,379	3,839	7,721	52,841	9,384	958,663	2020-01-21 15:20
310,167	43,880	54,417	74,002	2,277	2,461	54955,329	55262,736	73,779	16,039	4,184	7,767	52,759	9,377	958,570	2020-01-21 15:20
310,500	43,901	54,497	74,073	2,277	2,464	55011,307	55289,220	103,931	16,538	3,812	7,700	52,839	9,384	958,476	2020-01-21 15:20
310,833	43,849	54,531	74,072	2,276	2,460	55216,826	55113,291	123,393	17,203	3,251	7,705	52,923	9,392	958,476	2020-01-21 15:21
311,167	43,800	54,502	73,964	2,276	2,461	55305,516	54897,236	73,301	16,295	4,084	7,734	52,774	9,379	958,351	2020-01-21 15:21
311,500	43,803	54,491	74,076	2,275	2,459	55355,952	55202,227	73,943	15,899	4,117	7,694	52,800	9,381	958,257	2020-01-21 15:21
311,833	43,847	54,485	74,118	2,277	2,457	55266,298	55295,776	67,735	16,634	3,736	7,664	53,193	9,416	958,257	2020-01-21 15:22
312,167	43,925	54,508	74,064	2,276	2,460	55111,086	55158,106	65,931	16,886	3,455	7,723	52,960	9,395	958,070	2020-01-21 15:22
312,500	43,952	54,570	74,222	2,274	2,457	55086,042	55353,502	76,427	17,195	3,229	7,721	53,068	9,405	958,070	2020-01-21 15:22
312,834	43,908	54,592	74,138	2,275	2,460	55309,241	55110,295	64,582	16,490	3,745	7,689	53,023	9,401	957,976	2020-01-21 15:23
313,167	43,867	54,587	74,202	2,279	2,462	55502,428	55356,012	65,844	16,768	3,795	7,764	52,750	9,376	957,976	2020-01-21 15:23
313,500	43,849	54,577	74,181	2,275	2,461	55509,137	55316,707	69,950	16,646	3,818	7,712	53,035	9,402	957,851	2020-01-21 15:23
313,834	43,857	54,568	74,090	2,275	2,462	55480,789	55107,037	68,704	16,496	3,733	7,795	52,990	9,398	957,757	2020-01-21 15:24
314,167	43,834	54,580	74,319	2,274	2,462	55549,167	55709,567	81,194	16,803	3,344	7,738	53,062	9,404	957,757	2020-01-21 15:24
314,500	43,772	54,558	74,227	2,277	2,458	55757,371	55433,344	62,066	16,671	3,885	7,711	53,081	9,406	957,663	2020-01-21 15:24
314,834	43,710	54,527	74,355	2,277	2,459	55926,212	55889,873	69,192	16,663	3,746	7,692	53,077	9,405	957,570	2020-01-21 15:25
315,167	43,703	54,494	74,279	2,274	2,460	55890,539	55798,208	61,478	16,033	4,062	7,651	52,844	9,385	957,570	2020-01-21 15:25
315,500	43,723	54,508	74,352	2,274	2,457	55914,615	55898,152	91,125	16,767	3,398	7,709	52,594	9,363	957,476	2020-01-21 15:25
315,833	43,699	54,515	74,463	2,279	2,461	56107,229	56267,830	83,990	17,186	3,355	7,746	52,521	9,356	957,347	2020-01-21 15:26
316,167	43,718	54,514	74,482	2,277	2,460	56033,849	56320,713	744,575	17,783	2,618	7,786	52,675	9,370	957,253	2020-01-21 15:26
316,500	43,855	54,531	74,383	2,276	2,459	55697,958	55971,207	151,312	17,486	2,992	7,872	52,858	9,386	957,253	2020-01-21 15:26
316,833	43,979	54,619	74,520	2,277	2,458	55606,281	56085,542	74,884	16,448	3,869	7,728	53,026	9,401	957,160	2020-01-21 15:27
317,167	44,020	54,708	74,634	2,277	2,460	55681,674	56196,296	81,796	16,468	4,009	7,753	52,720	9,374	957,160	2020-01-21 15:27
317,500	44,008	54,756	74,611	2,276	2,458	55746,888	55952,219	96,298	16,335	4,199	7,745	52,743	9,376	956,972	2020-01-21 15:27
317,833	43,965	54,751	74,526	2,273	2,459	55833,274	55736,264	75,254	16,066	4,191	7,741	53,005	9,399	957,066	2020-01-21 15:28
318,167	43,934	54,723	74,483	2,277	2,460	55935,719	55726,733	93,139	16,188	3,931	7,774	52,723	9,374	956,967	2020-01-21 15:28
318,500	43,933	54,707	74,449	2,274	2,458	55853,362	55625,250	96,455	16,910	3,561	7,728	52,513	9,355	956,847	2020-01-21 15:28
318,833	43,930	54,704	74,373	2,273	2,456	55831,445	55370,513	101,273	17,144	3,423	7,722	52,859	9,386	956,753	2020-01-21 15:29
319,167	43,930	54,695	74,617	2,276	2,456	55896,443	56089,577	60,900	16,585	3,690	7,748	52,604	9,363	956,660	2020-01-21 15:29
319,500	43,860	54,708	74,513	2,278	2,458	56197,525	55802,692	75,869	16,988	3,500	7,738	52,722	9,374	956,566	2020-01-21 15:29

Pellematic 56_cat IV_run 2_200121 underlag till rådata PDF.DAT

Category: IV

	301	302	304	305	306	308	317	1311	1312	1313	1314	1315	1316	1317	1318	1101	1102
Mättid	CO chimney	CO2 chimney	Pdyn	Pstat	Static pressure chimney	O2 chimney	Våg	Flue gas temp	Ambient	Flue gas at pitot	filter temp 1	filter temp 2	gas meter temp 1	gas meter temp 2	gasmeter temp ambient		T4 outlet load side
Minuter	VDC	VDC	VDC	VDC	VDC	VDC	VDC	°C	°C	°C	°C	°C	°C	°C	°C	°C	°C
319,834	0,228	0,859	1,321	0,193	0,017	0,138	0,825	131,583	19,767	34,571	25,126	23,859	20,979	20,768	29,067	20,687	65,274
320,167	0,226	0,835	1,319	0,194	0,014	0,153	0,824	131,545	19,806	34,611	25,134	23,859	20,960	20,767	29,080	20,688	65,270
320,500	0,227	0,836	1,328	0,194	0,019	0,137	0,823	131,547	19,820	34,300	25,137	23,872	20,979	20,791	29,075	20,698	65,233
320,834	0,225	0,861	1,325	0,194	0,017	0,139	0,822	131,496	19,837	34,263	25,088	23,854	20,962	20,769	29,054	20,687	65,166
321,167	0,220	0,843	1,320	0,194	0,011	0,146	0,820	131,433	19,887	34,229	25,108	23,858	20,965	20,779	29,070	20,686	65,154
321,500	0,220	0,841	1,323	0,194	0,018	0,131	0,819	131,487	19,872	34,334	25,116	23,872	20,965	20,773	29,077	20,695	65,177
321,834	0,226	0,873	1,320	0,194	0,011	0,108	0,818	131,525	19,787	34,661	25,133	23,863	20,970	20,783	29,081	20,696	65,184
322,167	0,243	0,891	1,313	0,194	0,013	0,111	0,817	131,530	19,839	34,401	25,118	23,867	20,971	20,773	29,070	20,691	65,204
322,500	0,228	0,870	1,312	0,194	0,011	0,126	0,816	131,499	19,838	34,587	25,131	23,879	20,979	20,786	29,071	20,695	65,217
322,833	0,231	0,855	1,317	0,193	0,019	0,129	0,816	131,522	19,771	34,592	25,115	23,868	20,958	20,777	29,072	20,681	65,279
323,167	0,248	0,866	1,317	0,194	0,017	0,114	0,814	131,553	19,718	34,726	25,129	23,876	20,973	20,772	29,077	20,683	65,342
323,500	0,247	0,878	1,324	0,195	0,016	0,125	0,813	131,565	19,814	34,468	25,119	23,872	20,973	20,778	29,070	20,682	65,370
323,833	0,226	0,858	1,321	0,196	0,014	0,135	0,812	131,583	19,799	34,537	25,139	23,874	20,959	20,777	29,077	20,679	65,386
324,167	0,223	0,851	1,320	0,195	0,011	0,131	0,811	131,523	19,826	34,358	25,111	23,868	20,954	20,764	29,088	20,676	65,434
324,500	0,226	0,859	1,326	0,196	0,015	0,135	0,810	131,509	19,818	34,119	25,091	23,855	20,972	20,774	29,084	20,685	65,462
324,833	0,223	0,845	1,325	0,193	0,017	0,149	0,808	131,503	19,840	34,112	25,075	23,857	20,966	20,777	29,092	20,685	65,428
325,167	0,226	0,847	1,326	0,196	0,019	0,130	0,808	131,554	19,831	34,183	25,075	23,863	20,977	20,774	29,092	20,688	65,428
325,500	0,227	0,856	1,329	0,193	0,010	0,136	0,806	131,526	19,859	34,275	25,087	23,850	20,973	20,773	29,093	20,683	65,391
325,833	0,228	0,843	1,326	0,195	0,015	0,141	0,806	131,517	19,854	34,489	25,098	23,860	20,984	20,785	29,129	20,690	65,389
326,167	0,228	0,866	1,325	0,194	0,022	0,126	0,805	131,549	19,815	34,548	25,102	23,870	20,977	20,782	29,129	20,687	65,373
326,500	0,229	0,860	1,322	0,193	0,017	0,128	0,803	131,585	19,848	34,393	25,100	23,868	20,961	20,766	29,114	20,679	65,326
326,834	0,230	0,876	1,319	0,194	0,015	0,097	0,802	131,660	19,836	34,666	25,123	23,860	20,977	20,769	29,119	20,678	65,291
327,167	0,281	0,908	1,322	0,192	0,012	0,084	0,801	131,730	19,780	34,615	25,119	23,876	20,982	20,776	29,130	20,685	65,282
327,500	0,270	0,901	1,322	0,193	0,016	0,115	0,800	131,700	19,791	34,689	25,128	23,877	20,967	20,774	29,104	20,679	65,283
327,834	0,228	0,866	1,325	0,193	0,016	0,124	0,799	131,681	19,789	34,545	25,107	23,859	20,959	20,772	29,082	20,673	65,316
328,167	0,230	0,863	1,333	0,193	0,011	0,118	0,798	131,670	19,812	34,501	25,103	23,875	20,968	20,768	29,093	20,675	65,307
328,500	0,231	0,869	1,317	0,194	0,013	0,120	0,796	131,690	19,812	34,412	25,110	23,872	20,967	20,778	29,101	20,678	65,288
328,833	0,238	0,878	1,320	0,193	0,013	0,121	0,795	131,713	19,833	34,169	25,067	23,865	20,974	20,793	29,104	20,687	65,267
329,167	0,226	0,850	1,322	0,194	0,015	0,146	0,795	131,627	19,821	34,346	25,087	23,868	20,974	20,792	29,092	20,687	65,247
329,500	0,226	0,844	1,322	0,194	0,014	0,131	0,793	131,584	19,838	34,417	25,084	23,855	20,973	20,779	29,083	20,683	65,233
329,833	0,231	0,855	1,322	0,193	0,010	0,135	0,792	131,590	19,801	34,469	25,082	23,874	20,976	20,787	29,073	20,688	65,214
330,167	0,228	0,859	1,320	0,194	0,015	0,132	0,792	131,608	19,863	34,504	25,076	23,838	20,969	20,767	29,044	20,673	65,174
330,500	0,226	0,860	1,316	0,195	0,015	0,127	0,790	131,616	19,804	34,358	25,062	23,853	20,967	20,781	29,044	20,675	65,114
330,833	0,230	0,860	1,324	0,196	0,011	0,124	0,789	131,652	19,782	34,446	25,083	23,853	20,968	20,773	29,066	20,673	65,086
331,167	0,232	0,872	1,322	0,194	0,012	0,113	0,788	131,685	19,833	34,490	25,101	23,863	20,980	20,781	29,079	20,685	65,037
331,500	0,227	0,878	1,319	0,194	0,017	0,132	0,787	131,645	19,846	34,387	25,076	23,843	20,966	20,770	29,071	20,673	65,007
331,833	0,228	0,851	1,316	0,195	0,019	0,129	0,786	131,641	19,838	34,485	25,093	23,858	20,965	20,778	29,077	20,675	64,979

Pellematic 56_cat IV_run 2_200121 underlag till rådata PDF.DAT

Category: IV

	1103	1108	1109	130	230	101	102	1	2	3	6	7	8	11	
Mättid	T3 inlet load side	T2 inlet boiler	T1 outlet boiler	Flow load side	Flow boiler side	Heat output load side	Heat output boiler	CO chimney	CO2 chimney	O2 chimney	Pstat	Pdyn	Tunnel velocity	Våg	Tidpunkt
Minuter	°C	°C	°C	m³/h	m³/h	W	W	ppm	%	%	Pa	Pa	m/s	kg	Klockan
319,834	43,798	54,674	74,683	2,275	2,455	56222,941	56319,908	79,930	16,329	4,149	7,719	53,095	9,407	956,566	2020-01-21 15:30
320,167	43,703	54,641	74,617	2,271	2,457	56374,701	56264,759	65,814	15,647	4,595	7,772	52,813	9,382	956,472	2020-01-21 15:30
320,500	43,552	54,586	74,424	2,272	2,455	56694,035	55830,969	74,220	15,957	4,123	7,756	52,942	9,393	956,462	2020-01-21 15:30
320,834	43,552	54,492	74,559	2,272	2,455	56527,926	56481,510	58,272	16,487	4,177	7,779	52,968	9,396	956,348	2020-01-21 15:31
321,167	43,635	54,471	74,505	2,276	2,460	56365,627	56510,374	51,668	16,182	4,365	7,763	52,796	9,380	956,254	2020-01-21 15:31
321,500	43,695	54,519	74,423	2,271	2,459	56152,542	56102,216	56,692	16,193	3,921	7,771	53,025	9,401	956,160	2020-01-21 15:31
321,834	43,743	54,556	74,458	2,271	2,456	56046,619	56039,626	72,399	16,878	3,248	7,756	52,909	9,390	956,097	2020-01-21 15:32
322,167	43,821	54,583	74,406	2,274	2,465	55966,842	56005,615	141,099	17,171	3,341	7,780	52,364	9,342	956,066	2020-01-21 15:32
322,500	44,076	54,629	74,621	2,273	2,456	55292,826	56282,254	71,510	16,679	3,792	7,764	52,522	9,356	955,973	2020-01-21 15:32
322,833	44,285	54,758	74,410	2,275	2,459	54961,343	55381,756	88,496	16,359	3,883	7,719	52,833	9,384	955,973	2020-01-21 15:33
323,167	44,372	54,882	74,566	2,273	2,460	54852,735	55495,672	126,295	16,657	3,433	7,744	52,693	9,371	955,847	2020-01-21 15:33
323,500	44,503	54,962	74,429	2,277	2,461	54673,325	54902,984	91,824	16,723	3,758	7,791	52,847	9,385	955,754	2020-01-21 15:33
323,833	44,728	55,029	74,377	2,276	2,459	54084,842	54519,450	62,187	16,386	4,042	7,851	52,766	9,378	955,754	2020-01-21 15:34
324,167	44,710	55,135	74,363	2,276	2,460	54257,674	54220,170	58,963	16,287	3,917	7,820	52,948	9,394	955,660	2020-01-21 15:34
324,500	44,544	55,153	74,387	2,273	2,457	54697,980	54156,813	62,746	16,334	4,044	7,832	53,254	9,421	955,566	2020-01-21 15:34
324,833	44,404	55,076	74,439	2,274	2,457	55015,409	54520,824	64,451	16,121	4,468	7,715	53,123	9,409	955,473	2020-01-21 15:35
325,167	44,273	55,001	74,534	2,274	2,459	55358,273	55045,291	76,067	16,556	3,891	7,824	53,236	9,419	955,472	2020-01-21 15:35
325,500	44,143	54,935	74,476	2,276	2,459	55641,147	55082,179	64,191	16,313	4,083	7,716	53,035	9,402	955,350	2020-01-21 15:35
325,833	44,053	54,876	74,487	2,276	2,460	55872,631	55302,640	78,545	15,873	4,217	7,785	53,190	9,415	955,350	2020-01-21 15:36
326,167	43,825	54,825	74,607	2,276	2,462	56457,012	55815,832	75,995	16,800	3,770	7,776	52,902	9,390	955,256	2020-01-21 15:36
326,500	43,641	54,700	74,595	2,272	2,457	56702,879	56031,911	75,658	16,625	3,843	7,710	52,710	9,373	955,162	2020-01-21 15:36
326,834	43,569	54,596	74,592	2,274	2,460	56858,998	56400,733	78,096	17,253	2,906	7,745	52,730	9,375	955,069	2020-01-21 15:37
327,167	43,585	54,565	74,625	2,277	2,466	56868,280	56700,078	258,113	17,673	2,515	7,692	53,040	9,402	955,069	2020-01-21 15:37
327,500	43,608	54,553	74,640	2,274	2,461	56736,951	56659,282	89,692	17,197	3,462	7,728	52,994	9,398	954,975	2020-01-21 15:37
327,834	43,545	54,572	74,639	2,273	2,458	56950,387	56546,080	71,186	16,804	3,716	7,711	52,882	9,388	954,850	2020-01-21 15:38
328,167	43,451	54,546	74,743	2,277	2,464	57281,673	57043,265	79,979	16,643	3,529	7,717	53,354	9,430	954,850	2020-01-21 15:38
328,500	43,403	54,491	74,640	2,273	2,460	57258,600	56815,009	83,701	16,525	3,603	7,772	52,493	9,354	954,756	2020-01-21 15:38
328,833	43,379	54,456	74,736	2,277	2,459	57359,236	57162,574	94,283	16,997	3,625	7,733	52,766	9,378	954,662	2020-01-21 15:39
329,167	43,368	54,432	74,670	2,275	2,459	57287,755	57043,634	67,602	16,046	4,386	7,773	52,786	9,380	954,662	2020-01-21 15:39
329,500	43,374	54,423	74,621	2,276	2,459	57259,772	56941,461	69,093	16,266	3,932	7,747	52,984	9,397	954,569	2020-01-21 15:39
329,833	43,345	54,417	74,512	2,276	2,462	57286,317	56718,740	76,980	16,171	4,055	7,722	52,720	9,374	954,569	2020-01-21 15:40
330,167	43,303	54,398	74,328	2,276	2,459	57297,878	56178,523	77,197	16,542	3,951	7,773	52,696	9,372	954,475	2020-01-21 15:40
330,500	43,252	54,345	74,460	2,274	2,455	57234,170	56622,280	64,034	16,658	3,800	7,783	52,721	9,374	954,350	2020-01-21 15:40
330,833	43,208	54,299	74,432	2,271	2,458	57200,630	56736,456	73,157	16,457	3,728	7,821	52,901	9,390	954,257	2020-01-21 15:41
331,167	43,168	54,265	74,323	2,274	2,459	57247,038	56539,590	73,422	16,773	3,398	7,771	52,918	9,391	954,257	2020-01-21 15:41
331,500	43,144	54,232	74,412	2,271	2,458	57166,761	56882,053	71,911	16,789	3,949	7,766	52,801	9,381	954,163	2020-01-21 15:41
331,833	43,120	54,208	74,382	2,273	2,456	57192,013	56813,062	77,583	16,535	3,855	7,809	52,772	9,378	954,069	2020-01-21 15:42

Pellematic 56_cat IV_run 2_200121 underlag till rådata PDF.DAT

Category: IV

	301	302	304	305	306	308	317	1311	1312	1313	1314	1315	1316	1317	1318	1101	1102
Mättid	CO chimney	CO2 chimney	Pdyn	Pstat	Static pressure chimney	O2 chimney	Våg	Flue gas temp	Ambient	Flue gas at pitot	filter temp 1	filter temp 2	gas meter temp 1	gas meter temp 2	gasmeter temp ambient		T4 outlet load side
Minuter	VDC	VDC	VDC	VDC	VDC	VDC	VDC	°C	°C	°C	°C	°C	°C	°C	°C	°C	°C
332,167	0,226	0,862	1,320	0,193	0,016	0,131	0,785	131,645	19,778	34,620	25,105	23,849	20,975	20,772	29,073	20,677	64,954
332,500	0,226	0,843	1,321	0,195	0,017	0,149	0,784	131,607	19,768	34,644	25,134	23,860	20,969	20,779	29,075	20,678	64,943
332,834	0,224	0,833	1,320	0,195	0,012	0,153	0,784	131,551	19,825	34,608	25,103	23,849	20,970	20,768	29,081	20,671	64,928
333,167	0,226	0,847	1,307	0,195	0,019	0,134	0,782	131,572	19,817	34,678	25,110	23,849	20,980	20,771	29,084	20,674	64,898
333,500	0,223	0,864	1,314	0,193	0,018	0,118	0,781	131,575	19,825	34,412	25,097	23,839	20,972	20,775	29,093	20,667	64,871
333,834	0,224	0,865	1,322	0,194	0,014	0,130	0,780	131,555	19,843	34,302	25,092	23,841	20,980	20,776	29,100	20,672	64,838
334,167	0,227	0,856	1,319	0,194	0,012	0,135	0,779	131,538	19,783	34,506	25,087	23,832	20,979	20,773	29,110	20,669	64,824
334,500	0,229	0,851	1,325	0,193	0,014	0,147	0,779	131,503	19,761	34,243	25,066	23,834	20,968	20,771	29,100	20,666	64,791
334,834	0,228	0,816	1,326	0,192	0,011	0,163	0,777	131,435	19,811	34,330	25,063	23,842	20,978	20,777	29,110	20,677	64,751
335,167	0,230	0,838	1,323	0,193	0,020	0,136	0,776	131,467	19,826	34,385	25,072	23,819	20,978	20,772	29,097	20,672	64,725
335,500	0,231	0,869	1,324	0,190	0,014	0,124	0,775	131,495	19,846	34,589	25,085	23,828	20,972	20,767	29,083	20,669	64,692
335,833	0,230	0,872	1,326	0,193	0,014	0,111	0,774	131,545	19,830	34,745	25,104	23,834	20,978	20,764	29,077	20,667	64,638
336,167	0,238	0,882	1,325	0,194	0,015	0,109	0,772	131,531	19,804	34,354	25,071	23,834	20,981	20,775	29,071	20,671	64,582
336,500	0,240	0,881	1,326	0,193	0,014	0,110	0,771	131,570	19,798	34,225	25,044	23,826	20,975	20,763	29,064	20,665	64,576
336,833	0,235	0,887	1,322	0,195	0,012	0,114	0,771	131,579	19,857	34,286	25,040	23,827	20,977	20,781	29,071	20,673	64,572
337,167	0,228	0,865	1,319	0,195	0,017	0,122	0,769	131,550	19,850	34,419	25,035	23,824	20,975	20,775	29,069	20,667	64,562
337,500	0,230	0,865	1,322	0,195	0,016	0,125	0,768	131,535	19,830	34,268	25,037	23,825	20,982	20,780	29,072	20,675	64,595
337,833	0,228	0,864	1,324	0,194	0,011	0,129	0,767	131,540	19,761	34,365	25,057	23,825	20,982	20,768	29,074	20,674	64,581
338,167	0,227	0,860	1,318	0,195	0,008	0,131	0,766	131,543	19,811	34,560	25,062	23,831	20,985	20,761	29,060	20,668	64,578
338,500	0,234	0,872	1,317	0,196	0,011	0,110	0,764	131,560	19,751	34,436	25,065	23,820	20,971	20,757	29,037	20,662	64,552
338,833	0,231	0,877	1,322	0,193	0,014	0,114	0,763	131,603	19,841	34,474	25,072	23,826	20,983	20,773	29,049	20,674	64,556
339,167	0,229	0,873	1,323	0,193	0,018	0,121	0,763	131,613	19,788	34,694	25,082	23,831	20,987	20,769	29,038	20,669	64,524
339,500	0,227	0,870	1,320	0,193	0,017	0,126	0,761	131,600	19,822	34,634	25,099	23,858	21,005	20,779	29,051	20,691	64,499
339,834	0,229	0,861	1,318	0,194	0,017	0,127	0,760	131,556	19,852	34,441	25,064	23,819	20,968	20,752	29,032	20,665	64,462
340,167	0,231	0,856	1,328	0,194	0,016	0,129	0,758	131,537	19,796	34,150	25,043	23,808	20,966	20,753	29,018	20,659	64,461
340,500	0,230	0,858	1,323	0,192	0,021	0,127	0,758	131,514	19,814	34,297	25,043	23,815	20,969	20,752	29,014	20,659	64,440
340,834	0,241	0,880	1,325	0,191	0,011	0,113	0,756	131,536	19,769	34,520	25,050	23,812	20,962	20,754	29,045	20,665	64,422
341,167	0,231	0,875	1,320	0,191	0,013	0,115	0,756	131,532	19,817	34,659	25,079	23,807	20,971	20,751	29,052	20,657	64,404
341,500	0,230	0,879	1,322	0,193	0,013	0,109	0,755	131,598	19,867	34,637	25,078	23,821	20,977	20,776	29,061	20,665	64,416
341,834	0,271	0,890	1,321	0,191	0,014	0,094	0,753	131,660	19,903	34,636	25,089	23,819	20,972	20,754	29,056	20,663	64,430
342,167	0,311	0,911	1,315	0,194	0,017	0,093	0,752	131,666	19,884	34,484	25,072	23,809	20,975	20,771	29,063	20,659	64,435
342,500	0,273	0,894	1,328	0,194	0,018	0,112	0,751	131,607	19,799	34,036	25,027	23,805	20,977	20,769	29,060	20,662	64,432
342,833	0,235	0,846	1,324	0,195	0,016	0,141	0,750	131,551	19,763	34,215	25,033	23,798	20,983	20,763	29,074	20,660	64,462
343,167	0,235	0,861	1,322	0,192	0,012	0,122	0,748	131,524	19,825	34,214	25,019	23,798	20,966	20,752	29,076	20,653	64,475
343,500	0,236	0,877	1,325	0,192	0,012	0,122	0,748	131,550	19,826	34,373	25,002	23,783	20,971	20,763	29,081	20,657	64,480
343,833	0,232	0,869	1,326	0,193	0,012	0,123	0,747	131,481	19,848	34,598	25,021	23,796	20,976	20,766	29,086	20,657	64,472
344,167	0,230	0,845	1,320	0,194	0,013	0,150	0,746	131,426	19,816	34,234	24,987	23,783	20,961	20,764	29,083	20,649	64,460

Pellematic 56_cat IV_run 2_200121 underlag till rådata PDF.DAT

Category: IV

	1103	1108	1109	130	230	101	102	1	2	3	6	7	8	11	
Mättid	T3 inlet load side	T2 inlet boiler	T1 outlet boiler	Flow load side	Flow boiler side	Heat output load side	Heat output boiler	CO chimney	CO2 chimney	O2 chimney	Pstat	Pdyn	Tunnel velocity	Våg	Tidpunkt
Minuter	°C	°C	°C	m³/h	m³/h	W	W	ppm	%	%	Pa	Pa	m/s	kg	Klockan
332,167	43,140	54,181	74,442	2,274	2,459	57108,100	57117,543	69,075	16,532	3,923	7,728	52,788	9,380	954,069	2020-01-21 15:42
332,500	43,155	54,176	74,361	2,270	2,455	56947,881	56819,889	68,058	15,861	4,460	7,784	52,911	9,391	953,975	2020-01-21 15:42
332,834	43,167	54,177	74,292	2,275	2,457	56989,269	56663,653	62,992	15,762	4,603	7,797	52,718	9,374	953,975	2020-01-21 15:43
333,167	43,175	54,183	74,275	2,277	2,459	56952,851	56638,115	63,827	16,394	4,009	7,810	52,419	9,347	953,850	2020-01-21 15:43
333,500	43,143	54,162	74,203	2,275	2,457	56910,739	56457,060	60,878	16,738	3,532	7,731	52,688	9,371	953,757	2020-01-21 15:43
333,834	43,109	54,136	74,236	2,271	2,457	56813,008	56622,621	63,532	16,410	3,889	7,746	52,829	9,383	953,756	2020-01-21 15:44
334,167	43,093	54,123	74,161	2,274	2,461	56885,729	56547,560	81,605	16,367	4,055	7,744	52,622	9,365	953,663	2020-01-21 15:44
334,500	43,079	54,108	74,165	2,275	2,462	56874,539	56618,148	68,486	16,205	4,407	7,713	53,002	9,399	953,663	2020-01-21 15:44
334,834	43,064	54,073	74,151	2,276	2,458	56819,634	56582,059	74,506	15,183	4,884	7,680	52,873	9,387	953,569	2020-01-21 15:45
335,167	43,028	54,051	73,961	2,274	2,459	56804,071	56140,377	79,103	16,067	4,066	7,711	52,953	9,394	953,475	2020-01-21 15:45
335,500	42,988	54,037	73,897	2,273	2,458	56783,328	55972,724	83,793	16,776	3,723	7,616	52,939	9,393	953,347	2020-01-21 15:45
335,833	42,951	53,989	73,878	2,273	2,457	56743,314	56033,659	75,564	17,029	3,329	7,714	53,030	9,401	953,347	2020-01-21 15:46
336,167	42,952	53,935	73,929	2,271	2,459	56554,651	56365,464	81,344	16,964	3,282	7,772	52,844	9,385	953,254	2020-01-21 15:46
336,500	42,965	53,928	73,909	2,273	2,457	56545,964	56291,507	116,573	16,938	3,288	7,702	53,193	9,416	953,160	2020-01-21 15:46
336,833	43,001	53,936	73,932	2,276	2,459	56509,669	56378,443	88,304	17,201	3,431	7,790	52,898	9,390	953,160	2020-01-21 15:47
337,167	43,015	53,938	73,901	2,271	2,457	56337,610	56240,004	77,582	16,648	3,653	7,813	52,863	9,386	953,066	2020-01-21 15:47
337,500	42,986	53,963	73,976	2,273	2,456	56534,997	56362,820	70,048	16,503	3,755	7,801	53,020	9,400	952,972	2020-01-21 15:47
337,833	42,955	53,944	73,864	2,276	2,460	56661,358	56198,375	77,961	16,463	3,864	7,742	52,918	9,391	952,847	2020-01-21 15:48
338,167	42,947	53,936	73,793	2,274	2,460	56633,223	56015,641	73,189	16,525	3,918	7,797	52,558	9,359	952,847	2020-01-21 15:48
338,500	42,916	53,928	73,833	2,277	2,460	56718,103	56147,658	90,129	17,074	3,308	7,822	52,581	9,361	952,754	2020-01-21 15:48
338,833	42,862	53,906	73,804	2,273	2,460	56765,054	56134,812	73,585	16,855	3,415	7,726	52,696	9,372	952,660	2020-01-21 15:49
339,167	42,822	53,875	73,860	2,274	2,459	56821,068	56344,457	71,154	16,683	3,622	7,739	52,707	9,373	952,660	2020-01-21 15:49
339,500	42,775	53,835	73,917	2,274	2,460	56879,742	56653,957	73,038	16,717	3,789	7,716	52,776	9,379	952,566	2020-01-21 15:49
339,834	42,776	53,806	74,042	2,274	2,460	56782,571	57089,571	70,038	16,587	3,814	7,774	53,025	9,401	952,472	2020-01-21 15:50
340,167	42,810	53,804	73,874	2,273	2,460	56649,807	56623,219	73,336	16,323	3,868	7,756	53,048	9,403	952,348	2020-01-21 15:50
340,500	42,813	53,815	73,759	2,274	2,461	56618,979	56281,378	77,583	16,279	3,824	7,673	53,035	9,402	952,348	2020-01-21 15:50
340,834	42,813	53,805	73,764	2,276	2,461	56618,596	56330,979	135,222	17,137	3,383	7,633	53,132	9,410	952,254	2020-01-21 15:51
341,167	42,793	53,793	73,814	2,274	2,459	56572,702	56444,987	72,093	16,833	3,455	7,648	52,862	9,386	952,254	2020-01-21 15:51
341,500	42,786	53,788	73,699	2,275	2,462	56645,535	56204,834	77,415	16,985	3,256	7,728	52,951	9,394	952,153	2020-01-21 15:51
341,834	42,791	53,793	73,783	2,273	2,459	56616,272	56356,231	280,697	17,299	2,818	7,659	52,847	9,385	952,067	2020-01-21 15:52
342,167	42,775	53,789	73,804	2,274	2,459	56710,581	56433,618	323,739	17,691	2,800	7,757	52,646	9,367	951,973	2020-01-21 15:52
342,500	42,787	53,787	73,787	2,276	2,461	56719,464	56432,156	135,994	17,317	3,373	7,747	53,084	9,406	951,848	2020-01-21 15:52
342,833	42,801	53,808	73,813	2,272	2,459	56668,217	56402,983	86,482	15,800	4,227	7,815	52,837	9,384	951,848	2020-01-21 15:53
343,167	42,795	53,800	73,967	2,274	2,459	56760,387	56854,819	98,661	16,529	3,657	7,697	52,923	9,392	951,754	2020-01-21 15:53
343,500	42,793	53,814	73,800	2,276	2,461	56823,393	56388,140	90,423	16,989	3,659	7,694	53,063	9,404	951,754	2020-01-21 15:53
343,833	42,765	53,805	73,947	2,276	2,465	56870,799	56926,392	86,813	16,910	3,685	7,720	52,876	9,388	951,731	2020-01-21 15:54
344,167	42,709	53,792	73,905	2,274	2,460	56953,205	56744,492	74,489	15,803	4,501	7,752	52,967	9,396	951,566	2020-01-21 15:54

Pellematic 56_cat IV_run 2_200121 underlag till rådata PDF.DAT

Category: IV

	301	302	304	305	306	308	317	1311	1312	1313	1314	1315	1316	1317	1318	1101	1102
Mättid	CO chimney	CO2 chimney	Pdyn	Pstat	Static pressure chimney	O2 chimney	Våg	Flue gas temp	Ambient	Flue gas at pitot	filter temp 1	filter temp 2	gas meter temp 1	gas meter temp 2	gasmeter temp ambient		T4 outlet load side
Minuter	VDC	VDC	VDC	VDC	VDC	VDC	VDC	°C	°C	°C	°C	°C	°C	°C	°C	°C	°C
344,500	0,226	0,822	1,319	0,194	0,015	0,170	0,746	131,372	19,853	34,318	25,016	23,793	20,986	20,786	29,095	20,665	64,446
344,833	0,224	0,817	1,328	0,195	0,018	0,161	0,744	131,269	19,829	34,179	24,987	23,784	20,969	20,764	29,072	20,653	64,410
345,167	0,224	0,826	1,328	0,193	0,021	0,157	0,744	131,259	19,845	34,269	24,993	23,790	20,975	20,775	29,066	20,651	64,353
345,500	0,226	0,836	1,323	0,194	0,017	0,129	0,742	131,281	19,865	34,221	25,000	23,782	20,964	20,762	29,055	20,647	64,316
345,833	0,240	0,877	1,316	0,193	0,014	0,118	0,741	131,257	19,804	34,449	24,989	23,773	20,963	20,771	29,059	20,645	64,304
346,167	0,229	0,885	1,309	0,194	0,017	0,107	0,740	131,224	19,798	34,693	25,014	23,780	20,961	20,765	29,060	20,645	64,278
346,500	0,225	0,868	1,314	0,196	0,016	0,130	0,739	131,178	19,859	34,193	24,998	23,750	20,965	20,758	29,055	20,642	64,265
346,834	0,222	0,840	1,327	0,195	0,016	0,146	0,738	131,211	19,836	34,056	24,981	23,768	20,955	20,764	29,065	20,643	64,215
347,167	0,224	0,844	1,325	0,192	0,017	0,142	0,736	131,208	19,866	34,326	24,995	23,765	20,970	20,753	29,058	20,643	64,164
347,500	0,227	0,855	1,314	0,197	0,022	0,136	0,736	131,227	19,891	34,244	24,991	23,777	20,971	20,765	29,050	20,649	64,149
347,834	0,229	0,849	1,321	0,194	0,017	0,136	0,735	131,227	19,881	34,276	25,011	23,774	20,979	20,761	29,057	20,651	64,094
348,167	0,229	0,836	1,329	0,194	0,022	0,150	0,734	131,186	19,861	34,437	25,026	23,788	20,971	20,774	29,045	20,655	64,032
348,500	0,225	0,839	1,335	0,194	0,021	0,139	0,733	131,144	19,856	34,272	25,030	23,793	20,988	20,776	29,036	20,659	64,038
348,834	0,224	0,865	1,320	0,194	0,024	0,129	0,731	131,101	19,858	34,487	25,041	23,802	20,994	20,788	29,033	20,668	64,005
349,167	0,223	0,863	1,322	0,192	0,018	0,117	0,730	131,066	19,882	34,123	25,017	23,802	21,007	20,796	29,049	20,677	63,988
349,500	0,226	0,875	1,323	0,193	0,014	0,114	0,729	131,092	19,940	34,374	25,067	23,840	21,029	20,826	29,093	20,707	63,988
349,833	0,232	0,884	1,318	0,193	0,018	0,108	0,728	131,085	19,881	34,306	25,003	23,780	20,984	20,777	29,061	20,665	63,936
350,167	0,228	0,884	1,326	0,192	0,012	0,111	0,727	131,096	19,891	34,465	25,027	23,782	20,997	20,796	29,066	20,677	63,920
350,500	0,240	0,887	1,321	0,193	0,012	0,103	0,725	131,095	19,883	34,226	25,000	23,767	20,994	20,788	29,049	20,665	63,934
350,833	0,239	0,885	1,323	0,193	0,013	0,096	0,723	131,133	19,785	34,404	25,020	23,773	20,985	20,774	29,059	20,665	63,966
351,167	0,442	0,918	1,327	0,193	0,015	0,082	0,723	131,191	19,806	34,238	25,004	23,757	20,998	20,781	29,057	20,664	63,945
351,500	0,249	0,893	1,320	0,192	0,015	0,122	0,723	131,174	19,884	34,451	25,025	23,780	21,008	20,803	29,077	20,677	63,951
351,833	0,231	0,860	1,319	0,192	0,014	0,116	0,721	131,132	19,865	34,384	25,032	23,779	20,985	20,785	29,064	20,659	63,989
352,167	0,240	0,875	1,332	0,193	0,018	0,119	0,720	131,120	19,832	34,356	25,030	23,777	20,985	20,780	29,048	20,661	63,979
352,500	0,230	0,873	1,321	0,192	0,016	0,121	0,720	131,132	19,824	34,384	25,028	23,767	20,978	20,774	29,036	20,651	63,980
352,833	0,231	0,876	1,322	0,194	0,013	0,113	0,718	131,192	19,857	34,341	25,036	23,777	20,979	20,779	29,045	20,660	64,070
353,167	0,241	0,887	1,324	0,192	0,014	0,110	0,716	131,200	19,837	34,281	25,025	23,778	21,000	20,801	29,058	20,669	64,112
353,500	0,229	0,860	1,330	0,195	0,015	0,132	0,715	131,188	19,873	34,055	25,004	23,760	20,982	20,776	29,039	20,655	64,113
353,834	0,226	0,851	1,317	0,194	0,019	0,143	0,715	131,128	19,859	34,103	24,985	23,750	20,984	20,774	29,039	20,652	64,224
354,167	0,226	0,839	1,315	0,192	0,016	0,147	0,713	131,078	19,862	34,353	25,010	23,763	20,977	20,789	29,027	20,659	64,272
354,500	0,225	0,847	1,315	0,196	0,014	0,136	0,713	131,077	19,805	34,265	25,021	23,776	20,986	20,785	29,027	20,661	64,315
354,834	0,233	0,853	1,318	0,191	0,022	0,128	0,711	131,113	19,744	34,423	25,024	23,771	20,987	20,774	29,009	20,655	64,371
355,167	0,237	0,868	1,321	0,191	0,012	0,125	0,711	131,102	19,758	34,421	25,024	23,779	20,986	20,794	29,021	20,665	64,457
355,500	0,232	0,878	1,328	0,191	0,013	0,121	0,709	131,081	19,813	34,226	25,009	23,761	20,983	20,789	29,019	20,659	64,449
355,834	0,232	0,838	1,328	0,194	0,013	0,155	0,707	130,970	19,791	34,075	24,987	23,765	20,982	20,775	29,046	20,651	64,493
356,167	0,228	0,827	1,324	0,192	0,010	0,152	0,707	130,901	19,825	34,120	24,980	23,748	20,987	20,775	29,050	20,651	64,545
356,500	0,233	0,834	1,320	0,195	0,017	0,162	0,706	130,840	19,821	34,268	24,982	23,757	20,979	20,787	29,078	20,656	64,516

Pellematic 56_cat IV_run 2_200121 underlag till rådata PDF.DAT

Category: IV

	1103	1108	1109	130	230	101	102	1	2	3	6	7	8	11	
Mättid	T3 inlet load side	T2 inlet boiler	T1 outlet boiler	Flow load side	Flow boiler side	Heat output load side	Heat output boiler	CO chimney	CO2 chimney	O2 chimney	Pstat	Pdyn	Tunnel velocity	Våg	Tidpunkt
Minuter	°C	°C	°C	m³/h	m³/h	W	W	ppm	%	%	Pa	Pa	m/s	kg	Klockan
344,500	42,627	53,759	73,792	2,273	2,458	57093,447	56474,272	68,306	15,324	5,108	7,751	52,604	9,363	951,566	2020-01-21 15:54
344,833	42,596	53,706	73,884	2,271	2,460	57030,108	56926,150	58,432	15,671	4,832	7,796	53,100	9,407	951,472	2020-01-21 15:55
345,167	42,618	53,683	73,804	2,276	2,460	56966,039	56770,071	60,718	15,687	4,715	7,729	53,119	9,409	951,472	2020-01-21 15:55
345,500	42,671	53,663	73,688	2,274	2,460	56675,362	56499,027	69,689	16,091	3,883	7,757	52,914	9,391	951,350	2020-01-21 15:55
345,833	42,694	53,673	73,609	2,271	2,457	56507,604	56166,249	87,157	16,746	3,554	7,714	52,698	9,372	951,256	2020-01-21 15:56
346,167	42,655	53,655	73,582	2,271	2,458	56538,554	56176,533	78,165	17,427	3,210	7,751	52,347	9,341	951,256	2020-01-21 15:56
346,500	42,535	53,643	73,659	2,271	2,459	56827,556	56446,777	61,576	16,609	3,906	7,847	52,901	9,390	951,162	2020-01-21 15:56
346,834	42,435	53,586	73,603	2,271	2,460	56960,000	56460,763	55,930	15,772	4,394	7,809	52,950	9,394	951,069	2020-01-21 15:57
347,167	42,441	53,512	73,609	2,273	2,458	56848,384	56650,594	62,423	16,028	4,265	7,680	52,716	9,373	950,975	2020-01-21 15:57
347,500	42,352	53,496	73,479	2,274	2,464	57078,134	56465,253	73,070	16,541	4,081	7,882	52,511	9,355	950,975	2020-01-21 15:57
347,834	42,254	53,435	73,367	2,274	2,457	57195,009	56174,096	77,404	16,415	4,081	7,767	53,130	9,410	950,850	2020-01-21 15:58
348,167	42,366	53,364	73,369	2,274	2,458	56730,924	56406,490	66,354	15,602	4,508	7,769	53,220	9,418	950,850	2020-01-21 15:58
348,500	42,346	53,398	73,299	2,274	2,462	56804,896	56194,156	61,708	15,957	4,166	7,774	53,446	9,438	950,756	2020-01-21 15:58
348,834	42,332	53,385	73,413	2,276	2,464	56798,956	56588,834	64,682	16,693	3,868	7,753	52,850	9,385	950,662	2020-01-21 15:59
349,167	42,464	53,378	73,353	2,277	2,460	56427,479	56363,587	57,922	16,794	3,502	7,691	52,799	9,381	950,569	2020-01-21 15:59
349,500	42,392	53,427	73,243	2,277	2,462	56625,089	55959,160	64,479	16,725	3,426	7,740	52,954	9,395	950,569	2020-01-21 15:59
349,833	42,467	53,386	73,185	2,277	2,464	56288,401	55947,056	81,445	17,101	3,252	7,726	52,660	9,368	950,475	2020-01-21 16:00
350,167	42,585	53,396	73,227	2,274	2,459	55865,826	55916,831	75,368	17,135	3,340	7,674	53,033	9,402	950,350	2020-01-21 16:00
350,500	42,643	53,457	73,191	2,271	2,463	55675,447	55736,049	89,933	17,298	3,084	7,702	53,002	9,399	950,257	2020-01-21 16:00
350,833	42,563	53,494	73,277	2,274	2,462	56039,717	55854,083	92,886	16,996	2,885	7,720	52,885	9,388	950,179	2020-01-21 16:01
351,167	42,530	53,474	73,174	2,274	2,462	56076,260	55619,224	505,821	17,940	2,445	7,710	53,037	9,402	950,163	2020-01-21 16:01
351,500	42,636	53,447	73,282	2,274	2,460	55812,018	55966,626	87,666	16,948	3,658	7,672	52,956	9,395	950,163	2020-01-21 16:01
351,833	42,477	53,501	73,304	2,277	2,464	56403,456	55955,476	84,128	16,645	3,482	7,661	52,885	9,388	950,069	2020-01-21 16:02
352,167	42,454	53,451	73,320	2,279	2,467	56476,379	56209,289	84,004	16,583	3,569	7,716	53,192	9,416	949,975	2020-01-21 16:02
352,500	42,751	53,439	73,306	2,278	2,462	55687,573	56099,558	77,181	16,708	3,617	7,681	52,870	9,387	949,975	2020-01-21 16:02
352,833	42,801	53,588	73,402	2,277	2,465	55759,546	56018,181	81,454	17,053	3,381	7,777	52,754	9,377	949,850	2020-01-21 16:03
353,167	42,786	53,646	73,436	2,278	2,464	55937,192	55913,057	89,790	17,354	3,287	7,679	53,270	9,422	949,756	2020-01-21 16:03
353,500	43,155	53,653	73,505	2,276	2,463	54907,390	56076,640	73,503	16,320	3,972	7,792	53,054	9,403	949,662	2020-01-21 16:03
353,834	43,291	53,832	73,313	2,277	2,462	54855,799	54999,217	69,190	16,114	4,279	7,763	52,680	9,370	949,662	2020-01-21 16:04
354,167	43,338	53,926	73,445	2,278	2,460	54901,987	55061,848	66,732	15,992	4,403	7,669	52,461	9,351	949,569	2020-01-21 16:04
354,500	43,527	53,982	73,546	2,276	2,461	54466,699	55195,983	69,529	16,258	4,094	7,821	52,506	9,355	949,569	2020-01-21 16:04
354,834	43,726	54,075	73,508	2,276	2,462	54080,016	54855,471	80,543	16,285	3,827	7,638	52,761	9,377	949,474	2020-01-21 16:05
355,167	43,671	54,211	73,477	2,278	2,460	54498,525	54344,561	77,258	16,619	3,735	7,647	52,676	9,370	949,341	2020-01-21 16:05
355,500	43,729	54,196	73,667	2,280	2,462	54371,406	54961,440	85,972	17,127	3,631	7,652	53,182	9,415	949,247	2020-01-21 16:05
355,834	43,783	54,240	73,684	2,277	2,465	54275,832	54946,475	70,114	15,665	4,654	7,774	53,235	9,419	949,154	2020-01-21 16:06
356,167	43,647	54,298	73,672	2,279	2,464	54806,205	54722,070	85,138	15,706	4,568	7,692	52,922	9,392	949,154	2020-01-21 16:06
356,500	43,690	54,238	73,636	2,279	2,462	54616,264	54752,007	74,150	15,772	4,846	7,805	52,774	9,378	949,060	2020-01-21 16:06

Pellematic 56_cat IV_run 2_200121 underlag till rådata PDF.DAT

Category: IV

	301	302	304	305	306	308	317	1311	1312	1313	1314	1315	1316	1317	1318	1101	1102
Mättid	CO chimney	CO2 chimney	Pdyn	Pstat	Static pressure chimney	O2 chimney	Våg	Flue gas temp	Ambient	Flue gas at pitot	filter temp 1	filter temp 2	gas meter temp 1	gas meter temp 2	gasmeter temp ambient		T4 outlet load side
Minuter	VDC	VDC	VDC	VDC	VDC	VDC	VDC	°C	°C	°C	°C	°C	°C	°C	°C	°C	°C
356,833	0,229	0,820	1,330	0,192	0,014	0,148	0,704	130,833	19,849	34,072	24,966	23,762	20,994	20,789	29,084	20,661	64,523
357,167	0,226	0,834	1,319	0,191	0,012	0,152	0,703	130,854	19,881	34,399	25,018	23,764	20,994	20,797	29,092	20,664	64,582
357,500	0,232	0,857	1,326	0,191	0,016	0,121	0,702	130,894	19,838	34,236	24,997	23,764	20,988	20,772	29,072	20,655	64,636
357,833	0,237	0,871	1,326	0,194	0,022	0,127	0,701	130,919	19,832	34,038	24,973	23,754	20,995	20,788	29,085	20,657	64,669
358,167	0,227	0,854	1,329	0,195	0,021	0,134	0,700	130,926	19,799	33,979	24,961	23,735	20,995	20,772	29,088	20,651	64,560
358,500	0,228	0,844	1,324	0,194	0,019	0,152	0,700	130,911	19,755	34,260	24,975	23,742	20,986	20,774	29,091	20,647	64,463
358,833	0,225	0,837	1,325	0,192	0,016	0,140	0,698	130,968	19,780	34,204	24,979	23,747	20,991	20,781	29,079	20,648	64,469
359,167	0,248	0,875	1,328	0,194	0,011	0,101	0,696	131,048	19,833	34,025	24,982	23,747	21,002	20,784	29,080	20,655	64,575
359,500	0,308	0,904	1,330	0,194	0,015	0,083	0,695	131,090	19,839	34,459	24,997	23,746	20,992	20,777	29,079	20,652	64,644
359,833	0,331	0,908	1,332	0,193	0,019	0,106	0,693	131,129	19,788	34,607	24,994	23,748	20,987	20,781	29,085	20,652	64,700
360,167	0,231	0,872	1,323	0,194	0,020	0,121	0,693	131,159	19,755	34,654	25,014	23,751	20,986	20,782	29,095	20,651	64,771
360,500	0,227	0,868	1,326	0,195	0,012	0,119	0,713	131,190	19,743	34,452	24,108	23,348	20,996	20,760	28,988	20,655	64,817
360,834	0,228	0,867	1,321	0,198	0,009	0,122	0,690	131,159	19,787	34,243	23,053	22,841	20,995	20,724	28,828	20,649	64,916
361,167	0,234	0,867	1,323	0,208	0,016	0,119	0,690	130,435	19,869	32,522	23,009	22,807	20,988	20,725	28,794	20,652	65,072
361,500	0,222	0,874	1,323	0,209	0,016	0,146	0,689	129,182	19,800	31,066	22,979	22,775	20,988	20,723	28,784	20,647	65,115
361,834	0,218	0,773	1,334	0,211	0,015	0,248	0,689	127,936	19,835	29,957	22,946	22,745	20,984	20,724	28,796	20,653	65,080
362,167	0,214	0,656	1,338	0,210	0,019	0,348	0,690	126,771	19,818	29,397	22,920	22,716	20,981	20,734	28,788	20,647	65,062
362,500	0,209	0,478	1,344	0,209	0,019	0,600	0,690	125,677	19,861	29,074	22,871	22,695	20,975	20,737	28,811	20,649	64,953
362,833	0,200	0,222	1,346	0,210	0,013	0,698	0,690	124,643	19,838	28,688	22,845	-4988,135	20,968	20,743	28,812	20,649	64,678
363,167	0,199	0,205	1,343	0,209	0,016	0,699	0,692	123,617	19,794	28,355	22,798	-95,954	20,966	20,723	28,809	20,637	64,300
363,500	0,199	0,205	1,337	0,209	0,018	0,699	0,692	122,631	19,772	28,263	22,760	13,793	20,964	20,748	28,811	20,640	63,882
363,833	0,199	0,204	1,342	0,210	0,013	0,699	0,692	121,696	19,835	28,095	22,728	28,178	20,968	20,752	28,815	20,638	63,430
364,167	0,199	0,204	1,350	0,210	0,015	0,699	0,693	120,698	19,839	27,566	22,693	73,913	20,959	20,733	28,810	20,635	62,908
364,500	0,199	0,204	1,359	0,210	0,023	0,699	0,693	119,723	19,857	27,401	22,661	27,175	20,949	20,685	28,804	20,635	62,404
364,833	0,199	0,204	1,357	0,209	0,016	0,699	0,694	118,755	19,875	27,115	22,632	20,334	20,942	20,729	28,799	20,633	61,926
365,167	0,199	0,204	1,355	0,209	0,019	0,699	0,695	117,829	19,894	26,779	22,591	-6,399	20,936	20,771	28,801	20,634	61,418
365,500	0,199	0,204	1,356	0,207	0,016	0,699	0,695	116,891	19,815	26,688	22,545	12,301	20,944	20,757	28,817	20,631	60,892
365,833	0,199	0,204	1,369	0,206	0,019	0,699	0,695	115,998	19,874	26,559	-6,464	65,577	20,996	20,753	28,821	20,633	60,386
366,167	0,199	0,204	1,358	0,206	0,013	0,699	0,698	115,120	19,899	26,299	-4958,457	196,144	21,016	20,769	28,839	20,631	59,865
366,500	0,199	0,204	1,359	0,206	0,018	0,699	0,697	114,286	19,915	25,890	15,534	-70,380	21,006	20,778	28,841	20,632	59,334

Pellematic 56_cat IV_run 2_200121 underlag till rådata PDF.DAT

Category: IV

	1103	1108	1109	130	230	101	102	1	2	3	6	7	8	11	
Mättid	T3 inlet load side	T2 inlet boiler	T1 outlet boiler	Flow load side	Flow boiler side	Heat output load side	Heat output boiler	CO chimney	CO2 chimney	O2 chimney	Pstat	Pdyn	Tunnel velocity	Våg	Tidpunkt
Minuter	°C	°C	°C	m³/h	m³/h	W	W	ppm	%	%	Pa	Pa	m/s	kg	Klockan
356,833	43,987	54,256	73,670	2,280	2,462	53870,235	54788,323	68,245	15,658	4,452	7,697	53,236	9,420	948,966	2020-01-21 16:07
357,167	44,071	54,399	73,613	2,278	2,460	53774,041	54197,017	66,163	15,590	4,569	7,658	52,736	9,375	948,966	2020-01-21 16:07
357,500	44,139	54,477	73,615	2,273	2,459	53621,910	53939,152	96,276	16,758	3,624	7,655	53,094	9,407	948,841	2020-01-21 16:07
357,833	43,716	54,516	73,512	2,278	2,462	54924,189	53610,729	93,932	16,751	3,805	7,759	53,222	9,418	948,747	2020-01-21 16:08
358,167	43,298	54,322	73,507	2,277	2,461	55721,978	54117,826	70,777	16,251	4,018	7,805	53,151	9,412	948,747	2020-01-21 16:08
358,500	43,311	54,098	73,640	2,278	2,463	55476,735	55188,493	66,871	15,800	4,553	7,766	52,953	9,394	948,747	2020-01-21 16:08
358,833	43,689	54,075	73,714	2,276	2,467	54423,217	55553,458	66,593	16,110	4,201	7,664	52,815	9,382	948,560	2020-01-21 16:09
359,167	43,840	54,265	73,668	2,277	2,464	54335,186	54802,866	149,306	17,271	3,036	7,756	53,351	9,430	948,466	2020-01-21 16:09
359,500	43,922	54,371	73,649	2,274	2,463	54224,964	54434,330	194,326	17,629	2,477	7,771	53,303	9,425	948,466	2020-01-21 16:09
359,833	43,980	54,431	73,649	2,277	2,464	54291,350	54277,347	185,793	17,391	3,184	7,735	53,273	9,423	948,341	2020-01-21 16:10
360,167	44,062	54,509	73,763	2,275	2,464	54227,222	54383,999	76,299	16,916	3,643	7,741	52,897	9,389	948,248	2020-01-21 16:10
360,500	44,260	54,559	73,839	2,275	2,457	53808,265	54299,441	69,957	16,889	3,567	7,809	53,030	9,401	950,844	2020-01-21 16:10
360,834	44,768	54,699	73,903	2,276	2,462	52760,972	54198,075	76,632	16,587	3,661	7,906	52,960	9,395	948,154	2020-01-21 16:11
361,167	44,779	54,974	73,897	2,280	2,467	53228,625	53506,989	97,713	16,534	3,575	8,309	52,706	9,372	948,060	2020-01-21 16:11
361,500	44,723	55,045	73,899	2,281	2,465	53518,033	53274,157	52,076	16,541	4,369	8,356	53,253	9,421	948,060	2020-01-21 16:11
361,834	45,019	55,023	73,863	2,274	2,459	52477,163	53095,101	46,645	13,528	7,434	8,437	53,368	9,431	948,060	2020-01-21 16:12
362,167	45,268	55,138	73,667	2,277	2,459	51843,085	52208,657	37,724	10,736	10,437	8,413	53,570	9,449	948,060	2020-01-21 16:12
362,500	45,231	55,202	73,261	2,277	2,465	51655,123	51004,438	16,352	4,495	18,012	8,370	53,698	9,460	948,154	2020-01-21 16:12
362,833	45,033	55,094	72,736	2,277	2,465	51454,829	49841,659	0,456	0,166	20,953	8,407	53,969	9,484	948,154	2020-01-21 16:13
363,167	44,901	54,837	71,931	2,279	2,464	50856,030	48261,158	0,362	0,125	20,962	8,368	53,620	9,453	948,248	2020-01-21 16:13
363,500	44,803	54,593	71,588	2,276	2,464	49964,667	47993,796	0,272	0,116	20,968	8,346	53,495	9,442	948,248	2020-01-21 16:13
363,833	44,532	54,311	71,031	2,273	2,462	49426,039	47181,353	0,520	0,109	20,965	8,419	53,605	9,452	948,248	2020-01-21 16:14
364,167	44,408	53,959	70,147	2,275	2,457	48414,150	45595,133	0,278	0,105	20,966	8,413	54,194	9,504	948,341	2020-01-21 16:14
364,500	44,299	53,661	69,664	2,278	2,463	47453,794	45197,168	0,361	0,101	20,976	8,412	54,146	9,500	948,341	2020-01-21 16:14
364,833	44,156	53,382	68,901	2,274	2,459	46494,348	43754,520	0,276	0,099	20,972	8,356	54,195	9,504	948,466	2020-01-21 16:15
365,167	43,971	53,077	68,160	2,271	2,459	45594,979	42521,756	0,426	0,097	20,973	8,364	54,002	9,487	948,466	2020-01-21 16:15
365,500	43,926	52,743	67,621	2,273	2,457	44362,496	41917,512	0,110	0,094	20,968	8,298	54,085	9,494	948,466	2020-01-21 16:15
365,833	43,860	52,482	66,669	2,274	2,459	43244,203	40010,519	0,107	0,092	20,973	8,243	54,725	9,550	948,466	2020-01-21 16:16
366,167	43,749	52,209	66,077	2,276	2,460	42214,190	39125,632	0,023	0,091	20,969	8,251	54,475	9,528	948,560	2020-01-21 16:16
366,500	43,680	51,899	65,476	2,274	2,460	40959,817	38319,189	0,197	0,089	20,975	8,234	54,331	9,516	948,560	2020-01-21 16:16

Pellematic 56_cat III_run 1_191210.Dat

Category: III

Konfigurati C:\Datainsamling\Konfiguration\EPA pellematic,KONF

Sparad: 2019-12-09 13:03

i klartext: 2019-12-09 13:03

	301	302	304	305	306	308	317	1311	1312	1313	1314	1315	1316	1317	1318	1101	1102
Mättid	CO chimney	CO2 chimney	Pdyn	Pstat	Static pressure chimney	O2 chimney	Våg	Flue gas temp	Ambient	Flue gas at pitot	filter temp 1	filter temp 2	gas meter temp 1	gas meter temp 2	gasmeter temp ambient		T4 outlet load side
Minuter	VDC	VDC	VDC	VDC	VDC	VDC	VDC	°C	°C	°C	°C	°C	°C	°C	°C	°C	°C
0,167	0,198	0,203	1,370	0,163	0,014	0,710	1,208	98,243	19,683	27,432	26,479	27,443	20,071	20,073	20,308	20,112	61,247
0,500	0,198	0,203	1,376	0,160	0,014	0,710	1,208	98,306	19,624	27,493	25,202	25,950	20,074	20,078	20,312	20,113	61,257
0,942	0,198	0,203	1,383	0,160	0,017	0,710	1,207	98,408	19,628	27,467	25,025	24,722	20,073	20,076	20,310	20,114	61,265
1,167	0,198	0,203	1,384	0,160	0,015	0,710	1,206	98,448	19,650	27,451	21,623	22,164	20,076	20,080	20,311	20,115	61,267
1,524	0,198	0,203	1,350	0,158	0,017	0,710	1,206	98,542	19,653	27,554	24,926	23,065	20,075	20,082	20,317	20,114	61,268
1,897	0,198	0,203	1,353	0,161	0,011	0,710	1,205	98,657	19,663	27,613	25,186	25,439	20,075	20,079	20,306	20,115	61,269
2,167	0,198	0,203	1,356	0,162	0,013	0,708	1,204	98,755	19,670	27,589	24,405	23,416	20,067	20,086	20,312	20,117	61,285
2,500	0,205	0,578	1,348	0,161	0,013	0,381	1,204	98,871	19,607	27,620	24,655	22,752	20,070	20,088	20,318	20,119	61,293
2,834	0,206	0,653	1,358	0,162	0,018	0,310	1,203	98,951	19,616	27,508	25,350	22,089	20,074	20,077	20,308	20,117	61,300
3,167	0,205	0,656	1,373	0,163	0,016	0,308	1,203	99,031	19,645	27,473	25,730	24,054	20,073	20,088	20,326	20,118	61,319
3,500	0,206	0,654	1,364	0,159	0,019	0,311	1,201	99,126	19,684	27,593	25,635	22,505	20,067	20,086	20,312	20,121	61,344
3,834	0,206	0,653	1,376	0,161	0,017	0,312	1,201	99,220	19,700	27,538	24,465	26,278	20,077	20,101	20,320	20,123	61,365
4,167	0,206	0,647	1,370	0,163	0,010	0,317	1,201	99,278	19,736	27,514	23,025	23,847	20,073	20,092	20,325	20,121	61,370
4,500	0,205	0,627	1,385	0,164	0,021	0,334	1,200	99,351	19,660	27,512	24,655	26,452	20,080	20,089	20,331	20,125	61,395
4,833	0,206	0,620	1,372	0,162	0,021	0,341	1,200	99,483	19,703	27,599	26,018	23,417	20,084	20,092	20,329	20,127	61,426
5,167	0,206	0,634	1,367	0,163	0,017	0,330	1,199	99,557	19,734	27,551	24,640	22,818	20,086	20,092	20,330	20,127	61,455
5,500	0,205	0,624	1,369	0,163	0,014	0,339	1,198	99,621	19,729	27,526	23,766	22,983	20,089	20,101	20,328	20,127	61,493
5,833	0,205	0,611	1,382	0,163	0,017	0,350	1,198	99,628	19,699	27,575	25,737	26,837	20,085	20,104	20,326	20,127	61,528
6,167	0,205	0,604	1,378	0,163	0,024	0,357	1,198	99,674	19,719	27,640	26,374	25,287	20,084	20,096	20,328	20,128	61,546
6,500	0,206	0,608	1,373	0,163	0,018	0,353	1,197	99,729	19,714	27,645	24,628	22,770	20,077	20,085	20,328	20,125	61,579
6,833	0,206	0,615	1,363	0,163	0,019	0,346	1,196	99,787	19,736	27,578	24,010	21,126	20,073	20,098	20,320	20,125	61,596
7,167	0,206	0,620	1,377	0,164	0,014	0,342	1,195	99,821	19,717	27,548	22,819	23,675	20,082	20,098	20,326	20,127	61,607
7,500	0,206	0,616	1,378	0,163	0,014	0,345	1,195	99,850	19,706	27,524	25,387	25,464	20,091	20,106	20,328	20,129	61,622
7,834	0,206	0,616	1,384	0,164	0,017	0,345	1,194	99,885	19,758	27,575	24,363	25,051	20,083	20,103	20,331	20,129	61,613
8,167	0,206	0,623	1,355	0,161	0,017	0,339	1,194	99,940	19,746	27,590	26,609	25,399	20,087	20,102	20,341	20,130	61,622
8,500	0,207	0,623	1,371	0,164	0,015	0,340	1,193	99,985	19,754	27,585	25,029	23,607	20,094	20,108	20,337	20,131	61,635
8,834	0,207	0,630	1,375	0,164	0,012	0,333	1,192	100,038	19,730	27,613	24,609	25,462	20,079	20,106	20,338	20,131	61,629
9,167	0,208	0,642	1,377	0,161	0,017	0,322	1,192	100,054	19,742	27,704	24,416	24,384	20,091	20,095	20,338	20,128	61,636
9,500	0,208	0,647	1,387	0,162	0,014	0,319	1,192	100,162	19,745	27,675	23,644	22,214	20,089	20,109	20,330	20,132	61,638
9,834	0,208	0,662	1,375	0,161	0,019	0,306	1,192	100,243	19,768	27,697	-4937,559	170,374	20,083	20,093	20,341	20,131	61,653
10,167	0,208	0,658	1,372	0,164	0,015	0,310	1,190	100,300	19,786	27,679	26,575	18,940	20,085	20,107	20,341	20,133	61,674
10,500	0,208	0,642	1,388	0,162	0,018	0,323	1,190	100,361	19,744	27,619	24,952	19,416	20,096	20,106	20,337	20,132	61,695
10,833	0,208	0,631	1,378	0,164	0,020	0,334	1,189	100,388	19,740	27,635	24,899	19,701	20,089	20,100	20,336	20,131	61,716
11,167	0,208	0,620	1,369	0,163	0,015	0,343	1,188	100,393	19,769	27,703	21,706	20,366	20,078	20,106	20,332	20,130	61,728

Pellematic 56_cat III_run 1_191210.Dat

Category: III

	1103	1108	1109	130	230	101	102	1	2	3	6	7	8	11	
Mättid	T3 inlet load side	T2 inlet boiler	T1 outlet boiler	Flow load side	Flow boiler side	Heat output load side	Heat output boiler	CO chimney	CO2 chimney	O2 chimney	Pstat	Pdyn	Tunnel velocity	Våg	Tidpunkt
Minuter	°C	°C	°C	m³/h	m³/h	W	W	ppm	%	%	Pa	Pa	m/s	kg	Klockan
0,167	42,497	50,472	70,451	7,818	6,930	168656,424	159079,323	-1,137	0,078	21,291	6,521	54,740	9,552	950,480	2019-12-10 12:24
0,500	42,474	50,449	70,375	1,236	1,131	26736,484	25881,626	-1,230	0,077	21,293	6,413	54,792	9,556	950,480	2019-12-10 12:25
0,942	42,453	50,442	70,440	1,237	1,132	26795,847	25991,257	-0,986	0,078	21,289	6,394	55,267	9,597	950,384	2019-12-10 12:25
1,167	42,453	50,435	70,440	1,236	1,133	26776,262	26028,640	-1,047	0,078	21,291	6,382	55,307	9,601	950,354	2019-12-10 12:25
1,524	42,461	50,420	70,444	1,237	1,132	26791,853	26029,722	-1,133	0,078	21,292	6,309	53,931	9,481	950,354	2019-12-10 12:26
1,897	42,476	50,423	70,429	1,238	1,132	26777,643	26003,519	-1,048	0,078	21,290	6,440	53,999	9,487	950,259	2019-12-10 12:26
2,167	42,495	50,429	70,480	1,236	1,132	26737,467	26069,670	-1,031	0,095	21,251	6,474	54,268	9,510	950,259	2019-12-10 12:26
2,500	42,503	50,441	70,472	1,236	1,132	26743,897	26024,836	15,909	10,488	11,426	6,434	53,820	9,471	950,259	2019-12-10 12:27
2,834	42,494	50,452	70,547	1,237	1,131	26787,270	26095,892	17,405	11,451	9,294	6,490	54,642	9,543	950,165	2019-12-10 12:27
3,167	42,471	50,454	70,550	1,236	1,133	26819,279	26145,449	16,403	11,378	9,245	6,521	54,814	9,558	950,165	2019-12-10 12:27
3,500	42,454	50,466	70,638	1,237	1,133	26902,574	26248,920	17,246	11,254	9,334	6,374	54,635	9,542	950,072	2019-12-10 12:28
3,834	42,445	50,468	70,664	1,237	1,133	26953,878	26277,024	17,753	11,396	9,359	6,449	54,956	9,570	950,072	2019-12-10 12:28
4,167	42,445	50,462	70,663	1,238	1,133	26970,417	26267,866	17,161	11,104	9,510	6,535	54,775	9,555	950,072	2019-12-10 12:28
4,500	42,450	50,463	70,768	1,239	1,132	27022,821	26383,876	16,647	10,572	10,020	6,546	55,465	9,615	949,979	2019-12-10 12:29
4,833	42,454	50,476	70,752	1,238	1,132	27033,260	26345,472	17,072	10,455	10,228	6,471	54,598	9,539	949,980	2019-12-10 12:29
5,167	42,462	50,485	70,785	1,238	1,132	27073,912	26378,650	17,536	10,899	9,886	6,515	54,641	9,543	949,853	2019-12-10 12:29
5,500	42,461	50,497	70,911	1,238	1,132	27114,714	26524,385	15,907	10,527	10,177	6,530	54,789	9,556	949,853	2019-12-10 12:30
5,833	42,455	50,514	70,891	1,237	1,132	27166,461	26494,542	16,492	10,267	10,504	6,501	55,369	9,606	949,853	2019-12-10 12:30
6,167	42,453	50,525	70,948	1,238	1,132	27214,949	26553,665	16,658	9,970	10,717	6,532	55,023	9,576	949,853	2019-12-10 12:30
6,500	42,447	50,529	70,968	1,236	1,132	27223,038	26569,545	17,575	10,273	10,584	6,535	54,782	9,555	949,760	2019-12-10 12:31
6,833	42,433	50,544	70,976	1,238	1,133	27310,745	26575,928	17,585	10,437	10,380	6,510	54,750	9,552	949,759	2019-12-10 12:31
7,167	42,425	50,549	70,987	1,237	1,133	27324,388	26595,723	17,918	10,521	10,257	6,560	55,269	9,598	949,759	2019-12-10 12:31
7,500	42,416	50,551	70,957	1,238	1,132	27379,719	26523,511	17,670	10,332	10,356	6,508	54,963	9,571	949,666	2019-12-10 12:32
7,834	42,405	50,545	70,978	1,238	1,132	27388,626	26564,409	18,676	10,418	10,355	6,568	55,226	9,594	949,572	2019-12-10 12:32
8,167	42,398	50,539	71,040	1,239	1,133	27421,682	26664,003	18,845	10,668	10,162	6,460	54,142	9,499	949,571	2019-12-10 12:32
8,500	42,402	50,543	71,055	1,238	1,134	27415,603	26703,038	21,019	10,526	10,187	6,564	55,206	9,592	949,571	2019-12-10 12:33
8,834	42,421	50,539	71,050	1,239	1,133	27409,239	26687,028	21,270	10,869	9,990	6,544	54,672	9,546	949,479	2019-12-10 12:33
9,167	42,439	50,550	70,999	1,239	1,132	27384,100	26578,797	23,376	11,038	9,668	6,435	55,273	9,598	949,480	2019-12-10 12:33
9,500	42,456	50,557	71,091	1,238	1,133	27342,547	26716,994	23,625	11,233	9,579	6,500	55,189	9,591	949,480	2019-12-10 12:34
9,834	42,463	50,567	71,078	1,239	1,133	27371,514	26686,838	23,127	11,655	9,166	6,441	55,078	9,581	949,480	2019-12-10 12:34
10,167	42,470	50,575	71,116	1,239	1,131	27387,731	26684,189	23,209	11,391	9,288	6,566	54,817	9,558	949,356	2019-12-10 12:34
10,500	42,471	50,589	71,164	1,237	1,133	27374,968	26757,027	23,707	10,915	9,686	6,482	55,048	9,578	949,356	2019-12-10 12:35
10,833	42,459	50,600	71,211	1,237	1,131	27432,084	26775,051	23,372	10,682	10,005	6,563	55,045	9,578	949,261	2019-12-10 12:35
11,167	42,431	50,606	71,185	1,239	1,133	27536,455	26766,698	23,041	10,507	10,284	6,531	54,547	9,535	949,261	2019-12-10 12:35

Pellematic 56_cat III_run 1_191210.Dat

Category: III

	301	302	304	305	306	308	317	1311	1312	1313	1314	1315	1316	1317	1318	1101	1102
Mättid	CO chimney	CO2 chimney	Pdyn	Pstat	Static pressure chimney	O2 chimney	Våg	Flue gas temp	Ambient	Flue gas at pitot	filter temp 1	filter temp 2	gas meter temp 1	gas meter temp 2	gasmeter temp ambient		T4 outlet load side
Minuter	VDC	VDC	VDC	VDC	VDC	VDC	VDC	°C	°C	°C	°C	°C	°C	°C	°C	°C	°C
11,500	0,208	0,619	1,369	0,164	0,011	0,343	1,187	100,435	19,765	27,703	24,429	20,790	20,084	20,112	20,333	20,132	61,759
11,833	0,208	0,620	1,372	0,166	0,014	0,342	1,187	100,468	19,739	27,721	25,168	24,240	20,094	20,101	20,331	20,132	61,801
12,167	0,208	0,629	1,355	0,163	0,010	0,335	1,187	100,553	19,752	27,661	22,729	21,302	20,079	20,105	20,333	20,131	61,814
12,500	0,208	0,628	1,373	0,168	0,016	0,336	1,187	100,616	19,750	27,666	25,547	25,455	20,088	20,105	20,329	20,133	61,808
12,929	0,208	0,620	1,374	0,165	0,015	0,342	1,185	100,647	19,751	27,708	25,776	24,629	20,099	20,105	20,334	20,135	61,738
13,167	0,208	0,625	1,377	0,164	0,012	0,338	1,184	100,672	19,752	27,751	23,508	24,761	20,089	20,098	20,337	20,132	61,689
13,500	0,208	0,651	1,381	0,165	0,017	0,316	1,184	100,763	19,736	27,743	24,975	22,857	20,093	20,115	20,340	20,136	61,446
13,833	0,208	0,649	1,373	0,166	0,015	0,317	1,184	100,811	19,729	27,747	25,829	25,580	20,101	20,115	20,330	20,135	61,500
14,167	0,208	0,648	1,377	0,166	0,016	0,319	1,183	100,878	19,756	27,731	24,516	24,337	20,099	20,110	20,342	20,135	61,546
14,500	0,207	0,632	1,380	0,165	0,014	0,332	1,182	100,903	19,770	27,659	24,485	24,476	20,093	20,114	20,345	20,136	61,569
14,834	0,207	0,620	1,379	0,165	0,012	0,342	1,182	100,926	19,768	27,760	25,156	22,952	20,093	20,112	20,339	20,136	61,604
15,167	0,208	0,625	1,375	0,165	0,014	0,337	1,181	100,988	19,814	27,737	25,121	16,576	20,093	20,111	20,345	20,136	61,518
15,500	0,208	0,641	1,370	0,166	0,017	0,323	1,180	101,011	19,815	27,795	24,329	15,071	20,093	20,119	20,354	20,138	61,453
15,834	0,208	0,644	1,380	0,163	0,019	0,320	1,179	101,054	19,801	27,820	22,441	22,973	20,093	20,112	20,352	20,138	61,389
16,167	0,208	0,642	1,374	0,164	0,014	0,323	1,179	101,106	19,839	27,880	23,439	19,074	20,091	20,124	20,344	20,139	61,336
16,500	0,208	0,639	1,357	0,163	0,018	0,326	1,241	101,149	19,772	27,883	419,199	-5059,341	20,155	20,131	20,338	20,139	61,343
16,834	0,207	0,647	1,381	0,165	0,021	0,319	1,386	101,183	19,795	27,802	543,815	-9999,000	20,103	20,119	20,348	20,141	61,357
17,167	0,207	0,643	1,385	0,167	0,023	0,322	1,386	101,206	19,800	27,768	151,791	-67,722	20,106	20,112	20,353	20,141	61,379
17,500	0,207	0,662	1,373	0,167	0,014	0,306	1,386	101,236	19,750	27,846	115,667	-66,443	20,107	20,120	20,349	20,142	61,273
17,833	0,207	0,665	1,372	0,161	0,013	0,303	1,384	101,289	19,718	27,958	106,571	-15,751	20,112	20,116	20,345	20,141	61,292
18,167	0,207	0,657	1,375	0,164	0,017	0,311	1,384	101,346	19,651	27,979	99,030	22,879	20,107	20,129	20,353	20,146	61,341
18,500	0,207	0,645	1,383	0,167	0,017	0,320	1,384	101,375	19,660	27,894	88,488	26,495	20,107	20,118	20,357	20,141	61,341
18,833	0,207	0,638	1,364	0,165	0,016	0,327	1,382	101,424	19,700	27,887	78,754	29,989	20,120	20,120	20,353	20,145	61,379
19,167	0,207	0,639	1,370	0,165	0,019	0,326	1,381	101,484	19,737	27,914	73,270	30,860	20,110	20,119	20,354	20,143	61,424
19,500	0,212	0,641	1,363	0,166	0,013	0,325	1,381	101,505	19,737	27,979	64,697	29,545	20,110	20,130	20,361	20,144	61,416
19,833	0,207	0,642	1,370	0,167	0,018	0,324	1,380	101,568	19,724	27,926	60,596	32,155	20,109	20,118	20,357	20,143	61,245
20,167	0,206	0,651	1,371	0,169	0,011	0,316	1,379	101,607	19,773	27,920	54,480	29,063	20,099	20,122	20,360	20,145	61,308
20,500	0,206	0,645	1,381	0,165	0,012	0,320	1,379	101,664	19,781	27,935	52,476	28,908	20,103	20,118	20,360	20,146	61,328
20,833	0,206	0,641	1,369	0,168	0,017	0,324	1,379	101,659	19,798	27,869	47,950	29,710	20,113	20,141	20,374	20,149	61,336
21,167	0,206	0,630	1,362	0,168	0,015	0,333	1,379	101,700	19,841	27,916	45,265	29,472	20,109	20,130	20,359	20,148	61,379
21,500	0,206	0,613	1,375	0,166	0,014	0,349	1,377	101,705	19,852	27,803	43,263	27,825	20,116	20,133	20,359	20,147	61,238
21,834	0,206	0,609	1,375	0,167	0,014	0,351	1,377	101,741	19,850	27,855	41,531	27,384	20,110	20,139	20,368	20,147	61,253
22,167	0,206	0,623	1,373	0,164	0,017	0,339	1,376	101,813	19,824	27,927	38,200	26,552	20,129	20,142	20,365	20,148	61,324
22,500	0,207	0,629	1,358	0,166	0,018	0,335	1,376	101,821	19,821	27,926	38,586	26,571	20,105	20,131	20,357	20,145	61,369
22,834	0,207	0,625	1,374	0,167	0,016	0,339	1,376	101,840	19,821	27,946	35,684	26,019	20,108	20,133	20,373	20,149	61,277
23,167	0,206	0,633	1,370	0,167	0,016	0,331	1,375	101,883	19,787	27,999	34,209	24,245	20,103	20,135	20,366	20,149	61,277
23,500	0,206	0,636	1,358	0,168	0,014	0,329	1,374	101,925	19,771	27,990	32,195	24,174	20,120	20,148	20,368	20,151	61,368

Pellematic 56_cat III_run 1_191210.Dat

Category: III

	1103	1108	1109	130	230	101	102	1	2	3	6	7	8	11	
Mättid	T3 inlet load side	T2 inlet boiler	T1 outlet boiler	Flow load side	Flow boiler side	Heat output load side	Heat output boiler	CO chimney	CO2 chimney	O2 chimney	Pstat	Pdyn	Tunnel velocity	Våg	Tidpunkt
Minuter	°C	°C	°C	m ³ /h	m ³ /h	W	W	ppm	%	%	Pa	Pa	m/s	kg	Klockan
11,500	42,387	50,614	71,234	1,239	1,132	27631,152	26809,216	24,713	10,472	10,298	6,562	54,543	9,534	949,168	2019-12-10 12:36
11,833	42,366	50,620	71,201	1,238	1,132	27704,686	26758,748	23,487	10,481	10,270	6,624	54,724	9,550	949,167	2019-12-10 12:36
12,167	42,373	50,630	71,236	1,238	1,132	27704,574	26783,776	24,124	10,812	10,039	6,522	54,237	9,508	949,167	2019-12-10 12:36
12,500	42,401	50,639	71,279	1,237	1,134	27631,288	26870,958	24,199	10,604	10,085	6,726	54,918	9,567	949,167	2019-12-10 12:37
12,929	42,445	50,687	71,302	1,239	1,135	27526,807	26866,151	23,120	10,484	10,253	6,617	54,986	9,573	949,073	2019-12-10 12:37
13,167	42,475	50,745	71,285	1,237	1,141	27358,372	26914,078	21,946	10,794	10,149	6,579	55,229	9,594	948,981	2019-12-10 12:37
13,500	42,529	50,878	71,314	1,238	1,145	26964,398	26865,660	22,128	11,288	9,473	6,603	55,301	9,600	948,981	2019-12-10 12:38
13,833	42,593	51,054	71,325	1,239	1,145	26958,360	26639,508	23,326	11,219	9,521	6,629	55,055	9,579	949,074	2019-12-10 12:38
14,167	42,639	51,182	71,301	1,239	1,145	26964,942	26447,540	21,844	11,176	9,559	6,633	55,085	9,582	948,855	2019-12-10 12:38
14,500	42,673	51,262	71,419	1,239	1,146	26961,052	26507,312	21,780	10,712	9,963	6,603	55,017	9,576	948,855	2019-12-10 12:39
14,834	42,714	51,317	71,386	1,239	1,145	26952,568	26371,087	21,023	10,436	10,265	6,611	55,315	9,602	948,855	2019-12-10 12:39
15,167	42,747	51,358	71,373	1,239	1,148	26782,262	26371,681	22,570	10,662	10,115	6,612	54,720	9,550	948,761	2019-12-10 12:39
15,500	42,781	51,416	71,428	1,240	1,147	26647,182	26348,336	23,709	11,135	9,693	6,644	55,080	9,581	948,761	2019-12-10 12:40
15,834	42,812	51,512	71,470	1,240	1,147	26514,254	26267,666	22,452	11,157	9,614	6,525	55,082	9,581	948,667	2019-12-10 12:40
16,167	42,829	51,604	71,479	1,240	1,146	26411,138	26141,499	22,619	11,076	9,679	6,563	54,984	9,573	948,667	2019-12-10 12:40
16,500	42,816	51,693	71,472	1,239	1,144	26431,640	25970,380	21,448	10,993	9,788	6,528	54,245	9,508	956,460	2019-12-10 12:41
16,834	42,779	51,759	71,495	1,239	1,145	26497,787	25929,373	22,203	11,180	9,572	6,617	55,416	9,610	961,572	2019-12-10 12:41
17,167	42,747	51,809	71,553	1,239	1,145	26564,209	25932,788	21,358	11,075	9,658	6,670	55,485	9,616	961,666	2019-12-10 12:41
17,500	42,734	51,829	71,622	1,240	1,145	26462,600	26003,656	20,184	11,676	9,168	6,690	54,691	9,547	961,666	2019-12-10 12:42
17,833	42,741	51,865	71,696	1,239	1,144	26467,446	26026,845	21,190	11,646	9,076	6,442	54,949	9,570	961,480	2019-12-10 12:42
18,167	42,726	51,904	71,709	1,239	1,146	26538,758	26036,501	20,938	11,298	9,322	6,559	55,220	9,593	961,481	2019-12-10 12:42
18,500	42,660	51,943	71,802	1,239	1,146	26654,430	26105,830	20,296	11,084	9,613	6,698	55,332	9,603	961,480	2019-12-10 12:43
18,833	42,570	51,964	71,851	1,239	1,144	26837,255	26110,728	20,022	10,829	9,815	6,608	54,476	9,529	961,356	2019-12-10 12:43
19,167	42,497	51,955	71,914	1,238	1,140	26971,805	26120,027	20,191	11,064	9,773	6,594	54,735	9,551	961,262	2019-12-10 12:43
19,500	42,449	51,915	71,976	1,238	1,139	27027,944	26232,652	28,136	11,008	9,740	6,652	54,808	9,558	961,262	2019-12-10 12:44
19,833	42,415	51,882	72,056	1,239	1,140	26851,420	26390,317	19,018	11,150	9,708	6,671	54,613	9,541	961,262	2019-12-10 12:44
20,167	42,378	51,903	72,073	1,239	1,139	26993,640	26372,072	19,426	11,138	9,494	6,750	54,865	9,563	961,168	2019-12-10 12:44
20,500	42,338	51,921	72,125	1,239	1,139	27078,988	26405,121	19,011	11,120	9,612	6,608	55,241	9,595	961,168	2019-12-10 12:45
20,833	42,314	51,925	72,216	1,237	1,138	27087,158	26506,488	19,013	11,022	9,721	6,736	54,613	9,541	961,168	2019-12-10 12:45
21,167	42,296	51,928	72,251	1,239	1,137	27219,853	26523,164	18,752	10,600	10,003	6,711	54,578	9,537	961,168	2019-12-10 12:45
21,500	42,289	51,924	72,270	1,238	1,137	27006,008	26548,717	18,674	10,179	10,461	6,625	54,990	9,573	961,074	2019-12-10 12:46
21,834	42,290	51,958	72,372	1,239	1,137	27042,618	26639,890	18,837	10,376	10,533	6,696	55,035	9,577	961,074	2019-12-10 12:46
22,167	42,295	52,017	72,368	1,238	1,136	27126,849	26536,200	18,929	10,699	10,184	6,572	54,840	9,560	960,982	2019-12-10 12:46
22,500	42,302	52,051	72,397	1,238	1,137	27187,615	26552,887	19,931	10,766	10,051	6,625	54,350	9,518	960,982	2019-12-10 12:47
22,834	42,301	52,083	72,487	1,239	1,136	27060,344	26607,698	19,728	10,535	10,169	6,696	54,887	9,564	960,982	2019-12-10 12:47
23,167	42,311	52,122	72,488	1,239	1,137	27056,224	26574,985	18,680	10,934	9,926	6,685	54,900	9,566	960,856	2019-12-10 12:47
23,500	42,303	52,187	72,506	1,239	1,138	27195,784	26520,649	18,588	10,859	9,868	6,733	54,274	9,511	960,856	2019-12-10 12:48

Pellematic 56_cat III_run 1_191210.Dat

Category: III

	301	302	304	305	306	308	317	1311	1312	1313	1314	1315	1316	1317	1318	1101	1102
Mättid	CO chimney	CO2 chimney	Pdyn	Pstat	Static pressure chimney	O2 chimney	Våg	Flue gas temp	Ambient	Flue gas at pitot	filter temp 1	filter temp 2	gas meter temp 1	gas meter temp 2	gasmeter temp ambient		T4 outlet load side
Minuter	VDC	VDC	VDC	VDC	VDC	VDC	VDC	°C	°C	°C	°C	°C	°C	°C	°C	°C	°C
23,834	0,206	0,625	1,365	0,168	0,014	0,338	1,373	101,946	19,770	27,926	33,423	25,190	20,115	20,136	20,371	20,150	61,291
24,167	0,206	0,634	1,376	0,168	0,013	0,330	1,373	101,967	19,752	27,930	32,383	25,476	20,111	20,136	20,369	20,151	61,340
24,500	0,206	0,646	1,377	0,167	0,014	0,320	1,372	102,031	19,803	27,995	29,907	24,079	20,107	20,145	20,371	20,152	61,357
24,833	0,206	0,637	1,382	0,166	0,019	0,327	1,372	102,069	19,893	27,981	31,327	26,868	20,107	20,139	20,365	20,153	61,380
25,167	0,206	0,631	1,381	0,167	0,013	0,332	1,371	102,083	19,907	27,918	29,786	25,385	20,111	20,148	20,379	20,152	61,341
25,500	0,206	0,637	1,377	0,167	0,013	0,327	1,371	102,136	19,891	27,938	28,132	24,299	20,116	20,143	20,367	20,153	61,239
25,833	0,205	0,636	1,377	0,169	0,017	0,329	1,371	102,167	19,873	27,919	28,690	23,377	20,114	20,143	20,370	20,152	61,291
26,167	0,206	0,616	1,379	0,167	0,014	0,347	1,369	102,175	19,848	27,944	29,725	24,409	20,121	20,145	20,372	20,153	61,336
26,500	0,206	0,608	1,368	0,167	0,021	0,353	1,369	102,202	19,853	27,974	29,986	25,005	20,124	20,152	20,372	20,153	61,357
26,833	0,205	0,618	1,366	0,168	0,016	0,344	1,368	102,205	19,849	27,940	28,898	26,600	20,118	20,146	20,379	20,155	61,343
27,167	0,206	0,616	1,377	0,173	0,010	0,346	1,368	102,214	19,812	27,935	26,920	22,642	20,126	20,140	20,377	20,157	61,383
27,500	0,206	0,623	1,378	0,170	0,014	0,340	1,367	102,257	19,829	28,038	27,577	21,839	20,124	20,148	20,378	20,159	61,406
27,833	0,205	0,631	1,374	0,169	0,012	0,332	1,366	102,296	19,836	28,003	27,490	24,039	20,115	20,153	20,378	20,158	61,406
28,167	0,205	0,643	1,376	0,169	0,017	0,322	1,366	102,327	19,798	27,956	28,699	24,767	20,127	20,160	20,376	20,158	61,368
28,500	0,205	0,646	1,374	0,167	0,014	0,319	1,366	102,371	19,795	27,957	29,063	23,483	20,119	20,154	20,377	20,159	61,270
28,834	0,205	0,644	1,354	0,171	0,014	0,320	1,364	102,384	19,807	28,049	27,987	19,630	20,134	20,163	20,369	20,160	61,302
29,167	0,205	0,633	1,365	0,167	0,016	0,331	1,364	102,429	19,801	28,031	28,569	24,155	20,121	20,156	20,382	20,161	61,341
29,500	0,205	0,631	1,377	0,169	0,014	0,333	1,363	102,468	19,791	27,979	26,715	23,283	20,130	20,162	20,376	20,162	61,404
29,834	0,205	0,642	1,367	0,171	0,022	0,323	1,363	102,483	19,793	27,952	28,619	25,897	20,134	20,153	20,370	20,163	61,424
30,167	0,205	0,647	1,378	0,166	0,018	0,319	1,361	102,520	19,803	27,978	27,068	27,027	20,128	20,161	20,393	20,167	61,422
30,500	0,205	0,646	1,377	0,166	0,011	0,320	1,361	102,532	19,812	28,056	25,348	24,489	20,128	20,160	20,381	20,164	61,353
30,834	0,205	0,641	1,365	0,169	0,012	0,325	1,361	102,583	19,831	27,970	24,983	23,472	20,126	20,164	20,377	20,165	61,297
31,167	0,205	0,634	1,369	0,170	0,016	0,330	1,360	102,597	19,831	27,884	26,080	24,557	20,125	20,159	20,389	20,168	61,347
31,500	0,205	0,622	1,372	0,166	0,012	0,340	1,360	102,623	19,814	27,888	26,419	21,711	20,133	20,168	20,392	20,171	61,252
31,833	0,205	0,620	1,371	0,166	0,008	0,342	1,359	102,638	19,832	27,925	26,862	22,850	20,139	20,168	20,388	20,171	61,323
32,167	0,205	0,633	1,372	0,167	0,014	0,330	1,360	102,667	19,861	27,991	38,682	24,072	20,137	20,170	20,389	20,173	61,347
32,500	0,205	0,635	1,374	0,167	0,012	0,329	1,358	102,700	19,862	28,048	25,282	22,685	20,136	20,166	20,398	20,174	61,314
32,833	0,205	0,634	1,380	0,170	0,011	0,330	1,357	102,700	19,863	27,974	27,375	21,590	20,134	20,165	20,398	20,171	61,298
33,167	0,205	0,618	1,377	0,173	0,013	0,344	1,356	102,702	19,891	27,942	26,554	24,212	20,131	20,167	20,391	20,175	61,335
33,500	0,205	0,603	1,358	0,169	0,017	0,357	1,355	102,723	19,852	28,013	24,347	25,478	20,129	20,163	20,392	20,170	61,360
33,833	0,205	0,600	1,362	0,167	0,009	0,360	1,355	102,714	19,816	28,011	23,823	20,772	20,129	20,166	20,394	20,171	61,398
34,167	0,205	0,606	1,369	0,174	0,017	0,354	1,355	102,763	19,831	27,991	26,014	25,936	20,138	20,167	20,394	20,175	61,185
34,500	0,204	0,606	1,378	0,170	0,014	0,356	1,354	102,747	19,844	27,879	26,211	24,185	20,129	20,169	20,386	20,172	61,216
34,833	0,205	0,604	1,352	0,166	0,010	0,356	1,354	102,737	19,834	27,952	25,677	22,130	20,127	20,168	20,389	20,174	61,298
35,167	0,205	0,618	1,358	0,169	0,009	0,343	1,353	102,768	19,849	27,935	23,997	22,834	20,121	20,172	20,392	20,173	61,293
35,500	0,205	0,631	1,374	0,170	0,012	0,332	1,353	102,817	19,824	27,975	24,961	24,230	20,143	20,167	20,384	20,173	61,314
35,834	0,205	0,628	1,371	0,168	0,019	0,335	1,352	102,842	19,845	27,975	25,214	25,212	20,137	20,172	20,393	20,175	61,309

Pellematic 56_cat III_run 1_191210.Dat

Category: III

	1103	1108	1109	130	230	101	102	1	2	3	6	7	8	11	
Mättid	T3 inlet load side	T2 inlet boiler	T1 outlet boiler	Flow load side	Flow boiler side	Heat output load side	Heat output boiler	CO chimney	CO2 chimney	O2 chimney	Pstat	Pdyn	Tunnel velocity	Våg	Tidpunkt
Minuter	°C	°C	°C	m ³ /h	m ³ /h	W	W	ppm	%	%	Pa	Pa	m/s	kg	Klockan
23,834	42,302	52,214	72,555	1,239	1,137	27086,143	26541,668	19,004	10,618	10,144	6,709	54,830	9,559	960,762	2019-12-10 12:48
24,167	42,302	52,249	72,573	1,239	1,138	27167,804	26542,864	19,676	10,945	9,908	6,739	55,139	9,586	960,856	2019-12-10 12:48
24,500	42,307	52,280	72,579	1,238	1,138	27155,347	26510,205	18,845	11,156	9,591	6,661	54,983	9,573	960,762	2019-12-10 12:49
24,833	42,312	52,301	72,668	1,239	1,136	27190,151	26541,454	18,836	10,867	9,822	6,648	55,474	9,615	960,762	2019-12-10 12:49
25,167	42,315	52,318	72,645	1,238	1,136	27127,341	26487,476	18,078	10,780	9,953	6,666	55,460	9,614	960,669	2019-12-10 12:49
25,500	42,313	52,330	72,716	1,239	1,135	27001,801	26536,933	18,000	10,961	9,796	6,688	55,137	9,586	960,668	2019-12-10 12:50
25,833	42,306	52,378	72,768	1,239	1,137	27072,111	26595,041	16,484	10,804	9,872	6,777	54,992	9,574	960,669	2019-12-10 12:50
26,167	42,297	52,423	72,748	1,238	1,137	27140,075	26519,041	18,089	10,326	10,403	6,692	55,323	9,602	960,575	2019-12-10 12:50
26,500	42,293	52,449	72,795	1,240	1,137	27213,491	26535,194	17,419	10,358	10,594	6,673	54,724	9,550	960,574	2019-12-10 12:51
26,833	42,292	52,464	72,809	1,238	1,136	27146,081	26517,573	16,572	10,473	10,326	6,716	54,939	9,569	960,481	2019-12-10 12:51
27,167	42,289	52,469	72,824	1,239	1,136	27238,679	26531,873	17,108	10,464	10,365	6,908	55,371	9,607	960,482	2019-12-10 12:51
27,500	42,283	52,484	72,855	1,239	1,135	27287,104	26536,157	17,168	10,493	10,189	6,805	55,061	9,580	960,356	2019-12-10 12:52
27,833	42,281	52,492	72,886	1,238	1,135	27271,043	26566,823	16,831	10,821	9,965	6,763	55,070	9,580	960,356	2019-12-10 12:52
28,167	42,293	52,495	72,927	1,238	1,136	27194,582	26634,615	16,741	11,191	9,658	6,758	54,956	9,570	960,357	2019-12-10 12:52
28,500	42,319	52,511	72,980	1,239	1,135	27038,885	26650,304	16,406	11,181	9,567	6,674	55,053	9,579	960,357	2019-12-10 12:53
28,834	42,348	52,567	72,906	1,239	1,137	27037,751	26519,542	16,573	11,050	9,611	6,848	54,007	9,487	960,262	2019-12-10 12:53
29,167	42,368	52,622	73,082	1,238	1,135	27044,954	26639,263	15,311	10,718	9,939	6,699	54,839	9,560	960,263	2019-12-10 12:53
29,500	42,387	52,664	73,066	1,237	1,133	27089,475	26523,539	15,650	10,846	9,988	6,753	55,030	9,577	960,169	2019-12-10 12:54
29,834	42,392	52,688	73,030	1,239	1,134	27148,346	26468,135	16,073	11,149	9,678	6,844	54,815	9,558	960,168	2019-12-10 12:54
30,167	42,400	52,702	73,102	1,240	1,135	27152,830	26568,788	15,899	11,185	9,565	6,658	55,066	9,580	960,075	2019-12-10 12:54
30,500	42,394	52,721	73,056	1,239	1,135	27034,960	26485,021	15,980	11,130	9,602	6,654	55,092	9,582	960,075	2019-12-10 12:55
30,834	42,394	52,766	73,193	1,237	1,134	26918,277	26570,654	15,981	10,977	9,737	6,774	54,576	9,537	960,074	2019-12-10 12:55
31,167	42,390	52,841	73,164	1,235	1,136	26954,344	26479,669	15,817	10,886	9,910	6,795	54,621	9,541	960,064	2019-12-10 12:55
31,500	42,385	52,892	73,222	1,235	1,135	26826,703	26465,155	16,402	10,432	10,211	6,623	55,039	9,578	959,982	2019-12-10 12:56
31,833	42,378	52,962	73,305	1,236	1,136	26953,265	26499,982	16,052	10,535	10,249	6,636	54,465	9,528	959,982	2019-12-10 12:56
32,167	42,385	53,006	73,240	1,236	1,136	26979,449	26359,505	14,556	10,964	9,912	6,675	55,075	9,581	959,983	2019-12-10 12:56
32,500	42,384	53,032	73,339	1,236	1,134	26936,633	26412,699	16,156	10,851	9,884	6,662	54,985	9,573	959,857	2019-12-10 12:57
32,833	42,384	53,069	73,352	1,236	1,135	26911,760	26406,946	15,151	10,821	9,906	6,785	55,347	9,604	959,763	2019-12-10 12:57
33,167	42,379	53,101	73,354	1,236	1,135	26966,084	26373,425	15,153	10,294	10,328	6,937	54,980	9,572	959,762	2019-12-10 12:57
33,500	42,381	53,128	73,418	1,235	1,134	26977,254	26391,115	14,986	10,002	10,716	6,760	54,513	9,532	959,668	2019-12-10 12:58
33,833	42,373	53,142	73,421	1,235	1,136	27053,514	26418,088	15,062	10,049	10,797	6,682	54,457	9,527	959,669	2019-12-10 12:58
34,167	42,377	53,174	73,427	1,237	1,137	26776,008	26412,834	14,233	10,257	10,622	6,965	55,092	9,582	959,669	2019-12-10 12:58
34,500	42,376	53,242	73,425	1,236	1,135	26814,025	26265,759	14,480	10,015	10,665	6,783	54,875	9,563	959,575	2019-12-10 12:59
34,833	42,374	53,297	73,430	1,235	1,135	26911,765	26212,636	14,392	10,092	10,694	6,660	53,970	9,484	959,575	2019-12-10 12:59
35,167	42,372	53,319	73,417	1,237	1,136	26949,709	26192,979	15,128	10,622	10,287	6,742	54,659	9,545	959,575	2019-12-10 12:59
35,500	42,379	53,337	73,462	1,236	1,136	26934,808	26223,123	15,822	10,774	9,963	6,808	54,929	9,568	959,576	2019-12-10 13:00
35,834	42,398	53,344	73,458	1,236	1,136	26900,347	26207,543	16,166	10,706	10,051	6,718	54,851	9,561	959,483	2019-12-10 13:00

Pellematic 56_cat III_run 1_191210.Dat

Category: III

	301	302	304	305	306	308	317	1311	1312	1313	1314	1315	1316	1317	1318	1101	1102
Mättid	CO chimney	CO2 chimney	Pdyn	Pstat	Static pressure chimney	O2 chimney	Våg	Flue gas temp	Ambient	Flue gas at pitot	filter temp 1	filter temp 2	gas meter temp 1	gas meter temp 2	gasmeter temp ambient		T4 outlet load side
Minuter	VDC	VDC	VDC	VDC	VDC	VDC	VDC	°C	°C	°C	°C	°C	°C	°C	°C	°C	°C
36,167	0,205	0,639	1,360	0,169	0,021	0,325	1,352	102,882	19,839	27,970	25,088	25,124	20,133	20,176	20,396	20,177	61,302
36,500	0,205	0,647	1,373	0,170	0,011	0,319	1,352	102,877	19,876	28,001	22,554	22,503	20,135	20,175	20,394	20,178	61,357
36,834	0,204	0,636	1,380	0,169	0,021	0,328	1,350	102,919	19,891	28,023	25,345	22,977	20,139	20,184	20,400	20,178	61,361
37,167	0,205	0,637	1,373	0,168	0,009	0,327	1,350	102,944	19,900	28,010	23,898	23,996	20,130	20,174	20,392	20,174	61,339
37,500	0,205	0,632	1,380	0,168	0,019	0,332	1,350	102,990	19,871	27,974	25,613	21,369	20,133	20,173	20,389	20,176	61,347
37,834	0,204	0,624	1,372	0,169	0,019	0,340	1,349	102,993	19,855	27,953	25,764	24,724	20,138	20,181	20,396	20,179	61,367
38,167	0,204	0,625	1,374	0,168	0,009	0,339	1,348	103,030	19,845	27,975	24,460	23,840	20,137	20,174	20,393	20,177	61,329
38,500	0,204	0,641	1,372	0,168	0,014	0,324	1,347	103,080	19,869	27,984	25,079	21,655	20,136	20,174	20,397	20,177	61,312
38,833	0,205	0,648	1,377	0,170	0,011	0,317	1,347	103,115	19,856	27,987	25,383	22,613	20,136	20,178	20,394	20,176	61,359
39,167	0,205	0,658	1,380	0,169	0,018	0,308	1,346	103,175	19,811	28,025	27,435	26,178	20,140	20,181	20,379	20,177	61,385
39,500	0,205	0,660	1,374	0,170	0,019	0,308	1,346	103,225	19,832	28,052	33,303	30,495	20,135	20,172	20,389	20,175	61,384
39,833	0,204	0,643	1,375	0,169	0,014	0,322	1,344	103,201	19,817	28,025	21,709	22,370	20,135	20,180	20,405	20,179	61,446
40,167	0,205	0,644	1,382	0,170	0,017	0,321	1,344	103,242	19,854	28,053	25,959	40,888	20,140	20,176	20,391	20,178	61,284
40,500	0,204	0,654	1,373	0,174	0,019	0,312	1,343	103,264	19,819	28,041	28,770	66,033	20,133	20,176	20,388	20,178	61,324
40,833	0,205	0,655	1,358	0,172	0,014	0,312	1,343	103,300	19,914	28,144	23,830	22,510	20,130	20,184	20,391	20,182	61,349
41,167	0,205	0,650	1,368	0,169	0,015	0,317	1,342	103,343	19,869	28,054	24,190	22,969	20,135	20,176	20,392	20,179	61,369
41,500	0,205	0,641	1,377	0,170	0,021	0,324	1,343	103,331	19,726	28,033	24,998	24,744	20,133	20,182	20,391	20,177	61,371
41,834	0,204	0,640	1,366	0,171	0,013	0,326	1,341	103,379	19,728	28,046	22,323	23,379	20,134	20,179	20,396	20,178	61,164
42,167	0,205	0,635	1,369	0,173	0,014	0,330	1,340	103,427	19,778	28,076	25,379	22,379	20,135	20,185	20,393	20,179	61,202
42,500	0,204	0,626	1,372	0,171	0,009	0,338	1,340	103,455	19,828	27,974	25,170	24,519	20,140	20,179	20,397	20,182	61,293
42,834	0,204	0,624	1,370	0,171	0,011	0,339	1,339	103,491	19,844	27,934	25,584	19,920	20,133	20,181	20,400	20,179	61,281
43,167	0,205	0,620	1,362	0,169	0,010	0,342	1,339	103,517	19,872	28,057	24,979	23,662	20,145	20,195	20,396	20,185	61,326
43,500	0,205	0,618	1,375	0,171	0,019	0,344	1,339	103,553	19,737	28,062	25,750	25,420	20,143	20,177	20,397	20,183	61,296
43,834	0,205	0,605	1,370	0,169	0,014	0,355	1,337	103,549	19,721	28,035	21,135	25,748	20,144	20,190	20,399	20,184	61,314
44,167	0,204	0,615	1,360	0,170	0,025	0,346	1,336	103,566	19,749	28,108	26,662	29,073	20,142	20,182	20,395	20,185	61,330
44,500	0,204	0,614	1,365	0,169	0,020	0,347	1,336	103,584	19,787	28,028	25,644	24,864	20,140	20,186	20,395	20,184	61,285
44,833	0,204	0,607	1,370	0,168	0,015	0,354	1,336	103,624	19,796	28,012	26,342	24,865	20,147	20,193	20,400	20,188	61,167
45,167	0,204	0,615	1,373	0,171	0,016	0,347	1,336	103,669	19,798	28,121	24,550	23,200	20,142	20,188	20,399	20,187	61,208
45,500	0,204	0,626	1,365	0,169	0,013	0,337	1,334	103,665	19,797	28,110	25,740	24,245	20,138	20,191	20,416	20,188	61,365
45,833	0,204	0,630	1,376	0,171	0,018	0,334	1,334	103,731	19,812	28,047	23,594	24,465	20,145	20,199	20,408	20,188	61,314
46,167	0,204	0,640	1,370	0,171	0,009	0,326	1,333	103,732	19,801	27,987	23,571	22,660	20,137	20,186	20,413	20,186	61,304
46,500	0,204	0,628	1,369	0,169	0,016	0,335	1,333	103,741	19,813	28,053	24,344	23,653	20,151	20,195	20,406	20,194	61,289
46,833	0,205	0,636	1,377	0,171	0,014	0,327	1,332	103,807	19,829	28,073	25,053	23,857	20,147	20,199	20,408	20,190	61,268
47,167	0,204	0,647	1,385	0,172	0,011	0,319	1,331	103,873	19,842	28,141	24,863	24,470	20,154	20,197	20,413	20,190	61,295
47,500	0,204	0,653	1,375	0,173	0,019	0,313	1,331	103,935	19,832	28,127	25,693	25,229	20,145	20,199	20,411	20,192	61,321
47,833	0,204	0,647	1,375	0,173	0,016	0,320	1,331	103,955	19,853	28,131	24,050	22,845	20,156	20,197	20,412	20,196	61,300
48,167	0,205	0,629	1,376	0,168	0,018	0,335	1,331	103,946	19,827	28,090	27,161	25,523	20,151	20,204	20,419	20,194	61,259

Pellematic 56_cat III_run 1_191210.Dat

Category: III

	1103	1108	1109	130	230	101	102	1	2	3	6	7	8	11	
Mättid	T3 inlet load side	T2 inlet boiler	T1 outlet boiler	Flow load side	Flow boiler side	Heat output load side	Heat output boiler	CO chimney	CO2 chimney	O2 chimney	Pstat	Pdyn	Tunnel velocity	Våg	Tidpunkt
Minuter	°C	°C	°C	m ³ /h	m ³ /h	W	W	ppm	%	%	Pa	Pa	m/s	kg	Klockan
36,167	42,418	53,356	73,529	1,236	1,134	26869,282	26243,476	15,258	11,078	9,746	6,744	54,536	9,534	959,483	2019-12-10 13:00
36,500	42,446	53,373	73,488	1,236	1,134	26916,541	26164,938	15,150	11,107	9,563	6,782	55,197	9,591	959,483	2019-12-10 13:01
36,834	42,471	53,386	73,569	1,235	1,135	26852,122	26274,662	14,395	10,988	9,831	6,775	55,120	9,585	959,353	2019-12-10 13:01
37,167	42,493	53,409	73,612	1,235	1,134	26800,636	26265,246	14,816	10,914	9,819	6,708	54,890	9,565	959,353	2019-12-10 13:01
37,500	42,522	53,424	73,610	1,235	1,133	26772,918	26240,791	14,486	10,763	9,952	6,718	55,067	9,580	959,353	2019-12-10 13:02
37,834	42,558	53,437	73,664	1,235	1,134	26752,942	26315,832	14,141	10,458	10,189	6,747	55,043	9,578	959,353	2019-12-10 13:02
38,167	42,589	53,466	73,672	1,235	1,134	26642,123	26280,183	14,053	10,806	10,157	6,733	54,944	9,569	959,198	2019-12-10 13:02
38,500	42,607	53,529	73,764	1,236	1,134	26614,476	26311,329	13,885	11,122	9,727	6,725	54,811	9,558	959,165	2019-12-10 13:03
38,833	42,630	53,618	73,722	1,236	1,135	26656,888	26168,149	14,898	11,255	9,512	6,787	54,897	9,565	959,164	2019-12-10 13:03
39,167	42,660	53,682	73,792	1,235	1,134	26632,970	26150,453	14,732	11,524	9,253	6,773	55,199	9,592	959,164	2019-12-10 13:03
39,500	42,681	53,726	73,846	1,236	1,133	26620,321	26142,919	14,308	11,391	9,237	6,789	54,780	9,555	959,070	2019-12-10 13:04
39,833	42,698	53,759	73,831	1,236	1,135	26665,675	26126,189	14,387	11,024	9,668	6,762	54,908	9,566	958,979	2019-12-10 13:04
40,167	42,674	53,795	73,905	1,235	1,134	26450,432	26139,801	14,891	11,256	9,618	6,812	55,411	9,610	958,978	2019-12-10 13:04
40,500	42,603	53,855	73,943	1,235	1,132	26608,600	26076,752	14,394	11,316	9,367	6,948	54,718	9,550	958,852	2019-12-10 13:05
40,833	42,528	53,917	74,017	1,235	1,133	26760,452	26109,362	14,644	11,346	9,374	6,867	54,238	9,508	958,979	2019-12-10 13:05
41,167	42,470	53,933	74,135	1,235	1,131	26864,556	26208,518	14,559	11,163	9,500	6,765	54,505	9,531	958,852	2019-12-10 13:05
41,500	42,429	53,916	74,133	1,236	1,132	26944,125	26251,950	15,399	11,016	9,731	6,817	54,870	9,563	958,852	2019-12-10 13:06
41,834	42,392	53,914	74,197	1,236	1,132	26703,269	26338,297	14,230	10,980	9,769	6,830	54,817	9,558	958,758	2019-12-10 13:06
42,167	42,362	53,974	74,245	1,236	1,133	26809,321	26338,139	14,566	10,837	9,895	6,907	54,805	9,557	958,758	2019-12-10 13:06
42,500	42,345	54,032	74,283	1,235	1,133	26932,174	26303,802	13,721	10,549	10,151	6,846	55,212	9,593	958,758	2019-12-10 13:07
42,834	42,331	54,063	74,283	1,236	1,133	26958,674	26274,908	14,394	10,657	10,167	6,851	54,785	9,556	958,664	2019-12-10 13:07
43,167	42,315	54,073	74,386	1,235	1,133	27036,226	26401,184	14,480	10,444	10,263	6,776	54,385	9,521	958,664	2019-12-10 13:07
43,500	42,301	54,073	74,399	1,234	1,132	26998,078	26383,873	14,141	10,403	10,329	6,857	55,306	9,601	958,664	2019-12-10 13:08
43,834	42,285	54,085	74,419	1,236	1,133	27068,368	26407,006	14,452	10,076	10,645	6,767	54,477	9,529	958,570	2019-12-10 13:08
44,167	42,275	54,093	74,494	1,235	1,132	27086,489	26471,940	13,895	10,468	10,375	6,815	54,437	9,525	958,479	2019-12-10 13:08
44,500	42,281	54,114	74,484	1,235	1,134	27024,690	26477,601	13,975	10,303	10,420	6,772	54,576	9,537	958,479	2019-12-10 13:09
44,833	42,310	54,128	74,481	1,236	1,133	26824,339	26450,657	13,552	10,043	10,613	6,735	54,984	9,573	958,479	2019-12-10 13:09
45,167	42,352	54,197	74,496	1,235	1,134	26804,054	26383,677	13,126	10,421	10,414	6,838	54,771	9,554	958,478	2019-12-10 13:09
45,500	42,395	54,266	74,482	1,235	1,134	26964,099	26289,958	12,131	10,714	10,117	6,770	54,939	9,569	958,352	2019-12-10 13:10
45,833	42,412	54,300	74,566	1,234	1,133	26856,755	26329,336	13,294	10,922	10,016	6,841	55,030	9,577	958,352	2019-12-10 13:10
46,167	42,397	54,328	74,565	1,235	1,132	26874,663	26274,908	12,556	10,860	9,766	6,825	54,581	9,538	958,352	2019-12-10 13:10
46,500	42,362	54,358	74,593	1,236	1,132	26933,980	26265,437	14,638	10,708	10,059	6,759	54,709	9,549	958,353	2019-12-10 13:11
46,833	42,308	54,392	74,658	1,234	1,131	26940,618	26276,628	15,065	10,998	9,820	6,858	54,864	9,562	958,258	2019-12-10 13:11
47,167	42,273	54,408	74,637	1,234	1,132	27030,220	26247,826	14,063	11,215	9,559	6,898	55,283	9,599	958,258	2019-12-10 13:11
47,500	42,253	54,410	74,727	1,235	1,132	27116,846	26378,136	14,647	11,369	9,396	6,930	55,077	9,581	958,164	2019-12-10 13:12
47,833	42,230	54,403	74,685	1,234	1,132	27089,225	26313,470	14,056	11,021	9,589	6,929	54,877	9,564	958,164	2019-12-10 13:12
48,167	42,218	54,396	74,843	1,235	1,131	27065,270	26504,745	14,986	10,632	10,042	6,704	55,268	9,598	958,164	2019-12-10 13:12

Pellematic 56_cat III_run 1_191210.Dat

Category: III

	301	302	304	305	306	308	317	1311	1312	1313	1314	1315	1316	1317	1318	1101	1102
Mättid	CO chimney	CO2 chimney	Pdyn	Pstat	Static pressure chimney	O2 chimney	Våg	Flue gas temp	Ambient	Flue gas at pitot	filter temp 1	filter temp 2	gas meter temp 1	gas meter temp 2	gasmeter temp ambient		T4 outlet load side
Minuter	VDC	VDC	VDC	VDC	VDC	VDC	VDC	°C	°C	°C	°C	°C	°C	°C	°C	°C	°C
48,500	0,204	0,631	1,376	0,169	0,021	0,332	1,329	104,002	19,804	28,155	29,240	31,148	20,151	20,196	20,405	20,194	61,347
48,834	0,204	0,636	1,369	0,170	0,019	0,328	1,328	104,045	19,770	28,077	22,296	25,802	20,141	20,199	20,414	20,191	61,277
49,167	0,204	0,630	1,366	0,172	0,016	0,334	1,328	104,057	19,808	28,072	23,504	22,937	20,155	20,198	20,416	20,194	61,369
49,500	0,204	0,616	1,381	0,167	0,014	0,347	1,327	104,075	19,833	28,091	24,112	24,185	20,158	20,200	20,410	20,195	61,399
49,834	0,204	0,615	1,374	0,168	0,020	0,347	1,328	104,090	19,851	28,140	23,652	18,141	20,149	20,195	20,414	20,194	61,365
50,167	0,203	0,623	1,371	0,171	0,014	0,340	1,326	104,110	19,838	28,195	29,435	21,934	20,151	20,204	20,416	20,196	61,461
50,500	0,203	0,618	1,386	0,174	0,015	0,344	1,326	104,094	19,867	28,026	23,773	24,107	20,158	20,204	20,411	20,195	61,397
50,834	0,203	0,615	1,380	0,176	0,010	0,347	1,326	103,960	19,850	27,669	24,514	22,016	20,155	20,211	20,418	20,197	61,313
51,167	0,203	0,616	1,360	0,173	0,011	0,346	1,324	103,771	19,855	27,588	21,913	24,216	20,157	20,212	20,424	20,198	61,263
51,500	0,203	0,623	1,366	0,174	0,019	0,340	1,324	103,619	19,848	27,440	25,541	25,590	20,154	20,200	20,411	20,196	61,163
51,833	0,203	0,630	1,382	0,175	0,021	0,333	1,324	103,510	19,825	27,419	23,955	25,863	20,158	20,209	20,422	20,200	61,265
52,167	0,203	0,626	1,361	0,173	0,013	0,337	1,323	103,344	19,861	27,287	19,696	25,270	20,153	20,207	20,416	20,200	61,280
52,500	0,204	0,608	1,373	0,175	0,017	0,354	1,323	103,188	19,859	27,378	26,010	26,558	20,164	20,207	20,422	20,199	61,230
52,833	0,203	0,601	1,379	0,173	0,025	0,359	1,323	103,075	19,883	27,384	25,571	27,028	20,157	20,208	20,427	20,199	61,192
53,167	0,203	0,602	1,385	0,173	0,016	0,357	1,322	102,980	19,876	27,405	25,216	24,079	20,154	20,207	20,423	20,202	61,165
53,500	0,203	0,609	1,382	0,172	0,012	0,351	1,321	102,852	19,820	27,446	23,551	25,121	20,170	20,215	20,421	20,198	61,163
53,833	0,203	0,608	1,372	0,171	0,007	0,352	1,321	102,752	19,857	27,448	24,591	20,685	20,155	20,197	20,409	20,197	61,183
54,167	0,203	0,609	1,356	0,173	0,014	0,352	1,321	102,655	19,880	27,391	25,107	22,459	20,161	20,208	20,420	20,201	61,130
54,500	0,203	0,610	1,356	0,169	0,009	0,350	1,320	102,590	19,885	27,341	24,012	23,451	20,157	20,215	20,425	20,205	61,106
54,833	0,203	0,619	1,376	0,174	0,016	0,343	1,320	102,501	19,873	27,328	25,020	22,685	20,168	20,209	20,420	20,201	61,161
55,167	0,203	0,636	1,381	0,169	0,023	0,328	1,320	102,440	19,869	27,286	24,437	26,040	20,158	20,204	20,424	20,204	61,110
55,500	0,203	0,647	1,367	0,172	0,018	0,319	1,319	102,366	19,794	27,335	23,779	25,441	20,167	20,217	20,411	20,204	61,170
55,834	0,203	0,647	1,368	0,176	0,013	0,318	1,318	102,301	19,827	27,386	24,565	22,563	20,161	20,206	20,425	20,204	61,085
56,167	0,203	0,650	1,378	0,170	0,020	0,316	1,319	102,272	19,825	27,408	25,691	27,600	20,159	20,215	20,418	20,203	61,071
56,500	0,204	0,638	1,379	0,167	0,021	0,326	1,318	102,307	19,820	27,698	25,063	26,172	20,155	20,213	20,431	20,202	61,198
56,834	0,203	0,626	1,381	0,168	0,012	0,336	1,317	102,423	19,814	27,828	23,824	24,147	20,155	20,223	20,435	20,204	61,126
57,167	0,203	0,635	1,375	0,166	0,016	0,329	1,315	102,559	19,842	27,976	24,357	24,291	20,173	20,209	20,421	20,205	61,187
57,500	0,203	0,636	1,370	0,169	0,007	0,328	1,315	102,657	19,873	28,057	22,935	22,705	20,169	20,213	20,437	20,203	61,067
57,834	0,203	0,644	1,377	0,171	0,019	0,321	1,315	102,781	19,832	28,115	25,098	24,152	20,162	20,213	20,428	20,204	61,108
58,167	0,203	0,650	1,359	0,170	0,007	0,317	1,315	102,873	19,857	28,016	23,719	22,141	20,165	20,215	20,424	20,204	61,149
58,500	0,203	0,629	1,352	0,172	0,017	0,336	1,313	102,959	19,895	28,051	23,615	21,614	20,170	20,220	20,428	20,208	61,100
58,833	0,204	0,607	1,365	0,167	0,013	0,355	1,313	102,996	19,892	28,036	25,256	23,074	20,162	20,224	20,427	20,207	61,316
59,167	0,205	0,617	1,377	0,168	0,011	0,344	1,313	103,048	19,831	27,999	25,305	23,167	20,161	20,219	20,422	20,206	61,290
59,500	0,203	0,626	1,377	0,172	0,007	0,338	1,312	103,076	19,860	28,032	25,912	42,718	20,161	20,225	20,425	20,208	61,188
59,833	0,203	0,618	1,370	0,166	0,011	0,344	1,312	103,134	19,816	28,108	44,508	86,238	20,169	20,221	20,422	20,209	61,269
60,167	0,203	0,609	1,368	0,170	0,015	0,351	1,312	103,181	19,818	28,080	24,387	18,785	20,174	20,229	20,443	20,212	61,302
60,500	0,204	0,596	1,372	0,167	0,011	0,363	1,311	103,200	19,842	28,043	23,223	21,628	20,159	20,216	20,440	20,210	61,320

Pellematic 56_cat III_run 1_191210.Dat

Category: III

	1103	1108	1109	130	230	101	102	1	2	3	6	7	8	11	
Mättid	T3 inlet load side	T2 inlet boiler	T1 outlet boiler	Flow load side	Flow boiler side	Heat output load side	Heat output boiler	CO chimney	CO2 chimney	O2 chimney	Pstat	Pdyn	Tunnel velocity	Våg	Tidpunkt
Minuter	°C	°C	°C	m ³ /h	m ³ /h	W	W	ppm	%	%	Pa	Pa	m/s	kg	Klockan
48,500	42,212	54,399	74,831	1,235	1,132	27202,644	26510,432	14,224	10,922	9,950	6,751	55,073	9,581	958,070	2019-12-10 13:13
48,834	42,209	54,402	74,828	1,234	1,131	27098,200	26485,769	13,283	10,849	9,851	6,784	54,789	9,556	957,978	2019-12-10 13:13
49,167	42,210	54,419	74,912	1,235	1,132	27235,666	26590,734	13,126	10,695	10,017	6,882	54,841	9,560	957,978	2019-12-10 13:13
49,500	42,201	54,431	74,947	1,235	1,132	27298,710	26635,427	13,219	10,308	10,399	6,673	55,221	9,593	957,978	2019-12-10 13:14
49,834	42,184	54,444	74,957	1,234	1,133	27242,302	26650,399	12,804	10,437	10,401	6,709	54,742	9,552	957,978	2019-12-10 13:14
50,167	42,163	54,458	74,978	1,235	1,132	27450,352	26630,402	11,486	10,612	10,201	6,823	54,996	9,574	957,853	2019-12-10 13:14
50,500	42,158	54,462	75,005	1,234	1,132	27347,086	26653,391	11,705	10,299	10,324	6,970	55,439	9,612	957,852	2019-12-10 13:15
50,834	42,146	54,482	74,995	1,234	1,131	27242,135	26596,127	10,872	10,448	10,400	7,043	55,470	9,615	957,853	2019-12-10 13:15
51,167	42,125	54,526	75,007	1,234	1,131	27197,487	26555,426	12,049	10,407	10,374	6,900	53,989	9,486	957,758	2019-12-10 13:15
51,500	42,107	54,556	74,993	1,233	1,131	27060,393	26491,711	11,926	10,526	10,214	6,975	54,586	9,538	957,759	2019-12-10 13:16
51,833	42,092	54,570	75,017	1,235	1,130	27255,899	26478,432	11,534	10,851	10,003	6,985	55,516	9,619	957,758	2019-12-10 13:16
52,167	42,080	54,580	74,918	1,234	1,131	27276,059	26360,034	11,957	10,563	10,115	6,916	54,264	9,510	957,665	2019-12-10 13:16
52,500	42,079	54,578	74,939	1,235	1,132	27228,151	26418,941	12,625	10,019	10,613	6,998	54,960	9,571	957,664	2019-12-10 13:17
52,833	42,085	54,576	74,827	1,236	1,130	27183,773	26230,217	11,115	10,024	10,775	6,924	55,167	9,589	957,664	2019-12-10 13:17
53,167	42,095	54,566	74,836	1,234	1,129	27099,609	26243,177	11,702	10,135	10,724	6,923	55,551	9,622	957,571	2019-12-10 13:17
53,500	42,105	54,556	74,836	1,235	1,131	27093,250	26284,034	11,707	10,228	10,541	6,863	55,080	9,581	957,571	2019-12-10 13:18
53,833	42,114	54,546	74,714	1,236	1,131	27129,071	26144,720	11,949	10,228	10,568	6,837	54,656	9,544	957,571	2019-12-10 13:18
54,167	42,119	54,535	74,701	1,235	1,131	27035,423	26137,455	11,714	10,206	10,547	6,926	54,198	9,504	957,570	2019-12-10 13:18
54,500	42,124	54,519	74,616	1,234	1,129	26973,075	26022,129	11,446	10,347	10,512	6,770	54,088	9,495	957,571	2019-12-10 13:19
54,833	42,126	54,509	74,591	1,235	1,129	27059,687	25997,492	12,292	10,457	10,280	6,951	55,412	9,610	957,479	2019-12-10 13:19
55,167	42,131	54,489	74,522	1,234	1,130	26970,502	25955,523	11,114	11,020	9,831	6,766	55,033	9,577	957,479	2019-12-10 13:19
55,500	42,129	54,470	74,493	1,235	1,129	27069,174	25914,680	11,784	11,211	9,556	6,887	54,850	9,561	957,477	2019-12-10 13:20
55,834	42,130	54,419	74,442	1,234	1,128	26933,458	25904,484	11,866	11,138	9,536	7,034	54,721	9,550	957,355	2019-12-10 13:20
56,167	42,130	54,366	74,377	1,235	1,130	26925,907	25932,932	12,031	11,196	9,473	6,807	55,341	9,604	957,355	2019-12-10 13:20
56,500	42,138	54,313	74,374	1,236	1,128	27123,268	25948,747	12,210	10,862	9,780	6,686	55,159	9,588	957,355	2019-12-10 13:21
56,834	42,139	54,234	74,293	1,235	1,129	26992,242	25964,917	11,623	10,731	10,079	6,718	55,410	9,610	957,355	2019-12-10 13:21
57,167	42,137	54,180	74,324	1,233	1,127	27053,777	26022,457	11,538	10,938	9,866	6,645	54,563	9,536	957,261	2019-12-10 13:21
57,500	42,136	54,143	74,383	1,234	1,128	26901,363	26180,135	11,046	10,743	9,844	6,740	54,741	9,552	957,167	2019-12-10 13:22
57,834	42,129	54,125	74,330	1,233	1,129	26951,346	26150,904	11,201	11,160	9,628	6,854	55,255	9,596	957,167	2019-12-10 13:22
58,167	42,119	54,118	74,322	1,234	1,128	27044,477	26125,890	11,630	11,272	9,507	6,795	54,230	9,507	957,167	2019-12-10 13:22
58,500	42,119	54,118	74,415	1,234	1,129	26973,462	26275,816	11,621	10,519	10,083	6,889	54,030	9,489	957,073	2019-12-10 13:23
58,833	42,120	54,115	74,432	1,233	1,130	27263,879	26324,900	12,718	10,105	10,646	6,693	54,858	9,562	957,072	2019-12-10 13:23
59,167	42,118	54,061	74,424	1,233	1,131	27228,847	26414,780	12,458	10,542	10,328	6,710	54,998	9,574	957,072	2019-12-10 13:23
59,500	42,117	54,037	74,480	1,235	1,132	27113,873	26527,191	11,453	10,611	10,138	6,874	55,147	9,587	956,980	2019-12-10 13:24
59,833	42,120	54,040	74,483	1,235	1,132	27232,422	26527,945	11,870	10,366	10,331	6,629	54,601	9,539	957,072	2019-12-10 13:24
60,167	42,127	54,040	74,397	1,235	1,131	27267,309	26397,979	11,752	10,181	10,545	6,789	55,062	9,580	956,981	2019-12-10 13:24
60,500	42,126	54,046	74,507	1,233	1,130	27255,861	26518,045	12,209	9,852	10,898	6,691	54,761	9,553	956,855	2019-12-10 13:25

Pellematic 56_cat III_run 1_191210.Dat

Category: III

	301	302	304	305	306	308	317	1311	1312	1313	1314	1315	1316	1317	1318	1101	1102
Mättid	CO chimney	CO2 chimney	Pdyn	Pstat	Static pressure chimney	O2 chimney	Våg	Flue gas temp	Ambient	Flue gas at pitot	filter temp 1	filter temp 2	gas meter temp 1	gas meter temp 2	gasmeter temp ambient		T4 outlet load side
Minuter	VDC	VDC	VDC	VDC	VDC	VDC	VDC	°C	°C	°C	°C	°C	°C	°C	°C	°C	°C
60,833	0,204	0,589	1,374	0,172	0,017	0,369	1,310	103,235	19,821	28,040	23,921	22,667	20,175	20,218	20,425	20,210	61,245
61,167	0,204	0,601	1,381	0,169	0,015	0,358	1,309	103,252	19,793	28,085	24,389	23,749	20,170	20,214	20,428	20,210	61,309
61,500	0,203	0,607	1,376	0,171	0,020	0,353	1,310	103,300	19,831	28,040	25,901	24,965	20,169	20,223	20,432	20,212	61,287
61,833	0,203	0,604	1,368	0,167	0,015	0,355	1,308	103,340	19,852	28,045	25,693	23,688	20,177	20,220	20,431	20,211	61,315
62,167	0,203	0,614	1,374	0,168	0,013	0,347	1,308	103,362	19,837	28,065	23,339	23,866	20,168	20,221	20,436	20,212	61,305
62,500	0,203	0,618	1,373	0,170	0,017	0,344	1,308	103,407	19,831	28,100	24,251	22,365	20,169	20,228	20,430	20,212	61,269
62,834	0,203	0,608	1,372	0,170	0,014	0,353	1,307	103,409	19,852	27,988	24,251	23,999	20,171	20,233	20,432	20,212	61,264
63,167	0,203	0,607	1,376	0,171	0,010	0,354	1,307	103,438	19,874	27,964	23,222	23,150	20,170	20,221	20,434	20,214	61,267
63,500	0,203	0,598	1,381	0,172	0,016	0,362	1,306	103,455	19,853	28,054	24,870	22,847	20,176	20,231	20,435	20,216	61,257
63,834	0,203	0,608	1,357	0,172	0,018	0,353	1,305	103,481	19,922	28,157	25,698	26,348	20,177	20,232	20,431	20,217	61,279
64,167	0,203	0,614	1,365	0,170	0,023	0,347	1,305	103,541	19,876	28,132	26,033	25,169	20,173	20,224	20,438	20,218	61,225
64,500	0,204	0,636	1,364	0,170	0,017	0,328	1,304	103,577	19,900	28,118	23,557	25,298	20,184	20,227	20,438	20,220	61,181
64,834	0,203	0,642	1,374	0,168	0,013	0,323	1,304	103,612	19,896	28,128	23,203	23,034	20,169	20,232	20,438	20,220	61,190
65,167	0,203	0,648	1,382	0,170	0,010	0,318	1,303	103,656	19,893	28,047	23,062	23,796	20,179	20,225	20,436	20,219	61,201
65,500	0,203	0,639	1,384	0,169	0,022	0,326	1,302	103,688	19,921	28,099	30,204	27,407	20,189	20,234	20,450	20,225	61,296
65,833	0,203	0,640	1,363	0,173	0,019	0,325	1,302	103,737	19,898	28,237	24,057	25,498	20,170	20,227	20,422	20,218	61,171
66,167	0,203	0,639	1,361	0,173	0,014	0,325	1,302	103,778	19,915	28,272	25,900	24,005	20,182	20,233	20,442	20,224	61,268
66,500	0,203	0,632	1,371	0,169	0,018	0,331	1,300	103,787	19,851	28,105	26,245	22,656	20,181	20,237	20,454	20,226	61,272
66,833	0,203	0,623	1,376	0,170	0,014	0,340	1,300	103,797	19,868	28,034	25,271	22,988	20,190	20,235	20,451	20,225	61,251
67,167	0,203	0,615	1,365	0,173	0,014	0,347	1,299	103,841	19,863	28,105	24,173	24,987	20,183	20,243	20,438	20,227	61,272
67,500	0,203	0,616	1,374	0,172	0,011	0,346	1,299	103,855	19,850	28,153	22,913	23,778	20,184	20,245	20,452	20,230	61,292
67,833	0,203	0,621	1,374	0,171	0,009	0,341	1,298	103,870	19,864	28,119	23,108	21,727	20,185	20,234	20,443	20,226	61,290
68,167	0,204	0,633	1,371	0,172	0,016	0,331	1,297	103,932	19,889	28,174	24,332	22,460	20,196	20,243	20,445	20,230	61,315
68,500	0,204	0,637	1,359	0,170	0,022	0,327	1,297	103,945	19,895	28,193	26,441	26,782	20,178	20,247	20,443	20,227	61,269
68,833	0,204	0,635	1,361	0,173	0,022	0,329	1,297	103,965	19,873	28,139	24,419	24,417	20,185	20,242	20,444	20,228	61,262
69,167	0,204	0,634	1,373	0,172	0,020	0,330	1,296	103,977	19,892	28,151	23,853	24,384	20,184	20,245	20,451	20,230	61,257
69,500	0,204	0,633	1,357	0,172	0,018	0,332	1,295	103,968	19,894	28,206	25,311	22,045	20,192	20,246	20,443	20,232	61,194
69,834	0,204	0,636	1,359	0,172	0,017	0,328	1,296	103,933	19,963	28,103	25,162	24,704	20,183	20,249	20,448	20,230	61,220
70,167	0,204	0,630	1,359	0,173	0,019	0,334	1,294	103,889	19,961	28,076	24,569	25,444	20,202	20,253	20,448	20,236	61,224
70,500	0,204	0,630	1,363	0,171	0,011	0,333	1,295	103,862	19,929	28,025	23,522	21,935	20,189	20,255	20,440	20,234	61,226
70,834	0,204	0,641	1,361	0,171	0,019	0,324	1,293	103,843	19,918	27,980	28,942	19,027	20,194	20,249	20,448	20,233	61,271
71,167	0,204	0,650	1,359	0,171	0,020	0,316	1,293	103,844	19,952	27,959	23,295	16,906	20,200	20,243	20,443	20,230	61,347
71,500	0,203	0,655	1,362	0,172	0,011	0,311	1,291	103,855	19,953	27,932	19,653	7,329	20,200	20,257	20,452	20,240	61,252
71,834	0,203	0,666	1,372	0,173	0,018	0,302	1,291	103,788	19,948	27,710	20,076	112,519	20,183	20,241	20,449	20,232	61,347
72,167	0,203	0,675	1,361	0,172	0,021	0,294	1,291	103,611	19,943	27,468	-74,498	-7,785	20,196	20,235	20,447	20,236	61,306
72,500	0,203	0,679	1,373	0,173	0,015	0,292	1,291	103,439	19,944	27,412	-0,112	-3,962	20,194	20,255	20,453	20,244	61,308
72,833	0,203	0,668	1,377	0,174	0,016	0,301	1,289	103,266	19,958	27,201	-27,818	-11,494	20,198	20,245	20,460	20,237	61,365

Pellematic 56_cat III_run 1_191210.Dat

Category: III

	1103	1108	1109	130	230	101	102	1	2	3	6	7	8	11	
Mättid	T3 inlet load side	T2 inlet boiler	T1 outlet boiler	Flow load side	Flow boiler side	Heat output load side	Heat output boiler	CO chimney	CO2 chimney	O2 chimney	Pstat	Pdyn	Tunnel velocity	Våg	Tidpunkt
Minuter	°C	°C	°C	m ³ /h	m ³ /h	W	W	ppm	%	%	Pa	Pa	m/s	kg	Klockan
60,833	42,121	54,048	74,479	1,235	1,131	27204,480	26484,826	12,625	9,699	11,078	6,863	55,010	9,575	956,854	2019-12-10 13:25
61,167	42,124	54,059	74,514	1,233	1,131	27235,150	26519,248	12,497	10,115	10,746	6,758	55,165	9,589	956,761	2019-12-10 13:25
61,500	42,119	54,063	74,437	1,234	1,131	27231,020	26429,380	11,785	10,110	10,598	6,836	54,786	9,556	956,855	2019-12-10 13:26
61,833	42,111	54,067	74,448	1,235	1,131	27299,688	26441,956	11,106	10,188	10,655	6,700	54,491	9,530	956,760	2019-12-10 13:26
62,167	42,110	54,067	74,491	1,234	1,130	27277,327	26461,263	11,871	10,336	10,409	6,736	54,968	9,571	956,761	2019-12-10 13:26
62,500	42,108	54,063	74,405	1,235	1,130	27240,837	26359,602	11,317	10,372	10,322	6,806	54,756	9,553	956,761	2019-12-10 13:27
62,834	42,110	54,054	74,454	1,235	1,131	27228,804	26451,853	11,119	10,183	10,593	6,807	55,044	9,578	956,666	2019-12-10 13:27
63,167	42,122	54,043	74,449	1,235	1,130	27216,721	26449,421	11,371	10,110	10,616	6,857	55,033	9,577	956,667	2019-12-10 13:27
63,500	42,154	54,046	74,448	1,235	1,131	27165,377	26456,679	11,361	9,984	10,859	6,877	55,345	9,604	956,573	2019-12-10 13:28
63,834	42,199	54,046	74,411	1,235	1,131	27134,373	26419,365	11,867	10,151	10,593	6,862	54,115	9,497	956,573	2019-12-10 13:28
64,167	42,235	54,059	74,390	1,235	1,131	27011,435	26358,302	11,525	10,478	10,410	6,795	54,516	9,532	956,573	2019-12-10 13:28
64,500	42,261	54,089	74,374	1,234	1,131	26886,591	26298,932	12,040	10,978	9,835	6,794	54,440	9,525	956,480	2019-12-10 13:29
64,834	42,275	54,144	74,387	1,234	1,132	26880,527	26280,346	11,710	11,132	9,677	6,733	55,138	9,586	956,480	2019-12-10 13:29
65,167	42,292	54,177	74,473	1,234	1,130	26870,904	26304,763	10,868	11,161	9,534	6,780	55,380	9,607	956,355	2019-12-10 13:29
65,500	42,293	54,195	74,416	1,235	1,130	27029,980	26207,603	10,700	10,889	9,778	6,774	55,307	9,601	956,355	2019-12-10 13:30
65,833	42,278	54,205	74,488	1,234	1,132	26845,995	26314,191	10,441	11,101	9,748	6,934	54,385	9,521	956,356	2019-12-10 13:30
66,167	42,255	54,213	74,426	1,234	1,131	27005,255	26201,900	10,115	10,978	9,746	6,936	54,481	9,529	956,356	2019-12-10 13:30
66,500	42,239	54,218	74,480	1,235	1,131	27070,126	26276,034	10,445	10,735	9,927	6,775	54,936	9,569	956,261	2019-12-10 13:31
66,833	42,232	54,212	74,538	1,233	1,129	27007,734	26314,460	9,858	10,477	10,189	6,816	55,095	9,583	956,261	2019-12-10 13:31
67,167	42,225	54,205	74,492	1,233	1,130	27046,542	26291,987	10,358	10,294	10,419	6,904	54,501	9,531	956,167	2019-12-10 13:31
67,500	42,210	54,210	74,591	1,235	1,130	27134,180	26411,266	10,798	10,507	10,389	6,875	55,174	9,589	956,167	2019-12-10 13:32
67,833	42,180	54,212	74,557	1,235	1,132	27175,095	26408,902	11,989	10,565	10,236	6,852	54,873	9,563	956,073	2019-12-10 13:32
68,167	42,132	54,215	74,644	1,234	1,129	27260,025	26435,168	13,129	10,841	9,925	6,881	54,594	9,539	956,073	2019-12-10 13:32
68,500	42,078	54,201	74,617	1,233	1,129	27251,646	26425,855	12,958	10,882	9,825	6,813	54,525	9,533	956,073	2019-12-10 13:33
68,833	42,028	54,183	74,648	1,235	1,129	27344,889	26498,771	12,875	10,871	9,864	6,912	54,512	9,532	956,074	2019-12-10 13:33
69,167	41,989	54,152	74,709	1,233	1,129	27363,825	26601,847	12,714	10,825	9,904	6,893	54,969	9,572	955,981	2019-12-10 13:33
69,500	41,963	54,129	74,725	1,233	1,130	27305,967	26682,696	12,545	10,795	9,954	6,882	54,206	9,505	955,855	2019-12-10 13:34
69,834	41,938	54,128	74,666	1,233	1,129	27377,375	26576,369	12,373	10,906	9,853	6,893	54,432	9,525	955,981	2019-12-10 13:34
70,167	41,917	54,118	74,718	1,233	1,129	27411,603	26670,144	12,619	10,718	10,013	6,904	54,513	9,532	955,939	2019-12-10 13:34
70,500	41,907	54,112	74,787	1,233	1,129	27434,649	26758,577	11,951	10,776	10,005	6,841	54,295	9,513	955,856	2019-12-10 13:35
70,834	41,913	54,107	74,671	1,233	1,130	27493,932	26632,523	12,968	11,174	9,717	6,856	54,600	9,539	955,761	2019-12-10 13:35
71,167	41,922	54,103	74,749	1,232	1,128	27566,275	26708,783	12,126	11,238	9,486	6,840	54,573	9,537	955,761	2019-12-10 13:35
71,500	41,933	54,107	74,756	1,233	1,129	27426,806	26726,577	11,705	11,444	9,339	6,879	54,375	9,520	955,667	2019-12-10 13:36
71,834	41,947	54,114	74,778	1,234	1,128	27559,695	26722,089	11,617	11,712	9,053	6,923	54,878	9,564	955,667	2019-12-10 13:36
72,167	41,962	54,116	74,803	1,233	1,129	27463,845	26773,379	10,860	12,000	8,835	6,869	54,547	9,535	955,668	2019-12-10 13:36
72,500	41,982	54,134	74,814	1,233	1,128	27446,855	26750,254	11,033	11,865	8,760	6,937	55,232	9,594	955,761	2019-12-10 13:37
72,833	42,004	54,149	74,831	1,234	1,129	27505,177	26770,082	10,365	11,674	9,024	6,970	54,890	9,565	955,574	2019-12-10 13:37

Pellematic 56_cat III_run 1_191210.Dat

Category: III

	301	302	304	305	306	308	317	1311	1312	1313	1314	1315	1316	1317	1318	1101	1102
Mättid	CO chimney	CO2 chimney	Pdyn	Pstat	Static pressure chimney	O2 chimney	Våg	Flue gas temp	Ambient	Flue gas at pitot	filter temp 1	filter temp 2	gas meter temp 1	gas meter temp 2	gasmeter temp ambient		T4 outlet load side
Minuter	VDC	VDC	VDC	VDC	VDC	VDC	VDC	°C	°C	°C	°C	°C	°C	°C	°C	°C	°C
73,167	0,203	0,659	1,379	0,174	0,009	0,308	1,289	103,331	19,988	27,684	20,072	-1,073	20,207	20,251	20,454	20,237	61,226
73,500	0,203	0,660	1,376	0,174	0,023	0,306	1,289	103,284	19,982	27,413	20,064	10,354	20,200	20,249	20,467	20,238	61,328
73,833	0,203	0,690	1,364	0,173	0,013	0,282	1,288	103,024	20,001	27,138	14,475	-4989,437	20,197	20,251	20,456	20,241	61,306
74,167	0,203	0,680	1,354	0,173	0,020	0,291	1,288	102,770	19,973	27,077	26,401	-12,711	20,202	20,247	20,451	20,238	61,206
74,500	0,203	0,681	1,381	0,175	0,022	0,289	1,288	102,582	19,973	26,902	29,813	-0,251	20,201	20,242	20,458	20,238	61,227
74,833	0,203	0,690	1,382	0,176	0,020	0,281	1,287	102,416	19,972	26,870	31,044	85,898	20,218	20,253	20,464	20,244	61,362
75,167	0,203	0,683	1,363	0,174	0,019	0,287	1,286	102,269	19,935	26,893	37,869	11,527	20,208	20,252	20,457	20,245	61,181
75,500	0,203	0,685	1,373	0,172	0,009	0,286	1,286	102,111	19,879	26,904	36,272	14,367	20,210	20,250	20,463	20,245	61,188
75,834	0,203	0,703	1,372	0,177	0,014	0,270	1,286	101,997	19,892	26,853	37,130	10,281	20,216	20,242	20,458	20,240	61,286
76,167	0,203	0,701	1,377	0,175	0,018	0,273	1,284	101,839	19,915	26,737	36,350	18,450	20,212	20,249	20,453	20,244	61,257
76,500	0,203	0,700	1,387	0,171	0,018	0,274	1,284	101,687	19,867	26,758	32,147	19,776	20,225	20,249	20,462	20,242	61,266
76,834	0,203	0,689	1,384	0,172	0,013	0,283	1,284	101,584	19,909	26,810	32,662	22,806	20,211	20,244	20,459	20,243	61,241
77,167	0,203	0,693	1,382	0,170	0,012	0,279	1,283	101,444	19,943	26,811	32,420	24,133	20,219	20,264	20,454	20,242	61,184
77,500	0,203	0,700	1,382	0,171	0,011	0,273	1,283	101,262	19,933	26,675	25,626	28,230	20,226	20,256	20,464	20,242	61,255
77,834	0,203	0,700	1,370	0,171	0,020	0,273	1,283	101,080	19,894	26,613	108,020	60,230	20,216	20,265	20,466	20,244	61,182
78,167	0,203	0,711	1,363	0,173	0,017	0,264	1,281	100,934	19,929	26,563	21,765	22,128	20,233	20,256	20,466	20,247	61,222
78,500	0,203	0,713	1,371	0,172	0,017	0,262	1,281	100,808	19,942	26,437	28,237	10,438	20,237	20,255	20,469	20,248	61,237
78,833	0,203	0,700	1,383	0,172	0,015	0,273	1,280	100,665	19,950	26,365	26,961	16,498	20,237	20,263	20,475	20,249	61,224
79,167	0,203	0,707	1,383	0,171	0,018	0,266	1,280	100,538	19,902	26,407	28,693	18,973	20,231	20,259	20,466	20,249	61,194
79,500	0,203	0,719	1,372	0,168	0,014	0,255	1,280	100,422	19,692	26,517	30,784	22,400	20,243	20,261	20,468	20,254	61,221
79,833	0,203	0,730	1,379	0,172	0,013	0,245	1,279	100,339	19,769	26,449	30,330	22,415	20,233	20,261	20,470	20,252	61,234
80,167	0,203	0,730	1,378	0,171	0,015	0,247	1,278	100,214	19,841	26,388	24,662	25,935	20,233	20,265	20,468	20,251	61,236
80,500	0,203	0,737	1,373	0,171	0,018	0,240	1,280	100,098	19,864	26,351	30,255	26,208	20,231	20,262	20,460	20,256	61,275
80,833	0,202	0,736	1,365	0,172	0,014	0,241	1,278	99,975	19,972	26,373	21,468	33,195	20,243	20,274	20,473	20,258	61,186
81,167	0,202	0,728	1,377	0,172	0,015	0,249	1,276	99,863	19,936	26,327	29,216	22,732	20,238	20,267	20,478	20,254	61,185
81,500	0,202	0,728	1,369	0,168	0,012	0,249	1,277	99,748	19,949	26,353	28,510	23,155	20,238	20,261	20,475	20,254	61,145
81,833	0,202	0,723	1,376	0,171	0,018	0,254	1,275	99,638	19,940	26,283	27,737	24,449	20,249	20,275	20,472	20,260	61,140
82,167	0,203	0,724	1,376	0,169	0,010	0,252	1,275	99,518	19,947	26,275	25,139	23,943	20,237	20,266	20,465	20,258	61,105
82,500	0,203	0,726	1,377	0,169	0,019	0,250	1,275	99,434	19,933	26,232	27,033	27,825	20,246	20,266	20,464	20,258	61,115
82,834	0,202	0,733	1,389	0,171	0,017	0,245	1,275	99,351	19,914	26,298	26,986	25,026	20,240	20,266	20,466	20,260	61,191
83,167	0,202	0,739	1,384	0,169	0,015	0,239	1,274	99,290	19,885	26,292	24,869	23,909	20,235	20,271	20,466	20,259	61,263
83,500	0,202	0,735	1,381	0,169	0,013	0,243	1,273	99,214	19,891	26,233	27,264	24,672	20,245	20,276	20,475	20,262	61,208
83,834	0,202	0,730	1,371	0,169	0,016	0,246	1,273	99,153	19,855	26,285	26,416	26,356	20,241	20,271	20,467	20,263	61,190
84,167	0,203	0,726	1,365	0,168	0,018	0,250	1,272	99,069	19,882	26,333	25,777	24,541	20,243	20,275	20,473	20,262	61,179
84,500	0,202	0,734	1,376	0,169	0,013	0,243	1,272	99,019	19,853	26,281	25,075	24,188	20,234	20,277	20,468	20,261	61,186
84,834	0,202	0,738	1,387	0,168	0,015	0,239	1,272	98,962	19,887	26,286	24,724	25,510	20,227	20,277	20,463	20,264	61,199
85,167	0,202	0,747	1,389	0,169	0,017	0,231	1,271	98,904	19,893	26,284	24,853	23,942	20,245	20,268	20,468	20,263	61,196

Pellematic 56_cat III_run 1_191210.Dat

Category: III

	1103	1108	1109	130	230	101	102	1	2	3	6	7	8	11	
Mättid	T3 inlet load side	T2 inlet boiler	T1 outlet boiler	Flow load side	Flow boiler side	Heat output load side	Heat output boiler	CO chimney	CO2 chimney	O2 chimney	Pstat	Pdyn	Tunnel velocity	Våg	Tidpunkt
Minuter	°C	°C	°C	m ³ /h	m ³ /h	W	W	ppm	%	%	Pa	Pa	m/s	kg	Klockan
73,167	42,030	54,170	74,760	1,232	1,130	27240,943	26677,235	11,364	11,289	9,246	6,943	54,881	9,564	955,573	2019-12-10 13:37
73,500	42,050	54,212	74,824	1,234	1,130	27386,884	26695,937	11,538	11,672	9,171	6,974	55,056	9,579	955,574	2019-12-10 13:38
73,833	42,070	54,234	74,762	1,234	1,129	27330,162	26574,752	10,366	12,280	8,466	6,932	54,334	9,516	955,482	2019-12-10 13:38
74,167	42,085	54,256	74,725	1,234	1,129	27173,822	26491,805	10,839	11,942	8,718	6,900	54,353	9,518	955,482	2019-12-10 13:38
74,500	42,097	54,295	74,736	1,235	1,129	27202,388	26450,655	10,109	12,004	8,674	7,018	55,211	9,593	955,482	2019-12-10 13:39
74,833	42,107	54,328	74,688	1,234	1,128	27363,226	26322,879	10,273	12,352	8,443	7,035	55,166	9,589	955,353	2019-12-10 13:39
75,167	42,112	54,315	74,700	1,232	1,130	27052,584	26410,248	11,281	12,015	8,617	6,976	54,734	9,551	955,353	2019-12-10 13:39
75,500	42,109	54,323	74,696	1,234	1,129	27111,756	26366,520	10,194	12,184	8,570	6,896	54,979	9,572	955,352	2019-12-10 13:40
75,834	42,107	54,338	74,612	1,233	1,130	27228,079	26258,190	10,186	12,709	8,089	7,064	55,297	9,600	955,353	2019-12-10 13:40
76,167	42,110	54,317	74,563	1,235	1,129	27219,210	26211,396	11,525	12,519	8,180	6,994	55,109	9,584	955,259	2019-12-10 13:40
76,500	42,125	54,275	74,579	1,233	1,128	27180,526	26270,499	10,519	12,537	8,213	6,850	55,640	9,630	955,258	2019-12-10 13:41
76,834	42,156	54,248	74,556	1,233	1,128	27103,520	26258,636	10,194	12,143	8,496	6,866	55,444	9,613	955,258	2019-12-10 13:41
77,167	42,191	54,234	74,524	1,233	1,129	26971,742	26254,201	10,284	12,315	8,362	6,792	55,013	9,575	955,165	2019-12-10 13:41
77,500	42,229	54,234	74,491	1,234	1,127	27035,493	26185,757	10,786	12,478	8,190	6,852	55,321	9,602	955,164	2019-12-10 13:42
77,834	42,265	54,248	74,494	1,234	1,128	26879,718	26178,948	10,873	12,618	8,179	6,856	54,567	9,536	955,161	2019-12-10 13:42
78,167	42,298	54,265	74,464	1,233	1,129	26862,065	26135,384	11,111	12,813	7,913	6,901	54,394	9,521	955,070	2019-12-10 13:42
78,500	42,319	54,272	74,436	1,233	1,128	26862,323	26086,823	9,851	12,728	7,864	6,899	54,903	9,566	955,070	2019-12-10 13:43
78,833	42,335	54,288	74,369	1,234	1,128	26842,375	25981,371	10,276	12,477	8,191	6,883	55,158	9,588	955,070	2019-12-10 13:43
79,167	42,342	54,298	74,387	1,234	1,128	26779,278	25982,481	9,856	12,738	7,987	6,834	55,096	9,583	954,980	2019-12-10 13:43
79,500	42,354	54,297	74,422	1,233	1,128	26780,038	26029,659	9,366	13,065	7,651	6,708	54,847	9,561	954,978	2019-12-10 13:44
79,833	42,345	54,297	74,349	1,234	1,129	26840,631	25946,106	9,944	13,239	7,362	6,881	55,100	9,583	954,852	2019-12-10 13:44
80,167	42,333	54,293	74,330	1,234	1,128	26851,133	25922,933	10,027	13,249	7,398	6,832	55,358	9,605	954,852	2019-12-10 13:44
80,500	42,321	54,283	74,283	1,234	1,127	26922,763	25843,230	9,518	13,504	7,202	6,843	54,918	9,567	954,978	2019-12-10 13:45
80,833	42,312	54,255	74,319	1,233	1,128	26802,496	25951,027	9,353	13,346	7,229	6,871	54,540	9,534	954,852	2019-12-10 13:45
81,167	42,297	54,242	74,276	1,234	1,127	26829,674	25893,545	9,265	13,143	7,470	6,888	54,784	9,555	954,762	2019-12-10 13:45
81,500	42,287	54,223	74,276	1,234	1,127	26793,198	25920,278	9,100	13,202	7,477	6,740	54,844	9,561	954,852	2019-12-10 13:46
81,833	42,281	54,208	74,237	1,234	1,127	26796,940	25881,781	9,350	13,133	7,617	6,823	55,034	9,577	954,665	2019-12-10 13:46
82,167	42,275	54,195	74,259	1,232	1,128	26720,463	25960,878	9,858	13,077	7,561	6,745	54,989	9,573	954,664	2019-12-10 13:46
82,500	42,272	54,183	74,247	1,233	1,129	26757,695	25970,215	9,346	13,162	7,501	6,774	55,189	9,591	954,664	2019-12-10 13:47
82,834	42,265	54,175	74,205	1,232	1,128	26855,100	25916,586	9,167	13,365	7,340	6,853	55,470	9,615	954,664	2019-12-10 13:47
83,167	42,266	54,142	74,167	1,232	1,128	26950,224	25910,043	9,095	13,475	7,160	6,767	55,385	9,608	954,571	2019-12-10 13:47
83,500	42,259	54,088	74,163	1,233	1,130	26908,006	26008,285	8,251	13,313	7,287	6,773	54,914	9,567	954,570	2019-12-10 13:48
83,834	42,255	54,076	74,185	1,234	1,130	26898,266	26065,172	9,010	13,179	7,393	6,751	54,906	9,566	954,571	2019-12-10 13:48
84,167	42,245	54,054	74,091	1,235	1,128	26915,656	25916,783	9,435	13,175	7,495	6,702	54,238	9,508	954,571	2019-12-10 13:48
84,500	42,245	54,024	74,231	1,233	1,128	26897,343	26138,434	9,186	13,390	7,287	6,763	55,204	9,592	954,478	2019-12-10 13:49
84,834	42,239	53,999	74,167	1,233	1,128	26922,416	26085,596	8,176	13,502	7,171	6,715	55,537	9,621	954,478	2019-12-10 13:49
85,167	42,241	53,989	74,108	1,233	1,128	26906,844	26024,074	8,765	13,759	6,938	6,751	55,441	9,613	954,352	2019-12-10 13:49

Pellematic 56_cat III_run 1_191210.Dat

Category: III

	301	302	304	305	306	308	317	1311	1312	1313	1314	1315	1316	1317	1318	1101	1102
Mättid	CO chimney	CO2 chimney	Pdyn	Pstat	Static pressure chimney	O2 chimney	Våg	Flue gas temp	Ambient	Flue gas at pitot	filter temp 1	filter temp 2	gas meter temp 1	gas meter temp 2	gasmeter temp ambient		T4 outlet load side
Minuter	VDC	VDC	VDC	VDC	VDC	VDC	VDC	°C	°C	°C	°C	°C	°C	°C	°C	°C	°C
85,500	0,203	0,752	1,391	0,168	0,013	0,228	1,270	98,837	19,902	26,264	25,640	23,722	20,244	20,279	20,474	20,264	61,193
85,833	0,202	0,741	1,390	0,168	0,019	0,237	1,270	98,741	19,885	26,277	25,404	25,579	20,248	20,281	20,479	20,266	61,277
86,167	0,202	0,740	1,391	0,170	0,016	0,238	1,269	98,724	19,889	26,292	25,462	24,604	20,243	20,287	20,455	20,266	61,369
86,500	0,202	0,746	1,378	0,167	0,018	0,234	1,268	98,707	19,897	26,253	25,601	25,346	20,246	20,286	20,470	20,266	61,286
86,833	0,202	0,753	1,381	0,169	0,016	0,226	1,268	98,632	19,908	26,273	25,928	24,807	20,235	20,275	20,475	20,264	61,308
87,167	0,202	0,758	1,393	0,168	0,017	0,221	1,267	98,597	19,884	26,257	25,359	24,845	20,241	20,278	20,473	20,268	61,332
87,500	0,202	0,761	1,389	0,168	0,017	0,219	1,267	98,559	19,876	26,259	25,816	25,158	20,231	20,272	20,477	20,267	61,288
87,833	0,202	0,759	1,385	0,170	0,010	0,221	1,266	98,511	19,839	26,249	24,330	25,377	20,245	20,282	20,475	20,268	61,204
88,167	0,202	0,742	1,379	0,164	0,011	0,236	1,265	98,479	19,797	26,324	24,522	23,654	20,240	20,271	20,473	20,267	61,204
88,500	0,202	0,741	1,381	0,166	0,014	0,236	1,265	98,460	19,858	26,250	25,806	24,653	20,235	20,283	20,476	20,270	61,245
88,833	0,202	0,747	1,385	0,167	0,016	0,230	1,265	98,375	19,882	26,131	26,479	26,330	20,241	20,279	20,477	20,270	61,274
89,167	0,203	0,755	1,386	0,168	0,015	0,223	1,264	98,342	19,899	26,243	26,958	25,812	20,246	20,279	20,481	20,271	61,303
89,500	0,202	0,758	1,368	0,166	0,009	0,221	1,263	98,340	19,936	26,245	22,655	22,925	20,234	20,285	20,475	20,269	61,335
89,834	0,203	0,764	1,363	0,166	0,016	0,216	1,263	98,292	19,834	26,260	25,496	25,238	20,242	20,273	20,478	20,269	61,320
90,167	0,202	0,760	1,375	0,167	0,010	0,220	1,262	98,280	19,871	26,226	24,838	24,528	20,241	20,276	20,467	20,270	61,316
90,500	0,202	0,765	1,382	0,166	0,018	0,217	1,262	98,257	19,865	26,151	24,867	24,560	20,238	20,284	20,473	20,271	61,344
90,834	0,202	0,769	1,371	0,166	0,017	0,212	1,262	98,237	19,908	26,190	26,298	25,723	20,235	20,283	20,477	20,272	61,319
91,167	0,202	0,768	1,384	0,166	0,014	0,213	1,260	98,206	19,916	26,220	25,075	23,529	20,240	20,281	20,481	20,270	61,345
91,500	0,202	0,754	1,373	0,166	0,014	0,226	1,260	98,186	19,905	26,233	25,933	25,004	20,234	20,278	20,475	20,272	61,309
91,834	0,202	0,754	1,391	0,167	0,015	0,226	1,259	98,193	19,894	26,238	18,547	48,228	20,223	20,272	20,468	20,268	61,251
92,167	0,202	0,751	1,380	0,167	0,011	0,228	1,259	98,207	19,904	26,190	26,206	25,808	20,236	20,274	20,467	20,269	61,218
92,500	0,202	0,745	1,373	0,168	0,014	0,233	1,259	98,212	19,909	26,230	25,484	12,379	20,220	20,274	20,470	20,271	61,220
92,833	0,202	0,751	1,378	0,169	0,011	0,228	1,257	98,212	19,916	26,148	24,018	22,564	20,228	20,277	20,475	20,271	61,195
93,167	0,202	0,759	1,381	0,165	0,014	0,221	1,257	98,152	19,929	26,176	25,662	23,079	20,239	20,292	20,481	20,274	61,248
93,500	0,202	0,752	1,362	0,165	0,017	0,228	1,256	98,118	19,824	26,301	24,758	23,476	20,238	20,286	20,486	20,279	61,280
93,833	0,202	0,742	1,376	0,166	0,009	0,237	1,256	98,081	19,733	26,222	47,081	-4987,259	20,238	20,289	20,471	20,274	61,263
94,167	0,202	0,742	1,383	0,165	0,008	0,236	1,256	98,079	19,738	26,193	118,483	14,406	20,240	20,290	20,482	20,279	61,297
94,500	0,202	0,751	1,375	0,169	0,013	0,228	1,254	98,059	19,662	26,089	0,224	-1,900	20,225	20,287	20,478	20,275	61,272
94,833	0,202	0,761	1,373	0,165	0,017	0,220	1,254	98,067	19,741	26,159	11,799	3,200	20,230	20,276	20,470	20,275	61,324
95,167	0,202	0,759	1,374	0,169	0,016	0,221	1,253	98,015	19,770	26,142	19,828	8,272	20,233	20,284	20,477	20,275	61,300
95,500	0,202	0,754	1,380	0,165	0,013	0,226	1,252	97,965	19,805	26,100	23,502	13,537	20,236	20,287	20,477	20,275	61,312
95,833	0,202	0,739	1,390	0,168	0,013	0,240	1,252	97,956	19,811	26,052	25,810	18,371	20,225	20,285	20,479	20,278	61,290
96,167	0,202	0,718	1,390	0,167	0,020	0,258	1,251	97,975	19,831	26,089	24,949	12,988	20,229	20,291	20,474	20,277	61,334
96,500	0,201	0,710	1,872	0,164	0,013	0,265	1,252	97,977	19,841	26,139	26,909	6,215	20,235	20,290	20,485	20,281	61,232
96,834	0,201	0,725	2,645	0,164	0,018	0,251	1,251	97,952	19,832	26,187	26,161	10,982	20,223	20,279	20,476	20,275	61,227
97,167	0,202	0,740	2,720	0,165	0,021	0,237	1,251	97,941	19,866	26,129	28,781	16,896	20,237	20,295	20,487	20,282	61,133
97,500	0,202	0,760	2,737	0,169	0,017	0,220	1,250	97,928	19,860	26,099	29,671	19,444	20,233	20,276	20,472	20,278	61,328

Pellematic 56_cat III_run 1_191210.Dat

Category: III

	1103	1108	1109	130	230	101	102	1	2	3	6	7	8	11	
Mättid	T3 inlet load side	T2 inlet boiler	T1 outlet boiler	Flow load side	Flow boiler side	Heat output load side	Heat output boiler	CO chimney	CO2 chimney	O2 chimney	Pstat	Pdyn	Tunnel velocity	Våg	Tidpunkt
Minuter	°C	°C	°C	m ³ /h	m ³ /h	W	W	ppm	%	%	Pa	Pa	m/s	kg	Klockan
85,500	42,234	53,985	74,152	1,233	1,129	26913,274	26113,314	9,260	13,708	6,836	6,711	55,983	9,659	954,353	2019-12-10 13:50
85,833	42,234	53,975	74,143	1,232	1,128	27021,406	26085,953	8,514	13,528	7,101	6,740	55,527	9,620	954,353	2019-12-10 13:50
86,167	42,230	53,944	74,197	1,232	1,128	27149,680	26190,181	7,680	13,653	7,133	6,780	55,406	9,610	954,259	2019-12-10 13:50
86,500	42,230	53,896	74,171	1,233	1,127	27054,294	26212,457	7,168	13,585	7,007	6,675	55,185	9,590	954,258	2019-12-10 13:51
86,833	42,232	53,874	74,182	1,231	1,127	27039,408	26237,058	7,509	13,892	6,792	6,767	55,281	9,599	954,258	2019-12-10 13:51
87,167	42,253	53,864	74,164	1,232	1,127	27061,796	26226,752	7,845	13,976	6,644	6,725	55,485	9,616	954,165	2019-12-10 13:51
87,500	42,292	53,860	74,210	1,233	1,126	26964,052	26283,169	8,098	14,076	6,569	6,728	55,570	9,624	954,165	2019-12-10 13:52
87,833	42,327	53,871	74,224	1,232	1,128	26778,470	26321,401	7,847	13,919	6,641	6,800	55,548	9,622	954,071	2019-12-10 13:52
88,167	42,358	53,924	74,199	1,234	1,127	26781,113	26202,224	8,016	13,451	7,072	6,543	54,929	9,568	954,071	2019-12-10 13:52
88,500	42,394	53,974	74,138	1,234	1,127	26776,464	26065,400	8,764	13,546	7,092	6,646	55,221	9,593	954,077	2019-12-10 13:53
88,833	42,421	53,999	74,239	1,233	1,128	26771,915	26182,786	9,792	13,784	6,912	6,700	55,418	9,611	954,071	2019-12-10 13:53
89,167	42,435	54,022	74,223	1,233	1,127	26792,173	26110,886	10,106	13,820	6,695	6,710	55,326	9,603	953,978	2019-12-10 13:53
89,500	42,434	54,043	74,195	1,233	1,128	26837,319	26052,421	8,846	13,913	6,623	6,626	54,347	9,517	953,852	2019-12-10 13:54
89,834	42,412	54,067	74,165	1,232	1,127	26823,645	25964,070	10,520	14,122	6,489	6,644	54,748	9,552	953,852	2019-12-10 13:54
90,167	42,391	54,078	74,233	1,233	1,126	26868,407	26033,155	9,100	14,029	6,596	6,664	55,082	9,581	953,852	2019-12-10 13:54
90,500	42,376	54,073	74,341	1,233	1,126	26932,256	26177,674	9,516	14,137	6,496	6,657	55,170	9,589	953,853	2019-12-10 13:55
90,834	42,374	54,061	74,307	1,234	1,127	26906,960	26153,851	8,938	14,234	6,373	6,642	54,853	9,562	953,848	2019-12-10 13:55
91,167	42,366	54,051	74,327	1,233	1,127	26931,355	26193,896	7,844	14,103	6,402	6,647	55,737	9,638	953,758	2019-12-10 13:55
91,500	42,338	54,056	74,354	1,233	1,128	26920,724	26255,558	7,670	13,770	6,790	6,627	54,659	9,545	953,759	2019-12-10 13:56
91,834	42,313	54,065	74,416	1,233	1,127	26882,703	26287,282	7,418	13,927	6,771	6,666	55,822	9,646	953,665	2019-12-10 13:56
92,167	42,294	54,081	74,391	1,232	1,128	26844,866	26270,634	7,174	13,647	6,853	6,677	54,713	9,549	953,665	2019-12-10 13:56
92,500	42,281	54,128	74,461	1,233	1,127	26875,223	26280,451	7,259	13,671	6,997	6,703	55,177	9,590	953,665	2019-12-10 13:57
92,833	42,280	54,154	74,497	1,233	1,127	26848,746	26294,096	7,591	13,877	6,839	6,749	55,313	9,602	953,571	2019-12-10 13:57
93,167	42,286	54,167	74,472	1,233	1,128	26912,010	26264,807	7,506	13,976	6,630	6,618	55,191	9,591	953,571	2019-12-10 13:57
93,500	42,275	54,179	74,500	1,233	1,128	26972,002	26274,172	7,827	13,715	6,829	6,596	54,091	9,495	953,478	2019-12-10 13:58
93,833	42,249	54,194	74,536	1,232	1,128	26970,471	26318,726	7,587	13,511	7,099	6,639	55,097	9,583	953,572	2019-12-10 13:58
94,167	42,226	54,199	74,567	1,232	1,126	27050,171	26305,485	7,417	13,635	7,078	6,594	55,376	9,607	953,478	2019-12-10 13:58
94,500	42,209	54,197	74,612	1,232	1,127	27035,656	26373,370	7,670	13,845	6,842	6,761	55,152	9,587	953,354	2019-12-10 13:59
94,833	42,200	54,204	74,596	1,232	1,128	27130,981	26365,094	8,162	14,043	6,586	6,598	55,094	9,582	953,355	2019-12-10 13:59
95,167	42,186	54,210	74,661	1,232	1,127	27107,028	26419,655	7,667	13,967	6,638	6,756	55,352	9,605	953,261	2019-12-10 13:59
95,500	42,182	54,211	74,755	1,233	1,126	27147,571	26534,034	7,254	13,801	6,777	6,592	55,202	9,592	953,261	2019-12-10 14:00
95,833	42,169	54,211	74,704	1,231	1,127	27106,958	26487,860	7,420	13,324	7,189	6,707	55,604	9,627	953,295	2019-12-10 14:00
96,167	42,159	54,213	74,700	1,231	1,126	27181,384	26455,728	7,339	12,804	7,727	6,699	55,427	9,611	953,167	2019-12-10 14:00
96,500	42,158	54,217	74,707	1,232	1,126	27056,188	26445,168	6,914	12,745	7,944	6,568	92,486	12,415	953,261	2019-12-10 14:01
96,834	42,151	54,252	74,704	1,230	1,125	27022,637	26383,061	6,664	13,238	7,541	6,567	107,611	13,392	953,167	2019-12-10 14:01
97,167	42,148	54,270	74,719	1,233	1,127	26952,979	26427,991	7,334	13,626	7,121	6,602	108,917	13,473	953,167	2019-12-10 14:01
97,500	42,149	54,307	74,731	1,231	1,128	27188,496	26417,728	7,256	14,122	6,607	6,745	109,582	13,514	953,073	2019-12-10 14:02

Pellematic 56_cat III_run 1_191210.Dat

Category: III

	301	302	304	305	306	308	317	1311	1312	1313	1314	1315	1316	1317	1318	1101	1102
Mättid	CO chimney	CO2 chimney	Pdyn	Pstat	Static pressure chimney	O2 chimney	Våg	Flue gas temp	Ambient	Flue gas at pitot	filter temp 1	filter temp 2	gas meter temp 1	gas meter temp 2	gasmeter temp ambient		T4 outlet load side
Minuter	VDC	VDC	VDC	VDC	VDC	VDC	VDC	°C	°C	°C	°C	°C	°C	°C	°C	°C	°C
97,834	0,202	0,767	2,735	0,164	0,017	0,214	1,249	97,941	19,868	26,197	30,572	23,234	20,242	20,296	20,483	20,285	61,292
98,167	0,202	0,758	2,728	0,168	0,019	0,222	1,248	97,897	19,883	26,179	27,509	26,821	20,234	20,288	20,478	20,283	61,234
98,500	0,201	0,757	2,732	0,166	0,023	0,223	1,248	97,935	19,904	26,228	26,894	22,587	20,231	20,286	20,482	20,282	61,290
98,834	0,202	0,763	2,732	0,166	0,017	0,217	1,248	97,960	19,893	26,204	25,649	22,479	20,241	20,293	20,483	20,283	61,323
99,167	0,202	0,771	2,740	0,165	0,018	0,209	1,247	97,960	19,913	26,176	28,371	25,186	20,226	20,288	20,471	20,279	61,202
99,500	0,202	0,781	2,738	0,162	0,014	0,202	1,246	97,988	19,918	26,184	26,486	25,261	20,238	20,278	20,475	20,278	61,208
99,833	0,201	0,781	2,736	0,166	0,008	0,202	1,246	97,968	19,896	26,156	24,928	22,955	20,229	20,287	20,475	20,281	61,405
100,167	0,201	0,762	2,732	0,169	0,011	0,220	1,244	97,975	19,888	26,149	24,820	24,330	20,239	20,292	20,476	20,283	61,177
100,500	0,201	0,768	2,742	0,166	0,010	0,213	1,245	97,996	19,882	26,224	23,576	23,256	20,233	20,299	20,486	20,281	61,281
100,833	0,202	0,775	2,738	0,165	0,007	0,207	1,244	98,024	19,902	26,156	25,824	26,125	20,231	20,295	20,485	20,281	61,343
101,167	0,201	0,767	2,739	0,164	0,017	0,215	1,243	98,013	19,905	26,126	26,452	25,818	20,232	20,285	20,476	20,283	61,218
101,500	0,201	0,759	2,740	0,166	0,012	0,221	1,243	98,013	19,896	26,110	24,674	24,713	20,229	20,293	20,482	20,283	61,316
101,833	0,201	0,752	2,737	0,165	0,019	0,228	1,242	98,057	19,913	26,178	28,746	27,976	20,248	20,295	20,486	20,289	61,288
102,167	0,201	0,737	2,741	0,166	0,022	0,241	1,242	98,022	19,898	26,166	26,446	25,125	20,228	20,285	20,480	20,284	61,291
102,500	0,201	0,733	2,736	0,163	0,013	0,243	1,241	97,950	19,884	26,163	24,508	38,718	20,233	20,286	20,476	20,286	61,397
102,833	0,201	0,743	2,736	0,165	0,009	0,234	1,240	97,930	19,860	26,228	28,787	20,419	20,239	20,293	20,472	20,287	61,349
103,167	0,202	0,766	2,733	0,164	0,018	0,214	1,240	97,971	19,889	26,210	80,368	-5085,234	20,222	20,292	20,478	20,287	61,381
103,500	0,202	0,770	2,736	0,164	0,018	0,211	1,239	97,995	19,913	26,123	11,915	34,640	20,220	20,303	20,482	20,286	61,346
103,834	0,201	0,770	2,740	0,165	0,016	0,211	1,239	98,013	19,915	26,167	10,820	8,998	20,240	20,291	20,481	20,288	61,411
104,167	0,201	0,769	2,738	0,165	0,014	0,213	1,239	98,019	19,908	26,167	15,848	0,062	20,233	20,292	20,491	20,292	61,359
104,500	0,201	0,766	2,734	0,166	0,010	0,215	1,238	98,023	19,893	26,181	19,707	9,127	20,245	20,298	20,479	20,293	61,326
104,834	0,201	0,774	2,737	0,162	0,015	0,208	1,237	98,014	19,910	26,204	28,177	16,725	20,243	20,290	20,476	20,295	61,363
105,167	0,201	0,762	2,741	0,162	0,015	0,219	1,237	98,008	19,917	26,197	28,675	20,483	20,237	20,297	20,476	20,292	61,412
105,500	0,201	0,749	2,739	0,167	0,011	0,231	1,236	98,009	19,906	26,198	26,419	21,183	20,229	20,287	20,481	20,292	61,341
105,834	0,201	0,735	2,741	0,166	0,017	0,242	1,235	97,995	19,923	26,075	30,171	26,341	20,236	20,290	20,490	20,293	61,172
106,167	0,201	0,725	2,737	0,166	0,016	0,251	1,235	97,978	19,932	26,173	27,079	22,114	20,241	20,295	20,484	20,293	61,275
106,500	0,201	0,734	2,737	0,168	0,011	0,243	1,232	97,961	19,922	26,160	35,311	5,095	20,239	20,298	20,493	20,293	61,267
106,833	0,201	0,738	2,737	0,164	0,015	0,239	1,381	97,924	19,914	26,134	-4982,615	126,706	20,232	20,301	20,476	20,292	61,333
107,167	0,202	0,736	2,743	0,161	0,015	0,240	1,447	97,910	19,929	26,232	40,165	41,948	20,231	20,293	20,488	20,292	61,310
107,500	0,202	0,752	2,736	0,166	0,020	0,227	1,449	97,915	19,976	26,226	17,137	8,719	20,238	20,300	20,482	20,293	61,318
107,833	0,202	0,760	2,735	0,166	0,014	0,220	1,508	97,943	19,955	26,214	21,684	-30,541	20,237	20,311	20,486	20,294	61,295
108,167	0,202	0,751	2,733	0,164	0,009	0,229	1,587	97,978	19,931	26,206	26,791	40,157	20,229	20,292	20,475	20,297	61,290
108,500	0,202	0,748	2,734	0,167	0,016	0,232	1,662	97,978	19,895	26,239	-4947,385	-4978,490	20,241	20,309	20,488	20,296	61,135
108,833	0,201	0,755	2,734	0,164	0,019	0,225	1,659	98,037	19,906	26,245	30,592	16,306	20,240	20,301	20,488	20,296	61,102
109,167	0,202	0,758	2,740	0,165	0,021	0,222	1,658	98,046	20,000	26,288	12,753	10,011	20,243	20,303	20,488	20,296	61,169
109,500	0,202	0,767	2,729	0,162	0,008	0,214	1,657	98,049	19,944	26,291	5,771	11,418	20,243	20,298	20,503	20,298	61,337
109,834	0,202	0,776	1,855	0,165	0,012	0,206	1,658	98,090	19,920	26,266	10,839	18,939	20,245	20,306	20,497	20,299	61,435

Pellematic 56_cat III_run 1_191210.Dat

Category: III

	1103	1108	1109	130	230	101	102	1	2	3	6	7	8	11	
Mättid	T3 inlet load side	T2 inlet boiler	T1 outlet boiler	Flow load side	Flow boiler side	Heat output load side	Heat output boiler	CO chimney	CO2 chimney	O2 chimney	Pstat	Pdyn	Tunnel velocity	Våg	Tidpunkt
Minuter	°C	°C	°C	m ³ /h	m ³ /h	W	W	ppm	%	%	Pa	Pa	m/s	kg	Klockan
97,834	42,154	54,297	74,708	1,230	1,127	27114,467	26366,193	7,000	14,141	6,416	6,579	109,345	13,500	953,074	2019-12-10 14:02
98,167	42,161	54,281	74,700	1,232	1,125	27057,371	26341,602	7,086	13,965	6,664	6,724	109,288	13,496	952,981	2019-12-10 14:02
98,500	42,160	54,301	74,741	1,230	1,125	27100,261	26371,975	7,027	13,975	6,690	6,636	109,351	13,500	952,980	2019-12-10 14:03
98,834	42,162	54,325	74,706	1,232	1,125	27191,870	26292,392	7,091	14,077	6,519	6,627	109,386	13,502	952,981	2019-12-10 14:03
99,167	42,156	54,314	74,758	1,231	1,125	27001,192	26368,352	7,085	14,318	6,283	6,592	109,713	13,522	952,855	2019-12-10 14:03
99,500	42,147	54,332	74,783	1,230	1,125	26993,111	26377,858	7,006	14,638	6,057	6,498	109,436	13,505	952,855	2019-12-10 14:04
99,833	42,144	54,366	74,837	1,230	1,126	27276,536	26417,158	6,585	14,445	6,075	6,643	109,425	13,505	952,855	2019-12-10 14:04
100,167	42,145	54,358	74,898	1,231	1,125	26975,188	26490,003	6,920	13,945	6,590	6,762	109,358	13,500	952,761	2019-12-10 14:04
100,500	42,144	54,373	74,903	1,231	1,124	27127,862	26461,179	6,675	14,264	6,394	6,630	109,651	13,519	952,855	2019-12-10 14:05
100,833	42,138	54,389	74,944	1,232	1,125	27236,312	26520,281	6,840	14,422	6,220	6,613	109,589	13,515	952,761	2019-12-10 14:05
101,167	42,136	54,405	74,973	1,231	1,125	27048,185	26524,158	6,664	14,116	6,445	6,563	109,622	13,517	952,667	2019-12-10 14:05
101,500	42,133	54,428	75,007	1,231	1,125	27183,600	26538,932	6,505	13,957	6,634	6,644	109,578	13,514	952,667	2019-12-10 14:06
101,833	42,132	54,443	74,976	1,233	1,125	27186,423	26491,233	6,454	13,742	6,851	6,587	109,429	13,505	952,667	2019-12-10 14:06
102,167	42,127	54,452	74,947	1,230	1,126	27152,156	26453,467	6,583	13,305	7,231	6,641	109,660	13,519	952,621	2019-12-10 14:06
102,500	42,123	54,470	75,080	1,231	1,125	27312,896	26572,309	6,500	13,448	7,302	6,533	109,536	13,511	952,574	2019-12-10 14:07
102,833	42,123	54,478	75,064	1,231	1,126	27245,723	26582,248	6,899	13,661	7,029	6,616	109,356	13,500	952,480	2019-12-10 14:07
103,167	42,153	54,498	75,111	1,232	1,126	27271,683	26598,884	7,081	14,146	6,428	6,576	109,285	13,496	952,481	2019-12-10 14:07
103,500	42,182	54,500	75,071	1,232	1,126	27195,587	26544,425	6,836	14,275	6,333	6,577	109,311	13,498	952,403	2019-12-10 14:08
103,834	42,212	54,517	75,146	1,232	1,126	27236,651	26631,347	6,917	14,319	6,330	6,600	109,587	13,515	952,356	2019-12-10 14:08
104,167	42,226	54,542	75,136	1,232	1,125	27139,899	26550,973	6,580	14,104	6,379	6,595	109,549	13,512	952,480	2019-12-10 14:08
104,500	42,239	54,574	75,180	1,233	1,126	27093,283	26587,344	6,580	14,175	6,444	6,634	109,370	13,501	952,356	2019-12-10 14:09
104,834	42,243	54,639	75,219	1,232	1,126	27121,972	26574,688	6,412	14,294	6,243	6,499	109,576	13,514	952,261	2019-12-10 14:09
105,167	42,254	54,681	75,185	1,233	1,126	27188,441	26475,223	6,323	14,032	6,582	6,485	109,606	13,516	952,356	2019-12-10 14:09
105,500	42,274	54,709	75,250	1,232	1,126	27045,213	26505,465	6,080	13,596	6,940	6,696	109,514	13,510	952,262	2019-12-10 14:10
105,834	42,293	54,747	75,271	1,232	1,126	26778,333	26497,548	5,659	13,299	7,269	6,637	109,717	13,523	952,168	2019-12-10 14:10
106,167	42,303	54,823	75,226	1,232	1,127	26913,156	26359,455	5,485	13,123	7,540	6,657	109,398	13,503	952,167	2019-12-10 14:10
106,500	42,312	54,884	75,308	1,232	1,125	26893,213	26345,707	6,264	13,515	7,301	6,711	109,523	13,511	951,874	2019-12-10 14:11
106,833	42,336	54,915	75,284	1,232	1,125	26949,726	26255,586	6,737	13,326	7,181	6,554	109,447	13,506	964,477	2019-12-10 14:11
107,167	42,366	54,930	75,286	1,233	1,126	26887,263	26262,816	7,417	13,455	7,204	6,430	109,654	13,519	965,572	2019-12-10 14:11
107,500	42,384	54,947	75,281	1,232	1,127	26857,524	26258,818	7,081	13,874	6,803	6,633	109,438	13,505	965,572	2019-12-10 14:12
107,833	42,400	54,981	75,309	1,233	1,124	26812,367	26198,801	7,249	14,107	6,603	6,621	109,408	13,504	972,979	2019-12-10 14:12
108,167	42,425	55,001	75,343	1,233	1,124	26779,541	26212,502	7,081	13,730	6,861	6,562	109,293	13,496	976,575	2019-12-10 14:12
108,500	42,444	55,036	75,415	1,231	1,124	26492,670	26251,515	6,828	13,631	6,964	6,698	109,230	13,493	978,666	2019-12-10 14:13
108,833	42,454	55,120	75,405	1,232	1,123	26441,528	26111,972	6,494	13,976	6,761	6,555	109,354	13,500	978,667	2019-12-10 14:13
109,167	42,463	55,183	75,415	1,233	1,125	26553,105	26079,336	7,500	14,003	6,672	6,612	109,531	13,511	978,666	2019-12-10 14:13
109,500	42,481	55,227	75,454	1,233	1,123	26759,771	26032,992	7,324	14,294	6,419	6,479	109,040	13,481	978,572	2019-12-10 14:14
109,834	42,498	55,240	75,489	1,231	1,123	26847,790	26065,706	7,698	14,447	6,169	6,596	63,676	10,302	978,666	2019-12-10 14:14

Pellematic 56_cat III_run 1_191210.Dat

Category: III

	301	302	304	305	306	308	317	1311	1312	1313	1314	1315	1316	1317	1318	1101	1102
Mättid	CO chimney	CO2 chimney	Pdyn	Pstat	Static pressure chimney	O2 chimney	Våg	Flue gas temp	Ambient	Flue gas at pitot	filter temp 1	filter temp 2	gas meter temp 1	gas meter temp 2	gasmeter temp ambient		T4 outlet load side
Minuter	VDC	VDC	VDC	VDC	VDC	VDC	VDC	°C	°C	°C	°C	°C	°C	°C	°C	°C	°C
110,167	0,202	0,779	1,410	0,164	0,015	0,203	1,657	98,127	19,891	26,262	20,308	14,598	20,244	20,306	20,494	20,299	61,394
110,500	0,202	0,768	1,373	0,162	0,016	0,213	1,655	98,147	19,874	26,266	20,335	9,187	20,247	20,304	20,497	20,299	61,273
110,834	0,202	0,777	1,365	0,166	0,014	0,205	1,656	98,178	19,905	26,223	20,327	-4901,420	20,248	20,304	20,505	20,305	61,232
111,167	0,203	0,782	1,353	0,163	0,015	0,201	1,655	98,207	19,925	26,370	20,338	-9999,000	20,249	20,300	20,503	20,303	61,279
111,500	0,203	0,786	1,335	0,164	0,013	0,198	1,654	98,240	19,920	26,427	20,345	-5033,591	20,252	20,307	20,504	20,301	61,316
111,834	0,203	0,774	1,328	0,162	0,018	0,209	1,654	98,265	19,804	26,458	20,347	-84,951	20,257	20,302	20,485	20,299	61,289
112,167	0,203	0,775	1,326	0,163	0,017	0,206	1,653	98,272	19,743	26,402	20,372	-10,449	20,254	20,301	20,503	20,303	61,304
112,500	0,203	0,783	1,332	0,166	0,015	0,200	1,652	98,303	19,820	26,268	20,379	14,308	20,255	20,309	20,514	20,304	61,136
112,833	0,203	0,760	1,304	0,167	0,009	0,221	1,652	98,314	19,670	26,246	20,383	20,281	20,265	20,319	20,505	20,307	61,375
113,167	0,203	0,736	1,325	0,165	0,018	0,244	1,651	98,322	19,567	26,309	20,381	20,291	20,262	20,316	20,498	20,301	61,250
113,500	0,202	0,742	1,327	0,166	0,019	0,237	1,650	98,290	19,683	26,259	20,387	20,281	20,263	20,315	20,503	20,304	61,245
113,833	0,202	0,739	1,329	0,166	0,021	0,240	1,651	98,268	19,765	26,213	20,378	20,300	20,268	20,321	20,515	20,303	61,116
114,167	0,202	0,727	1,327	0,165	0,018	0,250	1,649	98,264	19,827	26,206	20,394	20,300	20,260	20,318	20,508	20,303	61,261
114,500	0,203	0,726	1,335	0,160	0,010	0,250	1,649	98,254	19,839	26,158	20,394	20,294	20,264	20,315	20,512	20,302	61,127
114,833	0,202	0,736	1,336	0,165	0,012	0,241	1,648	98,227	19,855	26,237	20,389	20,278	20,268	20,312	20,502	20,303	61,043
115,167	0,202	0,732	1,341	0,166	0,009	0,245	1,648	98,229	19,886	26,215	20,379	20,282	20,264	20,324	20,503	20,303	61,360
115,500	0,202	0,734	1,321	0,166	0,009	0,243	1,648	98,234	19,941	26,193	20,396	20,284	20,253	20,321	20,501	20,303	61,143
115,833	0,202	0,734	1,333	0,166	0,016	0,244	1,646	98,241	19,907	26,198	20,384	20,276	20,257	20,311	20,497	20,301	61,159
116,167	0,202	0,717	1,346	0,167	0,015	0,259	1,646	98,257	19,926	26,182	20,382	20,255	20,262	20,309	20,505	20,303	61,152
116,500	0,201	0,709	1,323	0,167	0,025	0,266	1,646	98,297	19,927	26,203	20,392	20,261	20,266	20,310	20,499	20,303	61,011
116,834	0,201	0,714	1,330	0,163	0,015	0,260	1,646	98,319	19,911	26,223	20,395	20,257	20,264	20,311	20,507	20,301	61,045
117,167	0,201	0,720	1,333	0,168	0,015	0,257	1,644	98,310	19,920	26,201	20,389	20,264	20,270	20,317	20,507	20,304	61,159
117,500	0,201	0,711	1,322	0,165	0,017	0,263	1,644	98,355	19,937	26,240	20,389	20,255	20,268	20,325	20,503	20,303	61,112
117,834	0,201	0,699	1,322	0,168	0,022	0,274	1,644	98,352	19,934	26,243	20,393	20,247	20,275	20,323	20,504	20,304	61,151
118,167	0,201	0,703	1,342	0,165	0,007	0,273	1,643	98,321	19,897	26,239	20,398	20,242	20,272	20,328	20,507	20,307	61,271
118,500	0,201	0,698	1,323	0,168	0,012	0,276	1,643	98,299	19,881	26,266	20,397	20,248	20,270	20,323	20,508	20,308	61,285
118,834	0,201	0,698	1,328	0,168	0,015	0,274	1,643	98,298	19,937	26,272	20,397	20,247	20,278	20,334	20,508	20,309	61,242
119,167	0,201	0,705	1,320	0,169	0,022	0,268	1,643	98,301	19,924	26,298	20,408	20,236	20,281	20,330	20,512	20,311	61,222
119,500	0,201	0,688	1,331	0,166	0,022	0,284	1,641	98,277	19,920	26,216	20,417	20,220	20,278	20,329	20,513	20,311	61,180
119,833	0,201	0,674	1,325	0,168	0,023	0,297	1,641	98,289	19,880	26,228	20,397	20,221	20,269	20,329	20,512	20,309	61,285
120,167	0,201	0,684	1,328	0,170	0,012	0,286	1,641	98,228	19,779	26,241	20,410	20,207	20,275	20,329	20,511	20,310	61,239
120,500	0,201	0,691	1,336	0,165	0,022	0,280	1,640	98,182	19,873	26,223	20,405	20,201	20,281	20,323	20,522	20,311	61,207
120,833	0,201	0,697	1,330	0,167	0,023	0,275	1,640	98,166	19,891	26,195	20,413	20,220	20,276	20,321	20,512	20,312	61,276
121,167	0,201	0,700	1,334	0,167	0,014	0,273	1,640	98,143	19,898	26,174	20,405	20,207	20,269	20,329	20,513	20,310	61,183
121,500	0,201	0,708	1,322	0,168	0,019	0,266	1,639	98,138	19,907	26,213	20,415	20,204	20,276	20,326	20,505	20,307	61,129
121,833	0,201	0,721	1,326	0,168	0,018	0,254	1,639	98,163	19,920	26,241	20,420	20,206	20,291	20,323	20,523	20,312	61,171
122,167	0,201	0,738	1,344	0,170	0,010	0,240	1,638	98,232	19,915	26,228	20,418	20,191	20,277	20,333	20,517	20,311	61,137

Pellematic 56_cat III_run 1_191210.Dat

Category: III

	1103	1108	1109	130	230	101	102	1	2	3	6	7	8	11	
Mättid	T3 inlet load side	T2 inlet boiler	T1 outlet boiler	Flow load side	Flow boiler side	Heat output load side	Heat output boiler	CO chimney	CO2 chimney	O2 chimney	Pstat	Pdyn	Tunnel velocity	Våg	Tidpunkt
Minuter	°C	°C	°C	m ³ /h	m ³ /h	W	W	ppm	%	%	Pa	Pa	m/s	kg	Klockan
110,167	42,524	55,241	75,558	1,231	1,123	26738,022	26161,174	8,433	14,409	6,100	6,545	55,627	9,629	978,493	2019-12-10 14:14
110,500	42,546	55,255	75,577	1,232	1,122	26560,534	26134,219	8,679	14,188	6,388	6,492	54,716	9,550	978,355	2019-12-10 14:15
110,834	42,564	55,298	75,568	1,232	1,125	26478,619	26125,853	9,341	14,494	6,156	6,638	54,415	9,523	978,481	2019-12-10 14:15
111,167	42,576	55,362	75,687	1,232	1,123	26529,759	26160,115	9,602	14,510	6,026	6,506	54,149	9,500	978,355	2019-12-10 14:15
111,500	42,576	55,411	75,689	1,230	1,123	26544,200	26088,958	10,194	14,669	5,928	6,543	53,075	9,405	978,355	2019-12-10 14:16
111,834	42,558	55,448	75,776	1,231	1,124	26554,701	26190,673	10,141	14,335	6,256	6,465	53,419	9,436	978,354	2019-12-10 14:16
112,167	42,493	55,492	75,825	1,229	1,124	26625,473	26195,414	10,939	14,372	6,195	6,510	52,762	9,377	978,260	2019-12-10 14:16
112,500	42,382	55,568	75,766	1,230	1,124	26549,254	26009,583	10,867	14,501	6,012	6,624	53,341	9,429	978,260	2019-12-10 14:17
112,833	42,256	55,589	75,871	1,229	1,123	27064,211	26111,127	10,101	13,733	6,645	6,667	52,077	9,316	978,259	2019-12-10 14:17
113,167	42,112	55,573	75,953	1,230	1,123	27113,722	26232,232	9,853	13,368	7,309	6,585	53,138	9,411	978,166	2019-12-10 14:17
113,500	41,982	55,525	75,930	1,229	1,123	27269,338	26253,892	8,932	13,563	7,109	6,655	52,950	9,394	978,113	2019-12-10 14:18
113,833	41,887	55,469	75,955	1,231	1,124	27250,508	26393,946	8,518	13,424	7,209	6,654	52,962	9,395	978,166	2019-12-10 14:18
114,167	41,816	55,421	75,982	1,230	1,119	27549,200	26364,351	9,011	13,202	7,502	6,581	53,087	9,406	978,072	2019-12-10 14:18
114,500	41,775	55,345	75,985	1,229	1,095	27380,965	25904,701	9,514	13,188	7,492	6,384	53,552	9,447	978,072	2019-12-10 14:19
114,833	41,749	55,173	76,055	1,230	1,073	27324,465	25674,301	9,014	13,382	7,235	6,599	53,354	9,430	977,980	2019-12-10 14:19
115,167	41,668	54,888	76,096	1,228	1,072	27843,115	26061,955	8,673	13,259	7,357	6,630	53,457	9,439	977,981	2019-12-10 14:19
115,500	41,513	54,686	76,224	1,229	1,072	27787,937	26478,184	8,166	13,500	7,295	6,642	52,485	9,353	977,979	2019-12-10 14:20
115,833	41,350	54,550	76,194	1,229	1,074	28038,640	26640,389	7,748	13,183	7,325	6,622	53,218	9,418	977,853	2019-12-10 14:20
116,167	41,250	54,393	76,234	1,229	1,073	28181,812	26874,463	7,084	12,773	7,768	6,693	53,823	9,471	977,854	2019-12-10 14:20
116,500	41,222	54,264	76,300	1,228	1,072	27994,493	27098,829	6,412	12,747	7,972	6,677	52,543	9,358	977,854	2019-12-10 14:21
116,834	41,227	54,171	76,264	1,228	1,071	28033,482	27138,234	6,239	12,937	7,810	6,531	53,167	9,413	977,854	2019-12-10 14:21
117,167	41,237	54,112	76,279	1,229	1,072	28201,775	27255,287	5,740	12,873	7,697	6,704	53,336	9,428	977,759	2019-12-10 14:21
117,500	41,223	54,087	76,329	1,228	1,071	28123,225	27316,324	5,237	12,762	7,893	6,606	52,952	9,394	977,759	2019-12-10 14:22
117,834	41,214	54,079	76,269	1,228	1,071	28194,078	27242,104	5,319	12,428	8,227	6,722	52,997	9,398	977,759	2019-12-10 14:22
118,167	41,251	54,077	76,288	1,229	1,072	28340,555	27306,593	4,978	12,598	8,183	6,617	53,828	9,472	977,666	2019-12-10 14:22
118,500	41,327	54,008	76,178	1,229	1,071	28243,480	27234,191	5,066	12,370	8,267	6,725	53,054	9,403	977,759	2019-12-10 14:23
118,834	41,411	53,963	76,228	1,229	1,073	28062,308	27402,030	5,401	12,505	8,219	6,726	52,692	9,371	977,666	2019-12-10 14:23
119,167	41,487	53,972	76,244	1,228	1,071	27909,070	27358,922	6,817	12,589	8,050	6,772	53,063	9,404	977,666	2019-12-10 14:23
119,500	41,557	53,989	76,109	1,230	1,073	27803,855	27222,261	6,198	11,982	8,510	6,643	53,098	9,407	977,580	2019-12-10 14:24
119,833	41,598	54,016	76,097	1,229	1,072	27876,443	27139,060	5,319	11,895	8,904	6,702	53,178	9,414	977,572	2019-12-10 14:24
120,167	41,582	54,043	76,008	1,228	1,071	27804,090	26969,653	5,328	12,146	8,593	6,797	53,315	9,427	977,572	2019-12-10 14:24
120,500	41,513	54,058	75,917	1,229	1,072	27867,867	26863,685	5,816	12,334	8,398	6,603	53,155	9,412	977,572	2019-12-10 14:25
120,833	41,456	54,053	75,885	1,228	1,070	28035,827	26797,232	6,061	12,456	8,238	6,687	53,168	9,413	977,481	2019-12-10 14:25
121,167	41,456	54,015	75,862	1,228	1,070	27904,080	26806,452	5,412	12,547	8,183	6,689	53,346	9,429	977,482	2019-12-10 14:25
121,500	41,497	53,967	75,790	1,229	1,070	27780,450	26781,140	5,574	12,774	7,981	6,716	53,062	9,404	977,356	2019-12-10 14:26
121,833	41,487	53,933	75,789	1,228	1,070	27843,303	26828,196	5,735	13,176	7,620	6,726	53,201	9,416	977,480	2019-12-10 14:26
122,167	41,416	53,904	75,678	1,227	1,071	27873,540	26740,515	4,810	13,455	7,186	6,788	53,875	9,476	977,357	2019-12-10 14:26

Pellematic 56_cat III_run 1_191210.Dat

Category: III

	301	302	304	305	306	308	317	1311	1312	1313	1314	1315	1316	1317	1318	1101	1102
Mättid	CO chimney	CO2 chimney	Pdyn	Pstat	Static pressure chimney	O2 chimney	Våg	Flue gas temp	Ambient	Flue gas at pitot	filter temp 1	filter temp 2	gas meter temp 1	gas meter temp 2	gasmeter temp ambient		T4 outlet load side
Minuter	VDC	VDC	VDC	VDC	VDC	VDC	VDC	°C	°C	°C	°C	°C	°C	°C	°C	°C	°C
122,500	0,201	0,738	1,346	0,167	0,016	0,240	1,638	98,201	19,915	26,226	20,410	20,183	20,274	20,330	20,513	20,310	61,030
122,833	0,201	0,738	1,337	0,167	0,019	0,240	1,636	98,206	19,915	26,224	20,417	20,178	20,282	20,325	20,519	20,313	61,173
123,167	0,201	0,727	1,326	0,167	0,015	0,250	1,636	98,186	19,939	26,208	20,410	20,180	20,278	20,332	20,513	20,313	61,198
123,500	0,201	0,721	1,328	0,164	0,017	0,254	1,636	98,212	19,944	26,220	20,619	20,177	20,266	20,330	20,522	20,312	61,162
123,834	0,201	0,725	1,330	0,166	0,019	0,251	1,636	98,200	19,934	26,162	21,007	20,192	20,252	20,319	20,519	20,315	61,128
124,167	0,201	0,725	1,325	0,167	0,023	0,251	1,635	98,161	19,949	26,198	21,159	20,215	20,254	20,314	20,523	20,314	61,171
124,500	0,202	0,731	1,335	0,166	0,014	0,246	1,635	98,156	19,943	26,180	21,257	20,218	20,249	20,314	20,519	20,313	61,101
124,834	0,201	0,723	1,332	0,166	0,019	0,253	1,635	98,161	19,955	26,217	21,346	20,210	20,261	20,317	20,523	20,315	61,122
125,167	0,201	0,724	1,344	0,165	0,016	0,252	1,633	98,166	19,938	26,232	21,403	20,212	20,242	20,316	20,543	20,313	61,226
125,500	0,201	0,723	1,328	0,165	0,022	0,253	1,633	98,128	19,934	26,215	21,454	20,233	20,242	20,315	20,528	20,314	61,237
125,834	0,201	0,715	1,321	0,168	0,014	0,259	1,633	98,092	19,907	26,222	21,501	20,276	20,242	20,304	20,540	20,315	61,208
126,167	0,202	0,721	1,323	0,165	0,019	0,254	1,632	98,072	19,860	26,179	21,525	20,297	20,248	20,287	20,535	20,312	61,195
126,500	0,202	0,736	1,327	0,164	0,023	0,242	1,632	98,087	19,805	26,273	21,557	20,457	20,240	20,290	20,553	20,313	61,295
126,833	0,202	0,729	1,346	0,166	0,020	0,248	1,632	98,066	19,845	26,126	21,581	20,534	20,242	20,301	20,566	20,315	61,209
127,167	0,201	0,729	1,335	0,166	0,015	0,248	1,630	98,078	19,845	26,176	21,607	20,606	20,233	20,297	20,572	20,313	61,327
127,500	0,201	0,723	1,334	0,168	0,018	0,253	1,632	98,074	19,868	26,106	21,629	20,712	20,225	20,303	20,595	20,315	61,278
127,833	0,201	0,717	1,331	0,165	0,010	0,257	1,629	98,091	19,895	26,159	21,661	20,777	20,240	20,306	20,613	20,319	61,287
128,167	0,201	0,726	1,336	0,161	0,012	0,250	1,629	98,019	19,898	26,186	21,609	20,795	20,234	20,297	20,633	20,313	61,323
128,500	0,201	0,723	1,344	0,162	0,012	0,253	1,628	97,979	19,913	26,245	21,578	20,825	20,250	20,297	20,649	20,315	61,273
128,833	0,201	0,740	1,341	0,163	0,015	0,237	1,628	97,945	19,920	26,234	21,661	20,863	20,246	20,295	20,670	20,315	61,301
129,167	0,201	0,750	1,338	0,163	0,014	0,228	1,628	97,934	19,921	26,178	21,715	20,884	20,256	20,316	20,684	20,319	61,299
129,500	0,201	0,741	1,332	0,166	0,023	0,236	1,627	97,885	19,885	26,254	21,768	20,914	20,239	20,305	20,715	20,316	61,288
129,833	0,201	0,746	1,338	0,166	0,015	0,232	1,627	97,884	19,921	26,162	21,787	20,938	20,244	20,301	20,739	20,319	61,306
130,167	0,200	0,747	1,346	0,160	0,015	0,232	1,626	97,883	19,919	26,216	21,803	20,951	20,241	20,305	20,760	20,315	61,381
130,500	0,201	0,748	1,335	0,160	0,013	0,230	1,625	97,846	19,929	26,267	21,826	20,963	20,239	20,296	20,793	20,315	61,322
130,834	0,201	0,743	1,337	0,164	0,014	0,236	1,625	97,851	19,948	26,207	21,851	20,987	20,227	20,305	20,824	20,317	61,250
131,167	0,200	0,738	1,337	0,167	0,020	0,241	1,624	97,855	19,932	26,133	21,851	21,009	20,232	20,307	20,859	20,317	61,290
131,500	0,200	0,739	1,340	0,165	0,020	0,240	1,624	97,876	19,919	26,207	21,873	21,016	20,236	20,303	20,889	20,317	61,291
131,834	0,201	0,742	1,343	0,167	0,016	0,237	1,624	97,877	19,918	26,151	21,884	21,046	20,233	20,305	20,923	20,319	61,273
132,167	0,200	0,735	1,344	0,165	0,018	0,244	1,622	97,901	19,924	26,111	21,880	21,053	20,227	20,311	20,965	20,317	61,300
132,500	0,200	0,720	1,341	0,165	0,016	0,257	1,623	97,920	19,936	26,137	21,888	21,050	20,229	20,314	21,006	20,317	61,317
132,834	0,200	0,727	1,325	0,168	0,012	0,250	1,623	97,892	19,943	26,140	21,905	21,085	20,232	20,306	21,042	20,321	61,267
133,167	0,200	0,720	1,334	0,161	0,014	0,256	1,622	97,884	19,883	26,173	21,927	21,089	20,228	20,310	21,078	20,316	61,270
133,500	0,200	0,719	1,350	0,165	0,019	0,256	1,620	97,886	19,893	26,179	21,931	21,102	20,226	20,318	21,126	20,321	61,251
133,833	0,200	0,717	1,351	0,165	0,010	0,258	1,620	97,840	19,909	26,148	21,952	21,116	20,222	20,315	21,169	20,318	61,370
134,167	0,200	0,707	1,346	0,168	0,013	0,268	1,619	97,802	19,802	26,206	21,961	21,117	20,224	20,331	21,220	20,322	61,309
134,500	0,200	0,711	1,321	0,165	0,012	0,264	1,619	97,795	19,746	26,238	21,963	21,135	20,224	20,325	21,263	20,317	61,359

Pellematic 56_cat III_run 1_191210.Dat

Category: III

	1103	1108	1109	130	230	101	102	1	2	3	6	7	8	11	
Mättid	T3 inlet load side	T2 inlet boiler	T1 outlet boiler	Flow load side	Flow boiler side	Heat output load side	Heat output boiler	CO chimney	CO2 chimney	O2 chimney	Pstat	Pdyn	Tunnel velocity	Våg	Tidpunkt
Minuter	°C	°C	°C	m³/h	m³/h	W	W	ppm	%	%	Pa	Pa	m/s	kg	Klockan
122,500	41,352	53,865	75,727	1,228	1,071	27827,330	26864,507	5,064	13,513	7,195	6,669	54,006	9,487	977,357	2019-12-10 14:27
122,833	41,348	53,820	75,581	1,227	1,070	28024,584	26702,007	6,422	13,308	7,201	6,688	53,489	9,442	977,261	2019-12-10 14:27
123,167	41,402	53,718	75,555	1,228	1,070	27991,872	26799,118	6,660	13,146	7,502	6,699	53,188	9,415	977,261	2019-12-10 14:27
123,500	41,463	53,623	75,521	1,228	1,071	27863,169	26903,985	6,494	13,076	7,630	6,562	53,116	9,409	977,261	2019-12-10 14:28
123,834	41,491	53,589	75,454	1,228	1,071	27776,297	26859,501	6,337	13,118	7,527	6,631	53,121	9,409	977,262	2019-12-10 14:28
124,167	41,504	53,581	75,478	1,229	1,070	27828,165	26864,597	6,333	13,096	7,538	6,670	53,347	9,429	977,167	2019-12-10 14:28
124,500	41,543	53,578	75,450	1,228	1,070	27659,258	26850,711	6,917	13,328	7,393	6,636	53,382	9,432	977,167	2019-12-10 14:29
124,834	41,598	53,580	75,460	1,228	1,070	27601,022	26854,136	6,740	12,995	7,599	6,639	52,965	9,395	977,168	2019-12-10 14:29
125,167	41,628	53,583	75,400	1,228	1,070	27719,519	26763,542	6,400	13,127	7,568	6,592	54,020	9,489	977,074	2019-12-10 14:29
125,500	41,644	53,578	75,418	1,228	1,071	27703,588	26816,928	5,323	13,015	7,599	6,618	52,859	9,386	977,074	2019-12-10 14:30
125,834	41,708	53,539	75,340	1,229	1,070	27598,290	26751,179	6,497	12,874	7,783	6,706	52,864	9,386	977,073	2019-12-10 14:30
126,167	41,812	53,517	75,324	1,228	1,070	27414,668	26757,565	8,097	13,090	7,624	6,600	52,827	9,383	976,982	2019-12-10 14:30
126,500	41,906	53,518	75,263	1,229	1,071	27439,929	26718,990	8,006	13,433	7,245	6,549	53,161	9,413	976,982	2019-12-10 14:31
126,833	41,998	53,559	75,269	1,229	1,070	27189,535	26640,338	6,575	13,189	7,433	6,647	53,696	9,460	976,983	2019-12-10 14:31
127,167	42,111	53,587	75,153	1,229	1,070	27193,502	26461,980	5,819	13,219	7,446	6,648	53,513	9,444	976,856	2019-12-10 14:31
127,500	42,208	53,634	75,115	1,228	1,070	26969,993	26353,649	5,321	12,998	7,591	6,720	53,202	9,416	976,982	2019-12-10 14:32
127,833	42,238	53,683	75,159	1,229	1,069	26958,973	26336,583	5,416	12,969	7,721	6,581	53,428	9,436	976,761	2019-12-10 14:32
128,167	42,221	53,732	75,144	1,229	1,070	27028,614	26273,966	5,280	13,111	7,497	6,456	53,544	9,447	976,761	2019-12-10 14:32
128,500	42,212	53,763	75,154	1,230	1,069	26986,322	26231,194	4,986	13,158	7,588	6,498	53,689	9,459	976,761	2019-12-10 14:33
128,833	42,275	53,765	75,051	1,229	1,069	26912,401	26100,624	4,733	13,567	7,121	6,539	53,675	9,458	976,761	2019-12-10 14:33
129,167	42,380	53,754	75,071	1,230	1,069	26780,489	26141,513	4,899	13,806	6,845	6,511	53,534	9,446	976,761	2019-12-10 14:33
129,500	42,466	53,769	75,024	1,228	1,068	26613,089	26022,200	4,733	13,512	7,074	6,647	53,332	9,428	976,667	2019-12-10 14:34
129,833	42,517	53,803	75,076	1,230	1,072	26602,061	26140,488	4,646	13,593	6,954	6,630	53,644	9,455	976,667	2019-12-10 14:34
130,167	42,566	53,854	75,037	1,229	1,070	26622,362	25985,719	4,472	13,615	6,959	6,398	53,761	9,466	976,668	2019-12-10 14:34
130,500	42,580	53,888	75,057	1,230	1,070	26528,940	25969,172	4,763	13,735	6,913	6,403	53,430	9,437	976,574	2019-12-10 14:35
130,834	42,556	53,928	75,099	1,228	1,068	26435,375	25938,466	5,063	13,561	7,073	6,543	53,798	9,469	976,573	2019-12-10 14:35
131,167	42,554	53,968	75,103	1,230	1,069	26534,906	25903,380	4,474	13,390	7,219	6,661	53,470	9,440	976,483	2019-12-10 14:35
131,500	42,626	53,995	75,061	1,230	1,071	26426,337	25875,029	4,137	13,504	7,190	6,597	53,723	9,462	976,483	2019-12-10 14:36
131,834	42,708	54,021	75,053	1,229	1,070	26274,803	25808,508	4,475	13,572	7,114	6,690	53,798	9,469	976,483	2019-12-10 14:36
132,167	42,802	54,061	75,119	1,228	1,069	26142,236	25810,413	4,057	13,242	7,306	6,601	53,853	9,474	976,357	2019-12-10 14:36
132,500	42,880	54,111	75,130	1,230	1,071	26094,382	25811,495	4,148	12,946	7,707	6,589	53,655	9,456	976,357	2019-12-10 14:37
132,834	42,902	54,180	75,144	1,230	1,070	25998,555	25731,970	3,977	13,204	7,495	6,716	52,703	9,372	976,357	2019-12-10 14:37
133,167	42,870	54,276	75,125	1,229	1,070	26039,856	25582,927	4,059	12,900	7,667	6,457	53,589	9,451	976,357	2019-12-10 14:37
133,500	42,856	54,340	75,153	1,230	1,070	26051,279	25541,177	3,972	13,049	7,676	6,618	54,109	9,496	976,262	2019-12-10 14:38
133,833	42,888	54,372	75,205	1,230	1,070	26175,437	25555,114	4,479	12,911	7,734	6,596	54,097	9,495	976,262	2019-12-10 14:38
134,167	42,928	54,387	75,140	1,229	1,071	26006,018	25480,695	4,479	12,657	8,027	6,720	53,756	9,465	976,168	2019-12-10 14:38
134,500	42,964	54,405	75,130	1,230	1,070	26050,697	25414,366	4,146	12,737	7,933	6,595	52,960	9,395	976,168	2019-12-10 14:39

Pellematic 56_cat III_run 1_191210.Dat

Category: III

	301	302	304	305	306	308	317	1311	1312	1313	1314	1315	1316	1317	1318	1101	1102
Mättid	CO chimney	CO2 chimney	Pdyn	Pstat	Static pressure chimney	O2 chimney	Våg	Flue gas temp	Ambient	Flue gas at pitot	filter temp 1	filter temp 2	gas meter temp 1	gas meter temp 2	gasmeter temp ambient		T4 outlet load side
Minuter	VDC	VDC	VDC	VDC	VDC	VDC	VDC	°C	°C	°C	°C	°C	°C	°C	°C	°C	°C
134,833	0,200	0,709	1,329	0,164	0,014	0,266	1,619	97,765	19,821	26,232	21,972	21,145	20,224	20,308	21,295	20,319	61,346
135,167	0,200	0,705	1,339	0,166	0,023	0,269	1,618	97,718	19,828	26,145	21,985	21,180	20,213	20,322	21,342	20,319	61,370
135,500	0,200	0,700	1,342	0,164	0,017	0,273	1,618	97,689	19,843	26,147	21,993	21,182	20,216	20,320	21,394	20,319	61,387
135,833	0,200	0,712	1,324	0,167	0,021	0,262	1,617	97,702	19,855	26,205	22,004	21,181	20,215	20,320	21,435	20,317	61,244
136,167	0,200	0,724	1,329	0,169	0,019	0,251	1,617	97,734	19,885	26,223	22,010	21,204	20,218	20,324	21,490	20,318	61,228
136,500	0,200	0,717	1,309	0,166	0,010	0,259	1,616	97,711	19,871	26,084	22,017	21,216	20,220	20,318	21,535	20,319	61,235
136,833	0,200	0,704	1,324	0,166	0,020	0,269	1,616	97,724	19,889	26,156	22,021	21,222	20,216	20,328	21,590	20,318	61,231
137,167	0,200	0,701	1,331	0,165	0,016	0,272	1,616	97,698	19,842	26,204	22,027	21,227	20,218	20,334	21,643	20,317	61,159
137,500	0,200	0,693	1,323	0,164	0,011	0,279	1,614	97,686	19,842	26,163	22,040	21,252	20,214	20,333	21,689	20,321	61,239
137,834	0,200	0,684	1,330	0,166	0,013	0,285	1,614	97,673	19,836	26,148	22,048	21,239	20,209	20,336	21,745	20,319	61,123
138,167	0,201	0,693	1,331	0,167	0,012	0,279	1,613	97,632	19,821	26,132	22,045	21,249	20,204	20,330	21,781	20,317	61,189
138,500	0,201	0,699	1,323	0,166	0,009	0,274	1,612	97,609	19,843	26,173	22,056	21,258	20,213	20,332	21,839	20,321	61,071
138,834	0,201	0,707	1,329	0,165	0,014	0,265	1,613	97,618	19,864	26,162	22,079	21,277	20,228	20,341	21,905	20,324	61,193
139,167	0,201	0,720	1,334	0,164	0,020	0,255	1,612	97,618	19,864	26,180	22,081	21,287	20,209	20,350	21,952	20,321	61,229
139,500	0,201	0,710	1,334	0,166	0,018	0,265	1,612	97,653	19,865	26,175	22,068	21,286	20,200	20,342	21,998	20,321	61,194
139,834	0,201	0,700	1,341	0,166	0,016	0,273	1,611	97,617	19,860	26,138	22,080	21,306	20,209	20,341	22,046	20,319	61,274
140,167	0,201	0,699	1,320	0,163	0,024	0,274	1,611	97,575	19,876	26,201	22,092	21,308	20,200	20,351	22,096	20,324	61,277
140,500	0,200	0,697	1,313	0,168	0,013	0,276	1,609	97,521	19,861	26,167	22,088	21,312	20,202	20,344	22,156	20,319	61,300
140,833	0,200	0,710	1,335	0,167	0,016	0,264	1,609	97,517	19,864	26,177	22,100	21,337	20,201	20,346	22,215	20,320	61,318
141,167	0,200	0,723	1,331	0,163	0,016	0,252	1,609	97,521	19,896	26,121	22,103	21,330	20,211	20,359	22,274	20,321	61,434
141,500	0,201	0,731	1,336	0,164	0,021	0,246	1,609	97,509	19,906	26,185	22,123	21,336	20,192	20,356	22,332	20,319	61,271
141,833	0,201	0,729	1,320	0,166	0,017	0,247	1,608	97,519	19,882	26,142	22,120	21,350	20,189	20,350	22,395	20,319	61,304
142,167	0,200	0,722	1,327	0,162	0,018	0,253	1,608	97,519	19,873	26,173	22,124	21,357	20,207	20,349	22,438	20,318	61,342
142,500	0,200	0,713	1,325	0,167	0,010	0,263	1,607	97,499	19,868	26,163	22,124	21,348	20,186	20,344	22,499	20,316	61,284
142,833	0,200	0,707	1,330	0,165	0,013	0,268	1,607	97,536	19,864	26,117	22,128	21,364	20,190	20,345	22,556	20,319	61,311
143,167	0,200	0,709	1,322	0,163	0,016	0,266	1,606	97,505	19,805	26,112	22,131	21,363	20,190	20,353	22,603	20,317	61,308
143,500	0,200	0,705	1,339	0,163	0,016	0,268	1,606	97,481	19,838	26,168	22,140	21,357	20,196	20,354	22,666	20,319	61,393
143,834	0,200	0,704	1,351	0,168	0,013	0,269	1,605	97,463	19,841	26,127	22,144	21,393	20,186	20,365	22,728	20,319	61,299
144,167	0,200	0,714	1,324	0,166	0,016	0,260	1,604	97,476	19,871	26,167	22,142	21,399	20,187	20,371	22,782	20,319	61,233
144,500	0,200	0,718	1,321	0,165	0,017	0,256	1,603	97,475	19,904	26,201	22,167	21,392	20,195	20,366	22,846	20,320	61,261
144,834	0,200	0,712	1,330	0,163	0,015	0,262	1,603	97,490	19,892	26,143	22,168	21,397	20,192	20,370	22,919	20,322	61,322
145,167	0,200	0,714	1,333	0,161	0,020	0,260	1,603	97,479	19,781	26,128	22,170	21,394	20,196	20,367	22,968	20,317	61,258
145,500	0,200	0,727	1,326	0,165	0,011	0,249	1,603	97,524	19,811	26,173	22,167	21,421	20,190	20,369	23,034	20,317	61,312
145,834	0,201	0,740	1,328	0,165	0,016	0,237	1,601	97,554	19,805	26,272	22,189	21,418	20,187	20,365	23,085	20,321	61,332
146,167	0,201	0,745	1,334	0,166	0,016	0,231	1,601	97,574	19,841	26,209	22,178	21,432	20,194	20,372	23,143	20,319	61,148
146,500	0,201	0,763	1,332	0,163	0,012	0,216	1,601	97,641	19,825	26,149	22,188	21,427	20,184	20,365	23,216	20,319	61,094
146,833	0,201	0,753	1,337	0,162	0,016	0,225	1,600	97,668	19,721	26,210	22,190	21,429	20,188	20,376	23,262	20,321	61,183

Pellematic 56_cat III_run 1_191210.Dat

Category: III

	1103	1108	1109	130	230	101	102	1	2	3	6	7	8	11	
Mättid	T3 inlet load side	T2 inlet boiler	T1 outlet boiler	Flow load side	Flow boiler side	Heat output load side	Heat output boiler	CO chimney	CO2 chimney	O2 chimney	Pstat	Pdyn	Tunnel velocity	Våg	Tidpunkt
Minuter	°C	°C	°C	m ³ /h	m ³ /h	W	W	ppm	%	%	Pa	Pa	m/s	kg	Klockan
134,833	43,000	54,426	75,137	1,231	1,070	25990,110	25404,276	4,137	12,744	7,966	6,549	53,360	9,430	976,168	2019-12-10 14:39
135,167	43,048	54,446	75,207	1,229	1,071	25919,846	25486,003	3,895	12,596	8,058	6,643	53,309	9,426	976,168	2019-12-10 14:39
135,500	43,060	54,480	75,146	1,229	1,070	25927,335	25347,810	4,052	12,541	8,185	6,577	53,858	9,474	976,074	2019-12-10 14:40
135,833	42,990	54,524	75,099	1,229	1,070	25832,063	25231,219	4,136	12,865	7,859	6,682	52,512	9,355	976,154	2019-12-10 14:40
136,167	42,904	54,590	75,185	1,230	1,071	25953,787	25298,416	4,065	13,207	7,525	6,748	52,927	9,392	976,074	2019-12-10 14:40
136,500	42,860	54,617	75,146	1,231	1,070	26032,001	25177,879	4,136	12,762	7,758	6,624	52,337	9,340	975,983	2019-12-10 14:41
136,833	42,848	54,600	75,171	1,229	1,069	26016,834	25210,619	4,218	12,532	8,081	6,627	52,938	9,393	975,983	2019-12-10 14:41
137,167	42,841	54,581	75,136	1,228	1,070	25900,077	25203,221	4,096	12,537	8,172	6,582	53,166	9,413	975,983	2019-12-10 14:41
137,500	42,813	54,566	75,225	1,229	1,071	26066,533	25361,676	3,979	12,272	8,370	6,567	52,967	9,396	975,856	2019-12-10 14:42
137,834	42,766	54,562	75,242	1,229	1,069	25962,633	25335,252	4,572	12,085	8,560	6,627	53,003	9,399	975,856	2019-12-10 14:42
138,167	42,724	54,552	75,161	1,229	1,070	26113,467	25277,147	4,554	12,299	8,375	6,688	53,493	9,442	975,785	2019-12-10 14:42
138,500	42,702	54,527	75,196	1,229	1,070	25998,655	25357,161	4,895	12,557	8,217	6,624	52,955	9,395	975,762	2019-12-10 14:43
138,834	42,696	54,521	75,143	1,231	1,072	26206,641	25332,464	4,903	12,839	7,958	6,599	53,334	9,428	975,857	2019-12-10 14:43
139,167	42,758	54,505	75,191	1,229	1,070	26140,810	25381,669	4,807	12,961	7,654	6,556	53,239	9,420	975,762	2019-12-10 14:43
139,500	42,898	54,491	75,221	1,229	1,068	25882,203	25379,342	4,977	12,629	7,939	6,657	53,501	9,443	975,762	2019-12-10 14:44
139,834	43,036	54,503	75,146	1,230	1,069	25816,899	25310,919	4,479	12,461	8,195	6,624	53,755	9,465	975,670	2019-12-10 14:44
140,167	43,116	54,554	75,148	1,230	1,071	25712,815	25275,372	4,899	12,494	8,215	6,534	52,353	9,341	975,669	2019-12-10 14:44
140,500	43,155	54,622	75,163	1,230	1,071	25690,050	25208,834	4,472	12,370	8,273	6,713	52,595	9,363	975,576	2019-12-10 14:45
140,833	43,164	54,680	75,113	1,231	1,070	25718,444	25054,464	4,225	12,882	7,910	6,692	53,376	9,432	975,576	2019-12-10 14:45
141,167	43,165	54,711	75,205	1,230	1,071	25862,048	25156,788	4,561	13,142	7,562	6,531	53,038	9,402	975,575	2019-12-10 14:45
141,500	43,167	54,726	75,159	1,230	1,068	25634,353	25027,029	5,073	13,282	7,366	6,573	53,292	9,424	975,575	2019-12-10 14:46
141,833	43,179	54,735	75,154	1,230	1,070	25666,285	25037,763	4,984	13,217	7,413	6,659	52,782	9,379	975,485	2019-12-10 14:46
142,167	43,191	54,741	75,130	1,229	1,069	25673,899	24973,109	4,144	13,066	7,596	6,494	53,254	9,421	975,485	2019-12-10 14:46
142,500	43,206	54,750	75,218	1,231	1,070	25606,190	25096,041	4,314	12,738	7,885	6,675	52,786	9,380	975,354	2019-12-10 14:47
142,833	43,179	54,765	75,130	1,230	1,070	25673,688	24981,902	3,969	12,660	8,029	6,598	53,084	9,406	975,484	2019-12-10 14:47
143,167	43,100	54,788	75,153	1,230	1,071	25785,992	24996,143	3,716	12,726	7,973	6,539	52,949	9,394	975,259	2019-12-10 14:47
143,500	43,040	54,786	75,221	1,230	1,068	25976,171	25019,067	4,307	12,621	8,048	6,538	53,560	9,448	975,353	2019-12-10 14:48
143,834	43,001	54,758	75,247	1,230	1,069	25895,598	25106,119	4,307	12,582	8,067	6,710	54,278	9,511	975,259	2019-12-10 14:48
144,167	42,993	54,723	75,186	1,232	1,070	25855,658	25106,478	4,055	12,906	7,787	6,624	52,997	9,398	975,259	2019-12-10 14:48
144,500	43,015	54,696	75,250	1,230	1,069	25838,106	25193,345	4,218	12,954	7,692	6,584	52,991	9,398	975,164	2019-12-10 14:49
144,834	43,031	54,688	75,236	1,229	1,069	25865,983	25187,505	3,975	12,741	7,850	6,516	53,318	9,427	975,164	2019-12-10 14:49
145,167	43,059	54,690	75,284	1,229	1,070	25753,795	25262,186	4,232	12,904	7,795	6,442	53,213	9,417	975,165	2019-12-10 14:49
145,500	43,095	54,708	75,225	1,230	1,071	25788,146	25181,725	4,315	13,374	7,464	6,605	53,368	9,431	975,229	2019-12-10 14:50
145,834	43,123	54,734	75,321	1,229	1,069	25764,766	25238,128	4,932	13,508	7,100	6,608	53,298	9,425	975,070	2019-12-10 14:50
146,167	43,129	54,750	75,217	1,229	1,070	25492,201	25099,793	4,636	13,711	6,939	6,643	53,027	9,401	975,070	2019-12-10 14:50
146,500	43,110	54,790	75,304	1,229	1,069	25440,655	25136,636	5,906	14,107	6,491	6,508	53,313	9,426	975,070	2019-12-10 14:51
146,833	43,078	54,874	75,336	1,229	1,069	25614,086	25084,498	5,145	13,803	6,764	6,491	53,370	9,431	974,979	2019-12-10 14:51

Pellematic 56_cat III_run 1_191210.Dat

Category: III

	301	302	304	305	306	308	317	1311	1312	1313	1314	1315	1316	1317	1318	1101	1102
Mättid	CO chimney	CO2 chimney	Pdyn	Pstat	Static pressure chimney	O2 chimney	Våg	Flue gas temp	Ambient	Flue gas at pitot	filter temp 1	filter temp 2	gas meter temp 1	gas meter temp 2	gasmeter temp ambient		T4 outlet load side
Minuter	VDC	VDC	VDC	VDC	VDC	VDC	VDC	°C	°C	°C	°C	°C	°C	°C	°C	°C	°C
147,167	0,201	0,754	1,341	0,164	0,015	0,226	1,599	97,698	19,781	26,184	22,178	21,416	20,186	20,382	23,326	20,319	61,313
147,500	0,201	0,757	1,342	0,165	0,033	0,223	1,599	97,698	19,819	26,119	22,177	21,442	20,182	20,388	23,371	20,320	61,201
147,833	0,201	0,744	1,338	0,167	0,013	0,234	1,598	97,652	19,847	26,100	22,182	21,443	20,190	20,386	23,438	20,320	61,350
148,167	0,201	0,739	1,336	0,162	0,017	0,240	1,598	97,655	19,862	26,011	22,182	21,453	20,181	20,387	23,488	20,317	61,318
148,500	0,201	0,737	1,322	0,163	0,012	0,242	1,596	97,671	19,875	26,054	22,179	21,440	20,179	20,387	23,538	20,318	61,257
148,833	0,200	0,722	1,319	0,165	0,014	0,255	1,597	97,674	19,877	26,113	22,174	21,445	20,182	20,382	23,595	20,317	61,397
149,167	0,201	0,721	1,326	0,162	0,014	0,255	1,595	97,665	19,893	26,144	22,197	21,448	20,184	20,384	23,659	20,316	61,257
149,500	0,200	0,742	1,338	0,164	0,018	0,236	1,595	97,660	19,932	26,167	22,199	21,455	20,180	20,383	23,726	20,317	61,186
149,833	0,201	0,760	1,343	0,162	0,011	0,221	1,595	97,687	19,917	26,171	22,219	21,486	20,183	20,384	23,789	20,319	61,174
150,167	0,201	0,746	1,350	0,169	0,014	0,233	1,594	97,713	19,892	26,155	22,214	21,493	20,194	20,403	23,845	20,321	61,344
150,500	0,200	0,727	1,351	0,164	0,019	0,249	1,594	97,716	19,894	26,139	22,221	21,487	20,189	20,394	23,892	20,318	61,342
150,834	0,200	0,726	1,336	0,165	0,020	0,251	1,593	97,723	19,913	26,158	22,231	21,507	20,187	20,393	23,953	20,319	61,281
151,167	0,200	0,723	1,328	0,166	0,014	0,252	1,592	97,702	19,900	26,138	22,230	21,496	20,192	20,396	24,020	20,319	61,140
151,500	0,200	0,730	1,336	0,162	0,021	0,246	1,593	97,729	19,901	26,126	22,231	21,502	20,193	20,401	24,081	20,319	61,112
151,834	0,200	0,739	1,326	0,164	0,015	0,238	1,592	97,780	19,918	26,136	22,233	21,513	20,190	20,404	24,143	20,321	61,282
152,167	0,200	0,727	1,344	0,166	0,014	0,249	1,591	97,771	19,863	26,110	22,227	21,493	20,185	20,408	24,196	20,317	61,304
152,500	0,200	0,713	1,345	0,167	0,017	0,262	1,591	97,788	19,833	26,079	22,221	21,518	20,185	20,404	24,251	20,316	61,313
152,834	0,200	0,706	1,335	0,170	0,011	0,268	1,590	97,773	19,871	26,087	22,240	21,509	20,196	20,400	24,319	20,317	61,325
153,167	0,200	0,710	1,339	0,164	0,008	0,264	1,590	97,766	19,874	26,138	22,241	21,517	20,189	20,395	24,366	20,319	61,265
153,500	0,200	0,702	1,331	0,165	0,012	0,272	1,588	97,758	19,887	26,132	22,240	21,530	20,200	20,420	24,443	20,321	61,296
153,833	0,200	0,685	1,335	0,164	0,016	0,287	1,588	97,769	19,934	26,159	22,247	21,534	20,193	20,409	24,484	20,317	61,298
154,167	0,201	0,691	1,323	0,163	0,014	0,280	1,587	97,789	19,908	26,160	22,246	21,549	20,196	20,411	24,555	20,319	61,284
154,500	0,201	0,697	1,324	0,164	0,013	0,274	1,588	97,735	19,952	26,139	22,253	21,551	20,191	20,417	24,608	20,319	61,275
154,833	0,201	0,688	1,322	0,165	0,014	0,283	1,587	97,727	19,951	26,088	22,267	21,565	20,191	20,420	24,670	20,321	61,102
155,167	0,201	0,703	1,327	0,165	0,013	0,270	1,587	97,716	19,802	26,085	22,264	21,555	20,202	20,428	24,730	20,319	61,270
155,500	0,201	0,721	1,324	0,163	0,014	0,254	1,587	97,732	19,827	26,165	22,276	21,571	20,206	20,426	24,793	20,325	61,298
155,833	0,201	0,736	1,333	0,163	0,019	0,242	1,586	97,721	19,827	26,154	22,283	21,547	20,196	20,433	24,840	20,322	61,265
156,167	0,201	0,730	1,329	0,162	0,019	0,246	1,585	97,749	19,833	26,193	22,285	21,568	20,206	20,435	24,883	20,325	61,256
156,500	0,201	0,738	1,335	0,160	0,018	0,240	1,585	97,780	19,881	26,163	22,283	21,573	20,197	20,435	24,941	20,319	61,283
156,833	0,201	0,735	1,327	0,164	0,015	0,243	1,584	97,821	19,918	26,170	22,278	21,579	20,198	20,429	24,982	20,323	61,212
157,167	0,200	0,734	1,322	0,168	0,014	0,243	1,583	97,814	19,924	26,130	22,262	21,576	20,209	20,435	25,046	20,321	61,241
157,500	0,200	0,736	1,332	0,170	0,012	0,243	1,584	97,800	19,906	26,114	22,280	21,573	20,196	20,442	25,089	20,321	61,287
157,834	0,201	0,732	1,336	0,170	0,014	0,245	1,582	97,816	19,901	26,127	22,278	21,583	20,200	20,451	25,129	20,322	61,353
158,167	0,201	0,737	1,347	0,168	0,019	0,240	1,581	97,848	19,928	26,137	22,291	21,594	20,204	20,459	25,191	20,326	61,191
158,500	0,201	0,737	1,348	0,163	0,013	0,240	1,580	97,899	19,927	26,154	22,294	21,585	20,201	20,456	25,230	20,321	61,300
158,834	0,202	0,733	1,338	0,168	0,013	0,244	1,580	97,886	19,898	26,177	22,284	21,577	20,200	20,451	25,279	20,319	61,191
159,167	0,201	0,734	1,331	0,164	0,007	0,242	1,580	97,882	19,882	26,224	22,295	21,590	20,194	20,447	25,331	20,318	61,291

Pellematic 56_cat III_run 1_191210.Dat

Category: III

	1103	1108	1109	130	230	101	102	1	2	3	6	7	8	11	
Mättid	T3 inlet load side	T2 inlet boiler	T1 outlet boiler	Flow load side	Flow boiler side	Heat output load side	Heat output boiler	CO chimney	CO2 chimney	O2 chimney	Pstat	Pdyn	Tunnel velocity	Våg	Tidpunkt
Minuter	°C	°C	°C	m ³ /h	m ³ /h	W	W	ppm	%	%	Pa	Pa	m/s	kg	Klockan
147,167	43,072	54,914	75,360	1,231	1,070	25849,891	25081,577	4,554	13,854	6,766	6,560	54,004	9,487	974,978	2019-12-10 14:51
147,500	43,104	54,888	75,350	1,230	1,070	25619,561	25087,709	4,392	13,865	6,694	6,589	53,524	9,445	974,852	2019-12-10 14:52
147,833	43,169	54,874	75,384	1,229	1,071	25720,366	25178,851	4,895	13,525	7,025	6,661	53,669	9,458	974,852	2019-12-10 14:52
148,167	43,236	54,889	75,442	1,229	1,071	25584,321	25221,630	5,230	13,481	7,187	6,473	53,327	9,428	974,852	2019-12-10 14:52
148,500	43,287	54,923	75,452	1,229	1,070	25427,565	25172,396	4,635	13,352	7,258	6,516	52,632	9,366	974,757	2019-12-10 14:53
148,833	43,276	54,992	75,473	1,229	1,071	25634,000	25132,678	4,468	12,965	7,664	6,586	52,819	9,382	974,757	2019-12-10 14:53
149,167	43,205	55,060	75,520	1,229	1,070	25544,263	25088,224	4,813	13,110	7,645	6,465	53,208	9,417	974,664	2019-12-10 14:53
149,500	43,133	55,110	75,573	1,229	1,069	25528,342	25084,770	4,474	13,662	7,090	6,565	53,718	9,462	974,664	2019-12-10 14:54
149,833	43,076	55,139	75,564	1,229	1,071	25592,342	25070,742	5,314	14,079	6,640	6,473	53,971	9,484	974,663	2019-12-10 14:54
150,167	43,014	55,191	75,621	1,229	1,070	25921,396	25052,755	4,565	13,467	6,991	6,751	54,049	9,491	974,572	2019-12-10 14:54
150,500	42,936	55,160	75,667	1,229	1,069	26038,754	25124,622	3,890	13,111	7,482	6,553	54,045	9,491	974,570	2019-12-10 14:55
150,834	42,876	55,122	75,730	1,228	1,070	26010,403	25283,629	3,798	13,127	7,516	6,617	53,295	9,425	974,570	2019-12-10 14:55
151,167	42,927	55,090	75,725	1,227	1,069	25728,915	25275,291	4,057	13,065	7,564	6,649	52,926	9,392	974,479	2019-12-10 14:55
151,500	43,064	55,091	75,722	1,228	1,070	25515,434	25293,427	4,385	13,349	7,381	6,484	53,427	9,436	974,570	2019-12-10 14:56
151,834	43,158	55,155	75,737	1,229	1,071	25638,296	25275,985	4,392	13,405	7,146	6,567	52,958	9,395	974,478	2019-12-10 14:56
152,167	43,179	55,233	75,787	1,228	1,069	25606,715	25188,002	4,137	13,113	7,458	6,631	53,898	9,478	974,352	2019-12-10 14:56
152,500	43,181	55,296	75,911	1,226	1,069	25591,250	25267,228	4,305	12,741	7,861	6,698	53,831	9,472	974,353	2019-12-10 14:57
152,834	43,171	55,345	75,793	1,229	1,069	25678,049	25045,230	4,472	12,635	8,040	6,782	53,340	9,429	974,352	2019-12-10 14:57
153,167	43,124	55,363	75,864	1,228	1,070	25648,757	25136,313	3,972	12,750	7,922	6,570	53,519	9,445	974,352	2019-12-10 14:57
153,500	43,023	55,378	75,881	1,229	1,070	25856,825	25148,562	4,011	12,493	8,162	6,609	53,344	9,429	974,258	2019-12-10 14:58
153,833	42,912	55,365	75,901	1,227	1,068	25962,247	25139,712	4,075	12,060	8,596	6,568	53,302	9,425	974,257	2019-12-10 14:58
154,167	42,874	55,339	75,849	1,227	1,064	26009,449	25016,084	4,807	12,298	8,389	6,511	52,876	9,388	974,164	2019-12-10 14:58
154,500	42,920	55,290	75,849	1,227	1,060	25930,137	24978,561	4,947	12,424	8,230	6,556	52,774	9,379	974,257	2019-12-10 14:59
154,833	42,999	55,232	75,951	1,228	1,059	25588,413	25158,376	5,064	12,239	8,482	6,588	53,025	9,401	974,164	2019-12-10 14:59
155,167	43,086	55,211	75,914	1,228	1,061	25710,750	25171,190	5,977	12,618	8,094	6,607	52,937	9,393	974,164	2019-12-10 14:59
155,500	43,172	55,231	75,936	1,228	1,061	25612,275	25177,889	5,674	13,032	7,618	6,526	52,975	9,396	974,070	2019-12-10 15:00
155,833	43,206	55,273	75,945	1,228	1,060	25518,461	25121,711	4,720	13,498	7,245	6,527	53,161	9,413	974,164	2019-12-10 15:00
156,167	43,178	55,316	75,928	1,228	1,061	25553,671	25052,862	6,063	13,271	7,366	6,464	53,508	9,444	974,070	2019-12-10 15:00
156,500	43,147	55,349	75,924	1,227	1,055	25618,085	24867,544	4,889	13,441	7,187	6,395	53,215	9,418	974,069	2019-12-10 15:01
156,833	43,145	55,347	75,940	1,227	1,055	25513,187	24903,488	4,475	13,363	7,290	6,569	53,342	9,429	973,978	2019-12-10 15:01
157,167	43,153	55,371	76,021	1,227	1,054	25550,776	24946,798	4,383	13,433	7,296	6,715	52,730	9,375	973,852	2019-12-10 15:01
157,500	43,118	55,376	76,009	1,228	1,054	25677,317	24932,521	4,468	13,315	7,278	6,782	53,459	9,439	973,978	2019-12-10 15:02
157,834	43,033	55,374	76,088	1,228	1,054	25889,875	25031,831	4,639	13,351	7,344	6,790	53,415	9,435	973,852	2019-12-10 15:02
158,167	42,928	55,366	76,113	1,227	1,055	25802,060	25092,251	5,970	13,493	7,198	6,718	53,844	9,473	973,852	2019-12-10 15:02
158,500	42,882	55,351	76,155	1,228	1,055	26026,472	25156,676	6,819	13,460	7,186	6,530	54,066	9,493	973,757	2019-12-10 15:03
158,834	42,914	55,313	76,132	1,228	1,055	25840,629	25179,813	6,658	13,280	7,305	6,720	53,612	9,453	973,758	2019-12-10 15:03
159,167	42,960	55,286	76,171	1,226	1,054	25877,142	25237,395	6,314	13,406	7,264	6,579	53,315	9,426	973,828	2019-12-10 15:03

Pellematic 56_cat III_run 1_191210.Dat

Category: III

	301	302	304	305	306	308	317	1311	1312	1313	1314	1315	1316	1317	1318	1101	1102
Mättid	CO chimney	CO2 chimney	Pdyn	Pstat	Static pressure chimney	O2 chimney	Våg	Flue gas temp	Ambient	Flue gas at pitot	filter temp 1	filter temp 2	gas meter temp 1	gas meter temp 2	gasmeter temp ambient		T4 outlet load side
Minuter	VDC	VDC	VDC	VDC	VDC	VDC	VDC	°C	°C	°C	°C	°C	°C	°C	°C	°C	°C
159,500	0,201	0,733	1,318	0,163	0,017	0,244	1,580	97,910	19,903	26,191	22,289	21,584	20,204	20,461	25,366	20,320	61,191
159,834	0,201	0,729	1,332	0,163	0,017	0,247	1,579	97,953	19,898	26,176	22,306	21,594	20,211	20,456	25,431	20,321	61,234
160,167	0,201	0,730	1,345	0,165	0,016	0,247	1,579	97,970	19,917	26,145	22,305	21,619	20,218	20,458	25,462	20,321	61,201
160,500	0,201	0,730	1,340	0,162	0,022	0,246	1,578	98,026	19,916	26,156	22,295	21,586	20,210	20,462	25,501	20,321	61,404
160,833	0,201	0,731	1,348	0,166	0,017	0,246	1,577	97,998	19,940	26,156	22,293	21,606	20,202	20,471	25,548	20,321	61,248
161,167	0,201	0,727	1,343	0,166	0,019	0,249	1,577	98,035	19,931	26,132	22,287	21,618	20,224	20,472	25,605	20,321	61,253
161,500	0,201	0,721	1,329	0,166	0,014	0,254	1,576	98,068	19,913	26,151	22,288	21,594	20,219	20,472	25,653	20,320	61,385
161,833	0,202	0,731	1,327	0,165	0,017	0,245	1,575	98,082	19,959	26,147	22,302	21,624	20,223	20,470	25,689	20,321	61,319
162,167	0,202	0,735	1,328	0,169	0,019	0,241	1,575	98,077	19,927	26,172	22,299	21,612	20,225	20,478	25,750	20,321	61,355
162,500	0,202	0,744	1,335	0,166	0,018	0,233	1,573	98,089	19,909	26,171	22,313	21,600	20,217	20,472	25,808	20,322	61,334
162,833	0,201	0,745	1,343	0,166	0,011	0,233	1,574	98,101	19,927	26,143	22,316	21,610	20,228	20,467	25,854	20,323	61,383
163,167	0,201	0,739	1,327	0,165	0,015	0,238	1,572	98,122	19,947	26,138	22,298	21,608	20,217	20,481	25,888	20,320	61,400
163,500	0,201	0,725	1,334	0,169	0,012	0,252	1,572	98,163	19,903	26,116	22,309	21,613	20,231	20,485	25,933	20,323	61,333
163,833	0,201	0,719	1,320	0,164	0,018	0,256	1,572	98,165	19,922	26,146	22,310	21,605	20,221	20,485	25,979	20,324	61,490
164,167	0,201	0,715	1,343	0,163	0,010	0,260	1,571	98,139	19,911	26,084	22,296	21,616	20,228	20,487	26,031	20,323	61,261
164,500	0,201	0,714	1,338	0,168	0,019	0,261	1,571	98,106	19,934	26,107	22,303	21,626	20,216	20,491	26,074	20,327	61,430
164,834	0,201	0,718	1,329	0,164	0,016	0,257	1,571	98,092	19,921	26,253	22,314	21,617	20,226	20,494	26,122	20,327	61,232
165,167	0,202	0,730	1,342	0,169	0,013	0,246	1,571	98,131	19,936	26,234	22,309	21,615	20,228	20,501	26,158	20,326	61,256
165,500	0,202	0,725	1,332	0,167	0,016	0,251	1,569	98,197	19,908	26,184	22,313	21,634	20,230	20,496	26,196	20,325	61,288
165,834	0,201	0,725	1,338	0,167	0,018	0,251	1,569	98,181	19,883	26,225	22,315	21,621	20,222	20,500	26,234	20,323	61,367
166,167	0,201	0,728	1,329	0,164	0,011	0,249	1,568	98,157	19,881	26,166	22,322	21,628	20,230	20,506	26,273	20,325	61,377
166,500	0,201	0,719	1,327	0,164	0,014	0,256	1,568	98,185	19,949	26,169	22,324	21,629	20,231	20,499	26,328	20,325	61,358
166,834	0,201	0,719	1,324	0,164	0,020	0,257	1,568	98,223	19,911	26,192	22,323	21,625	20,230	20,515	26,363	20,327	61,330
167,167	0,201	0,720	1,331	0,163	0,016	0,254	1,567	98,241	19,871	26,234	22,344	21,629	20,228	20,506	26,398	20,325	61,354
167,500	0,201	0,732	1,338	0,162	0,015	0,244	1,566	98,240	19,916	26,201	22,338	21,631	20,236	20,514	26,436	20,325	61,199
167,833	0,201	0,738	1,335	0,163	0,015	0,240	1,566	98,279	19,923	26,253	22,346	21,638	20,230	20,512	26,468	20,327	61,120
168,167	0,208	0,730	1,338	0,167	0,014	0,247	1,564	98,271	19,933	26,178	22,338	21,641	20,236	20,537	26,520	20,327	61,212
168,500	0,208	0,733	1,332	0,164	0,014	0,244	1,566	98,309	19,949	26,207	22,330	21,625	20,236	20,521	26,553	20,326	61,347
168,833	0,206	0,739	1,345	0,166	0,016	0,238	1,563	98,358	19,978	26,214	22,335	21,638	20,243	20,533	26,604	20,331	61,436
169,167	0,205	0,734	1,339	0,165	0,012	0,243	1,563	98,399	19,967	26,196	22,339	21,633	20,241	20,525	26,653	20,329	61,348
169,500	0,205	0,729	1,331	0,164	0,013	0,247	1,563	98,393	19,962	26,123	22,335	21,630	20,240	20,524	26,691	20,327	61,331
169,833	0,204	0,709	1,341	0,167	0,015	0,266	1,562	98,358	19,975	26,184	22,342	21,633	20,243	20,535	26,720	20,328	61,398
170,167	0,204	0,706	1,346	0,167	0,015	0,268	1,562	98,366	19,980	26,244	22,358	21,641	20,234	20,527	26,754	20,331	61,355
170,500	0,204	0,706	1,342	0,164	0,013	0,268	1,561	98,384	19,984	26,166	22,342	21,630	20,250	20,544	26,783	20,331	61,163
170,833	0,204	0,716	1,329	0,163	0,016	0,259	1,561	98,384	19,896	26,202	22,334	21,647	20,247	20,531	26,824	20,330	61,273
171,167	0,203	0,714	1,333	0,166	0,015	0,260	1,560	98,416	19,913	26,172	22,336	21,666	20,247	20,546	26,853	20,332	61,173
171,500	0,202	0,706	1,324	0,168	0,014	0,268	1,560	98,384	19,923	26,136	22,340	21,649	20,245	20,549	26,878	20,331	61,143

Pellematic 56_cat III_run 1_191210.Dat

Category: III

	1103	1108	1109	130	230	101	102	1	2	3	6	7	8	11	
Mättid	T3 inlet load side	T2 inlet boiler	T1 outlet boiler	Flow load side	Flow boiler side	Heat output load side	Heat output boiler	CO chimney	CO2 chimney	O2 chimney	Pstat	Pdyn	Tunnel velocity	Våg	Tidpunkt
Minuter	°C	°C	°C	m ³ /h	m ³ /h	W	W	ppm	%	%	Pa	Pa	m/s	kg	Klockan
159,500	42,985	55,293	76,239	1,227	1,055	25704,608	25316,266	7,153	13,341	7,323	6,531	52,757	9,377	973,758	2019-12-10 15:04
159,834	42,989	55,306	76,230	1,227	1,054	25758,332	25274,898	6,401	13,226	7,420	6,532	53,449	9,438	973,664	2019-12-10 15:04
160,167	43,002	55,332	76,304	1,226	1,056	25690,214	25372,540	5,558	13,199	7,396	6,607	53,893	9,477	973,599	2019-12-10 15:04
160,500	43,025	55,392	76,319	1,226	1,056	25928,877	25321,095	5,146	13,301	7,376	6,473	53,471	9,440	973,664	2019-12-10 15:05
160,833	43,056	55,425	76,313	1,228	1,056	25710,044	25277,261	5,487	13,264	7,377	6,652	54,467	9,528	973,570	2019-12-10 15:05
161,167	43,092	55,468	76,339	1,227	1,056	25651,091	25252,266	4,852	13,080	7,465	6,624	53,242	9,420	973,571	2019-12-10 15:05
161,500	43,114	55,519	76,398	1,227	1,055	25807,612	25254,599	6,088	13,177	7,607	6,651	53,115	9,409	973,479	2019-12-10 15:06
161,833	43,132	55,566	76,334	1,226	1,055	25661,236	25115,522	7,499	13,321	7,356	6,610	52,887	9,389	973,355	2019-12-10 15:06
162,167	43,141	55,610	76,379	1,227	1,055	25732,405	25103,570	7,906	13,294	7,232	6,777	53,132	9,410	973,354	2019-12-10 15:06
162,500	43,129	55,644	76,389	1,227	1,056	25711,300	25098,747	6,740	13,637	6,995	6,636	53,129	9,410	973,355	2019-12-10 15:07
162,833	43,096	55,670	76,427	1,227	1,057	25823,866	25136,173	6,405	13,700	6,992	6,653	53,553	9,447	973,355	2019-12-10 15:07
163,167	43,064	55,674	76,450	1,227	1,056	25902,469	25141,527	6,568	13,450	7,148	6,611	53,080	9,406	973,260	2019-12-10 15:07
163,500	43,049	55,673	76,442	1,227	1,055	25822,914	25116,139	5,620	12,987	7,546	6,757	53,450	9,438	973,260	2019-12-10 15:08
163,833	43,054	55,664	76,500	1,229	1,055	26070,649	25199,370	5,573	13,057	7,683	6,573	52,725	9,374	973,260	2019-12-10 15:08
164,167	43,104	55,665	76,560	1,227	1,057	25647,434	25308,523	6,240	12,892	7,793	6,505	53,763	9,466	973,215	2019-12-10 15:08
164,500	43,150	55,686	76,534	1,226	1,055	25790,513	25200,402	5,987	12,800	7,833	6,704	52,948	9,394	973,166	2019-12-10 15:09
164,834	43,158	55,711	76,579	1,228	1,058	25540,282	25298,268	6,325	13,074	7,715	6,575	53,293	9,424	973,166	2019-12-10 15:09
165,167	43,144	55,759	76,553	1,227	1,057	25570,828	25196,474	7,660	13,321	7,388	6,771	53,706	9,461	973,166	2019-12-10 15:09
165,500	43,129	55,834	76,624	1,226	1,055	25630,330	25139,549	6,825	13,126	7,529	6,670	53,206	9,417	973,072	2019-12-10 15:10
165,834	43,131	55,867	76,556	1,228	1,057	25770,392	25062,419	6,487	13,104	7,518	6,687	53,489	9,442	973,072	2019-12-10 15:10
166,167	43,143	55,874	76,619	1,229	1,057	25785,292	25126,714	6,065	13,148	7,473	6,552	53,051	9,403	972,980	2019-12-10 15:10
166,500	43,133	55,889	76,635	1,227	1,057	25747,002	25135,643	5,984	12,984	7,690	6,575	52,979	9,397	972,980	2019-12-10 15:11
166,834	43,136	55,910	76,709	1,227	1,057	25702,981	25186,012	6,485	12,888	7,698	6,565	52,809	9,382	972,980	2019-12-10 15:11
167,167	43,153	55,924	76,702	1,228	1,057	25730,133	25163,597	7,002	13,053	7,633	6,522	53,307	9,426	972,854	2019-12-10 15:11
167,500	43,146	55,934	76,654	1,226	1,056	25476,274	25076,673	6,246	13,396	7,310	6,494	53,659	9,457	972,854	2019-12-10 15:12
167,833	43,138	55,987	76,742	1,228	1,054	25405,802	25055,672	6,485	13,453	7,212	6,509	53,631	9,454	972,854	2019-12-10 15:12
168,167	43,145	56,052	76,705	1,227	1,073	25503,737	25380,000	24,195	13,126	7,418	6,693	53,467	9,440	972,759	2019-12-10 15:12
168,500	43,188	56,165	76,755	1,228	1,072	25660,335	25300,920	22,687	13,425	7,310	6,562	53,221	9,418	972,854	2019-12-10 15:13
168,833	43,228	56,252	76,741	1,226	1,072	25702,090	25167,171	19,158	13,454	7,142	6,655	53,712	9,462	972,666	2019-12-10 15:13
169,167	43,224	56,313	76,850	1,228	1,070	25619,014	25177,832	15,882	13,305	7,297	6,592	53,408	9,435	972,666	2019-12-10 15:13
169,500	43,207	56,364	76,866	1,228	1,071	25621,017	25160,402	14,126	13,157	7,417	6,559	53,176	9,414	972,665	2019-12-10 15:14
169,833	43,216	56,385	76,850	1,227	1,072	25667,087	25130,967	13,115	12,674	7,977	6,685	53,678	9,458	972,666	2019-12-10 15:14
170,167	43,197	56,409	76,843	1,227	1,072	25649,192	25097,102	13,029	12,645	8,028	6,660	53,825	9,471	972,572	2019-12-10 15:14
170,500	43,116	56,460	76,872	1,227	1,072	25482,649	25071,944	12,620	12,578	8,042	6,570	53,811	9,470	972,572	2019-12-10 15:15
170,833	43,009	56,533	76,908	1,227	1,075	25787,399	25087,039	11,867	13,003	7,761	6,512	53,395	9,434	972,572	2019-12-10 15:15
171,167	42,940	56,562	76,872	1,227	1,074	25748,626	24997,172	10,306	12,831	7,791	6,653	53,530	9,445	972,480	2019-12-10 15:15
171,500	42,938	56,552	76,896	1,228	1,074	25722,804	25038,364	6,737	12,571	8,036	6,705	52,899	9,390	972,481	2019-12-10 15:16

Pellematic 56_cat III_run 1_191210.Dat

Category: III

	301	302	304	305	306	308	317	1311	1312	1313	1314	1315	1316	1317	1318	1101	1102
Mättid	CO chimney	CO2 chimney	Pdyn	Pstat	Static pressure chimney	O2 chimney	Våg	Flue gas temp	Ambient	Flue gas at pitot	filter temp 1	filter temp 2	gas meter temp 1	gas meter temp 2	gasmeter temp ambient		T4 outlet load side
Minuter	VDC	VDC	VDC	VDC	VDC	VDC	VDC	°C	°C	°C	°C	°C	°C	°C	°C	°C	°C
171,834	0,202	0,703	1,325	0,164	0,019	0,270	1,559	98,385	19,844	26,153	22,343	21,643	20,249	20,541	26,907	20,331	61,251
172,167	0,201	0,715	1,317	0,166	0,014	0,259	1,558	98,416	19,841	26,263	22,332	21,646	20,245	20,550	26,942	20,331	61,202
172,500	0,202	0,726	1,326	0,163	0,015	0,250	1,558	98,453	19,864	26,168	22,338	21,652	20,239	20,554	26,969	20,329	61,213
172,834	0,201	0,722	1,334	0,165	0,019	0,254	1,557	98,460	19,901	26,188	22,352	21,670	20,253	20,556	27,023	20,334	61,290
173,167	0,201	0,717	1,340	0,168	0,012	0,258	1,556	98,459	19,908	26,212	22,355	21,665	20,259	20,564	27,055	20,331	61,273
173,500	0,201	0,715	1,351	0,170	0,015	0,259	1,555	98,476	19,921	26,164	22,359	21,660	20,264	20,558	27,094	20,332	61,331
173,834	0,201	0,721	1,347	0,160	0,022	0,256	1,556	98,443	19,940	26,225	22,366	21,662	20,257	20,555	27,126	20,332	61,318
174,167	0,201	0,707	1,339	0,165	0,013	0,267	1,555	98,432	19,955	26,226	22,368	21,664	20,260	20,565	27,160	20,333	61,367
174,500	0,201	0,713	1,338	0,168	0,012	0,261	1,555	98,422	19,935	26,157	22,355	21,679	20,254	20,569	27,188	20,331	61,328
174,833	0,201	0,721	1,322	0,163	0,018	0,255	1,555	98,372	19,942	26,129	22,359	21,667	20,255	20,569	27,233	20,335	61,232
175,167	0,201	0,715	1,324	0,163	0,020	0,259	1,553	98,377	19,977	26,160	22,365	21,686	20,268	20,565	27,278	20,336	61,271
175,500	0,201	0,707	1,337	0,167	0,011	0,267	1,553	98,397	19,920	26,192	22,361	21,673	20,266	20,586	27,298	20,335	61,216
175,833	0,201	0,717	1,328	0,167	0,012	0,258	1,552	98,435	19,886	26,277	22,359	21,669	20,270	20,586	27,325	20,335	61,312
176,167	0,201	0,712	1,340	0,166	0,010	0,263	1,552	98,460	19,929	26,189	22,361	21,656	20,270	20,590	27,356	20,338	61,336
176,500	0,201	0,722	1,336	0,171	0,021	0,254	1,552	98,429	19,949	26,149	22,346	21,685	20,270	20,579	27,388	20,337	61,213
176,833	0,201	0,718	1,335	0,167	0,026	0,257	1,551	98,447	19,929	26,219	22,348	21,662	20,267	20,580	27,424	20,338	61,218
177,167	0,201	0,721	1,334	0,164	0,011	0,254	1,551	98,445	19,953	26,236	22,349	21,658	20,261	20,590	27,452	20,338	61,118
177,500	0,201	0,732	1,329	0,166	0,017	0,245	1,551	98,475	19,972	26,181	22,354	21,669	20,282	20,590	27,486	20,340	61,228
177,834	0,201	0,726	1,334	0,164	0,017	0,250	1,550	98,456	19,954	26,213	22,351	21,667	20,276	20,586	27,510	20,342	61,192
178,167	0,201	0,709	1,323	0,163	0,020	0,265	1,549	98,405	19,976	26,238	22,344	21,672	20,279	20,593	27,535	20,343	61,223
178,500	0,201	0,705	1,325	0,167	0,013	0,268	1,549	98,412	19,982	26,288	22,349	21,682	20,282	20,596	27,552	20,343	61,380
178,834	0,201	0,712	1,324	0,165	0,015	0,262	1,547	98,371	19,975	26,205	22,352	21,662	20,291	20,597	27,578	20,341	61,378
179,167	0,201	0,715	1,341	0,168	0,020	0,259	1,547	98,358	19,960	26,124	22,354	21,673	20,272	20,611	27,606	20,343	61,231
179,500	0,201	0,728	1,345	0,165	0,016	0,247	1,547	98,337	19,966	26,218	22,349	21,675	20,282	20,612	27,640	20,340	61,216
179,834	0,201	0,724	1,335	0,166	0,015	0,250	1,545	98,329	19,908	26,197	22,357	21,680	20,276	20,611	27,685	20,342	61,274
180,167	0,201	0,727	1,335	0,165	0,017	0,249	1,547	98,337	19,928	26,230	22,346	21,672	20,281	20,598	27,698	20,341	61,280
180,500	0,201	0,718	1,335	0,165	0,007	0,257	1,545	98,381	19,941	26,191	22,353	21,675	20,287	20,607	27,735	20,345	61,245
180,833	0,201	0,711	1,335	0,166	0,016	0,264	1,545	98,405	19,912	26,158	22,345	21,642	20,284	20,603	27,750	20,343	61,308
181,167	0,201	0,705	1,325	0,165	0,021	0,269	1,544	98,406	19,942	26,219	22,339	21,659	20,286	20,607	27,764	20,345	61,320
181,500	0,202	0,686	1,335	0,168	0,023	0,285	1,544	98,421	19,969	26,215	22,343	21,670	20,286	20,619	27,796	20,346	61,216
181,833	0,206	0,695	1,338	0,166	0,016	0,276	1,544	98,460	19,989	26,171	22,351	21,681	20,290	20,626	27,832	20,351	61,257
182,167	0,206	0,693	1,328	0,163	0,009	0,278	1,543	98,455	19,970	26,197	22,335	21,658	20,291	20,632	27,852	20,347	61,279
182,500	0,206	0,699	1,334	0,163	0,015	0,272	1,542	98,444	19,964	26,241	22,341	21,665	20,295	20,613	27,883	20,348	61,295
182,833	0,206	0,709	1,339	0,163	0,020	0,265	1,542	98,442	19,973	26,203	22,350	21,668	20,286	20,630	27,916	20,348	61,335
183,167	0,206	0,711	1,344	0,168	0,021	0,263	1,541	98,474	19,977	26,241	22,353	21,671	20,287	20,624	27,933	20,346	61,219
183,500	0,205	0,707	1,335	0,169	0,016	0,266	1,540	98,475	19,989	26,187	22,337	21,432	20,293	20,624	27,955	20,347	61,339
183,833	0,205	0,707	1,321	0,163	0,007	0,266	1,539	98,516	20,059	26,248	22,337	21,170	20,291	20,630	28,000	20,345	61,198

Pellematic 56_cat III_run 1_191210.Dat

Category: III

	1103	1108	1109	130	230	101	102	1	2	3	6	7	8	11	
Mättid	T3 inlet load side	T2 inlet boiler	T1 outlet boiler	Flow load side	Flow boiler side	Heat output load side	Heat output boiler	CO chimney	CO2 chimney	O2 chimney	Pstat	Pdyn	Tunnel velocity	Våg	Tidpunkt
Minuter	°C	°C	°C	m ³ /h	m ³ /h	W	W	ppm	%	%	Pa	Pa	m/s	kg	Klockan
171,834	42,955	56,523	76,920	1,227	1,072	25847,774	25053,248	7,249	12,558	8,086	6,564	52,993	9,398	972,362	2019-12-10 15:16
172,167	42,963	56,496	76,912	1,226	1,072	25738,407	25065,651	6,954	12,936	7,755	6,648	52,725	9,374	972,354	2019-12-10 15:16
172,500	42,985	56,472	76,973	1,226	1,072	25724,491	25185,952	7,067	13,085	7,499	6,537	53,118	9,409	972,355	2019-12-10 15:17
172,834	43,015	56,466	76,979	1,226	1,074	25799,532	25237,025	6,312	12,992	7,626	6,594	53,498	9,443	972,260	2019-12-10 15:17
173,167	43,042	56,473	77,004	1,227	1,073	25738,500	25240,290	6,240	12,891	7,754	6,719	53,684	9,459	972,261	2019-12-10 15:17
173,500	43,044	56,500	77,012	1,227	1,073	25823,732	25218,996	6,403	13,026	7,774	6,808	54,017	9,488	972,167	2019-12-10 15:18
173,834	43,064	56,525	77,026	1,227	1,073	25785,497	25194,071	5,653	12,912	7,667	6,418	53,886	9,477	972,260	2019-12-10 15:18
174,167	43,114	56,525	77,043	1,227	1,071	25776,985	25182,801	5,651	12,594	8,001	6,583	53,591	9,451	972,260	2019-12-10 15:18
174,500	43,165	56,529	77,062	1,227	1,073	25645,429	25234,415	5,649	12,929	7,840	6,707	53,666	9,457	972,260	2019-12-10 15:19
174,833	43,173	56,564	77,083	1,227	1,072	25514,323	25193,170	6,562	13,054	7,638	6,527	52,716	9,373	972,166	2019-12-10 15:19
175,167	43,141	56,620	77,010	1,227	1,073	25610,849	25072,900	6,315	12,784	7,779	6,533	53,143	9,411	972,073	2019-12-10 15:19
175,500	43,106	56,669	77,102	1,227	1,072	25573,358	25081,369	5,471	12,677	8,000	6,679	53,503	9,443	972,072	2019-12-10 15:20
175,833	43,081	56,686	77,087	1,226	1,074	25736,630	25101,862	4,893	13,048	7,738	6,681	52,913	9,391	971,981	2019-12-10 15:20
176,167	43,076	56,696	77,091	1,227	1,073	25784,993	25077,617	4,799	12,752	7,878	6,629	53,703	9,461	971,981	2019-12-10 15:20
176,500	43,064	56,701	77,075	1,227	1,073	25636,472	25040,764	5,467	13,107	7,613	6,839	53,533	9,446	971,981	2019-12-10 15:21
176,833	43,057	56,726	77,068	1,227	1,071	25645,101	24949,463	5,141	12,970	7,698	6,687	53,403	9,434	971,980	2019-12-10 15:21
177,167	43,038	56,764	77,135	1,227	1,075	25525,116	25085,639	4,977	13,040	7,622	6,556	53,504	9,443	971,981	2019-12-10 15:21
177,500	43,019	56,792	77,107	1,226	1,073	25706,549	24964,383	4,970	13,342	7,345	6,650	53,066	9,404	971,981	2019-12-10 15:22
177,834	43,003	56,797	77,102	1,226	1,074	25666,275	24981,119	5,224	13,079	7,500	6,571	53,073	9,405	971,855	2019-12-10 15:22
178,167	43,000	56,792	77,160	1,227	1,073	25742,161	25030,111	5,143	12,692	7,945	6,534	53,022	9,401	971,760	2019-12-10 15:22
178,500	43,000	56,776	77,141	1,227	1,073	25968,150	25020,695	5,066	12,681	8,042	6,667	53,086	9,406	971,855	2019-12-10 15:23
178,834	43,013	56,715	77,135	1,227	1,073	25943,604	25106,263	5,223	12,778	7,846	6,608	52,938	9,393	971,667	2019-12-10 15:23
179,167	43,067	56,676	77,152	1,227	1,075	25658,371	25207,775	5,223	12,993	7,767	6,713	53,520	9,445	971,667	2019-12-10 15:23
179,500	43,127	56,695	77,191	1,227	1,073	25554,726	25203,877	5,061	13,203	7,412	6,584	53,730	9,463	971,667	2019-12-10 15:24
179,834	43,155	56,729	77,181	1,228	1,075	25606,046	25176,054	5,312	13,045	7,508	6,621	53,469	9,440	971,573	2019-12-10 15:24
180,167	43,147	56,772	77,215	1,228	1,074	25619,591	25145,481	5,563	13,176	7,460	6,596	53,504	9,443	971,667	2019-12-10 15:24
180,500	43,119	56,802	77,212	1,227	1,074	25598,712	25102,101	5,138	12,892	7,709	6,597	53,422	9,436	971,573	2019-12-10 15:25
180,833	43,103	56,817	77,222	1,228	1,074	25720,327	25096,338	5,391	12,727	7,922	6,629	53,052	9,403	971,573	2019-12-10 15:25
181,167	43,116	56,824	77,190	1,227	1,071	25704,636	24978,917	5,731	12,577	8,073	6,613	53,048	9,403	971,482	2019-12-10 15:25
181,500	43,128	56,826	77,229	1,228	1,071	25561,650	25040,246	10,081	12,100	8,549	6,721	53,423	9,436	971,482	2019-12-10 15:26
181,833	43,167	56,849	77,262	1,227	1,069	25545,979	24991,194	20,071	12,332	8,282	6,626	53,561	9,448	971,482	2019-12-10 15:26
182,167	43,260	56,854	77,264	1,227	1,068	25444,292	24962,058	18,478	12,276	8,351	6,517	52,803	9,381	971,352	2019-12-10 15:26
182,500	43,334	56,869	77,267	1,228	1,070	25386,699	24992,778	18,230	12,636	8,169	6,531	53,330	9,428	971,353	2019-12-10 15:27
182,833	43,345	56,906	77,296	1,228	1,069	25421,959	24956,505	17,148	12,661	7,947	6,515	53,631	9,454	971,353	2019-12-10 15:27
183,167	43,313	56,973	77,264	1,227	1,070	25279,517	24862,219	16,982	12,868	7,886	6,725	53,453	9,439	971,258	2019-12-10 15:27
183,500	43,284	57,025	77,297	1,227	1,068	25492,912	24802,875	16,223	12,622	7,977	6,771	53,268	9,422	971,258	2019-12-10 15:28
183,833	43,279	57,040	77,273	1,228	1,068	25314,916	24754,184	16,395	12,674	7,981	6,521	53,034	9,402	971,164	2019-12-10 15:28

Pellematic 56_cat III_run 1_191210.Dat

Category: III

	301	302	304	305	306	308	317	1311	1312	1313	1314	1315	1316	1317	1318	1101	1102
Mättid	CO chimney	CO2 chimney	Pdyn	Pstat	Static pressure chimney	O2 chimney	Våg	Flue gas temp	Ambient	Flue gas at pitot	filter temp 1	filter temp 2	gas meter temp 1	gas meter temp 2	gasmeter temp ambient		T4 outlet load side
Minuter	VDC	VDC	VDC	VDC	VDC	VDC	VDC	°C	°C	°C	°C	°C	°C	°C	°C	°C	°C
184,167	0,206	0,708	1,334	0,163	0,017	0,265	1,539	98,517	20,001	26,276	22,351	-4988,928	20,302	20,628	28,029	20,347	61,274
184,500	0,206	0,706	1,332	0,166	0,019	0,267	1,539	98,484	20,008	26,166	22,333	-42,513	20,310	20,628	28,051	20,349	61,236
184,834	0,205	0,696	1,343	0,167	0,008	0,277	1,539	98,483	19,947	26,117	22,337	9,578	20,335	20,636	28,073	20,349	61,320
185,167	0,204	0,682	1,331	0,166	0,014	0,288	1,537	98,438	19,917	26,125	22,335	20,577	20,324	20,640	28,097	20,351	61,273
185,500	0,204	0,688	1,327	0,163	0,014	0,283	1,537	98,464	19,914	26,194	22,333	20,664	20,346	20,656	28,114	20,349	61,377
185,834	0,204	0,695	1,330	0,167	0,013	0,277	1,538	98,446	19,956	26,152	22,329	20,839	20,340	20,647	28,125	20,349	61,212
186,167	0,204	0,687	1,337	0,165	0,011	0,284	1,536	98,438	19,984	26,159	22,336	20,893	20,331	20,645	28,153	20,351	61,153
186,500	0,203	0,672	1,334	0,164	0,011	0,296	1,536	98,370	19,992	26,167	22,335	20,940	20,330	20,645	28,171	20,352	61,143
186,834	0,203	0,670	1,332	0,164	0,015	0,298	1,536	98,383	19,945	26,152	22,322	20,980	20,318	20,647	28,177	20,348	61,093
187,167	0,204	0,680	1,335	0,166	0,015	0,290	1,536	98,421	19,975	26,130	22,323	21,005	20,318	20,655	28,197	20,351	61,202
187,500	0,204	0,678	1,332	0,165	0,023	0,291	1,534	98,470	19,995	26,089	22,319	21,023	20,331	20,658	28,226	20,351	61,282
187,833	0,203	0,690	1,329	0,165	0,021	0,281	1,535	98,420	19,998	26,069	22,320	21,030	20,316	20,664	28,243	20,350	61,181
188,167	0,202	0,699	1,329	0,164	0,014	0,272	1,534	98,361	19,963	26,091	22,314	21,042	20,316	20,673	28,258	20,350	61,310
188,500	0,202	0,690	1,332	0,168	0,019	0,281	1,533	98,341	19,966	26,190	22,327	21,073	20,320	20,669	28,272	20,353	61,315
188,833	0,201	0,680	1,332	0,167	0,018	0,290	1,532	98,360	19,970	26,183	22,329	21,090	20,332	20,672	28,300	20,355	61,175
189,167	0,201	0,668	1,335	0,167	0,016	0,301	1,533	98,338	19,995	26,106	22,328	21,096	20,314	20,666	28,322	20,353	61,222
189,500	0,201	0,663	1,341	0,167	0,019	0,304	1,531	98,336	20,004	26,103	22,319	21,118	20,320	20,679	28,331	20,353	61,225
189,833	0,201	0,673	1,330	0,168	0,021	0,296	1,531	98,316	19,996	26,169	22,329	21,127	20,318	20,670	28,355	20,353	61,264
190,167	0,201	0,682	1,332	0,162	0,015	0,288	1,531	98,321	19,983	26,122	22,319	21,124	20,314	20,679	28,378	20,353	61,227
190,500	0,201	0,683	1,343	0,162	0,010	0,287	1,531	98,335	19,996	26,217	22,336	21,149	20,318	20,678	28,398	20,351	61,257
190,833	0,201	0,687	1,332	0,166	0,015	0,284	1,529	98,354	20,043	26,172	22,322	21,153	20,312	20,687	28,420	20,354	61,179
191,167	0,201	0,690	1,337	0,167	0,011	0,281	1,531	98,338	19,991	26,166	22,317	21,162	20,303	20,689	28,436	20,355	61,159
191,500	0,201	0,676	1,334	0,165	0,025	0,293	1,529	98,339	19,948	26,192	22,327	21,174	20,309	20,682	28,436	20,353	61,127
191,834	0,201	0,677	1,320	0,167	0,015	0,293	1,528	98,363	19,992	26,177	22,325	21,171	20,316	20,690	28,460	20,355	61,328
192,167	0,201	0,682	1,326	0,165	0,019	0,287	1,528	98,339	19,964	26,215	22,317	21,201	20,316	20,692	28,490	20,354	61,202
192,500	0,201	0,684	1,320	0,167	0,020	0,286	1,528	98,337	19,936	26,271	22,332	21,211	20,320	20,692	28,503	20,356	61,186
192,834	0,201	0,685	1,331	0,166	0,023	0,285	1,527	98,327	19,859	26,190	22,325	21,219	20,318	20,700	28,519	20,358	61,370
193,167	0,201	0,682	1,337	0,167	0,022	0,288	1,527	98,300	19,919	26,206	22,317	21,224	20,316	20,706	28,540	20,357	61,262
193,500	0,201	0,688	1,339	0,165	0,014	0,282	1,526	98,308	19,951	26,207	22,339	21,237	20,309	20,701	28,556	20,355	61,241
193,834	0,201	0,693	1,325	0,167	0,013	0,277	1,526	98,301	19,961	26,203	22,323	21,244	20,314	20,705	28,564	20,357	61,219
194,167	0,201	0,696	1,317	0,163	0,011	0,276	1,526	98,318	19,899	26,230	22,313	21,250	20,314	20,704	28,587	20,355	61,180
194,500	0,201	0,693	1,325	0,167	0,010	0,279	1,524	98,358	19,931	26,236	22,316	21,264	20,317	20,708	28,607	20,356	61,249
194,833	0,201	0,690	1,341	0,164	0,014	0,282	1,524	98,380	19,931	26,149	22,319	21,267	20,313	20,715	28,618	20,357	61,271
195,167	0,201	0,693	1,341	0,164	0,019	0,279	1,524	98,410	19,942	26,186	22,325	21,277	20,322	20,719	28,635	20,359	61,234
195,500	0,201	0,706	1,332	0,164	0,012	0,267	1,524	98,393	20,006	26,197	22,317	21,287	20,319	20,715	28,639	20,358	61,167
195,833	0,201	0,720	1,333	0,165	0,016	0,255	1,523	98,424	19,940	26,248	22,326	21,293	20,318	20,729	28,652	20,361	61,243
196,167	0,201	0,713	1,340	0,164	0,022	0,261	1,523	98,399	19,963	26,181	22,315	21,296	20,326	20,737	28,665	20,362	61,231

Pellematic 56_cat III_run 1_191210.Dat

Category: III

	1103	1108	1109	130	230	101	102	1	2	3	6	7	8	11	
Mättid	T3 inlet load side	T2 inlet boiler	T1 outlet boiler	Flow load side	Flow boiler side	Heat output load side	Heat output boiler	CO chimney	CO2 chimney	O2 chimney	Pstat	Pdyn	Tunnel velocity	Våg	Tidpunkt
Minuter	°C	°C	°C	m ³ /h	m ³ /h	W	W	ppm	%	%	Pa	Pa	m/s	kg	Klockan
184,167	43,301	57,038	77,282	1,228	1,069	25405,912	24777,074	18,398	12,745	7,953	6,520	53,420	9,436	971,164	2019-12-10 15:28
184,500	43,337	57,039	77,265	1,228	1,068	25299,470	24730,080	17,211	12,616	8,014	6,637	53,270	9,422	971,164	2019-12-10 15:29
184,834	43,367	57,049	77,251	1,228	1,067	25365,739	24694,188	16,727	12,252	8,298	6,681	53,621	9,453	971,164	2019-12-10 15:29
185,167	43,359	57,064	77,295	1,227	1,070	25297,137	24793,220	13,051	12,018	8,629	6,621	53,220	9,418	971,070	2019-12-10 15:29
185,500	43,280	57,092	77,323	1,227	1,070	25563,000	24796,846	13,446	12,244	8,478	6,506	53,293	9,425	971,070	2019-12-10 15:30
185,834	43,134	57,099	77,309	1,228	1,070	25546,276	24757,254	12,106	12,345	8,305	6,685	53,233	9,419	971,070	2019-12-10 15:30
186,167	42,999	57,081	77,347	1,227	1,070	25627,729	24824,635	11,518	12,178	8,522	6,590	53,084	9,406	970,978	2019-12-10 15:30
186,500	42,965	57,031	77,254	1,227	1,068	25675,523	24744,932	10,933	11,808	8,887	6,558	53,044	9,403	970,978	2019-12-10 15:31
186,834	43,013	56,966	77,339	1,227	1,068	25537,372	24925,766	12,274	11,720	8,953	6,574	53,378	9,432	970,978	2019-12-10 15:31
187,167	43,068	56,923	77,289	1,226	1,069	25597,874	24942,591	12,447	12,089	8,689	6,646	53,235	9,419	970,978	2019-12-10 15:31
187,500	43,094	56,918	77,320	1,226	1,068	25669,318	24954,357	11,945	11,996	8,715	6,608	53,473	9,440	970,851	2019-12-10 15:32
187,833	43,089	56,931	77,312	1,228	1,070	25564,582	24987,512	9,342	12,288	8,423	6,581	53,395	9,434	970,978	2019-12-10 15:32
188,167	43,068	56,939	77,233	1,227	1,068	25761,193	24824,703	7,412	12,485	8,167	6,545	53,211	9,417	970,852	2019-12-10 15:32
188,500	43,048	56,917	77,226	1,226	1,069	25787,019	24867,035	7,163	12,190	8,426	6,716	53,379	9,432	970,761	2019-12-10 15:33
188,833	43,036	56,892	77,201	1,226	1,068	25606,296	24852,524	6,824	11,884	8,686	6,684	53,164	9,413	970,757	2019-12-10 15:33
189,167	43,025	56,869	77,231	1,228	1,069	25723,763	24921,029	6,817	11,636	9,015	6,682	53,668	9,458	970,756	2019-12-10 15:33
189,500	43,040	56,852	77,266	1,228	1,071	25699,055	25034,731	6,649	11,621	9,130	6,699	53,708	9,461	970,664	2019-12-10 15:34
189,833	43,048	56,839	77,164	1,227	1,069	25724,238	24876,916	6,572	11,882	8,880	6,710	53,103	9,408	970,664	2019-12-10 15:34
190,167	43,035	56,821	77,185	1,226	1,068	25664,086	24910,369	6,735	12,083	8,635	6,473	53,348	9,429	970,663	2019-12-10 15:34
190,500	43,012	56,814	77,172	1,227	1,070	25773,407	24960,457	6,736	12,142	8,613	6,466	53,754	9,465	970,664	2019-12-10 15:35
190,833	42,996	56,808	77,149	1,228	1,069	25704,319	24916,742	6,400	12,201	8,508	6,656	53,363	9,431	970,570	2019-12-10 15:35
191,167	42,983	56,787	77,119	1,226	1,067	25652,815	24847,247	6,394	12,219	8,427	6,683	53,551	9,447	970,664	2019-12-10 15:35
191,500	42,995	56,762	77,085	1,227	1,070	25604,534	24914,996	5,986	11,858	8,788	6,602	53,584	9,450	970,569	2019-12-10 15:36
191,834	43,028	56,751	77,008	1,227	1,071	25843,530	24858,724	5,813	11,945	8,777	6,665	52,585	9,362	970,478	2019-12-10 15:36
192,167	43,055	56,727	77,037	1,227	1,069	25620,585	24861,271	6,154	12,068	8,602	6,617	53,162	9,413	970,479	2019-12-10 15:36
192,500	43,048	56,703	76,998	1,228	1,069	25632,568	24847,798	5,974	12,131	8,571	6,683	52,944	9,394	970,478	2019-12-10 15:37
192,834	43,032	56,690	77,016	1,226	1,068	25884,303	24871,516	5,827	12,090	8,562	6,649	53,485	9,442	970,352	2019-12-10 15:37
193,167	43,023	56,656	76,969	1,227	1,069	25766,797	24877,124	5,305	12,087	8,625	6,663	53,537	9,446	970,352	2019-12-10 15:37
193,500	43,038	56,613	76,990	1,227	1,069	25711,847	24942,894	5,312	12,272	8,471	6,613	53,500	9,443	970,352	2019-12-10 15:38
193,834	43,066	56,586	76,932	1,227	1,069	25638,285	24904,735	5,306	12,330	8,322	6,681	52,732	9,375	970,353	2019-12-10 15:38
194,167	43,088	56,570	76,932	1,227	1,068	25547,553	24916,907	5,024	12,410	8,269	6,527	52,684	9,370	970,257	2019-12-10 15:38
194,500	43,074	56,561	76,902	1,226	1,070	25649,404	24922,590	4,886	12,323	8,361	6,685	53,177	9,414	970,257	2019-12-10 15:39
194,833	43,044	56,560	76,917	1,228	1,067	25758,811	24874,935	4,632	12,185	8,461	6,579	53,940	9,482	970,257	2019-12-10 15:39
195,167	43,061	56,551	76,841	1,227	1,067	25666,388	24806,917	5,309	12,422	8,360	6,576	53,761	9,466	970,258	2019-12-10 15:39
195,500	43,129	56,536	76,827	1,227	1,070	25475,458	24859,192	5,642	12,760	8,009	6,573	53,247	9,420	970,258	2019-12-10 15:40
195,833	43,191	56,541	76,825	1,226	1,069	25463,779	24830,302	5,139	13,041	7,637	6,593	53,223	9,418	970,164	2019-12-10 15:40
196,167	43,234	56,558	76,783	1,226	1,068	25404,042	24748,626	5,142	12,700	7,826	6,553	53,787	9,468	970,164	2019-12-10 15:40

Pellematic 56_cat III_run 1_191210.Dat

Category: III

	301	302	304	305	306	308	317	1311	1312	1313	1314	1315	1316	1317	1318	1101	1102
Mättid	CO chimney	CO2 chimney	Pdyn	Pstat	Static pressure chimney	O2 chimney	Våg	Flue gas temp	Ambient	Flue gas at pitot	filter temp 1	filter temp 2	gas meter temp 1	gas meter temp 2	gasmeter temp ambient		T4 outlet load side
Minuter	VDC	VDC	VDC	VDC	VDC	VDC	VDC	°C	°C	°C	°C	°C	°C	°C	°C	°C	°C
196,500	0,201	0,700	1,352	0,167	0,021	0,271	1,523	98,387	19,990	26,110	22,323	21,299	20,321	20,738	28,670	20,361	61,271
196,833	0,200	0,692	1,332	0,166	0,021	0,280	1,521	98,382	19,997	26,139	22,314	21,314	20,322	20,729	28,689	20,362	61,220
197,167	0,200	0,680	1,338	0,166	0,018	0,290	1,521	98,320	19,961	26,166	22,313	21,307	20,323	20,731	28,708	20,361	61,189
197,500	0,200	0,683	1,336	0,165	0,007	0,287	1,520	98,332	19,870	26,124	22,300	21,315	20,322	20,723	28,711	20,360	61,234
197,833	0,201	0,685	1,325	0,164	0,014	0,286	1,521	98,295	19,896	26,170	22,309	21,325	20,319	20,733	28,730	20,362	61,227
198,167	0,201	0,676	1,331	0,168	0,009	0,293	1,520	98,294	19,938	26,170	22,312	21,327	20,326	20,734	28,746	20,362	61,255
198,500	0,201	0,659	1,342	0,168	0,015	0,308	1,521	98,250	19,967	26,080	22,321	21,330	20,315	20,740	28,762	20,362	61,283
198,834	0,201	0,656	1,334	0,167	0,021	0,310	1,520	98,259	20,011	26,207	22,325	21,354	20,320	20,746	28,759	20,362	61,294
199,167	0,201	0,653	1,339	0,165	0,022	0,312	1,519	98,266	20,013	26,209	22,327	21,348	20,313	20,747	28,757	20,362	61,139
199,500	0,201	0,658	1,333	0,165	0,016	0,309	1,518	98,247	20,010	26,215	22,328	21,356	20,319	20,747	28,784	20,363	61,189
199,834	0,201	0,673	1,336	0,166	0,011	0,297	1,518	98,238	20,016	26,259	22,333	21,368	20,322	20,754	28,801	20,365	61,135
200,167	0,201	0,683	1,339	0,166	0,018	0,287	1,518	98,265	19,971	26,285	22,351	21,384	20,334	20,751	28,823	20,368	61,039
200,500	0,200	0,691	1,334	0,163	0,011	0,281	1,516	98,215	19,997	26,227	22,347	21,382	20,332	20,750	28,835	20,365	61,182
200,834	0,201	0,683	1,335	0,168	0,010	0,287	1,516	98,191	19,991	26,180	22,331	21,388	20,326	20,759	28,856	20,366	61,261
201,167	0,201	0,695	1,319	0,165	0,018	0,277	1,516	98,209	19,970	26,164	22,333	21,384	20,319	20,757	28,888	20,368	61,196
201,500	0,201	0,702	1,320	0,166	0,011	0,270	1,515	98,202	19,907	26,177	22,336	21,389	20,328	20,768	28,890	20,367	61,294
201,833	0,201	0,705	1,335	0,165	0,009	0,268	1,515	98,210	20,002	26,188	22,336	21,395	20,325	20,765	28,899	20,366	61,127
202,167	0,201	0,708	1,330	0,163	0,010	0,265	1,514	98,215	19,997	26,292	22,342	21,410	20,325	20,763	28,914	20,366	61,239
202,500	0,200	0,693	1,315	0,166	0,008	0,278	1,514	98,213	19,959	26,240	22,331	21,411	20,317	20,768	28,925	20,366	61,239
202,833	0,201	0,676	1,335	0,166	0,014	0,293	1,513	98,190	19,917	26,200	22,329	21,416	20,328	20,772	28,915	20,368	61,264
203,167	0,201	0,663	1,336	0,166	0,014	0,304	1,513	98,150	19,944	26,096	22,326	21,411	20,326	20,783	28,931	20,369	61,245
203,500	0,201	0,662	1,335	0,169	0,017	0,305	1,512	98,089	19,977	26,102	22,321	21,413	20,335	20,779	28,931	20,370	61,195
203,833	0,201	0,662	1,315	0,169	0,018	0,306	1,512	98,080	19,977	26,109	22,307	21,414	20,336	20,780	28,940	20,369	61,243
204,167	0,201	0,660	1,337	0,165	0,014	0,308	1,512	98,094	19,976	26,174	22,311	21,424	20,332	20,780	28,965	20,370	61,221
204,500	0,201	0,668	1,343	0,163	0,018	0,299	1,512	98,036	19,987	26,184	22,314	21,431	20,343	20,785	28,964	20,370	61,255
204,833	0,201	0,665	1,336	0,169	0,017	0,303	1,512	97,987	19,974	26,225	22,319	21,439	20,342	20,790	28,978	20,371	61,237
205,167	0,201	0,660	1,341	0,165	0,019	0,307	1,510	97,946	19,990	26,174	22,322	21,443	20,334	20,788	28,985	20,372	61,165
205,500	0,201	0,662	1,338	0,165	0,014	0,305	1,511	97,926	20,000	26,165	22,325	21,438	20,336	20,779	28,982	20,370	61,047
205,834	0,201	0,661	1,342	0,166	0,011	0,306	1,509	97,912	20,014	26,126	22,314	21,450	20,327	20,783	28,999	20,370	61,179
206,167	0,201	0,657	1,329	0,171	0,015	0,310	1,509	97,901	20,010	26,196	22,311	21,452	20,328	20,791	28,995	20,370	61,175
206,500	0,201	0,649	1,341	0,165	0,015	0,316	1,509	97,873	20,001	26,108	22,309	21,446	20,325	20,790	29,018	20,372	61,312
206,834	0,201	0,644	1,336	0,165	0,019	0,320	1,509	97,881	20,015	26,189	22,312	21,455	20,334	20,802	29,027	20,374	61,325
207,167	0,201	0,663	1,343	0,164	0,017	0,303	1,508	97,852	19,966	26,169	22,309	21,452	20,327	20,793	29,006	20,372	61,259
207,500	0,201	0,676	1,327	0,166	0,021	0,293	1,508	97,855	19,822	26,148	22,309	21,464	20,322	20,804	29,007	20,374	61,203
207,834	0,202	0,677	1,339	0,166	0,024	0,292	1,507	97,838	19,894	26,183	22,302	21,456	20,330	20,815	29,030	20,374	61,197
208,167	0,202	0,678	1,332	0,165	0,018	0,290	1,507	97,853	19,920	26,191	22,296	21,457	20,332	20,814	29,029	20,374	61,081
208,500	0,202	0,679	1,336	0,164	0,018	0,289	1,506	97,835	19,943	26,204	22,305	21,451	20,330	20,821	29,022	20,374	61,171

Pellematic 56_cat III_run 1_191210.Dat

Category: III

	1103	1108	1109	130	230	101	102	1	2	3	6	7	8	11	
Mättid	T3 inlet load side	T2 inlet boiler	T1 outlet boiler	Flow load side	Flow boiler side	Heat output load side	Heat output boiler	CO chimney	CO2 chimney	O2 chimney	Pstat	Pdyn	Tunnel velocity	Våg	Tidpunkt
Minuter	°C	°C	°C	m ³ /h	m ³ /h	W	W	ppm	%	%	Pa	Pa	m/s	kg	Klockan
196,500	43,250	56,567	76,832	1,226	1,067	25420,133	24768,984	4,551	12,482	8,141	6,680	54,048	9,491	970,164	2019-12-10 15:41
196,833	43,249	56,584	76,827	1,227	1,068	25383,561	24755,716	4,057	12,183	8,392	6,659	53,368	9,431	970,069	2019-12-10 15:41
197,167	43,231	56,585	76,804	1,228	1,067	25376,168	24719,862	4,383	11,995	8,702	6,625	53,642	9,455	970,070	2019-12-10 15:41
197,500	43,204	56,582	76,797	1,227	1,068	25459,091	24729,585	4,429	12,105	8,622	6,618	53,130	9,410	969,978	2019-12-10 15:42
197,833	43,189	56,572	76,796	1,226	1,068	25447,308	24743,192	4,886	12,101	8,568	6,572	53,026	9,401	970,070	2019-12-10 15:42
198,167	43,189	56,566	76,725	1,226	1,068	25500,684	24655,218	5,312	11,818	8,805	6,710	53,261	9,422	969,977	2019-12-10 15:42
198,500	43,187	56,560	76,628	1,226	1,068	25537,237	24554,157	5,309	11,378	9,236	6,740	53,656	9,457	970,070	2019-12-10 15:43
198,834	43,165	56,547	76,662	1,227	1,068	25598,738	24598,594	5,142	11,389	9,303	6,678	53,785	9,468	969,978	2019-12-10 15:43
199,167	43,139	56,527	76,646	1,227	1,067	25413,887	24598,300	5,560	11,343	9,372	6,588	53,260	9,422	969,978	2019-12-10 15:43
199,500	43,102	56,498	76,603	1,226	1,069	25526,467	24617,366	5,139	11,481	9,277	6,586	53,208	9,417	969,852	2019-12-10 15:44
199,834	43,058	56,480	76,548	1,227	1,070	25525,144	24587,175	4,811	11,938	8,899	6,623	53,340	9,429	969,852	2019-12-10 15:44
200,167	43,029	56,466	76,573	1,226	1,068	25416,917	24605,024	4,807	12,191	8,603	6,630	53,444	9,438	969,852	2019-12-10 15:44
200,500	43,010	56,431	76,554	1,227	1,070	25654,031	24671,309	4,389	12,204	8,445	6,505	53,493	9,442	969,758	2019-12-10 15:45
200,834	43,024	56,376	76,520	1,226	1,068	25737,463	24648,424	4,604	12,116	8,613	6,710	53,253	9,421	969,757	2019-12-10 15:45
201,167	43,107	56,286	76,504	1,227	1,068	25536,813	24746,331	4,640	12,404	8,300	6,612	52,664	9,369	969,758	2019-12-10 15:45
201,500	43,226	56,237	76,421	1,227	1,069	25518,651	24710,020	5,063	12,545	8,098	6,639	52,981	9,397	969,664	2019-12-10 15:46
201,833	43,307	56,226	76,457	1,228	1,070	25188,495	24789,351	5,143	12,707	8,030	6,598	53,343	9,429	969,664	2019-12-10 15:46
202,167	43,319	56,254	76,444	1,227	1,068	25295,806	24701,299	4,304	12,681	7,954	6,525	52,920	9,392	969,665	2019-12-10 15:46
202,500	43,293	56,271	76,420	1,227	1,067	25344,999	24635,554	4,480	12,192	8,353	6,626	52,488	9,353	969,664	2019-12-10 15:47
202,833	43,280	56,279	76,385	1,227	1,068	25390,292	24605,139	4,892	11,837	8,800	6,652	53,480	9,441	969,571	2019-12-10 15:47
203,167	43,284	56,289	76,370	1,227	1,069	25368,893	24586,355	4,884	11,508	9,132	6,656	53,626	9,454	969,570	2019-12-10 15:47
203,500	43,292	56,286	76,410	1,227	1,070	25271,633	24668,149	5,225	11,503	9,156	6,744	53,308	9,426	969,479	2019-12-10 15:48
203,833	43,291	56,282	76,327	1,226	1,069	25332,073	24552,992	5,665	11,602	9,179	6,745	52,616	9,364	969,570	2019-12-10 15:48
204,167	43,287	56,280	76,361	1,226	1,068	25306,932	24575,905	5,802	11,400	9,230	6,589	53,618	9,453	969,480	2019-12-10 15:48
204,500	43,300	56,270	76,271	1,226	1,068	25334,904	24474,305	5,563	11,802	8,983	6,536	53,777	9,467	969,479	2019-12-10 15:49
204,833	43,339	56,253	76,291	1,228	1,069	25289,683	24541,944	6,041	11,549	9,092	6,769	53,243	9,420	969,479	2019-12-10 15:49
205,167	43,334	56,249	76,255	1,225	1,068	25141,260	24471,704	6,622	11,493	9,195	6,616	53,459	9,439	969,355	2019-12-10 15:49
205,500	43,297	56,243	76,200	1,225	1,069	25033,669	24451,096	6,236	11,605	9,145	6,604	53,562	9,448	969,479	2019-12-10 15:50
205,834	43,262	56,245	76,130	1,226	1,070	25284,236	24373,299	7,157	11,499	9,184	6,658	53,234	9,419	969,355	2019-12-10 15:50
206,167	43,237	56,237	76,115	1,227	1,072	25334,522	24407,367	6,404	11,341	9,293	6,851	53,353	9,430	969,262	2019-12-10 15:50
206,500	43,228	56,219	76,109	1,227	1,072	25535,208	24428,890	6,742	11,257	9,490	6,595	53,369	9,431	969,355	2019-12-10 15:51
206,834	43,220	56,192	76,013	1,227	1,070	25567,866	24307,021	6,660	11,138	9,609	6,602	53,649	9,456	969,261	2019-12-10 15:51
207,167	43,225	56,105	76,003	1,227	1,071	25467,140	24422,575	6,315	11,734	9,095	6,564	53,694	9,460	969,261	2019-12-10 15:51
207,500	43,225	56,044	75,979	1,227	1,072	25380,131	24487,079	6,739	11,976	8,792	6,630	52,995	9,398	969,261	2019-12-10 15:52
207,834	43,222	56,003	75,928	1,226	1,070	25372,210	24415,213	7,485	11,932	8,757	6,630	53,686	9,459	969,167	2019-12-10 15:52
208,167	43,223	55,973	75,873	1,227	1,071	25215,922	24409,650	8,168	11,948	8,706	6,614	53,393	9,433	969,166	2019-12-10 15:52
208,500	43,204	55,950	75,874	1,227	1,072	25373,560	24467,592	8,166	12,037	8,675	6,560	53,660	9,457	969,073	2019-12-10 15:53

Pellematic 56_cat III_run 1_191210.Dat

Category: III

	301	302	304	305	306	308	317	1311	1312	1313	1314	1315	1316	1317	1318	1101	1102
Mättid	CO chimney	CO2 chimney	Pdyn	Pstat	Static pressure chimney	O2 chimney	Våg	Flue gas temp	Ambient	Flue gas at pitot	filter temp 1	filter temp 2	gas meter temp 1	gas meter temp 2	gasmeter temp ambient		T4 outlet load side
Minuter	VDC	VDC	VDC	VDC	VDC	VDC	VDC	°C	°C	°C	°C	°C	°C	°C	°C	°C	°C
208,833	0,202	0,681	1,331	0,163	0,018	0,288	1,507	97,814	19,955	26,170	22,303	21,463	20,328	20,820	29,041	20,374	61,212
209,167	0,202	0,701	1,331	0,161	0,019	0,271	1,505	97,780	19,918	26,104	22,309	21,463	20,336	20,818	29,045	20,373	61,228
209,500	0,202	0,696	1,332	0,165	0,016	0,276	1,505	97,751	19,930	26,178	22,313	21,481	20,328	20,825	29,051	20,375	61,143
209,833	0,202	0,691	1,333	0,167	0,013	0,280	1,507	97,758	19,930	26,167	22,313	21,469	20,326	20,827	29,062	20,375	61,241
210,167	0,202	0,691	1,327	0,167	0,022	0,280	1,504	97,771	19,922	26,127	22,296	21,467	20,336	20,819	29,080	20,376	61,269
210,500	0,202	0,686	1,340	0,169	0,020	0,284	1,504	97,755	19,882	26,106	22,303	21,477	20,328	20,824	29,088	20,377	61,141
210,833	0,202	0,676	1,342	0,164	0,016	0,293	1,504	97,714	19,873	26,120	22,291	21,473	20,326	20,825	29,112	20,376	61,255
211,167	0,201	0,658	1,338	0,165	0,015	0,308	1,504	97,691	19,889	26,114	22,290	21,481	20,325	20,834	29,106	20,377	61,169
211,500	0,201	0,648	1,335	0,164	0,012	0,319	1,503	97,654	19,864	26,144	22,290	21,476	20,325	20,825	29,118	20,378	61,249
211,834	0,202	0,651	1,343	0,165	0,010	0,315	1,504	97,614	19,871	26,036	22,283	21,475	20,332	20,832	29,121	20,379	61,107
212,167	0,201	0,654	1,325	0,166	0,017	0,313	1,501	97,563	19,883	26,077	22,277	21,472	20,331	20,833	29,142	20,379	61,299
212,500	0,201	0,649	1,333	0,165	0,015	0,316	1,501	97,575	19,796	26,139	22,272	21,487	20,327	20,833	29,134	20,379	61,272
212,834	0,201	0,652	1,335	0,165	0,019	0,314	1,501	97,554	19,843	26,179	22,283	21,480	20,337	20,840	29,152	20,381	61,147
213,167	0,201	0,661	1,327	0,165	0,023	0,306	1,501	97,530	19,866	26,109	22,289	21,486	20,333	20,840	29,155	20,379	61,236
213,500	0,201	0,670	1,315	0,168	0,019	0,298	1,500	97,488	19,915	26,054	22,277	21,485	20,321	20,845	29,169	20,379	61,235
213,834	0,201	0,676	1,328	0,165	0,015	0,293	1,500	97,461	19,909	26,100	22,277	21,491	20,323	20,844	29,187	20,378	61,203
214,167	0,201	0,669	1,338	0,166	0,011	0,299	1,499	97,453	19,924	26,081	22,272	21,487	20,329	20,851	29,198	20,381	61,285
214,500	0,201	0,663	1,326	0,167	0,011	0,304	1,499	97,445	19,892	26,143	22,270	21,490	20,321	20,848	29,218	20,380	61,140
214,833	0,201	0,663	1,335	0,164	0,017	0,305	1,498	97,427	19,868	26,134	22,264	21,490	20,330	20,840	29,226	20,380	61,165
215,167	0,201	0,656	1,335	0,165	0,021	0,310	1,498	97,383	19,878	26,100	22,263	21,487	20,333	20,851	29,224	20,380	61,167
215,500	0,201	0,653	1,322	0,166	0,015	0,313	1,498	97,386	19,882	26,102	22,268	21,474	20,325	20,842	29,217	20,380	61,132
215,833	0,201	0,653	1,327	0,168	0,017	0,313	1,497	97,370	19,905	26,091	22,258	21,498	20,318	20,852	29,218	20,380	61,072
216,167	0,201	0,660	1,343	0,168	0,017	0,306	1,496	97,349	19,927	26,009	22,268	21,494	20,324	20,852	29,215	20,379	61,278
216,500	0,201	0,664	1,337	0,166	0,014	0,304	1,496	97,304	19,930	26,005	22,273	21,492	20,322	20,856	29,243	20,380	61,263
216,833	0,201	0,661	1,340	0,164	0,016	0,306	1,496	97,298	19,990	25,956	22,266	21,490	20,329	20,852	29,261	20,381	61,280
217,167	0,201	0,667	1,337	0,166	0,017	0,300	1,496	97,274	19,962	25,969	22,268	21,503	20,329	20,855	29,290	20,380	61,272
217,500	0,201	0,668	1,341	0,164	0,016	0,300	1,496	97,231	19,951	25,889	22,259	21,501	20,322	20,856	29,297	20,381	61,304
217,833	0,201	0,666	1,332	0,166	0,012	0,301	1,495	97,207	19,928	25,932	22,260	21,499	20,327	20,849	29,324	20,380	61,215
218,167	0,201	0,671	1,328	0,166	0,016	0,297	1,494	97,222	19,940	25,957	22,266	21,498	20,333	20,852	29,341	20,382	61,300
218,500	0,201	0,669	1,334	0,165	0,018	0,299	1,493	97,207	19,970	25,917	22,262	21,488	20,344	20,852	29,373	20,381	61,313
218,834	0,201	0,664	1,331	0,163	0,019	0,303	1,493	97,175	19,963	25,912	22,267	21,504	20,340	20,848	29,403	20,382	61,213
219,167	0,201	0,660	1,346	0,166	0,013	0,306	1,492	97,136	19,939	25,973	22,271	21,509	20,331	20,850	29,408	20,380	61,231
219,500	0,202	0,662	1,346	0,165	0,020	0,305	1,493	97,134	19,896	25,960	22,266	21,504	20,325	20,850	29,415	20,381	61,086
219,834	0,203	0,663	1,340	0,164	0,019	0,304	1,492	97,138	19,930	25,912	22,264	21,511	20,338	20,843	29,439	20,381	61,045
220,167	0,203	0,672	1,333	0,166	0,016	0,296	1,491	97,108	19,979	25,884	22,261	21,505	20,337	20,857	29,454	20,380	61,027
220,500	0,203	0,661	1,339	0,162	0,017	0,306	1,491	97,106	19,981	25,872	22,259	21,514	20,338	20,869	29,448	20,380	61,039
220,834	0,203	0,659	1,336	0,165	0,020	0,307	1,491	97,090	19,930	25,854	22,250	21,508	20,340	20,859	29,473	20,382	61,069

Pellematic 56_cat III_run 1_191210.Dat

Category: III

	1103	1108	1109	130	230	101	102	1	2	3	6	7	8	11	
Mättid	T3 inlet load side	T2 inlet boiler	T1 outlet boiler	Flow load side	Flow boiler side	Heat output load side	Heat output boiler	CO chimney	CO2 chimney	O2 chimney	Pstat	Pdyn	Tunnel velocity	Våg	Tidpunkt
Minuter	°C	°C	°C	m ³ /h	m ³ /h	W	W	ppm	%	%	Pa	Pa	m/s	kg	Klockan
208,833	43,173	55,931	75,832	1,228	1,072	25498,785	24446,520	9,335	12,033	8,633	6,521	53,059	9,404	969,167	2019-12-10 15:53
209,167	43,143	55,898	75,840	1,226	1,071	25521,221	24475,685	9,004	12,542	8,128	6,422	53,241	9,420	969,073	2019-12-10 15:53
209,500	43,133	55,842	75,820	1,225	1,071	25397,100	24513,686	8,170	12,344	8,273	6,590	53,443	9,438	969,072	2019-12-10 15:54
209,833	43,160	55,779	75,778	1,227	1,072	25523,577	24565,298	8,081	12,224	8,397	6,677	53,447	9,438	969,167	2019-12-10 15:54
210,167	43,195	55,740	75,737	1,227	1,071	25513,571	24548,368	7,669	12,277	8,408	6,687	53,449	9,438	968,981	2019-12-10 15:54
210,500	43,203	55,690	75,678	1,225	1,071	25295,041	24526,301	7,330	12,148	8,512	6,756	53,723	9,462	968,977	2019-12-10 15:55
210,833	43,188	55,675	75,726	1,227	1,071	25520,536	24614,682	7,236	11,789	8,794	6,566	53,851	9,474	968,981	2019-12-10 15:55
211,167	43,185	55,661	75,693	1,227	1,070	25385,954	24549,785	6,822	11,346	9,255	6,589	53,389	9,433	968,981	2019-12-10 15:55
211,500	43,209	55,627	75,697	1,226	1,068	25464,201	24555,213	7,011	11,149	9,555	6,564	53,352	9,430	968,981	2019-12-10 15:56
211,834	43,242	55,604	75,629	1,226	1,070	25218,115	24548,938	7,410	11,323	9,448	6,612	53,564	9,448	968,980	2019-12-10 15:56
212,167	43,262	55,606	75,583	1,226	1,071	25457,834	24514,692	6,655	11,271	9,375	6,643	53,142	9,411	968,761	2019-12-10 15:56
212,500	43,276	55,587	75,536	1,226	1,070	25394,092	24455,468	6,578	11,304	9,493	6,591	53,189	9,415	968,854	2019-12-10 15:57
212,834	43,277	55,549	75,556	1,226	1,071	25216,267	24558,891	6,407	11,333	9,408	6,589	53,444	9,438	968,760	2019-12-10 15:57
213,167	43,270	55,547	75,484	1,225	1,072	25334,229	24488,148	6,573	11,662	9,175	6,590	53,077	9,405	968,761	2019-12-10 15:57
213,500	43,260	55,534	75,398	1,227	1,070	25388,797	24346,172	6,480	11,736	8,948	6,720	52,391	9,344	968,760	2019-12-10 15:58
213,834	43,245	55,517	75,377	1,227	1,068	25361,310	24310,386	6,575	11,911	8,798	6,583	53,415	9,435	968,760	2019-12-10 15:58
214,167	43,231	55,466	75,359	1,227	1,069	25499,038	24371,475	6,575	11,713	8,973	6,632	53,302	9,425	968,666	2019-12-10 15:58
214,500	43,207	55,381	75,350	1,226	1,066	25301,775	24397,888	6,390	11,508	9,134	6,682	53,065	9,404	968,667	2019-12-10 15:59
214,833	43,191	55,319	75,274	1,225	1,067	25339,859	24403,174	6,312	11,562	9,136	6,567	53,516	9,444	968,572	2019-12-10 15:59
215,167	43,195	55,279	75,271	1,227	1,070	25375,998	24507,099	6,148	11,332	9,311	6,592	53,063	9,404	968,666	2019-12-10 15:59
215,500	43,220	55,256	75,184	1,225	1,068	25256,449	24394,200	5,471	11,389	9,399	6,654	52,884	9,388	968,573	2019-12-10 16:00
215,833	43,264	55,239	75,173	1,227	1,070	25146,167	24436,775	5,567	11,345	9,375	6,707	52,826	9,383	968,573	2019-12-10 16:00
216,167	43,307	55,211	75,129	1,227	1,068	25376,403	24390,316	5,395	11,534	9,191	6,730	54,030	9,490	968,481	2019-12-10 16:00
216,500	43,335	55,162	75,111	1,227	1,069	25314,932	24435,142	6,144	11,590	9,116	6,628	53,471	9,440	968,481	2019-12-10 16:01
216,833	43,404	55,115	75,044	1,227	1,070	25248,974	24444,853	6,315	11,580	9,179	6,565	53,591	9,451	968,481	2019-12-10 16:01
217,167	43,534	55,104	75,029	1,228	1,069	25069,619	24419,358	6,319	11,733	9,014	6,639	53,157	9,413	968,482	2019-12-10 16:01
217,500	43,690	55,120	74,982	1,227	1,066	24876,971	24276,020	6,075	11,665	9,001	6,556	53,687	9,459	968,481	2019-12-10 16:02
217,833	43,788	55,157	74,988	1,228	1,067	24616,547	24252,983	6,403	11,680	9,041	6,653	53,072	9,405	968,481	2019-12-10 16:02
218,167	43,791	55,219	74,939	1,228	1,069	24736,383	24150,546	5,808	11,774	8,911	6,652	53,006	9,399	968,355	2019-12-10 16:02
218,500	43,701	55,270	74,852	1,226	1,068	24856,682	23971,727	5,546	11,690	8,967	6,616	53,275	9,423	968,356	2019-12-10 16:03
218,834	43,541	55,278	74,797	1,226	1,067	24924,081	23876,050	5,380	11,583	9,094	6,514	53,256	9,421	968,261	2019-12-10 16:03
219,167	43,379	55,238	74,785	1,227	1,069	25208,854	23951,194	5,305	11,538	9,191	6,651	54,141	9,499	968,261	2019-12-10 16:03
219,500	43,263	55,167	74,764	1,226	1,067	25148,986	23973,039	8,963	11,566	9,147	6,588	53,427	9,436	968,261	2019-12-10 16:04
219,834	43,208	55,076	74,718	1,226	1,067	25165,288	24023,058	12,445	11,668	9,113	6,571	53,759	9,466	968,228	2019-12-10 16:04
220,167	43,179	54,978	74,679	1,227	1,067	25201,232	24091,873	10,508	11,793	8,865	6,658	52,800	9,381	968,167	2019-12-10 16:04
220,500	43,179	54,900	74,704	1,228	1,068	25250,080	24241,526	10,262	11,443	9,167	6,498	53,631	9,454	968,168	2019-12-10 16:05
220,834	43,183	54,841	74,658	1,227	1,067	25253,033	24230,891	10,352	11,557	9,199	6,601	53,543	9,447	968,167	2019-12-10 16:05

Pellematic 56_cat III_run 1_191210.Dat

Category: III

	301	302	304	305	306	308	317	1311	1312	1313	1314	1315	1316	1317	1318	1101	1102
Mättid	CO chimney	CO2 chimney	Pdyn	Pstat	Static pressure chimney	O2 chimney	Våg	Flue gas temp	Ambient	Flue gas at pitot	filter temp 1	filter temp 2	gas meter temp 1	gas meter temp 2	gasmeter temp ambient		T4 outlet load side
Minuter	VDC	VDC	VDC	VDC	VDC	VDC	VDC	°C	°C	°C	°C	°C	°C	°C	°C	°C	°C
221,167	0,203	0,672	1,343	0,160	0,014	0,296	1,492	97,084	19,933	25,887	22,260	21,515	20,339	20,858	29,481	20,382	61,183
221,500	0,203	0,685	1,335	0,165	0,018	0,285	1,490	97,029	19,921	25,846	22,256	21,507	20,341	20,866	29,497	20,382	61,082
221,833	0,202	0,683	1,337	0,165	0,018	0,287	1,489	97,003	19,951	25,843	22,242	21,508	20,341	20,870	29,498	20,382	61,103
222,167	0,202	0,674	1,339	0,167	0,011	0,295	1,490	96,953	19,943	25,845	22,245	21,507	20,337	20,863	29,504	20,382	61,198
222,500	0,201	0,664	1,332	0,165	0,014	0,304	1,489	96,906	19,991	25,870	22,247	21,507	20,346	20,864	29,519	20,383	61,207
222,833	0,201	0,663	1,346	0,164	0,010	0,303	1,488	96,899	19,960	25,817	22,232	21,508	20,341	20,873	29,542	20,383	61,189
223,167	0,201	0,672	1,352	0,165	0,012	0,296	1,488	96,888	19,973	25,781	22,228	21,500	20,348	20,856	29,541	20,380	61,245
223,500	0,202	0,662	1,333	0,162	0,016	0,305	1,487	96,875	19,941	25,937	22,233	21,510	20,336	20,874	29,572	20,381	61,206
223,833	0,202	0,665	1,328	0,165	0,016	0,302	1,486	96,832	19,953	25,866	22,229	21,511	20,349	20,873	29,567	20,381	61,217
224,167	0,201	0,666	1,340	0,164	0,017	0,301	1,488	96,791	19,978	25,832	22,230	21,496	20,342	20,872	29,590	20,381	61,083
224,500	0,201	0,671	1,337	0,165	0,016	0,297	1,486	96,773	19,989	25,868	22,232	21,498	20,335	20,872	29,604	20,380	61,028
224,833	0,201	0,670	1,332	0,166	0,015	0,298	1,485	96,721	19,965	25,891	22,227	21,508	20,341	20,871	29,621	20,381	61,042
225,167	0,201	0,663	1,327	0,164	0,018	0,304	1,485	96,686	19,969	25,810	22,222	21,498	20,338	20,872	29,622	20,380	61,161
225,500	0,201	0,662	1,344	0,161	0,014	0,305	1,485	96,662	19,949	25,811	22,225	21,499	20,352	20,886	29,635	20,382	61,090
225,834	0,201	0,661	1,337	0,167	0,015	0,306	1,485	96,551	19,898	25,564	22,216	21,503	20,340	20,872	29,661	20,380	61,192
226,167	0,201	0,681	1,352	0,165	0,010	0,289	1,485	96,314	19,906	25,382	22,183	21,481	20,342	20,870	29,671	20,380	61,189
226,500	0,201	0,681	1,352	0,167	0,016	0,289	1,484	96,089	19,907	25,258	22,166	21,467	20,340	20,887	29,669	20,380	61,169
226,834	0,202	0,688	1,339	0,169	0,013	0,283	1,483	95,900	19,946	25,149	22,154	21,455	20,347	20,893	29,655	20,381	61,120
227,167	0,202	0,694	1,337	0,166	0,015	0,278	1,483	95,715	19,936	25,196	22,135	21,454	20,348	20,888	29,644	20,378	61,038
227,500	0,202	0,692	1,332	0,163	0,017	0,280	1,483	95,486	19,941	25,113	22,121	21,455	20,334	20,880	29,633	20,377	61,073
227,834	0,202	0,689	1,328	0,165	0,015	0,282	1,483	95,261	19,918	25,014	22,094	21,439	20,344	20,885	29,642	20,378	61,034
228,167	0,202	0,704	1,328	0,165	0,018	0,268	1,483	95,105	19,914	25,008	22,076	21,435	20,338	20,891	29,657	20,380	61,200
228,500	0,203	0,711	1,337	0,166	0,019	0,263	1,483	94,980	19,855	24,961	22,067	21,428	20,342	20,887	29,649	20,378	61,216
228,833	0,203	0,716	1,340	0,166	0,017	0,259	1,481	94,826	19,873	24,948	22,045	21,407	20,344	20,887	29,654	20,378	61,159
229,167	0,202	0,713	1,344	0,165	0,016	0,261	1,481	94,691	19,862	24,923	22,025	21,422	20,336	20,898	29,656	20,377	61,090
229,500	0,202	0,718	1,349	0,163	0,013	0,256	1,480	94,566	19,856	24,918	22,028	21,412	20,331	20,897	29,664	20,376	61,143
229,833	0,202	0,726	1,342	0,164	0,015	0,249	1,481	94,417	19,916	24,913	22,015	21,409	20,320	20,898	29,655	20,372	61,180
230,167	0,201	0,729	1,337	0,163	0,015	0,247	1,480	94,325	19,907	24,949	22,011	21,411	20,335	20,900	29,673	20,374	61,095
230,500	0,201	0,744	1,341	0,161	0,017	0,233	1,480	94,207	19,911	24,954	22,022	21,415	20,329	20,898	29,665	20,372	61,151
230,833	0,201	0,760	1,339	0,162	0,016	0,219	1,480	94,102	19,884	25,001	22,001	21,409	20,332	20,908	29,681	20,372	61,139
231,167	0,202	0,772	1,344	0,161	0,015	0,208	1,480	94,021	19,933	24,978	22,005	21,404	20,336	20,899	29,675	20,372	61,049
231,500	0,201	0,769	1,334	0,161	0,015	0,212	1,479	93,896	19,926	24,935	22,000	21,383	20,332	20,898	29,690	20,371	61,012
231,833	0,202	0,763	1,341	0,163	0,013	0,217	1,478	93,765	19,927	24,935	22,004	21,381	20,338	20,894	29,680	20,372	61,084
232,167	0,202	0,756	1,338	0,159	0,012	0,222	1,478	93,611	19,990	24,882	21,989	21,391	20,344	20,904	29,692	20,374	60,978
232,500	0,202	0,759	1,344	0,160	0,019	0,220	1,478	93,498	19,958	24,826	21,973	21,385	20,329	20,905	29,707	20,372	60,912
232,834	0,202	0,745	1,349	0,160	0,015	0,234	1,478	93,402	19,960	24,865	21,980	21,377	20,329	20,898	29,710	20,372	60,937
233,167	0,201	0,740	1,336	0,160	0,009	0,238	1,476	93,301	19,937	24,856	21,968	21,374	20,335	20,900	29,722	20,371	60,997

Pellematic 56_cat III_run 1_191210.Dat

Category: III

	1103	1108	1109	130	230	101	102	1	2	3	6	7	8	11	
Mättid	T3 inlet load side	T2 inlet boiler	T1 outlet boiler	Flow load side	Flow boiler side	Heat output load side	Heat output boiler	CO chimney	CO2 chimney	O2 chimney	Pstat	Pdyn	Tunnel velocity	Våg	Tidpunkt
Minuter	°C	°C	°C	m ³ /h	m ³ /h	W	W	ppm	%	%	Pa	Pa	m/s	kg	Klockan
221,167	43,189	54,786	74,595	1,226	1,068	25390,369	24249,629	10,099	11,855	8,875	6,398	53,630	9,454	968,261	2019-12-10 16:05
221,500	43,190	54,713	74,615	1,226	1,067	25247,280	24343,129	10,005	12,185	8,547	6,604	53,586	9,450	968,167	2019-12-10 16:06
221,833	43,194	54,651	74,575	1,226	1,067	25270,341	24360,785	8,755	12,037	8,602	6,594	53,491	9,442	968,074	2019-12-10 16:06
222,167	43,204	54,608	74,576	1,226	1,066	25381,832	24394,168	8,416	11,744	8,836	6,681	53,535	9,446	968,168	2019-12-10 16:06
222,500	43,232	54,542	74,599	1,226	1,068	25364,947	24561,406	6,233	11,556	9,109	6,585	53,315	9,426	968,074	2019-12-10 16:07
222,833	43,254	54,489	74,544	1,226	1,068	25315,102	24552,495	6,234	11,697	9,099	6,576	54,053	9,492	967,982	2019-12-10 16:07
223,167	43,221	54,468	74,540	1,226	1,066	25431,614	24535,692	6,219	11,700	8,889	6,599	54,019	9,489	968,074	2019-12-10 16:07
223,500	43,121	54,460	74,513	1,226	1,068	25520,269	24551,576	7,566	11,571	9,139	6,494	53,441	9,438	967,981	2019-12-10 16:08
223,833	43,005	54,438	74,388	1,226	1,069	25696,671	24438,686	7,396	11,656	9,069	6,619	53,175	9,414	967,855	2019-12-10 16:08
224,167	42,902	54,380	74,391	1,226	1,068	25662,481	24494,618	6,389	11,656	9,027	6,545	53,418	9,436	967,981	2019-12-10 16:08
224,500	42,817	54,310	74,398	1,225	1,068	25687,793	24607,437	6,061	11,838	8,897	6,594	53,369	9,431	967,856	2019-12-10 16:09
224,833	42,747	54,238	74,334	1,226	1,068	25822,673	24615,225	6,373	11,663	8,935	6,638	53,148	9,412	967,761	2019-12-10 16:09
225,167	42,715	54,147	74,304	1,226	1,069	26023,427	24697,273	6,482	11,562	9,130	6,561	52,785	9,379	967,761	2019-12-10 16:09
225,500	42,727	54,020	74,196	1,225	1,069	25888,548	24722,269	6,480	11,509	9,142	6,452	53,952	9,483	967,762	2019-12-10 16:10
225,834	42,749	53,930	74,164	1,225	1,067	26011,915	24751,447	6,305	11,541	9,189	6,664	53,593	9,451	967,856	2019-12-10 16:10
226,167	42,771	53,843	74,184	1,226	1,067	25996,702	24880,768	5,806	11,995	8,673	6,604	54,189	9,503	967,760	2019-12-10 16:10
226,500	42,802	53,766	74,048	1,226	1,067	25913,535	24819,525	6,655	12,147	8,683	6,661	54,162	9,501	967,761	2019-12-10 16:11
226,834	42,829	53,711	74,077	1,226	1,067	25805,757	24910,872	7,410	12,168	8,490	6,757	53,414	9,435	967,668	2019-12-10 16:11
227,167	42,872	53,682	73,977	1,226	1,067	25639,783	24830,021	7,327	12,439	8,332	6,659	53,216	9,418	967,668	2019-12-10 16:11
227,500	42,947	53,675	73,896	1,226	1,069	25589,381	24799,862	8,583	12,284	8,404	6,527	53,071	9,405	967,668	2019-12-10 16:12
227,834	43,042	53,687	73,755	1,227	1,068	25406,172	24572,627	8,250	12,279	8,449	6,590	53,275	9,423	967,668	2019-12-10 16:12
228,167	43,135	53,698	73,714	1,226	1,068	25483,302	24506,203	7,999	12,693	8,041	6,616	53,521	9,445	967,668	2019-12-10 16:12
228,500	43,214	53,682	73,597	1,227	1,066	25429,893	24355,233	10,001	12,786	7,896	6,645	53,252	9,421	967,668	2019-12-10 16:13
228,833	43,263	53,647	73,448	1,227	1,069	25269,084	24264,430	9,342	12,933	7,757	6,654	53,746	9,465	967,575	2019-12-10 16:13
229,167	43,270	53,640	73,347	1,226	1,067	25153,852	24119,283	8,938	12,819	7,841	6,595	53,685	9,459	967,574	2019-12-10 16:13
229,500	43,252	53,625	73,261	1,226	1,068	25237,360	24040,556	9,121	12,968	7,675	6,539	54,100	9,496	967,483	2019-12-10 16:14
229,833	43,232	53,592	73,193	1,225	1,068	25311,751	23998,068	8,168	13,138	7,476	6,559	53,733	9,463	967,574	2019-12-10 16:14
230,167	43,217	53,508	73,113	1,225	1,067	25214,943	23987,598	6,818	13,330	7,404	6,530	53,655	9,456	967,482	2019-12-10 16:14
230,500	43,209	53,427	72,977	1,226	1,068	25309,234	23937,952	6,533	13,698	7,000	6,440	53,936	9,481	967,483	2019-12-10 16:15
230,833	43,210	53,327	72,873	1,225	1,068	25281,172	23939,754	6,990	14,092	6,581	6,461	53,543	9,447	967,482	2019-12-10 16:15
231,167	43,186	53,224	72,829	1,227	1,069	25224,346	24047,948	7,327	14,352	6,255	6,456	53,743	9,464	967,482	2019-12-10 16:15
231,500	43,084	53,148	72,778	1,226	1,067	25291,548	24016,411	6,195	14,150	6,357	6,443	53,381	9,432	967,354	2019-12-10 16:16
231,833	42,935	53,082	72,658	1,226	1,067	25612,863	23961,863	7,834	14,088	6,502	6,515	53,912	9,479	967,354	2019-12-10 16:16
232,167	42,811	52,946	72,668	1,225	1,068	25621,943	24153,072	8,162	13,918	6,671	6,345	53,392	9,433	967,354	2019-12-10 16:16
232,500	42,724	52,802	72,612	1,224	1,067	25635,441	24244,140	7,662	13,924	6,610	6,384	53,687	9,459	967,354	2019-12-10 16:17
232,834	42,661	52,692	72,548	1,226	1,065	25786,291	24267,479	6,906	13,487	7,008	6,406	53,781	9,468	967,354	2019-12-10 16:17
233,167	42,621	52,571	72,570	1,224	1,067	25901,751	24473,664	6,733	13,453	7,135	6,396	53,477	9,441	967,260	2019-12-10 16:17

Pellematic 56_cat III_run 1_191210.Dat

Category: III

	301	302	304	305	306	308	317	1311	1312	1313	1314	1315	1316	1317	1318	1101	1102
Mättid	CO chimney	CO2 chimney	Pdyn	Pstat	Static pressure chimney	O2 chimney	Våg	Flue gas temp	Ambient	Flue gas at pitot	filter temp 1	filter temp 2	gas meter temp 1	gas meter temp 2	gasmeter temp ambient		T4 outlet load side
Minuter	VDC	VDC	VDC	VDC	VDC	VDC	VDC	°C	°C	°C	°C	°C	°C	°C	°C	°C	°C
233,536	0,201	0,743	1,349	0,159	0,012	0,235	1,476	93,147	19,935	24,871	21,972	21,358	20,322	20,911	29,730	20,372	61,027
233,834	0,201	0,743	1,350	0,155	0,014	0,234	1,476	93,029	19,946	24,909	21,962	21,350	20,335	20,902	29,752	20,370	61,024
234,167	0,201	0,741	1,341	0,161	0,020	0,237	1,475	92,842	19,933	24,857	21,945	21,357	20,332	20,898	29,744	20,370	61,010
234,500	0,201	0,741	1,338	0,162	0,015	0,237	1,474	92,721	19,891	24,882	21,933	21,346	20,320	20,910	29,749	20,369	61,044
234,834	0,202	0,728	1,347	0,158	0,015	0,247	1,475	92,697	19,891	24,921	21,931	21,350	20,326	20,906	29,747	20,371	61,096
235,167	0,202	0,728	1,338	0,157	0,011	0,247	1,475	92,760	19,894	25,315	21,967	21,349	20,327	20,906	29,753	20,368	61,010
235,500	0,201	0,709	1,335	0,156	0,018	0,263	1,474	93,009	19,912	25,645	22,000	21,356	20,322	20,911	29,761	20,369	61,076
235,834	0,201	0,720	1,338	0,157	0,015	0,253	1,473	93,199	19,901	25,668	22,017	21,357	20,335	20,898	29,771	20,368	61,135
236,167	0,201	0,721	1,328	0,156	0,017	0,251	1,473	93,307	19,837	25,749	22,031	21,365	20,324	20,894	29,767	20,366	61,072
236,500	0,201	0,713	1,339	0,154	0,018	0,259	1,472	93,449	19,841	25,797	22,051	21,371	20,320	20,906	29,770	20,364	61,188
236,833	0,201	0,712	1,349	0,154	0,008	0,260	1,472	93,550	19,824	25,766	22,055	21,369	20,322	20,904	29,770	20,366	61,138
237,167	0,201	0,725	1,364	0,157	0,019	0,250	1,472	93,628	19,838	25,736	22,048	21,361	20,330	20,912	29,766	20,362	61,191
237,500	0,201	0,717	1,339	0,159	0,015	0,257	1,472	93,749	19,857	25,739	22,061	21,365	20,313	20,907	29,764	20,363	61,156
237,833	0,201	0,714	1,336	0,159	0,018	0,261	1,470	93,865	19,874	25,776	22,065	21,375	20,318	20,920	29,765	20,362	61,182
238,167	0,201	0,704	1,338	0,156	0,012	0,269	1,470	93,982	19,855	25,795	22,070	21,366	20,315	20,910	29,760	20,360	61,175
238,500	0,201	0,699	1,337	0,156	0,016	0,273	1,470	94,019	19,876	25,710	22,067	21,367	20,317	20,921	29,762	20,361	61,175
238,833	0,201	0,689	1,343	0,160	0,014	0,283	1,468	94,047	19,867	25,693	22,076	21,369	20,318	20,917	29,758	20,359	61,195
239,167	0,201	0,685	1,343	0,160	0,010	0,286	1,468	94,091	19,815	25,734	22,072	21,375	20,320	20,909	29,771	20,361	61,204
239,500	0,201	0,677	1,338	0,161	0,018	0,293	1,468	94,122	19,831	25,700	22,059	21,366	20,318	20,909	29,783	20,360	61,212
239,833	0,201	0,672	1,340	0,158	0,018	0,296	1,467	94,191	19,790	25,634	22,057	21,359	20,318	20,913	29,790	20,360	61,227
240,167	0,201	0,675	1,324	0,158	0,014	0,294	1,467	94,216	19,848	25,693	22,062	21,362	20,318	20,911	29,784	20,360	61,228
240,500	0,201	0,672	1,327	0,157	0,016	0,296	1,466	94,217	19,868	25,681	22,057	21,359	20,308	20,917	29,776	20,358	61,217
240,834	0,201	0,674	1,332	0,155	0,013	0,295	1,466	94,276	19,842	25,757	22,061	21,369	20,322	20,916	29,788	20,358	61,216
241,167	0,201	0,680	1,340	0,157	0,011	0,289	1,466	94,301	19,864	25,779	22,070	21,367	20,320	20,928	29,781	20,358	61,205
241,500	0,201	0,672	1,332	0,153	0,016	0,297	1,465	94,363	19,904	25,691	22,077	21,373	20,307	20,918	29,788	20,356	61,195
241,834	0,201	0,666	1,323	0,157	0,020	0,303	1,464	94,388	19,846	25,689	22,064	21,367	20,314	20,921	29,796	20,358	61,165
242,167	0,201	0,674	1,321	0,162	0,015	0,295	1,464	94,453	19,848	25,748	22,069	21,377	20,309	20,922	29,784	20,358	61,150
242,500	0,201	0,687	1,327	0,161	0,018	0,284	1,464	94,429	19,864	25,744	22,068	21,372	20,309	20,920	29,779	20,355	61,233
242,834	0,201	0,693	1,328	0,156	0,007	0,279	1,464	94,489	19,833	25,747	22,078	21,379	20,310	20,923	29,792	20,357	61,274
243,167	0,202	0,678	1,342	0,154	0,017	0,292	1,462	94,549	19,840	25,680	22,074	21,372	20,313	20,922	29,799	20,355	61,224
243,500	0,202	0,663	1,333	0,152	0,016	0,304	1,462	94,565	19,857	25,691	22,083	21,378	20,303	20,917	29,812	20,356	61,189
243,833	0,202	0,663	1,336	0,157	0,015	0,304	1,461	94,583	19,868	25,696	22,076	21,387	20,311	20,912	29,813	20,355	61,191
244,167	0,202	0,664	1,345	0,161	0,017	0,303	1,462	94,646	19,802	25,696	22,087	21,385	20,306	20,928	29,831	20,353	61,159
244,500	0,202	0,668	1,343	0,157	0,018	0,300	1,460	94,693	19,827	25,713	22,086	21,385	20,305	20,926	29,838	20,355	61,145
244,833	0,202	0,670	1,328	0,159	0,017	0,298	1,460	94,742	19,824	25,746	22,084	21,399	20,307	20,927	29,846	20,355	61,122
245,167	0,202	0,666	1,337	0,159	0,014	0,301	1,460	94,757	19,848	25,757	22,079	21,392	20,301	20,930	29,848	20,352	61,139
245,500	0,202	0,672	1,344	0,160	0,009	0,297	1,459	94,746	19,850	25,702	22,095	21,396	20,299	20,923	29,842	20,351	61,112

Pellematic 56_cat III_run 1_191210.Dat

Category: III

	1103	1108	1109	130	230	101	102	1	2	3	6	7	8	11	
Mättid	T3 inlet load side	T2 inlet boiler	T1 outlet boiler	Flow load side	Flow boiler side	Heat output load side	Heat output boiler	CO chimney	CO2 chimney	O2 chimney	Pstat	Pdyn	Tunnel velocity	Våg	Tidpunkt
Minuter	°C	°C	°C	m³/h	m³/h	W	W	ppm	%	%	Pa	Pa	m/s	kg	Klockan
233,536	42,596	52,422	72,546	1,225	1,069	25993,156	24671,578	7,239	13,590	7,038	6,347	54,000	9,487	967,259	2019-12-10 16:18
233,834	42,609	52,293	72,491	1,225	1,066	25970,905	24695,808	6,072	13,563	7,029	6,210	53,808	9,470	967,259	2019-12-10 16:18
234,167	42,666	52,183	72,410	1,226	1,067	25889,312	24772,395	6,319	13,502	7,112	6,425	53,789	9,468	967,166	2019-12-10 16:18
234,500	42,726	52,092	72,413	1,225	1,067	25826,589	24887,674	7,157	13,508	7,097	6,489	53,657	9,457	967,114	2019-12-10 16:19
234,834	42,774	52,036	72,242	1,225	1,067	25842,218	24738,285	7,074	13,157	7,422	6,323	54,057	9,492	967,165	2019-12-10 16:19
235,167	42,789	51,982	72,187	1,226	1,068	25715,256	24762,785	8,173	13,152	7,425	6,264	53,311	9,426	967,165	2019-12-10 16:19
235,500	42,788	51,958	72,165	1,225	1,068	25795,061	24769,510	5,473	12,735	7,888	6,226	53,399	9,434	967,071	2019-12-10 16:20
235,834	42,787	51,931	72,096	1,225	1,065	25869,526	24644,324	5,815	13,057	7,578	6,275	53,291	9,424	967,071	2019-12-10 16:20
236,167	42,779	51,858	72,038	1,226	1,067	25807,784	24700,645	5,556	12,943	7,535	6,253	53,189	9,415	967,071	2019-12-10 16:20
236,500	42,779	51,802	72,061	1,225	1,067	25966,826	24805,115	5,976	12,846	7,764	6,157	53,728	9,463	966,979	2019-12-10 16:21
236,833	42,781	51,730	72,129	1,225	1,067	25877,868	24978,010	6,404	12,871	7,804	6,164	53,970	9,484	966,980	2019-12-10 16:21
237,167	42,781	51,663	72,032	1,225	1,067	25965,474	24933,377	6,234	13,113	7,498	6,282	54,524	9,533	966,979	2019-12-10 16:21
237,500	42,783	51,610	72,082	1,226	1,065	25932,770	25025,305	6,901	12,960	7,703	6,341	53,345	9,429	966,980	2019-12-10 16:22
237,833	42,795	51,557	72,082	1,226	1,067	25950,016	25139,670	6,475	12,776	7,819	6,344	53,022	9,401	966,853	2019-12-10 16:22
238,167	42,810	51,520	72,127	1,226	1,067	25920,987	25244,211	6,318	12,506	8,059	6,254	53,644	9,455	966,853	2019-12-10 16:22
238,500	42,819	51,507	72,123	1,224	1,065	25869,442	25193,279	5,562	12,430	8,193	6,244	53,635	9,455	966,853	2019-12-10 16:23
238,833	42,814	51,504	72,111	1,226	1,067	25940,402	25233,986	4,978	12,198	8,477	6,404	53,931	9,481	966,759	2019-12-10 16:23
239,167	42,815	51,507	72,136	1,227	1,067	25971,063	25264,200	5,394	12,096	8,575	6,380	53,381	9,432	966,759	2019-12-10 16:23
239,500	42,810	51,508	72,111	1,226	1,068	25966,502	25246,370	5,476	11,880	8,775	6,446	53,211	9,417	966,759	2019-12-10 16:24
239,833	42,798	51,516	72,136	1,225	1,067	25992,047	25259,276	5,403	11,811	8,893	6,318	53,555	9,448	966,664	2019-12-10 16:24
240,167	42,784	51,513	72,161	1,225	1,068	26005,786	25315,643	5,735	11,861	8,806	6,316	53,076	9,405	966,665	2019-12-10 16:24
240,500	42,778	51,507	72,140	1,224	1,066	25991,003	25245,980	6,059	11,813	8,894	6,285	53,321	9,427	966,571	2019-12-10 16:25
240,834	42,779	51,502	72,083	1,227	1,068	26030,872	25234,389	5,473	11,862	8,836	6,188	53,263	9,422	966,665	2019-12-10 16:25
241,167	42,777	51,500	72,070	1,225	1,068	25991,194	25203,315	5,899	12,095	8,668	6,276	53,725	9,463	966,571	2019-12-10 16:25
241,500	42,770	51,486	72,017	1,225	1,066	25976,942	25111,836	5,983	11,743	8,904	6,112	52,913	9,391	966,571	2019-12-10 16:26
241,834	42,762	51,477	72,028	1,226	1,066	25980,857	25156,465	5,645	11,605	9,105	6,277	53,017	9,400	966,479	2019-12-10 16:26
242,167	42,760	51,472	72,019	1,225	1,066	25931,315	25131,397	6,403	11,939	8,846	6,482	52,809	9,382	966,479	2019-12-10 16:26
242,500	42,761	51,457	71,970	1,225	1,068	26054,110	25136,870	5,969	12,283	8,506	6,431	52,938	9,393	966,479	2019-12-10 16:27
242,834	42,746	51,447	71,966	1,226	1,066	26144,976	25111,839	6,653	12,257	8,369	6,254	53,323	9,427	966,480	2019-12-10 16:27
243,167	42,726	51,398	71,968	1,226	1,068	26104,428	25225,732	7,317	11,846	8,754	6,180	53,647	9,456	966,353	2019-12-10 16:27
243,500	42,695	51,364	71,944	1,225	1,068	26075,065	25236,065	7,002	11,485	9,125	6,096	53,490	9,442	966,354	2019-12-10 16:28
243,833	42,673	51,341	71,949	1,224	1,066	26100,290	25225,439	9,316	11,582	9,134	6,261	53,600	9,452	966,259	2019-12-10 16:28
244,167	42,675	51,314	71,861	1,224	1,066	26051,352	25138,695	8,162	11,692	9,085	6,425	54,014	9,488	966,353	2019-12-10 16:28
244,500	42,677	51,287	71,872	1,225	1,066	26046,920	25199,798	7,574	11,666	9,002	6,284	53,591	9,451	966,259	2019-12-10 16:29
244,833	42,690	51,278	71,898	1,225	1,068	25988,653	25288,883	8,073	11,725	8,940	6,377	53,256	9,421	966,259	2019-12-10 16:29
245,167	42,704	51,273	71,866	1,224	1,066	25985,336	25192,554	7,658	11,628	9,034	6,344	53,570	9,449	966,259	2019-12-10 16:29
245,500	42,714	51,267	71,808	1,225	1,068	25947,323	25185,541	6,989	11,871	8,896	6,392	53,807	9,470	966,165	2019-12-10 16:30

Pellematic 56_cat III_run 1_191210.Dat

Category: III

	301	302	304	305	306	308	317	1311	1312	1313	1314	1315	1316	1317	1318	1101	1102
Mättid	CO chimney	CO2 chimney	Pdyn	Pstat	Static pressure chimney	O2 chimney	Våg	Flue gas temp	Ambient	Flue gas at pitot	filter temp 1	filter temp 2	gas meter temp 1	gas meter temp 2	gasmeter temp ambient		T4 outlet load side
Minuter	VDC	VDC	VDC	VDC	VDC	VDC	VDC	°C	°C	°C	°C	°C	°C	°C	°C	°C	°C
245,833	0,201	0,674	1,353	0,158	0,020	0,295	1,459	94,752	19,851	25,763	22,088	21,381	20,301	20,925	29,842	20,349	61,100
246,167	0,201	0,665	1,342	0,157	0,011	0,303	1,459	94,751	19,830	25,694	22,098	21,394	20,299	20,919	29,836	20,349	61,093
246,500	0,203	0,669	1,334	0,157	0,014	0,299	1,459	94,775	19,853	25,678	22,088	21,402	20,304	20,933	29,839	20,350	61,079
246,834	0,203	0,672	1,335	0,158	0,010	0,296	1,457	94,818	19,839	25,711	22,098	21,392	20,321	20,933	29,841	20,351	61,261
247,167	0,201	0,673	1,342	0,161	0,021	0,296	1,457	94,824	19,839	25,642	22,100	21,394	20,307	20,927	29,841	20,347	61,188
247,500	0,201	0,664	1,330	0,160	0,015	0,303	1,457	94,809	19,808	25,678	22,094	21,410	20,320	20,927	29,843	20,351	61,189
247,834	0,201	0,659	1,331	0,159	0,020	0,308	1,457	94,826	19,798	25,758	22,088	21,401	20,306	20,920	29,845	20,348	61,190
248,167	0,201	0,652	1,342	0,159	0,014	0,314	1,456	94,852	19,791	25,785	22,103	21,389	20,314	20,923	29,844	20,343	61,200
248,500	0,201	0,654	1,336	0,163	0,020	0,313	1,456	94,883	19,799	25,681	22,084	21,384	20,298	20,927	29,834	20,345	61,206
248,834	0,201	0,656	1,329	0,160	0,020	0,310	1,456	94,879	19,760	25,676	22,088	21,396	20,300	20,936	29,821	20,343	61,198
249,167	0,201	0,655	1,337	0,162	0,018	0,312	1,455	94,884	19,725	25,692	22,080	21,386	20,300	20,927	29,828	20,343	61,180
249,500	0,201	0,647	1,344	0,160	0,016	0,319	1,455	94,856	19,785	25,710	22,077	21,392	20,304	20,933	29,835	20,344	61,161
249,833	0,201	0,633	1,341	0,162	0,012	0,329	1,453	94,871	19,792	25,722	22,086	21,402	20,300	20,928	29,852	20,342	61,314
250,167	0,201	0,631	1,339	0,160	0,012	0,332	1,453	94,867	19,799	25,672	22,084	21,387	20,307	20,934	29,859	20,343	61,325
250,500	0,201	0,618	1,333	0,163	0,020	0,344	1,454	94,870	19,795	25,671	22,080	21,379	20,299	20,928	29,850	20,341	61,218
250,833	0,201	0,617	1,335	0,160	0,012	0,344	1,453	94,884	19,824	25,657	22,080	21,387	20,304	20,929	29,857	20,342	61,177
251,167	0,201	0,630	1,339	0,161	0,011	0,332	1,453	94,881	19,818	25,755	22,082	21,406	20,301	20,936	29,870	20,341	61,147
251,500	0,201	0,636	1,335	0,160	0,012	0,326	1,452	94,841	19,833	25,755	22,074	21,391	20,297	20,929	29,859	20,338	61,119
251,833	0,201	0,635	1,342	0,163	0,019	0,328	1,451	94,841	19,826	25,725	22,081	21,394	20,293	20,938	29,864	20,338	61,049
252,167	0,201	0,630	1,338	0,162	0,015	0,332	1,451	94,822	19,811	25,711	22,069	21,377	20,290	20,921	29,863	20,335	61,210
252,500	0,201	0,638	1,347	0,162	0,014	0,326	1,451	94,859	19,807	25,694	22,076	21,377	20,294	20,924	29,877	20,334	61,145
252,833	0,201	0,636	1,347	0,159	0,022	0,327	1,451	94,831	19,833	25,688	22,074	21,393	20,295	20,926	29,880	20,333	61,125
253,167	0,201	0,648	1,346	0,159	0,016	0,317	1,450	94,819	19,855	25,796	22,080	21,391	20,295	20,930	29,894	20,334	61,091
253,500	0,201	0,658	1,347	0,159	0,019	0,308	1,450	94,859	19,848	25,773	22,075	21,400	20,292	20,931	29,896	20,330	61,037
253,834	0,201	0,672	1,344	0,159	0,011	0,296	1,449	94,871	19,829	25,788	22,080	21,400	20,306	20,929	29,888	20,330	61,023
254,167	0,201	0,680	1,338	0,159	0,019	0,289	1,449	94,857	19,831	25,802	22,083	21,397	20,299	20,930	29,897	20,330	61,023
254,500	0,201	0,672	1,333	0,159	0,019	0,296	1,448	94,875	19,824	25,785	22,078	21,395	20,290	20,925	29,907	20,329	61,033
254,834	0,201	0,663	1,337	0,162	0,017	0,303	1,448	94,846	19,818	25,732	22,079	21,391	20,286	20,935	29,884	20,327	61,041
255,167	0,201	0,657	1,331	0,163	0,016	0,309	1,448	94,817	19,826	25,765	22,074	21,394	20,288	20,933	29,898	20,330	61,043
255,500	0,201	0,652	1,336	0,162	0,017	0,313	1,448	94,772	19,742	25,762	22,087	21,386	20,296	20,923	29,900	20,329	61,023
255,834	0,201	0,649	1,339	0,158	0,010	0,316	1,448	94,764	19,788	25,690	22,078	21,388	20,294	20,933	29,904	20,326	60,995
256,167	0,201	0,652	1,337	0,158	0,013	0,314	1,446	94,725	19,767	25,801	22,087	21,385	20,279	20,938	29,914	20,324	60,945
256,500	0,201	0,665	1,343	0,165	0,014	0,302	1,446	94,736	19,823	25,805	22,062	21,389	20,286	20,927	29,908	20,325	60,901
256,833	0,201	0,679	1,333	0,158	0,016	0,290	1,445	94,721	19,751	25,794	22,077	21,393	20,280	20,931	29,907	20,323	60,867
257,167	0,201	0,670	1,334	0,161	0,016	0,297	1,444	94,734	19,782	25,810	22,074	21,399	20,292	20,940	29,906	20,325	60,857
257,500	0,201	0,662	1,313	0,158	0,016	0,304	1,444	94,714	19,765	25,721	22,072	21,385	20,278	20,935	29,904	20,327	60,855
257,833	0,201	0,650	1,316	0,160	0,024	0,314	1,444	94,695	19,782	25,765	22,076	21,374	20,278	20,937	29,909	20,325	60,852

Pellematic 56_cat III_run 1_191210.Dat

Category: III

	1103	1108	1109	130	230	101	102	1	2	3	6	7	8	11	
Mättid	T3 inlet load side	T2 inlet boiler	T1 outlet boiler	Flow load side	Flow boiler side	Heat output load side	Heat output boiler	CO chimney	CO2 chimney	O2 chimney	Pstat	Pdyn	Tunnel velocity	Våg	Tidpunkt
Minuter	°C	°C	°C	m³/h	m³/h	W	W	ppm	%	%	Pa	Pa	m/s	kg	Klockan
245,833	42,718	51,270	71,836	1,225	1,067	25919,091	25185,593	6,312	11,753	8,851	6,301	54,146	9,500	966,165	2019-12-10 16:30
246,167	42,724	51,264	71,814	1,225	1,067	25900,509	25161,230	6,736	11,594	9,090	6,277	53,550	9,447	966,165	2019-12-10 16:30
246,500	42,742	51,266	71,717	1,227	1,068	25896,389	25068,462	11,429	11,722	8,985	6,278	53,249	9,421	966,165	2019-12-10 16:31
246,834	42,825	51,259	71,733	1,226	1,067	26009,954	25064,811	8,572	11,878	8,875	6,312	53,713	9,462	966,071	2019-12-10 16:31
247,167	42,946	51,228	71,661	1,226	1,067	25735,669	25027,748	6,564	11,714	8,869	6,457	53,875	9,476	966,071	2019-12-10 16:31
247,500	43,036	51,218	71,680	1,225	1,066	25601,262	25042,202	5,644	11,655	9,096	6,400	53,105	9,408	966,071	2019-12-10 16:32
247,834	43,076	51,254	71,638	1,226	1,067	25562,566	24971,931	5,562	11,429	9,243	6,373	53,601	9,452	966,071	2019-12-10 16:32
248,167	43,078	51,298	71,607	1,226	1,067	25567,012	24881,302	6,065	11,295	9,422	6,373	53,770	9,467	965,980	2019-12-10 16:32
248,500	43,060	51,326	71,551	1,226	1,067	25599,893	24759,483	5,551	11,357	9,379	6,518	53,438	9,437	965,979	2019-12-10 16:33
248,834	43,019	51,333	71,576	1,226	1,068	25661,307	24811,824	6,900	11,450	9,307	6,405	53,032	9,401	965,979	2019-12-10 16:33
249,167	42,977	51,328	71,613	1,225	1,068	25673,003	24862,092	6,644	11,310	9,351	6,475	53,545	9,447	965,853	2019-12-10 16:33
249,500	42,959	51,299	71,568	1,225	1,067	25658,546	24828,866	6,304	11,079	9,562	6,409	53,729	9,463	965,853	2019-12-10 16:34
249,833	42,954	51,275	71,470	1,226	1,065	25910,207	24689,738	6,145	10,836	9,880	6,474	53,855	9,474	965,760	2019-12-10 16:34
250,167	42,897	51,190	71,403	1,226	1,067	26008,297	24750,908	5,305	10,700	9,960	6,403	53,532	9,446	965,758	2019-12-10 16:34
250,500	42,780	51,095	71,355	1,225	1,067	25993,852	24819,547	5,969	10,397	10,308	6,527	53,326	9,427	965,853	2019-12-10 16:35
250,833	42,687	51,025	71,372	1,224	1,066	26053,665	24893,770	6,141	10,461	10,306	6,413	53,733	9,463	965,759	2019-12-10 16:35
251,167	42,645	50,943	71,250	1,225	1,067	26094,063	24879,053	5,895	10,812	9,958	6,446	53,736	9,464	965,759	2019-12-10 16:35
251,500	42,626	50,863	71,263	1,225	1,066	26071,116	24962,958	5,478	11,004	9,788	6,415	53,579	9,450	965,758	2019-12-10 16:36
251,833	42,610	50,795	71,174	1,224	1,067	25979,206	24954,057	5,312	10,745	9,847	6,515	53,659	9,457	965,665	2019-12-10 16:36
252,167	42,598	50,752	71,175	1,225	1,067	26253,280	25015,775	4,975	10,814	9,964	6,472	53,576	9,449	965,665	2019-12-10 16:36
252,500	42,590	50,659	71,149	1,225	1,064	26157,078	25042,425	5,646	10,976	9,769	6,474	53,648	9,456	965,665	2019-12-10 16:37
252,833	42,552	50,571	71,071	1,225	1,065	26194,904	25065,230	5,220	10,901	9,804	6,347	53,602	9,452	965,665	2019-12-10 16:37
253,167	42,578	50,496	71,040	1,225	1,066	26102,544	25154,345	4,796	11,296	9,495	6,357	53,825	9,471	965,666	2019-12-10 16:37
253,500	42,704	50,435	70,980	1,225	1,065	25851,405	25119,298	5,309	11,544	9,237	6,377	54,048	9,491	965,572	2019-12-10 16:38
253,834	42,833	50,419	70,961	1,226	1,066	25662,182	25131,778	5,503	11,823	8,881	6,361	53,979	9,485	965,571	2019-12-10 16:38
254,167	42,886	50,448	70,885	1,224	1,067	25563,805	25040,500	5,646	11,957	8,679	6,344	53,398	9,434	965,571	2019-12-10 16:38
254,500	42,932	50,500	70,830	1,225	1,065	25520,354	24865,451	5,474	11,761	8,873	6,360	53,592	9,451	965,480	2019-12-10 16:39
254,834	42,980	50,541	70,804	1,224	1,064	25437,128	24762,335	5,303	11,501	9,097	6,462	53,339	9,429	965,479	2019-12-10 16:39
255,167	42,955	50,571	70,762	1,223	1,064	25473,484	24667,067	5,142	11,415	9,267	6,536	53,355	9,430	965,479	2019-12-10 16:39
255,500	42,868	50,575	70,713	1,223	1,066	25551,091	24652,601	5,387	11,324	9,397	6,472	53,427	9,436	965,479	2019-12-10 16:40
255,834	42,810	50,545	70,763	1,223	1,065	25593,238	24712,377	4,967	11,238	9,478	6,323	53,560	9,448	965,479	2019-12-10 16:40
256,167	42,781	50,483	70,610	1,222	1,064	25557,889	24581,307	5,299	11,351	9,412	6,334	53,501	9,443	965,355	2019-12-10 16:40
256,500	42,831	50,423	70,641	1,224	1,065	25467,445	24725,720	5,048	11,777	9,068	6,588	54,199	9,504	965,355	2019-12-10 16:41
256,833	42,925	50,392	70,576	1,224	1,066	25284,723	24695,647	4,886	11,933	8,708	6,319	53,281	9,423	965,261	2019-12-10 16:41
257,167	42,991	50,395	70,457	1,224	1,065	25159,627	24535,675	4,803	11,815	8,918	6,427	53,443	9,438	965,261	2019-12-10 16:41
257,500	43,011	50,429	70,489	1,225	1,065	25155,425	24539,708	5,217	11,439	9,130	6,303	52,151	9,323	965,260	2019-12-10 16:42
257,833	42,983	50,454	70,429	1,224	1,066	25165,708	24438,407	5,334	11,166	9,428	6,392	52,863	9,386	965,261	2019-12-10 16:42

Pellematic 56_cat III_run 1_191210.Dat

Category: III

	301	302	304	305	306	308	317	1311	1312	1313	1314	1315	1316	1317	1318	1101	1102
Mättid	CO chimney	CO2 chimney	Pdyn	Pstat	Static pressure chimney	O2 chimney	Våg	Flue gas temp	Ambient	Flue gas at pitot	filter temp 1	filter temp 2	gas meter temp 1	gas meter temp 2	gasmeter temp ambient		T4 outlet load side
Minuter	VDC	VDC	VDC	VDC	VDC	VDC	VDC	°C	°C	°C	°C	°C	°C	°C	°C	°C	°C
258,167	0,201	0,649	1,342	0,161	0,017	0,316	1,443	94,628	19,747	25,668	22,074	21,398	20,273	20,940	29,909	20,320	60,840
258,500	0,201	0,663	1,336	0,160	0,013	0,304	1,443	94,617	19,784	25,694	22,073	21,383	20,280	20,935	29,918	20,319	60,818
258,833	0,200	0,659	1,353	0,160	0,017	0,308	1,443	94,551	19,800	25,692	22,063	21,389	20,284	20,941	29,909	20,319	60,799
259,167	0,200	0,649	1,349	0,159	0,014	0,316	1,443	94,558	19,801	25,703	22,076	21,378	20,280	20,935	29,911	20,317	60,800
259,500	0,200	0,652	1,335	0,162	0,014	0,313	1,442	94,563	19,785	25,762	22,062	21,382	20,275	20,945	29,900	20,317	60,816
259,833	0,200	0,652	1,348	0,164	0,015	0,313	1,443	94,581	19,799	25,694	22,062	21,375	20,271	20,930	29,907	20,313	60,841
260,167	0,201	0,645	1,340	0,162	0,011	0,319	1,440	94,532	19,783	25,741	22,068	21,381	20,273	20,938	29,916	20,312	60,843
260,500	0,201	0,646	1,329	0,163	0,011	0,319	1,440	94,528	19,824	25,757	22,060	21,371	20,273	20,939	29,919	20,309	60,839
260,834	0,201	0,641	1,324	0,164	0,015	0,323	1,440	94,502	19,777	25,727	22,055	21,384	20,282	20,935	29,929	20,310	60,832
261,167	0,201	0,639	1,337	0,159	0,010	0,325	1,440	94,436	19,794	25,642	22,067	21,376	20,268	20,932	29,926	20,308	60,823
261,500	0,201	0,651	1,339	0,163	0,017	0,314	1,440	94,396	19,756	25,684	22,048	21,390	20,266	20,924	29,938	20,305	60,810
261,834	0,201	0,666	1,345	0,160	0,014	0,301	1,439	94,395	19,799	25,693	22,052	21,374	20,268	20,938	29,936	20,304	60,790
262,167	0,201	0,665	1,344	0,159	0,016	0,302	1,439	94,424	19,803	25,741	22,061	21,375	20,266	20,931	29,922	20,303	60,768
262,500	0,201	0,665	1,341	0,157	0,015	0,301	1,437	94,400	19,800	25,692	22,048	21,379	20,265	20,930	29,905	20,303	60,751
262,834	0,201	0,651	1,342	0,159	0,016	0,314	1,437	94,412	19,797	25,669	22,053	21,373	20,264	20,926	29,909	20,303	60,728
263,167	0,201	0,639	1,338	0,162	0,013	0,324	1,437	94,385	19,797	25,688	22,058	21,379	20,266	20,934	29,907	20,303	60,702
263,500	0,201	0,641	1,338	0,159	0,015	0,323	1,438	94,356	19,756	25,762	22,066	21,374	20,271	20,934	29,901	20,302	60,683
263,833	0,201	0,649	1,341	0,156	0,017	0,316	1,436	94,341	19,792	25,686	22,058	21,377	20,258	20,936	29,899	20,299	60,657
264,167	0,201	0,647	1,335	0,160	0,017	0,318	1,436	94,324	19,805	25,766	22,065	21,396	20,269	20,930	29,905	20,297	60,631
264,500	0,201	0,659	1,346	0,158	0,014	0,307	1,435	94,319	19,804	25,710	22,068	21,378	20,259	20,922	29,900	20,298	60,619
264,833	0,201	0,653	1,335	0,157	0,011	0,313	1,434	94,306	19,813	25,667	22,063	21,381	20,255	20,935	29,912	20,298	60,604
265,167	0,201	0,649	1,321	0,157	0,019	0,315	1,435	94,268	19,812	25,691	22,063	21,371	20,264	20,928	29,941	20,298	60,602
265,500	0,201	0,656	1,332	0,159	0,013	0,310	1,434	94,264	19,833	25,819	22,065	21,388	20,268	20,933	29,934	20,299	60,614
265,833	0,201	0,667	1,343	0,159	0,018	0,300	1,433	94,244	19,833	25,672	22,064	21,391	20,262	20,933	29,933	20,298	60,637
266,167	0,201	0,660	1,323	0,158	0,014	0,307	1,433	94,231	19,812	25,705	22,076	21,382	20,268	20,940	29,956	20,301	60,667
266,500	0,201	0,651	1,337	0,159	0,011	0,314	1,433	94,228	19,804	25,710	22,062	21,379	20,257	20,935	29,954	20,296	60,709
266,833	0,201	0,651	1,334	0,157	0,012	0,314	1,432	94,217	19,814	25,680	22,056	21,376	20,250	20,943	29,966	20,297	60,760
267,167	0,201	0,655	1,333	0,166	0,015	0,311	1,432	94,166	19,727	25,652	22,070	21,373	20,265	20,921	29,957	20,295	60,772
267,500	0,201	0,645	1,332	0,155	0,010	0,320	1,432	94,102	19,749	25,639	22,062	21,369	20,247	20,924	29,951	20,291	60,777
267,834	0,201	0,637	1,333	0,161	0,014	0,327	1,431	94,116	19,723	25,597	22,059	21,375	20,261	20,927	29,953	20,292	60,780
268,167	0,201	0,638	1,330	0,161	0,016	0,326	1,430	94,098	19,751	25,585	22,049	21,378	20,259	20,923	29,951	20,291	60,770
268,500	0,201	0,645	1,340	0,162	0,019	0,320	1,430	94,095	19,772	25,647	22,066	21,395	20,264	20,932	29,956	20,295	60,740
268,834	0,201	0,646	1,343	0,159	0,016	0,320	1,428	94,092	19,748	25,597	22,058	21,377	20,258	20,939	29,959	20,291	60,697
269,167	0,201	0,628	1,331	0,158	0,014	0,334	1,428	94,057	19,766	25,641	22,044	21,382	20,257	20,923	29,955	20,287	60,664
269,500	0,201	0,619	1,331	0,161	0,018	0,342	1,429	94,002	19,773	25,540	22,045	21,364	20,262	20,923	29,958	20,287	60,625
269,834	0,201	0,624	1,341	0,156	0,013	0,338	1,428	93,995	19,737	25,553	22,032	21,358	20,256	20,931	29,954	20,285	60,601
270,167	0,201	0,623	1,333	0,158	0,015	0,339	1,427	93,972	19,745	25,579	22,040	21,376	20,252	20,926	29,957	20,286	60,580

Pellematic 56_cat III_run 1_191210.Dat

Category: III

	1103	1108	1109	130	230	101	102	1	2	3	6	7	8	11	
Mättid	T3 inlet load side	T2 inlet boiler	T1 outlet boiler	Flow load side	Flow boiler side	Heat output load side	Heat output boiler	CO chimney	CO2 chimney	O2 chimney	Pstat	Pdyn	Tunnel velocity	Våg	Tidpunkt
Minuter	°C	°C	°C	m ³ /h	m ³ /h	W	W	ppm	%	%	Pa	Pa	m/s	kg	Klockan
258,167	42,972	50,466	70,402	1,223	1,064	25158,365	24355,490	5,302	11,321	9,489	6,449	53,727	9,463	965,167	2019-12-10 16:42
258,500	43,045	50,447	70,381	1,224	1,064	25043,644	24352,780	4,550	11,567	9,135	6,412	53,120	9,409	965,167	2019-12-10 16:43
258,833	43,185	50,443	70,344	1,224	1,065	24812,629	24329,640	4,296	11,340	9,239	6,413	54,119	9,497	965,167	2019-12-10 16:43
259,167	43,290	50,468	70,321	1,224	1,064	24656,948	24248,039	4,118	11,204	9,491	6,377	53,860	9,475	965,167	2019-12-10 16:43
259,500	43,343	50,528	70,274	1,223	1,062	24595,846	24070,549	4,465	11,339	9,404	6,462	53,262	9,422	965,167	2019-12-10 16:44
259,833	43,359	50,586	70,275	1,224	1,064	24624,465	24048,107	4,297	11,276	9,403	6,580	54,116	9,497	965,167	2019-12-10 16:44
260,167	43,363	50,626	70,222	1,223	1,065	24594,736	23950,377	4,799	11,153	9,583	6,498	53,401	9,434	965,073	2019-12-10 16:44
260,500	43,367	50,651	70,247	1,223	1,063	24585,251	23909,395	5,300	11,123	9,565	6,507	53,239	9,420	964,981	2019-12-10 16:45
260,834	43,365	50,651	70,182	1,223	1,066	24586,568	23913,676	5,136	10,982	9,678	6,542	52,977	9,397	964,981	2019-12-10 16:45
261,167	43,349	50,657	70,131	1,224	1,065	24616,650	23817,170	4,795	11,029	9,747	6,365	53,578	9,450	964,980	2019-12-10 16:45
261,500	43,326	50,657	70,156	1,223	1,064	24614,545	23810,676	4,461	11,393	9,408	6,520	53,480	9,441	964,980	2019-12-10 16:46
261,834	43,303	50,645	70,133	1,224	1,064	24634,232	23798,037	4,726	11,734	9,038	6,385	54,008	9,488	964,982	2019-12-10 16:46
262,167	43,270	50,629	70,098	1,223	1,067	24622,612	23838,326	5,298	11,606	9,058	6,366	53,614	9,453	964,981	2019-12-10 16:46
262,500	43,228	50,605	70,109	1,224	1,065	24684,733	23854,551	4,807	11,595	9,044	6,271	53,419	9,436	964,760	2019-12-10 16:47
262,834	43,191	50,588	70,117	1,223	1,067	24683,571	23923,347	5,476	11,202	9,425	6,371	53,862	9,475	964,760	2019-12-10 16:47
263,167	43,152	50,563	70,051	1,222	1,064	24690,886	23811,544	5,387	10,913	9,731	6,482	53,457	9,439	964,760	2019-12-10 16:47
263,500	43,119	50,525	69,984	1,224	1,066	24741,699	23812,117	5,469	11,096	9,687	6,348	53,837	9,473	964,855	2019-12-10 16:48
263,833	43,087	50,492	70,042	1,224	1,065	24747,194	23897,015	5,559	11,273	9,483	6,240	53,346	9,429	964,761	2019-12-10 16:48
264,167	43,080	50,472	70,077	1,225	1,063	24737,909	23929,823	5,228	11,166	9,538	6,388	53,704	9,461	964,760	2019-12-10 16:48
264,500	43,105	50,440	70,024	1,225	1,066	24687,321	23974,500	4,802	11,609	9,197	6,315	53,836	9,472	964,667	2019-12-10 16:49
264,833	43,170	50,427	69,964	1,224	1,064	24558,915	23859,447	5,225	11,256	9,379	6,274	53,046	9,403	964,667	2019-12-10 16:49
265,167	43,278	50,432	70,047	1,223	1,066	24378,154	24010,260	5,310	11,202	9,461	6,277	52,985	9,397	964,667	2019-12-10 16:49
265,500	43,430	50,471	69,982	1,224	1,066	24214,424	23873,924	5,477	11,510	9,286	6,348	53,537	9,446	964,573	2019-12-10 16:50
265,833	43,588	50,531	69,982	1,223	1,065	24002,497	23781,868	5,897	11,704	9,006	6,354	53,537	9,446	964,573	2019-12-10 16:50
266,167	43,691	50,616	69,857	1,224	1,065	23910,283	23527,603	5,811	11,382	9,212	6,323	53,008	9,399	964,573	2019-12-10 16:50
266,500	43,740	50,701	69,888	1,224	1,066	23897,745	23483,481	5,217	11,300	9,420	6,368	53,661	9,457	964,573	2019-12-10 16:51
266,833	43,758	50,786	69,854	1,223	1,064	23927,390	23300,795	5,385	11,238	9,421	6,275	53,213	9,417	964,481	2019-12-10 16:51
267,167	43,777	50,833	69,825	1,224	1,065	23940,919	23224,774	5,389	11,345	9,316	6,645	52,946	9,394	964,481	2019-12-10 16:51
267,500	43,742	50,858	69,887	1,224	1,066	23992,179	23280,076	5,305	11,007	9,596	6,190	53,221	9,418	964,481	2019-12-10 16:52
267,834	43,658	50,872	69,862	1,223	1,066	24104,893	23244,228	5,473	10,898	9,802	6,452	53,091	9,407	964,356	2019-12-10 16:52
268,167	43,568	50,858	69,835	1,222	1,064	24193,825	23177,460	5,225	10,943	9,775	6,421	53,276	9,423	964,355	2019-12-10 16:52
268,500	43,475	50,821	69,830	1,221	1,064	24268,111	23221,856	5,223	11,197	9,609	6,479	53,638	9,455	964,355	2019-12-10 16:53
268,834	43,387	50,763	69,817	1,222	1,066	24349,310	23322,644	4,968	11,009	9,586	6,373	53,783	9,468	964,261	2019-12-10 16:53
269,167	43,325	50,703	69,822	1,223	1,065	24412,233	23378,339	4,878	10,612	10,035	6,326	53,436	9,437	964,261	2019-12-10 16:53
269,500	43,290	50,647	69,817	1,223	1,067	24392,903	23474,739	5,474	10,435	10,265	6,437	53,252	9,421	964,356	2019-12-10 16:54
269,834	43,286	50,596	69,803	1,224	1,066	24387,464	23498,991	5,057	10,544	10,137	6,239	53,637	9,455	964,261	2019-12-10 16:54
270,167	43,302	50,561	69,836	1,222	1,066	24298,155	23586,992	5,801	10,607	10,158	6,309	53,427	9,436	964,168	2019-12-10 16:54

Pellematic 56_cat III_run 1_191210.Dat

Category: III

	301	302	304	305	306	308	317	1311	1312	1313	1314	1315	1316	1317	1318	1101	1102
Mättid	CO chimney	CO2 chimney	Pdyn	Pstat	Static pressure chimney	O2 chimney	Våg	Flue gas temp	Ambient	Flue gas at pitot	filter temp 1	filter temp 2	gas meter temp 1	gas meter temp 2	gasmeter temp ambient		T4 outlet load side
Minuter	VDC	VDC	VDC	VDC	VDC	VDC	VDC	°C	°C	°C	°C	°C	°C	°C	°C	°C	°C
270,500	0,201	0,635	1,332	0,158	0,012	0,328	1,427	93,943	19,751	25,594	22,038	21,376	20,260	20,932	29,966	20,289	60,562
270,833	0,201	0,652	1,343	0,159	0,014	0,313	1,427	93,900	19,785	25,551	22,036	21,362	20,256	20,928	29,966	20,284	60,558
271,167	0,200	0,651	1,339	0,158	0,019	0,313	1,426	93,884	19,764	25,637	22,044	21,379	20,258	20,929	29,961	20,283	60,534
271,500	0,200	0,650	1,339	0,157	0,015	0,315	1,427	93,910	19,783	25,643	22,042	21,361	20,258	20,927	29,955	20,283	60,509
271,833	0,201	0,657	1,340	0,160	0,015	0,308	1,425	93,921	19,764	25,639	22,038	21,360	20,246	20,922	29,950	20,279	60,470
272,167	0,200	0,665	1,354	0,160	0,014	0,302	1,424	93,901	19,725	25,595	22,029	21,351	20,254	20,919	29,936	20,277	60,440
272,500	0,201	0,653	1,344	0,159	0,018	0,313	1,425	93,867	19,722	25,573	22,029	21,330	20,253	20,928	29,945	20,277	60,420
272,833	0,201	0,652	1,325	0,162	0,012	0,313	1,424	93,865	19,749	25,615	22,020	21,336	20,249	20,917	29,943	20,275	60,396
273,167	0,200	0,647	1,332	0,159	0,014	0,317	1,424	93,873	19,750	25,595	22,016	21,346	20,255	20,921	29,947	20,275	60,382
273,500	0,200	0,656	1,343	0,156	0,013	0,309	1,424	93,881	19,757	25,586	22,026	21,345	20,253	20,920	29,951	20,274	60,362
273,833	0,200	0,656	1,332	0,158	0,016	0,310	1,423	93,870	19,755	25,584	22,022	21,350	20,236	20,913	29,947	20,270	60,348
274,167	0,200	0,650	1,342	0,160	0,018	0,315	1,422	93,860	19,766	25,555	22,021	21,339	20,263	20,921	29,962	20,274	60,332
274,500	0,200	0,647	1,333	0,157	0,023	0,318	1,422	93,826	19,771	25,621	22,022	21,354	20,252	20,927	29,977	20,273	60,282
274,834	0,201	0,647	1,330	0,157	0,013	0,317	1,421	93,811	19,740	25,573	22,018	21,342	20,245	20,917	29,974	20,268	60,253
275,167	0,201	0,640	1,339	0,157	0,014	0,324	1,422	93,780	19,737	25,469	22,008	21,335	20,251	20,916	29,974	20,267	60,213
275,500	0,200	0,638	1,327	0,158	0,014	0,325	1,420	93,772	19,745	25,499	21,997	21,334	20,251	20,915	29,978	20,265	60,189
275,834	0,200	0,643	1,340	0,157	0,016	0,320	1,420	93,753	19,718	25,576	22,016	21,339	20,243	20,918	29,980	20,265	60,173
276,167	0,201	0,637	1,330	0,158	0,022	0,326	1,420	93,728	19,726	25,553	22,005	21,332	20,240	20,915	29,981	20,264	60,179
276,500	0,201	0,624	1,338	0,162	0,014	0,338	1,419	93,697	19,760	25,512	22,008	21,349	20,251	20,929	29,981	20,265	60,185
276,834	0,201	0,618	1,335	0,157	0,021	0,343	1,419	93,700	19,724	25,485	22,011	21,333	20,240	20,918	29,960	20,264	60,186
277,167	0,201	0,631	1,329	0,161	0,012	0,331	1,419	93,699	19,702	25,556	22,016	21,343	20,238	20,916	29,966	20,264	60,179
277,500	0,201	0,642	1,335	0,157	0,008	0,322	1,419	93,653	19,683	25,559	22,012	21,331	20,241	20,922	29,972	20,262	60,145
277,833	0,201	0,642	1,340	0,159	0,018	0,322	1,417	93,623	19,724	25,476	22,001	21,328	20,232	20,929	29,970	20,262	60,121
278,167	0,201	0,645	1,347	0,158	0,014	0,319	1,417	93,604	19,730	25,472	21,994	21,328	20,239	20,920	29,974	20,260	60,103
278,500	0,201	0,647	1,343	0,159	0,015	0,317	1,417	93,604	19,757	25,580	21,989	21,328	20,235	20,932	29,969	20,260	60,093
278,833	0,201	0,649	1,341	0,163	0,014	0,316	1,416	93,555	19,742	25,544	21,993	21,313	20,241	20,927	29,970	20,261	60,057
279,167	0,201	0,655	1,337	0,159	0,014	0,310	1,416	93,549	19,732	25,569	21,998	21,321	20,239	20,918	29,964	20,255	60,040
279,500	0,202	0,659	1,339	0,155	0,011	0,307	1,416	93,512	19,693	25,546	22,004	21,317	20,238	20,917	29,969	20,252	60,010
279,833	0,202	0,651	1,327	0,160	0,018	0,314	1,415	93,450	19,715	25,476	21,994	21,328	20,230	20,912	29,964	20,254	59,983
280,167	0,202	0,654	1,334	0,156	0,022	0,312	1,414	93,450	19,713	25,551	21,991	21,319	20,237	20,917	29,964	20,250	59,952
280,500	0,202	0,663	1,345	0,158	0,021	0,303	1,414	93,441	19,709	25,521	21,992	21,328	20,249	20,910	29,964	20,252	59,940
280,834	0,202	0,663	1,334	0,158	0,022	0,303	1,413	93,393	19,729	25,533	21,983	21,317	20,235	20,915	29,954	20,248	59,930
281,167	0,202	0,665	1,331	0,161	0,019	0,302	1,414	93,391	19,704	25,547	21,983	21,309	20,243	20,912	29,969	20,247	59,921
281,500	0,202	0,658	1,347	0,160	0,015	0,308	1,412	93,373	19,726	25,553	21,982	21,310	20,237	20,923	29,970	20,248	59,926
281,834	0,202	0,650	1,343	0,155	0,016	0,315	1,412	93,332	19,711	25,516	21,962	21,301	20,232	20,917	29,968	20,244	59,926
282,167	0,202	0,654	1,331	0,160	0,015	0,312	1,411	93,347	19,717	25,533	21,984	21,302	20,230	20,913	29,966	20,244	59,932
282,500	0,202	0,645	1,322	0,158	0,018	0,319	1,411	93,347	19,730	25,554	21,980	21,317	20,242	20,913	29,956	20,243	59,946

Pellematic 56_cat III_run 1_191210.Dat

Category: III

	1103	1108	1109	130	230	101	102	1	2	3	6	7	8	11	
Mättid	T3 inlet load side	T2 inlet boiler	T1 outlet boiler	Flow load side	Flow boiler side	Heat output load side	Heat output boiler	CO chimney	CO2 chimney	O2 chimney	Pstat	Pdyn	Tunnel velocity	Våg	Tidpunkt
Minuter	°C	°C	°C	m ³ /h	m ³ /h	W	W	ppm	%	%	Pa	Pa	m/s	kg	Klockan
270,500	43,272	50,548	69,746	1,222	1,067	24315,979	23509,255	5,555	11,025	9,826	6,321	53,567	9,449	964,167	2019-12-10 16:55
270,833	43,205	50,537	69,736	1,221	1,064	24385,898	23458,612	4,722	11,344	9,387	6,342	53,513	9,444	964,167	2019-12-10 16:55
271,167	43,135	50,515	69,726	1,222	1,065	24469,298	23493,710	4,300	11,290	9,402	6,328	53,636	9,455	964,168	2019-12-10 16:55
271,500	43,084	50,481	69,743	1,222	1,065	24511,398	23544,577	4,054	11,265	9,436	6,273	53,550	9,447	964,167	2019-12-10 16:56
271,833	43,048	50,432	69,747	1,221	1,063	24493,311	23576,847	5,637	11,525	9,249	6,386	53,755	9,465	964,074	2019-12-10 16:56
272,167	43,017	50,387	69,776	1,222	1,065	24510,840	23705,615	4,346	11,580	9,073	6,388	54,315	9,514	963,982	2019-12-10 16:56
272,500	42,988	50,352	69,773	1,223	1,065	24539,333	23747,896	4,966	11,245	9,378	6,363	53,710	9,461	964,073	2019-12-10 16:57
272,833	42,964	50,326	69,574	1,222	1,064	24526,835	23523,549	4,378	11,313	9,393	6,467	52,904	9,390	963,982	2019-12-10 16:57
273,167	42,951	50,300	69,688	1,221	1,064	24495,699	23694,258	4,471	11,213	9,517	6,364	53,443	9,438	963,981	2019-12-10 16:57
273,500	42,897	50,283	69,698	1,223	1,065	24582,011	23746,522	4,211	11,453	9,283	6,244	53,682	9,459	963,981	2019-12-10 16:58
273,833	42,795	50,265	69,704	1,222	1,066	24700,233	23792,976	4,297	11,348	9,289	6,325	53,250	9,421	963,856	2019-12-10 16:58
274,167	42,708	50,230	69,635	1,223	1,063	24804,614	23694,015	4,383	11,260	9,459	6,397	53,916	9,479	963,856	2019-12-10 16:58
274,500	42,641	50,166	69,662	1,222	1,067	24820,943	23888,063	4,301	11,163	9,536	6,264	53,018	9,400	963,855	2019-12-10 16:59
274,834	42,603	50,108	69,647	1,223	1,066	24850,043	23914,321	4,633	11,208	9,521	6,273	53,399	9,434	963,761	2019-12-10 16:59
275,167	42,613	50,060	69,629	1,222	1,064	24754,558	23901,758	4,455	10,923	9,721	6,299	53,601	9,452	963,855	2019-12-10 16:59
275,500	42,659	50,021	69,671	1,222	1,063	24654,586	23991,993	4,208	11,007	9,753	6,335	53,097	9,407	963,761	2019-12-10 17:00
275,834	42,711	50,003	69,581	1,222	1,064	24558,898	23929,699	4,646	11,080	9,614	6,298	53,330	9,428	963,761	2019-12-10 17:00
276,167	42,740	50,021	69,558	1,220	1,065	24492,302	23892,834	5,637	10,829	9,776	6,322	53,337	9,428	963,762	2019-12-10 17:00
276,500	42,740	50,044	69,598	1,220	1,064	24503,297	23898,499	6,065	10,509	10,132	6,474	53,784	9,468	963,668	2019-12-10 17:01
276,834	42,718	50,062	69,479	1,221	1,064	24554,156	23718,678	6,404	10,565	10,279	6,280	53,081	9,406	963,668	2019-12-10 17:01
277,167	42,700	50,067	69,482	1,222	1,064	24584,798	23730,663	6,229	10,859	9,929	6,425	52,988	9,398	963,668	2019-12-10 17:01
277,500	42,698	50,051	69,423	1,221	1,064	24512,956	23677,199	6,749	11,000	9,666	6,281	53,441	9,438	963,668	2019-12-10 17:02
277,833	42,700	50,035	69,289	1,221	1,064	24491,597	23516,156	6,900	11,038	9,656	6,341	53,665	9,457	963,575	2019-12-10 17:02
278,167	42,702	50,021	69,345	1,220	1,065	24438,765	23628,004	6,737	11,179	9,582	6,310	53,975	9,485	963,574	2019-12-10 17:02
278,500	42,698	50,013	69,375	1,220	1,064	24432,136	23645,393	6,400	11,145	9,509	6,377	53,972	9,484	963,574	2019-12-10 17:03
278,833	42,688	50,011	69,318	1,222	1,065	24428,747	23603,674	7,072	11,296	9,482	6,523	53,675	9,458	963,483	2019-12-10 17:03
279,167	42,669	49,997	69,264	1,222	1,065	24441,090	23564,893	6,990	11,444	9,302	6,371	53,391	9,433	963,483	2019-12-10 17:03
279,500	42,647	49,986	69,269	1,221	1,065	24398,183	23573,681	7,909	11,413	9,208	6,185	53,845	9,473	963,481	2019-12-10 17:04
279,833	42,629	49,968	69,228	1,222	1,061	24413,919	23465,472	7,658	11,313	9,424	6,417	53,088	9,406	963,482	2019-12-10 17:04
280,167	42,624	49,939	69,305	1,222	1,064	24368,954	23656,921	7,316	11,437	9,346	6,250	53,513	9,444	963,354	2019-12-10 17:04
280,500	42,639	49,920	69,277	1,221	1,061	24320,170	23593,552	7,403	11,557	9,100	6,316	53,692	9,460	963,353	2019-12-10 17:05
280,834	42,677	49,910	69,269	1,220	1,064	24237,660	23649,284	7,489	11,598	9,092	6,324	53,241	9,420	963,259	2019-12-10 17:05
281,167	42,728	49,911	69,149	1,222	1,064	24192,074	23514,270	7,708	11,573	9,069	6,460	52,935	9,393	963,353	2019-12-10 17:05
281,500	42,768	49,931	69,179	1,223	1,063	24147,118	23504,518	7,741	11,464	9,254	6,418	53,672	9,458	963,260	2019-12-10 17:06
281,834	42,790	49,956	69,191	1,222	1,062	24093,155	23455,048	8,498	11,186	9,462	6,195	53,900	9,478	963,259	2019-12-10 17:06
282,167	42,808	49,979	69,186	1,222	1,062	24081,967	23433,061	8,914	11,361	9,352	6,409	53,273	9,423	963,259	2019-12-10 17:06
282,500	42,817	49,998	69,201	1,222	1,065	24090,103	23493,463	9,007	11,106	9,572	6,325	52,694	9,371	963,165	2019-12-10 17:07

Pellematic 56_cat III_run 1_191210.Dat

Category: III

	301	302	304	305	306	308	317	1311	1312	1313	1314	1315	1316	1317	1318	1101	1102
Mättid	CO chimney	CO2 chimney	Pdyn	Pstat	Static pressure chimney	O2 chimney	Våg	Flue gas temp	Ambient	Flue gas at pitot	filter temp 1	filter temp 2	gas meter temp 1	gas meter temp 2	gasmeter temp ambient		T4 outlet load side
Minuter	VDC	VDC	VDC	VDC	VDC	VDC	VDC	°C	°C	°C	°C	°C	°C	°C	°C	°C	°C
282,834	0,202	0,646	1,325	0,160	0,013	0,319	1,411	93,356	19,664	25,613	21,986	21,300	20,238	20,919	29,952	20,240	59,940
283,167	0,202	0,650	1,332	0,156	0,016	0,315	1,411	93,370	19,693	25,599	21,996	21,312	20,221	20,908	29,954	20,240	59,934
283,500	0,203	0,660	1,338	0,156	0,014	0,306	1,409	93,349	19,739	25,541	21,994	21,306	20,225	20,921	29,960	20,239	59,923
283,833	0,203	0,668	1,349	0,156	0,015	0,299	1,409	93,349	19,765	25,536	21,985	21,309	20,227	20,907	29,958	20,238	59,922
284,167	0,203	0,668	1,336	0,158	0,014	0,299	1,409	93,352	19,706	25,609	21,997	21,305	20,232	20,908	29,972	20,237	59,903
284,500	0,203	0,655	1,332	0,156	0,014	0,311	1,409	93,334	19,707	25,480	21,981	21,300	20,220	20,909	29,972	20,236	59,901
284,833	0,203	0,640	1,334	0,156	0,014	0,324	1,407	93,323	19,694	25,482	21,982	21,303	20,225	20,902	29,970	20,237	59,891
285,167	0,203	0,644	1,337	0,156	0,014	0,320	1,406	93,278	19,727	25,482	21,977	21,299	20,234	20,907	29,981	20,234	59,894
285,500	0,203	0,652	1,330	0,158	0,018	0,313	1,407	93,277	19,752	25,535	21,984	21,303	20,216	20,898	29,973	20,234	59,897
285,833	0,203	0,660	1,334	0,158	0,014	0,306	1,406	93,269	19,760	25,532	21,975	21,304	20,214	20,911	29,986	20,231	59,887
286,167	0,203	0,652	1,348	0,155	0,015	0,314	1,405	93,270	19,794	25,533	21,986	21,305	20,221	20,906	29,999	20,231	59,887
286,500	0,203	0,643	1,331	0,157	0,012	0,320	1,405	93,267	19,773	25,532	21,997	21,302	20,215	20,902	30,001	20,231	59,869
286,833	0,203	0,659	1,333	0,156	0,013	0,306	1,405	93,269	19,727	25,437	21,993	21,309	20,223	20,901	29,989	20,230	59,864
287,167	0,203	0,654	1,320	0,157	0,018	0,311	1,403	93,267	19,748	25,445	21,992	21,306	20,215	20,897	29,968	20,226	59,854
287,500	0,202	0,661	1,344	0,156	0,015	0,304	1,403	93,278	19,782	25,442	21,982	21,318	20,221	20,902	29,977	20,227	59,832
287,834	0,202	0,676	1,341	0,157	0,019	0,292	1,403	93,295	19,779	25,522	21,986	21,318	20,224	20,908	29,981	20,227	59,820
288,167	0,202	0,680	1,339	0,157	0,011	0,288	1,403	93,324	19,760	25,503	21,984	21,303	20,215	20,897	29,984	20,225	59,812
288,500	0,202	0,691	1,341	0,157	0,015	0,279	1,402	93,319	19,710	25,514	21,979	21,295	20,222	20,888	29,986	20,226	59,812
288,834	0,202	0,675	1,338	0,158	0,011	0,294	1,402	93,322	19,736	25,470	21,964	21,298	20,221	20,900	29,992	20,224	59,808
289,167	0,202	0,654	1,329	0,157	0,016	0,311	1,401	93,282	19,706	25,467	21,968	21,299	20,216	20,900	29,981	20,223	59,830
289,500	0,202	0,656	1,344	0,158	0,014	0,309	1,401	93,281	19,735	25,442	21,963	21,302	20,211	20,900	29,975	20,222	59,850
289,834	0,202	0,653	1,341	0,156	0,017	0,313	1,400	93,279	19,749	25,503	21,978	21,315	20,223	20,903	29,979	20,222	59,857
290,167	0,202	0,647	1,342	0,155	0,015	0,317	1,400	93,291	19,712	25,522	21,980	21,302	20,218	20,900	29,991	20,221	59,871
290,500	0,202	0,644	1,344	0,158	0,010	0,319	1,400	93,296	19,740	25,477	21,980	21,306	20,209	20,885	29,987	20,218	59,871
290,833	0,202	0,652	1,346	0,156	0,020	0,313	1,399	93,294	19,749	25,425	21,968	21,295	20,205	20,895	30,001	20,216	59,877
291,167	0,202	0,635	1,334	0,156	0,014	0,328	1,399	93,292	19,740	25,481	21,965	21,292	20,218	20,898	29,993	20,215	59,877
291,500	0,202	0,632	1,327	0,161	0,017	0,330	1,398	93,283	19,732	25,469	21,972	21,289	20,218	20,894	29,993	20,214	59,875
291,833	0,202	0,627	1,327	0,157	0,014	0,335	1,397	93,246	19,696	25,497	21,977	21,288	20,212	20,886	30,002	20,213	59,886
292,167	0,201	0,628	1,337	0,157	0,021	0,334	1,396	93,262	19,699	25,471	21,973	21,280	20,214	20,893	29,996	20,212	59,893
292,500	0,201	0,658	1,344	0,157	0,018	0,308	1,397	93,252	19,696	25,514	21,980	21,282	20,220	20,895	30,008	20,212	59,893
292,833	0,201	0,671	1,343	0,155	0,014	0,296	1,396	93,232	19,715	25,482	21,966	21,293	20,214	20,897	30,009	20,209	59,885
293,167	0,201	0,658	1,340	0,157	0,010	0,307	1,396	93,252	19,668	25,496	21,966	21,299	20,218	20,895	30,001	20,208	59,897
293,500	0,201	0,645	1,348	0,160	0,015	0,318	1,396	93,274	19,700	25,474	21,953	21,298	20,208	20,883	30,003	20,206	59,901
293,833	0,201	0,648	1,342	0,157	0,015	0,315	1,395	93,268	19,662	25,486	21,974	21,285	20,217	20,879	30,007	20,206	59,906
294,167	0,201	0,660	1,345	0,160	0,016	0,306	1,395	93,249	19,692	25,448	21,960	21,292	20,213	20,887	30,012	20,206	59,907
294,500	0,201	0,664	1,346	0,157	0,013	0,303	1,395	93,242	19,684	25,491	21,960	21,294	20,218	20,889	30,017	20,205	59,924
294,834	0,201	0,663	1,342	0,158	0,013	0,304	1,392	93,250	19,689	25,451	21,962	21,295	20,222	20,885	30,041	20,206	59,950

Pellematic 56_cat III_run 1_191210.Dat

Category: III

	1103	1108	1109	130	230	101	102	1	2	3	6	7	8	11	
Mättid	T3 inlet load side	T2 inlet boiler	T1 outlet boiler	Flow load side	Flow boiler side	Heat output load side	Heat output boiler	CO chimney	CO2 chimney	O2 chimney	Pstat	Pdyn	Tunnel velocity	Våg	Tidpunkt
Minuter	°C	°C	°C	m ³ /h	m ³ /h	W	W	ppm	%	%	Pa	Pa	m/s	kg	Klockan
282,834	42,811	50,009	69,124	1,221	1,063	24068,741	23335,356	9,082	11,071	9,569	6,400	52,942	9,393	963,165	2019-12-10 17:07
283,167	42,809	50,015	69,166	1,224	1,065	24122,316	23418,860	9,495	11,322	9,443	6,250	53,290	9,424	963,165	2019-12-10 17:07
283,500	42,792	50,013	69,147	1,221	1,065	24084,688	23389,557	9,998	11,544	9,192	6,240	53,950	9,482	963,071	2019-12-10 17:08
283,833	42,758	50,010	69,127	1,222	1,063	24148,801	23336,455	10,589	11,749	8,983	6,233	53,923	9,480	963,071	2019-12-10 17:08
284,167	42,740	50,001	69,087	1,223	1,065	24155,078	23340,867	9,923	11,644	8,984	6,322	53,263	9,422	963,072	2019-12-10 17:08
284,500	42,749	49,982	69,122	1,223	1,064	24139,339	23391,198	10,373	11,298	9,328	6,238	53,535	9,446	963,072	2019-12-10 17:09
284,833	42,750	49,971	69,152	1,222	1,064	24106,780	23431,516	10,173	10,905	9,722	6,221	53,303	9,425	962,979	2019-12-10 17:09
285,167	42,731	49,963	69,140	1,221	1,065	24128,435	23445,342	10,165	11,187	9,603	6,256	53,154	9,412	962,853	2019-12-10 17:09
285,500	42,719	49,970	69,123	1,221	1,066	24152,053	23446,306	10,840	11,348	9,391	6,313	53,433	9,437	962,853	2019-12-10 17:10
285,833	42,708	49,970	69,141	1,222	1,065	24158,962	23450,505	11,093	11,529	9,186	6,314	53,663	9,457	962,853	2019-12-10 17:10
286,167	42,678	49,964	69,087	1,222	1,065	24200,668	23381,448	10,589	11,233	9,407	6,200	54,020	9,489	962,772	2019-12-10 17:10
286,500	42,658	49,949	69,094	1,222	1,065	24207,956	23421,093	10,844	11,171	9,610	6,291	53,250	9,421	962,758	2019-12-10 17:11
286,833	42,621	49,933	69,080	1,221	1,066	24238,491	23427,848	9,917	11,483	9,191	6,256	53,421	9,436	962,852	2019-12-10 17:11
287,167	42,586	49,917	69,046	1,223	1,066	24302,025	23407,248	10,087	11,418	9,336	6,281	52,826	9,383	962,665	2019-12-10 17:11
287,500	42,576	49,889	69,105	1,222	1,065	24270,372	23501,728	9,081	11,603	9,124	6,235	53,842	9,473	962,759	2019-12-10 17:12
287,834	42,570	49,869	69,095	1,221	1,065	24252,500	23523,231	8,907	11,895	8,747	6,266	53,734	9,463	962,665	2019-12-10 17:12
288,167	42,561	49,856	69,105	1,223	1,065	24288,154	23531,047	8,316	12,165	8,640	6,261	53,505	9,443	962,665	2019-12-10 17:12
288,500	42,590	49,840	69,122	1,221	1,065	24205,606	23577,119	8,582	12,235	8,385	6,268	53,697	9,460	962,572	2019-12-10 17:13
288,834	42,654	49,837	69,105	1,223	1,065	24142,599	23556,340	8,241	11,704	8,821	6,317	53,333	9,428	962,571	2019-12-10 17:13
289,167	42,667	49,855	69,116	1,222	1,064	24132,807	23528,061	7,984	11,323	9,337	6,282	53,209	9,417	962,571	2019-12-10 17:13
289,500	42,647	49,883	69,121	1,222	1,064	24190,429	23512,872	7,819	11,345	9,279	6,313	53,744	9,464	962,571	2019-12-10 17:14
289,834	42,636	49,901	69,207	1,221	1,064	24211,289	23589,159	7,403	11,369	9,381	6,240	53,805	9,470	962,479	2019-12-10 17:14
290,167	42,623	49,898	69,202	1,222	1,066	24258,795	23626,512	7,813	11,194	9,518	6,199	53,605	9,452	962,571	2019-12-10 17:14
290,500	42,614	49,897	69,122	1,221	1,064	24263,003	23481,406	7,912	11,083	9,580	6,318	53,759	9,466	962,479	2019-12-10 17:15
290,833	42,654	49,892	69,227	1,221	1,065	24214,690	23652,807	7,324	11,263	9,394	6,258	53,585	9,450	962,353	2019-12-10 17:15
291,167	42,686	49,896	69,174	1,221	1,065	24168,911	23571,464	7,075	10,760	9,845	6,259	53,466	9,440	962,479	2019-12-10 17:15
291,500	42,714	49,912	69,122	1,224	1,065	24169,768	23502,652	7,491	10,772	9,909	6,421	53,194	9,416	962,353	2019-12-10 17:16
291,833	42,708	49,929	69,165	1,222	1,065	24164,535	23523,579	7,395	10,651	10,048	6,269	53,403	9,434	962,259	2019-12-10 17:16
292,167	42,715	49,949	69,109	1,221	1,065	24140,588	23431,950	6,651	10,784	10,018	6,279	53,475	9,441	962,259	2019-12-10 17:16
292,500	42,774	49,947	69,118	1,222	1,065	24080,493	23445,733	5,813	11,623	9,230	6,299	53,589	9,451	962,259	2019-12-10 17:17
292,833	42,823	49,960	69,136	1,223	1,066	24009,242	23479,777	5,726	11,801	8,884	6,193	53,924	9,480	962,259	2019-12-10 17:17
293,167	42,823	49,981	69,206	1,223	1,066	24029,665	23531,727	5,392	11,392	9,219	6,282	53,623	9,454	962,259	2019-12-10 17:17
293,500	42,825	50,009	69,161	1,223	1,066	24039,252	23449,627	5,565	11,024	9,554	6,386	53,895	9,478	962,259	2019-12-10 17:18
293,833	42,894	50,018	69,124	1,222	1,065	23934,339	23366,123	5,804	11,355	9,457	6,295	53,357	9,430	962,165	2019-12-10 17:18
294,167	43,007	50,030	69,106	1,222	1,066	23766,239	23348,286	5,546	11,470	9,188	6,396	53,895	9,478	962,165	2019-12-10 17:18
294,500	43,141	50,062	69,118	1,224	1,065	23640,138	23311,368	5,387	11,609	9,096	6,275	53,780	9,467	962,165	2019-12-10 17:19
294,834	43,346	50,122	69,042	1,223	1,068	23376,461	23212,195	4,800	11,547	9,129	6,327	53,548	9,447	961,979	2019-12-10 17:19

Pellematic 56_cat III_run 1_191210.Dat

Category: III

	301	302	304	305	306	308	317	1311	1312	1313	1314	1315	1316	1317	1318	1101	1102
Mättid	CO chimney	CO2 chimney	Pdyn	Pstat	Static pressure chimney	O2 chimney	Våg	Flue gas temp	Ambient	Flue gas at pitot	filter temp 1	filter temp 2	gas meter temp 1	gas meter temp 2	gasmeter temp ambient		T4 outlet load side
Minuter	VDC	VDC	VDC	VDC	VDC	VDC	VDC	°C	°C	°C	°C	°C	°C	°C	°C	°C	°C
295,167	0,201	0,661	1,341	0,155	0,020	0,306	1,393	93,232	19,692	25,419	21,961	21,287	20,217	20,892	30,045	20,204	59,991
295,500	0,201	0,660	1,340	0,158	0,023	0,306	1,392	93,210	19,676	25,487	21,967	21,307	20,218	20,887	30,058	20,202	60,050
295,834	0,201	0,659	1,327	0,158	0,015	0,308	1,392	93,209	19,665	25,397	21,947	21,303	20,218	20,883	30,062	20,200	60,121
296,167	0,201	0,651	1,330	0,157	0,016	0,314	1,391	93,210	19,712	25,449	21,950	21,291	20,214	20,879	30,062	20,199	60,175
296,500	0,201	0,642	1,331	0,158	0,023	0,322	1,391	93,175	19,695	25,482	21,950	21,299	20,209	20,880	30,062	20,198	60,203
296,834	0,201	0,640	1,330	0,159	0,016	0,323	1,391	93,131	19,715	25,435	21,951	21,312	20,209	20,879	30,074	20,196	60,222
297,167	0,201	0,649	1,333	0,161	0,011	0,317	1,391	93,131	19,742	25,485	21,956	21,320	20,213	20,886	30,071	20,199	60,201
297,500	0,201	0,639	1,336	0,156	0,010	0,325	1,389	93,106	19,759	25,498	21,958	21,312	20,211	20,883	30,067	20,198	60,193
297,833	0,201	0,626	1,338	0,154	0,017	0,336	1,389	93,077	19,674	25,494	21,961	21,301	20,205	20,881	30,069	20,196	60,170
298,167	0,201	0,620	1,331	0,156	0,013	0,341	1,389	93,068	19,705	25,479	21,942	21,292	20,208	20,877	30,060	20,192	60,142
298,500	0,201	0,621	1,330	0,162	0,014	0,340	1,387	93,057	19,719	25,466	21,942	21,296	20,211	20,888	30,062	20,192	60,115
298,833	0,201	0,628	1,339	0,158	0,018	0,334	1,388	93,044	19,692	25,544	21,947	21,295	20,210	20,884	30,062	20,192	60,095
299,167	0,201	0,634	1,342	0,156	0,014	0,328	1,387	93,066	19,595	25,480	21,954	21,291	20,213	20,892	30,075	20,193	60,085
299,500	0,201	0,638	1,342	0,156	0,015	0,325	1,387	93,068	19,723	25,533	21,960	21,289	20,222	20,892	30,096	20,193	60,082
299,833	0,201	0,646	1,336	0,159	0,013	0,318	1,386	93,108	19,708	25,461	21,960	21,300	20,217	20,888	30,104	20,192	60,062
300,167	0,201	0,657	1,333	0,157	0,015	0,308	1,387	93,146	19,709	25,446	21,949	21,293	20,214	20,882	30,101	20,188	60,035
300,500	0,201	0,654	1,329	0,156	0,012	0,312	1,386	93,157	19,621	25,474	21,950	21,299	20,215	20,886	30,116	20,188	59,994
300,833	0,201	0,658	1,333	0,155	0,012	0,308	1,385	93,142	19,619	25,504	21,961	21,303	20,215	20,889	30,115	20,187	59,946
301,167	0,201	0,671	1,344	0,157	0,016	0,297	1,385	93,151	19,690	25,518	21,953	21,300	20,219	20,882	30,113	20,187	59,916
301,500	0,201	0,666	1,337	0,161	0,018	0,301	1,384	93,157	19,714	25,458	21,948	21,307	20,212	20,889	30,111	20,185	59,903
301,834	0,201	0,651	1,334	0,155	0,012	0,314	1,384	93,149	19,738	25,483	21,955	21,304	20,218	20,883	30,133	20,186	59,906
302,167	0,201	0,651	1,332	0,159	0,011	0,313	1,383	93,137	19,694	25,523	21,963	21,304	20,221	20,884	30,120	20,185	59,912
302,500	0,201	0,659	1,338	0,158	0,014	0,306	1,382	93,110	19,691	25,436	21,946	21,287	20,218	20,875	30,122	20,183	59,912
302,834	0,201	0,658	1,348	0,158	0,014	0,308	1,383	93,104	19,653	25,447	21,960	21,298	20,211	20,885	30,104	20,181	59,918
303,167	0,201	0,646	1,344	0,159	0,015	0,319	1,382	93,095	19,677	25,483	21,947	21,297	20,205	20,881	30,102	20,181	59,926
303,500	0,201	0,651	1,337	0,159	0,017	0,314	1,381	93,107	19,613	25,484	21,937	21,291	20,214	20,885	30,096	20,182	59,912
303,834	0,201	0,660	1,337	0,157	0,013	0,306	1,380	93,112	19,668	25,444	21,953	21,289	20,215	20,874	30,108	20,179	59,914
304,167	0,201	0,653	1,339	0,163	0,015	0,312	1,379	93,112	19,656	25,382	21,943	21,274	20,201	20,876	30,113	20,176	59,901
304,500	0,201	0,652	1,329	0,155	0,014	0,313	1,380	93,128	19,636	25,390	21,941	21,270	20,214	20,884	30,116	20,174	59,906
304,833	0,201	0,647	1,334	0,159	0,017	0,317	1,379	93,168	19,679	25,423	21,954	21,285	20,216	20,877	30,132	20,175	59,908
305,167	0,201	0,668	1,333	0,156	0,011	0,298	1,379	93,186	19,680	25,362	21,950	21,276	20,219	20,876	30,128	20,174	59,906
305,500	0,202	0,686	1,344	0,156	0,014	0,283	1,378	93,220	19,687	25,429	21,940	21,281	20,213	20,886	30,139	20,177	59,915
305,833	0,202	0,692	1,330	0,157	0,015	0,278	1,378	93,219	19,741	25,497	21,936	21,272	20,211	20,881	30,139	20,175	59,926
306,167	0,202	0,692	1,324	0,160	0,012	0,278	1,378	93,233	19,748	25,428	21,939	21,268	20,209	20,883	30,131	20,173	59,915
306,500	0,202	0,688	1,323	0,158	0,017	0,282	1,377	93,255	19,739	25,452	21,941	21,273	20,221	20,881	30,128	20,173	59,912
306,833	0,201	0,687	1,336	0,158	0,013	0,283	1,376	93,250	19,644	25,435	21,949	21,261	20,204	20,872	30,118	20,169	59,920
307,167	0,201	0,687	1,338	0,155	0,015	0,283	1,377	93,271	19,684	25,435	21,933	21,271	20,213	20,883	30,112	20,169	59,928

Pellematic 56_cat III_run 1_191210.Dat

Category: III

	1103	1108	1109	130	230	101	102	1	2	3	6	7	8	11	
Mättid	T3 inlet load side	T2 inlet boiler	T1 outlet boiler	Flow load side	Flow boiler side	Heat output load side	Heat output boiler	CO chimney	CO2 chimney	O2 chimney	Pstat	Pdyn	Tunnel velocity	Våg	Tidpunkt
Minuter	°C	°C	°C	m ³ /h	m ³ /h	W	W	ppm	%	%	Pa	Pa	m/s	kg	Klockan
295,167	43,572	50,210	69,037	1,224	1,064	23128,420	23007,654	5,143	11,510	9,190	6,212	53,812	9,470	962,071	2019-12-10 17:19
295,500	43,704	50,325	69,056	1,223	1,066	22994,535	22923,796	5,141	11,529	9,184	6,307	53,766	9,466	962,071	2019-12-10 17:20
295,834	43,756	50,463	69,042	1,224	1,064	23045,764	22696,355	5,056	11,438	9,236	6,315	52,656	9,368	961,979	2019-12-10 17:20
296,167	43,731	50,567	69,139	1,224	1,067	23151,309	22746,210	5,139	11,188	9,417	6,290	53,499	9,443	961,853	2019-12-10 17:20
296,500	43,645	50,626	69,137	1,224	1,066	23320,499	22658,541	4,977	11,087	9,646	6,302	53,147	9,412	961,853	2019-12-10 17:21
296,834	43,565	50,635	69,098	1,223	1,067	23443,078	22622,830	5,048	11,000	9,695	6,348	53,409	9,435	961,853	2019-12-10 17:21
297,167	43,483	50,610	69,191	1,221	1,065	23487,971	22719,940	5,045	11,178	9,497	6,423	53,521	9,445	961,979	2019-12-10 17:21
297,500	43,400	50,569	69,159	1,220	1,065	23580,389	22733,973	6,144	10,942	9,739	6,251	53,507	9,443	961,759	2019-12-10 17:22
297,833	43,337	50,524	69,181	1,222	1,066	23667,124	22825,456	6,393	10,541	10,082	6,172	53,478	9,441	961,759	2019-12-10 17:22
298,167	43,270	50,476	69,134	1,223	1,065	23749,095	22814,186	5,963	10,503	10,227	6,230	52,960	9,395	961,759	2019-12-10 17:22
298,500	43,222	50,427	69,127	1,222	1,065	23760,644	22871,185	5,549	10,605	10,198	6,467	53,522	9,445	961,665	2019-12-10 17:23
298,833	43,179	50,379	69,147	1,221	1,065	23769,322	22947,721	5,476	10,703	10,013	6,309	53,858	9,474	961,759	2019-12-10 17:23
299,167	43,121	50,347	69,167	1,222	1,066	23851,989	23026,287	5,548	10,903	9,848	6,252	53,662	9,457	961,665	2019-12-10 17:23
299,500	43,034	50,317	69,185	1,220	1,066	23942,388	23091,118	6,308	10,974	9,752	6,253	54,037	9,490	961,666	2019-12-10 17:24
299,833	42,900	50,277	69,136	1,221	1,066	24118,562	23073,200	5,387	11,156	9,538	6,365	53,196	9,416	961,666	2019-12-10 17:24
300,167	42,791	50,226	69,177	1,220	1,063	24218,913	23138,751	4,458	11,502	9,240	6,265	53,353	9,430	961,665	2019-12-10 17:24
300,500	42,735	50,144	69,187	1,221	1,062	24254,613	23229,757	4,635	11,312	9,351	6,231	52,878	9,388	961,572	2019-12-10 17:25
300,833	42,720	50,063	69,207	1,222	1,061	24231,848	23319,636	4,464	11,469	9,240	6,194	53,407	9,435	961,572	2019-12-10 17:25
301,167	42,732	50,004	69,259	1,222	1,061	24164,881	23461,773	4,464	11,801	8,913	6,269	53,871	9,475	961,572	2019-12-10 17:25
301,500	42,738	49,974	69,221	1,221	1,060	24130,529	23432,027	4,886	11,632	9,037	6,443	53,291	9,424	961,479	2019-12-10 17:26
301,834	42,737	49,964	69,277	1,221	1,061	24132,871	23534,101	5,025	11,099	9,425	6,206	53,419	9,436	961,572	2019-12-10 17:26
302,167	42,728	49,964	69,257	1,222	1,060	24161,093	23490,366	4,650	11,397	9,392	6,376	53,015	9,400	961,356	2019-12-10 17:26
302,500	42,719	49,956	69,243	1,221	1,060	24169,994	23484,387	5,467	11,501	9,193	6,316	53,316	9,427	961,356	2019-12-10 17:27
302,834	42,692	49,958	69,279	1,221	1,061	24217,335	23535,351	5,473	11,401	9,245	6,315	54,019	9,489	961,356	2019-12-10 17:27
303,167	42,650	49,954	69,268	1,221	1,060	24271,170	23518,674	5,976	11,149	9,555	6,343	53,729	9,463	961,356	2019-12-10 17:27
303,500	42,629	49,935	69,249	1,221	1,059	24300,031	23492,806	5,890	11,320	9,430	6,357	53,414	9,435	961,261	2019-12-10 17:28
303,834	42,644	49,913	69,202	1,221	1,061	24270,780	23506,969	6,123	11,516	9,170	6,284	53,437	9,437	961,261	2019-12-10 17:28
304,167	42,675	49,905	69,244	1,222	1,062	24227,098	23573,560	5,886	11,266	9,354	6,516	53,620	9,453	961,171	2019-12-10 17:28
304,500	42,700	49,913	69,252	1,221	1,062	24173,435	23572,954	5,553	11,272	9,399	6,209	53,391	9,433	961,261	2019-12-10 17:29
304,833	42,718	49,925	69,194	1,222	1,062	24177,116	23493,598	5,977	11,285	9,505	6,345	53,264	9,422	961,168	2019-12-10 17:29
305,167	42,730	49,938	69,230	1,222	1,062	24160,661	23536,081	6,555	11,866	8,928	6,235	53,324	9,427	961,168	2019-12-10 17:29
305,500	42,743	49,948	69,219	1,221	1,063	24135,658	23520,360	7,068	12,241	8,481	6,239	53,891	9,477	961,074	2019-12-10 17:30
305,833	42,752	49,962	69,215	1,221	1,061	24130,061	23452,802	7,485	12,304	8,340	6,274	52,944	9,394	961,168	2019-12-10 17:30
306,167	42,762	49,975	69,214	1,221	1,059	24097,106	23400,332	8,155	12,268	8,338	6,409	52,783	9,379	961,074	2019-12-10 17:30
306,500	42,766	49,971	69,248	1,222	1,061	24115,491	23483,709	7,407	12,170	8,460	6,311	52,726	9,374	961,073	2019-12-10 17:31
306,833	42,758	49,974	69,219	1,220	1,060	24108,711	23416,621	6,393	12,167	8,483	6,316	53,534	9,446	961,074	2019-12-10 17:31
307,167	42,755	49,971	69,197	1,220	1,059	24119,153	23384,390	6,226	12,194	8,484	6,204	53,552	9,447	961,073	2019-12-10 17:31

Pellematic 56_cat III_run 1_191210.Dat

Category: III

	301	302	304	305	306	308	317	1311	1312	1313	1314	1315	1316	1317	1318	1101	1102
Mättid	CO chimney	CO2 chimney	Pdyn	Pstat	Static pressure chimney	O2 chimney	Våg	Flue gas temp	Ambient	Flue gas at pitot	filter temp 1	filter temp 2	gas meter temp 1	gas meter temp 2	gasmeter temp ambient		T4 outlet load side
Minuter	VDC	VDC	VDC	VDC	VDC	VDC	VDC	°C	°C	°C	°C	°C	°C	°C	°C	°C	°C
307,500	0,201	0,676	1,338	0,159	0,020	0,293	1,376	93,249	19,692	25,477	21,931	21,271	20,209	20,869	30,104	20,167	59,932
307,833	0,201	0,667	1,336	0,158	0,014	0,300	1,375	93,253	19,737	25,457	21,934	21,270	20,211	20,885	30,108	20,169	59,941
308,167	0,201	0,663	1,330	0,155	0,017	0,303	1,376	93,212	19,640	25,453	21,930	21,258	20,207	20,871	30,117	20,165	59,944
308,500	0,201	0,662	1,323	0,153	0,018	0,304	1,376	93,215	19,663	25,422	21,930	21,265	20,203	20,875	30,104	20,163	59,952
308,834	0,201	0,656	1,327	0,157	0,019	0,310	1,374	93,194	19,701	25,424	21,924	21,271	20,198	20,882	30,115	20,161	59,957
309,167	0,201	0,658	1,341	0,157	0,013	0,308	1,373	93,180	19,652	25,467	21,920	21,264	20,204	20,867	30,124	20,161	59,967
309,500	0,201	0,654	1,320	0,160	0,017	0,311	1,374	93,220	19,601	25,425	21,913	21,263	20,205	20,863	30,109	20,160	59,970
309,834	0,201	0,655	1,331	0,157	0,014	0,310	1,372	93,205	19,652	25,418	21,914	21,256	20,194	20,875	30,120	20,158	59,993
310,167	0,201	0,657	1,321	0,159	0,013	0,308	1,372	93,201	19,674	25,428	21,919	21,256	20,201	20,859	30,098	20,157	60,007
310,500	0,201	0,661	1,338	0,159	0,014	0,305	1,371	93,210	19,679	25,460	21,924	21,264	20,196	20,869	30,116	20,157	60,034
310,834	0,201	0,672	1,339	0,158	0,014	0,296	1,371	93,210	19,696	25,447	21,925	21,265	20,198	20,870	30,103	20,155	60,058
311,167	0,201	0,675	1,335	0,158	0,015	0,292	1,370	93,208	19,646	25,440	21,919	21,260	20,188	20,867	30,092	20,153	60,077
311,500	0,201	0,680	1,337	0,162	0,017	0,289	1,370	93,210	19,666	25,417	21,914	21,250	20,193	20,872	30,105	20,151	60,097
311,833	0,201	0,677	1,336	0,156	0,017	0,292	1,369	93,220	19,659	25,443	21,910	21,251	20,183	20,865	30,085	20,149	60,110
312,167	0,201	0,665	1,326	0,158	0,015	0,302	1,369	93,220	19,692	25,396	21,899	21,252	20,184	20,865	30,072	20,147	60,137
312,500	0,201	0,661	1,330	0,160	0,015	0,305	1,368	93,222	19,679	25,444	21,922	21,257	20,193	20,860	30,072	20,147	60,164
312,833	0,201	0,675	1,316	0,156	0,013	0,293	1,368	93,250	19,670	25,521	21,923	21,254	20,192	20,855	30,081	20,147	60,173
313,167	0,201	0,678	1,329	0,159	0,019	0,290	1,368	93,252	19,648	25,469	21,929	21,260	20,192	20,861	30,065	20,149	60,170
313,500	0,201	0,672	1,336	0,156	0,017	0,296	1,366	93,225	19,652	25,430	21,925	21,256	20,182	20,851	30,072	20,146	60,154
313,833	0,201	0,680	1,338	0,160	0,013	0,289	1,366	93,256	19,670	25,400	21,917	21,260	20,182	20,857	30,068	20,147	60,132
314,167	0,201	0,684	1,322	0,159	0,014	0,286	1,366	93,243	19,670	25,392	21,908	21,248	20,190	20,854	30,059	20,143	60,103
314,500	0,201	0,681	1,320	0,159	0,013	0,288	1,365	93,257	19,673	25,435	21,915	21,251	20,181	20,856	30,066	20,143	60,081
314,834	0,201	0,679	1,337	0,158	0,015	0,290	1,366	93,316	19,683	25,495	21,914	21,260	20,189	20,847	30,088	20,145	60,070
315,167	0,201	0,684	1,334	0,159	0,016	0,284	1,363	93,330	19,712	25,484	21,910	21,274	20,198	20,853	30,094	20,148	60,058
315,500	0,201	0,678	1,340	0,156	0,018	0,290	1,363	93,327	19,770	25,515	21,914	21,261	20,186	20,863	30,085	20,147	60,057
315,834	0,201	0,685	1,336	0,158	0,008	0,284	1,362	93,325	19,717	25,615	21,917	21,258	20,195	20,852	30,075	20,147	60,053
316,167	0,201	0,692	1,337	0,157	0,017	0,279	1,363	93,346	19,689	25,514	21,908	21,245	20,184	20,854	30,068	20,142	60,073
316,500	0,201	0,666	1,332	0,157	0,017	0,301	1,362	93,366	19,687	25,471	21,924	21,238	20,178	20,857	30,074	20,141	60,101
316,834	0,201	0,664	1,334	0,157	0,015	0,303	1,362	93,389	19,641	25,454	21,904	21,258	20,189	20,856	30,075	20,144	60,130
317,167	0,201	0,668	1,327	0,158	0,017	0,299	1,361	93,371	19,662	25,494	21,918	21,254	20,193	20,857	30,051	20,139	60,143
317,500	0,202	0,662	1,323	0,157	0,017	0,305	1,361	93,356	19,656	25,505	21,924	21,251	20,188	20,856	30,064	20,138	60,169
317,833	0,202	0,656	1,322	0,159	0,012	0,310	1,360	93,368	19,641	25,454	21,928	21,266	20,192	20,858	30,067	20,137	60,205
318,167	0,201	0,661	1,329	0,158	0,019	0,305	1,360	93,362	19,688	25,456	21,936	21,255	20,199	20,845	30,077	20,139	60,208
318,500	0,201	0,663	1,320	0,158	0,018	0,304	1,360	93,339	19,641	25,465	21,926	21,264	20,203	20,847	30,079	20,137	60,213
318,833	0,201	0,655	1,334	0,160	0,016	0,311	1,359	93,321	19,610	25,432	21,915	21,246	20,183	20,847	30,070	20,134	60,221
319,167	0,201	0,648	1,322	0,158	0,010	0,317	1,359	93,315	19,634	25,384	21,911	21,245	20,189	20,860	30,061	20,132	60,213
319,500	0,201	0,658	1,336	0,160	0,014	0,308	1,358	93,343	19,676	25,441	21,918	21,257	20,181	20,852	30,055	20,131	60,190

Pellematic 56_cat III_run 1_191210.Dat

Category: III

	1103	1108	1109	130	230	101	102	1	2	3	6	7	8	11	
Mättid	T3 inlet load side	T2 inlet boiler	T1 outlet boiler	Flow load side	Flow boiler side	Heat output load side	Heat output boiler	CO chimney	CO2 chimney	O2 chimney	Pstat	Pdyn	Tunnel velocity	Våg	Tidpunkt
Minuter	°C	°C	°C	m ³ /h	m ³ /h	W	W	ppm	%	%	Pa	Pa	m/s	kg	Klockan
307,500	42,740	49,974	69,288	1,222	1,061	24173,965	23534,078	6,223	11,814	8,784	6,378	53,294	9,425	960,981	2019-12-10 17:32
307,833	42,718	49,978	69,323	1,219	1,060	24168,248	23547,057	6,647	11,640	9,014	6,307	53,532	9,446	960,981	2019-12-10 17:32
308,167	42,699	49,974	69,343	1,221	1,059	24233,696	23546,613	6,661	11,618	9,095	6,212	53,069	9,405	960,981	2019-12-10 17:32
308,500	42,705	49,959	69,296	1,219	1,061	24197,861	23547,836	5,555	11,513	9,133	6,130	52,581	9,361	960,982	2019-12-10 17:33
308,834	42,734	49,957	69,388	1,220	1,059	24191,530	23631,228	5,808	11,328	9,289	6,286	53,565	9,449	960,856	2019-12-10 17:33
309,167	42,770	49,958	69,393	1,222	1,058	24180,091	23600,879	6,476	11,479	9,241	6,264	53,328	9,428	960,769	2019-12-10 17:33
309,500	42,812	49,970	69,355	1,221	1,060	24104,359	23593,770	5,826	11,371	9,336	6,394	52,617	9,365	960,855	2019-12-10 17:34
309,834	42,872	49,994	69,339	1,221	1,061	24062,065	23558,495	4,971	11,351	9,299	6,276	53,254	9,421	960,667	2019-12-10 17:34
310,167	42,930	50,027	69,396	1,220	1,059	23982,808	23561,261	5,224	11,517	9,234	6,362	52,823	9,383	960,761	2019-12-10 17:34
310,500	42,971	50,061	69,370	1,221	1,061	23971,761	23529,360	4,793	11,586	9,148	6,363	53,781	9,468	960,667	2019-12-10 17:35
310,834	43,012	50,105	69,464	1,221	1,058	23955,114	23519,513	5,395	11,791	8,871	6,330	53,562	9,448	960,761	2019-12-10 17:35
311,167	43,050	50,136	69,436	1,221	1,060	23919,187	23500,867	5,309	11,895	8,769	6,312	53,448	9,438	960,575	2019-12-10 17:35
311,500	43,086	50,164	69,386	1,221	1,059	23913,585	23374,929	5,214	12,073	8,659	6,473	53,398	9,434	960,574	2019-12-10 17:36
311,833	43,125	50,197	69,384	1,221	1,058	23869,900	23312,765	5,715	11,843	8,759	6,255	53,448	9,438	960,574	2019-12-10 17:36
312,167	43,144	50,215	69,428	1,220	1,062	23861,784	23424,047	5,722	11,546	9,060	6,309	53,080	9,406	960,574	2019-12-10 17:36
312,500	43,116	50,250	69,454	1,221	1,059	23949,361	23356,716	6,398	11,592	9,150	6,400	53,139	9,411	960,481	2019-12-10 17:37
312,833	43,009	50,270	69,426	1,220	1,059	24103,766	23296,999	5,897	11,949	8,776	6,258	52,631	9,366	960,482	2019-12-10 17:37
313,167	42,878	50,258	69,416	1,221	1,059	24293,569	23287,690	6,055	11,917	8,693	6,354	53,460	9,439	960,481	2019-12-10 17:37
313,500	42,754	50,212	69,497	1,220	1,061	24443,226	23490,220	6,058	11,852	8,876	6,257	53,768	9,466	960,358	2019-12-10 17:38
313,833	42,647	50,153	69,516	1,221	1,058	24575,852	23530,685	5,631	12,019	8,659	6,384	53,091	9,407	960,356	2019-12-10 17:38
314,167	42,561	50,075	69,491	1,220	1,061	24636,456	23650,815	5,542	12,117	8,567	6,361	52,934	9,393	960,356	2019-12-10 17:38
314,500	42,511	50,009	69,586	1,220	1,061	24681,741	23848,111	5,302	11,977	8,653	6,347	52,679	9,370	960,262	2019-12-10 17:39
314,834	42,490	49,951	69,593	1,220	1,060	24699,503	23909,568	5,374	11,994	8,696	6,322	53,840	9,473	960,357	2019-12-10 17:39
315,167	42,489	49,914	69,573	1,220	1,060	24679,292	23924,441	5,135	12,116	8,528	6,349	53,471	9,440	960,168	2019-12-10 17:39
315,500	42,499	49,891	69,649	1,220	1,058	24661,959	24002,941	6,241	11,939	8,703	6,248	53,445	9,438	960,168	2019-12-10 17:40
315,834	42,525	49,881	69,634	1,221	1,061	24636,246	24071,772	5,890	12,253	8,516	6,314	53,486	9,442	960,075	2019-12-10 17:40
316,167	42,573	49,891	69,614	1,220	1,059	24570,078	23991,922	6,172	12,270	8,362	6,264	53,373	9,432	960,168	2019-12-10 17:40
316,500	42,629	49,908	69,673	1,220	1,061	24533,023	24079,154	6,751	11,522	9,026	6,288	53,167	9,413	960,073	2019-12-10 17:41
316,834	42,676	49,940	69,637	1,219	1,058	24501,026	23932,767	4,974	11,570	9,084	6,265	53,177	9,414	960,168	2019-12-10 17:41
317,167	42,700	49,970	69,727	1,220	1,059	24494,068	24017,210	7,406	11,701	8,966	6,339	53,057	9,404	960,075	2019-12-10 17:41
317,500	42,714	49,997	69,672	1,221	1,060	24529,878	23938,848	7,730	11,497	9,153	6,281	52,544	9,358	960,074	2019-12-10 17:42
317,833	42,724	50,033	69,662	1,221	1,060	24562,289	23897,928	7,738	11,365	9,288	6,344	52,922	9,392	960,074	2019-12-10 17:42
318,167	42,721	50,049	69,698	1,219	1,059	24535,928	23899,353	6,223	11,575	9,157	6,324	52,931	9,392	959,982	2019-12-10 17:42
318,500	42,681	50,066	69,787	1,219	1,060	24606,828	23997,458	5,642	11,586	9,107	6,311	52,865	9,387	959,982	2019-12-10 17:43
318,833	42,617	50,065	69,745	1,220	1,059	24718,478	23933,812	6,225	11,247	9,330	6,402	53,508	9,444	959,982	2019-12-10 17:43
319,167	42,564	50,046	69,691	1,219	1,058	24764,670	23873,064	5,886	11,127	9,505	6,303	52,731	9,375	959,856	2019-12-10 17:43
319,500	42,516	50,013	69,627	1,220	1,058	24813,494	23830,241	6,143	11,607	9,227	6,403	53,544	9,447	959,856	2019-12-10 17:44

Pellematic 56_cat III_run 1_191210.Dat

Category: III

	301	302	304	305	306	308	317	1311	1312	1313	1314	1315	1316	1317	1318	1101	1102
Mättid	CO chimney	CO2 chimney	Pdyn	Pstat	Static pressure chimney	O2 chimney	Våg	Flue gas temp	Ambient	Flue gas at pitot	filter temp 1	filter temp 2	gas meter temp 1	gas meter temp 2	gasmeter temp ambient		T4 outlet load side
Minuter	VDC	VDC	VDC	VDC	VDC	VDC	VDC	°C	°C	°C	°C	°C	°C	°C	°C	°C	°C
319,833	0,201	0,679	1,341	0,159	0,015	0,290	1,358	93,342	19,691	25,281	21,892	21,252	20,191	20,853	30,045	20,132	60,169
320,167	0,201	0,703	1,341	0,166	0,017	0,269	1,357	93,274	19,695	24,444	21,830	21,226	20,191	20,843	30,044	20,131	60,165
320,500	0,213	0,719	1,332	0,166	0,014	0,258	1,356	92,931	19,669	24,068	21,785	21,203	20,198	20,849	30,050	20,132	60,146
320,833	0,213	0,682	1,341	0,165	0,017	0,291	1,356	92,506	19,681	23,873	21,735	21,185	20,193	20,860	30,042	20,131	60,138
321,167	0,213	0,651	1,356	0,164	0,013	0,318	1,357	92,105	19,688	23,728	21,693	21,170	20,188	20,854	30,041	20,127	60,119
321,500	0,212	0,614	1,349	0,163	0,018	0,351	1,356	91,699	19,692	23,701	21,663	21,155	20,183	20,847	30,047	20,127	60,113
321,834	0,209	0,575	1,356	0,164	0,015	0,384	1,356	91,309	19,634	23,569	21,632	21,145	20,184	20,850	30,036	20,125	60,095
322,167	0,208	0,544	1,351	0,163	0,019	0,410	1,356	90,907	19,707	23,503	21,596	21,124	20,190	20,856	30,041	20,124	60,049
322,500	0,209	0,511	1,335	0,164	0,019	0,437	1,356	90,519	19,687	23,427	21,567	21,109	20,184	20,843	30,052	20,123	59,980
322,834	0,211	0,484	1,340	0,161	0,009	0,462	1,358	90,094	19,680	23,444	21,552	21,098	20,183	20,848	30,049	20,126	59,886
323,167	0,215	0,457	1,340	0,163	0,014	0,484	1,357	89,703	19,704	23,416	21,532	21,094	20,187	20,843	30,051	20,123	59,777
323,500	0,224	0,435	1,341	0,163	0,019	0,503	1,358	89,337	19,685	23,358	21,516	21,065	20,174	20,844	30,040	20,119	59,639
323,834	0,235	0,420	1,335	0,161	0,014	0,516	1,358	88,986	19,658	23,351	21,488	21,055	20,171	20,855	30,038	20,117	59,495
324,167	0,252	0,404	1,335	0,162	0,014	0,530	1,358	88,652	19,663	23,304	21,470	21,036	20,172	20,850	30,036	20,119	59,325
324,500	0,274	0,391	1,341	0,161	0,021	0,541	1,358	88,307	19,610	23,292	21,462	21,017	20,176	20,840	30,035	20,118	59,151
324,833	0,298	0,380	1,338	0,160	0,013	0,550	1,358	87,936	19,630	23,263	21,441	21,017	20,176	20,848	30,017	20,115	58,973
325,167	0,324	0,370	1,337	0,159	0,017	0,559	1,356	87,558	19,638	23,227	21,427	21,004	20,171	20,846	30,006	20,115	58,780
325,500	0,349	0,362	1,336	0,160	0,021	0,566	1,355	87,174	19,629	23,221	21,413	20,989	20,161	20,833	29,995	20,114	58,600
325,833	0,351	0,355	1,347	0,159	0,013	0,573	1,358	86,854	19,643	23,189	21,407	20,995	20,165	20,842	29,993	20,113	58,408
326,167	0,374	0,348	1,351	0,158	0,018	0,579	1,360	86,500	19,653	23,210	21,395	20,984	20,176	20,838	29,998	20,115	58,223
326,500	0,391	0,341	1,351	0,161	0,017	0,585	1,360	85,913	19,626	22,518	21,330	20,957	20,168	20,842	30,006	20,113	58,033
326,833	0,380	0,322	1,357	0,157	0,023	0,602	1,360	84,841	19,661	21,833	21,253	20,915	20,167	20,832	30,005	20,108	57,831
327,167	0,332	0,292	1,347	0,153	0,022	0,631	1,360	83,902	19,656	21,919	21,216	20,898	20,168	20,833	29,988	20,109	57,653
327,500	0,439	0,332	1,333	0,145	0,014	0,594	1,360	83,886	19,668	23,695	21,321	20,954	20,170	20,835	29,995	20,109	57,455
327,833	0,623	0,316	1,341	0,146	0,016	0,606	1,360	83,898	19,648	24,268	21,395	20,968	20,162	20,837	29,996	20,109	57,257
328,167	0,464	0,307	1,353	0,146	0,011	0,612	1,361	83,896	19,621	24,391	21,430	20,974	20,170	20,839	29,992	20,108	57,061
328,500	0,417	0,310	1,340	0,146	0,012	0,610	1,361	83,879	19,618	24,492	21,460	20,964	20,172	20,830	29,988	20,109	56,869
328,834	0,410	0,308	1,341	0,146	0,012	0,613	1,361	83,871	19,655	24,581	21,490	20,984	20,172	20,837	29,989	20,108	56,669
329,167	0,398	0,309	1,344	0,146	0,015	0,611	1,361	83,848	19,671	24,666	21,517	20,992	20,165	20,834	29,974	20,106	56,478
329,500	0,353	0,325	1,336	0,145	0,016	0,596	1,360	83,839	19,645	24,722	21,533	20,996	20,166	20,837	29,981	20,106	56,282
329,834	0,315	0,345	1,346	0,147	0,012	0,578	1,360	83,865	19,678	24,701	21,538	20,992	20,165	20,841	29,976	20,103	56,094
330,167	0,282	0,369	1,348	0,146	0,013	0,556	1,361	83,919	19,716	24,788	21,572	21,003	20,163	20,830	29,978	20,102	55,919
330,500	0,263	0,388	1,346	0,145	0,017	0,539	1,361	83,949	19,726	24,767	21,586	21,014	20,174	20,833	29,983	20,104	55,752
330,833	0,255	0,400	1,346	0,145	0,015	0,531	1,361	83,971	19,727	24,784	21,596	21,008	20,159	20,839	29,987	20,100	55,597
331,167	0,243	0,417	1,343	0,148	0,013	0,515	1,361	83,994	19,691	24,800	21,602	21,008	20,163	20,828	29,983	20,099	55,453
331,500	0,231	0,439	1,336	0,145	0,018	0,496	1,361	84,041	19,703	24,877	21,609	21,010	20,174	20,837	29,968	20,099	55,349
331,833	0,224	0,462	1,332	0,145	0,010	0,477	1,360	84,104	19,695	24,901	21,629	21,008	20,164	20,835	29,970	20,098	55,272

Pellematic 56_cat III_run 1_191210.Dat

Category: III

	1103	1108	1109	130	230	101	102	1	2	3	6	7	8	11	
Mättid	T3 inlet load side	T2 inlet boiler	T1 outlet boiler	Flow load side	Flow boiler side	Heat output load side	Heat output boiler	CO chimney	CO2 chimney	O2 chimney	Pstat	Pdyn	Tunnel velocity	Våg	Tidpunkt
Minuter	°C	°C	°C	m³/h	m³/h	W	W	ppm	%	%	Pa	Pa	m/s	kg	Klockan
319,833	42,476	49,975	69,648	1,219	1,059	24828,878	23929,446	6,222	12,067	8,694	6,354	53,942	9,482	959,857	2019-12-10 17:44
320,167	42,455	49,950	69,695	1,220	1,059	24872,706	24017,986	7,385	12,792	8,064	6,644	53,528	9,445	959,762	2019-12-10 17:44
320,500	42,477	49,924	69,672	1,218	1,056	24782,726	23952,396	37,977	12,779	7,740	6,635	53,255	9,421	959,763	2019-12-10 17:45
320,833	42,527	49,901	69,654	1,219	1,059	24710,506	24019,352	36,518	11,807	8,719	6,593	53,753	9,465	959,762	2019-12-10 17:45
321,167	42,569	49,897	69,553	1,220	1,060	24648,709	23920,498	36,944	11,114	9,547	6,552	54,286	9,512	959,762	2019-12-10 17:45
321,500	42,611	49,913	69,416	1,219	1,059	24566,046	23717,054	30,082	10,079	10,517	6,508	54,039	9,490	959,762	2019-12-10 17:46
321,834	42,637	49,931	69,339	1,219	1,061	24503,365	23638,571	24,410	9,140	11,505	6,566	54,262	9,510	959,762	2019-12-10 17:46
322,167	42,654	49,939	69,143	1,220	1,056	24421,398	23296,753	24,523	8,386	12,295	6,523	53,892	9,477	959,765	2019-12-10 17:46
322,500	42,655	49,934	68,989	1,218	1,057	24292,286	23123,076	26,622	7,598	13,122	6,543	53,126	9,410	959,762	2019-12-10 17:47
322,834	42,658	49,908	68,720	1,218	1,058	24162,374	22856,957	31,781	6,936	13,848	6,460	53,476	9,441	959,856	2019-12-10 17:47
323,167	42,651	49,872	68,467	1,218	1,059	24010,631	22611,879	45,761	6,283	14,511	6,534	53,792	9,469	959,762	2019-12-10 17:47
323,500	42,643	49,830	68,224	1,219	1,059	23854,889	22364,948	67,891	5,778	15,091	6,525	53,630	9,454	959,856	2019-12-10 17:48
323,834	42,635	49,772	67,921	1,219	1,059	23655,163	22078,656	101,628	5,382	15,489	6,452	53,502	9,443	959,856	2019-12-10 17:48
324,167	42,633	49,711	67,645	1,218	1,059	23400,633	21801,763	145,235	5,008	15,911	6,489	53,233	9,419	959,856	2019-12-10 17:48
324,500	42,631	49,649	67,373	1,219	1,059	23170,785	21547,472	203,507	4,703	16,236	6,440	53,968	9,484	959,857	2019-12-10 17:49
324,833	42,618	49,576	67,068	1,220	1,058	22961,202	21260,863	262,881	4,455	16,513	6,411	53,399	9,434	959,856	2019-12-10 17:49
325,167	42,609	49,502	66,728	1,218	1,058	22671,274	20933,590	332,329	4,198	16,780	6,345	53,233	9,419	959,668	2019-12-10 17:49
325,500	42,609	49,408	66,505	1,217	1,058	22406,166	20777,809	381,419	4,008	16,985	6,390	53,460	9,439	959,856	2019-12-10 17:50
325,833	42,611	49,345	66,204	1,218	1,059	22138,091	20503,654	386,782	3,829	17,180	6,358	54,015	9,488	959,856	2019-12-10 17:50
326,167	42,611	49,273	65,881	1,218	1,058	21885,173	20179,888	452,367	3,657	17,366	6,336	54,152	9,500	959,982	2019-12-10 17:50
326,500	42,611	49,204	65,567	1,220	1,059	21647,298	19900,048	489,516	3,477	17,545	6,442	54,083	9,494	959,982	2019-12-10 17:51
326,833	42,613	49,124	65,254	1,218	1,058	21334,121	19591,788	416,605	2,789	18,071	6,282	54,204	9,505	959,982	2019-12-10 17:51
327,167	42,607	49,045	65,057	1,218	1,059	21087,945	19477,385	302,620	2,110	18,927	6,101	53,530	9,445	959,982	2019-12-10 17:51
327,500	42,596	48,974	64,673	1,218	1,059	20838,778	19092,891	912,469	4,596	17,814	5,789	53,175	9,414	960,074	2019-12-10 17:52
327,833	42,587	48,909	64,454	1,220	1,058	20595,285	18888,360	937,303	2,688	18,171	5,826	53,610	9,452	960,074	2019-12-10 17:52
328,167	42,609	48,834	64,098	1,219	1,059	20275,123	18572,031	613,592	2,707	18,357	5,847	54,119	9,497	960,074	2019-12-10 17:52
328,500	42,651	48,768	63,799	1,219	1,059	19951,252	18274,568	528,636	2,748	18,295	5,853	53,279	9,423	960,075	2019-12-10 17:53
328,834	42,665	48,699	63,517	1,219	1,059	19652,633	18017,678	528,821	2,666	18,376	5,821	53,617	9,453	960,074	2019-12-10 17:53
329,167	42,672	48,644	63,216	1,219	1,057	19364,451	17682,430	475,749	2,805	18,332	5,845	53,645	9,456	960,075	2019-12-10 17:53
329,500	42,673	48,575	62,963	1,219	1,060	19096,914	17508,453	363,177	3,205	17,880	5,798	53,544	9,447	960,074	2019-12-10 17:54
329,834	42,662	48,505	62,702	1,220	1,059	18853,049	17268,403	268,218	3,762	17,335	5,861	53,803	9,469	960,074	2019-12-10 17:54
330,167	42,627	48,449	62,475	1,219	1,059	18655,079	17068,550	188,807	4,402	16,666	5,841	53,869	9,475	960,074	2019-12-10 17:54
330,500	42,611	48,376	62,345	1,220	1,059	18453,988	16996,009	154,079	4,799	16,178	5,790	53,929	9,481	960,075	2019-12-10 17:55
330,833	42,684	48,299	62,141	1,219	1,058	18114,469	16814,901	136,485	5,033	15,915	5,812	53,898	9,478	960,075	2019-12-10 17:55
331,167	42,793	48,233	61,965	1,219	1,058	17762,644	16682,000	97,179	5,571	15,463	5,908	53,572	9,449	960,075	2019-12-10 17:55
331,500	42,861	48,211	61,823	1,220	1,059	17531,105	16551,395	73,776	6,158	14,890	5,789	53,200	9,416	960,074	2019-12-10 17:56
331,833	42,906	48,220	61,711	1,220	1,059	17361,508	16411,219	60,875	6,668	14,317	5,797	53,132	9,410	959,982	2019-12-10 17:56

Pellematic 56_cat III_run 1_191210.Dat

Category: III

	301	302	304	305	306	308	317	1311	1312	1313	1314	1315	1316	1317	1318	1101	1102
Mättid	CO chimney	CO2 chimney	Pdyn	Pstat	Static pressure chimney	O2 chimney	Våg	Flue gas temp	Ambient	Flue gas at pitot	filter temp 1	filter temp 2	gas meter temp 1	gas meter temp 2	gasmeter temp ambient		T4 outlet load side
Minuter	VDC	VDC	VDC	VDC	VDC	VDC	VDC	°C	°C	°C	°C	°C	°C	°C	°C	°C	°C
332,167	0,222	0,477	1,327	0,147	0,016	0,464	1,360	84,178	19,702	24,950	21,632	21,019	20,170	20,834	29,979	20,100	55,191
332,500	0,218	0,494	1,340	0,148	0,011	0,449	1,360	84,232	19,718	24,886	21,641	21,025	20,168	20,836	29,974	20,101	55,121
332,833	0,214	0,510	1,336	0,145	0,015	0,435	1,360	84,294	19,742	24,952	21,647	21,016	20,170	20,832	29,957	20,099	55,054
333,167	0,211	0,528	1,338	0,143	0,019	0,419	1,360	84,367	19,714	25,034	21,648	21,019	20,169	20,824	29,953	20,098	54,964
333,500	0,209	0,544	1,347	0,145	0,014	0,406	1,359	84,428	19,714	25,072	21,659	21,016	20,162	20,835	29,959	20,096	54,874
333,833	0,208	0,558	1,343	0,144	0,014	0,393	1,358	84,503	19,716	25,049	21,661	21,035	20,174	20,829	29,933	20,098	54,793
334,167	0,207	0,583	1,331	0,143	0,013	0,371	1,358	84,587	19,678	25,048	21,663	21,029	20,171	20,834	29,919	20,096	54,704
334,500	0,207	0,593	1,335	0,144	0,016	0,364	1,356	84,659	19,667	24,953	21,665	21,031	20,167	20,833	29,917	20,095	54,633
334,834	0,206	0,588	1,339	0,143	0,014	0,367	1,358	84,714	19,690	25,056	21,680	21,033	20,165	20,828	29,911	20,095	54,584
335,167	0,206	0,590	1,334	0,143	0,013	0,366	1,357	84,786	19,626	25,057	21,672	21,041	20,169	20,835	29,900	20,093	54,549
335,500	0,204	0,601	1,332	0,143	0,015	0,355	1,355	84,852	19,627	25,003	21,669	21,033	20,155	20,832	29,883	20,092	54,523
335,834	0,204	0,603	1,332	0,145	0,021	0,353	1,355	84,897	19,651	24,963	21,663	21,043	20,166	20,835	29,882	20,092	54,521
336,167	0,203	0,616	1,337	0,143	0,017	0,342	1,355	84,966	19,661	24,972	21,664	21,033	20,153	20,828	29,876	20,093	54,533
336,500	0,202	0,638	1,333	0,145	0,016	0,323	1,354	85,053	19,637	25,074	21,673	21,030	20,156	20,824	29,875	20,094	54,578
336,834	0,202	0,637	1,333	0,147	0,016	0,325	1,353	85,122	19,656	25,095	21,673	21,026	20,162	20,831	29,871	20,092	54,636
337,167	0,202	0,641	1,334	0,143	0,013	0,320	1,352	85,193	19,640	25,100	21,674	21,046	20,165	20,830	29,866	20,093	54,685
337,500	0,201	0,660	1,321	0,146	0,020	0,304	1,353	85,287	19,616	25,028	21,674	21,039	20,154	20,831	29,861	20,094	54,735
337,833	0,201	0,664	1,328	0,143	0,011	0,301	1,352	85,378	19,644	24,981	21,680	21,030	20,154	20,826	29,859	20,089	54,797
338,167	0,201	0,658	1,327	0,144	0,010	0,307	1,352	85,449	19,660	25,072	21,674	21,039	20,152	20,824	29,854	20,089	54,859
338,500	0,201	0,662	1,328	0,143	0,016	0,304	1,352	85,557	19,640	25,113	21,674	21,047	20,154	20,816	29,828	20,090	54,927
338,833	0,201	0,682	1,331	0,143	0,016	0,285	1,351	85,629	19,633	25,087	21,689	21,043	20,150	20,828	29,814	20,090	54,991
339,167	0,201	0,695	1,331	0,140	0,018	0,275	1,350	85,732	19,624	25,135	21,688	21,044	20,158	20,816	29,784	20,089	55,052
339,500	0,201	0,698	1,342	0,139	0,018	0,272	1,348	85,817	19,588	25,169	21,695	21,037	20,145	20,811	29,782	20,089	55,096
339,833	0,200	0,697	1,336	0,140	0,016	0,273	1,348	85,921	19,621	25,159	21,708	21,047	20,155	20,810	29,795	20,089	55,155
340,167	0,201	0,693	1,327	0,147	0,012	0,277	1,347	86,028	19,621	25,139	21,698	21,051	20,150	20,813	29,770	20,088	55,213
340,500	0,201	0,704	1,321	0,140	0,011	0,267	1,347	86,127	19,538	25,122	21,693	21,055	20,143	20,809	29,763	20,088	55,277
340,833	0,201	0,707	1,336	0,144	0,008	0,266	1,346	86,263	19,563	25,051	21,702	21,049	20,137	20,802	29,756	20,086	55,360
341,167	0,201	0,725	1,330	0,142	0,018	0,249	1,344	86,356	19,576	25,078	21,702	21,057	20,144	20,790	29,756	20,084	55,457
341,500	0,200	0,721	1,332	0,139	0,019	0,252	1,345	86,441	19,595	25,033	21,692	21,055	20,140	20,799	29,740	20,085	55,564
341,834	0,201	0,709	1,316	0,143	0,014	0,263	1,344	86,512	19,588	25,024	21,691	21,062	20,135	20,792	29,718	20,083	55,686
342,167	0,201	0,708	1,325	0,142	0,019	0,264	1,344	86,612	19,594	25,039	21,683	21,047	20,144	20,788	29,711	20,082	55,835
342,500	0,201	0,708	1,321	0,142	0,019	0,265	1,343	86,707	19,593	25,057	21,695	21,058	20,137	20,789	29,677	20,082	55,979
342,834	0,200	0,711	1,312	0,144	0,020	0,263	1,342	86,826	19,603	25,067	21,696	21,062	20,139	20,782	29,662	20,084	56,115
343,167	0,201	0,701	1,323	0,143	0,013	0,271	1,341	86,926	19,605	25,092	21,709	21,057	20,133	20,772	29,648	20,080	56,261
343,500	0,201	0,713	1,330	0,144	0,018	0,260	1,340	87,016	19,596	25,114	21,715	21,064	20,142	20,783	29,633	20,080	56,410
343,834	0,201	0,727	1,331	0,143	0,013	0,248	1,339	87,120	19,594	25,148	21,717	21,054	20,131	20,780	29,627	20,080	56,556
344,167	0,201	0,731	1,336	0,144	0,015	0,244	1,339	87,229	19,583	25,151	21,724	21,058	20,128	20,765	29,609	20,078	56,687

Pellematic 56_cat III_run 1_191210.Dat

Category: III

	1103	1108	1109	130	230	101	102	1	2	3	6	7	8	11	
Mättid	T3 inlet load side	T2 inlet boiler	T1 outlet boiler	Flow load side	Flow boiler side	Heat output load side	Heat output boiler	CO chimney	CO2 chimney	O2 chimney	Pstat	Pdyn	Tunnel velocity	Våg	Tidpunkt
Minuter	°C	°C	°C	m³/h	m³/h	W	W	ppm	%	%	Pa	Pa	m/s	kg	Klockan
332,167	42,943	48,222	61,548	1,221	1,057	17214,703	16180,995	54,996	7,019	13,933	5,879	52,940	9,393	959,982	2019-12-10 17:56
332,500	42,906	48,226	61,507	1,220	1,059	17149,661	16152,044	45,510	7,473	13,473	5,933	53,575	9,449	959,982	2019-12-10 17:57
332,833	42,800	48,223	61,382	1,220	1,057	17197,315	15978,511	36,839	7,868	13,063	5,793	53,314	9,426	959,982	2019-12-10 17:57
333,167	42,692	48,175	61,279	1,221	1,056	17240,058	15897,209	28,552	8,272	12,585	5,725	53,755	9,465	959,982	2019-12-10 17:57
333,500	42,596	48,102	61,190	1,220	1,058	17239,695	15899,015	24,944	8,677	12,173	5,788	53,973	9,484	959,856	2019-12-10 17:58
333,833	42,502	48,008	61,183	1,219	1,058	17248,310	16009,969	20,463	9,117	11,779	5,758	53,711	9,461	959,856	2019-12-10 17:58
334,167	42,474	47,932	61,168	1,220	1,056	17167,780	16062,700	19,658	9,661	11,138	5,740	53,167	9,413	959,856	2019-12-10 17:58
334,500	42,454	47,853	61,138	1,221	1,058	17109,132	16149,861	19,063	9,841	10,911	5,752	53,522	9,445	959,763	2019-12-10 17:59
334,834	42,408	47,798	61,112	1,220	1,056	17098,949	16158,778	18,534	9,709	11,010	5,717	53,660	9,457	959,857	2019-12-10 17:59
335,167	42,400	47,755	61,166	1,221	1,057	17079,363	16290,384	16,608	9,765	10,977	5,707	53,439	9,437	959,762	2019-12-10 17:59
335,500	42,443	47,721	61,136	1,220	1,058	16963,272	16310,219	13,696	10,075	10,661	5,711	53,323	9,427	959,669	2019-12-10 18:00
335,834	42,542	47,706	61,156	1,222	1,060	16843,747	16378,886	12,527	10,103	10,597	5,805	53,333	9,428	959,669	2019-12-10 18:00
336,167	42,659	47,724	61,220	1,221	1,057	16686,659	16395,640	10,085	10,590	10,245	5,706	53,607	9,452	959,669	2019-12-10 18:00
336,500	42,736	47,773	61,247	1,220	1,057	16629,242	16367,510	8,825	10,984	9,699	5,805	53,084	9,406	959,669	2019-12-10 18:01
336,834	42,770	47,846	61,343	1,220	1,057	16661,909	16395,361	7,820	10,932	9,741	5,895	53,422	9,436	959,575	2019-12-10 18:01
337,167	42,829	47,911	61,422	1,221	1,057	16660,129	16402,166	7,569	11,152	9,601	5,726	53,389	9,433	959,483	2019-12-10 18:01
337,500	42,908	47,954	61,460	1,220	1,058	16598,597	16408,980	6,558	11,555	9,115	5,848	52,584	9,362	959,575	2019-12-10 18:02
337,833	42,961	48,009	61,538	1,219	1,056	16609,408	16415,385	6,239	11,586	9,032	5,711	53,128	9,410	959,483	2019-12-10 18:02
338,167	42,983	48,071	61,657	1,220	1,056	16673,882	16487,465	5,966	11,458	9,195	5,746	52,952	9,394	959,483	2019-12-10 18:02
338,500	42,968	48,126	61,700	1,219	1,057	16779,685	16483,010	5,886	11,694	9,113	5,723	53,485	9,442	959,482	2019-12-10 18:03
338,833	42,930	48,164	61,832	1,219	1,059	16912,322	16618,780	5,224	12,114	8,559	5,713	53,201	9,416	959,353	2019-12-10 18:03
339,167	42,878	48,191	61,922	1,219	1,057	17084,117	16676,641	5,130	12,364	8,236	5,619	53,225	9,419	959,353	2019-12-10 18:03
339,500	42,825	48,201	62,044	1,220	1,059	17234,488	16841,027	5,038	12,510	8,163	5,565	53,730	9,463	959,258	2019-12-10 18:04
339,833	42,791	48,196	62,187	1,220	1,058	17362,815	17003,455	4,375	12,389	8,203	5,613	53,676	9,458	959,258	2019-12-10 18:04
340,167	42,811	48,191	62,284	1,220	1,058	17409,603	17122,645	4,697	12,255	8,295	5,876	53,108	9,408	959,164	2019-12-10 18:04
340,500	42,883	48,195	62,431	1,220	1,058	17395,695	17305,776	6,215	12,734	7,996	5,612	52,563	9,360	959,165	2019-12-10 18:05
340,833	42,948	48,223	62,596	1,220	1,057	17422,529	17454,275	5,038	12,682	7,965	5,751	53,623	9,454	959,070	2019-12-10 18:05
341,167	43,010	48,284	62,749	1,220	1,056	17467,564	17552,513	5,293	13,246	7,464	5,673	53,244	9,420	958,977	2019-12-10 18:05
341,500	43,123	48,347	62,919	1,221	1,057	17472,910	17690,661	4,039	12,908	7,572	5,580	53,535	9,446	959,071	2019-12-10 18:06
341,834	43,241	48,428	63,070	1,220	1,058	17469,431	17798,158	5,300	12,769	7,878	5,713	52,593	9,362	958,978	2019-12-10 18:06
342,167	43,326	48,537	63,236	1,220	1,057	17553,885	17847,327	4,957	12,640	7,925	5,675	52,455	9,350	958,978	2019-12-10 18:06
342,500	43,440	48,650	63,389	1,221	1,057	17611,047	17899,489	4,713	12,690	7,954	5,666	52,887	9,389	958,857	2019-12-10 18:07
342,834	43,568	48,759	63,586	1,222	1,060	17637,644	18051,548	4,285	12,736	7,880	5,776	52,223	9,329	958,852	2019-12-10 18:07
343,167	43,668	48,879	63,774	1,221	1,058	17697,113	18096,810	5,381	12,513	8,123	5,727	52,848	9,385	958,758	2019-12-10 18:07
343,500	43,710	49,002	63,892	1,220	1,060	17827,835	18121,561	6,136	12,892	7,811	5,741	53,505	9,443	958,757	2019-12-10 18:08
343,834	43,714	49,113	64,054	1,222	1,061	18050,582	18206,052	6,057	13,169	7,436	5,735	52,977	9,397	958,758	2019-12-10 18:08
344,167	43,679	49,203	64,268	1,222	1,059	18292,000	18318,832	6,298	13,419	7,320	5,765	53,737	9,464	958,663	2019-12-10 18:08

Pellematic 56_cat III_run 1_191210.Dat

Category: III

	301	302	304	305	306	308	317	1311	1312	1313	1314	1315	1316	1317	1318	1101	1102
Mättid	CO chimney	CO2 chimney	Pdyn	Pstat	Static pressure chimney	O2 chimney	Våg	Flue gas temp	Ambient	Flue gas at pitot	filter temp 1	filter temp 2	gas meter temp 1	gas meter temp 2	gasmeter temp ambient		T4 outlet load side
Minuter	VDC	VDC	VDC	VDC	VDC	VDC	VDC	°C	°C	°C	°C	°C	°C	°C	°C	°C	°C
344,500	0,201	0,743	1,337	0,145	0,011	0,233	1,338	87,355	19,585	25,168	21,721	21,058	20,126	20,774	29,601	20,076	56,799
344,833	0,201	0,754	1,330	0,145	0,009	0,224	1,338	87,498	19,581	25,177	21,720	21,063	20,119	20,766	29,585	20,077	56,911
345,167	0,201	0,753	1,333	0,147	0,014	0,224	1,337	87,616	19,586	25,209	21,711	21,053	20,122	20,769	29,584	20,076	57,015
345,500	0,201	0,749	1,343	0,143	0,015	0,228	1,336	87,700	19,581	25,185	21,712	21,061	20,117	20,759	29,574	20,073	57,108
345,833	0,201	0,752	1,335	0,146	0,015	0,226	1,334	87,803	19,588	25,167	21,711	21,055	20,127	20,755	29,560	20,074	57,206
346,167	0,201	0,743	1,333	0,143	0,018	0,234	1,335	87,913	19,610	25,230	21,715	21,046	20,108	20,744	29,535	20,072	57,287
346,500	0,201	0,741	1,333	0,144	0,010	0,234	1,334	88,029	19,583	25,204	21,713	21,046	20,108	20,750	29,543	20,074	57,380
346,833	0,201	0,734	1,327	0,147	0,018	0,241	1,333	88,151	19,596	25,127	21,710	21,043	20,104	20,749	29,526	20,072	57,473
347,167	0,201	0,735	1,327	0,145	0,019	0,240	1,332	88,260	19,597	25,114	21,707	21,037	20,110	20,729	29,510	20,070	57,578
347,500	0,201	0,727	1,334	0,144	0,012	0,248	1,331	88,365	19,601	25,137	21,708	21,045	20,100	20,731	29,503	20,070	57,697
347,833	0,201	0,716	1,328	0,145	0,015	0,257	1,331	88,467	19,621	25,182	21,717	21,049	20,106	20,730	29,491	20,072	57,820
348,167	0,201	0,722	1,327	0,151	0,014	0,253	1,331	88,573	19,579	25,153	21,716	21,054	20,108	20,723	29,482	20,071	57,927
348,500	0,201	0,713	1,329	0,147	0,020	0,260	1,329	88,653	19,580	25,201	21,705	21,045	20,107	20,718	29,456	20,068	58,028
348,834	0,200	0,713	1,330	0,146	0,015	0,260	1,328	88,760	19,604	25,112	21,701	21,041	20,109	20,721	29,455	20,072	58,118
349,167	0,200	0,711	1,332	0,148	0,013	0,263	1,328	88,849	19,603	25,163	21,709	21,044	20,089	20,712	29,434	20,068	58,196
349,500	0,200	0,724	1,326	0,147	0,013	0,250	1,327	88,965	19,606	25,218	21,703	21,054	20,106	20,702	29,424	20,069	58,287
349,834	0,200	0,737	1,323	0,146	0,017	0,239	1,326	89,078	19,590	25,216	21,707	21,041	20,100	20,705	29,410	20,068	58,375
350,167	0,200	0,731	1,335	0,148	0,012	0,244	1,327	89,177	19,563	25,190	21,718	21,054	20,089	20,702	29,419	20,068	58,474
350,500	0,200	0,727	1,330	0,148	0,014	0,247	1,324	89,321	19,580	25,137	21,718	21,046	20,091	20,700	29,394	20,069	58,564
350,834	0,200	0,717	1,324	0,150	0,013	0,256	1,324	89,432	19,569	25,134	21,723	21,044	20,092	20,691	29,388	20,072	58,658
351,167	0,201	0,725	1,348	0,148	0,010	0,249	1,324	89,523	19,568	25,168	21,720	21,047	20,083	20,693	29,393	20,070	58,754
351,500	0,200	0,734	1,323	0,147	0,014	0,241	1,323	89,650	19,537	25,205	21,711	21,050	20,081	20,686	29,390	20,068	58,855
351,833	0,200	0,735	1,327	0,151	0,018	0,239	1,322	89,784	19,550	25,179	21,716	21,043	20,088	20,688	29,399	20,076	58,943
352,167	0,200	0,742	1,318	0,150	0,017	0,234	1,323	89,854	19,561	25,167	21,730	21,064	20,097	20,691	29,405	20,079	59,029
352,500	0,201	0,747	1,327	0,149	0,010	0,230	1,321	89,957	19,566	25,144	21,735	21,052	20,083	20,681	29,370	20,072	59,120
352,833	0,201	0,732	1,328	0,150	0,014	0,244	1,320	90,042	19,564	25,134	21,721	21,058	20,073	20,678	29,369	20,070	59,197
353,167	0,201	0,723	1,331	0,149	0,009	0,252	1,321	90,141	19,567	25,181	21,732	21,059	20,075	20,681	29,366	20,072	59,282
353,500	0,200	0,721	1,327	0,151	0,007	0,254	1,320	90,216	19,550	25,227	21,730	21,064	20,076	20,682	29,350	20,072	59,341
353,833	0,201	0,717	1,341	0,152	0,015	0,257	1,319	90,332	19,562	25,239	21,725	21,057	20,065	20,662	29,340	20,067	59,398
354,167	0,201	0,733	1,328	0,147	0,014	0,242	1,319	90,402	19,559	25,254	21,735	21,049	20,080	20,673	29,341	20,069	59,466
354,500	0,201	0,739	1,323	0,152	0,013	0,237	1,317	90,483	19,535	25,199	21,718	21,051	20,060	20,662	29,331	20,064	59,536
354,833	0,201	0,730	1,330	0,149	0,014	0,245	1,316	90,572	19,549	25,210	21,727	21,052	20,069	20,664	29,325	20,069	59,625
355,167	0,201	0,721	1,325	0,149	0,010	0,253	1,316	90,634	19,560	25,166	21,717	21,048	20,059	20,656	29,333	20,066	59,716
355,500	0,201	0,722	1,329	0,148	0,010	0,251	1,315	90,703	19,525	25,151	21,724	21,041	20,066	20,648	29,320	20,064	59,809
355,834	0,201	0,727	1,332	0,151	0,014	0,246	1,315	90,796	19,536	25,130	21,713	21,057	20,064	20,646	29,306	20,062	59,893
356,167	0,201	0,726	1,328	0,151	0,009	0,247	1,313	90,962	19,544	25,189	21,716	21,053	20,062	20,651	29,311	20,065	59,979
356,500	0,200	0,731	1,325	0,151	0,015	0,243	1,313	91,005	19,533	25,257	21,722	21,048	20,060	20,649	29,300	20,060	60,061

Pellematic 56_cat III_run 1_191210.Dat

Category: III

	1103	1108	1109	130	230	101	102	1	2	3	6	7	8	11	
Mättid	T3 inlet load side	T2 inlet boiler	T1 outlet boiler	Flow load side	Flow boiler side	Heat output load side	Heat output boiler	CO chimney	CO2 chimney	O2 chimney	Pstat	Pdyn	Tunnel velocity	Våg	Tidpunkt
Minuter	°C	°C	°C	m ³ /h	m ³ /h	W	W	ppm	%	%	Pa	Pa	m/s	kg	Klockan
344,500	43,629	49,259	64,416	1,221	1,059	18503,226	18425,505	5,631	13,756	7,001	5,790	53,109	9,408	958,571	2019-12-10 18:09
344,833	43,576	49,292	64,610	1,220	1,057	18722,143	18590,134	5,720	13,831	6,707	5,808	53,263	9,422	958,571	2019-12-10 18:09
345,167	43,478	49,312	64,790	1,220	1,058	19004,059	18801,631	4,718	13,793	6,714	5,865	53,484	9,441	958,570	2019-12-10 18:09
345,500	43,340	49,321	65,021	1,222	1,060	19351,042	19104,717	5,214	13,803	6,835	5,727	53,696	9,460	958,478	2019-12-10 18:10
345,833	43,214	49,313	65,202	1,221	1,060	19652,201	19342,634	5,292	13,837	6,784	5,826	53,532	9,446	958,353	2019-12-10 18:10
346,167	43,124	49,280	65,396	1,220	1,060	19887,121	19607,924	5,637	13,503	7,009	5,705	53,544	9,447	958,352	2019-12-10 18:10
346,500	43,070	49,248	65,624	1,220	1,058	20085,324	19897,888	5,633	13,517	7,035	5,768	53,002	9,399	958,353	2019-12-10 18:11
346,833	43,060	49,224	65,767	1,220	1,058	20230,814	20104,730	5,210	13,335	7,243	5,890	52,988	9,398	958,258	2019-12-10 18:11
347,167	43,056	49,227	66,036	1,219	1,057	20364,421	20405,371	5,217	13,422	7,213	5,803	53,367	9,431	958,258	2019-12-10 18:11
347,500	43,025	49,252	66,163	1,219	1,058	20574,225	20548,608	5,127	13,070	7,433	5,758	53,449	9,438	958,164	2019-12-10 18:12
347,833	42,964	49,292	66,353	1,220	1,058	20854,701	20735,948	4,625	12,949	7,716	5,806	53,006	9,399	958,165	2019-12-10 18:12
348,167	42,876	49,317	66,525	1,220	1,058	21131,469	20901,251	5,041	13,035	7,590	6,036	52,985	9,397	958,164	2019-12-10 18:12
348,500	42,789	49,325	66,677	1,219	1,058	21376,112	21074,666	4,542	12,845	7,804	5,871	53,191	9,416	958,070	2019-12-10 18:13
348,834	42,737	49,323	66,901	1,218	1,057	21560,904	21327,967	4,109	12,892	7,795	5,832	53,445	9,438	958,070	2019-12-10 18:13
349,167	42,718	49,315	67,028	1,219	1,056	21716,756	21489,353	4,204	12,723	7,876	5,908	53,005	9,399	958,071	2019-12-10 18:13
349,500	42,714	49,313	67,165	1,220	1,056	21870,905	21640,294	4,371	13,257	7,499	5,866	52,732	9,375	957,852	2019-12-10 18:14
349,834	42,722	49,322	67,324	1,220	1,060	21983,559	21912,589	4,033	13,464	7,161	5,852	52,942	9,393	957,853	2019-12-10 18:14
350,167	42,750	49,361	67,477	1,219	1,057	22059,574	21994,046	4,453	13,205	7,333	5,927	53,368	9,431	957,852	2019-12-10 18:14
350,500	42,762	49,398	67,563	1,220	1,056	22181,843	22018,739	4,114	13,064	7,421	5,939	53,139	9,411	957,758	2019-12-10 18:15
350,834	42,758	49,436	67,662	1,220	1,058	22321,112	22147,805	4,108	12,971	7,679	5,983	53,097	9,407	957,758	2019-12-10 18:15
351,167	42,758	49,481	67,812	1,219	1,059	22450,759	22284,218	4,786	13,199	7,469	5,904	54,032	9,490	957,757	2019-12-10 18:15
351,500	42,768	49,523	67,963	1,219	1,058	22579,407	22413,060	4,286	13,404	7,225	5,890	52,574	9,361	957,664	2019-12-10 18:16
351,833	42,778	49,566	68,057	1,220	1,058	22693,838	22469,420	4,291	13,329	7,173	6,027	53,040	9,402	957,571	2019-12-10 18:16
352,167	42,781	49,607	68,251	1,220	1,058	22807,937	22657,469	4,371	13,700	7,013	6,009	53,097	9,407	957,665	2019-12-10 18:16
352,500	42,766	49,644	68,358	1,219	1,059	22951,735	22762,980	5,168	13,634	6,893	5,946	52,631	9,366	957,571	2019-12-10 18:17
352,833	42,716	49,673	68,473	1,219	1,057	23121,211	22828,087	5,551	13,095	7,319	6,020	53,011	9,400	957,479	2019-12-10 18:17
353,167	42,656	49,703	68,571	1,220	1,058	23343,810	22916,511	4,389	13,033	7,556	5,961	53,317	9,427	957,571	2019-12-10 18:17
353,500	42,620	49,712	68,669	1,219	1,058	23462,116	23033,035	4,631	13,039	7,610	6,031	53,003	9,399	957,479	2019-12-10 18:18
353,833	42,643	49,700	68,724	1,219	1,057	23507,490	23087,892	5,042	12,985	7,697	6,061	53,337	9,428	957,479	2019-12-10 18:18
354,167	42,705	49,709	68,867	1,220	1,061	23540,307	23340,636	5,877	13,404	7,265	5,869	53,225	9,419	957,478	2019-12-10 18:18
354,500	42,781	49,742	69,021	1,220	1,058	23536,267	23429,731	6,216	13,426	7,102	6,079	52,485	9,353	957,261	2019-12-10 18:19
354,833	42,861	49,794	69,071	1,220	1,058	23549,317	23431,098	5,462	13,208	7,347	5,971	53,126	9,410	957,261	2019-12-10 18:19
355,167	42,930	49,866	69,193	1,220	1,059	23566,996	23498,210	5,470	13,009	7,592	5,979	53,166	9,413	957,261	2019-12-10 18:19
355,500	42,989	49,940	69,286	1,220	1,061	23610,190	23560,738	5,467	13,016	7,542	5,929	53,485	9,441	957,261	2019-12-10 18:20
355,834	43,047	50,022	69,442	1,219	1,059	23643,309	23607,408	4,707	13,145	7,392	6,023	53,336	9,428	957,167	2019-12-10 18:20
356,167	43,092	50,084	69,469	1,220	1,058	23706,677	23548,676	4,373	13,266	7,423	6,045	53,369	9,431	957,072	2019-12-10 18:20
356,500	43,096	50,149	69,504	1,221	1,059	23831,569	23528,900	4,385	13,415	7,287	6,027	53,312	9,426	957,073	2019-12-10 18:21

Pellematic 56_cat III_run 1_191210.Dat

Category: III

	301	302	304	305	306	308	317	1311	1312	1313	1314	1315	1316	1317	1318	1101	1102
Mättid	CO chimney	CO2 chimney	Pdyn	Pstat	Static pressure chimney	O2 chimney	Våg	Flue gas temp	Ambient	Flue gas at pitot	filter temp 1	filter temp 2	gas meter temp 1	gas meter temp 2	gasmeter temp ambient		T4 outlet load side
Minuter	VDC	VDC	VDC	VDC	VDC	VDC	VDC	°C	°C	°C	°C	°C	°C	°C	°C	°C	°C
356,834	0,201	0,749	1,343	0,152	0,015	0,228	1,313	91,114	19,521	25,283	21,729	21,057	20,045	20,643	29,298	20,058	60,134
357,167	0,208	0,756	1,317	0,153	0,015	0,221	1,312	91,197	19,542	25,279	21,753	21,065	20,049	20,642	29,298	20,067	60,209
357,500	0,213	0,759	1,322	0,152	0,016	0,219	1,312	91,327	19,542	25,320	21,741	21,066	20,051	20,627	29,266	20,062	60,270
357,834	0,209	0,763	1,321	0,151	0,014	0,216	1,310	91,371	19,519	25,272	21,738	21,058	20,051	20,623	29,253	20,058	60,328
358,167	0,207	0,753	1,325	0,154	0,017	0,225	1,310	91,482	19,510	25,176	21,749	21,061	20,047	20,630	29,254	20,060	60,395
358,500	0,206	0,747	1,335	0,149	0,021	0,230	1,310	91,565	19,555	25,242	21,739	21,059	20,053	20,621	29,226	20,058	60,450
358,833	0,203	0,744	1,335	0,150	0,014	0,232	1,309	91,620	19,565	25,218	21,732	21,060	20,038	20,617	29,226	20,056	60,491
359,167	0,202	0,738	1,330	0,153	0,015	0,239	1,308	91,647	19,541	25,227	21,734	21,061	20,043	20,621	29,227	20,057	60,530
359,500	0,202	0,732	1,323	0,152	0,016	0,244	1,307	91,708	19,539	25,236	21,736	21,059	20,039	20,619	29,229	20,058	60,558
359,833	0,202	0,724	1,336	0,151	0,014	0,250	1,307	91,742	19,540	25,219	21,734	21,061	20,036	20,620	29,223	20,058	60,594
360,167	0,202	0,720	1,331	0,152	0,022	0,254	1,306	91,818	19,519	25,287	21,713	21,059	20,046	20,614	29,209	20,056	60,622
360,500	0,201	0,716	1,328	0,154	0,012	0,257	1,306	91,897	19,526	25,301	21,721	21,055	20,024	20,606	29,182	20,051	60,659
360,833	0,201	0,712	1,325	0,156	0,018	0,261	1,305	92,001	19,529	25,276	21,729	21,049	20,016	20,602	29,173	20,052	60,702
361,167	0,201	0,709	1,329	0,152	0,015	0,264	1,304	92,018	19,549	25,285	21,727	21,051	20,023	20,597	29,158	20,046	60,746
361,500	0,201	0,712	1,332	0,152	0,016	0,261	1,304	92,089	19,545	25,274	21,745	21,061	20,026	20,588	29,163	20,050	60,791
361,833	0,201	0,706	1,335	0,157	0,018	0,266	1,304	92,154	19,540	25,283	21,738	21,064	20,022	20,586	29,146	20,048	60,824
362,167	0,201	0,700	1,334	0,155	0,020	0,272	1,303	92,255	19,508	25,313	21,742	21,062	20,017	20,588	29,144	20,047	60,876
362,500	0,200	0,689	1,325	0,152	0,020	0,281	1,302	92,242	19,517	25,237	21,735	21,059	20,020	20,584	29,148	20,046	60,908
362,834	0,201	0,687	1,336	0,152	0,022	0,283	1,302	92,297	19,553	25,321	21,749	21,076	20,023	20,579	29,152	20,049	60,949
363,167	0,200	0,687	1,343	0,157	0,017	0,282	1,301	92,312	19,545	25,259	21,743	21,068	20,017	20,585	29,135	20,046	60,990
363,500	0,200	0,683	1,333	0,155	0,018	0,285	1,300	92,360	19,527	25,308	21,347	20,864	20,025	20,563	28,956	20,044	61,026
363,834	0,201	0,675	1,336	0,156	0,015	0,292	1,300	92,421	19,516	25,300	21,002	20,687	20,024	20,562	28,801	20,046	61,043

Pellematic 56_cat III_run 1_191210.Dat

Category: III

	1103	1108	1109	130	230	101	102	1	2	3	6	7	8	11	
Mättid	T3 inlet load side	T2 inlet boiler	T1 outlet boiler	Flow load side	Flow boiler side	Heat output load side	Heat output boiler	CO chimney	CO2 chimney	O2 chimney	Pstat	Pdyn	Tunnel velocity	Våg	Tidpunkt
Minuter	°C	°C	°C	m ³ /h	m ³ /h	W	W	ppm	%	%	Pa	Pa	m/s	kg	Klockan
356,834	43,092	50,204	69,633	1,221	1,061	23940,397	23667,624	5,209	13,773	6,827	6,076	53,715	9,462	956,998	2019-12-10 18:21
357,167	43,102	50,249	69,756	1,221	1,060	24043,567	23742,299	35,434	13,892	6,629	6,113	52,256	9,332	956,980	2019-12-10 18:21
357,500	43,108	50,283	69,861	1,220	1,060	24101,080	23834,476	34,087	14,101	6,559	6,093	52,761	9,377	956,980	2019-12-10 18:22
357,834	43,088	50,310	69,889	1,219	1,060	24193,697	23824,288	24,713	14,049	6,475	6,025	52,903	9,390	956,855	2019-12-10 18:22
358,167	43,005	50,331	70,055	1,220	1,058	24413,907	23968,852	19,656	13,706	6,762	6,161	53,001	9,399	956,855	2019-12-10 18:22
358,500	42,881	50,341	70,169	1,220	1,058	24662,784	24085,128	17,310	13,729	6,904	5,967	53,278	9,423	956,854	2019-12-10 18:23
358,833	42,770	50,321	70,208	1,221	1,059	24899,370	24187,327	11,014	13,580	6,973	6,006	53,371	9,431	956,760	2019-12-10 18:23
359,167	42,681	50,284	70,303	1,219	1,059	25050,691	24333,375	7,649	13,316	7,174	6,139	52,908	9,390	956,761	2019-12-10 18:23
359,500	42,611	50,242	70,413	1,220	1,060	25196,391	24555,180	8,989	13,305	7,322	6,078	52,913	9,391	956,666	2019-12-10 18:24
359,833	42,561	50,208	70,461	1,220	1,059	25324,138	24621,880	9,157	13,040	7,514	6,032	53,582	9,450	956,666	2019-12-10 18:24
360,167	42,533	50,176	70,578	1,220	1,059	25413,982	24808,496	6,685	12,941	7,613	6,077	52,933	9,393	956,623	2019-12-10 18:24
360,500	42,518	50,154	70,640	1,219	1,061	25463,623	24949,862	6,473	12,936	7,712	6,173	52,990	9,398	956,666	2019-12-10 18:25
360,833	42,505	50,159	70,742	1,220	1,058	25555,439	25008,377	6,225	12,738	7,827	6,256	53,092	9,407	956,572	2019-12-10 18:25
361,167	42,501	50,158	70,781	1,219	1,059	25602,622	25089,630	5,798	12,687	7,921	6,089	53,075	9,405	956,480	2019-12-10 18:25
361,500	42,497	50,168	70,883	1,219	1,058	25673,026	25164,667	5,966	12,860	7,831	6,083	53,244	9,420	956,568	2019-12-10 18:26
361,833	42,494	50,173	70,881	1,218	1,061	25708,434	25227,050	5,809	12,612	7,980	6,267	53,263	9,422	956,480	2019-12-10 18:26
362,167	42,503	50,190	70,959	1,219	1,059	25781,876	25251,124	4,228	12,327	8,164	6,208	53,440	9,438	956,355	2019-12-10 18:26
362,500	42,530	50,203	70,977	1,219	1,059	25797,647	25267,798	4,208	12,308	8,417	6,088	53,059	9,404	956,355	2019-12-10 18:27
362,834	42,564	50,226	71,011	1,218	1,057	25769,718	25231,847	4,879	12,107	8,494	6,065	53,719	9,462	956,355	2019-12-10 18:27
363,167	42,603	50,249	70,969	1,217	1,059	25749,710	25203,233	3,783	12,125	8,461	6,275	53,394	9,433	956,261	2019-12-10 18:27
363,500	42,640	50,288	71,089	1,219	1,059	25800,091	25289,682	4,030	12,057	8,548	6,201	53,072	9,405	956,261	2019-12-10 18:28
363,834	42,663	50,314	71,056	1,218	1,058	25779,024	25199,604	5,048	11,815	8,762	6,244	53,698	9,460	956,260	2019-12-10 18:28

Pellematic 56_cat II_run 1_191211.Dat

Category: II

Konfiguration C:\Datainsamling\Konfiguration\EPA pellematic,KONF

Sparad: 2019-12-09 13:03

i klartext: 2019-12-09 13:03

	301	302	304	305	306	308	317	1311	1312	1313	1314	1315	1316	1317	1318	1101
Mättid	CO chimney	CO2 chimney	Pdyn	Pstat	Static pressure chimney	O2 chimney	Våg	Flue gas temp	Ambient	Flue gas at pitot	filter temp 1	filter temp 2	gas meter temp 1	gas meter temp 2	gasmeter temp ambient	
Minuter	VDC	VDC	VDC	VDC	VDC	VDC	VDC	°C	°C	°C	°C	°C	°C	°C	°C	°C
0,167	0,213	0,649	1,313	0,129	0,019	0,302	1,177	75,236	19,598	23,012	26,639	25,697	20,045	19,952	19,836	19,814
0,500	0,213	0,646	1,305	0,128	0,014	0,304	1,177	75,258	19,663	23,016	28,336	29,207	20,058	19,971	19,827	19,821
0,834	0,212	0,645	1,304	0,128	0,012	0,304	1,177	75,282	19,621	23,047	24,204	23,249	20,060	19,960	19,827	19,823
1,201	0,213	0,656	1,314	0,130	0,016	0,295	1,177	75,264	19,607	22,983	27,950	30,342	20,072	19,976	19,843	19,829
1,574	0,214	0,656	1,314	0,129	0,017	0,294	1,176	75,185	19,633	22,892	24,524	26,792	20,066	19,972	19,833	19,831
1,972	0,223	0,660	1,325	0,130	0,014	0,292	1,176	75,225	19,628	22,882	24,906	26,636	20,064	19,981	19,833	19,833
2,167	0,221	0,653	1,318	0,129	0,012	0,296	1,176	75,241	19,627	22,901	23,922	22,183	20,068	19,972	19,839	19,833
2,500	0,221	0,646	1,314	0,129	0,009	0,301	1,176	75,302	19,597	22,901	29,229	30,293	20,064	19,964	19,833	19,829
2,834	0,222	0,638	1,305	0,130	0,008	0,307	1,176	75,307	19,584	22,860	26,045	26,815	20,071	19,967	19,842	19,832
3,167	0,221	0,636	1,316	0,128	0,017	0,308	1,176	75,319	19,629	22,903	23,297	23,023	20,071	19,972	19,842	19,835
3,500	0,221	0,637	1,321	0,128	0,014	0,307	1,176	75,327	19,541	22,869	29,534	29,291	20,072	19,971	19,847	19,839
3,833	0,221	0,629	1,314	0,128	0,019	0,312	1,174	75,294	19,533	22,856	26,296	25,934	20,070	19,977	19,845	19,839
4,167	0,224	0,618	1,315	0,130	0,015	0,321	1,174	75,288	19,596	22,888	24,725	25,625	20,066	19,971	19,841	19,838
4,500	0,224	0,609	1,312	0,130	0,011	0,327	1,174	75,302	19,605	22,881	25,672	26,761	20,076	19,972	19,848	19,843
4,833	0,223	0,606	1,309	0,131	0,019	0,329	1,174	75,234	19,542	22,822	24,276	23,217	20,087	19,974	19,841	19,846
5,167	0,223	0,608	1,304	0,129	0,011	0,326	1,173	75,205	19,576	22,875	24,498	26,368	20,072	19,975	19,857	19,846
5,500	0,224	0,607	1,309	0,131	0,013	0,324	1,174	75,133	19,563	22,853	25,535	31,324	20,075	19,975	19,854	19,849
5,833	0,224	0,603	1,319	0,131	0,012	0,327	1,174	75,084	19,610	22,860	27,642	28,939	20,047	19,971	19,850	19,850
6,167	0,223	0,598	1,311	0,129	0,014	0,330	1,174	75,026	19,642	22,828	27,791	26,954	20,073	19,987	19,849	19,854
6,500	0,224	0,594	1,316	0,129	0,020	0,333	1,173	75,027	19,638	22,861	25,237	27,420	20,094	19,994	19,857	19,858
6,833	0,224	0,588	1,320	0,129	0,013	0,337	1,172	75,011	19,671	22,848	26,471	28,584	20,109	19,979	19,854	19,857
7,167	0,224	0,582	1,320	0,129	0,011	0,341	1,172	74,996	19,655	22,873	21,375	51,243	20,126	19,995	19,859	19,861
7,500	0,224	0,580	1,314	0,129	0,010	0,341	1,172	74,974	19,643	22,831	16,420	113,816	20,131	19,982	19,866	19,862
7,834	0,224	0,578	1,315	0,129	0,010	0,341	1,172	74,980	19,627	22,817	18,559	19,408	20,130	19,995	19,857	19,866
8,167	0,223	0,573	1,307	0,129	0,014	0,344	1,172	74,983	19,648	22,782	24,905	23,508	20,135	20,008	19,865	19,869
8,500	0,222	0,567	1,312	0,130	0,009	0,347	1,172	74,955	19,656	22,779	26,355	27,785	20,145	19,982	19,851	19,867
8,834	0,226	0,563	1,313	0,129	0,014	0,350	1,171	74,883	19,657	22,817	23,471	25,156	20,148	19,988	19,867	19,873
9,167	0,228	0,560	1,320	0,130	0,014	0,352	1,171	74,861	19,716	22,832	20,331	30,967	20,147	19,993	19,874	19,874
9,500	0,228	0,557	1,318	0,131	0,022	0,352	1,171	74,801	19,742	22,784	30,088	24,883	20,155	19,982	19,859	19,870
9,834	0,228	0,550	1,313	0,131	0,017	0,356	1,171	74,752	19,711	22,788	18,744	-87,006	20,155	20,000	19,871	19,879
10,167	0,229	0,543	1,324	0,129	0,015	0,361	1,171	74,766	19,647	22,769	24,969	10,874	20,151	19,992	19,878	19,880
10,500	0,230	0,536	1,323	0,129	0,017	0,363	1,171	74,788	19,618	22,788	28,807	20,307	20,164	19,996	19,864	19,881
10,833	0,233	0,532	1,308	0,130	0,013	0,364	1,171	74,738	19,599	22,759	27,603	24,371	20,160	19,993	19,881	19,884
11,167	0,233	0,531	1,313	0,130	0,014	0,361	1,171	74,741	19,631	22,773	20,642	20,347	20,175	20,003	19,875	19,884

Pellematic 56_cat II_run 1_191211.Dat

Category: II

	1102	1103	1108	1109	130	230	101	102	1	2	3	6	7	8	11	
Mättid	T4 outlet load side	T3 inlet load side	T2 inlet boiler	T1 outlet boiler	Flow load side	Flow boiler side	Heat output load side	Heat output boiler	CO chimney	CO2 chimney	O2 chimney	Pstat	Pdyn	Tunnel velocity	Våg	Tidpunkt
Minuter	°C	°C	°C	°C	m³/h	m³/h	W	W	ppm	%	%	Pa	Pa	m/s	kg	Klockan
0,167	61,740	44,814	59,513	77,239	4,666	4,587	90747,878	93134,818	34,988	11,229	9,047	5,147	52,681	9,370	948,570	2019-12-11 10:52
0,500	61,751	44,783	59,550	77,310	0,506	0,513	9870,494	10417,572	34,058	11,113	9,114	5,131	52,120	9,320	948,570	2019-12-11 10:52
0,834	61,752	44,748	59,597	77,357	0,506	0,513	9900,037	10431,139	33,888	11,155	9,106	5,135	52,080	9,317	948,570	2019-12-11 10:52
1,201	61,907	44,721	59,624	77,431	0,506	0,625	10011,781	12729,638	34,240	11,373	8,847	5,212	52,608	9,364	948,570	2019-12-11 10:53
1,574	61,951	44,709	59,576	77,471	0,505	0,446	10025,267	9121,822	39,377	11,423	8,833	5,168	52,578	9,361	948,478	2019-12-11 10:53
1,972	61,975	44,730	59,532	77,503	0,506	0,512	10039,351	10531,515	59,562	11,473	8,749	5,201	53,239	9,420	948,478	2019-12-11 10:53
2,167	62,000	44,756	59,519	77,564	0,507	0,514	10053,821	10602,642	56,014	11,285	8,881	5,167	52,580	9,361	948,478	2019-12-11 10:54
2,500	62,047	44,826	59,543	77,602	0,506	0,511	10018,754	10558,729	55,469	11,106	9,040	5,168	52,575	9,361	948,478	2019-12-11 10:54
2,834	62,084	44,912	59,552	77,634	0,506	0,512	10001,081	10581,558	58,660	10,918	9,216	5,199	52,482	9,353	948,478	2019-12-11 10:54
3,167	62,152	45,012	59,589	77,643	0,506	0,511	9971,475	10554,107	55,809	10,924	9,241	5,139	52,523	9,356	948,478	2019-12-11 10:55
3,500	62,202	45,074	59,635	77,671	0,506	0,512	9970,551	10573,488	56,299	10,901	9,216	5,127	52,958	9,395	948,478	2019-12-11 10:55
3,833	62,257	45,114	59,711	77,708	0,506	0,513	9971,600	10565,407	57,387	10,665	9,368	5,131	52,778	9,379	948,352	2019-12-11 10:55
4,167	62,281	45,127	59,789	77,740	0,506	0,513	9985,684	10529,458	63,937	10,382	9,628	5,183	52,461	9,351	948,353	2019-12-11 10:56
4,500	62,286	45,109	59,836	77,732	0,505	0,512	9984,181	10487,312	60,583	10,178	9,805	5,205	52,701	9,372	948,351	2019-12-11 10:56
4,833	62,234	45,055	59,865	77,737	0,506	0,512	9993,848	10470,273	60,241	10,158	9,861	5,222	52,400	9,345	948,352	2019-12-11 10:56
5,167	62,121	44,987	59,882	77,755	0,506	0,513	9963,678	10489,407	61,004	10,187	9,774	5,143	52,028	9,312	948,257	2019-12-11 10:57
5,500	62,091	44,921	59,937	77,778	0,506	0,511	9986,409	10435,775	64,188	10,155	9,729	5,235	52,488	9,353	948,352	2019-12-11 10:57
5,833	62,091	44,861	59,960	77,791	0,506	0,513	10029,202	10452,837	61,173	10,039	9,798	5,234	52,400	9,345	948,352	2019-12-11 10:57
6,167	62,090	44,820	59,960	77,802	0,506	0,512	10053,901	10455,041	59,744	9,932	9,907	5,159	52,421	9,347	948,353	2019-12-11 10:58
6,500	62,071	44,792	59,952	77,791	0,504	0,511	10021,513	10435,499	63,524	9,813	9,982	5,142	52,484	9,353	948,257	2019-12-11 10:58
6,833	62,062	44,773	59,933	77,793	0,504	0,514	10030,301	10501,230	61,927	9,654	10,107	5,166	52,705	9,372	948,257	2019-12-11 10:58
7,167	62,061	44,783	59,959	77,820	0,504	0,512	10016,365	10458,657	63,107	9,531	10,219	5,158	52,625	9,365	948,257	2019-12-11 10:59
7,500	62,072	44,791	59,953	77,800	0,505	0,511	10030,099	10436,244	61,598	9,507	10,227	5,164	52,422	9,347	948,258	2019-12-11 10:59
7,834	62,080	44,806	59,931	77,766	0,505	0,512	10035,673	10446,997	63,206	9,439	10,231	5,151	52,600	9,363	948,258	2019-12-11 10:59
8,167	62,075	44,820	59,920	77,733	0,504	0,511	10009,820	10409,642	59,412	9,270	10,330	5,156	52,427	9,348	948,258	2019-12-11 11:00
8,500	61,623	44,841	59,914	77,749	0,505	0,510	9743,470	10410,948	59,490	9,161	10,418	5,186	52,411	9,346	948,257	2019-12-11 11:00
8,834	61,482	44,855	59,992	77,730	0,505	0,511	9650,941	10373,244	71,742	9,061	10,499	5,164	52,229	9,330	948,164	2019-12-11 11:00
9,167	61,502	44,874	60,225	77,712	0,505	0,512	9652,719	10245,698	72,455	8,982	10,555	5,181	52,711	9,373	948,164	2019-12-11 11:01
9,500	61,708	44,900	60,386	77,726	0,505	0,512	9767,220	10146,163	72,398	8,899	10,556	5,243	52,648	9,367	948,164	2019-12-11 11:01
9,834	61,716	44,936	60,397	77,686	0,505	0,513	9747,190	10132,628	73,764	8,693	10,684	5,230	52,713	9,373	948,258	2019-12-11 11:01
10,167	61,733	44,983	60,374	77,693	0,505	0,512	9735,397	10135,250	75,680	8,519	10,817	5,169	52,667	9,369	948,165	2019-12-11 11:02
10,500	61,730	45,036	60,352	77,691	0,505	0,512	9696,205	10146,683	78,881	8,357	10,902	5,158	53,066	9,404	948,164	2019-12-11 11:02
10,833	61,767	45,088	60,357	77,673	0,505	0,512	9684,222	10132,912	86,772	8,297	10,914	5,195	52,335	9,339	948,164	2019-12-11 11:02
11,167	61,787	45,132	60,372	77,633	0,505	0,513	9664,304	10122,484	83,245	8,267	10,838	5,198	52,716	9,373	948,164	2019-12-11 11:03

Pellematic 56_cat II_run 1_191211.Dat

Category: II

	301	302	304	305	306	308	317	1311	1312	1313	1314	1315	1316	1317	1318	1101
Mättid	CO chimney	CO2 chimney	Pdyn	Pstat	Static pressure chimney	O2 chimney	Våg	Flue gas temp	Ambient	Flue gas at pitot	filter temp 1	filter temp 2	gas meter temp 1	gas meter temp 2	gasmeter temp ambient	
Minuter	VDC	VDC	VDC	VDC	VDC	VDC	VDC	°C	°C	°C	°C	°C	°C	°C	°C	°C
11,500	0,231	0,531	1,318	0,130	0,020	0,359	1,171	74,672	19,646	22,769	23,936	21,515	20,162	20,009	19,870	19,881
11,833	0,231	0,530	1,312	0,130	0,009	0,359	1,171	74,678	19,683	22,781	27,272	31,764	20,171	20,005	19,881	19,884
12,167	0,233	0,528	1,313	0,129	0,016	0,357	1,171	74,643	19,615	22,767	11,481	-4,533	20,169	20,008	19,883	19,886
12,500	0,234	0,529	1,302	0,129	0,019	0,351	1,170	74,600	19,587	22,775	13,307	4,489	20,163	20,000	19,876	19,886
12,833	0,233	0,532	1,304	0,130	0,014	0,347	1,170	74,540	19,585	22,781	25,446	13,829	20,169	20,004	19,892	19,888
13,167	0,235	0,531	1,311	0,129	0,013	0,346	1,169	74,500	19,622	22,791	27,153	17,593	20,171	20,004	19,881	19,888
13,500	0,233	0,532	1,323	0,129	0,013	0,339	1,170	74,512	19,599	22,806	27,800	21,923	20,181	20,006	19,887	19,894
13,833	0,231	0,536	1,308	0,129	0,018	0,332	1,170	74,463	19,643	22,874	25,913	24,949	20,181	20,005	19,885	19,894
14,167	0,231	0,538	1,299	0,129	0,012	0,327	1,169	74,496	19,640	22,940	25,158	23,056	20,173	20,004	19,886	19,892
14,500	0,233	0,535	1,299	0,129	0,015	0,327	1,169	74,450	19,680	22,930	23,297	24,758	20,178	20,010	19,893	19,898
14,834	0,233	0,528	1,317	0,131	0,013	0,325	1,169	74,444	19,736	22,873	25,766	23,151	20,176	20,012	19,899	19,898
15,167	0,235	0,525	1,311	0,129	0,010	0,322	1,169	74,403	19,686	22,862	26,057	28,912	20,190	20,012	19,904	19,901
15,500	0,237	0,528	1,311	0,130	0,014	0,322	1,169	74,383	19,641	22,838	23,227	21,928	20,187	20,004	19,904	19,904
15,834	0,240	0,527	1,326	0,130	0,012	0,313	1,169	74,319	19,748	22,757	29,327	25,914	20,191	20,018	19,924	19,907
16,167	0,241	0,523	1,325	0,129	0,017	0,307	1,169	74,330	19,711	22,780	28,200	26,764	20,196	20,020	19,924	19,908
16,500	0,240	0,521	1,313	0,129	0,008	0,299	1,168	74,280	19,737	22,763	29,365	27,045	20,201	20,020	19,932	19,912
16,833	0,241	0,521	1,329	0,129	0,014	0,295	1,168	74,221	19,734	22,819	28,398	28,349	20,192	20,021	19,932	19,918
17,167	0,240	0,522	1,308	0,130	0,016	0,282	1,169	74,191	19,651	22,794	23,629	22,139	20,203	20,029	19,933	19,918
17,500	0,241	0,522	1,316	0,128	0,016	0,267	1,169	74,186	19,618	22,808	25,822	26,222	20,197	20,024	19,945	19,922
17,833	0,242	0,523	1,307	0,128	0,014	0,252	1,169	74,124	19,627	22,805	27,019	27,660	20,194	20,016	19,942	19,920
18,167	0,241	0,521	1,313	0,129	0,014	0,233	1,169	74,065	19,631	22,787	26,857	25,499	20,194	20,030	19,955	19,926
18,500	0,241	0,520	1,319	0,130	0,012	0,211	1,169	74,034	19,653	22,846	28,461	26,519	20,198	20,029	19,951	19,926
18,833	0,240	0,520	1,317	0,129	0,019	0,201	1,168	73,991	19,666	22,873	26,980	26,289	20,195	20,024	19,957	19,926
19,167	0,239	0,520	1,311	0,127	0,014	0,170	1,168	74,030	19,751	22,864	26,828	28,321	20,202	20,023	19,959	19,930
19,500	0,239	0,525	1,326	0,128	0,014	0,169	1,168	74,007	19,790	22,824	29,708	27,295	20,194	20,035	19,977	19,931
19,833	0,237	0,530	1,318	0,129	0,014	0,166	1,168	73,990	19,736	22,787	26,963	26,271	20,199	20,027	19,982	19,935
20,167	0,234	0,532	1,311	0,130	0,010	0,166	1,168	73,975	19,737	22,831	30,506	29,986	20,204	20,029	19,978	19,936
20,500	0,234	0,530	1,319	0,128	0,012	0,164	1,168	73,940	19,742	22,822	25,117	25,500	20,195	20,038	19,987	19,938
20,833	0,234	0,528	1,322	0,129	0,013	0,167	1,168	73,934	19,777	22,844	27,996	28,498	20,210	20,025	19,999	19,942
21,167	0,233	0,531	1,310	0,130	0,018	0,158	1,168	73,915	19,797	22,888	28,540	27,472	20,196	20,042	20,001	19,943
21,500	0,232	0,535	1,306	0,129	0,016	0,160	1,168	73,882	19,809	22,859	26,678	27,164	20,201	20,039	19,999	19,945
21,834	0,232	0,538	1,303	0,129	0,016	0,158	1,168	73,890	19,792	22,874	26,746	27,664	20,197	20,035	20,016	19,947
22,167	0,233	0,535	1,307	0,129	0,016	0,161	1,168	73,834	19,799	22,852	23,232	23,656	20,193	20,043	20,016	19,947
22,500	0,235	0,532	1,321	0,128	0,019	0,164	1,167	73,798	19,832	22,855	26,095	26,756	20,202	20,035	20,018	19,950
22,834	0,237	0,525	1,317	0,128	0,020	0,171	1,166	73,722	19,849	22,889	25,003	24,381	20,201	20,046	20,035	19,951
23,167	0,247	0,520	1,305	0,129	0,015	0,173	1,167	73,712	19,846	22,872	28,726	28,273	20,207	20,042	20,039	19,957
23,500	0,251	0,517	1,307	0,130	0,012	0,171	1,167	73,693	19,819	22,878	27,346	30,497	20,212	20,041	20,044	19,963

Pellematic 56_cat II_run 1_191211.Dat

Category: II

	1102	1103	1108	1109	130	230	101	102	1	2	3	6	7	8	11	
Mättid	T4 outlet load side	T3 inlet load side	T2 inlet boiler	T1 outlet boiler	Flow load side	Flow boiler side	Heat output load side	Heat output boiler	CO chimney	CO2 chimney	O2 chimney	Pstat	Pdyn	Tunnel velocity	Våg	Tidpunkt
Minuter	°C	°C	°C	°C	m³/h	m³/h	W	W	ppm	%	%	Pa	Pa	m/s	kg	Klockan
11,500	62,364	45,164	60,419	77,672	0,504	0,513	9977,465	10114,545	79,048	8,269	10,776	5,182	52,915	9,391	948,164	2019-12-11 11:03
11,833	62,340	45,177	60,289	77,597	0,505	0,513	9963,485	10152,287	79,472	8,236	10,761	5,190	52,277	9,334	948,164	2019-12-11 11:03
12,167	62,318	45,177	60,138	77,587	0,504	0,514	9941,175	10251,620	89,291	8,174	10,712	5,167	52,169	9,325	948,164	2019-12-11 11:04
12,500	62,287	45,155	60,072	77,570	0,504	0,514	9934,794	10280,784	88,200	8,267	10,520	5,154	52,061	9,315	948,164	2019-12-11 11:04
12,833	62,196	45,121	60,047	77,570	0,504	0,513	9900,483	10290,195	85,848	8,301	10,416	5,215	52,329	9,339	948,164	2019-12-11 11:04
13,167	62,100	45,079	60,031	77,514	0,505	0,514	9877,469	10273,098	91,389	8,254	10,383	5,157	52,287	9,335	948,070	2019-12-11 11:05
13,500	62,075	45,022	60,054	77,510	0,504	0,513	9892,585	10233,154	82,827	8,342	10,156	5,168	52,940	9,393	948,070	2019-12-11 11:05
13,833	62,517	44,966	60,041	77,466	0,504	0,514	10176,355	10236,092	79,223	8,402	9,949	5,144	52,119	9,320	948,164	2019-12-11 11:05
14,167	62,741	44,904	59,938	77,437	0,503	0,513	10325,667	10276,365	82,155	8,468	9,819	5,155	51,998	9,309	948,070	2019-12-11 11:06
14,500	62,665	44,850	59,655	77,359	0,504	0,513	10320,966	10393,750	83,925	8,327	9,799	5,180	52,196	9,327	948,070	2019-12-11 11:06
14,834	62,653	44,805	59,472	77,352	0,504	0,514	10337,026	10507,031	84,836	8,161	9,744	5,232	52,709	9,373	948,070	2019-12-11 11:06
15,167	62,610	44,773	59,358	77,336	0,504	0,514	10341,877	10563,256	94,901	8,147	9,654	5,160	52,788	9,380	948,070	2019-12-11 11:07
15,500	62,898	44,747	59,269	77,291	0,504	0,514	10523,652	10591,283	97,165	8,207	9,671	5,189	52,219	9,329	948,070	2019-12-11 11:07
15,834	63,125	44,723	59,139	77,255	0,504	0,512	10659,771	10615,233	103,561	8,163	9,386	5,191	52,778	9,379	948,070	2019-12-11 11:07
16,167	63,070	44,710	58,872	77,210	0,504	0,512	10641,524	10753,970	107,084	8,032	9,213	5,171	53,118	9,409	948,070	2019-12-11 11:08
16,500	63,033	44,704	58,708	77,151	0,504	0,513	10625,228	10829,112	103,145	8,003	8,979	5,142	52,513	9,355	947,978	2019-12-11 11:08
16,833	63,008	44,698	58,628	77,138	0,504	0,512	10622,693	10847,453	104,316	8,058	8,845	5,173	52,828	9,383	947,978	2019-12-11 11:08
17,167	62,983	44,694	58,575	77,092	0,504	0,513	10594,152	10866,749	103,647	8,043	8,471	5,202	52,176	9,325	948,070	2019-12-11 11:09
17,500	62,943	44,685	58,547	77,045	0,504	0,512	10578,789	10838,797	106,739	8,070	8,015	5,114	52,783	9,379	948,070	2019-12-11 11:09
17,833	62,922	44,676	58,513	76,995	0,503	0,513	10564,792	10852,747	106,499	8,052	7,568	5,126	52,478	9,352	948,070	2019-12-11 11:09
18,167	62,892	44,660	58,494	76,926	0,504	0,511	10565,377	10781,005	107,128	8,023	6,979	5,160	52,401	9,345	948,070	2019-12-11 11:10
18,500	62,861	44,635	58,452	76,866	0,504	0,512	10564,306	10796,924	104,051	8,014	6,316	5,186	53,042	9,402	948,070	2019-12-11 11:10
18,833	62,813	44,595	58,418	76,802	0,504	0,512	10561,575	10763,920	104,070	7,964	6,023	5,156	52,604	9,363	947,978	2019-12-11 11:10
19,167	62,761	44,551	58,378	76,840	0,504	0,510	10550,767	10776,843	100,369	8,052	5,103	5,097	52,468	9,351	947,978	2019-12-11 11:11
19,500	62,754	44,498	58,317	76,711	0,503	0,511	10572,438	10756,758	99,193	8,156	5,084	5,138	53,045	9,403	947,977	2019-12-11 11:11
19,833	62,722	44,449	58,269	76,671	0,503	0,513	10582,026	10803,960	93,667	8,266	4,966	5,169	52,614	9,364	947,978	2019-12-11 11:11
20,167	63,292	44,406	58,238	76,652	0,504	0,512	10956,909	10787,654	86,273	8,301	4,979	5,191	52,633	9,366	948,070	2019-12-11 11:12
20,500	63,174	44,366	58,056	76,533	0,503	0,511	10892,251	10801,778	87,113	8,250	4,908	5,128	52,670	9,369	947,979	2019-12-11 11:12
20,833	63,110	44,330	57,789	76,502	0,504	0,511	10879,781	10951,396	86,853	8,212	5,024	5,154	52,784	9,379	947,978	2019-12-11 11:12
21,167	63,043	44,295	57,645	76,403	0,504	0,511	10862,655	10973,323	84,340	8,303	4,748	5,182	52,438	9,349	947,978	2019-12-11 11:13
21,500	62,992	44,265	57,565	76,325	0,503	0,510	10846,147	10950,868	83,248	8,421	4,795	5,165	52,153	9,323	947,978	2019-12-11 11:13
21,834	62,942	44,232	57,490	76,282	0,503	0,512	10835,266	11013,904	81,655	8,429	4,748	5,162	52,348	9,341	947,978	2019-12-11 11:13
22,167	62,885	44,206	57,449	76,217	0,504	0,511	10822,316	10984,303	86,357	8,366	4,831	5,142	52,249	9,332	947,978	2019-12-11 11:14
22,500	62,849	44,196	57,403	76,129	0,504	0,510	10810,240	10933,969	91,182	8,262	4,908	5,117	52,686	9,371	947,852	2019-12-11 11:14
22,834	62,792	44,182	57,339	76,115	0,504	0,510	10793,462	10965,993	96,761	8,070	5,125	5,123	52,550	9,359	947,852	2019-12-11 11:14
23,167	62,742	44,179	57,281	76,051	0,504	0,510	10763,495	10965,626	130,413	7,981	5,197	5,159	52,019	9,311	947,977	2019-12-11 11:15
23,500	62,757	44,178	57,234	75,991	0,504	0,509	10770,964	10935,570	134,613	7,905	5,143	5,208	52,456	9,350	947,978	2019-12-11 11:15

Pellematic 56_cat II_run 1_191211.Dat

Category: II

	301	302	304	305	306	308	317	1311	1312	1313	1314	1315	1316	1317	1318	1101
Mättid	CO chimney	CO2 chimney	Pdyn	Pstat	Static pressure chimney	O2 chimney	Våg	Flue gas temp	Ambient	Flue gas at pitot	filter temp 1	filter temp 2	gas meter temp 1	gas meter temp 2	gasmeter temp ambient	
Minuter	VDC	VDC	VDC	VDC	VDC	VDC	VDC	°C	°C	°C	°C	°C	°C	°C	°C	°C
23,833	0,255	0,517	1,316	0,128	0,013	0,177	1,167	73,603	19,775	22,820	26,611	26,280	20,209	20,050	20,045	19,959
24,167	0,254	0,519	1,317	0,128	0,021	0,181	1,167	73,532	19,795	22,828	23,768	23,857	20,214	20,044	20,051	19,961
24,500	0,253	0,522	1,320	0,127	0,012	0,178	1,166	73,517	19,791	22,864	28,672	30,477	20,213	20,061	20,070	19,965
24,833	0,251	0,523	1,314	0,129	0,012	0,175	1,166	73,520	19,789	22,875	22,436	23,283	20,221	20,055	20,071	19,969
25,167	0,252	0,523	1,313	0,129	0,012	0,174	1,168	73,474	19,809	22,864	29,221	28,429	20,207	20,051	20,077	19,969
25,500	0,250	0,530	1,319	0,129	0,017	0,173	1,167	73,490	19,837	22,898	24,167	24,949	20,205	20,053	20,071	19,970
25,833	0,246	0,533	1,320	0,129	0,014	0,174	1,168	73,517	19,848	22,886	25,736	27,000	20,198	20,053	20,088	19,971
26,167	0,245	0,531	1,307	0,128	0,008	0,171	1,167	73,472	19,831	22,842	28,885	31,149	20,213	20,059	20,093	19,975
26,500	0,245	0,529	1,323	0,127	0,020	0,183	1,168	73,394	19,829	22,868	24,073	25,122	20,219	20,067	20,105	19,979
26,833	0,245	0,527	1,318	0,128	0,014	0,181	1,166	73,350	19,827	22,809	25,888	25,693	20,216	20,057	20,100	19,976
27,167	0,246	0,523	1,314	0,128	0,010	0,178	1,166	73,330	19,830	22,863	22,272	34,213	20,210	20,062	20,103	19,979
27,500	0,248	0,516	1,323	0,128	0,012	0,186	1,166	73,337	19,815	22,889	27,619	27,325	20,208	20,061	20,123	19,982
27,833	0,252	0,507	1,310	0,127	0,019	0,190	1,166	73,332	19,805	22,919	24,513	23,611	20,203	20,058	20,122	19,982
28,167	0,251	0,504	1,298	0,127	0,018	0,186	1,166	73,304	19,828	22,929	22,842	23,863	20,218	20,057	20,133	19,987
28,500	0,247	0,507	1,313	0,128	0,018	0,187	1,167	73,234	19,811	22,940	23,425	25,155	20,210	20,062	20,143	19,986
28,834	0,246	0,514	1,311	0,128	0,015	0,181	1,166	73,197	19,807	22,958	25,545	26,339	20,211	20,063	20,146	19,988
29,167	0,247	0,518	1,308	0,128	0,013	0,181	1,167	73,172	19,840	22,962	26,997	41,195	20,213	20,068	20,143	19,989
29,500	0,255	0,515	1,304	0,126	0,015	0,183	1,166	73,131	19,876	22,968	28,625	32,122	20,220	20,071	20,143	19,990
29,834	0,257	0,514	1,312	0,126	0,015	0,180	1,166	73,092	19,896	22,942	29,755	-6,846	20,220	20,053	20,161	19,993
30,167	0,255	0,517	1,323	0,127	0,015	0,180	1,166	73,098	19,814	22,912	3,660	6,066	20,209	20,068	20,162	19,994
30,500	0,251	0,519	1,316	0,126	0,016	0,180	1,166	73,064	19,834	22,927	16,351	18,087	20,209	20,068	20,165	19,998
30,833	0,249	0,519	1,303	0,127	0,016	0,182	1,167	73,045	19,846	22,915	24,651	22,395	20,219	20,070	20,178	20,003
31,167	0,253	0,515	1,312	0,127	0,009	0,183	1,166	73,001	19,838	22,946	29,357	28,845	20,204	20,068	20,190	20,005
31,500	0,254	0,516	1,316	0,125	0,015	0,182	1,166	72,956	19,849	22,955	-10,241	23,763	20,215	20,066	20,187	20,003
31,833	0,254	0,518	1,315	0,126	0,019	0,183	1,166	72,883	19,867	22,967	11,416	21,309	20,232	20,070	20,199	20,004
32,167	0,255	0,520	1,307	0,127	0,020	0,182	1,166	72,862	19,840	22,932	6,732	25,441	20,282	20,072	20,217	20,011
32,500	0,256	0,518	1,319	0,126	0,013	0,182	1,166	72,840	19,828	22,915	-4987,508	-9999,000	20,280	20,088	20,212	20,014
32,833	0,249	0,517	1,316	0,126	0,009	0,182	1,166	72,779	19,836	22,895	-132,319	-9999,000	20,289	20,083	20,229	20,024
33,167	0,247	0,516	1,309	0,126	0,012	0,178	1,166	72,736	19,822	22,906	-7,571	-29,244	20,283	20,087	20,228	20,016
33,500	0,248	0,518	1,310	0,127	0,017	0,182	1,165	72,740	19,853	22,861	10,177	-5,678	20,290	20,092	20,228	20,022
33,833	0,250	0,517	1,319	0,127	0,019	0,179	1,165	72,721	19,834	22,884	21,414	4,938	20,297	20,147	20,238	20,022
34,167	0,249	0,516	1,312	0,124	0,018	0,184	1,164	72,674	19,819	23,008	25,795	9,962	20,298	20,143	20,228	20,019
34,500	0,251	0,511	1,303	0,124	0,011	0,186	1,164	72,597	19,863	23,115	25,690	18,071	20,310	20,145	20,240	20,028
34,834	0,238	0,511	1,321	0,125	0,010	0,187	1,164	72,520	19,751	23,120	23,886	17,353	20,329	20,140	20,245	20,032
35,167	0,234	0,522	1,316	0,125	0,015	0,186	1,163	72,766	19,783	23,342	27,150	21,515	20,322	20,142	20,251	20,032
35,500	0,233	0,511	1,319	0,123	0,011	0,192	1,163	73,002	19,784	23,473	29,372	23,312	20,334	20,147	20,251	20,034
35,834	0,225	0,518	1,317	0,123	0,009	0,187	1,163	73,151	19,772	23,506	32,977	27,768	20,347	20,134	20,265	20,033

Pellematic 56_cat II_run 1_191211.Dat

Category: II

	1102	1103	1108	1109	130	230	101	102	1	2	3	6	7	8	11	
Mättid	T4 outlet load side	T3 inlet load side	T2 inlet boiler	T1 outlet boiler	Flow load side	Flow boiler side	Heat output load side	Heat output boiler	CO chimney	CO2 chimney	O2 chimney	Pstat	Pdyn	Tunnel velocity	Våg	Tidpunkt
Minuter	°C	°C	°C	°C	m³/h	m³/h	W	W	ppm	%	%	Pa	Pa	m/s	kg	Klockan
23,833	62,722	44,176	57,183	75,938	0,503	0,511	10742,309	10965,959	139,965	7,933	5,295	5,136	52,752	9,377	947,978	2019-12-11 11:15
24,167	62,961	44,167	57,146	75,838	0,504	0,510	10896,872	10915,291	134,699	7,976	5,440	5,121	52,698	9,372	947,852	2019-12-11 11:16
24,500	63,208	44,146	57,085	75,787	0,504	0,510	11044,104	10917,597	133,807	8,066	5,348	5,090	52,658	9,368	947,852	2019-12-11 11:16
24,833	63,088	44,113	56,863	75,715	0,504	0,508	10995,152	10973,825	130,677	8,088	5,241	5,177	52,529	9,357	947,852	2019-12-11 11:16
25,167	63,015	44,080	56,672	75,612	0,504	0,508	10978,195	11025,524	131,684	8,078	5,213	5,153	52,688	9,371	947,977	2019-12-11 11:17
25,500	62,947	44,036	56,549	75,544	0,503	0,510	10941,312	11097,213	124,039	8,303	5,201	5,163	52,900	9,390	947,977	2019-12-11 11:17
25,833	62,884	43,999	56,494	75,456	0,503	0,512	10940,331	11110,892	116,704	8,332	5,223	5,153	52,940	9,393	947,978	2019-12-11 11:17
26,167	62,849	43,971	56,468	75,394	0,503	0,511	10934,876	11082,503	115,311	8,273	5,143	5,122	52,143	9,322	947,852	2019-12-11 11:18
26,500	62,784	43,957	56,433	75,350	0,503	0,511	10905,574	11062,841	114,824	8,209	5,490	5,069	52,635	9,366	947,977	2019-12-11 11:18
26,833	62,754	43,941	56,375	75,263	0,503	0,510	10897,049	11026,712	116,351	8,148	5,423	5,128	52,651	9,368	947,852	2019-12-11 11:18
27,167	62,720	43,940	56,304	75,215	0,504	0,510	10884,796	11045,769	120,352	8,034	5,343	5,123	52,646	9,367	947,851	2019-12-11 11:19
27,500	62,910	43,947	56,239	75,116	0,504	0,510	10987,088	11038,521	125,367	7,846	5,580	5,111	53,118	9,409	947,852	2019-12-11 11:19
27,833	63,165	43,954	56,189	75,011	0,504	0,510	11133,435	10989,672	133,969	7,616	5,690	5,086	52,189	9,326	947,852	2019-12-11 11:19
28,167	63,072	43,959	55,989	74,942	0,504	0,510	11086,800	11074,132	126,820	7,633	5,586	5,080	51,988	9,308	947,851	2019-12-11 11:20
28,500	62,999	43,957	55,820	74,897	0,504	0,508	11036,360	11104,815	116,074	7,712	5,618	5,114	52,609	9,364	947,977	2019-12-11 11:20
28,834	62,938	43,956	55,691	74,816	0,503	0,509	10991,668	11143,282	117,108	7,919	5,434	5,128	52,551	9,359	947,852	2019-12-11 11:20
29,167	62,873	43,953	55,634	74,723	0,503	0,508	10945,261	11120,769	127,293	7,950	5,431	5,101	52,151	9,323	947,852	2019-12-11 11:21
29,500	62,837	43,940	55,593	74,623	0,503	0,508	10944,160	11077,329	143,507	7,844	5,482	5,060	52,471	9,352	947,886	2019-12-11 11:21
29,834	62,775	43,932	55,551	74,570	0,504	0,508	10917,698	11075,064	145,606	7,872	5,398	5,049	52,364	9,342	947,851	2019-12-11 11:21
30,167	62,756	43,928	55,502	74,442	0,503	0,508	10901,914	11015,393	139,144	7,963	5,413	5,088	52,668	9,369	947,852	2019-12-11 11:22
30,500	62,717	43,927	55,447	74,380	0,503	0,508	10874,959	11029,281	128,487	7,989	5,405	5,049	52,594	9,363	947,852	2019-12-11 11:22
30,833	62,937	43,929	55,409	74,326	0,503	0,509	11009,952	11030,254	128,990	7,952	5,473	5,083	52,161	9,324	947,852	2019-12-11 11:22
31,167	63,127	43,934	55,352	74,215	0,504	0,508	11125,497	10977,025	137,643	7,878	5,498	5,086	52,604	9,363	947,851	2019-12-11 11:23
31,500	63,025	43,938	55,145	74,147	0,503	0,509	11056,945	11075,418	138,305	7,925	5,474	5,006	52,803	9,381	947,852	2019-12-11 11:23
31,833	62,938	43,950	54,979	74,074	0,503	0,507	11000,003	11101,892	138,061	7,976	5,482	5,037	52,405	9,346	947,852	2019-12-11 11:23
32,167	62,887	43,967	54,888	73,952	0,503	0,508	10954,748	11100,514	139,316	8,006	5,459	5,069	52,100	9,318	947,852	2019-12-11 11:24
32,500	62,834	43,987	54,845	73,874	0,503	0,509	10909,702	11103,809	142,735	7,943	5,448	5,056	53,046	9,403	947,851	2019-12-11 11:24
32,833	62,802	44,009	54,827	73,835	0,504	0,509	10887,940	11094,542	119,172	7,926	5,445	5,040	52,817	9,382	947,852	2019-12-11 11:24
33,167	62,827	44,028	54,801	73,700	0,503	0,508	10873,661	11006,346	121,597	7,879	5,326	5,052	51,796	9,291	947,851	2019-12-11 11:25
33,500	63,008	44,042	54,760	73,638	0,503	0,509	10977,408	11011,013	124,402	7,949	5,446	5,090	52,302	9,336	947,758	2019-12-11 11:25
33,833	63,190	44,063	54,711	73,561	0,503	0,509	11076,999	10990,920	127,895	7,918	5,379	5,069	52,653	9,368	947,758	2019-12-11 11:25
34,167	63,079	44,081	54,538	73,458	0,503	0,508	11005,850	11018,972	127,145	7,909	5,515	4,977	52,438	9,349	947,758	2019-12-11 11:26
34,500	63,012	44,096	54,399	73,370	0,503	0,509	10953,911	11078,155	128,192	7,683	5,591	4,954	52,090	9,318	947,758	2019-12-11 11:26
34,834	62,947	44,100	54,330	73,307	0,504	0,507	10927,633	11031,732	87,981	7,938	5,616	4,999	52,726	9,374	947,757	2019-12-11 11:26
35,167	62,888	44,111	54,268	73,254	0,503	0,507	10871,574	11029,871	89,289	7,992	5,586	4,998	52,716	9,373	947,758	2019-12-11 11:27
35,500	62,829	44,119	54,218	73,106	0,503	0,508	10831,002	11002,505	82,699	7,775	5,749	4,936	52,623	9,365	947,664	2019-12-11 11:27
35,834	62,786	44,123	54,203	73,084	0,503	0,508	10801,461	11001,769	63,744	8,005	5,616	4,902	52,601	9,363	947,664	2019-12-11 11:27

Pellematic 56_cat II_run 1_191211.Dat

Category: II

	301	302	304	305	306	308	317	1311	1312	1313	1314	1315	1316	1317	1318	1101
Mättid	CO chimney	CO2 chimney	Pdyn	Pstat	Static pressure chimney	O2 chimney	Våg	Flue gas temp	Ambient	Flue gas at pitot	filter temp 1	filter temp 2	gas meter temp 1	gas meter temp 2	gasmeter temp ambient	
Minuter	VDC	VDC	VDC	VDC	VDC	VDC	VDC	°C	°C	°C	°C	°C	°C	°C	°C	°C
36,167	0,227	0,520	1,301	0,125	0,010	0,186	1,163	73,364	19,753	23,597	29,533	23,403	20,345	20,134	20,260	20,034
36,500	0,227	0,518	1,316	0,122	0,016	0,186	1,163	73,546	19,771	23,641	32,429	26,930	20,349	20,144	20,270	20,034
36,834	0,226	0,512	1,307	0,125	0,010	0,190	1,163	73,708	19,748	23,708	31,920	29,998	20,356	20,136	20,279	20,036
37,167	0,228	0,505	1,321	0,124	0,019	0,193	1,163	73,897	19,833	23,698	26,184	22,746	20,355	20,145	20,285	20,038
37,500	0,230	0,506	1,310	0,123	0,017	0,194	1,163	73,973	19,803	23,648	28,703	25,389	20,364	20,129	20,279	20,040
37,833	0,233	0,511	1,313	0,125	0,007	0,191	1,163	74,089	19,813	23,644	29,851	30,014	20,360	20,132	20,283	20,044
38,167	0,233	0,507	1,323	0,126	0,015	0,194	1,162	74,219	19,869	23,636	31,083	27,027	20,372	20,139	20,295	20,045
38,500	0,233	0,495	1,319	0,125	0,012	0,200	1,162	74,330	19,900	23,608	32,222	31,034	20,366	20,139	20,302	20,046
38,833	0,234	0,485	1,311	0,125	0,008	0,204	1,163	74,394	19,888	23,627	26,956	28,911	20,365	20,133	20,304	20,048
39,167	0,233	0,481	1,314	0,126	0,015	0,206	1,162	74,496	19,766	23,662	26,685	26,917	20,373	20,137	20,307	20,049
39,500	0,232	0,484	1,310	0,126	0,019	0,212	1,162	74,617	19,669	23,645	26,571	24,982	20,361	20,133	20,312	20,049
39,833	0,231	0,484	1,305	0,128	0,015	0,214	1,162	74,446	19,730	23,318	28,267	28,928	20,368	20,134	20,316	20,052
40,167	0,233	0,492	1,312	0,128	0,020	0,210	1,162	74,283	19,761	23,180	26,666	25,998	20,378	20,137	20,326	20,056
40,500	0,241	0,493	1,320	0,127	0,020	0,211	1,162	74,158	19,842	23,107	29,460	28,734	20,369	20,130	20,320	20,054
40,833	0,248	0,488	1,316	0,128	0,009	0,208	1,163	74,044	19,794	23,082	34,464	29,663	20,377	20,133	20,336	20,060
41,167	0,254	0,479	1,317	0,127	0,016	0,213	1,162	73,974	19,822	23,091	26,984	26,824	20,378	20,141	20,339	20,064
41,500	0,255	0,474	1,311	0,127	0,009	0,216	1,161	73,884	19,852	23,051	26,196	30,247	20,378	20,139	20,353	20,065
41,834	0,250	0,481	1,306	0,128	0,008	0,215	1,160	73,854	19,875	23,069	25,538	26,979	20,371	20,135	20,347	20,066
42,167	0,248	0,489	1,312	0,128	0,012	0,212	1,161	73,824	19,922	23,078	23,159	30,318	20,373	20,128	20,343	20,066
42,500	0,245	0,493	1,304	0,129	0,017	0,212	1,161	73,798	19,945	23,074	17,137	85,838	20,386	20,146	20,357	20,071
42,834	0,242	0,500	1,305	0,128	0,013	0,204	1,161	73,742	19,942	23,088	34,215	32,681	20,372	20,151	20,361	20,074
43,167	0,238	0,506	1,313	0,129	0,023	0,203	1,162	73,708	19,964	23,052	1,637	14,688	20,375	20,152	20,368	20,074
43,500	0,237	0,511	1,319	0,129	0,013	0,097	1,161	73,670	19,978	22,978	31,545	50,673	20,385	20,139	20,352	20,073
43,834	0,237	0,516	1,315	0,128	0,013	0,199	1,161	73,602	19,999	22,993	37,095	39,171	20,382	20,140	20,376	20,075
44,167	0,239	0,516	1,332	0,128	0,007	0,196	1,160	73,572	19,995	23,041	36,765	30,348	20,383	20,142	20,376	20,080
44,500	0,236	0,516	1,321	0,127	0,011	0,198	1,160	73,531	19,964	23,069	18,474	22,529	20,382	20,146	20,373	20,082
44,833	0,234	0,522	1,305	0,126	0,011	0,196	1,160	73,475	19,965	23,047	20,098	-15,304	20,369	20,142	20,378	20,081
45,167	0,231	0,533	1,316	0,125	0,014	0,197	1,160	73,464	19,958	23,088	19,111	15,774	20,384	20,144	20,389	20,085
45,500	0,231	0,537	1,301	0,126	0,008	0,198	1,160	73,421	19,977	23,105	26,669	35,955	20,384	20,145	20,393	20,087
45,833	0,229	0,542	1,306	0,126	0,016	0,191	1,161	73,391	20,032	23,090	27,915	25,356	20,393	20,152	20,392	20,091
46,167	0,229	0,544	1,313	0,125	0,008	0,008	1,160	73,357	20,049	23,080	29,735	30,735	20,388	20,149	20,407	20,094
46,500	0,228	0,543	1,315	0,126	0,015	0,095	1,160	73,331	20,002	23,124	31,470	23,045	20,393	20,158	20,403	20,097
46,833	0,228	0,552	1,312	0,125	0,015	0,185	1,160	73,299	19,987	23,102	20,701	25,751	20,378	20,150	20,409	20,097
47,167	0,228	0,561	1,316	0,126	0,017	0,179	1,160	73,246	20,021	23,065	16,386	19,179	20,382	20,153	20,414	20,099
47,500	0,231	0,560	1,312	0,127	0,012	0,178	1,160	73,221	20,016	23,076	27,259	30,237	20,397	20,154	20,411	20,102
47,833	0,231	0,556	1,314	0,125	0,014	-0,003	1,160	73,224	20,034	23,067	26,333	28,545	20,377	20,145	20,416	20,101
48,167	0,231	0,556	1,306	0,124	0,017	0,016	1,161	73,392	20,052	23,378	23,973	31,732	20,391	20,174	20,419	20,114

Pellematic 56_cat II_run 1_191211.Dat

Category: II

	1102	1103	1108	1109	130	230	101	102	1	2	3	6	7	8	11	
Mättid	T4 outlet load side	T3 inlet load side	T2 inlet boiler	T1 outlet boiler	Flow load side	Flow boiler side	Heat output load side	Heat output boiler	CO chimney	CO2 chimney	O2 chimney	Pstat	Pdyn	Tunnel velocity	Våg	Tidpunkt
Minuter	°C	°C	°C	°C	m³/h	m³/h	W	W	ppm	%	%	Pa	Pa	m/s	kg	Klockan
36,167	62,792	44,131	54,191	73,043	0,504	0,509	10821,560	10998,788	71,583	7,980	5,589	4,980	52,084	9,317	947,664	2019-12-11 11:28
36,500	62,730	44,133	54,158	72,975	0,503	0,507	10768,313	10938,674	68,480	7,906	5,574	4,900	52,881	9,388	947,664	2019-12-11 11:28
36,834	62,996	44,139	54,105	72,904	0,503	0,508	10917,736	10943,901	70,237	7,734	5,697	5,005	52,451	9,350	947,664	2019-12-11 11:28
37,167	63,054	44,139	54,019	72,863	0,504	0,508	10958,679	10976,214	72,758	7,609	5,776	4,963	52,692	9,371	947,664	2019-12-11 11:29
37,500	62,974	44,141	53,861	72,787	0,503	0,506	10898,723	10991,379	78,460	7,694	5,809	4,918	52,368	9,342	947,664	2019-12-11 11:29
37,833	62,913	44,140	53,745	72,803	0,503	0,507	10870,527	11085,256	86,936	7,772	5,721	5,004	52,452	9,350	947,664	2019-12-11 11:29
38,167	62,892	44,137	53,698	72,779	0,503	0,507	10863,449	11100,140	82,153	7,628	5,832	5,032	52,962	9,395	947,570	2019-12-11 11:30
38,500	62,855	44,124	53,669	72,732	0,503	0,507	10847,260	11078,587	86,343	7,316	6,004	5,009	52,570	9,360	947,570	2019-12-11 11:30
38,833	62,830	44,106	53,637	72,740	0,503	0,507	10838,124	11101,390	87,861	7,062	6,123	4,986	52,553	9,359	947,664	2019-12-11 11:30
39,167	62,861	44,086	53,606	72,706	0,503	0,506	10869,097	11089,727	84,493	7,039	6,179	5,027	52,869	9,387	947,569	2019-12-11 11:31
39,500	62,833	44,069	53,577	72,722	0,503	0,508	10864,557	11148,701	81,227	7,122	6,360	5,057	52,351	9,341	947,570	2019-12-11 11:31
39,833	62,831	44,046	53,549	72,723	0,503	0,508	10865,852	11159,076	81,640	7,067	6,413	5,112	52,103	9,319	947,592	2019-12-11 11:31
40,167	62,804	44,024	53,537	72,707	0,503	0,509	10862,921	11189,869	90,231	7,373	6,310	5,124	52,437	9,349	947,664	2019-12-11 11:32
40,500	62,817	44,009	53,527	72,716	0,503	0,509	10880,508	11194,896	110,843	7,291	6,337	5,065	52,855	9,386	947,664	2019-12-11 11:32
40,833	62,804	43,991	53,513	72,697	0,503	0,506	10896,246	11136,443	125,614	7,155	6,233	5,116	52,765	9,378	947,664	2019-12-11 11:32
41,167	63,040	43,981	53,467	72,670	0,503	0,508	11030,816	11178,541	141,441	6,908	6,387	5,092	52,587	9,362	947,628	2019-12-11 11:33
41,500	63,218	43,969	53,419	72,671	0,503	0,508	11136,172	11205,603	137,472	6,873	6,488	5,085	52,408	9,346	947,570	2019-12-11 11:33
41,834	63,140	43,960	53,270	72,620	0,503	0,507	11107,854	11260,210	125,300	7,108	6,458	5,119	52,101	9,319	947,571	2019-12-11 11:33
42,167	63,121	43,957	53,168	72,575	0,503	0,508	11095,466	11302,295	124,291	7,246	6,350	5,114	52,614	9,364	947,570	2019-12-11 11:34
42,500	63,099	43,950	53,115	72,550	0,503	0,507	11088,575	11301,870	115,286	7,356	6,357	5,147	51,976	9,307	947,570	2019-12-11 11:34
42,834	63,072	43,944	53,066	72,505	0,502	0,507	11058,451	11297,887	108,090	7,523	6,124	5,103	52,133	9,321	947,570	2019-12-11 11:34
43,167	63,307	43,937	53,034	72,447	0,503	0,506	11207,225	11271,016	96,748	7,706	6,091	5,159	52,686	9,371	947,570	2019-12-11 11:35
43,500	63,416	43,929	52,967	72,343	0,503	0,507	11289,474	11257,374	95,073	7,810	2,910	5,142	52,887	9,389	947,570	2019-12-11 11:35
43,834	63,318	43,928	52,808	72,317	0,503	0,507	11226,532	11335,458	96,498	7,919	5,971	5,108	52,439	9,349	947,570	2019-12-11 11:35
44,167	63,264	43,931	52,704	72,219	0,503	0,506	11194,544	11332,000	98,421	7,886	5,886	5,103	53,540	9,446	947,478	2019-12-11 11:36
44,500	63,204	43,938	52,633	72,129	0,503	0,505	11158,420	11299,116	90,707	7,904	5,941	5,087	52,538	9,358	947,478	2019-12-11 11:36
44,833	63,145	43,957	52,584	72,073	0,503	0,507	11111,565	11336,125	84,004	8,145	5,891	5,031	52,509	9,355	947,478	2019-12-11 11:36
45,167	63,145	43,985	52,556	71,947	0,504	0,506	11103,375	11254,375	79,291	8,384	5,896	4,995	52,747	9,376	947,479	2019-12-11 11:37
45,500	63,120	44,024	52,542	71,881	0,503	0,506	11045,490	11233,651	80,642	8,451	5,936	5,027	51,797	9,291	947,483	2019-12-11 11:37
45,833	63,304	44,070	52,517	71,768	0,503	0,507	11133,181	11195,956	74,691	8,576	5,734	5,021	52,495	9,354	947,570	2019-12-11 11:37
46,167	63,408	44,111	52,479	71,733	0,503	0,505	11165,196	11160,710	74,013	8,594	0,227	5,006	52,595	9,363	947,478	2019-12-11 11:38
46,500	63,298	44,140	52,335	71,654	0,503	0,507	11091,130	11235,838	71,329	8,598	2,856	5,026	52,753	9,377	947,479	2019-12-11 11:38
46,833	63,243	44,158	52,269	71,572	0,503	0,507	11049,374	11220,874	73,323	8,913	5,549	4,999	52,197	9,327	947,478	2019-12-11 11:38
47,167	63,196	44,167	52,237	71,501	0,503	0,507	11004,542	11215,315	75,437	9,050	5,364	5,046	52,656	9,368	947,478	2019-12-11 11:39
47,500	63,140	44,161	52,234	71,439	0,503	0,507	10985,828	11176,226	80,556	8,912	5,331	5,062	52,523	9,356	947,479	2019-12-11 11:39
47,833	63,104	44,144	52,226	71,354	0,502	0,506	10956,816	11108,237	80,559	8,904	-0,087	5,010	52,502	9,354	947,478	2019-12-11 11:39
48,167	63,075	44,135	52,200	71,303	0,502	0,507	10949,865	11105,412	80,474	8,900	0,470	4,955	52,142	9,322	947,569	2019-12-11 11:40

Pellematic 56_cat II_run 1_191211.Dat

Category: II

	301	302	304	305	306	308	317	1311	1312	1313	1314	1315	1316	1317	1318	1101
Mättid	CO chimney	CO2 chimney	Pdyn	Pstat	Static pressure chimney	O2 chimney	Våg	Flue gas temp	Ambient	Flue gas at pitot	filter temp 1	filter temp 2	gas meter temp 1	gas meter temp 2	gasmeter temp ambient	
Minuter	VDC	VDC	VDC	VDC	VDC	VDC	VDC	°C	°C	°C	°C	°C	°C	°C	°C	°C
48,500	0,231	0,556	1,307	0,125	0,014	0,687	1,160	73,605	20,069	23,522	21,003	27,958	20,381	20,161	20,433	20,108
48,834	0,231	0,557	1,309	0,124	0,016	0,546	1,160	73,761	20,078	23,628	22,980	27,201	20,377	20,163	20,426	20,108
49,167	0,214	0,586	1,305	0,125	0,015	0,358	1,159	73,836	20,122	23,586	27,122	30,215	20,380	20,154	20,432	20,110
49,500	0,214	0,596	1,313	0,124	0,014	0,344	1,159	73,725	20,106	23,306	28,270	29,700	20,388	20,150	20,420	20,109
49,834	0,219	0,614	1,318	0,125	0,019	0,335	1,158	73,656	20,032	23,210	23,461	26,329	20,391	20,160	20,432	20,118
50,167	0,221	0,601	1,303	0,124	0,011	0,349	1,158	73,598	20,098	23,172	48,590	24,317	20,389	20,163	20,433	20,119
50,500	0,221	0,600	1,308	0,126	0,017	0,349	1,158	73,507	20,108	23,139	30,799	31,681	20,392	20,156	20,430	20,119
50,833	0,220	0,605	1,319	0,125	0,015	0,344	1,158	73,483	20,151	23,166	32,853	27,623	20,388	20,160	20,444	20,125
51,167	0,218	0,610	1,308	0,124	0,015	0,338	1,157	73,442	20,063	23,136	27,836	26,432	20,386	20,169	20,444	20,123
51,500	0,217	0,624	1,308	0,125	0,015	0,327	1,157	73,395	20,015	23,119	29,674	28,560	20,389	20,175	20,454	20,131
51,833	0,217	0,631	1,305	0,125	0,015	0,321	1,157	73,335	20,009	23,144	26,778	27,783	20,393	20,170	20,448	20,127
52,167	0,218	0,631	1,309	0,124	0,013	0,321	1,156	73,277	19,997	23,136	27,963	29,781	20,392	20,163	20,458	20,131
52,500	0,217	0,639	1,307	0,125	0,014	0,314	1,156	73,289	19,912	23,104	28,474	26,451	20,393	20,170	20,463	20,134
52,833	0,217	0,642	1,301	0,124	0,016	0,310	1,156	73,271	19,968	23,129	27,238	27,414	20,392	20,174	20,455	20,133
53,167	0,215	0,642	1,312	0,123	0,016	0,311	1,155	73,267	19,995	23,168	29,266	27,822	20,391	20,161	20,464	20,135
53,500	0,214	0,646	1,305	0,124	0,014	0,307	1,156	73,248	19,989	23,174	27,162	27,818	20,383	20,169	20,460	20,135
53,833	0,214	0,658	1,302	0,124	0,013	0,296	1,155	73,226	19,985	23,169	29,628	31,613	20,392	20,172	20,470	20,143
54,167	0,215	0,671	2,089	0,123	0,013	0,283	1,155	73,236	19,926	23,159	28,333	26,084	20,390	20,177	20,463	20,140
54,500	0,212	0,685	0,501	0,026	0,010	0,273	1,155	73,211	19,860	23,184	27,700	30,707	20,400	20,176	20,470	20,146
54,833	0,211	0,696	0,061	0,008	0,013	0,263	1,154	73,186	19,861	23,214	26,496	29,259	20,384	20,169	20,472	20,149
55,167	0,212	0,700	0,036	0,053	0,009	0,260	1,155	73,182	19,814	23,184	27,257	29,388	20,386	20,172	20,479	20,147
55,500	0,212	0,700	2,215	0,115	0,020	0,261	1,155	73,198	19,745	23,217	22,895	24,978	20,389	20,178	20,479	20,149
55,834	0,212	0,715	2,659	0,120	0,020	0,247	1,154	73,212	19,709	23,226	23,823	26,080	20,384	20,175	20,485	20,149
56,167	0,212	0,734	2,713	0,122	0,018	0,231	1,153	73,187	19,706	23,238	30,759	28,221	20,393	20,174	20,483	20,149
56,500	0,211	0,740	2,725	0,121	0,015	0,225	1,153	73,194	19,733	23,257	28,148	28,491	20,387	20,181	20,491	20,155
56,834	0,211	0,743	2,260	0,121	0,017	0,224	1,152	73,146	19,765	23,284	29,943	34,125	20,380	20,169	20,476	20,148
57,167	0,212	0,743	1,419	0,119	0,012	0,224	1,153	73,188	19,811	23,303	28,479	27,378	20,377	20,170	20,488	20,151
57,500	0,212	0,747	1,346	0,120	0,012	0,221	1,153	73,357	19,838	23,527	29,312	30,751	20,378	20,179	20,493	20,153
57,833	0,208	0,730	1,320	0,120	0,013	0,236	1,153	73,323	19,842	23,438	24,069	24,476	20,374	20,177	20,502	20,155
58,167	0,212	0,750	1,312	0,120	0,013	0,214	1,151	73,310	19,867	23,345	26,410	27,082	20,385	20,173	20,499	20,157
58,500	0,212	0,747	1,307	0,121	0,015	0,221	1,152	73,305	19,923	23,274	29,464	30,749	20,382	20,175	20,508	20,160
58,833	0,213	0,732	1,306	0,121	0,013	0,234	1,152	73,296	19,923	23,232	37,026	27,449	20,384	20,180	20,513	20,161
59,167	0,214	0,735	1,316	0,121	0,014	0,231	1,150	73,296	19,897	23,224	20,724	25,446	20,380	20,188	20,511	20,161
59,500	0,214	0,733	1,314	0,122	0,017	0,235	1,150	73,282	19,822	23,172	10,494	13,194	20,387	20,186	20,512	20,167
59,833	0,212	0,726	1,315	0,122	0,013	0,239	1,150	73,247	19,900	23,165	12,342	13,161	20,381	20,185	20,515	20,169
60,167	0,212	0,729	1,312	0,121	0,015	0,235	1,150	73,253	19,911	23,164	20,229	22,706	20,376	20,174	20,505	20,167
60,500	0,212	0,722	1,315	0,123	0,015	0,243	1,149	73,236	19,716	23,172	22,718	25,351	20,377	20,172	20,513	20,167

Pellematic 56_cat II_run 1_191211.Dat

Category: II

	1102	1103	1108	1109	130	230	101	102	1	2	3	6	7	8	11	
Mättid	T4 outlet load side	T3 inlet load side	T2 inlet boiler	T1 outlet boiler	Flow load side	Flow boiler side	Heat output load side	Heat output boiler	CO chimney	CO2 chimney	O2 chimney	Pstat	Pdyn	Tunnel velocity	Våg	Tidpunkt
Minuter	°C	°C	°C	°C	m³/h	m³/h	W	W	ppm	%	%	Pa	Pa	m/s	kg	Klockan
48,500	63,012	44,121	52,164	71,283	0,503	0,507	10941,663	11115,380	80,474	8,902	20,607	4,990	52,235	9,330	947,478	2019-12-11 11:40
48,834	62,957	44,100	52,126	71,203	0,502	0,506	10895,984	11079,871	80,556	8,929	16,370	4,944	52,521	9,356	947,478	2019-12-11 11:40
49,167	63,071	44,088	52,090	71,133	0,503	0,507	10978,679	11070,952	38,085	9,686	10,750	5,000	52,268	9,333	947,477	2019-12-11 11:41
49,500	63,311	44,064	52,067	71,090	0,503	0,507	11132,174	11056,523	38,418	10,036	10,318	4,963	52,480	9,352	947,349	2019-12-11 11:41
49,834	63,192	44,046	51,931	71,071	0,503	0,507	11077,834	11126,426	55,039	10,309	10,052	4,995	52,831	9,384	947,349	2019-12-11 11:41
50,167	63,125	44,023	51,795	71,060	0,503	0,507	11046,208	11210,292	55,798	9,979	10,458	4,963	52,269	9,334	947,349	2019-12-11 11:42
50,500	63,086	44,012	51,722	71,032	0,503	0,505	11030,991	11200,876	55,472	10,036	10,462	5,037	52,268	9,333	947,349	2019-12-11 11:42
50,833	63,073	43,999	51,668	71,032	0,502	0,506	11024,410	11235,469	52,219	10,148	10,308	5,004	52,712	9,373	947,349	2019-12-11 11:42
51,167	63,418	43,994	51,625	71,033	0,503	0,506	11244,278	11259,388	47,711	10,298	10,153	4,955	52,489	9,353	947,254	2019-12-11 11:43
51,500	63,309	43,991	51,503	71,014	0,503	0,505	11176,056	11305,912	44,391	10,700	9,803	5,014	52,384	9,344	947,255	2019-12-11 11:43
51,833	63,265	43,993	51,388	71,012	0,503	0,506	11150,906	11385,524	45,985	10,769	9,633	5,008	52,310	9,337	947,255	2019-12-11 11:43
52,167	63,252	43,996	51,333	70,977	0,503	0,505	11143,346	11393,755	47,911	10,797	9,617	4,950	52,669	9,369	947,255	2019-12-11 11:44
52,500	63,236	44,009	51,307	70,987	0,503	0,506	11121,852	11418,258	46,066	10,999	9,428	4,995	51,869	9,298	947,254	2019-12-11 11:44
52,833	63,233	44,023	51,293	71,010	0,503	0,506	11111,882	11447,942	44,562	11,040	9,312	4,973	52,163	9,324	947,255	2019-12-11 11:44
53,167	63,238	44,035	51,291	70,984	0,503	0,505	11115,328	11425,262	39,271	11,049	9,320	4,933	52,559	9,359	947,160	2019-12-11 11:45
53,500	63,228	44,042	51,295	70,959	0,503	0,504	11101,721	11384,414	38,249	11,247	9,196	4,942	52,082	9,317	947,255	2019-12-11 11:45
53,833	63,225	44,054	51,289	70,951	0,502	0,506	11078,274	11412,387	38,098	11,519	8,885	4,942	51,978	9,308	947,161	2019-12-11 11:45
54,167	63,225	44,067	51,300	70,942	0,503	0,505	11083,641	11375,491	37,528	11,897	8,503	4,928	97,048	12,718	947,255	2019-12-11 11:46
54,500	63,217	44,078	51,303	70,953	0,503	0,505	11074,427	11399,054	31,273	12,208	8,189	1,044	9,531	3,986	947,161	2019-12-11 11:46
54,833	63,243	44,080	51,307	70,914	0,503	0,506	11088,429	11392,193	30,447	12,475	7,894	0,340	1,468	1,564	947,161	2019-12-11 11:46
55,167	63,264	44,084	51,313	70,945	0,502	0,505	11081,576	11369,787	32,968	12,507	7,813	2,129	2,023	1,836	947,160	2019-12-11 11:47
55,500	63,253	44,084	51,305	70,936	0,503	0,506	11095,389	11410,608	33,677	12,557	7,816	4,582	99,164	12,856	947,161	2019-12-11 11:47
55,834	63,244	44,085	51,301	70,899	0,503	0,506	11087,603	11392,935	33,471	13,009	7,418	4,789	107,279	13,372	947,160	2019-12-11 11:47
56,167	63,246	44,086	51,298	70,922	0,503	0,505	11092,418	11376,723	33,727	13,407	6,935	4,879	108,784	13,465	947,067	2019-12-11 11:48
56,500	63,239	44,085	51,289	70,947	0,503	0,506	11084,741	11423,458	31,117	13,557	6,763	4,824	109,135	13,487	947,066	2019-12-11 11:48
56,834	63,239	44,078	51,288	70,979	0,503	0,505	11085,863	11416,929	32,130	13,537	6,733	4,829	71,999	10,954	947,066	2019-12-11 11:48
57,167	63,244	44,076	51,289	70,961	0,503	0,505	11100,583	11406,341	32,875	13,592	6,730	4,764	55,002	9,574	947,067	2019-12-11 11:49
57,500	63,237	44,074	51,283	70,975	0,503	0,505	11092,741	11418,552	33,887	13,704	6,632	4,804	53,727	9,463	947,066	2019-12-11 11:49
57,833	63,425	44,076	51,277	70,988	0,503	0,505	11190,133	11425,411	21,491	13,105	7,070	4,806	53,083	9,406	947,067	2019-12-11 11:49
58,167	63,609	44,071	51,265	71,068	0,503	0,505	11304,041	11486,953	34,906	13,908	6,415	4,791	52,387	9,344	946,848	2019-12-11 11:50
58,500	63,556	44,074	51,187	71,050	0,503	0,505	11267,901	11510,023	35,318	13,564	6,641	4,840	52,443	9,349	946,974	2019-12-11 11:50
58,833	63,537	44,077	51,116	71,087	0,503	0,505	11255,528	11584,813	36,490	13,270	7,028	4,852	51,935	9,304	946,974	2019-12-11 11:50
59,167	63,464	44,076	51,082	71,156	0,503	0,504	11213,091	11623,063	38,750	13,422	6,932	4,843	52,691	9,371	946,849	2019-12-11 11:51
59,500	63,527	44,084	51,094	71,201	0,503	0,505	11246,674	11661,248	35,909	13,260	7,043	4,891	52,565	9,360	946,848	2019-12-11 11:51
59,833	63,555	44,088	51,128	71,254	0,503	0,505	11268,440	11673,606	33,388	13,174	7,170	4,873	52,589	9,362	946,848	2019-12-11 11:51
60,167	63,192	44,087	51,152	71,278	0,503	0,506	11052,625	11678,866	34,394	13,207	7,065	4,848	52,451	9,350	946,848	2019-12-11 11:52
60,500	63,289	44,088	51,211	71,336	0,503	0,505	11109,165	11665,096	32,654	12,936	7,301	4,920	52,813	9,382	946,767	2019-12-11 11:52

Pellematic 56_cat II_run 1_191211.Dat

Category: II

	301	302	304	305	306	308	317	1311	1312	1313	1314	1315	1316	1317	1318	1101
Mättid	CO chimney	CO2 chimney	Pdyn	Pstat	Static pressure chimney	O2 chimney	Våg	Flue gas temp	Ambient	Flue gas at pitot	filter temp 1	filter temp 2	gas meter temp 1	gas meter temp 2	gasmeter temp ambient	
Minuter	VDC	VDC	VDC	VDC	VDC	VDC	VDC	°C	°C	°C	°C	°C	°C	°C	°C	°C
60,833	0,211	0,713	1,309	0,122	0,021	0,251	1,148	73,224	19,759	23,180	23,242	24,137	20,378	20,179	20,518	20,167
61,167	0,211	0,709	1,313	0,121	0,018	0,254	1,148	73,232	19,845	23,186	27,835	27,015	20,391	20,189	20,530	20,175
61,500	0,212	0,704	1,313	0,122	0,013	0,259	1,148	73,222	19,869	23,164	28,376	30,293	20,379	20,181	20,528	20,171
61,833	0,213	0,700	1,323	0,121	0,019	0,261	1,147	73,243	19,883	23,227	26,071	26,646	20,386	20,187	20,527	20,174
62,167	0,212	0,706	1,313	0,120	0,015	0,255	1,147	73,215	19,884	23,277	26,055	27,757	20,381	20,187	20,524	20,178
62,500	0,212	0,714	1,319	0,121	0,013	0,249	1,147	73,253	19,868	23,242	28,192	29,101	20,391	20,197	20,536	20,187
62,834	0,213	0,719	1,307	0,122	0,022	0,245	1,147	73,235	19,800	23,238	27,606	26,045	20,379	20,188	20,529	20,179
63,167	0,213	0,716	1,315	0,121	0,008	0,249	1,147	73,225	19,772	23,216	31,838	31,109	20,374	20,193	20,528	20,179
63,500	0,211	0,708	1,321	0,122	0,019	0,255	1,146	73,221	19,764	23,199	28,826	28,611	20,383	20,192	20,532	20,177
63,834	0,211	0,706	1,313	0,121	0,018	0,256	1,146	73,229	19,775	23,218	26,029	27,295	20,374	20,193	20,532	20,179
64,167	0,212	0,707	1,319	0,121	0,013	0,257	1,145	73,220	19,783	23,188	29,205	29,573	20,385	20,192	20,531	20,183
64,500	0,212	0,707	1,318	0,123	0,012	0,255	1,146	73,209	19,781	23,156	27,726	28,143	20,381	20,201	20,538	20,184
64,833	0,210	0,704	1,319	0,120	0,019	0,259	1,145	73,232	19,783	23,180	27,226	25,366	20,383	20,198	20,546	20,185
65,167	0,210	0,699	1,319	0,121	0,013	0,263	1,146	73,254	19,770	23,164	26,860	30,993	20,382	20,187	20,537	20,185
65,500	0,211	0,693	1,306	0,123	0,013	0,269	1,144	73,200	19,752	23,193	27,070	27,761	20,391	20,209	20,544	20,189
65,833	0,211	0,683	1,316	0,120	0,017	0,278	1,144	73,196	19,783	23,196	29,553	28,499	20,372	20,203	20,545	20,185
66,167	0,211	0,670	1,311	0,121	0,016	0,288	1,144	73,155	19,751	23,177	25,344	29,740	20,379	20,198	20,546	20,192
66,500	0,212	0,660	1,317	0,120	0,020	0,296	1,144	73,172	19,659	23,201	25,978	25,548	20,384	20,203	20,557	20,190
66,833	0,213	0,663	1,310	0,123	0,015	0,292	1,144	73,194	19,665	23,163	25,412	28,571	20,378	20,199	20,559	20,190
67,167	0,213	0,668	1,309	0,122	0,012	0,288	1,143	73,210	19,618	23,171	25,577	27,148	20,379	20,213	20,555	20,192
67,500	0,212	0,665	1,313	0,121	0,015	0,291	1,142	73,232	19,635	23,123	25,049	27,379	20,367	20,203	20,563	20,191
67,833	0,212	0,670	1,299	0,122	0,021	0,286	1,143	73,241	19,618	23,135	25,123	25,602	20,375	20,209	20,566	20,194
68,167	0,212	0,676	1,308	0,123	0,014	0,282	1,144	73,217	19,515	23,133	28,680	31,142	20,367	20,199	20,553	20,188
68,500	0,212	0,672	1,303	0,122	0,013	0,285	1,142	73,234	19,552	23,100	28,433	27,103	20,365	20,200	20,568	20,191
68,834	0,212	0,673	1,311	0,122	0,019	0,285	1,142	73,225	19,509	23,110	23,605	28,759	20,379	20,210	20,557	20,193
69,167	0,212	0,669	1,315	0,121	0,018	0,289	1,142	73,237	19,503	23,096	23,278	25,774	20,365	20,206	20,563	20,188
69,500	0,213	0,662	1,307	0,122	0,020	0,295	1,140	73,263	19,455	23,132	24,729	26,790	20,369	20,201	20,568	20,188
69,834	0,214	0,660	1,302	0,122	0,010	0,296	1,140	73,302	19,484	23,166	23,634	27,647	20,365	20,209	20,565	20,192
70,167	0,213	0,668	1,312	0,121	0,020	0,288	1,140	73,312	19,468	23,147	26,074	25,792	20,371	20,209	20,573	20,188
70,500	0,214	0,681	1,307	0,122	0,012	0,278	1,140	73,316	19,480	23,150	30,531	30,315	20,360	20,202	20,565	20,188
70,834	0,215	0,685	1,308	0,122	0,014	0,275	1,140	73,319	19,488	23,123	29,423	30,353	20,361	20,206	20,570	20,188
71,167	0,215	0,681	1,311	0,122	0,011	0,279	1,139	73,338	19,523	23,140	30,591	29,690	20,359	20,207	20,570	20,188
71,500	0,215	0,678	1,305	0,123	0,011	0,281	1,139	73,313	19,533	23,117	26,858	30,230	20,359	20,219	20,576	20,185
71,833	0,215	0,678	1,322	0,122	0,015	0,281	1,139	73,350	19,570	23,140	27,488	27,493	20,354	20,213	20,570	20,187
72,167	0,215	0,679	1,312	0,121	0,013	0,279	1,139	73,357	19,545	23,146	25,896	27,986	20,354	20,211	20,576	20,186
72,500	0,213	0,675	1,321	0,121	0,015	0,284	1,139	73,354	19,556	23,121	25,099	28,706	20,344	20,205	20,572	20,183
72,833	0,212	0,664	1,315	0,120	0,019	0,293	1,138	73,389	19,589	23,167	26,067	27,559	20,348	20,209	20,568	20,183

Pellematic 56_cat II_run 1_191211.Dat

Category: II

	1102	1103	1108	1109	130	230	101	102	1	2	3	6	7	8	11	
Mättid	T4 outlet load side	T3 inlet load side	T2 inlet boiler	T1 outlet boiler	Flow load side	Flow boiler side	Heat output load side	Heat output boiler	CO chimney	CO2 chimney	O2 chimney	Pstat	Pdyn	Tunnel velocity	Våg	Tidpunkt
Minuter	°C	°C	°C	°C	m³/h	m³/h	W	W	ppm	%	%	Pa	Pa	m/s	kg	Klockan
60,833	63,347	44,082	51,331	71,414	0,502	0,505	11136,333	11645,420	30,362	12,788	7,526	4,864	52,283	9,335	946,754	2019-12-11 11:52
61,167	63,405	44,064	51,402	71,427	0,503	0,505	11196,120	11608,058	30,781	12,695	7,631	4,825	52,628	9,366	946,754	2019-12-11 11:53
61,500	63,435	44,036	51,438	71,510	0,503	0,506	11223,058	11653,063	33,042	12,547	7,777	4,891	52,546	9,358	946,754	2019-12-11 11:53
61,833	63,458	44,003	51,456	71,582	0,503	0,505	11250,385	11668,530	35,877	12,517	7,839	4,856	52,998	9,398	946,660	2019-12-11 11:53
62,167	63,039	43,965	51,470	71,613	0,502	0,505	11024,346	11682,110	33,063	12,710	7,647	4,802	52,152	9,323	946,660	2019-12-11 11:54
62,500	63,165	43,940	51,530	71,633	0,502	0,506	11112,626	11663,214	34,562	12,915	7,481	4,843	53,034	9,402	946,660	2019-12-11 11:54
62,834	63,227	43,912	51,639	71,681	0,503	0,505	11181,975	11622,720	36,470	12,984	7,351	4,877	52,330	9,339	946,720	2019-12-11 11:54
63,167	63,248	43,896	51,700	71,747	0,503	0,504	11202,384	11602,819	33,981	12,835	7,456	4,856	52,494	9,354	946,660	2019-12-11 11:55
63,500	63,274	43,898	51,701	71,773	0,502	0,505	11202,066	11635,314	30,959	12,680	7,645	4,890	52,989	9,398	946,567	2019-12-11 11:55
63,834	63,310	43,896	51,720	71,796	0,502	0,505	11226,190	11641,102	32,465	12,686	7,694	4,824	52,715	9,373	946,567	2019-12-11 11:55
64,167	63,346	43,905	51,736	71,880	0,503	0,506	11242,422	11687,619	32,293	12,640	7,712	4,836	52,417	9,347	946,566	2019-12-11 11:56
64,500	63,372	43,916	51,758	71,906	0,502	0,505	11241,065	11684,099	31,520	12,676	7,661	4,917	52,435	9,348	946,567	2019-12-11 11:56
64,833	63,415	43,929	51,779	71,976	0,502	0,505	11265,589	11701,604	27,757	12,564	7,779	4,804	53,037	9,402	946,567	2019-12-11 11:56
65,167	63,440	43,959	51,791	71,982	0,503	0,505	11271,442	11698,247	28,110	12,446	7,901	4,821	52,684	9,370	946,660	2019-12-11 11:57
65,500	63,486	43,995	51,808	72,032	0,503	0,505	11271,707	11726,077	32,539	12,272	8,065	4,923	52,231	9,330	946,474	2019-12-11 11:57
65,833	63,519	44,032	51,836	72,077	0,503	0,504	11278,119	11709,373	31,117	11,979	8,331	4,810	52,655	9,368	946,475	2019-12-11 11:57
66,167	63,549	44,065	51,854	72,142	0,504	0,504	11292,056	11742,607	30,942	11,644	8,652	4,838	52,653	9,368	946,475	2019-12-11 11:58
66,500	63,342	44,097	51,874	72,152	0,503	0,505	11141,594	11746,048	35,270	11,469	8,881	4,819	52,525	9,356	946,474	2019-12-11 11:58
66,833	63,227	44,115	51,936	72,187	0,503	0,506	11065,039	11749,751	36,077	11,612	8,767	4,905	52,424	9,347	946,475	2019-12-11 11:58
67,167	63,319	44,121	52,106	72,291	0,504	0,505	11125,986	11692,461	34,407	11,700	8,638	4,865	52,103	9,319	946,349	2019-12-11 11:59
67,500	63,362	44,118	52,220	72,256	0,503	0,505	11134,008	11601,139	32,814	11,627	8,722	4,856	52,019	9,311	946,349	2019-12-11 11:59
67,833	63,401	44,101	52,282	72,347	0,503	0,506	11161,544	11643,535	33,733	11,820	8,568	4,873	51,713	9,284	946,475	2019-12-11 11:59
68,167	63,433	44,089	52,327	72,386	0,502	0,505	11181,774	11624,906	34,312	11,887	8,448	4,918	52,327	9,339	946,475	2019-12-11 12:00
68,500	63,471	44,064	52,357	72,408	0,503	0,505	11233,168	11623,430	33,143	11,786	8,561	4,889	52,111	9,319	946,349	2019-12-11 12:00
68,834	63,020	44,052	52,368	72,441	0,503	0,505	10976,948	11623,721	34,393	11,844	8,556	4,878	52,558	9,359	946,349	2019-12-11 12:00
69,167	63,114	44,036	52,456	72,497	0,503	0,505	11048,214	11616,371	33,470	11,663	8,658	4,842	52,660	9,368	946,349	2019-12-11 12:01
69,500	63,163	44,019	52,581	72,533	0,503	0,506	11079,440	11570,733	36,805	11,518	8,835	4,896	52,207	9,328	946,255	2019-12-11 12:01
69,834	63,198	44,013	52,633	72,505	0,503	0,506	11100,849	11524,597	36,664	11,497	8,880	4,887	52,307	9,337	946,255	2019-12-11 12:01
70,167	63,225	44,007	52,670	72,570	0,502	0,506	11110,997	11545,567	36,238	11,780	8,643	4,840	52,415	9,347	946,300	2019-12-11 12:02
70,500	63,241	44,002	52,700	72,581	0,503	0,505	11133,231	11513,941	40,511	12,089	8,326	4,867	52,176	9,325	946,255	2019-12-11 12:02
70,834	63,272	44,001	52,697	72,635	0,503	0,505	11158,513	11550,421	39,681	12,101	8,252	4,890	52,450	9,350	946,255	2019-12-11 12:02
71,167	63,282	44,007	52,707	72,636	0,504	0,506	11167,661	11562,826	40,088	11,993	8,356	4,899	52,437	9,348	946,160	2019-12-11 12:03
71,500	63,306	44,014	52,721	72,673	0,503	0,506	11160,112	11590,173	39,924	11,947	8,418	4,907	52,282	9,335	946,161	2019-12-11 12:03
71,833	63,330	44,023	52,747	72,703	0,503	0,505	11170,374	11572,210	42,626	11,962	8,416	4,866	52,989	9,398	946,160	2019-12-11 12:03
72,167	63,351	44,030	52,765	72,755	0,503	0,505	11177,892	11580,514	40,775	11,962	8,356	4,823	52,486	9,353	946,161	2019-12-11 12:04
72,500	63,376	44,042	52,767	72,792	0,503	0,504	11181,029	11588,490	34,983	11,812	8,508	4,848	53,233	9,419	946,161	2019-12-11 12:04
72,833	63,398	44,055	52,768	72,840	0,503	0,504	11190,430	11611,635	34,391	11,523	8,793	4,802	52,496	9,354	946,067	2019-12-11 12:04

Pellematic 56_cat II_run 1_191211.Dat

Category: II

	301	302	304	305	306	308	317	1311	1312	1313	1314	1315	1316	1317	1318	1101
Mättid	CO chimney	CO2 chimney	Pdyn	Pstat	Static pressure chimney	O2 chimney	Våg	Flue gas temp	Ambient	Flue gas at pitot	filter temp 1	filter temp 2	gas meter temp 1	gas meter temp 2	gasmeter temp ambient	
Minuter	VDC	VDC	VDC	VDC	VDC	VDC	VDC	°C	°C	°C	°C	°C	°C	°C	°C	°C
73,167	0,211	0,657	1,310	0,121	0,016	0,298	1,138	73,376	19,544	23,214	26,227	30,027	20,346	20,209	20,579	20,185
73,500	0,211	0,657	1,323	0,124	0,014	0,298	1,137	73,389	19,491	23,167	27,309	25,225	20,350	20,211	20,573	20,184
73,833	0,213	0,653	1,318	0,122	0,007	0,301	1,137	73,399	19,566	23,145	27,739	30,729	20,338	20,213	20,581	20,181
74,167	0,213	0,651	1,322	0,121	0,017	0,303	1,137	73,380	19,577	23,089	25,976	27,572	20,344	20,213	20,581	20,181
74,500	0,214	0,649	1,311	0,122	0,016	0,306	1,137	73,400	19,626	23,101	25,665	28,186	20,345	20,205	20,578	20,182
74,833	0,214	0,645	1,319	0,122	0,012	0,308	1,136	73,410	19,472	23,172	24,169	25,666	20,333	20,210	20,583	20,180
75,167	0,215	0,654	1,312	0,122	0,019	0,300	1,136	73,411	19,510	23,182	24,042	25,208	20,342	20,206	20,577	20,180
75,500	0,215	0,660	1,312	0,123	0,009	0,296	1,136	73,382	19,557	23,216	29,800	28,773	20,336	20,208	20,573	20,178
75,834	0,216	0,659	1,333	0,122	0,016	0,296	1,136	73,424	19,599	23,199	26,745	28,297	20,341	20,205	20,579	20,177
76,167	0,217	0,664	1,318	0,124	0,010	0,291	1,136	73,438	19,519	23,120	28,518	28,043	20,340	20,214	20,588	20,178
76,500	0,216	0,661	1,313	0,124	0,014	0,295	1,136	73,386	19,557	23,038	28,200	29,400	20,349	20,214	20,587	20,181
76,834	0,219	0,656	1,300	0,123	0,012	0,300	1,136	73,367	19,554	23,034	26,565	30,408	20,336	20,208	20,576	20,179
77,167	0,221	0,648	1,311	0,122	0,018	0,307	1,134	73,366	19,537	23,150	26,200	25,970	20,329	20,214	20,582	20,177
77,500	0,216	0,640	1,309	0,123	0,013	0,314	1,135	73,392	19,613	23,215	25,085	29,217	20,330	20,215	20,584	20,175
77,834	0,214	0,643	1,300	0,121	0,011	0,310	1,134	73,426	19,641	23,231	27,341	27,303	20,329	20,210	20,582	20,175
78,167	0,214	0,643	1,310	0,123	0,014	0,310	1,134	73,442	19,634	23,240	28,035	28,881	20,333	20,216	20,584	20,175
78,500	0,214	0,644	1,316	0,123	0,017	0,310	1,135	73,465	19,644	23,204	24,976	27,196	20,335	20,202	20,586	20,173
78,833	0,213	0,643	1,324	0,124	0,013	0,310	1,134	73,457	19,622	23,239	28,301	30,586	20,329	20,214	20,580	20,173
79,167	0,212	0,642	1,318	0,122	0,009	0,311	1,133	73,480	19,588	23,236	28,721	26,785	20,327	20,220	20,595	20,175
79,500	0,211	0,642	1,318	0,121	0,013	0,311	1,132	73,484	19,604	23,252	27,468	30,063	20,326	20,229	20,581	20,175
79,833	0,211	0,640	1,321	0,123	0,015	0,313	1,132	73,497	19,613	23,268	29,181	29,864	20,330	20,216	20,590	20,175
80,167	0,211	0,637	1,311	0,123	0,015	0,316	1,132	73,534	19,603	23,251	28,601	27,038	20,336	20,217	20,577	20,172
80,500	0,211	0,644	1,308	0,123	0,012	0,309	1,132	73,587	19,623	23,235	26,261	29,236	20,320	20,226	20,587	20,173
80,833	0,210	0,648	1,306	0,125	0,015	0,307	1,131	73,608	19,624	23,277	27,447	28,844	20,328	20,219	20,590	20,171
81,167	0,211	0,647	1,310	0,123	0,012	0,308	1,131	73,622	19,646	23,275	27,038	26,557	20,331	20,229	20,594	20,172
81,500	0,211	0,649	1,316	0,123	0,013	0,305	1,131	73,635	19,631	23,269	28,518	29,435	20,326	20,219	20,598	20,169
81,833	0,210	0,645	1,315	0,123	0,016	0,309	1,131	73,630	19,630	23,297	25,104	28,132	20,328	20,227	20,582	20,173
82,167	0,210	0,646	1,310	0,124	0,013	0,308	1,131	73,650	19,560	23,282	26,514	29,451	20,321	20,221	20,595	20,170
82,500	0,211	0,647	1,303	0,124	0,013	0,307	1,130	73,666	19,590	23,286	25,380	26,896	20,327	20,217	20,595	20,169
82,834	0,212	0,646	1,307	0,123	0,017	0,307	1,129	73,710	19,533	23,265	26,304	29,482	20,321	20,228	20,593	20,168
83,167	0,212	0,646	1,312	0,124	0,017	0,307	1,130	73,715	19,579	23,273	25,246	27,440	20,331	20,227	20,602	20,171
83,500	0,212	0,651	1,313	0,123	0,014	0,303	1,129	73,732	19,521	23,268	28,340	29,392	20,328	20,230	20,593	20,175
83,834	0,213	0,653	1,313	0,123	0,016	0,302	1,129	73,749	19,508	23,284	24,795	28,529	20,326	20,226	20,598	20,166
84,167	0,213	0,650	1,308	0,123	0,015	0,305	1,129	73,755	19,528	23,275	26,347	26,354	20,327	20,219	20,602	20,167
84,500	0,213	0,647	1,301	0,124	0,013	0,307	1,128	73,773	19,523	23,256	25,833	27,729	20,327	20,235	20,600	20,172
84,833	0,214	0,645	1,309	0,124	0,010	0,308	1,128	73,779	19,468	23,261	28,121	30,505	20,310	20,238	20,600	20,163
85,167	0,212	0,641	1,311	0,124	0,012	0,312	1,128	73,841	19,515	23,271	29,133	29,468	20,315	20,232	20,605	20,169

Pellematic 56_cat II_run 1_191211.Dat

Category: II

	1102	1103	1108	1109	130	230	101	102	1	2	3	6	7	8	11	
Mättid	T4 outlet load side	T3 inlet load side	T2 inlet boiler	T1 outlet boiler	Flow load side	Flow boiler side	Heat output load side	Heat output boiler	CO chimney	CO2 chimney	O2 chimney	Pstat	Pdyn	Tunnel velocity	Våg	Tidpunkt
Minuter	°C	°C	°C	°C	m³/h	m³/h	W	W	ppm	%	%	Pa	Pa	m/s	kg	Klockan
73,167	63,424	44,068	52,784	72,884	0,503	0,506	11204,281	11656,307	30,532	11,418	8,940	4,858	52,227	9,330	946,067	2019-12-11 12:05
73,500	63,473	44,088	52,806	72,927	0,502	0,505	11202,358	11666,291	33,045	11,412	8,948	4,945	52,911	9,391	946,067	2019-12-11 12:05
73,833	63,486	44,109	52,848	72,959	0,503	0,505	11207,497	11643,188	35,735	11,313	9,031	4,877	52,844	9,385	946,067	2019-12-11 12:05
74,167	63,515	44,129	52,863	73,033	0,503	0,504	11214,381	11670,376	36,989	11,285	9,101	4,855	52,697	9,372	946,067	2019-12-11 12:06
74,500	63,547	44,150	52,879	73,017	0,502	0,505	11213,746	11660,627	38,508	11,186	9,177	4,867	52,342	9,340	946,066	2019-12-11 12:06
74,833	63,076	44,167	52,900	73,043	0,503	0,505	10943,601	11663,737	38,668	11,162	9,235	4,876	52,797	9,381	945,974	2019-12-11 12:06
75,167	63,184	44,184	53,004	73,060	0,503	0,505	10993,321	11625,912	40,016	11,401	9,002	4,885	52,617	9,365	945,974	2019-12-11 12:07
75,500	63,247	44,196	53,169	73,093	0,503	0,505	11030,586	11535,345	39,693	11,513	8,873	4,919	52,566	9,360	945,975	2019-12-11 12:07
75,834	63,287	44,206	53,252	73,106	0,503	0,505	11039,636	11489,758	43,632	11,501	8,893	4,890	53,553	9,447	945,975	2019-12-11 12:07
76,167	63,313	44,219	53,311	73,138	0,502	0,506	11033,937	11502,659	45,055	11,660	8,726	4,955	52,373	9,343	945,975	2019-12-11 12:08
76,500	63,344	44,226	53,361	73,190	0,502	0,505	11043,614	11485,973	41,358	11,464	8,847	4,942	52,187	9,326	945,974	2019-12-11 12:08
76,834	63,376	44,242	53,386	73,192	0,503	0,505	11064,712	11462,898	54,208	11,388	8,991	4,921	52,024	9,312	945,975	2019-12-11 12:08
77,167	63,392	44,246	53,401	73,233	0,503	0,505	11074,091	11480,305	54,224	11,149	9,223	4,870	52,620	9,365	945,849	2019-12-11 12:09
77,500	63,404	44,243	53,417	73,272	0,502	0,505	11066,485	11500,948	40,272	11,007	9,407	4,929	52,395	9,345	945,974	2019-12-11 12:09
77,834	63,431	44,235	53,437	73,274	0,502	0,505	11091,805	11495,984	38,088	11,091	9,305	4,858	51,886	9,299	945,849	2019-12-11 12:09
78,167	63,443	44,214	53,459	73,288	0,502	0,506	11112,589	11499,910	37,737	11,066	9,296	4,908	52,609	9,364	945,849	2019-12-11 12:10
78,500	63,445	44,186	53,474	73,289	0,502	0,505	11135,107	11472,228	36,407	11,082	9,291	4,919	52,618	9,365	945,849	2019-12-11 12:10
78,833	63,207	44,160	53,477	73,333	0,503	0,505	11019,115	11498,416	36,158	11,052	9,307	4,951	53,186	9,415	945,849	2019-12-11 12:10
79,167	62,971	44,138	53,479	73,352	0,502	0,506	10881,926	11527,205	33,050	11,078	9,343	4,869	52,899	9,390	945,755	2019-12-11 12:11
79,500	63,059	44,119	53,613	73,369	0,503	0,505	10954,415	11442,725	31,622	11,039	9,340	4,855	52,658	9,368	945,755	2019-12-11 12:11
79,833	63,072	44,103	53,721	73,418	0,502	0,505	10962,509	11404,943	31,699	10,955	9,403	4,914	52,623	9,365	945,754	2019-12-11 12:11
80,167	63,085	44,092	53,762	73,382	0,502	0,505	10980,353	11366,708	31,111	10,933	9,470	4,906	52,675	9,370	945,755	2019-12-11 12:12
80,500	63,156	44,092	53,778	73,465	0,502	0,505	11011,994	11399,873	30,453	11,142	9,260	4,930	52,143	9,322	945,755	2019-12-11 12:12
80,833	63,208	44,094	53,791	73,446	0,503	0,505	11055,141	11376,665	28,350	11,187	9,199	4,991	52,350	9,341	945,661	2019-12-11 12:12
81,167	63,213	44,095	53,755	73,483	0,502	0,505	11041,493	11427,908	31,877	11,203	9,230	4,911	52,363	9,342	945,661	2019-12-11 12:13
81,500	63,225	44,101	53,749	73,496	0,502	0,505	11041,515	11424,554	30,297	11,204	9,162	4,921	52,660	9,368	945,661	2019-12-11 12:13
81,833	63,267	44,111	53,750	73,522	0,502	0,506	11063,729	11466,443	28,100	11,117	9,258	4,926	52,527	9,357	945,661	2019-12-11 12:13
82,167	63,294	44,121	53,765	73,554	0,502	0,505	11082,329	11465,298	29,280	11,156	9,228	4,945	52,621	9,365	945,755	2019-12-11 12:14
82,500	63,277	44,131	53,761	73,568	0,503	0,506	11073,482	11488,967	31,203	11,187	9,196	4,940	51,794	9,291	945,567	2019-12-11 12:14
82,834	63,293	44,137	53,779	73,599	0,502	0,505	11070,495	11474,989	32,468	11,151	9,217	4,932	52,200	9,327	945,567	2019-12-11 12:14
83,167	63,295	44,141	53,787	73,635	0,502	0,504	11063,063	11478,111	32,212	11,186	9,214	4,979	52,553	9,359	945,661	2019-12-11 12:15
83,500	63,342	44,141	53,801	73,664	0,502	0,504	11097,212	11487,021	32,635	11,275	9,101	4,906	52,582	9,361	945,661	2019-12-11 12:15
83,834	63,325	44,129	53,800	73,671	0,502	0,502	11093,566	11447,524	38,672	11,329	9,046	4,914	52,700	9,372	945,567	2019-12-11 12:15
84,167	63,352	44,121	53,785	73,680	0,503	0,504	11124,811	11502,190	34,147	11,217	9,135	4,905	52,191	9,327	945,567	2019-12-11 12:16
84,500	63,364	44,111	53,796	73,733	0,502	0,504	11128,887	11514,489	37,083	11,162	9,205	4,967	52,066	9,315	945,475	2019-12-11 12:16
84,833	63,374	44,107	53,800	73,789	0,503	0,504	11142,346	11547,055	37,506	11,110	9,244	4,954	52,404	9,346	945,567	2019-12-11 12:16
85,167	63,406	44,102	53,809	73,806	0,502	0,503	11151,565	11534,477	31,997	10,992	9,371	4,956	52,555	9,359	945,475	2019-12-11 12:17

Pellematic 56_cat II_run 1_191211.Dat

Category: II

	301	302	304	305	306	308	317	1311	1312	1313	1314	1315	1316	1317	1318	1101
Mättid	CO chimney	CO2 chimney	Pdyn	Pstat	Static pressure chimney	O2 chimney	Våg	Flue gas temp	Ambient	Flue gas at pitot	filter temp 1	filter temp 2	gas meter temp 1	gas meter temp 2	gasmeter temp ambient	
Minuter	VDC	VDC	VDC	VDC	VDC	VDC	VDC	°C	°C	°C	°C	°C	°C	°C	°C	°C
85,500	0,210	0,639	1,317	0,123	0,016	0,313	1,128	73,877	19,558	23,256	24,851	28,513	20,323	20,241	20,600	20,166
85,833	0,211	0,646	1,298	0,123	0,010	0,307	1,128	73,885	19,540	23,298	28,033	28,617	20,325	20,234	20,597	20,161
86,167	0,213	0,650	1,296	0,124	0,014	0,304	1,128	73,886	19,574	23,286	27,589	26,696	20,315	20,227	20,596	20,158
86,500	0,213	0,652	1,304	0,123	0,014	0,303	1,126	73,903	19,622	23,293	26,531	29,762	20,311	20,228	20,595	20,157
86,833	0,212	0,653	1,314	0,124	0,012	0,302	1,126	73,914	19,598	23,274	26,509	27,386	20,316	20,237	20,593	20,158
87,167	0,212	0,654	1,303	0,125	0,018	0,301	1,126	73,926	19,667	23,267	27,640	27,994	20,322	20,228	20,609	20,161
87,500	0,213	0,654	1,321	0,124	0,016	0,300	1,126	73,965	19,674	23,277	28,544	28,051	20,299	20,230	20,600	20,159
87,833	0,211	0,661	1,314	0,123	0,014	0,294	1,125	73,994	19,652	23,261	26,176	27,500	20,320	20,235	20,605	20,156
88,167	0,210	0,666	1,313	0,124	0,012	0,290	1,126	73,992	19,649	23,279	27,347	30,019	20,310	20,230	20,581	20,153
88,500	0,210	0,663	1,309	0,123	0,014	0,293	1,125	74,035	19,668	23,284	25,455	27,082	20,314	20,231	20,603	20,156
88,833	0,211	0,670	1,310	0,124	0,012	0,287	1,125	74,037	19,664	23,285	29,602	30,291	20,299	20,241	20,592	20,151
89,167	0,210	0,679	1,309	0,124	0,015	0,279	1,124	74,084	19,592	23,279	25,843	29,605	20,319	20,241	20,604	20,162
89,500	0,210	0,683	1,314	0,124	0,018	0,276	1,124	74,065	19,583	23,278	26,534	27,714	20,316	20,237	20,598	20,157
89,834	0,208	0,676	1,312	0,125	0,010	0,282	1,123	74,092	19,637	23,270	27,702	27,125	20,312	20,235	20,594	20,154
90,167	0,209	0,671	1,313	0,123	0,014	0,287	1,123	74,117	19,718	23,300	28,437	30,523	20,316	20,241	20,601	20,159
90,500	0,209	0,672	1,316	0,124	0,013	0,286	1,123	74,144	19,632	23,293	27,844	27,752	20,313	20,239	20,598	20,155
90,834	0,211	0,673	1,311	0,123	0,009	0,285	1,123	74,142	19,608	23,274	26,193	27,920	20,306	20,233	20,608	20,151
91,167	0,211	0,666	1,305	0,124	0,017	0,293	1,123	74,148	19,570	23,248	26,804	28,668	20,306	20,239	20,602	20,152
91,500	0,210	0,651	1,306	0,124	0,009	0,305	1,123	74,161	19,598	23,230	31,247	30,092	20,318	20,238	20,589	20,152
91,833	0,210	0,648	1,312	0,124	0,020	0,306	1,122	74,213	19,657	23,277	24,897	27,668	20,304	20,231	20,593	20,151
92,167	0,209	0,651	1,310	0,124	0,017	0,304	1,121	74,233	19,713	23,280	27,861	28,039	20,310	20,245	20,598	20,155
92,500	0,210	0,649	1,313	0,123	0,017	0,306	1,122	74,240	19,698	23,286	26,473	28,279	20,307	20,239	20,581	20,151
92,833	0,211	0,650	1,321	0,123	0,017	0,305	1,121	74,280	19,602	23,268	27,557	27,783	20,307	20,239	20,593	20,152
93,167	0,210	0,650	1,312	0,127	0,012	0,305	1,121	74,266	19,563	23,259	26,473	29,452	20,309	20,246	20,600	20,153
93,500	0,210	0,651	1,309	0,124	0,010	0,304	1,120	74,261	19,602	23,246	26,767	29,508	20,311	20,237	20,596	20,152
93,833	0,211	0,647	1,322	0,123	0,016	0,308	1,120	74,267	19,648	23,270	26,132	27,014	20,308	20,241	20,593	20,151
94,167	0,213	0,643	1,298	0,124	0,013	0,312	1,120	74,278	19,633	23,334	27,805	27,957	20,315	20,246	20,592	20,151
94,500	0,214	0,634	1,308	0,126	0,019	0,319	1,120	74,334	19,626	23,311	24,731	28,341	20,303	20,242	20,593	20,149
94,833	0,214	0,631	1,312	0,124	0,015	0,321	1,120	74,344	19,598	23,282	27,955	29,715	20,301	20,234	20,589	20,146
95,167	0,215	0,634	1,327	0,124	0,015	0,319	1,120	74,361	19,636	23,246	24,980	27,353	20,304	20,243	20,591	20,147
95,500	0,214	0,629	1,318	0,124	0,014	0,323	1,120	74,366	19,651	23,262	24,853	28,098	20,312	20,243	20,597	20,148
95,833	0,212	0,622	1,316	0,124	0,007	0,329	1,120	74,425	19,638	23,266	26,553	29,250	20,305	20,235	20,587	20,149
96,167	0,212	0,627	1,303	0,125	0,015	0,324	1,120	74,423	19,659	23,277	26,387	30,278	20,312	20,239	20,588	20,146
96,500	0,213	0,625	1,306	0,125	0,011	0,327	1,119	74,431	19,628	23,293	26,193	29,788	20,300	20,241	20,582	20,145
96,834	0,213	0,618	1,308	0,125	0,013	0,333	1,119	74,441	19,665	23,283	28,146	27,535	20,303	20,245	20,586	20,145
97,167	0,212	0,619	1,316	0,127	0,013	0,332	1,119	74,416	19,655	23,266	26,700	31,572	20,306	20,248	20,587	20,147
97,500	0,212	0,619	1,309	0,125	0,018	0,333	1,118	74,407	19,649	23,282	24,016	25,467	20,311	20,237	20,594	20,147

Pellematic 56_cat II_run 1_191211.Dat

Category: II

	1102	1103	1108	1109	130	230	101	102	1	2	3	6	7	8	11	
Mättid	T4 outlet load side	T3 inlet load side	T2 inlet boiler	T1 outlet boiler	Flow load side	Flow boiler side	Heat output load side	Heat output boiler	CO chimney	CO2 chimney	O2 chimney	Pstat	Pdyn	Tunnel velocity	Våg	Tidpunkt
Minuter	°C	°C	°C	°C	m³/h	m³/h	W	W	ppm	%	%	Pa	Pa	m/s	kg	Klockan
85,500	63,419	44,102	53,816	73,827	0,502	0,505	11160,285	11583,182	28,016	10,997	9,392	4,919	52,466	9,351	945,475	2019-12-11 12:17
85,833	63,439	44,100	53,830	73,871	0,502	0,505	11176,921	11602,163	32,205	11,204	9,218	4,939	51,581	9,272	945,475	2019-12-11 12:17
86,167	63,439	44,100	53,848	73,865	0,503	0,504	11184,973	11569,579	35,664	11,268	9,127	4,957	51,866	9,298	945,475	2019-12-11 12:18
86,500	63,466	44,109	53,853	73,902	0,503	0,504	11194,185	11592,827	34,903	11,308	9,089	4,926	52,375	9,343	945,351	2019-12-11 12:18
86,833	63,430	44,119	53,855	73,910	0,503	0,505	11173,202	11611,495	32,369	11,366	9,058	4,964	52,620	9,365	945,351	2019-12-11 12:18
87,167	63,405	44,135	53,881	73,958	0,502	0,505	11137,857	11625,103	33,829	11,337	9,029	5,004	52,130	9,321	945,351	2019-12-11 12:19
87,500	63,443	44,146	53,931	73,956	0,502	0,505	11153,058	11596,328	35,228	11,372	9,014	4,949	53,064	9,404	945,351	2019-12-11 12:19
87,833	63,198	44,164	53,983	73,970	0,502	0,507	11002,133	11630,360	29,940	11,583	8,808	4,939	52,180	9,326	945,329	2019-12-11 12:19
88,167	63,004	44,184	54,064	73,998	0,503	0,506	10885,380	11570,462	28,793	11,644	8,710	4,949	52,495	9,354	945,351	2019-12-11 12:20
88,500	63,074	44,206	54,250	74,007	0,502	0,507	10902,941	11483,976	29,445	11,574	8,779	4,903	52,287	9,335	945,351	2019-12-11 12:20
88,833	63,129	44,215	54,397	74,031	0,502	0,507	10933,851	11418,775	29,861	11,816	8,605	4,944	52,485	9,353	945,257	2019-12-11 12:20
89,167	63,169	44,227	54,476	74,084	0,502	0,506	10945,498	11377,809	28,514	12,018	8,383	4,944	52,456	9,350	945,257	2019-12-11 12:21
89,500	63,184	44,224	54,508	74,124	0,502	0,507	10951,303	11409,410	27,537	12,068	8,291	4,957	52,600	9,363	945,257	2019-12-11 12:21
89,834	63,190	44,211	54,542	74,122	0,502	0,507	10963,120	11370,924	23,815	11,867	8,471	4,990	52,953	9,394	945,257	2019-12-11 12:21
90,167	63,202	44,185	54,573	74,165	0,502	0,508	10987,927	11410,138	25,001	11,761	8,613	4,932	52,318	9,338	945,163	2019-12-11 12:22
90,500	63,337	44,155	54,597	74,206	0,502	0,507	11084,518	11403,292	26,418	11,801	8,588	4,941	52,458	9,350	945,163	2019-12-11 12:22
90,834	63,335	44,125	54,578	74,243	0,502	0,508	11103,290	11445,852	30,864	11,850	8,563	4,938	52,512	9,355	945,163	2019-12-11 12:22
91,167	63,312	44,096	54,537	74,237	0,502	0,506	11109,336	11430,257	28,511	11,549	8,777	4,961	52,195	9,327	945,163	2019-12-11 12:23
91,500	63,302	44,067	54,509	74,315	0,502	0,507	11120,113	11518,987	29,028	11,203	9,161	4,979	52,346	9,340	945,163	2019-12-11 12:23
91,833	63,314	44,052	54,499	74,347	0,503	0,508	11138,346	11553,289	26,759	11,222	9,194	4,975	52,387	9,344	945,069	2019-12-11 12:23
92,167	63,345	44,041	54,507	74,357	0,503	0,508	11163,864	11558,091	26,927	11,269	9,118	4,950	52,706	9,372	945,084	2019-12-11 12:24
92,500	63,344	44,042	54,503	74,393	0,503	0,507	11166,586	11555,314	29,754	11,214	9,187	4,920	52,436	9,348	945,163	2019-12-11 12:24
92,833	63,378	44,049	54,504	74,405	0,502	0,507	11160,825	11564,635	30,278	11,251	9,142	4,937	53,155	9,412	945,069	2019-12-11 12:24
93,167	63,415	44,070	54,517	74,442	0,502	0,507	11180,098	11575,004	28,603	11,255	9,140	5,082	52,502	9,354	945,069	2019-12-11 12:25
93,500	63,430	44,090	54,523	74,502	0,503	0,507	11187,876	11606,028	29,358	11,282	9,131	4,974	52,195	9,327	944,977	2019-12-11 12:25
93,833	63,435	44,119	54,529	74,499	0,502	0,507	11167,191	11603,817	32,209	11,150	9,230	4,937	52,953	9,394	945,069	2019-12-11 12:25
94,167	63,457	44,147	54,556	74,522	0,503	0,507	11169,382	11594,722	36,074	11,031	9,345	4,969	51,810	9,293	944,976	2019-12-11 12:26
94,500	63,462	44,166	54,577	74,574	0,503	0,506	11158,273	11604,239	37,571	10,804	9,562	5,033	52,427	9,348	944,977	2019-12-11 12:26
94,833	63,450	44,187	54,600	74,602	0,503	0,508	11142,955	11639,323	38,832	10,810	9,617	4,955	52,815	9,382	944,977	2019-12-11 12:26
95,167	63,205	44,192	54,663	74,631	0,503	0,508	10994,889	11623,544	39,203	10,833	9,561	4,964	52,805	9,381	944,976	2019-12-11 12:27
95,500	63,018	44,190	54,758	74,664	0,502	0,508	10880,897	11589,235	37,017	10,665	9,700	4,957	52,653	9,368	944,977	2019-12-11 12:27
95,833	63,078	44,165	54,960	74,681	0,502	0,508	10931,805	11485,969	33,646	10,546	9,860	4,945	52,483	9,353	944,977	2019-12-11 12:27
96,167	63,108	44,128	55,082	74,706	0,502	0,507	10968,250	11401,479	34,234	10,735	9,733	5,006	51,875	9,298	944,977	2019-12-11 12:28
96,500	63,103	44,078	55,127	74,706	0,502	0,507	10996,267	11379,291	36,233	10,557	9,796	4,989	52,334	9,339	944,977	2019-12-11 12:28
96,834	63,205	44,031	55,143	74,714	0,502	0,507	11083,295	11361,389	34,901	10,434	9,986	5,004	52,487	9,353	944,851	2019-12-11 12:28
97,167	63,198	43,983	55,117	74,754	0,503	0,507	11113,080	11415,153	31,459	10,487	9,971	5,063	52,720	9,374	944,850	2019-12-11 12:29
97,500	63,190	43,938	55,072	74,787	0,503	0,507	11139,889	11457,030	33,382	10,442	9,977	5,005	52,492	9,353	944,851	2019-12-11 12:29

Pellematic 56_cat II_run 1_191211.Dat

Category: II

	301	302	304	305	306	308	317	1311	1312	1313	1314	1315	1316	1317	1318	1101
Mättid	CO chimney	CO2 chimney	Pdyn	Pstat	Static pressure chimney	O2 chimney	Våg	Flue gas temp	Ambient	Flue gas at pitot	filter temp 1	filter temp 2	gas meter temp 1	gas meter temp 2	gasmeter temp ambient	
Minuter	VDC	VDC	VDC	VDC	VDC	VDC	VDC	°C	°C	°C	°C	°C	°C	°C	°C	°C
97,834	0,212	0,616	1,309	0,125	0,013	0,335	1,118	74,477	19,630	23,276	28,878	28,913	20,303	20,246	20,584	20,149
98,167	0,213	0,625	1,307	0,125	0,008	0,325	1,117	74,487	19,647	23,273	26,958	31,503	20,316	20,255	20,590	20,150
98,500	0,214	0,631	1,310	0,125	0,014	0,321	1,117	74,489	19,656	23,272	23,700	27,024	20,306	20,245	20,588	20,144
98,833	0,213	0,625	1,311	0,125	0,012	0,327	1,116	74,512	19,717	23,287	26,142	29,915	20,306	20,251	20,590	20,148
99,167	0,212	0,622	1,324	0,126	0,015	0,330	1,116	74,528	19,615	23,281	23,915	26,924	20,298	20,235	20,577	20,143
99,500	0,212	0,624	1,324	0,126	0,009	0,327	1,116	74,529	19,649	23,233	28,388	29,467	20,308	20,242	20,588	20,149
99,833	0,213	0,626	1,310	0,126	0,020	0,325	1,116	74,535	19,585	23,305	25,676	27,539	20,308	20,248	20,595	20,149
100,167	0,213	0,634	1,302	0,125	0,010	0,318	1,115	74,567	19,617	23,325	27,018	30,938	20,310	20,244	20,582	20,153
100,500	0,214	0,637	1,302	0,126	0,013	0,315	1,115	74,590	19,633	23,284	27,599	26,372	20,304	20,250	20,583	20,145
100,833	0,215	0,633	1,312	0,125	0,019	0,319	1,115	74,631	19,600	23,276	29,311	28,702	20,304	20,252	20,588	20,147
101,167	0,214	0,636	1,313	0,125	0,019	0,316	1,115	74,640	19,610	23,248	22,950	26,437	20,310	20,252	20,591	20,153
101,500	0,213	0,643	1,313	0,126	0,012	0,310	1,115	74,665	19,596	23,193	27,571	29,365	20,311	20,248	20,588	20,146
101,833	0,212	0,640	1,318	0,126	0,017	0,313	1,114	74,696	19,603	23,146	30,201	29,939	20,300	20,247	20,591	20,144
102,167	0,210	0,645	1,305	0,126	0,018	0,308	1,113	74,684	19,534	23,205	31,200	24,857	20,302	20,249	20,573	20,143
102,500	0,210	0,651	1,307	0,127	0,014	0,304	1,114	74,705	19,553	23,178	27,547	30,911	20,300	20,256	20,583	20,147
102,834	0,211	0,646	1,310	0,127	0,013	0,309	1,370	74,732	19,610	23,227	26,624	24,434	20,302	20,251	20,578	20,141
103,167	0,211	0,645	1,306	0,126	0,012	0,309	1,348	74,745	19,569	23,221	13,566	27,554	20,302	20,252	20,570	20,140
103,500	0,211	0,648	1,316	0,125	0,016	0,306	1,468	74,769	19,516	23,188	29,669	45,428	20,294	20,242	20,564	20,139
103,834	0,212	0,650	1,318	0,123	0,013	0,305	1,553	74,754	19,569	23,254	29,908	31,073	20,294	20,244	20,574	20,136
104,167	0,214	0,655	1,313	0,126	0,015	0,299	1,586	74,768	19,504	23,241	47,251	90,483	20,304	20,248	20,578	20,136
104,500	0,214	0,661	1,310	0,125	0,014	0,295	1,587	74,777	19,541	23,236	34,403	34,753	20,294	20,259	20,571	20,134
104,834	0,214	0,662	1,309	0,126	0,014	0,295	1,585	74,799	19,528	23,257	51,443	31,695	20,302	20,243	20,558	20,130
105,167	0,214	0,659	1,299	0,125	0,016	0,297	1,585	74,824	19,607	23,239	32,241	32,467	20,304	20,254	20,570	20,129
105,500	0,212	0,654	1,317	0,125	0,019	0,302	1,585	74,844	19,594	23,231	25,685	25,939	20,294	20,244	20,570	20,129
105,833	0,211	0,655	1,299	0,127	0,015	0,301	1,585	74,858	19,660	23,253	-5010,763	31,316	20,305	20,245	20,568	20,131
106,167	0,211	0,658	1,298	0,126	0,013	0,298	1,585	74,879	19,653	23,245	20,285	39,760	20,304	20,260	20,562	20,129
106,500	0,212	0,657	1,312	0,126	0,017	0,299	1,585	74,919	19,684	23,278	20,284	36,174	20,307	20,250	20,568	20,128
106,833	0,212	0,653	1,308	0,126	0,013	0,304	1,584	74,930	19,695	23,265	20,250	36,726	20,309	20,245	20,570	20,126
107,167	0,212	0,645	1,321	0,127	0,012	0,310	1,584	74,978	19,708	23,269	20,276	39,442	20,304	20,245	20,565	20,127
107,500	0,211	0,637	1,313	0,127	0,012	0,317	1,584	74,977	19,716	23,297	20,276	30,251	20,309	20,252	20,563	20,125
107,833	0,211	0,631	1,323	0,129	0,013	0,322	1,584	74,980	19,656	23,269	20,292	20,256	20,309	20,248	20,561	20,125
108,167	0,211	0,632	1,317	0,128	0,020	0,320	1,584	74,994	19,647	23,293	20,284	20,262	20,297	20,248	20,563	20,125
108,500	0,212	0,636	1,314	0,126	0,018	0,317	1,583	75,020	19,702	23,348	20,303	20,303	20,320	20,262	20,576	20,131
108,833	0,213	0,636	1,320	0,127	0,017	0,318	1,583	75,030	19,708	23,346	20,300	20,271	20,312	20,264	20,570	20,130
109,167	0,212	0,630	1,301	0,127	0,014	0,322	1,582	75,041	19,661	23,343	20,306	20,320	20,316	20,251	20,575	20,125
109,500	0,211	0,625	1,316	0,126	0,013	0,327	1,582	75,024	19,687	23,342	20,303	20,316	20,308	20,254	20,566	20,125
109,834	0,210	0,620	1,305	0,125	0,019	0,331	1,582	75,057	19,729	23,382	20,319	20,330	20,328	20,258	20,579	20,129

Pellematic 56_cat II_run 1_191211.Dat

Category: II

	1102	1103	1108	1109	130	230	101	102	1	2	3	6	7	8	11	
Mättid	T4 outlet load side	T3 inlet load side	T2 inlet boiler	T1 outlet boiler	Flow load side	Flow boiler side	Heat output load side	Heat output boiler	CO chimney	CO2 chimney	O2 chimney	Pstat	Pdyn	Tunnel velocity	Våg	Tidpunkt
Minuter	°C	°C	°C	°C	m³/h	m³/h	W	W	ppm	%	%	Pa	Pa	m/s	kg	Klockan
97,834	63,177	43,902	55,033	74,805	0,503	0,508	11159,737	11500,671	33,808	10,412	10,047	4,996	52,333	9,339	944,850	2019-12-11 12:29
98,167	63,174	43,878	55,015	74,808	0,503	0,507	11166,941	11502,118	36,659	10,737	9,756	4,991	51,978	9,308	944,757	2019-12-11 12:30
98,500	63,433	43,864	54,993	74,810	0,503	0,507	11329,899	11524,902	38,921	10,751	9,636	5,002	52,310	9,337	944,782	2019-12-11 12:30
98,833	63,684	43,864	54,966	74,828	0,502	0,507	11457,098	11542,625	36,076	10,604	9,809	5,000	52,341	9,340	944,757	2019-12-11 12:30
99,167	63,584	43,866	54,813	74,834	0,503	0,506	11407,491	11619,715	30,956	10,569	9,889	5,026	53,001	9,399	944,757	2019-12-11 12:31
99,500	63,543	43,889	54,692	74,858	0,503	0,508	11372,107	11734,379	33,220	10,611	9,806	5,038	52,785	9,380	944,757	2019-12-11 12:31
99,833	63,274	43,910	54,675	74,863	0,502	0,507	11187,608	11733,102	35,905	10,662	9,760	5,055	52,167	9,324	944,757	2019-12-11 12:31
100,167	63,069	43,947	54,704	74,885	0,502	0,507	11050,088	11721,427	36,580	10,909	9,530	5,014	52,109	9,319	944,663	2019-12-11 12:32
100,500	63,142	43,961	54,872	74,876	0,502	0,508	11085,074	11636,664	38,759	10,913	9,458	5,052	52,161	9,324	944,663	2019-12-11 12:32
100,833	63,163	43,981	55,009	74,895	0,504	0,507	11121,197	11553,500	40,762	10,800	9,561	4,987	52,310	9,337	944,663	2019-12-11 12:32
101,167	63,183	44,000	55,069	74,921	0,503	0,507	11100,259	11525,822	36,070	10,967	9,477	5,001	52,332	9,339	944,663	2019-12-11 12:33
101,500	63,188	44,009	55,099	74,906	0,503	0,507	11092,336	11504,554	34,890	11,086	9,303	5,041	52,726	9,374	944,663	2019-12-11 12:33
101,833	63,212	44,017	55,125	74,948	0,503	0,507	11114,638	11516,253	31,788	10,956	9,404	5,045	52,830	9,383	944,663	2019-12-11 12:33
102,167	63,223	44,025	55,159	74,996	0,503	0,505	11117,440	11480,724	28,278	11,186	9,240	5,057	52,247	9,332	944,569	2019-12-11 12:34
102,500	63,232	44,032	55,147	74,982	0,502	0,506	11100,843	11499,396	29,701	11,271	9,113	5,063	52,296	9,336	944,663	2019-12-11 12:34
102,834	63,247	44,044	55,149	74,997	0,503	0,506	11108,505	11522,081	29,534	11,094	9,273	5,072	52,261	9,333	958,981	2019-12-11 12:34
103,167	63,261	44,050	55,170	74,998	0,503	0,507	11109,813	11520,979	29,598	11,137	9,269	5,051	52,471	9,352	958,248	2019-12-11 12:35
103,500	63,277	44,052	55,206	75,055	0,502	0,507	11114,488	11522,628	32,883	11,190	9,189	5,010	52,870	9,387	974,253	2019-12-11 12:35
103,834	63,300	44,057	55,213	75,041	0,502	0,507	11122,316	11528,978	33,692	11,266	9,144	4,927	52,739	9,375	969,421	2019-12-11 12:35
104,167	63,298	44,057	55,235	75,089	0,503	0,507	11126,980	11532,567	38,601	11,438	8,973	5,023	52,634	9,366	974,159	2019-12-11 12:36
104,500	63,316	44,053	55,245	75,076	0,502	0,507	11136,627	11532,475	37,835	11,558	8,855	4,984	52,675	9,370	974,159	2019-12-11 12:36
104,834	63,315	44,057	55,262	75,111	0,503	0,507	11135,616	11532,350	38,223	11,558	8,840	5,048	51,959	9,306	974,065	2019-12-11 12:36
105,167	63,315	44,058	55,266	75,092	0,503	0,506	11142,667	11488,196	36,522	11,460	8,911	5,020	52,078	9,316	974,065	2019-12-11 12:37
105,500	63,331	44,055	55,249	75,128	0,503	0,507	11154,196	11557,897	31,865	11,342	9,056	4,989	52,639	9,367	974,066	2019-12-11 12:37
105,833	63,331	44,054	55,254	75,094	0,503	0,507	11150,082	11517,100	30,968	11,385	9,038	5,069	51,765	9,288	974,065	2019-12-11 12:37
106,167	63,359	44,048	55,276	75,166	0,502	0,508	11159,714	11575,707	32,546	11,466	8,954	5,044	52,133	9,321	974,066	2019-12-11 12:38
106,500	63,357	44,038	55,296	75,153	0,502	0,507	11167,906	11529,030	35,142	11,436	8,979	5,059	52,686	9,371	974,065	2019-12-11 12:38
106,833	63,372	44,019	55,304	75,194	0,502	0,507	11190,324	11563,573	33,049	11,255	9,110	5,020	52,598	9,363	973,974	2019-12-11 12:38
107,167	63,382	44,005	55,306	75,229	0,503	0,507	11214,441	11568,572	31,799	11,091	9,290	5,076	52,675	9,370	973,973	2019-12-11 12:39
107,500	63,370	43,983	55,291	75,275	0,503	0,506	11219,227	11583,257	29,865	10,886	9,501	5,064	52,599	9,363	973,974	2019-12-11 12:39
107,833	63,384	43,965	55,278	75,261	0,503	0,507	11229,483	11601,018	30,781	10,736	9,653	5,144	52,595	9,363	973,973	2019-12-11 12:39
108,167	63,384	43,957	55,275	75,296	0,503	0,507	11241,354	11631,132	32,300	10,845	9,594	5,115	52,500	9,354	973,974	2019-12-11 12:40
108,500	63,409	43,956	55,282	75,300	0,503	0,505	11254,270	11595,656	34,566	10,914	9,502	5,049	52,556	9,359	973,847	2019-12-11 12:40
108,833	63,410	43,967	55,266	75,336	0,502	0,507	11234,289	11659,285	35,820	10,839	9,526	5,099	52,666	9,369	973,847	2019-12-11 12:40
109,167	63,414	43,986	55,281	75,369	0,502	0,506	11223,905	11660,399	31,794	10,743	9,661	5,074	52,028	9,312	973,847	2019-12-11 12:41
109,500	63,445	44,007	55,299	75,363	0,503	0,508	11240,026	11672,990	30,122	10,595	9,800	5,036	52,562	9,360	973,847	2019-12-11 12:41
109,834	63,459	44,036	55,328	75,365	0,502	0,507	11228,479	11637,768	28,766	10,466	9,934	5,006	52,145	9,322	973,846	2019-12-11 12:41

Pellematic 56_cat II_run 1_191211.Dat

Category: II

	301	302	304	305	306	308	317	1311	1312	1313	1314	1315	1316	1317	1318	1101
Mättid	CO chimney	CO2 chimney	Pdyn	Pstat	Static pressure chimney	O2 chimney	Våg	Flue gas temp	Ambient	Flue gas at pitot	filter temp 1	filter temp 2	gas meter temp 1	gas meter temp 2	gasmeter temp ambient	
Minuter	VDC	VDC	VDC	VDC	VDC	VDC	VDC	°C	°C	°C	°C	°C	°C	°C	°C	°C
110,167	0,211	0,620	1,312	0,126	0,013	0,331	1,582	75,069	19,653	23,357	20,307	20,319	20,311	20,255	20,561	20,126
110,500	0,210	0,628	1,315	0,128	0,014	0,323	1,582	75,080	19,688	23,331	20,328	20,324	20,318	20,256	20,574	20,132
110,834	0,212	0,635	1,309	0,126	0,019	0,317	1,582	75,111	19,607	23,372	20,313	20,331	20,319	20,273	20,575	20,131
111,167	0,213	0,635	1,309	0,126	0,013	0,318	1,581	75,091	19,650	23,300	20,315	20,307	20,315	20,250	20,567	20,126
111,500	0,213	0,629	1,324	0,128	0,009	0,323	1,580	75,128	19,607	23,165	20,339	20,313	20,339	20,269	20,572	20,133
111,834	0,217	0,632	1,326	0,130	0,020	0,320	1,580	75,119	19,599	23,088	20,315	20,288	20,314	20,260	20,564	20,129
112,167	0,219	0,626	1,332	0,128	0,021	0,327	1,580	75,154	19,516	23,046	20,312	20,280	20,317	20,250	20,554	20,124
112,500	0,216	0,618	1,349	0,130	0,015	0,335	1,580	75,093	19,549	23,041	20,317	20,289	20,322	20,254	20,559	20,123
112,833	0,217	0,614	1,345	0,130	0,016	0,338	1,580	75,062	19,582	23,097	20,314	20,284	20,317	20,250	20,547	20,122
113,167	0,217	0,608	1,329	0,129	0,012	0,343	1,580	74,980	19,593	23,061	20,318	20,284	20,314	20,260	20,559	20,122
113,500	0,218	0,609	1,328	0,128	0,017	0,340	1,579	74,867	19,589	23,035	20,314	20,265	20,324	20,252	20,554	20,121
113,833	0,218	0,613	1,331	0,127	0,009	0,337	1,579	74,804	19,524	23,046	20,307	20,276	20,322	20,250	20,554	20,121
114,167	0,219	0,612	1,315	0,128	0,018	0,339	1,579	74,796	19,544	23,041	20,309	20,271	20,320	20,258	20,552	20,121
114,500	0,219	0,607	1,331	0,127	0,012	0,343	1,579	74,771	19,548	23,019	20,310	20,249	20,316	20,263	20,553	20,118
114,833	0,219	0,606	1,337	0,125	0,014	0,343	1,579	74,731	19,491	22,953	20,316	20,246	20,318	20,259	20,547	20,116
115,167	0,222	0,605	1,330	0,127	0,020	0,343	1,579	74,759	19,583	22,988	20,312	20,252	20,320	20,264	20,560	20,118
115,500	0,220	0,601	1,340	0,127	0,009	0,347	1,579	74,696	19,640	22,977	20,308	20,252	20,315	20,263	20,556	20,114
115,833	0,219	0,596	1,340	0,128	0,021	0,351	1,579	74,650	19,679	22,970	20,323	20,255	20,309	20,264	20,553	20,114
116,167	0,219	0,599	1,340	0,128	0,015	0,348	1,578	74,603	19,629	22,961	20,326	20,244	20,331	20,263	20,561	20,120
116,500	0,219	0,598	1,338	0,129	0,019	0,349	1,579	74,535	19,523	22,975	20,318	20,237	20,325	20,263	20,557	20,115
116,834	0,218	0,588	1,333	0,128	0,012	0,358	1,577	74,529	19,500	22,988	20,321	20,228	20,320	20,269	20,556	20,114
117,167	0,218	0,581	1,329	0,128	0,020	0,364	1,577	74,539	19,561	22,974	20,324	20,223	20,327	20,272	20,551	20,114
117,500	0,218	0,580	1,328	0,127	0,017	0,364	1,577	74,465	19,586	23,001	20,315	20,216	20,315	20,264	20,546	20,110
117,834	0,218	0,581	1,335	0,127	0,009	0,364	1,577	74,414	19,546	22,980	20,325	20,214	20,322	20,259	20,552	20,109
118,167	0,219	0,584	1,323	0,127	0,008	0,362	1,577	74,356	19,492	22,954	20,313	20,225	20,325	20,257	20,546	20,113
118,500	0,219	0,591	1,323	0,127	0,013	0,355	1,577	74,306	19,549	22,959	20,322	20,212	20,326	20,268	20,539	20,113
118,833	0,219	0,598	1,318	0,126	0,011	0,349	1,577	74,267	19,537	22,892	20,326	20,207	20,326	20,255	20,553	20,107
119,167	0,219	0,598	1,320	0,127	0,016	0,350	1,577	74,264	19,458	22,918	20,320	20,207	20,324	20,266	20,552	20,109
119,500	0,219	0,594	1,334	0,126	0,015	0,353	1,577	74,258	19,496	22,934	20,323	20,185	20,329	20,266	20,549	20,108
119,833	0,219	0,596	1,335	0,127	0,017	0,351	1,577	74,207	19,504	22,955	20,333	20,198	20,321	20,264	20,534	20,105
120,167	0,222	0,599	1,326	0,127	0,015	0,349	1,577	74,149	19,501	22,927	20,317	20,181	20,326	20,258	20,546	20,101
120,500	0,223	0,596	1,333	0,128	0,010	0,352	1,576	74,147	19,567	22,911	20,363	20,200	20,325	20,259	20,552	20,106
120,833	0,222	0,592	1,328	0,128	0,018	0,355	1,576	74,102	19,608	22,923	20,405	20,247	20,304	20,263	20,560	20,104
121,167	0,224	0,599	1,337	0,127	0,007	0,348	1,576	74,060	19,617	22,905	20,440	20,285	20,285	20,258	20,562	20,107
121,500	0,224	0,604	1,342	0,127	0,013	0,344	1,575	74,048	19,577	22,918	20,462	20,347	20,281	20,251	20,563	20,105
121,833	0,225	0,602	1,327	0,125	0,016	0,347	1,576	73,997	19,530	22,941	20,477	20,437	20,257	20,251	20,571	20,105
122,167	0,224	0,593	1,338	0,127	0,016	0,354	1,576	73,967	19,521	22,920	20,543	20,458	20,261	20,244	20,575	20,105

Pellematic 56_cat II_run 1_191211.Dat

Category: II

	1102	1103	1108	1109	130	230	101	102	1	2	3	6	7	8	11	
Mättid	T4 outlet load side	T3 inlet load side	T2 inlet boiler	T1 outlet boiler	Flow load side	Flow boiler side	Heat output load side	Heat output boiler	CO chimney	CO2 chimney	O2 chimney	Pstat	Pdyn	Tunnel velocity	Våg	Tidpunkt
Minuter	°C	°C	°C	°C	m³/h	m³/h	W	W	ppm	%	%	Pa	Pa	m/s	kg	Klockan
110,167	63,480	44,062	55,342	75,396	0,503	0,506	11228,637	11638,685	29,770	10,530	9,915	5,023	52,642	9,367	973,846	2019-12-11 12:42
110,500	63,000	44,076	55,367	75,396	0,502	0,507	10939,965	11647,979	28,848	10,757	9,682	5,103	52,398	9,345	973,847	2019-12-11 12:42
110,834	63,005	44,095	55,458	75,404	0,502	0,506	10929,418	11570,952	34,244	10,915	9,523	5,051	52,369	9,342	973,847	2019-12-11 12:42
111,167	63,061	44,112	55,631	75,431	0,502	0,507	10950,927	11504,299	34,968	10,867	9,538	5,060	52,516	9,356	973,846	2019-12-11 12:43
111,500	63,085	44,127	55,757	75,458	0,503	0,507	10966,019	11451,555	35,543	10,667	9,703	5,108	53,090	9,407	973,752	2019-12-11 12:43
111,834	63,108	44,136	55,821	75,437	0,503	0,507	10978,849	11387,252	50,359	10,838	9,611	5,186	53,029	9,401	973,751	2019-12-11 12:43
112,167	63,119	44,131	55,853	75,463	0,503	0,507	10980,608	11386,504	48,834	10,598	9,823	5,105	53,258	9,421	973,752	2019-12-11 12:44
112,500	63,229	44,122	55,867	75,445	0,503	0,507	11049,807	11380,065	43,964	10,404	10,045	5,193	54,298	9,513	973,752	2019-12-11 12:44
112,833	63,213	44,111	55,882	75,463	0,502	0,506	11030,910	11348,376	46,646	10,333	10,125	5,207	53,466	9,440	973,752	2019-12-11 12:44
113,167	63,204	44,096	55,841	75,460	0,503	0,506	11050,251	11373,741	46,314	10,179	10,295	5,150	53,244	9,420	973,751	2019-12-11 12:45
113,500	63,189	44,076	55,814	75,464	0,503	0,506	11056,877	11388,987	48,909	10,248	10,202	5,128	53,121	9,409	973,751	2019-12-11 12:45
113,833	63,194	44,059	55,796	75,462	0,503	0,506	11070,044	11393,100	50,000	10,325	10,108	5,072	53,275	9,423	973,658	2019-12-11 12:45
114,167	63,184	44,050	55,782	75,442	0,503	0,506	11074,532	11395,998	52,525	10,268	10,169	5,131	52,496	9,354	973,658	2019-12-11 12:46
114,500	63,182	44,049	55,769	75,453	0,503	0,507	11069,040	11436,647	47,985	10,132	10,305	5,087	53,510	9,444	973,658	2019-12-11 12:46
114,833	63,184	44,046	55,770	75,393	0,503	0,507	11067,537	11392,256	52,853	10,153	10,298	5,018	53,223	9,418	973,658	2019-12-11 12:46
115,167	63,174	44,049	55,772	75,384	0,503	0,506	11061,858	11364,635	57,798	10,109	10,303	5,086	53,381	9,432	973,658	2019-12-11 12:47
115,500	63,701	44,044	55,755	75,353	0,503	0,506	11370,486	11352,531	51,679	9,978	10,400	5,085	53,405	9,434	973,658	2019-12-11 12:47
115,833	63,611	44,044	55,631	75,331	0,503	0,506	11318,512	11411,925	50,389	9,886	10,526	5,114	53,675	9,458	973,658	2019-12-11 12:47
116,167	63,515	44,040	55,474	75,353	0,502	0,506	11255,599	11515,795	50,677	9,993	10,446	5,128	53,583	9,450	973,658	2019-12-11 12:48
116,500	63,483	44,038	55,408	75,321	0,503	0,505	11247,765	11533,799	50,927	9,907	10,483	5,168	53,252	9,421	973,658	2019-12-11 12:48
116,834	63,462	44,035	55,384	75,285	0,503	0,506	11247,018	11529,528	48,245	9,648	10,752	5,133	53,124	9,410	973,564	2019-12-11 12:48
117,167	63,450	44,033	55,374	75,238	0,503	0,505	11240,164	11492,137	47,743	9,509	10,935	5,129	53,040	9,402	973,564	2019-12-11 12:49
117,500	63,424	44,029	55,347	75,215	0,503	0,505	11223,813	11500,999	48,648	9,511	10,927	5,097	53,219	9,418	973,564	2019-12-11 12:49
117,834	63,392	44,032	55,324	75,153	0,503	0,505	11202,297	11482,117	47,817	9,528	10,912	5,100	53,484	9,441	973,564	2019-12-11 12:49
118,167	63,394	44,030	55,321	75,149	0,503	0,505	11211,223	11466,123	51,429	9,612	10,848	5,066	52,343	9,340	973,564	2019-12-11 12:50
118,500	63,370	44,034	55,300	75,133	0,502	0,505	11174,115	11482,898	51,101	9,851	10,637	5,066	53,204	9,417	973,564	2019-12-11 12:50
118,833	63,361	44,036	55,285	75,060	0,502	0,505	11170,307	11452,849	49,245	9,979	10,480	5,044	52,640	9,367	973,564	2019-12-11 12:50
119,167	62,790	44,031	55,293	75,057	0,503	0,505	10848,141	11445,596	50,473	9,937	10,493	5,064	52,865	9,387	973,564	2019-12-11 12:51
119,500	62,824	44,017	55,412	75,042	0,502	0,506	10863,620	11379,158	49,840	9,832	10,598	5,052	53,469	9,440	973,564	2019-12-11 12:51
119,833	62,922	44,010	55,561	74,976	0,503	0,506	10952,055	11247,268	51,602	9,922	10,539	5,099	53,367	9,431	973,564	2019-12-11 12:51
120,167	62,916	44,001	55,600	74,952	0,503	0,505	10948,518	11206,281	60,303	10,020	10,464	5,095	52,433	9,348	973,564	2019-12-11 12:52
120,500	63,413	43,994	55,584	74,924	0,503	0,506	11229,172	11202,907	59,745	9,865	10,545	5,122	53,337	9,428	973,472	2019-12-11 12:52
120,833	63,329	43,991	55,482	74,874	0,503	0,505	11191,220	11230,270	58,811	9,798	10,642	5,105	53,378	9,432	973,473	2019-12-11 12:52
121,167	63,262	43,989	55,306	74,825	0,503	0,505	11157,691	11306,548	64,868	10,018	10,446	5,062	53,562	9,448	973,472	2019-12-11 12:53
121,500	63,243	43,990	55,203	74,788	0,503	0,505	11143,211	11337,203	63,938	10,103	10,333	5,079	53,469	9,440	973,421	2019-12-11 12:53
121,833	63,212	43,995	55,144	74,752	0,503	0,505	11119,716	11354,106	65,033	10,015	10,408	4,985	53,091	9,407	973,473	2019-12-11 12:53
122,167	63,178	44,009	55,108	74,694	0,503	0,505	11087,335	11344,596	62,847	9,762	10,634	5,092	53,525	9,445	973,472	2019-12-11 12:54

Pellematic 56_cat II_run 1_191211.Dat

Category: II

	301	302	304	305	306	308	317	1311	1312	1313	1314	1315	1316	1317	1318	1101
Mättid	CO chimney	CO2 chimney	Pdyn	Pstat	Static pressure chimney	O2 chimney	Våg	Flue gas temp	Ambient	Flue gas at pitot	filter temp 1	filter temp 2	gas meter temp 1	gas meter temp 2	gasmeter temp ambient	
Minuter	VDC	VDC	VDC	VDC	VDC	VDC	VDC	°C	°C	°C	°C	°C	°C	°C	°C	°C
122,500	0,224	0,586	1,337	0,127	0,010	0,360	1,576	73,921	19,400	22,913	20,587	20,503	20,255	20,249	20,588	20,109
122,833	0,224	0,583	1,330	0,127	0,021	0,362	1,576	73,904	19,510	22,930	20,614	20,533	20,248	20,259	20,595	20,109
123,167	0,223	0,574	1,320	0,127	0,020	0,371	1,576	73,860	19,577	22,873	20,641	20,546	20,245	20,245	20,601	20,103
123,500	0,223	0,572	1,326	0,128	0,018	0,372	1,576	73,819	19,562	22,877	20,671	20,572	20,238	20,239	20,601	20,098
123,834	0,222	0,576	1,325	0,127	0,011	0,368	1,576	73,810	19,566	22,898	20,708	20,586	20,249	20,243	20,627	20,105
124,167	0,222	0,577	1,346	0,128	0,016	0,368	1,575	73,751	19,612	22,892	20,745	20,625	20,247	20,250	20,640	20,105
124,500	0,221	0,577	1,327	0,128	0,018	0,368	1,575	73,731	19,625	22,893	20,764	20,628	20,246	20,258	20,648	20,103
124,834	0,222	0,573	1,334	0,126	0,015	0,371	1,575	73,664	19,616	22,886	20,774	20,634	20,247	20,252	20,659	20,100
125,167	0,221	0,578	1,325	0,127	0,016	0,366	1,574	73,653	19,587	22,865	20,778	20,647	20,246	20,256	20,683	20,097
125,500	0,221	0,582	1,324	0,128	0,012	0,363	1,574	73,547	19,617	22,881	20,789	20,674	20,239	20,247	20,701	20,092
125,833	0,221	0,586	1,332	0,127	0,022	0,360	1,574	73,540	19,664	22,870	20,805	20,687	20,249	20,252	20,734	20,094
126,167	0,222	0,589	1,329	0,125	0,011	0,357	1,574	73,485	19,636	22,858	20,810	20,613	20,269	20,241	20,751	20,092
126,500	0,222	0,588	1,330	0,125	0,011	0,357	1,575	73,458	19,516	22,857	20,814	20,602	20,267	20,258	20,776	20,090
126,833	0,223	0,588	1,320	0,126	0,009	0,358	1,574	73,451	19,499	22,856	20,823	20,615	20,280	20,249	20,799	20,090
127,167	0,223	0,581	1,338	0,125	0,019	0,365	1,574	73,377	19,516	22,823	20,837	20,630	20,286	20,241	20,830	20,090
127,500	0,223	0,577	1,343	0,126	0,016	0,368	1,574	73,384	19,531	22,786	20,862	20,630	20,295	20,235	20,861	20,090
127,833	0,222	0,576	1,348	0,127	0,019	0,369	1,574	73,369	19,546	22,813	20,882	20,643	20,297	20,251	20,908	20,090
128,167	0,223	0,575	1,328	0,126	0,019	0,370	1,574	73,309	19,567	22,876	20,905	20,646	20,309	20,245	20,929	20,091
128,500	0,222	0,574	1,335	0,125	0,017	0,369	1,575	73,280	19,527	22,915	20,923	20,653	20,301	20,252	20,966	20,086
128,833	0,221	0,572	1,333	0,124	0,007	0,372	1,574	73,304	19,596	22,887	20,939	20,654	20,309	20,239	20,999	20,086
129,167	0,220	0,574	1,325	0,125	0,013	0,369	1,573	73,283	19,512	22,912	20,946	20,660	20,308	20,249	21,042	20,086
129,500	0,221	0,576	1,336	0,126	0,010	0,369	1,574	73,233	19,527	22,884	20,953	20,654	20,329	20,248	21,068	20,084
129,833	0,221	0,572	1,329	0,125	0,009	0,372	1,573	73,189	19,598	22,877	20,985	20,676	20,330	20,254	21,113	20,086
130,167	0,223	0,575	1,325	0,125	0,017	0,369	1,572	73,109	19,572	22,857	20,993	20,679	20,332	20,251	21,165	20,084
130,500	0,223	0,583	1,335	0,127	0,012	0,362	1,573	73,131	19,502	22,825	20,988	20,673	20,341	20,268	21,206	20,082
130,834	0,224	0,589	1,332	0,126	0,012	0,357	1,572	73,086	19,542	22,875	21,006	20,692	20,336	20,252	21,251	20,083
131,167	0,221	0,592	1,335	0,125	0,011	0,355	1,572	73,011	19,643	22,964	21,023	20,706	20,342	20,253	21,302	20,084
131,500	0,216	0,592	1,333	0,125	0,008	0,353	1,571	73,005	19,645	22,988	21,045	20,705	20,340	20,265	21,351	20,082
131,834	0,215	0,597	1,324	0,124	0,014	0,349	1,572	73,001	19,659	23,013	21,046	20,713	20,351	20,265	21,409	20,083
132,167	0,214	0,600	1,323	0,124	0,018	0,346	1,571	73,032	19,602	23,036	21,059	20,715	20,357	20,269	21,442	20,085
132,500	0,214	0,608	1,313	0,125	0,021	0,339	1,572	73,079	19,529	23,042	21,062	20,715	20,355	20,259	21,501	20,084
132,833	0,213	0,611	1,325	0,125	0,018	0,338	1,572	73,094	19,541	23,035	21,077	20,728	20,359	20,272	21,567	20,082
133,167	0,212	0,614	1,345	0,123	0,011	0,335	1,571	73,131	19,514	23,046	21,080	20,727	20,351	20,279	21,610	20,083
133,500	0,212	0,618	1,333	0,123	0,011	0,332	1,571	73,163	19,540	23,102	21,099	20,727	20,347	20,277	21,668	20,082
133,833	0,212	0,618	1,326	0,123	0,010	0,332	1,571	73,203	19,530	23,145	21,114	20,749	20,355	20,272	21,719	20,081
134,167	0,213	0,628	1,326	0,124	0,013	0,322	1,571	73,239	19,543	23,128	21,119	20,752	20,356	20,268	21,774	20,082
134,500	0,213	0,643	1,321	0,124	0,012	0,310	1,571	73,280	19,575	23,132	21,114	20,759	20,366	20,274	21,833	20,081

Pellematic 56_cat II_run 1_191211.Dat

Category: II

	1102	1103	1108	1109	130	230	101	102	1	2	3	6	7	8	11	
Mättid	T4 outlet load side	T3 inlet load side	T2 inlet boiler	T1 outlet boiler	Flow load side	Flow boiler side	Heat output load side	Heat output boiler	CO chimney	CO2 chimney	O2 chimney	Pstat	Pdyn	Tunnel velocity	Våg	Tidpunkt
Minuter	°C	°C	°C	°C	m³/h	m³/h	W	W	ppm	%	%	Pa	Pa	m/s	kg	Klockan
122,500	63,165	44,013	55,099	74,671	0,503	0,505	11079,171	11332,697	62,850	9,673	10,790	5,099	53,624	9,454	973,472	2019-12-11 12:54
122,833	63,137	44,030	55,086	74,617	0,503	0,505	11048,228	11309,542	61,676	9,538	10,875	5,085	53,036	9,402	973,473	2019-12-11 12:54
123,167	63,155	44,046	55,081	74,596	0,502	0,505	11043,674	11301,078	60,667	9,310	11,117	5,090	52,984	9,397	973,473	2019-12-11 12:55
123,500	63,170	44,052	55,069	74,574	0,503	0,505	11059,337	11291,529	60,158	9,323	11,149	5,102	52,912	9,391	973,472	2019-12-11 12:55
123,834	63,151	44,071	55,034	74,526	0,503	0,505	11035,364	11291,903	58,707	9,422	11,040	5,087	53,056	9,404	973,473	2019-12-11 12:55
124,167	63,401	44,080	55,013	74,471	0,503	0,506	11171,854	11279,568	56,460	9,450	11,027	5,103	54,062	9,492	973,348	2019-12-11 12:56
124,500	63,577	44,088	54,990	74,439	0,503	0,507	11273,889	11294,411	56,810	9,403	11,027	5,124	52,986	9,397	973,348	2019-12-11 12:56
124,834	63,498	44,104	54,843	74,384	0,503	0,507	11214,416	11350,453	57,943	9,307	11,126	5,059	53,432	9,437	973,473	2019-12-11 12:56
125,167	63,451	44,113	54,737	74,374	0,503	0,505	11192,659	11375,717	55,789	9,497	10,988	5,090	53,093	9,407	973,348	2019-12-11 12:57
125,500	63,407	44,113	54,672	74,334	0,503	0,505	11166,424	11383,667	55,202	9,568	10,891	5,111	52,884	9,388	973,348	2019-12-11 12:57
125,833	63,386	44,112	54,635	74,284	0,503	0,506	11150,809	11407,884	57,264	9,664	10,791	5,065	52,976	9,396	973,348	2019-12-11 12:57
126,167	63,281	44,111	54,618	74,245	0,504	0,506	11109,341	11378,565	58,653	9,734	10,720	5,003	53,287	9,424	973,348	2019-12-11 12:58
126,500	63,251	44,112	54,619	74,161	0,503	0,505	11083,395	11322,094	57,979	9,728	10,721	5,015	53,002	9,399	973,472	2019-12-11 12:58
126,833	63,229	44,102	54,613	74,118	0,504	0,506	11084,576	11310,651	61,840	9,672	10,751	5,033	52,647	9,367	973,348	2019-12-11 12:58
127,167	63,210	44,092	54,613	74,066	0,503	0,505	11059,567	11255,900	59,059	9,485	10,937	4,980	53,707	9,461	973,348	2019-12-11 12:59
127,500	63,162	44,081	54,592	74,049	0,503	0,505	11035,427	11271,370	59,742	9,392	11,047	5,045	53,842	9,473	973,441	2019-12-11 12:59
127,833	63,142	44,072	54,568	73,989	0,503	0,506	11039,623	11268,948	57,623	9,418	11,055	5,062	53,894	9,478	973,348	2019-12-11 12:59
128,167	63,106	44,057	54,560	73,940	0,503	0,505	11031,877	11229,322	59,477	9,379	11,097	5,040	53,113	9,409	973,348	2019-12-11 13:00
128,500	63,061	44,048	54,537	73,899	0,503	0,505	11003,152	11216,618	56,966	9,345	11,080	5,013	53,553	9,447	973,347	2019-12-11 13:00
128,833	63,042	44,044	54,507	73,837	0,503	0,505	10990,069	11188,024	55,114	9,304	11,158	4,974	53,279	9,423	973,347	2019-12-11 13:00
129,167	63,112	44,042	54,484	73,779	0,504	0,505	11057,395	11164,896	54,064	9,388	11,071	4,999	52,906	9,390	973,348	2019-12-11 13:01
129,500	63,073	44,047	54,433	73,720	0,503	0,505	11009,848	11168,346	53,780	9,374	11,058	5,050	53,895	9,478	973,348	2019-12-11 13:01
129,833	63,036	44,051	54,372	73,718	0,503	0,504	10989,015	11188,218	57,388	9,288	11,158	4,996	52,723	9,374	973,348	2019-12-11 13:01
130,167	63,521	44,064	54,332	73,674	0,502	0,504	11249,474	11184,913	59,655	9,406	11,069	5,005	53,159	9,413	973,252	2019-12-11 13:02
130,500	63,401	44,074	54,218	73,601	0,502	0,505	11172,100	11221,350	60,093	9,628	10,851	5,066	53,645	9,456	973,253	2019-12-11 13:02
130,834	63,335	44,082	54,075	73,539	0,502	0,505	11131,145	11264,262	61,926	9,745	10,717	5,031	52,969	9,396	973,253	2019-12-11 13:02
131,167	63,304	44,078	53,994	73,522	0,502	0,505	11108,924	11305,728	53,220	9,801	10,638	5,011	53,317	9,427	973,252	2019-12-11 13:03
131,500	63,253	44,068	53,957	73,467	0,503	0,505	11097,233	11295,420	42,117	9,833	10,601	5,017	53,482	9,441	973,253	2019-12-11 13:03
131,834	63,208	44,051	53,926	73,407	0,503	0,505	11087,071	11277,766	40,194	9,928	10,476	4,963	52,918	9,391	973,253	2019-12-11 13:03
132,167	63,166	44,023	53,891	73,375	0,503	0,504	11070,230	11265,529	37,680	10,050	10,370	4,954	52,830	9,384	973,159	2019-12-11 13:04
132,500	63,135	44,001	53,859	73,328	0,503	0,505	11066,998	11268,268	38,252	10,229	10,173	4,991	52,340	9,340	973,253	2019-12-11 13:04
132,833	63,088	43,983	53,836	73,264	0,502	0,506	11044,768	11274,447	34,229	10,274	10,132	4,999	53,185	9,415	973,252	2019-12-11 13:04
133,167	63,094	43,966	53,831	73,236	0,503	0,505	11065,106	11241,224	33,127	10,371	10,050	4,922	53,733	9,463	973,159	2019-12-11 13:05
133,500	63,096	43,967	53,796	73,192	0,503	0,505	11065,344	11234,219	32,207	10,436	9,954	4,915	53,308	9,426	973,159	2019-12-11 13:05
133,833	63,074	43,977	53,739	73,172	0,503	0,506	11054,391	11279,151	33,392	10,471	9,959	4,936	53,047	9,403	973,159	2019-12-11 13:05
134,167	63,041	43,987	53,716	73,163	0,503	0,506	11022,546	11285,916	35,231	10,790	9,670	4,951	52,714	9,373	973,159	2019-12-11 13:06
134,500	63,290	44,001	53,707	73,137	0,503	0,506	11174,177	11284,407	38,083	11,176	9,285	4,960	52,846	9,385	973,159	2019-12-11 13:06

Pellematic 56_cat II_run 1_191211.Dat

Category: II

	301	302	304	305	306	308	317	1311	1312	1313	1314	1315	1316	1317	1318	1101
Mättid	CO chimney	CO2 chimney	Pdyn	Pstat	Static pressure chimney	O2 chimney	Våg	Flue gas temp	Ambient	Flue gas at pitot	filter temp 1	filter temp 2	gas meter temp 1	gas meter temp 2	gasmeter temp ambient	
Minuter	VDC	VDC	VDC	VDC	VDC	VDC	VDC	°C	°C	°C	°C	°C	°C	°C	°C	°C
134,833	0,214	0,652	1,306	0,124	0,013	0,302	1,570	73,307	19,602	23,157	21,129	20,757	20,357	20,274	21,882	20,080
135,167	0,213	0,656	1,318	0,124	0,017	0,299	1,570	73,353	19,509	23,106	21,133	20,745	20,362	20,272	21,930	20,078
135,500	0,211	0,659	1,326	0,124	0,011	0,297	1,571	73,395	19,496	23,091	21,136	20,746	20,364	20,268	21,988	20,079
135,833	0,211	0,664	1,323	0,124	0,011	0,293	1,570	73,444	19,545	23,019	21,142	20,745	20,358	20,278	22,051	20,078
136,167	0,213	0,670	1,312	0,125	0,013	0,288	1,569	73,519	19,556	23,004	21,139	20,760	20,352	20,281	22,103	20,076
136,500	0,214	0,670	1,322	0,124	0,010	0,289	1,569	73,529	19,536	23,021	21,143	20,764	20,360	20,274	22,162	20,076
136,834	0,214	0,671	1,322	0,125	0,011	0,288	1,568	73,537	19,588	23,063	21,144	20,757	20,360	20,284	22,236	20,078
137,167	0,213	0,674	1,323	0,124	0,019	0,284	1,569	73,593	19,607	23,067	21,143	20,770	20,361	20,277	22,284	20,078
137,500	0,213	0,675	1,323	0,124	0,012	0,285	1,569	73,614	19,546	23,105	21,167	20,774	20,368	20,285	22,356	20,080
137,834	0,213	0,667	1,320	0,123	0,012	0,291	1,568	73,635	19,631	23,128	21,165	20,770	20,366	20,282	22,402	20,077
138,167	0,213	0,662	1,327	0,124	0,010	0,296	1,568	73,676	19,598	23,090	21,176	20,772	20,363	20,287	22,462	20,078
138,500	0,213	0,655	1,319	0,124	0,007	0,302	1,568	73,695	19,636	23,085	21,178	20,773	20,361	20,289	22,533	20,078
138,834	0,213	0,648	1,315	0,124	0,015	0,307	1,568	73,717	19,514	23,115	21,191	20,790	20,374	20,286	22,595	20,078
139,167	0,213	0,648	1,326	0,124	0,016	0,307	1,568	73,751	19,524	23,104	21,189	20,770	20,362	20,295	22,650	20,075
139,500	0,214	0,646	1,327	0,122	0,013	0,310	1,568	73,747	19,546	23,125	21,201	20,792	20,367	20,295	22,716	20,078
139,833	0,214	0,647	1,334	0,124	0,013	0,307	1,568	73,762	19,605	23,131	21,212	20,791	20,362	20,294	22,777	20,078
140,167	0,214	0,652	1,331	0,124	0,015	0,303	1,566	73,815	19,611	23,106	21,221	20,806	20,360	20,302	22,850	20,076
140,500	0,214	0,657	1,332	0,123	0,011	0,299	1,566	73,872	19,636	23,124	21,217	20,800	20,371	20,294	22,910	20,074
140,833	0,214	0,665	1,325	0,125	0,012	0,293	1,566	73,906	19,670	23,110	21,223	20,808	20,369	20,300	22,969	20,071
141,167	0,212	0,662	1,322	0,126	0,011	0,296	1,566	73,931	19,609	23,113	21,239	20,812	20,363	20,297	23,025	20,072
141,500	0,212	0,663	1,333	0,123	0,017	0,294	1,565	73,961	19,637	23,163	21,233	20,811	20,358	20,300	23,096	20,072
141,833	0,212	0,675	1,345	0,124	0,020	0,284	1,565	73,984	19,700	23,154	21,249	20,825	20,364	20,307	23,157	20,070
142,167	0,211	0,679	1,334	0,124	0,012	0,281	1,563	73,968	19,606	23,144	21,241	20,820	20,372	20,298	23,228	20,069
142,500	0,212	0,685	1,341	0,125	0,018	0,276	1,563	73,998	19,575	23,085	21,247	20,839	20,363	20,311	23,301	20,072
142,833	0,212	0,694	1,348	0,124	0,011	0,269	1,563	74,054	19,632	23,066	21,251	20,849	20,382	20,309	23,353	20,072
143,167	0,212	0,695	1,344	0,124	0,022	0,268	1,563	74,057	19,705	23,110	21,257	20,854	20,385	20,315	23,413	20,071
143,500	0,212	0,697	1,344	0,124	0,022	0,266	1,564	74,108	19,690	23,135	21,263	20,862	20,397	20,317	23,473	20,076
143,834	0,212	0,697	1,334	0,123	0,011	0,267	1,562	74,128	19,714	23,111	21,279	20,866	20,399	20,324	23,534	20,074
144,167	0,212	0,685	1,331	0,124	0,014	0,277	1,563	74,191	19,694	23,170	21,273	20,863	20,393	20,322	23,594	20,072
144,500	0,212	0,688	1,335	0,123	0,018	0,272	1,561	74,488	19,644	23,462	21,307	20,890	20,402	20,334	23,650	20,076
144,834	0,207	0,678	1,343	0,125	0,011	0,281	1,563	74,833	19,673	23,566	21,329	20,890	20,397	20,327	23,719	20,075
145,167	0,205	0,687	1,340	0,123	0,014	0,271	1,563	74,987	19,617	23,638	21,342	20,894	20,400	20,333	23,781	20,076
145,500	0,204	0,688	1,337	0,125	0,022	0,272	1,561	75,166	19,669	23,743	21,366	20,923	20,403	20,332	23,846	20,076
145,834	0,204	0,683	1,335	0,124	0,021	0,275	1,561	75,372	19,612	23,747	21,378	20,922	20,408	20,334	23,906	20,077
146,167	0,206	0,696	1,341	0,124	0,015	0,265	1,560	75,527	19,668	23,740	21,392	20,923	20,411	20,335	23,958	20,075
146,500	0,206	0,702	1,337	0,125	0,019	0,261	1,559	75,676	19,568	23,781	21,401	20,957	20,412	20,336	24,020	20,080
146,833	0,206	0,705	1,335	0,124	0,021	0,258	1,559	75,848	19,642	23,825	21,416	20,954	20,405	20,347	24,087	20,079

Pellematic 56_cat II_run 1_191211.Dat

Category: II

	1102	1103	1108	1109	130	230	101	102	1	2	3	6	7	8	11	
Mättid	T4 outlet load side	T3 inlet load side	T2 inlet boiler	T1 outlet boiler	Flow load side	Flow boiler side	Heat output load side	Heat output boiler	CO chimney	CO2 chimney	O2 chimney	Pstat	Pdyn	Tunnel velocity	Våg	Tidpunkt
Minuter	°C	°C	°C	°C	m³/h	m³/h	W	W	ppm	%	%	Pa	Pa	m/s	kg	Klockan
134,833	63,444	44,009	53,672	73,123	0,503	0,504	11240,440	11247,030	37,896	11,336	9,071	4,973	52,425	9,347	973,065	2019-12-11 13:06
135,167	63,354	44,019	53,505	73,145	0,503	0,506	11185,693	11406,549	34,391	11,459	8,958	4,974	52,729	9,374	973,071	2019-12-11 13:07
135,500	63,340	44,016	53,419	73,113	0,503	0,506	11195,236	11431,251	31,032	11,509	8,909	4,973	53,092	9,407	973,160	2019-12-11 13:07
135,833	63,321	44,010	53,385	73,123	0,503	0,504	11169,365	11416,066	32,881	11,652	8,801	4,977	52,901	9,390	973,159	2019-12-11 13:07
136,167	63,303	43,995	53,351	73,145	0,503	0,505	11182,814	11465,307	36,983	11,756	8,648	4,994	52,504	9,355	973,065	2019-12-11 13:08
136,500	63,293	43,986	53,320	73,123	0,503	0,506	11173,629	11494,148	38,261	11,741	8,658	4,978	52,754	9,377	973,065	2019-12-11 13:08
136,834	63,305	43,989	53,331	73,145	0,503	0,506	11184,844	11489,423	38,507	11,793	8,632	5,010	52,778	9,379	972,974	2019-12-11 13:08
137,167	63,288	44,005	53,333	73,168	0,503	0,506	11168,706	11499,993	36,495	11,876	8,528	4,956	53,063	9,404	973,065	2019-12-11 13:09
137,500	63,296	44,034	53,321	73,143	0,503	0,504	11151,374	11464,814	35,152	11,818	8,541	4,946	53,065	9,404	973,065	2019-12-11 13:09
137,834	63,327	44,068	53,311	73,166	0,502	0,504	11131,304	11485,174	35,227	11,643	8,743	4,937	53,081	9,406	972,973	2019-12-11 13:09
138,167	63,331	44,107	53,313	73,203	0,503	0,504	11123,757	11508,632	34,828	11,529	8,868	4,970	52,870	9,387	972,973	2019-12-11 13:10
138,500	63,356	44,144	53,333	73,198	0,503	0,506	11113,491	11521,901	35,908	11,305	9,065	4,970	52,776	9,379	972,974	2019-12-11 13:10
138,834	63,376	44,162	53,366	73,227	0,503	0,505	11122,302	11500,032	34,796	11,180	9,223	4,940	52,721	9,374	972,973	2019-12-11 13:10
139,167	63,384	44,173	53,389	73,238	0,503	0,504	11128,530	11484,472	36,830	11,229	9,210	4,956	52,964	9,395	972,973	2019-12-11 13:11
139,500	63,376	44,169	53,398	73,264	0,503	0,504	11108,633	11492,651	38,352	11,141	9,286	4,899	53,012	9,400	972,973	2019-12-11 13:11
139,833	63,394	44,148	53,410	73,249	0,503	0,504	11138,595	11474,849	38,500	11,218	9,224	4,952	53,605	9,452	972,973	2019-12-11 13:11
140,167	63,341	44,122	53,415	73,264	0,503	0,504	11128,665	11471,010	36,829	11,310	9,091	4,948	53,056	9,404	972,852	2019-12-11 13:12
140,500	63,310	44,096	53,419	73,277	0,503	0,504	11124,227	11487,222	38,078	11,478	8,976	4,917	53,164	9,413	972,847	2019-12-11 13:12
140,833	63,322	44,065	53,431	73,284	0,503	0,504	11148,633	11478,866	37,834	11,626	8,790	5,004	52,692	9,371	972,847	2019-12-11 13:12
141,167	63,332	44,041	53,441	73,291	0,503	0,504	11155,074	11474,976	32,133	11,517	8,875	5,022	52,975	9,396	972,846	2019-12-11 13:13
141,500	63,331	44,020	53,435	73,286	0,503	0,504	11168,888	11482,975	33,217	11,645	8,826	4,920	53,631	9,454	972,847	2019-12-11 13:13
141,833	63,327	44,003	53,431	73,315	0,503	0,504	11180,830	11489,463	33,637	11,941	8,521	4,963	53,883	9,477	972,753	2019-12-11 13:13
142,167	63,323	43,995	53,422	73,333	0,503	0,504	11196,345	11513,913	30,286	11,929	8,430	4,946	53,200	9,416	972,759	2019-12-11 13:14
142,500	63,331	43,995	53,407	73,373	0,503	0,504	11192,145	11545,425	32,289	12,195	8,271	5,013	53,759	9,466	972,659	2019-12-11 13:14
142,833	63,337	43,999	53,401	73,396	0,503	0,504	11185,504	11552,462	33,463	12,407	8,057	4,951	54,116	9,497	972,752	2019-12-11 13:14
143,167	63,362	44,010	53,406	73,413	0,503	0,504	11197,540	11568,543	34,141	12,365	8,041	4,957	53,526	9,445	972,752	2019-12-11 13:15
143,500	63,377	44,026	53,418	73,420	0,503	0,504	11200,070	11565,924	31,965	12,435	7,966	4,954	53,854	9,474	972,752	2019-12-11 13:15
143,834	63,395	44,038	53,423	73,457	0,502	0,504	11190,377	11584,561	33,291	12,373	8,012	4,927	53,232	9,419	972,565	2019-12-11 13:15
144,167	62,902	44,050	53,437	73,481	0,503	0,504	10902,020	11591,263	33,214	12,080	8,301	4,963	53,155	9,412	972,659	2019-12-11 13:16
144,500	63,000	44,058	53,529	73,504	0,502	0,505	10950,899	11558,049	31,998	12,272	8,169	4,909	53,446	9,438	972,565	2019-12-11 13:16
144,834	63,074	44,064	53,695	73,544	0,503	0,504	10997,027	11479,682	16,863	11,896	8,436	4,992	54,028	9,489	972,658	2019-12-11 13:16
145,167	63,098	44,059	53,786	73,586	0,503	0,504	11009,988	11451,411	15,011	12,242	8,145	4,934	53,454	9,439	972,659	2019-12-11 13:17
145,500	63,114	44,055	53,831	73,611	0,502	0,504	11020,418	11434,773	13,657	12,141	8,154	5,018	53,637	9,455	972,565	2019-12-11 13:17
145,834	63,139	44,057	53,857	73,705	0,503	0,505	11040,725	11487,758	14,834	12,106	8,260	4,962	53,356	9,430	972,565	2019-12-11 13:17
146,167	63,165	44,060	53,875	73,737	0,503	0,504	11059,484	11485,461	18,777	12,461	7,944	4,975	53,800	9,469	972,474	2019-12-11 13:18
146,500	63,290	44,066	53,894	73,806	0,504	0,504	11139,901	11516,550	18,189	12,554	7,821	4,993	53,334	9,428	972,348	2019-12-11 13:18
146,833	63,290	44,072	53,883	73,877	0,503	0,504	11124,262	11559,700	18,246	12,640	7,745	4,947	53,509	9,444	972,347	2019-12-11 13:18

Pellematic 56_cat II_run 1_191211.Dat

Category: II

	301	302	304	305	306	308	317	1311	1312	1313	1314	1315	1316	1317	1318	1101
Mättid	CO chimney	CO2 chimney	Pdyn	Pstat	Static pressure chimney	O2 chimney	Våg	Flue gas temp	Ambient	Flue gas at pitot	filter temp 1	filter temp 2	gas meter temp 1	gas meter temp 2	gasmeter temp ambient	
Minuter	VDC	VDC	VDC	VDC	VDC	VDC	VDC	°C	°C	°C	°C	°C	°C	°C	°C	°C
147,167	0,206	0,703	1,330	0,124	0,020	0,260	1,560	75,992	19,694	23,800	21,428	20,968	20,408	20,342	24,143	20,080
147,500	0,204	0,694	1,312	0,124	0,011	0,268	1,558	76,162	19,692	23,841	21,437	20,968	20,410	20,344	24,207	20,082
147,833	0,204	0,692	1,336	0,123	0,018	0,271	1,557	76,275	19,700	23,790	21,436	20,963	20,410	20,337	24,262	20,075
148,167	0,204	0,679	1,313	0,125	0,013	0,282	1,557	76,394	19,712	23,846	21,449	20,989	20,407	20,343	24,321	20,076
148,500	0,204	0,670	1,308	0,126	0,016	0,289	1,557	76,548	19,711	23,801	21,460	20,996	20,421	20,351	24,381	20,082
148,833	0,203	0,675	1,321	0,127	0,018	0,283	1,555	76,717	19,716	23,841	21,469	20,998	20,413	20,353	24,437	20,081
149,167	0,204	0,680	1,332	0,128	0,011	0,280	1,556	76,661	19,762	23,548	21,464	20,982	20,415	20,354	24,501	20,084
149,500	0,210	0,701	1,328	0,127	0,018	0,261	1,555	76,505	19,780	23,396	21,441	20,985	20,415	20,359	24,553	20,081
149,833	0,216	0,704	1,322	0,127	0,015	0,263	1,555	76,417	19,766	23,352	21,442	20,994	20,418	20,363	24,622	20,086
150,167	0,214	0,688	1,330	0,128	0,015	0,276	1,555	76,327	19,768	23,175	21,421	20,992	20,419	20,359	24,682	20,085
150,500	0,211	0,682	1,333	0,130	0,018	0,282	1,555	76,261	19,856	23,149	21,413	20,986	20,418	20,366	24,743	20,086
150,834	0,211	0,672	1,323	0,128	0,011	0,291	1,555	76,229	19,774	23,134	21,403	20,965	20,412	20,365	24,810	20,084
151,167	0,212	0,667	1,335	0,129	0,015	0,293	1,553	76,531	19,774	23,524	21,438	20,986	20,425	20,366	24,866	20,088
151,500	0,206	0,649	1,325	0,127	0,015	0,309	1,553	76,790	19,785	23,734	21,452	21,000	20,424	20,365	24,923	20,084
151,834	0,203	0,656	1,323	0,125	0,010	0,298	1,552	76,722	19,790	23,455	21,443	20,997	20,421	20,365	24,981	20,088
152,167	0,209	0,687	1,323	0,127	0,014	0,273	1,553	76,615	19,796	23,368	21,440	20,987	20,427	20,372	25,040	20,088
152,500	0,211	0,685	1,313	0,128	0,012	0,278	1,552	76,490	19,785	23,337	21,430	21,000	20,425	20,379	25,103	20,091
152,833	0,212	0,685	1,320	0,128	0,010	0,278	1,552	76,369	19,790	23,152	21,431	20,980	20,427	20,377	25,147	20,097
153,167	0,224	0,699	1,319	0,128	0,015	0,267	1,552	76,337	19,789	23,136	21,421	20,973	20,428	20,386	25,199	20,099
153,500	0,216	0,688	1,322	0,128	0,016	0,277	1,551	76,292	19,760	23,133	21,407	20,960	20,424	20,395	25,258	20,099
153,833	0,211	0,687	1,329	0,130	0,017	0,277	1,551	76,289	19,779	23,146	21,384	20,948	20,417	20,393	25,302	20,100
154,167	0,212	0,691	1,335	0,129	0,013	0,273	1,550	76,242	19,704	23,121	21,377	20,947	20,422	20,398	25,338	20,101
154,500	0,212	0,693	1,335	0,129	0,015	0,271	1,550	76,264	19,796	23,080	21,371	20,948	20,426	20,386	25,363	20,101
154,833	0,211	0,686	1,334	0,129	0,016	0,278	1,550	76,255	19,835	23,047	21,362	20,929	20,421	20,405	25,411	20,103
155,167	0,211	0,682	1,331	0,130	0,016	0,281	1,550	76,274	19,883	23,075	21,360	20,939	20,427	20,394	25,442	20,107
155,500	0,211	0,680	1,330	0,129	0,015	0,282	1,549	76,294	19,832	23,050	21,356	20,929	20,413	20,404	25,504	20,106
155,833	0,212	0,682	1,331	0,128	0,019	0,280	1,548	76,293	19,827	22,990	21,348	20,931	20,411	20,395	25,547	20,105
156,167	0,213	0,686	1,338	0,128	0,014	0,277	1,548	76,305	19,852	22,961	21,343	20,925	20,420	20,405	25,610	20,111
156,500	0,212	0,685	1,319	0,130	0,017	0,278	1,548	76,321	19,841	22,967	21,335	20,919	20,417	20,404	25,656	20,109
156,833	0,213	0,679	1,324	0,129	0,020	0,283	1,548	76,299	19,890	22,829	21,330	20,923	20,412	20,413	25,718	20,111
157,167	0,213	0,679	1,340	0,128	0,009	0,283	1,547	76,316	19,847	22,894	21,328	20,905	20,414	20,409	25,770	20,111
157,500	0,213	0,680	1,336	0,127	0,018	0,282	1,547	76,331	19,907	22,999	21,323	20,913	20,409	20,409	25,818	20,111
157,834	0,213	0,680	1,332	0,128	0,010	0,282	1,547	76,297	19,936	22,906	21,336	20,933	20,429	20,422	25,871	20,123
158,167	0,214	0,678	1,330	0,129	0,017	0,283	1,547	76,292	19,962	22,968	21,321	20,931	20,423	20,408	25,921	20,117
158,500	0,213	0,673	1,334	0,130	0,015	0,287	1,547	76,262	19,947	22,839	21,328	20,918	20,416	20,408	25,974	20,113
158,834	0,211	0,666	1,315	0,129	0,019	0,294	1,546	76,274	19,935	22,906	21,316	20,927	20,422	20,422	26,018	20,121
159,167	0,212	0,671	1,319	0,127	0,017	0,288	1,545	76,309	19,932	22,965	21,329	20,927	20,415	20,423	26,070	20,122

Pellematic 56_cat II_run 1_191211.Dat

Category: II

	1102	1103	1108	1109	130	230	101	102	1	2	3	6	7	8	11	
Mättid	T4 outlet load side	T3 inlet load side	T2 inlet boiler	T1 outlet boiler	Flow load side	Flow boiler side	Heat output load side	Heat output boiler	CO chimney	CO2 chimney	O2 chimney	Pstat	Pdyn	Tunnel velocity	Våg	Tidpunkt
Minuter	°C	°C	°C	°C	m³/h	m³/h	W	W	ppm	%	%	Pa	Pa	m/s	kg	Klockan
147,167	63,351	44,084	53,884	73,991	0,503	0,504	11158,105	11625,870	16,093	12,551	7,813	4,954	53,008	9,399	972,474	2019-12-11 13:19
147,500	63,395	44,098	53,894	74,102	0,503	0,505	11178,779	11693,281	13,917	12,347	8,037	4,957	52,478	9,352	972,347	2019-12-11 13:19
147,833	63,455	44,115	53,914	74,202	0,503	0,504	11201,570	11735,390	14,413	12,253	8,117	4,925	53,279	9,423	972,252	2019-12-11 13:19
148,167	63,513	44,133	53,943	74,336	0,503	0,505	11215,653	11800,029	12,903	11,864	8,454	4,983	52,465	9,351	972,253	2019-12-11 13:20
148,500	63,597	44,143	53,977	74,436	0,503	0,504	11265,627	11835,508	11,978	11,762	8,660	5,052	52,283	9,335	972,253	2019-12-11 13:20
148,833	63,578	44,142	54,022	74,556	0,503	0,505	11252,228	11879,864	10,472	11,909	8,485	5,066	53,129	9,410	972,159	2019-12-11 13:20
149,167	63,397	44,138	54,077	74,710	0,503	0,504	11154,415	11934,287	13,231	12,047	8,397	5,124	53,323	9,427	972,252	2019-12-11 13:21
149,500	63,251	44,122	54,158	74,818	0,503	0,505	11074,073	11952,823	39,663	12,758	7,822	5,080	53,064	9,404	972,158	2019-12-11 13:21
149,833	63,390	44,105	54,362	74,917	0,503	0,505	11166,999	11894,380	42,948	12,464	7,893	5,077	52,710	9,373	972,159	2019-12-11 13:21
150,167	63,478	44,081	54,527	75,075	0,503	0,504	11231,519	11878,182	35,060	12,156	8,289	5,114	53,518	9,444	972,159	2019-12-11 13:22
150,500	63,547	44,062	54,619	75,153	0,503	0,505	11281,670	11877,125	30,447	11,990	8,466	5,216	53,289	9,424	972,159	2019-12-11 13:22
150,834	63,090	44,053	54,674	75,254	0,503	0,505	11021,296	11903,888	31,451	11,718	8,724	5,128	52,884	9,388	972,159	2019-12-11 13:22
151,167	63,212	44,048	54,809	75,342	0,504	0,505	11102,802	11881,233	32,492	11,703	8,800	5,159	53,592	9,451	972,064	2019-12-11 13:23
151,500	63,315	44,052	54,996	75,429	0,504	0,505	11164,617	11830,188	15,003	11,165	9,260	5,083	52,721	9,374	972,065	2019-12-11 13:23
151,834	63,382	44,054	55,121	75,498	0,503	0,505	11197,236	11793,243	11,557	11,506	8,944	5,009	52,999	9,398	972,065	2019-12-11 13:23
152,167	63,441	44,057	55,200	75,587	0,503	0,505	11223,858	11802,560	30,941	12,320	8,184	5,080	52,693	9,371	972,065	2019-12-11 13:24
152,500	63,504	44,058	55,262	75,645	0,504	0,507	11267,424	11844,165	31,702	12,088	8,353	5,121	52,504	9,355	971,973	2019-12-11 13:24
152,833	63,557	44,066	55,324	75,706	0,504	0,506	11296,343	11825,197	35,881	12,171	8,329	5,126	52,954	9,394	971,973	2019-12-11 13:24
153,167	63,337	44,070	55,367	75,757	0,503	0,505	11154,774	11809,296	67,577	12,446	8,000	5,106	52,520	9,356	971,973	2019-12-11 13:25
153,500	63,089	44,079	55,412	75,834	0,504	0,505	11019,763	11825,298	34,619	12,173	8,311	5,107	52,985	9,397	971,847	2019-12-11 13:25
153,833	63,188	44,086	55,584	75,860	0,504	0,505	11072,751	11739,424	31,612	12,205	8,301	5,204	53,061	9,404	971,847	2019-12-11 13:25
154,167	63,266	44,090	55,753	75,912	0,503	0,505	11099,276	11670,355	32,877	12,290	8,177	5,173	53,715	9,462	971,847	2019-12-11 13:26
154,500	63,297	44,093	55,849	75,956	0,503	0,505	11118,522	11643,906	31,537	12,290	8,144	5,143	53,213	9,417	971,848	2019-12-11 13:26
154,833	63,331	44,098	55,911	76,019	0,504	0,504	11153,279	11601,414	29,524	12,138	8,332	5,141	53,114	9,409	971,847	2019-12-11 13:26
155,167	63,353	44,099	55,927	76,082	0,504	0,505	11164,344	11672,575	29,688	12,025	8,421	5,185	53,315	9,426	971,848	2019-12-11 13:27
155,500	63,383	44,096	55,961	76,121	0,504	0,505	11187,964	11658,070	31,038	12,023	8,465	5,176	53,249	9,421	971,754	2019-12-11 13:27
155,833	63,407	44,095	55,984	76,144	0,504	0,505	11191,565	11663,176	34,141	12,066	8,396	5,121	53,224	9,418	971,753	2019-12-11 13:27
156,167	63,453	44,090	56,012	76,205	0,504	0,506	11218,816	11702,247	35,234	12,172	8,308	5,139	53,371	9,431	971,753	2019-12-11 13:28
156,500	63,479	44,088	56,043	76,250	0,503	0,505	11231,520	11693,052	33,557	12,050	8,344	5,196	52,789	9,380	971,753	2019-12-11 13:28
156,833	63,492	44,084	56,066	76,259	0,503	0,505	11243,762	11680,075	35,906	11,978	8,488	5,149	52,854	9,386	971,753	2019-12-11 13:28
157,167	62,948	44,076	56,086	76,339	0,504	0,506	10938,001	11731,534	34,982	11,962	8,495	5,129	53,631	9,454	971,660	2019-12-11 13:29
157,500	63,029	44,070	56,246	76,376	0,504	0,506	10986,356	11663,908	35,142	11,995	8,459	5,093	53,484	9,441	971,660	2019-12-11 13:29
157,834	63,122	44,072	56,439	76,413	0,503	0,506	11032,795	11576,041	38,170	12,000	8,461	5,104	53,264	9,422	971,660	2019-12-11 13:29
158,167	63,187	44,068	56,539	76,469	0,504	0,506	11076,808	11541,150	37,914	11,949	8,491	5,140	53,066	9,404	971,660	2019-12-11 13:30
158,500	63,221	44,070	56,570	76,485	0,503	0,506	11082,838	11536,690	34,914	11,759	8,624	5,190	53,281	9,423	971,660	2019-12-11 13:30
158,834	63,264	44,069	56,585	76,594	0,504	0,506	11122,763	11596,952	30,867	11,658	8,807	5,162	52,466	9,351	971,659	2019-12-11 13:30
159,167	63,281	44,062	56,605	76,604	0,504	0,506	11145,169	11580,955	33,973	11,815	8,652	5,068	53,016	9,400	971,566	2019-12-11 13:31

Pellematic 56_cat II_run 1_191211.Dat

Category: II

	301	302	304	305	306	308	317	1311	1312	1313	1314	1315	1316	1317	1318	1101
Mättid	CO chimney	CO2 chimney	Pdyn	Pstat	Static pressure chimney	O2 chimney	Våg	Flue gas temp	Ambient	Flue gas at pitot	filter temp 1	filter temp 2	gas meter temp 1	gas meter temp 2	gasmeter temp ambient	
Minuter	VDC	VDC	VDC	VDC	VDC	VDC	VDC	°C	°C	°C	°C	°C	°C	°C	°C	°C
159,500	0,213	0,678	1,336	0,129	0,013	0,283	1,545	76,318	20,003	22,956	21,335	20,932	20,416	20,431	26,117	20,126
159,833	0,213	0,673	1,318	0,130	0,009	0,289	1,545	76,328	19,940	22,852	21,329	20,936	20,426	20,429	26,173	20,132
160,167	0,211	0,660	1,310	0,129	0,014	0,300	1,545	76,330	19,987	22,919	21,330	20,927	20,424	20,435	26,223	20,129
160,500	0,211	0,656	1,313	0,130	0,018	0,302	1,545	76,321	19,923	22,840	21,323	20,922	20,422	20,437	26,282	20,129
160,833	0,213	0,653	1,310	0,129	0,015	0,305	1,544	76,320	19,957	22,768	21,320	20,892	20,419	20,435	26,322	20,128
161,167	0,213	0,642	1,333	0,129	0,015	0,314	1,544	76,331	20,039	22,863	21,315	20,914	20,417	20,435	26,361	20,132
161,500	0,215	0,634	1,345	0,131	0,012	0,320	1,544	76,326	20,053	22,869	21,337	20,933	20,432	20,434	26,394	20,131
161,833	0,214	0,627	1,327	0,131	0,016	0,327	1,544	76,340	20,110	22,906	21,341	20,945	20,437	20,441	26,458	20,138
162,167	0,213	0,622	1,333	0,131	0,013	0,330	1,543	76,336	20,137	22,882	21,349	20,947	20,444	20,446	26,505	20,141
162,500	0,212	0,620	1,325	0,132	0,018	0,332	1,544	76,342	20,067	22,873	21,347	20,944	20,436	20,444	26,525	20,136
162,833	0,212	0,621	1,316	0,132	0,011	0,331	1,543	76,331	20,114	22,677	21,336	20,932	20,443	20,442	26,584	20,140
163,167	0,213	0,623	1,329	0,131	0,020	0,328	1,542	76,317	20,072	22,677	21,344	20,945	20,455	20,457	26,635	20,147
163,500	0,222	0,632	1,333	0,133	0,018	0,323	1,542	76,340	19,972	22,652	21,329	20,931	20,450	20,458	26,676	20,149
163,833	0,225	0,626	1,330	0,131	0,020	0,329	1,542	76,326	20,085	22,703	21,329	20,919	20,461	20,455	26,712	20,148
164,167	0,223	0,622	1,319	0,132	0,023	0,331	1,542	76,353	20,096	22,619	21,318	20,904	20,453	20,461	26,759	20,149
164,500	0,223	0,616	1,318	0,132	0,013	0,336	1,541	76,299	20,105	22,691	21,310	20,893	20,444	20,463	26,808	20,153
164,834	0,222	0,607	1,334	0,129	0,010	0,345	1,542	76,299	20,123	22,749	21,327	20,914	20,446	20,469	26,847	20,151
165,167	0,220	0,593	1,328	0,130	0,014	0,356	1,542	76,292	20,120	22,745	21,319	20,918	20,455	20,473	26,889	20,157
165,500	0,219	0,582	1,333	0,132	0,016	0,365	1,542	76,193	20,105	22,738	21,326	20,922	20,461	20,481	26,930	20,163
165,834	0,218	0,578	1,328	0,133	0,018	0,368	1,540	76,113	20,095	22,591	21,320	20,913	20,469	20,484	26,966	20,165
166,167	0,218	0,576	1,343	0,133	0,018	0,369	1,541	76,108	20,089	22,559	21,308	20,909	20,460	20,486	27,003	20,167
166,500	0,218	0,575	1,338	0,132	0,011	0,371	1,541	76,067	20,103	22,663	21,301	20,894	20,452	20,469	27,030	20,162
166,833	0,218	0,572	1,335	0,133	0,015	0,373	1,540	76,038	20,149	22,598	21,306	20,918	20,463	20,486	27,080	20,170
167,167	0,218	0,575	1,322	0,131	0,015	0,369	1,540	75,977	20,127	22,671	21,319	20,920	20,466	20,485	27,112	20,172
167,500	0,220	0,577	1,330	0,129	0,010	0,368	1,540	75,911	20,112	22,713	21,318	20,919	20,462	20,486	27,153	20,174
167,833	0,222	0,581	1,319	0,129	0,014	0,365	1,539	75,811	20,104	22,737	21,326	20,911	20,460	20,494	27,180	20,173
168,167	0,225	0,585	1,328	0,130	0,022	0,361	1,540	75,737	20,107	22,756	21,333	20,927	20,470	20,500	27,226	20,185
168,500	0,220	0,585	1,336	0,131	0,018	0,360	1,540	75,657	20,143	22,740	21,332	20,919	20,467	20,502	27,268	20,186
168,833	0,216	0,586	1,322	0,132	0,016	0,359	1,540	75,594	20,163	22,764	21,329	20,923	20,463	20,487	27,290	20,181
169,167	0,216	0,590	1,332	0,129	0,015	0,355	1,539	75,642	20,171	22,751	21,323	20,924	20,474	20,506	27,329	20,185
169,500	0,222	0,599	1,330	0,130	0,016	0,348	1,539	75,644	20,201	22,766	21,334	20,919	20,463	20,506	27,364	20,186
169,833	0,222	0,590	1,327	0,129	0,015	0,359	1,539	75,656	20,202	22,755	21,338	20,906	20,478	20,519	27,392	20,189
170,167	0,224	0,581	1,333	0,130	0,018	0,365	1,538	75,667	20,230	22,780	21,341	20,902	20,475	20,513	27,441	20,197
170,500	0,224	0,580	1,329	0,131	0,023	0,366	1,539	75,609	20,163	22,712	21,329	20,912	20,458	20,512	27,460	20,191
170,834	0,220	0,578	1,321	0,130	0,020	0,367	1,539	75,520	20,126	22,911	21,347	20,928	20,465	20,516	27,498	20,200
171,167	0,217	0,575	1,340	0,131	0,016	0,370	1,539	75,456	20,077	22,903	21,346	20,932	20,481	20,507	27,531	20,198
171,500	0,216	0,580	1,321	0,130	0,016	0,365	1,539	75,445	20,087	22,932	21,362	20,920	20,467	20,512	27,553	20,197

Pellematic 56_cat II_run 1_191211.Dat

Category: II

	1102	1103	1108	1109	130	230	101	102	1	2	3	6	7	8	11	
Mättid	T4 outlet load side	T3 inlet load side	T2 inlet boiler	T1 outlet boiler	Flow load side	Flow boiler side	Heat output load side	Heat output boiler	CO chimney	CO2 chimney	O2 chimney	Pstat	Pdyn	Tunnel velocity	Våg	Tidpunkt
Minuter	°C	°C	°C	°C	m³/h	m³/h	W	W	ppm	%	%	Pa	Pa	m/s	kg	Klockan
159,500	63,322	44,049	56,595	76,641	0,503	0,506	11164,304	11613,557	36,744	11,930	8,499	5,141	53,265	9,422	971,566	2019-12-11 13:31
159,833	63,330	44,020	56,629	76,717	0,503	0,506	11173,014	11631,855	34,440	11,738	8,673	5,217	52,466	9,351	971,566	2019-12-11 13:31
160,167	63,353	43,987	56,650	76,749	0,504	0,506	11224,431	11647,976	30,279	11,426	8,993	5,168	52,614	9,364	971,566	2019-12-11 13:32
160,500	63,353	43,953	56,656	76,789	0,504	0,506	11243,282	11663,918	31,868	11,407	9,052	5,202	52,209	9,328	971,566	2019-12-11 13:32
160,833	63,356	43,912	56,658	76,824	0,504	0,506	11269,542	11683,609	35,899	11,261	9,139	5,153	52,549	9,358	971,475	2019-12-11 13:32
161,167	63,366	43,879	56,655	76,839	0,504	0,506	11290,855	11694,441	36,322	10,979	9,417	5,175	53,292	9,424	971,566	2019-12-11 13:33
161,500	63,389	43,853	56,656	76,910	0,503	0,506	11316,501	11728,597	40,602	10,818	9,611	5,228	53,619	9,453	971,474	2019-12-11 13:33
161,833	63,398	43,844	56,651	76,942	0,503	0,504	11329,169	11726,190	37,072	10,605	9,805	5,255	52,976	9,396	971,475	2019-12-11 13:33
162,167	63,429	43,852	56,641	76,953	0,503	0,506	11331,866	11762,058	34,561	10,547	9,887	5,244	53,327	9,427	971,345	2019-12-11 13:34
162,500	63,464	43,868	56,652	77,002	0,503	0,505	11336,172	11777,528	33,722	10,470	9,956	5,268	52,932	9,393	971,475	2019-12-11 13:34
162,833	63,487	43,897	56,676	77,022	0,504	0,506	11350,789	11784,763	31,121	10,558	9,920	5,295	52,533	9,357	971,475	2019-12-11 13:34
163,167	63,444	43,934	56,694	77,069	0,504	0,505	11304,382	11776,142	38,040	10,582	9,850	5,229	53,352	9,430	971,346	2019-12-11 13:35
163,500	63,443	43,973	56,707	77,115	0,503	0,506	11277,702	11825,234	62,243	10,768	9,675	5,304	53,366	9,431	971,345	2019-12-11 13:35
163,833	63,472	44,013	56,776	77,062	0,503	0,505	11259,836	11733,361	66,620	10,616	9,858	5,258	53,047	9,403	971,346	2019-12-11 13:35
164,167	62,896	44,043	56,834	77,122	0,503	0,506	10917,887	11749,926	58,979	10,537	9,935	5,261	52,664	9,369	971,346	2019-12-11 13:36
164,500	62,979	44,067	57,025	77,126	0,503	0,506	10950,561	11651,923	60,315	10,360	10,089	5,272	52,737	9,375	971,345	2019-12-11 13:36
164,834	63,078	44,082	57,263	77,132	0,503	0,506	10986,460	11518,260	58,638	10,080	10,356	5,167	53,129	9,410	971,345	2019-12-11 13:36
165,167	63,160	44,092	57,383	77,149	0,503	0,505	11045,335	11424,697	52,506	9,761	10,679	5,195	52,850	9,385	971,345	2019-12-11 13:37
165,500	63,170	44,086	57,399	77,160	0,504	0,506	11055,998	11444,861	50,496	9,479	10,955	5,263	53,573	9,449	971,345	2019-12-11 13:37
165,834	63,136	44,077	57,404	77,119	0,503	0,506	11031,059	11412,700	47,479	9,416	11,055	5,309	53,092	9,407	971,250	2019-12-11 13:37
166,167	63,154	44,062	57,416	77,122	0,504	0,506	11068,038	11418,886	48,153	9,397	11,071	5,310	53,564	9,448	971,346	2019-12-11 13:38
166,500	63,133	44,041	57,424	77,112	0,504	0,506	11063,231	11416,070	48,906	9,338	11,129	5,296	53,675	9,458	971,346	2019-12-11 13:38
166,833	63,452	44,019	57,425	77,081	0,504	0,506	11261,779	11390,899	46,974	9,275	11,189	5,309	53,326	9,427	971,250	2019-12-11 13:38
167,167	63,730	43,993	57,394	77,079	0,503	0,506	11418,445	11399,378	49,823	9,413	11,077	5,239	53,027	9,401	971,251	2019-12-11 13:39
167,500	63,603	43,969	57,197	77,049	0,503	0,506	11366,281	11505,608	53,522	9,423	11,054	5,176	53,401	9,434	971,251	2019-12-11 13:39
167,833	63,511	43,947	57,049	76,986	0,504	0,506	11338,342	11553,382	59,904	9,545	10,940	5,152	52,687	9,371	971,250	2019-12-11 13:39
168,167	63,488	43,928	56,985	76,968	0,503	0,506	11326,099	11581,220	67,793	9,644	10,844	5,182	53,263	9,422	971,250	2019-12-11 13:40
168,500	63,464	43,918	56,956	76,936	0,503	0,506	11310,286	11575,083	47,013	9,616	10,810	5,253	53,522	9,445	971,250	2019-12-11 13:40
168,833	63,170	43,904	56,938	76,902	0,503	0,506	11161,701	11566,331	41,085	9,648	10,771	5,266	52,849	9,385	971,250	2019-12-11 13:40
169,167	62,814	43,905	56,930	76,875	0,504	0,506	10957,970	11559,645	42,698	9,762	10,658	5,164	53,190	9,415	971,156	2019-12-11 13:41
169,500	62,928	43,904	57,090	76,847	0,504	0,506	11029,028	11457,261	61,364	9,990	10,451	5,211	53,281	9,423	971,157	2019-12-11 13:41
169,833	62,929	43,898	57,228	76,787	0,503	0,508	11022,094	11369,570	57,267	9,642	10,757	5,150	53,323	9,427	971,157	2019-12-11 13:41
170,167	63,252	43,896	57,267	76,788	0,503	0,507	11206,391	11338,911	67,300	9,496	10,963	5,188	53,521	9,445	971,062	2019-12-11 13:42
170,500	63,479	43,902	57,238	76,731	0,503	0,506	11334,459	11299,497	60,340	9,481	10,970	5,225	52,900	9,390	971,157	2019-12-11 13:42
170,834	63,408	43,912	57,034	76,722	0,503	0,507	11291,437	11437,804	51,600	9,477	11,011	5,215	53,100	9,407	971,157	2019-12-11 13:42
171,167	63,380	43,934	56,894	76,691	0,503	0,507	11259,213	11487,839	44,292	9,397	11,098	5,244	53,255	9,421	971,157	2019-12-11 13:43
171,500	63,349	43,958	56,846	76,656	0,503	0,507	11227,643	11494,671	43,624	9,539	10,944	5,209	52,544	9,358	971,157	2019-12-11 13:43

Pellematic 56_cat II_run 1_191211.Dat

Category: II

	301	302	304	305	306	308	317	1311	1312	1313	1314	1315	1316	1317	1318	1101
Mättid	CO chimney	CO2 chimney	Pdyn	Pstat	Static pressure chimney	O2 chimney	Våg	Flue gas temp	Ambient	Flue gas at pitot	filter temp 1	filter temp 2	gas meter temp 1	gas meter temp 2	gasmeter temp ambient	
Minuter	VDC	VDC	VDC	VDC	VDC	VDC	VDC	°C	°C	°C	°C	°C	°C	°C	°C	°C
171,834	0,215	0,587	1,316	0,131	0,024	0,358	1,539	75,442	19,965	22,904	21,358	20,907	20,463	20,521	27,586	20,195
172,167	0,215	0,586	1,324	0,131	0,011	0,360	1,538	75,436	19,993	22,888	21,360	20,917	20,476	20,518	27,619	20,201
172,500	0,215	0,584	1,317	0,130	0,013	0,362	1,538	75,465	20,077	22,975	21,363	20,920	20,480	20,532	27,655	20,207
172,834	0,215	0,585	1,302	0,132	0,008	0,361	1,538	75,494	20,075	23,117	21,379	20,939	20,477	20,523	27,693	20,209
173,167	0,215	0,587	1,318	0,133	0,016	0,360	1,537	75,485	20,055	23,029	21,392	20,947	20,478	20,532	27,735	20,216
173,500	0,216	0,583	1,326	0,131	0,015	0,363	1,537	75,510	20,055	22,939	21,377	20,944	20,485	20,538	27,747	20,212
173,833	0,215	0,577	1,321	0,132	0,010	0,368	1,536	75,531	20,034	22,991	21,381	20,934	20,472	20,516	27,782	20,211
174,167	0,214	0,580	1,330	0,131	0,013	0,364	1,537	75,568	20,099	23,043	21,391	20,942	20,479	20,532	27,822	20,218
174,500	0,214	0,588	1,320	0,133	0,013	0,357	1,537	75,553	20,112	23,020	21,381	20,934	20,475	20,541	27,850	20,214
174,833	0,215	0,590	1,332	0,131	0,014	0,357	1,536	75,599	20,099	23,017	21,398	20,953	20,484	20,546	27,889	20,224
175,167	0,215	0,586	1,316	0,132	0,022	0,361	1,536	75,587	20,072	23,071	21,397	20,935	20,484	20,539	27,913	20,222
175,500	0,214	0,574	1,317	0,132	0,033	0,371	1,536	75,597	20,040	23,056	21,401	20,939	20,482	20,545	27,945	20,224
175,833	0,214	0,570	1,329	0,131	0,014	0,373	1,536	75,578	19,941	23,019	21,404	20,933	20,478	20,543	27,972	20,224
176,167	0,213	0,579	1,336	0,132	0,019	0,366	1,536	75,601	19,907	23,042	21,408	20,941	20,488	20,539	28,014	20,228
176,500	0,213	0,583	1,310	0,131	0,014	0,363	1,536	75,617	20,000	23,106	21,393	20,952	20,479	20,545	28,033	20,224
176,833	0,214	0,580	1,311	0,131	0,007	0,365	1,536	75,621	20,045	23,038	21,386	20,944	20,482	20,541	28,067	20,223
177,167	0,213	0,579	1,321	0,131	0,018	0,366	1,535	75,618	20,019	23,011	21,400	20,951	20,501	20,560	28,102	20,232
177,500	0,213	0,580	1,316	0,130	0,018	0,365	1,534	75,627	20,071	23,131	21,422	20,956	20,501	20,565	28,141	20,235
177,834	0,213	0,580	1,325	0,130	0,012	0,365	1,535	75,594	19,929	23,086	21,410	20,940	20,504	20,555	28,160	20,228
178,167	0,213	0,576	1,321	0,130	0,023	0,368	1,535	75,615	19,910	23,059	21,408	20,953	20,518	20,556	28,173	20,232
178,500	0,214	0,582	1,327	0,131	0,012	0,363	1,535	75,647	19,959	23,067	21,410	20,949	20,515	20,569	28,196	20,236
178,834	0,214	0,591	1,323	0,130	0,013	0,356	1,534	75,647	20,059	23,095	21,417	20,960	20,511	20,561	28,224	20,234
179,167	0,214	0,595	1,326	0,131	0,012	0,352	1,533	75,657	20,051	23,096	21,425	20,960	20,512	20,573	28,231	20,235
179,500	0,213	0,596	1,330	0,130	0,012	0,352	1,534	75,640	20,002	23,091	21,413	20,964	20,504	20,571	28,256	20,234
179,834	0,213	0,593	1,315	0,130	0,009	0,354	1,534	75,663	19,952	23,092	21,420	20,957	20,511	20,579	28,297	20,244
180,167	0,212	0,591	1,306	0,131	0,018	0,356	1,534	75,683	20,001	23,075	21,415	20,951	20,517	20,577	28,321	20,244
180,500	0,212	0,587	1,323	0,131	0,011	0,360	1,533	75,724	20,030	23,100	21,430	20,952	20,517	20,579	28,330	20,245
180,833	0,212	0,585	1,329	0,131	0,017	0,361	1,534	75,730	20,039	23,073	21,445	20,970	20,519	20,597	28,357	20,252
181,167	0,211	0,590	1,324	0,131	0,012	0,356	1,533	75,735	20,027	23,086	21,429	20,975	20,531	20,599	28,376	20,258
181,500	0,212	0,594	1,318	0,131	0,010	0,353	1,533	75,762	19,981	23,077	21,429	20,861	20,525	20,593	28,405	20,252
181,833	0,214	0,594	1,304	0,133	0,014	0,354	1,532	75,723	19,980	23,095	21,439	20,736	20,524	20,601	28,419	20,258
182,167	0,216	0,601	1,318	0,131	0,012	0,347	1,533	75,703	19,927	23,090	21,442	28,672	20,546	20,604	28,446	20,262
182,500	0,216	0,606	1,330	0,130	0,014	0,343	1,532	75,716	19,892	23,063	21,436	35,460	20,548	20,594	28,458	20,256
182,833	0,216	0,600	1,340	0,131	0,014	0,349	1,532	75,742	19,964	23,123	21,447	25,181	20,558	20,611	28,491	20,260
183,167	0,216	0,597	1,326	0,128	0,012	0,351	1,531	75,747	19,991	23,135	21,428	20,870	20,542	20,597	28,504	20,256
183,500	0,216	0,593	1,325	0,130	0,015	0,355	1,531	75,734	20,047	23,088	21,441	20,764	20,565	20,600	28,515	20,261
183,833	0,216	0,588	1,326	0,132	0,012	0,359	1,531	75,743	20,072	23,099	21,447	20,779	20,556	20,599	28,538	20,259

Pellematic 56_cat II_run 1_191211.Dat

Category: II

	1102	1103	1108	1109	130	230	101	102	1	2	3	6	7	8	11	
Mättid	T4 outlet load side	T3 inlet load side	T2 inlet boiler	T1 outlet boiler	Flow load side	Flow boiler side	Heat output load side	Heat output boiler	CO chimney	CO2 chimney	O2 chimney	Pstat	Pdyn	Tunnel velocity	Våg	Tidpunkt
Minuter	°C	°C	°C	°C	m³/h	m³/h	W	W	ppm	%	%	Pa	Pa	m/s	kg	Klockan
171,834	63,368	43,985	56,813	76,631	0,503	0,507	11217,742	11498,094	40,267	9,686	10,747	5,251	52,715	9,373	971,157	2019-12-11 13:43
172,167	63,355	44,009	56,791	76,610	0,503	0,507	11204,200	11519,609	40,295	9,617	10,795	5,254	52,945	9,394	971,063	2019-12-11 13:44
172,500	63,337	44,028	56,811	76,575	0,503	0,506	11175,420	11457,307	40,355	9,617	10,846	5,200	52,464	9,351	971,062	2019-12-11 13:44
172,834	63,333	44,043	56,810	76,553	0,503	0,508	11171,818	11476,953	40,850	9,609	10,821	5,265	52,005	9,310	971,062	2019-12-11 13:44
173,167	63,317	44,052	56,814	76,531	0,503	0,507	11153,890	11442,281	40,178	9,670	10,789	5,304	52,989	9,398	971,063	2019-12-11 13:45
173,500	63,285	44,052	56,807	76,548	0,503	0,506	11134,341	11438,381	43,037	9,528	10,903	5,237	52,950	9,394	971,062	2019-12-11 13:45
173,833	63,229	44,049	56,795	76,519	0,503	0,506	11107,960	11441,331	40,017	9,457	11,032	5,268	52,883	9,388	970,971	2019-12-11 13:45
174,167	63,235	44,050	56,809	76,464	0,503	0,507	11098,219	11423,312	38,174	9,528	10,924	5,254	53,180	9,414	971,062	2019-12-11 13:46
174,500	63,213	44,043	56,829	76,465	0,504	0,507	11107,400	11412,286	39,103	9,769	10,724	5,328	52,704	9,372	971,062	2019-12-11 13:46
174,833	63,204	44,041	56,829	76,438	0,503	0,506	11087,956	11357,590	39,168	9,746	10,697	5,239	52,933	9,393	970,970	2019-12-11 13:46
175,167	63,179	44,041	56,811	76,409	0,503	0,506	11071,326	11354,440	41,307	9,566	10,816	5,277	52,450	9,350	971,062	2019-12-11 13:47
175,500	63,176	44,038	56,791	76,431	0,503	0,506	11072,328	11381,595	37,325	9,285	11,135	5,286	52,926	9,392	971,062	2019-12-11 13:47
175,833	63,162	44,038	56,776	76,379	0,503	0,505	11073,289	11349,773	37,504	9,300	11,203	5,254	53,146	9,412	970,971	2019-12-11 13:47
176,167	63,152	44,032	56,759	76,396	0,504	0,506	11081,831	11373,793	36,579	9,514	10,975	5,282	53,476	9,441	970,971	2019-12-11 13:48
176,500	63,118	44,024	56,748	76,333	0,503	0,506	11049,866	11340,253	37,245	9,578	10,885	5,242	52,081	9,317	970,970	2019-12-11 13:48
176,833	63,125	44,017	56,741	76,357	0,503	0,506	11062,215	11362,556	37,998	9,471	10,953	5,229	52,460	9,351	970,971	2019-12-11 13:48
177,167	63,102	44,011	56,737	76,333	0,503	0,506	11052,797	11357,595	35,709	9,468	10,989	5,231	52,788	9,380	970,844	2019-12-11 13:49
177,500	63,193	44,009	56,721	76,333	0,503	0,505	11111,613	11353,955	35,821	9,490	10,947	5,211	52,804	9,381	970,874	2019-12-11 13:49
177,834	63,186	44,005	56,693	76,303	0,503	0,505	11100,493	11350,184	34,475	9,492	10,951	5,201	53,014	9,400	970,971	2019-12-11 13:49
178,167	63,189	43,997	56,643	76,269	0,503	0,506	11097,794	11367,947	35,068	9,395	11,049	5,189	53,167	9,413	970,844	2019-12-11 13:50
178,500	63,169	44,000	56,623	76,232	0,503	0,506	11084,429	11363,804	38,088	9,617	10,882	5,221	53,164	9,413	970,844	2019-12-11 13:50
178,834	63,169	44,001	56,605	76,213	0,503	0,506	11102,131	11363,750	38,340	9,824	10,687	5,215	52,681	9,370	970,844	2019-12-11 13:50
179,167	63,157	43,999	56,588	76,205	0,503	0,505	11091,435	11354,301	36,910	9,891	10,569	5,222	53,160	9,413	970,750	2019-12-11 13:51
179,500	63,131	43,999	56,574	76,180	0,503	0,505	11069,454	11339,638	36,323	9,890	10,561	5,216	53,163	9,413	970,845	2019-12-11 13:51
179,834	63,683	44,006	56,555	76,205	0,503	0,505	11383,642	11365,675	35,232	9,823	10,612	5,194	52,349	9,341	970,844	2019-12-11 13:51
180,167	63,611	44,008	56,415	76,167	0,503	0,505	11342,996	11431,732	33,218	9,764	10,679	5,249	52,482	9,353	970,844	2019-12-11 13:52
180,500	63,562	44,015	56,248	76,138	0,503	0,505	11314,965	11508,522	34,305	9,648	10,788	5,241	52,764	9,378	970,845	2019-12-11 13:52
180,833	63,472	44,016	56,165	76,135	0,503	0,504	11261,102	11534,701	31,873	9,629	10,822	5,223	53,207	9,417	970,845	2019-12-11 13:52
181,167	63,462	44,020	56,137	76,112	0,503	0,505	11252,076	11565,971	30,368	9,810	10,688	5,229	53,047	9,403	970,749	2019-12-11 13:53
181,500	63,446	44,014	56,148	76,111	0,503	0,505	11241,702	11553,113	33,463	9,829	10,599	5,253	52,540	9,358	970,750	2019-12-11 13:53
181,833	63,438	44,019	56,157	76,055	0,503	0,505	11243,080	11518,019	38,794	9,886	10,625	5,309	52,200	9,327	970,750	2019-12-11 13:53
182,167	63,143	44,020	56,156	76,075	0,503	0,505	11073,432	11532,326	42,697	10,109	10,412	5,259	53,020	9,400	970,750	2019-12-11 13:54
182,500	62,875	44,016	56,189	76,055	0,503	0,506	10912,514	11507,269	43,283	10,144	10,303	5,205	53,379	9,432	970,750	2019-12-11 13:54
182,833	62,980	44,017	56,359	76,013	0,503	0,505	10973,646	11381,109	44,319	9,986	10,456	5,245	53,323	9,427	970,750	2019-12-11 13:54
183,167	62,985	44,013	56,470	76,011	0,503	0,505	10989,830	11310,181	44,385	9,922	10,534	5,132	53,102	9,408	970,750	2019-12-11 13:55
183,500	62,987	44,011	56,490	75,976	0,503	0,506	10979,377	11285,505	43,542	9,761	10,664	5,198	53,060	9,404	970,656	2019-12-11 13:55
183,833	63,507	44,013	56,495	75,971	0,503	0,505	11276,515	11272,722	42,948	9,679	10,773	5,261	52,619	9,365	970,656	2019-12-11 13:55

Pellematic 56_cat II_run 1_191211.Dat

Category: II

	301	302	304	305	306	308	317	1311	1312	1313	1314	1315	1316	1317	1318	1101
Mättid	CO chimney	CO2 chimney	Pdyn	Pstat	Static pressure chimney	O2 chimney	Våg	Flue gas temp	Ambient	Flue gas at pitot	filter temp 1	filter temp 2	gas meter temp 1	gas meter temp 2	gasmeter temp ambient	
Minuter	VDC	VDC	VDC	VDC	VDC	VDC	VDC	°C	°C	°C	°C	°C	°C	°C	°C	°C
184,167	0,216	0,582	1,309	0,130	0,010	0,364	1,532	75,724	20,112	23,063	21,455	20,808	20,558	20,606	28,574	20,265
184,500	0,214	0,582	1,314	0,129	0,014	0,363	1,530	75,717	20,100	23,058	21,454	20,832	20,552	20,620	28,595	20,266
184,834	0,214	0,589	1,315	0,132	0,010	0,358	1,530	75,723	20,089	23,019	21,447	20,837	20,548	20,616	28,617	20,262
185,167	0,215	0,585	1,309	0,130	0,015	0,361	1,531	75,738	20,064	23,046	21,444	20,854	20,550	20,612	28,649	20,263
185,500	0,215	0,585	1,317	0,132	0,019	0,361	1,531	75,735	20,078	23,014	21,459	20,865	20,558	20,613	28,679	20,271
185,834	0,215	0,588	1,332	0,132	0,023	0,359	1,530	75,761	20,103	23,038	21,455	20,874	20,545	20,618	28,676	20,271
186,167	0,215	0,583	1,311	0,129	0,010	0,363	1,530	75,724	20,129	23,066	21,467	20,891	20,556	20,617	28,692	20,275
186,500	0,215	0,583	1,322	0,131	0,012	0,363	1,530	75,707	20,129	23,063	21,465	20,906	20,555	20,631	28,708	20,279
186,833	0,215	0,583	1,314	0,131	0,014	0,362	1,529	75,689	20,105	22,978	21,460	20,922	20,555	20,624	28,706	20,276
187,167	0,215	0,584	1,316	0,132	0,019	0,362	1,531	75,687	20,096	23,036	21,468	20,915	20,558	20,636	28,725	20,279
187,500	0,216	0,584	1,336	0,131	0,016	0,362	1,529	75,711	20,115	23,044	21,467	20,921	20,548	20,639	28,746	20,278
187,834	0,216	0,588	1,322	0,130	0,013	0,358	1,528	75,701	20,150	23,001	21,466	20,915	20,562	20,652	28,773	20,281
188,167	0,215	0,592	1,329	0,130	0,020	0,355	1,528	75,680	20,139	23,002	21,478	20,932	20,567	20,643	28,784	20,285
188,500	0,215	0,588	1,332	0,130	0,015	0,359	1,529	75,658	20,067	23,031	21,463	20,925	20,560	20,645	28,812	20,281
188,833	0,216	0,581	1,330	0,131	0,015	0,365	1,528	75,649	20,046	22,986	21,470	20,934	20,572	20,655	28,833	20,295
189,167	0,216	0,583	1,322	0,133	0,017	0,364	1,529	75,622	20,114	23,005	21,460	20,920	20,559	20,650	28,821	20,286
189,500	0,215	0,583	1,334	0,132	0,013	0,363	1,528	75,648	20,153	23,074	21,474	20,933	20,570	20,663	28,838	20,294
189,833	0,215	0,583	1,327	0,131	0,017	0,363	1,528	75,621	20,204	23,049	21,478	20,927	20,570	20,664	28,848	20,295
190,167	0,215	0,587	1,332	0,131	0,014	0,359	1,528	75,617	20,194	23,033	21,472	20,922	20,568	20,662	28,869	20,289
190,500	0,216	0,593	1,324	0,131	0,015	0,354	1,527	75,645	20,171	22,957	21,459	20,934	20,555	20,659	28,891	20,290
190,833	0,217	0,587	1,317	0,131	0,013	0,359	1,528	75,630	20,158	23,013	21,463	20,924	20,555	20,656	28,897	20,286
191,167	0,218	0,581	1,326	0,130	0,013	0,365	1,527	75,631	20,186	23,051	21,473	20,937	20,556	20,657	28,914	20,295
191,500	0,217	0,584	1,320	0,131	0,013	0,361	1,528	75,636	20,132	23,020	21,468	20,928	20,565	20,674	28,935	20,297
191,833	0,217	0,586	1,323	0,132	0,019	0,361	1,528	75,622	20,050	23,051	21,483	20,931	20,559	20,677	28,942	20,299
192,167	0,217	0,583	1,315	0,131	0,017	0,363	1,527	75,640	20,057	23,062	21,469	20,930	20,569	20,666	28,947	20,295
192,500	0,216	0,582	1,306	0,131	0,015	0,364	1,527	75,631	20,023	23,038	21,467	20,923	20,563	20,672	28,962	20,297
192,833	0,216	0,581	1,319	0,130	0,017	0,366	1,526	75,599	20,088	23,098	21,464	20,918	20,552	20,672	28,980	20,295
193,167	0,216	0,578	1,325	0,129	0,017	0,368	1,526	75,591	20,140	23,091	21,476	20,931	20,572	20,686	28,999	20,305
193,500	0,216	0,575	1,317	0,130	0,018	0,370	1,526	75,587	20,169	23,116	21,469	20,935	20,563	20,681	29,004	20,302
193,833	0,215	0,581	1,317	0,131	0,011	0,364	1,526	75,553	20,067	23,058	21,490	20,925	20,567	20,682	29,015	20,306
194,167	0,216	0,585	1,331	0,129	0,016	0,362	1,526	75,567	20,127	23,059	21,491	20,944	20,565	20,695	29,024	20,310
194,500	0,216	0,574	1,325	0,130	0,013	0,370	1,524	75,573	20,137	23,112	21,477	20,932	20,561	20,684	29,028	20,308
194,834	0,218	0,567	1,322	0,130	0,019	0,377	1,525	75,629	20,120	23,126	21,487	20,947	20,568	20,703	29,052	20,313
195,167	0,217	0,563	1,333	0,129	0,018	0,380	1,526	75,616	20,102	23,105	21,486	20,936	20,558	20,696	29,055	20,309
195,500	0,216	0,559	1,336	0,128	0,014	0,384	1,523	75,548	20,136	23,063	21,474	20,940	20,561	20,691	29,082	20,309
195,834	0,217	0,557	1,325	0,129	0,017	0,386	1,525	75,529	20,139	23,072	21,486	20,942	20,560	20,699	29,094	20,313
196,167	0,218	0,555	1,323	0,129	0,016	0,386	1,524	75,556	20,108	23,091	21,469	20,938	20,560	20,702	29,120	20,308

Pellematic 56_cat II_run 1_191211.Dat

Category: II

	1102	1103	1108	1109	130	230	101	102	1	2	3	6	7	8	11	
Mättid	T4 outlet load side	T3 inlet load side	T2 inlet boiler	T1 outlet boiler	Flow load side	Flow boiler side	Heat output load side	Heat output boiler	CO chimney	CO2 chimney	O2 chimney	Pstat	Pdyn	Tunnel velocity	Våg	Tidpunkt
Minuter	°C	°C	°C	°C	m³/h	m³/h	W	W	ppm	%	%	Pa	Pa	m/s	kg	Klockan
184,167	63,486	44,014	56,414	75,951	0,503	0,505	11275,962	11307,966	41,419	9,533	10,911	5,189	52,281	9,335	970,750	2019-12-11 13:56
184,500	63,415	44,010	56,224	75,947	0,502	0,505	11217,866	11417,421	36,978	9,575	10,889	5,179	52,609	9,364	970,569	2019-12-11 13:56
184,834	63,407	44,004	56,121	75,924	0,503	0,505	11224,301	11449,587	38,847	9,726	10,731	5,275	52,467	9,351	970,656	2019-12-11 13:56
185,167	63,390	43,996	56,072	75,899	0,502	0,504	11212,539	11459,730	40,512	9,617	10,841	5,209	52,234	9,330	970,656	2019-12-11 13:57
185,500	63,359	43,989	56,032	75,870	0,503	0,505	11203,867	11481,912	40,102	9,648	10,833	5,287	52,753	9,377	970,656	2019-12-11 13:57
185,834	63,332	43,980	56,008	75,847	0,503	0,504	11204,071	11466,640	40,010	9,688	10,757	5,271	53,589	9,451	970,656	2019-12-11 13:57
186,167	63,333	43,977	55,987	75,818	0,503	0,505	11202,366	11480,920	40,429	9,591	10,885	5,166	52,461	9,351	970,563	2019-12-11 13:58
186,500	63,323	43,979	55,983	75,811	0,503	0,505	11190,845	11473,210	40,262	9,565	10,884	5,236	52,619	9,365	970,562	2019-12-11 13:58
186,833	63,311	43,992	55,980	75,814	0,503	0,505	11179,932	11473,525	41,187	9,588	10,869	5,231	52,456	9,350	970,563	2019-12-11 13:58
187,167	63,296	44,001	55,969	75,798	0,503	0,504	11169,557	11454,745	41,857	9,591	10,872	5,265	52,648	9,367	970,656	2019-12-11 13:59
187,500	63,308	44,012	55,951	75,772	0,503	0,505	11168,791	11458,984	44,460	9,627	10,853	5,242	53,303	9,425	970,563	2019-12-11 13:59
187,834	63,272	44,026	55,958	75,724	0,503	0,505	11129,521	11432,370	43,128	9,735	10,743	5,219	52,823	9,383	970,471	2019-12-11 13:59
188,167	63,288	44,034	55,954	75,762	0,503	0,506	11148,395	11472,274	41,294	9,834	10,651	5,217	53,001	9,399	970,472	2019-12-11 14:00
188,500	63,266	44,042	55,968	75,728	0,502	0,505	11113,422	11438,715	41,692	9,638	10,780	5,191	53,361	9,431	970,563	2019-12-11 14:00
188,833	63,277	44,046	55,968	75,714	0,503	0,504	11135,841	11397,211	43,961	9,508	10,938	5,237	52,947	9,394	970,471	2019-12-11 14:00
189,167	63,249	44,039	55,957	75,680	0,503	0,504	11126,719	11380,857	42,374	9,585	10,909	5,306	53,130	9,410	970,562	2019-12-11 14:01
189,500	63,240	44,035	55,929	75,703	0,503	0,503	11108,835	11406,802	40,679	9,594	10,877	5,296	53,076	9,405	970,472	2019-12-11 14:01
189,833	63,226	44,032	55,912	75,645	0,503	0,505	11114,778	11407,369	40,518	9,578	10,886	5,235	53,211	9,417	970,471	2019-12-11 14:01
190,167	63,222	44,033	55,914	75,615	0,504	0,504	11121,115	11381,518	40,183	9,717	10,771	5,233	53,482	9,441	970,471	2019-12-11 14:02
190,500	63,192	44,030	55,902	75,618	0,503	0,505	11102,170	11407,007	43,034	9,796	10,632	5,231	52,706	9,372	970,471	2019-12-11 14:02
190,833	63,186	44,033	55,895	75,581	0,504	0,505	11099,912	11384,482	45,965	9,616	10,771	5,253	52,855	9,386	970,471	2019-12-11 14:02
191,167	63,180	44,043	55,899	75,544	0,503	0,503	11080,679	11324,157	47,315	9,486	10,948	5,205	53,238	9,420	970,471	2019-12-11 14:03
191,500	63,151	44,058	55,863	75,538	0,503	0,503	11051,489	11332,784	46,380	9,633	10,830	5,230	52,719	9,374	970,471	2019-12-11 14:03
191,833	63,158	44,076	55,846	75,518	0,504	0,505	11060,085	11380,875	45,215	9,624	10,818	5,299	52,965	9,395	970,472	2019-12-11 14:03
192,167	63,145	44,095	55,859	75,500	0,504	0,504	11039,409	11331,976	46,563	9,572	10,888	5,232	52,610	9,364	970,345	2019-12-11 14:04
192,500	63,148	44,121	55,858	75,471	0,503	0,504	11020,834	11330,073	43,186	9,568	10,909	5,230	52,219	9,329	970,345	2019-12-11 14:04
192,833	63,129	44,151	55,860	75,469	0,503	0,504	10994,435	11313,103	41,857	9,511	10,972	5,214	53,105	9,408	970,346	2019-12-11 14:04
193,167	63,143	44,178	55,872	75,431	0,503	0,504	10980,375	11303,392	43,369	9,411	11,040	5,179	52,961	9,395	970,345	2019-12-11 14:05
193,500	63,187	44,196	55,884	75,411	0,503	0,504	10996,496	11275,090	41,528	9,382	11,114	5,215	52,561	9,360	970,345	2019-12-11 14:05
193,833	63,238	44,209	55,892	75,444	0,503	0,505	11014,657	11306,700	40,226	9,571	10,931	5,232	52,697	9,372	970,346	2019-12-11 14:05
194,167	63,217	44,211	55,876	75,387	0,503	0,505	10997,990	11292,454	42,699	9,590	10,856	5,173	53,338	9,428	970,346	2019-12-11 14:06
194,500	63,198	44,205	55,867	75,383	0,504	0,504	11004,553	11272,063	44,715	9,283	11,104	5,212	52,787	9,380	970,252	2019-12-11 14:06
194,834	63,183	44,204	55,851	75,346	0,503	0,505	10993,621	11283,256	47,986	9,140	11,310	5,207	52,977	9,397	970,251	2019-12-11 14:06
195,167	63,176	44,210	55,847	75,315	0,503	0,504	10983,453	11237,950	44,130	9,044	11,402	5,179	53,648	9,456	970,345	2019-12-11 14:07
195,500	63,167	44,225	55,825	75,302	0,504	0,504	10980,422	11258,328	44,195	8,959	11,516	5,138	53,608	9,452	970,251	2019-12-11 14:07
195,834	63,155	44,247	55,811	75,288	0,504	0,504	10961,712	11248,212	47,229	8,903	11,573	5,159	52,710	9,373	970,250	2019-12-11 14:07
196,167	63,433	44,270	55,804	75,267	0,503	0,504	11099,171	11233,521	47,903	8,903	11,590	5,164	52,539	9,358	970,251	2019-12-11 14:08

Pellematic 56_cat II_run 1_191211.Dat

Category: II

	301	302	304	305	306	308	317	1311	1312	1313	1314	1315	1316	1317	1318	1101
Mättid	CO chimney	CO2 chimney	Pdyn	Pstat	Static pressure chimney	O2 chimney	Våg	Flue gas temp	Ambient	Flue gas at pitot	filter temp 1	filter temp 2	gas meter temp 1	gas meter temp 2	gasmeter temp ambient	
Minuter	VDC	VDC	VDC	VDC	VDC	VDC	VDC	°C	°C	°C	°C	°C	°C	°C	°C	°C
196,500	0,217	0,559	1,309	0,130	0,009	0,383	1,524	75,582	20,084	23,070	21,479	20,943	20,566	20,703	29,135	20,314
196,833	0,217	0,565	1,312	0,129	0,022	0,379	1,523	75,560	20,093	23,043	21,479	20,941	20,564	20,705	29,160	20,318
197,167	0,217	0,572	1,332	0,130	0,014	0,372	1,524	75,561	20,147	23,047	21,487	20,950	20,573	20,715	29,181	20,325
197,500	0,217	0,581	1,327	0,130	0,016	0,364	1,524	75,537	20,104	23,113	21,488	20,946	20,572	20,723	29,195	20,324
197,833	0,216	0,585	1,316	0,129	0,011	0,362	1,524	75,524	19,981	23,104	21,486	20,947	20,566	20,715	29,202	20,320
198,167	0,217	0,589	1,326	0,129	0,010	0,358	1,524	75,525	20,023	23,096	21,492	20,955	20,561	20,716	29,212	20,319
198,500	0,217	0,587	1,316	0,130	0,016	0,360	1,523	75,529	20,130	23,132	21,499	20,951	20,565	20,722	29,227	20,323
198,833	0,216	0,589	1,317	0,129	0,018	0,358	1,523	75,540	20,068	23,092	21,488	20,944	20,574	20,725	29,251	20,327
199,167	0,217	0,591	1,306	0,129	0,013	0,357	1,523	75,518	20,133	23,101	21,495	20,943	20,569	20,724	29,255	20,326
199,500	0,218	0,591	1,335	0,129	0,008	0,357	1,523	75,520	20,063	23,150	21,492	20,953	20,569	20,728	29,263	20,324
199,833	0,218	0,588	1,329	0,129	0,018	0,359	1,523	75,505	20,048	23,185	21,510	20,954	20,578	20,732	29,286	20,330
200,167	0,219	0,586	1,320	0,130	0,011	0,361	1,523	75,481	20,029	23,163	21,509	20,950	20,571	20,732	29,289	20,329
200,500	0,219	0,591	1,310	0,131	0,014	0,356	1,522	75,496	20,057	23,089	21,503	20,952	20,577	20,736	29,318	20,335
200,834	0,218	0,604	1,315	0,131	0,016	0,345	1,521	75,490	20,039	23,061	21,501	20,962	20,578	20,747	29,331	20,333
201,167	0,217	0,608	1,327	0,131	0,019	0,343	1,522	75,469	20,068	23,109	21,499	20,949	20,580	20,736	29,337	20,335
201,500	0,217	0,607	1,322	0,128	0,015	0,343	1,521	75,473	20,102	23,118	21,503	20,945	20,569	20,738	29,349	20,335
201,834	0,217	0,604	1,322	0,130	0,013	0,345	1,521	75,449	19,986	23,114	21,504	20,943	20,571	20,744	29,357	20,334
202,167	0,217	0,604	1,334	0,128	0,013	0,345	1,521	75,443	19,999	23,155	21,508	20,956	20,569	20,744	29,370	20,334
202,500	0,217	0,605	1,317	0,131	0,015	0,344	1,521	75,443	19,924	23,208	21,503	20,960	20,564	20,757	29,378	20,337
202,834	0,217	0,615	1,300	0,131	0,017	0,336	1,521	75,474	19,919	23,202	21,516	20,953	20,578	20,753	29,373	20,339
203,167	0,217	0,616	1,313	0,130	0,009	0,335	1,521	75,441	19,954	23,157	21,514	20,962	20,568	20,749	29,403	20,341
203,500	0,216	0,609	1,320	0,131	0,015	0,342	1,520	75,386	19,982	23,140	21,500	20,957	20,573	20,749	29,407	20,339
203,833	0,216	0,600	1,313	0,131	0,019	0,349	1,520	75,405	19,958	23,149	21,516	20,972	20,583	20,758	29,432	20,348
204,167	0,216	0,600	1,311	0,131	0,013	0,349	1,520	75,403	20,004	23,162	21,514	20,961	20,584	20,757	29,438	20,343
204,500	0,217	0,598	1,330	0,130	0,016	0,351	1,520	75,362	20,035	23,125	21,515	20,952	20,590	20,763	29,445	20,345
204,833	0,216	0,591	1,326	0,131	0,019	0,357	1,520	75,360	20,005	23,110	21,517	20,964	20,579	20,763	29,467	20,345
205,167	0,216	0,588	1,331	0,129	0,017	0,359	1,520	75,346	19,947	23,156	21,517	20,966	20,581	20,768	29,476	20,348
205,500	0,215	0,586	1,333	0,129	0,018	0,361	1,520	75,350	19,966	23,186	21,524	20,966	20,579	20,777	29,478	20,351
205,833	0,216	0,586	1,319	0,129	0,018	0,361	1,519	75,339	19,969	23,199	21,516	20,969	20,575	20,773	29,492	20,349
206,167	0,215	0,586	1,321	0,128	0,013	0,361	1,518	75,318	19,945	23,204	21,524	20,966	20,585	20,783	29,511	20,354
206,500	0,216	0,583	1,327	0,131	0,017	0,363	1,519	75,319	19,979	23,192	21,523	20,965	20,576	20,777	29,519	20,351
206,833	0,216	0,583	1,344	0,131	0,013	0,363	1,518	75,298	19,985	23,187	21,523	20,963	20,592	20,788	29,531	20,357
207,167	0,217	0,580	1,341	0,128	0,014	0,366	1,517	75,280	19,972	23,220	21,517	20,963	20,579	20,788	29,542	20,351
207,500	0,216	0,585	1,338	0,129	0,012	0,362	1,517	75,279	20,000	23,194	21,528	20,969	20,598	20,796	29,575	20,355
207,834	0,216	0,582	1,331	0,129	0,010	0,365	1,517	75,260	20,027	23,192	21,534	20,980	20,610	20,796	29,577	20,358
208,167	0,215	0,574	1,333	0,129	0,022	0,371	1,518	75,264	19,936	23,204	21,530	20,983	20,620	20,786	29,591	20,356
208,500	0,215	0,572	1,343	0,129	0,015	0,372	1,518	75,285	19,800	23,210	21,518	20,980	20,612	20,801	29,617	20,356

Pellematic 56_cat II_run 1_191211.Dat

Category: II

	1102	1103	1108	1109	130	230	101	102	1	2	3	6	7	8	11	
Mättid	T4 outlet load side	T3 inlet load side	T2 inlet boiler	T1 outlet boiler	Flow load side	Flow boiler side	Heat output load side	Heat output boiler	CO chimney	CO2 chimney	O2 chimney	Pstat	Pdyn	Tunnel velocity	Våg	Tidpunkt
Minuter	°C	°C	°C	°C	m³/h	m³/h	W	W	ppm	%	%	Pa	Pa	m/s	kg	Klockan
196,500	63,605	44,288	55,754	75,295	0,504	0,503	11194,192	11256,117	45,970	9,011	11,493	5,216	52,412	9,346	970,251	2019-12-11 14:08
196,833	63,554	44,305	55,582	75,215	0,504	0,504	11162,809	11332,854	44,378	9,167	11,360	5,169	52,636	9,366	970,158	2019-12-11 14:08
197,167	63,431	44,307	55,482	75,178	0,504	0,505	11086,274	11393,352	45,886	9,346	11,146	5,216	53,209	9,417	970,250	2019-12-11 14:09
197,500	63,428	44,300	55,479	75,194	0,504	0,503	11081,235	11358,767	44,366	9,578	10,928	5,207	52,903	9,390	970,251	2019-12-11 14:09
197,833	63,415	44,287	55,482	75,176	0,503	0,505	11075,702	11388,849	42,868	9,652	10,858	5,165	52,716	9,373	970,251	2019-12-11 14:09
198,167	63,385	44,268	55,494	75,124	0,504	0,504	11080,620	11328,187	44,972	9,756	10,751	5,166	53,006	9,399	970,251	2019-12-11 14:10
198,500	63,375	44,248	55,482	75,101	0,503	0,505	11065,416	11351,614	43,960	9,667	10,801	5,206	52,552	9,359	970,157	2019-12-11 14:10
198,833	63,365	44,236	55,490	75,094	0,503	0,503	11078,278	11304,840	43,699	9,746	10,739	5,152	52,306	9,337	970,157	2019-12-11 14:10
199,167	63,331	44,220	55,455	75,043	0,503	0,504	11069,886	11308,615	46,314	9,749	10,706	5,160	52,499	9,354	970,157	2019-12-11 14:11
199,500	63,315	44,208	55,427	75,013	0,503	0,503	11065,506	11291,504	48,827	9,761	10,701	5,147	53,484	9,441	970,157	2019-12-11 14:11
199,833	63,289	44,200	55,399	75,009	0,504	0,503	11061,075	11308,843	48,819	9,686	10,778	5,158	52,972	9,396	970,157	2019-12-11 14:11
200,167	63,276	44,195	55,389	74,970	0,503	0,502	11048,358	11269,267	50,085	9,632	10,834	5,211	53,092	9,407	970,158	2019-12-11 14:12
200,500	63,257	44,190	55,354	74,966	0,504	0,502	11051,666	11286,864	49,829	9,829	10,677	5,242	52,192	9,327	970,158	2019-12-11 14:12
200,834	63,237	44,190	55,324	74,968	0,504	0,504	11045,550	11338,131	46,228	10,165	10,350	5,250	52,684	9,371	970,064	2019-12-11 14:12
201,167	63,229	44,198	55,323	74,928	0,503	0,505	11021,524	11341,329	44,307	10,188	10,275	5,230	52,885	9,388	970,063	2019-12-11 14:13
201,500	63,233	44,202	55,337	74,905	0,504	0,504	11028,139	11306,635	45,722	10,162	10,297	5,105	52,992	9,398	970,063	2019-12-11 14:13
201,834	63,213	44,208	55,340	74,932	0,504	0,504	11013,076	11305,609	46,227	10,096	10,344	5,214	52,553	9,359	970,063	2019-12-11 14:13
202,167	63,184	44,215	55,330	74,889	0,504	0,503	10993,953	11281,684	45,140	10,091	10,347	5,138	53,440	9,438	970,063	2019-12-11 14:14
202,500	63,192	44,222	55,313	74,870	0,504	0,503	10990,195	11284,077	45,304	10,170	10,317	5,243	52,438	9,349	970,063	2019-12-11 14:14
202,834	63,192	44,220	55,311	74,849	0,503	0,504	10983,111	11287,732	46,391	10,409	10,078	5,251	52,027	9,312	970,063	2019-12-11 14:14
203,167	63,164	44,209	55,319	74,835	0,504	0,503	10982,741	11257,454	46,822	10,385	10,042	5,220	52,341	9,340	970,063	2019-12-11 14:15
203,500	63,147	44,181	55,306	74,822	0,504	0,502	11000,569	11228,593	42,363	10,145	10,265	5,235	53,022	9,401	969,972	2019-12-11 14:15
203,833	63,129	44,149	55,288	74,827	0,504	0,503	10998,655	11264,746	42,283	9,996	10,464	5,256	52,465	9,351	969,972	2019-12-11 14:15
204,167	63,109	44,111	55,264	74,812	0,504	0,502	11014,070	11246,822	44,972	10,009	10,472	5,220	52,445	9,349	969,972	2019-12-11 14:16
204,500	63,090	44,078	55,233	74,826	0,503	0,504	11014,048	11307,736	45,393	9,914	10,527	5,207	53,198	9,416	969,972	2019-12-11 14:16
204,833	63,078	44,049	55,215	74,772	0,503	0,502	11014,309	11261,681	44,038	9,740	10,707	5,236	53,375	9,432	969,971	2019-12-11 14:16
205,167	63,106	44,024	55,198	74,771	0,503	0,503	11053,971	11287,938	42,957	9,682	10,775	5,173	53,257	9,421	969,972	2019-12-11 14:17
205,500	63,160	44,006	55,183	74,757	0,504	0,502	11105,789	11267,757	41,103	9,643	10,817	5,147	53,354	9,430	969,972	2019-12-11 14:17
205,833	63,123	43,990	55,107	74,697	0,503	0,503	11082,226	11292,770	41,779	9,652	10,821	5,145	52,542	9,358	969,971	2019-12-11 14:17
206,167	63,394	43,986	55,073	74,746	0,503	0,503	11238,132	11350,559	40,595	9,654	10,828	5,130	52,992	9,398	969,845	2019-12-11 14:18
206,500	63,593	43,979	55,041	74,762	0,504	0,503	11368,205	11359,531	42,961	9,557	10,893	5,233	53,307	9,426	969,971	2019-12-11 14:18
206,833	63,501	43,976	54,872	74,716	0,503	0,503	11306,768	11448,983	43,180	9,570	10,896	5,227	53,878	9,476	969,845	2019-12-11 14:18
207,167	63,472	43,973	54,741	74,700	0,504	0,501	11300,111	11459,970	44,548	9,501	10,986	5,104	53,642	9,455	969,846	2019-12-11 14:19
207,500	63,384	43,977	54,658	74,635	0,504	0,502	11246,169	11506,708	44,381	9,642	10,854	5,160	53,303	9,425	969,846	2019-12-11 14:19
207,834	63,383	43,984	54,629	74,634	0,504	0,502	11247,365	11515,630	43,549	9,486	10,945	5,179	53,413	9,435	969,751	2019-12-11 14:19
208,167	63,388	43,990	54,643	74,652	0,504	0,504	11241,078	11569,600	42,037	9,323	11,142	5,178	53,271	9,423	969,846	2019-12-11 14:20
208,500	63,360	43,995	54,662	74,616	0,503	0,504	11211,293	11538,127	39,596	9,349	11,154	5,161	53,872	9,476	969,845	2019-12-11 14:20

Pellematic 56_cat II_run 1_191211.Dat

Category: II

	301	302	304	305	306	308	317	1311	1312	1313	1314	1315	1316	1317	1318	1101
Mättid	CO chimney	CO2 chimney	Pdyn	Pstat	Static pressure chimney	O2 chimney	Våg	Flue gas temp	Ambient	Flue gas at pitot	filter temp 1	filter temp 2	gas meter temp 1	gas meter temp 2	gasmeter temp ambient	
Minuter	VDC	VDC	VDC	VDC	VDC	VDC	VDC	°C	°C	°C	°C	°C	°C	°C	°C	°C
208,834	0,213	0,580	1,342	0,129	0,009	0,365	1,516	75,286	19,760	23,211	21,515	20,982	20,616	20,796	29,625	20,356
209,167	0,212	0,585	1,335	0,128	0,015	0,361	1,518	75,312	19,749	23,225	21,528	20,976	20,623	20,797	29,648	20,360
209,500	0,213	0,589	1,336	0,128	0,015	0,358	1,516	75,330	19,833	23,246	21,530	20,978	20,619	20,801	29,658	20,360
209,834	0,214	0,597	1,324	0,129	0,011	0,351	1,516	75,306	19,823	23,221	21,525	20,978	20,633	20,794	29,678	20,361
210,167	0,216	0,604	1,343	0,131	0,017	0,345	1,515	75,302	19,819	23,231	21,530	20,977	20,625	20,799	29,676	20,361
210,500	0,216	0,599	1,348	0,129	0,013	0,350	1,515	75,313	19,748	23,212	21,524	20,980	20,629	20,803	29,688	20,358
210,833	0,216	0,592	1,353	0,128	0,013	0,356	1,516	75,264	19,682	23,226	21,528	20,986	20,625	20,805	29,708	20,356
211,167	0,215	0,585	1,330	0,129	0,014	0,362	1,515	75,227	19,715	23,274	21,540	20,977	20,629	20,805	29,715	20,358
211,500	0,214	0,582	1,335	0,130	0,020	0,364	1,516	75,227	19,742	23,239	21,529	20,974	20,621	20,807	29,715	20,355
211,833	0,214	0,577	1,335	0,127	0,021	0,368	1,515	75,202	19,767	23,254	21,534	20,982	20,621	20,825	29,728	20,361
212,167	0,215	0,577	1,334	0,128	0,011	0,367	1,516	75,210	19,767	23,281	21,532	20,988	20,633	20,823	29,749	20,366
212,500	0,215	0,578	1,342	0,128	0,014	0,368	1,515	75,203	19,808	23,228	21,529	20,987	20,642	20,828	29,770	20,362
212,833	0,214	0,579	1,339	0,128	0,016	0,367	1,515	75,201	19,798	23,194	21,540	20,990	20,638	20,828	29,780	20,363
213,167	0,215	0,579	1,341	0,128	0,014	0,366	1,515	75,233	19,719	23,230	21,543	20,993	20,634	20,819	29,779	20,360
213,500	0,216	0,588	1,333	0,129	0,022	0,359	1,515	75,244	19,718	23,221	21,523	20,984	20,634	20,824	29,781	20,360
213,833	0,215	0,591	1,323	0,128	0,017	0,356	1,515	75,253	19,762	23,234	21,539	20,990	20,633	20,826	29,797	20,362
214,167	0,215	0,587	1,334	0,128	0,009	0,360	1,515	75,251	19,760	23,218	21,546	21,005	20,652	20,844	29,814	20,368
214,500	0,215	0,590	1,334	0,128	0,015	0,357	1,515	75,242	19,844	23,201	21,532	20,999	20,637	20,841	29,823	20,360
214,834	0,214	0,592	1,330	0,127	0,018	0,355	1,514	75,215	19,703	23,198	21,539	21,002	20,639	20,836	29,826	20,358
215,167	0,213	0,594	1,326	0,129	0,015	0,354	1,514	75,232	19,789	23,191	21,541	21,005	20,646	20,837	29,845	20,361
215,500	0,213	0,589	1,334	0,127	0,012	0,357	1,513	75,266	19,846	23,175	21,542	21,002	20,647	20,841	29,861	20,364
215,834	0,213	0,585	1,316	0,127	0,014	0,361	1,514	75,278	19,850	23,155	21,529	20,995	20,636	20,848	29,867	20,356
216,167	0,212	0,582	1,334	0,128	0,012	0,365	1,513	75,240	19,900	23,179	21,542	21,014	20,642	20,848	29,870	20,362
216,500	0,211	0,585	1,331	0,127	0,010	0,362	1,513	75,205	19,854	23,167	21,542	21,022	20,654	20,855	29,892	20,369
216,833	0,213	0,592	1,334	0,127	0,019	0,356	1,513	75,178	19,863	23,152	21,558	21,030	20,650	20,850	29,908	20,367
217,167	0,215	0,596	1,331	0,127	0,020	0,352	1,513	75,147	19,824	23,155	21,543	21,017	20,658	20,860	29,910	20,368
217,500	0,216	0,593	1,326	0,128	0,020	0,355	1,513	75,128	19,802	23,150	21,542	21,014	20,645	20,850	29,907	20,357
217,833	0,216	0,587	1,343	0,128	0,022	0,360	1,512	75,150	19,752	23,162	21,537	21,014	20,640	20,854	29,915	20,358
218,167	0,216	0,587	1,333	0,128	0,021	0,359	1,512	75,135	19,832	23,199	21,547	21,018	20,655	20,862	29,918	20,361
218,500	0,216	0,588	1,335	0,128	0,022	0,359	1,511	75,118	19,712	23,193	21,546	21,025	20,653	20,864	29,935	20,362
218,833	0,216	0,584	1,325	0,128	0,017	0,363	1,512	75,124	19,769	23,195	21,551	21,020	20,652	20,861	29,946	20,362
219,167	0,215	0,589	1,333	0,128	0,010	0,358	1,512	75,129	19,819	23,178	21,542	21,026	20,654	20,877	29,952	20,368
219,500	0,216	0,591	1,332	0,128	0,016	0,357	1,511	75,101	19,842	23,160	21,550	21,010	20,654	20,866	29,944	20,356
219,833	0,216	0,587	1,316	0,128	0,018	0,360	1,512	75,119	19,854	23,200	21,552	21,018	20,659	20,866	29,969	20,362
220,167	0,217	0,586	1,340	0,128	0,017	0,361	1,511	75,124	19,900	23,176	21,550	21,022	20,655	20,878	29,983	20,365
220,500	0,215	0,588	1,337	0,127	0,022	0,359	1,512	75,115	19,814	23,168	21,545	21,019	20,660	20,871	29,968	20,360
220,833	0,214	0,589	1,346	0,127	0,014	0,359	1,512	75,076	19,784	23,176	21,545	21,027	20,663	20,874	29,981	20,362

Pellematic 56_cat II_run 1_191211.Dat

Category: II

	1102	1103	1108	1109	130	230	101	102	1	2	3	6	7	8	11	
Mättid	T4 outlet load side	T3 inlet load side	T2 inlet boiler	T1 outlet boiler	Flow load side	Flow boiler side	Heat output load side	Heat output boiler	CO chimney	CO2 chimney	O2 chimney	Pstat	Pdyn	Tunnel velocity	Våg	Tidpunkt
Minuter	°C	°C	°C	°C	m³/h	m³/h	W	W	ppm	%	%	Pa	Pa	m/s	kg	Klockan
208,834	63,379	43,998	54,691	74,595	0,503	0,503	11213,586	11484,650	35,229	9,513	10,943	5,159	53,567	9,449	969,752	2019-12-11 14:20
209,167	63,362	44,002	54,699	74,542	0,503	0,502	11215,190	11420,650	34,384	9,654	10,826	5,103	53,939	9,481	969,845	2019-12-11 14:21
209,500	63,335	44,007	54,673	74,522	0,504	0,503	11206,477	11448,120	36,483	9,756	10,728	5,109	53,485	9,441	969,750	2019-12-11 14:21
209,834	63,325	44,013	54,654	74,504	0,504	0,503	11189,945	11446,235	39,414	9,982	10,516	5,167	52,848	9,385	969,750	2019-12-11 14:21
210,167	63,315	44,017	54,639	74,492	0,504	0,504	11180,742	11460,407	43,387	10,065	10,347	5,220	53,686	9,459	969,657	2019-12-11 14:22
210,500	63,298	44,028	54,639	74,491	0,503	0,503	11147,955	11450,679	42,691	9,910	10,493	5,148	54,023	9,489	969,658	2019-12-11 14:22
210,833	63,301	44,048	54,646	74,466	0,503	0,503	11150,395	11426,587	43,711	9,750	10,679	5,126	53,832	9,472	969,751	2019-12-11 14:22
211,167	63,295	44,077	54,648	74,423	0,503	0,504	11121,855	11416,091	39,005	9,600	10,853	5,146	53,237	9,420	969,751	2019-12-11 14:23
211,500	63,292	44,102	54,654	74,399	0,503	0,501	11100,835	11346,720	38,794	9,513	10,933	5,202	53,490	9,442	969,751	2019-12-11 14:23
211,833	62,750	44,129	54,639	74,359	0,503	0,503	10781,274	11376,410	38,166	9,424	11,026	5,089	53,477	9,441	969,658	2019-12-11 14:23
212,167	62,863	44,158	54,721	74,358	0,504	0,503	10838,694	11319,371	40,438	9,447	11,024	5,120	53,383	9,433	969,747	2019-12-11 14:24
212,500	62,939	44,178	54,886	74,322	0,504	0,504	10872,740	11221,603	39,515	9,436	11,036	5,114	53,700	9,460	969,657	2019-12-11 14:24
212,833	63,360	44,196	54,953	74,342	0,503	0,502	11096,512	11152,938	38,839	9,454	11,006	5,137	53,720	9,462	969,657	2019-12-11 14:24
213,167	63,382	44,216	54,907	74,280	0,503	0,503	11090,691	11166,113	39,767	9,471	10,994	5,126	53,845	9,473	969,657	2019-12-11 14:25
213,500	63,329	44,234	54,768	74,230	0,503	0,502	11061,209	11202,946	42,447	9,742	10,757	5,159	53,003	9,399	969,657	2019-12-11 14:25
213,833	63,304	44,246	54,676	74,193	0,504	0,503	11040,991	11256,303	41,440	9,762	10,688	5,134	52,437	9,349	969,657	2019-12-11 14:25
214,167	63,286	44,253	54,653	74,250	0,504	0,503	11031,278	11310,400	40,933	9,666	10,800	5,128	53,387	9,433	969,657	2019-12-11 14:26
214,500	63,258	44,250	54,641	74,191	0,503	0,503	10995,232	11270,923	39,592	9,770	10,705	5,134	53,211	9,417	969,657	2019-12-11 14:26
214,834	63,260	44,250	54,638	74,151	0,504	0,502	11015,569	11237,265	36,490	9,822	10,653	5,093	53,264	9,422	969,657	2019-12-11 14:26
215,167	63,235	44,242	54,619	74,181	0,503	0,504	11001,028	11304,349	36,904	9,814	10,610	5,149	53,113	9,409	969,563	2019-12-11 14:27
215,500	63,241	44,222	54,625	74,133	0,504	0,502	11026,302	11223,531	36,141	9,718	10,720	5,096	53,259	9,421	969,564	2019-12-11 14:27
215,834	63,188	44,193	54,599	74,137	0,504	0,502	11005,574	11243,712	35,734	9,569	10,840	5,076	52,410	9,346	969,563	2019-12-11 14:27
216,167	63,171	44,159	54,561	74,085	0,503	0,503	11013,185	11266,615	31,538	9,526	10,938	5,120	53,631	9,454	969,550	2019-12-11 14:28
216,500	63,159	44,116	54,554	74,071	0,504	0,503	11041,249	11255,925	31,872	9,663	10,849	5,081	53,382	9,432	969,564	2019-12-11 14:28
216,833	63,131	44,076	54,540	74,054	0,504	0,502	11040,346	11226,083	38,142	9,835	10,673	5,089	53,488	9,442	969,563	2019-12-11 14:28
217,167	63,153	44,043	54,501	74,046	0,504	0,502	11073,570	11244,139	41,936	9,911	10,569	5,077	52,840	9,384	969,563	2019-12-11 14:29
217,500	63,129	44,017	54,448	74,024	0,503	0,502	11064,945	11258,762	43,871	9,761	10,641	5,112	53,245	9,420	969,563	2019-12-11 14:29
217,833	63,114	43,998	54,398	74,021	0,503	0,503	11072,869	11313,080	43,372	9,664	10,812	5,101	53,699	9,460	969,564	2019-12-11 14:29
218,167	63,354	43,989	54,376	74,006	0,503	0,502	11218,723	11308,468	42,644	9,691	10,777	5,101	53,601	9,452	969,473	2019-12-11 14:30
218,500	63,546	43,988	54,337	73,975	0,503	0,502	11331,210	11307,121	44,630	9,687	10,773	5,125	53,230	9,419	969,348	2019-12-11 14:30
218,833	63,448	43,984	54,178	73,979	0,503	0,503	11276,835	11429,609	41,445	9,596	10,880	5,124	53,270	9,422	969,472	2019-12-11 14:30
219,167	63,435	43,985	54,066	73,929	0,504	0,503	11271,332	11456,464	41,439	9,791	10,728	5,105	53,469	9,440	969,472	2019-12-11 14:31
219,500	63,414	43,985	54,019	73,924	0,503	0,502	11249,705	11467,328	43,457	9,727	10,695	5,111	52,904	9,390	969,348	2019-12-11 14:31
219,833	63,398	43,993	53,987	73,898	0,503	0,502	11230,412	11455,357	45,137	9,668	10,800	5,124	52,694	9,371	969,472	2019-12-11 14:31
220,167	63,380	43,994	53,963	73,928	0,503	0,501	11231,236	11480,819	43,992	9,637	10,816	5,105	53,495	9,442	969,472	2019-12-11 14:32
220,500	63,370	43,993	53,946	73,891	0,503	0,503	11215,101	11497,993	40,191	9,711	10,759	5,097	53,638	9,455	969,472	2019-12-11 14:32
220,833	63,325	43,993	53,936	73,896	0,503	0,503	11188,720	11508,750	39,099	9,701	10,762	5,090	53,869	9,475	969,472	2019-12-11 14:32

Pellematic 56_cat II_run 1_191211.Dat

Category: II

	301	302	304	305	306	308	317	1311	1312	1313	1314	1315	1316	1317	1318	1101
Mättid	CO chimney	CO2 chimney	Pdyn	Pstat	Static pressure chimney	O2 chimney	Våg	Flue gas temp	Ambient	Flue gas at pitot	filter temp 1	filter temp 2	gas meter temp 1	gas meter temp 2	gasmeter temp ambient	
Minuter	VDC	VDC	VDC	VDC	VDC	VDC	VDC	°C	°C	°C	°C	°C	°C	°C	°C	°C
221,167	0,215	0,587	1,332	0,128	0,021	0,360	1,511	75,064	19,714	23,220	21,553	21,023	20,657	20,868	29,983	20,362
221,500	0,215	0,588	1,330	0,126	0,024	0,359	1,510	75,045	19,776	23,227	21,543	21,026	20,660	20,864	29,986	20,358
221,834	0,214	0,590	1,331	0,128	0,010	0,357	1,510	75,053	19,828	23,230	21,551	21,025	20,651	20,869	29,994	20,361
222,167	0,215	0,588	1,330	0,127	0,014	0,359	1,510	75,038	19,836	23,224	21,546	21,029	20,659	20,870	29,988	20,360
222,500	0,215	0,589	1,323	0,127	0,016	0,358	1,510	75,017	19,727	23,235	21,550	21,027	20,658	20,874	29,987	20,358
222,834	0,217	0,587	1,329	0,128	0,014	0,360	1,509	75,020	19,684	23,190	21,553	21,019	20,661	20,871	29,984	20,360
223,167	0,218	0,587	1,336	0,129	0,012	0,360	1,508	75,022	19,686	23,205	21,547	21,035	20,661	20,882	29,990	20,361
223,500	0,217	0,577	1,332	0,128	0,011	0,369	1,509	75,024	19,789	23,223	21,562	21,033	20,658	20,888	29,992	20,364
223,833	0,218	0,580	1,336	0,128	0,009	0,365	1,510	75,025	19,735	23,218	21,553	21,026	20,670	20,879	29,994	20,362
224,167	0,218	0,582	1,327	0,128	0,010	0,363	1,509	75,000	19,750	23,220	21,549	21,027	20,671	20,894	30,009	20,366
224,500	0,218	0,587	1,336	0,127	0,018	0,359	1,509	74,993	19,777	23,187	21,560	21,022	20,666	20,890	30,033	20,368
224,833	0,219	0,590	1,341	0,128	0,015	0,357	1,508	75,012	19,775	23,191	21,560	21,024	20,660	20,900	30,049	20,368
225,167	0,219	0,598	1,323	0,127	0,018	0,350	1,507	74,973	19,834	23,212	21,554	21,025	20,661	20,885	30,027	20,362
225,500	0,218	0,597	1,317	0,126	0,012	0,351	1,507	74,933	19,776	23,222	21,546	21,018	20,659	20,899	30,042	20,360
225,833	0,218	0,599	1,327	0,125	0,017	0,350	1,508	74,922	19,756	23,215	21,542	21,020	20,656	20,888	30,040	20,360
226,167	0,217	0,607	1,335	0,127	0,015	0,343	1,508	74,962	19,830	23,253	21,552	21,026	20,667	20,894	30,056	20,360
226,500	0,217	0,610	1,335	0,128	0,019	0,340	1,507	74,957	19,850	23,237	21,549	21,031	20,665	20,899	30,062	20,361
226,833	0,218	0,613	1,345	0,128	0,018	0,338	1,507	74,957	19,882	23,207	21,549	21,027	20,655	20,901	30,062	20,360
227,167	0,218	0,612	1,318	0,126	0,016	0,339	1,507	74,920	19,776	23,214	21,556	21,027	20,668	20,892	30,063	20,360
227,500	0,219	0,610	1,329	0,127	0,014	0,341	1,507	74,888	19,829	23,256	21,561	21,030	20,657	20,904	30,075	20,362
227,833	0,219	0,601	1,334	0,127	0,017	0,349	1,507	74,863	19,888	23,221	21,557	21,022	20,661	20,899	30,078	20,362
228,167	0,218	0,596	1,321	0,126	0,009	0,353	1,506	74,839	19,893	23,250	21,560	21,030	20,653	20,898	30,085	20,360
228,500	0,217	0,598	1,317	0,127	0,015	0,350	1,506	74,864	19,874	23,260	21,551	21,025	20,653	20,911	30,078	20,361
228,834	0,216	0,591	1,333	0,126	0,012	0,357	1,507	74,856	19,911	23,228	21,577	21,039	20,653	20,905	30,084	20,364
229,167	0,215	0,582	1,323	0,127	0,011	0,364	1,505	74,855	19,953	23,172	21,549	21,029	20,653	20,913	30,080	20,358
229,500	0,216	0,583	1,324	0,128	0,006	0,362	1,505	74,826	19,941	23,142	21,549	21,026	20,659	20,909	30,082	20,362
229,834	0,217	0,587	1,327	0,128	0,018	0,358	1,505	74,816	19,976	23,135	21,549	21,030	20,658	20,907	30,085	20,362
230,167	0,216	0,588	1,327	0,127	0,010	0,358	1,505	74,798	19,941	23,151	21,549	21,029	20,663	20,918	30,080	20,360
230,500	0,217	0,594	1,318	0,128	0,013	0,352	1,505	74,770	19,867	23,133	21,554	21,025	20,664	20,925	30,090	20,362
230,833	0,218	0,602	1,325	0,128	0,015	0,346	1,505	74,731	19,909	23,199	21,560	21,035	20,652	20,922	30,084	20,365
231,167	0,218	0,604	1,319	0,128	0,006	0,345	1,504	74,707	19,928	23,190	21,554	21,036	20,656	20,920	30,079	20,364
231,500	0,218	0,605	1,333	0,126	0,017	0,344	1,504	74,664	19,930	23,237	21,562	21,043	20,662	20,911	30,073	20,364
231,833	0,219	0,603	1,316	0,127	0,016	0,346	1,504	74,662	19,925	23,166	21,553	21,027	20,656	20,925	30,077	20,363
232,167	0,219	0,600	1,331	0,127	0,021	0,349	1,504	74,656	19,955	23,155	21,542	21,035	20,660	20,920	30,066	20,366
232,500	0,219	0,602	1,326	0,127	0,015	0,347	1,504	74,649	19,988	23,137	21,552	21,032	20,669	20,923	30,092	20,370
232,833	0,218	0,599	1,331	0,125	0,017	0,349	1,504	74,624	20,020	23,193	21,569	21,037	20,670	20,930	30,101	20,373
233,167	0,216	0,597	1,317	0,125	0,015	0,351	1,503	74,645	19,969	23,226	21,567	21,045	20,671	20,936	30,094	20,374

Pellematic 56_cat II_run 1_191211.Dat

Category: II

	1102	1103	1108	1109	130	230	101	102	1	2	3	6	7	8	11	
Mättid	T4 outlet load side	T3 inlet load side	T2 inlet boiler	T1 outlet boiler	Flow load side	Flow boiler side	Heat output load side	Heat output boiler	CO chimney	CO2 chimney	O2 chimney	Pstat	Pdyn	Tunnel velocity	Våg	Tidpunkt
Minuter	°C	°C	°C	°C	m³/h	m³/h	W	W	ppm	%	%	Pa	Pa	m/s	kg	Klockan
221,167	63,276	43,992	53,953	73,884	0,503	0,502	11163,349	11468,704	42,698	9,672	10,805	5,136	53,366	9,431	969,472	2019-12-11 14:33
221,500	63,270	43,999	53,960	73,859	0,503	0,502	11157,191	11457,395	40,643	9,711	10,764	5,059	53,176	9,414	969,348	2019-12-11 14:33
221,834	63,270	44,009	53,967	73,829	0,504	0,503	11172,634	11449,664	39,427	9,749	10,725	5,110	53,297	9,425	969,348	2019-12-11 14:33
222,167	63,274	44,031	53,969	73,811	0,504	0,503	11155,908	11435,967	41,279	9,703	10,773	5,060	52,937	9,393	969,347	2019-12-11 14:34
222,500	63,270	44,060	53,975	73,788	0,504	0,503	11133,439	11423,047	42,105	9,739	10,733	5,097	53,123	9,409	969,347	2019-12-11 14:34
222,834	63,264	44,100	53,981	73,785	0,503	0,502	11094,324	11398,183	45,965	9,677	10,785	5,106	53,071	9,405	969,253	2019-12-11 14:34
223,167	63,261	44,135	53,982	73,734	0,503	0,502	11079,716	11378,648	47,650	9,634	10,807	5,151	53,393	9,433	969,253	2019-12-11 14:35
223,500	63,265	44,165	54,003	73,751	0,504	0,502	11071,935	11377,888	46,248	9,366	11,060	5,135	53,329	9,428	969,254	2019-12-11 14:35
223,833	63,268	44,192	54,017	73,752	0,503	0,503	11043,165	11383,551	47,985	9,532	10,961	5,138	53,400	9,434	969,347	2019-12-11 14:35
224,167	63,259	44,209	54,040	73,693	0,504	0,503	11036,252	11337,080	47,475	9,598	10,902	5,110	53,108	9,408	969,253	2019-12-11 14:36
224,500	63,264	44,232	54,064	73,669	0,504	0,503	11030,532	11303,295	48,070	9,655	10,779	5,083	53,469	9,440	969,253	2019-12-11 14:36
224,833	63,257	44,244	54,069	73,675	0,503	0,503	11013,523	11309,190	50,427	9,802	10,696	5,128	53,627	9,454	969,253	2019-12-11 14:36
225,167	63,231	44,245	54,071	73,616	0,503	0,501	10993,668	11238,106	49,334	9,991	10,498	5,078	52,891	9,389	969,159	2019-12-11 14:37
225,500	63,204	44,242	54,061	73,639	0,503	0,503	10980,365	11287,347	49,498	9,916	10,543	5,022	52,666	9,369	969,253	2019-12-11 14:37
225,833	63,207	44,228	54,064	73,568	0,504	0,504	10998,397	11266,491	48,580	10,017	10,499	5,014	53,497	9,443	969,253	2019-12-11 14:37
226,167	63,189	44,204	54,078	73,562	0,503	0,502	10989,530	11221,522	44,134	10,215	10,276	5,062	53,480	9,441	969,252	2019-12-11 14:38
226,500	63,160	44,171	54,069	73,582	0,503	0,503	11000,059	11256,125	45,628	10,279	10,189	5,129	53,476	9,441	969,253	2019-12-11 14:38
226,833	63,133	44,135	54,044	73,539	0,503	0,502	11004,063	11228,091	48,367	10,321	10,138	5,129	53,771	9,467	969,159	2019-12-11 14:38
227,167	63,116	44,098	54,020	73,545	0,503	0,501	11006,841	11224,433	48,994	10,291	10,178	5,045	52,781	9,379	969,159	2019-12-11 14:39
227,500	63,090	44,071	53,982	73,491	0,503	0,503	11006,206	11261,166	53,031	10,206	10,224	5,092	53,322	9,427	969,159	2019-12-11 14:39
227,833	63,080	44,051	53,974	73,502	0,503	0,503	11022,982	11257,367	49,668	9,923	10,483	5,086	53,462	9,439	969,159	2019-12-11 14:39
228,167	63,155	44,034	53,954	73,479	0,504	0,503	11079,988	11256,037	46,059	9,875	10,584	5,045	52,540	9,358	969,159	2019-12-11 14:40
228,500	63,167	44,023	53,889	73,483	0,503	0,502	11090,312	11284,204	45,225	9,955	10,513	5,080	52,789	9,380	969,065	2019-12-11 14:40
228,834	63,145	44,023	53,830	73,474	0,503	0,502	11070,079	11300,832	43,119	9,708	10,713	5,055	53,488	9,442	969,160	2019-12-11 14:40
229,167	63,123	44,026	53,781	73,469	0,503	0,502	11061,509	11331,114	40,101	9,489	10,924	5,089	52,584	9,362	969,066	2019-12-11 14:41
229,500	63,127	44,034	53,765	73,470	0,504	0,502	11068,877	11335,198	44,216	9,636	10,858	5,107	52,470	9,352	969,066	2019-12-11 14:41
229,834	63,128	44,036	53,749	73,426	0,504	0,502	11073,472	11323,704	45,896	9,680	10,748	5,108	53,432	9,437	969,066	2019-12-11 14:41
230,167	63,113	44,047	53,731	73,442	0,504	0,502	11047,724	11342,320	43,544	9,698	10,747	5,090	53,051	9,403	969,066	2019-12-11 14:42
230,500	63,597	44,055	53,726	73,423	0,504	0,501	11327,706	11324,459	46,480	9,928	10,563	5,126	52,587	9,362	969,065	2019-12-11 14:42
230,833	63,504	44,061	53,659	73,392	0,503	0,503	11255,590	11379,155	49,500	10,094	10,385	5,132	53,238	9,420	969,065	2019-12-11 14:42
231,167	63,468	44,058	53,534	73,408	0,503	0,502	11234,869	11439,636	49,333	10,125	10,348	5,112	52,624	9,365	968,973	2019-12-11 14:43
231,500	63,452	44,059	53,477	73,417	0,503	0,502	11232,425	11487,075	47,566	10,112	10,333	5,059	53,110	9,408	969,065	2019-12-11 14:43
231,833	63,432	44,054	53,450	73,385	0,503	0,502	11225,600	11466,620	49,908	10,043	10,389	5,080	52,898	9,390	968,973	2019-12-11 14:43
232,167	63,421	44,056	53,432	73,361	0,504	0,501	11221,330	11448,311	50,331	10,002	10,457	5,076	53,309	9,426	968,973	2019-12-11 14:44
232,500	63,403	44,054	53,402	73,349	0,504	0,502	11212,904	11490,117	50,749	10,066	10,405	5,090	52,860	9,386	968,973	2019-12-11 14:44
232,833	63,402	44,054	53,398	73,387	0,504	0,501	11211,598	11489,437	47,143	9,941	10,477	4,989	53,242	9,420	968,974	2019-12-11 14:44
233,167	63,398	44,054	53,398	73,338	0,503	0,502	11201,594	11471,600	41,879	9,921	10,531	4,981	52,756	9,377	968,847	2019-12-11 14:45

Pellematic 56_cat II_run 1_191211.Dat

Category: II

	301	302	304	305	306	308	317	1311	1312	1313	1314	1315	1316	1317	1318	1101
Mättid	CO chimney	CO2 chimney	Pdyn	Pstat	Static pressure chimney	O2 chimney	Våg	Flue gas temp	Ambient	Flue gas at pitot	filter temp 1	filter temp 2	gas meter temp 1	gas meter temp 2	gasmeter temp ambient	
Minuter	VDC	VDC	VDC	VDC	VDC	VDC	VDC	°C	°C	°C	°C	°C	°C	°C	°C	°C
233,500	0,216	0,594	1,312	0,125	0,012	0,355	1,503	74,617	19,921	23,171	21,550	21,035	20,666	20,935	30,075	20,368
233,833	0,217	0,583	1,304	0,128	0,007	0,364	1,504	74,578	19,956	23,219	21,551	21,025	20,665	20,942	30,079	20,368
234,167	0,219	0,583	1,320	0,127	0,015	0,362	1,502	74,555	19,964	23,237	21,570	21,028	20,665	20,927	30,077	20,368
234,500	0,220	0,588	1,307	0,127	0,018	0,359	1,504	74,560	20,019	23,152	21,553	21,029	20,662	20,942	30,084	20,373
234,834	0,220	0,587	1,309	0,128	0,021	0,361	1,503	74,569	20,035	23,150	21,550	21,024	20,680	20,941	30,088	20,371
235,167	0,219	0,584	1,316	0,128	0,015	0,362	1,502	74,533	20,080	23,175	21,557	21,037	20,673	20,947	30,092	20,374
235,500	0,217	0,592	1,321	0,127	0,016	0,356	1,502	74,498	20,040	23,205	21,550	21,032	20,673	20,949	30,094	20,376
235,834	0,220	0,589	1,311	0,128	0,019	0,359	1,502	74,487	20,039	23,154	21,557	21,030	20,673	20,940	30,092	20,374
236,167	0,221	0,580	1,311	0,127	0,022	0,367	1,502	74,440	20,036	23,183	21,562	21,028	20,665	20,950	30,076	20,378
236,500	0,220	0,576	1,309	0,127	0,013	0,370	1,502	74,438	20,046	23,212	21,551	21,041	20,672	20,947	30,071	20,377
236,834	0,219	0,574	1,329	0,128	0,012	0,371	1,502	74,396	20,047	23,181	21,569	21,036	20,664	20,955	30,077	20,381
237,167	0,219	0,572	1,324	0,126	0,013	0,373	1,501	74,357	20,054	23,220	21,560	21,041	20,669	20,961	30,080	20,380
237,500	0,218	0,573	1,324	0,127	0,016	0,372	1,500	74,324	20,068	23,194	21,569	21,036	20,680	20,967	30,087	20,385
237,833	0,218	0,581	1,323	0,129	0,016	0,365	1,502	74,328	20,087	23,210	21,563	21,033	20,669	20,964	30,089	20,379
238,167	0,217	0,584	1,321	0,129	0,017	0,363	1,500	74,304	20,101	23,159	21,556	21,038	20,682	20,965	30,074	20,383
238,500	0,216	0,578	1,329	0,129	0,010	0,368	1,500	74,322	20,069	23,122	21,563	21,040	20,675	20,965	30,080	20,384
238,833	0,215	0,579	1,333	0,129	0,014	0,366	1,499	74,356	20,181	23,185	21,581	21,037	20,686	20,971	30,084	20,393
239,167	0,216	0,585	1,328	0,129	0,014	0,362	1,499	74,336	20,210	23,224	21,578	21,046	20,693	20,977	30,084	20,398
239,500	0,216	0,583	1,310	0,130	0,010	0,363	1,500	74,327	20,123	23,194	21,571	21,046	20,683	20,975	30,076	20,393
239,833	0,217	0,580	1,318	0,129	0,011	0,366	1,499	74,314	20,125	23,171	21,575	21,049	20,680	20,982	30,082	20,392
240,167	0,217	0,576	1,323	0,128	0,015	0,370	1,499	74,287	20,159	23,212	21,574	21,039	20,689	20,979	30,093	20,397
240,500	0,216	0,565	1,338	0,128	0,015	0,379	1,499	74,288	20,164	23,260	21,582	21,052	20,671	20,973	30,079	20,394
240,833	0,216	0,556	1,333	0,127	0,009	0,387	1,499	74,246	20,142	23,299	21,588	21,044	20,676	20,973	30,081	20,392
241,167	0,215	0,557	1,317	0,127	0,010	0,385	1,499	74,219	20,182	23,263	21,591	21,061	20,686	20,986	30,085	20,402
241,500	0,216	0,567	1,323	0,128	0,014	0,375	1,498	74,171	20,181	23,240	21,590	21,040	20,685	20,985	30,064	20,398
241,834	0,216	0,575	1,335	0,128	0,021	0,369	1,498	74,168	20,176	23,240	21,592	21,041	20,681	20,988	30,064	20,398
242,167	0,216	0,572	1,330	0,128	0,030	0,373	1,498	74,152	20,128	23,218	21,579	21,050	20,682	20,992	30,066	20,400
242,500	0,217	0,571	1,320	0,126	0,015	0,374	1,498	74,124	20,094	23,268	21,591	21,057	20,688	20,985	30,061	20,400
242,834	0,217	0,572	1,329	0,126	0,023	0,372	1,498	74,136	20,159	23,256	21,596	21,037	20,693	20,992	30,081	20,403
243,167	0,216	0,578	1,332	0,126	0,019	0,367	1,498	74,132	20,159	23,266	21,598	21,050	20,692	20,999	30,082	20,400
243,500	0,215	0,584	1,335	0,127	0,021	0,362	1,498	74,149	20,074	23,264	21,611	21,044	20,690	21,005	30,096	20,404
243,834	0,215	0,590	1,339	0,127	0,023	0,357	1,498	74,162	20,095	23,239	21,592	21,041	20,688	20,994	30,112	20,403
244,167	0,215	0,593	1,329	0,127	0,018	0,355	1,497	74,170	20,054	23,236	21,591	21,054	20,689	20,996	30,116	20,403
244,500	0,215	0,592	1,327	0,128	0,018	0,355	1,497	74,173	19,958	23,255	21,589	21,040	20,694	20,996	30,104	20,403
244,833	0,215	0,598	1,333	0,128	0,022	0,350	1,496	74,152	19,993	23,212	21,576	21,049	20,689	20,992	30,114	20,401
245,167	0,216	0,607	1,325	0,127	0,022	0,343	1,496	74,147	20,058	23,225	21,595	21,052	20,690	20,994	30,119	20,405
245,500	0,219	0,597	1,330	0,126	0,023	0,352	1,497	74,151	19,960	23,223	21,578	21,054	20,688	21,013	30,118	20,404

Pellematic 56_cat II_run 1_191211.Dat

Category: II

	1102	1103	1108	1109	130	230	101	102	1	2	3	6	7	8	11	
Mättid	T4 outlet load side	T3 inlet load side	T2 inlet boiler	T1 outlet boiler	Flow load side	Flow boiler side	Heat output load side	Heat output boiler	CO chimney	CO2 chimney	O2 chimney	Pstat	Pdyn	Tunnel velocity	Våg	Tidpunkt
Minuter	°C	°C	°C	°C	m³/h	m³/h	W	W	ppm	%	%	Pa	Pa	m/s	kg	Klockan
233,500	63,300	44,049	53,388	73,304	0,503	0,501	11151,008	11450,008	45,086	9,801	10,638	5,012	52,379	9,343	968,865	2019-12-11 14:45
233,833	63,284	44,048	53,396	73,316	0,503	0,501	11125,990	11452,714	47,483	9,490	10,933	5,130	52,287	9,335	968,973	2019-12-11 14:45
234,167	63,307	44,046	53,420	73,285	0,502	0,502	11136,717	11427,466	51,676	9,641	10,869	5,069	53,002	9,399	968,847	2019-12-11 14:46
234,500	63,290	44,038	53,419	73,284	0,503	0,501	11137,431	11417,949	51,718	9,677	10,776	5,064	52,156	9,323	968,973	2019-12-11 14:46
234,834	63,280	44,036	53,427	73,276	0,503	0,502	11128,751	11435,481	52,860	9,639	10,820	5,126	52,665	9,369	968,848	2019-12-11 14:46
235,167	63,282	44,032	53,432	73,238	0,503	0,501	11142,574	11384,478	48,409	9,662	10,871	5,128	52,243	9,331	968,847	2019-12-11 14:47
235,500	63,264	44,020	53,421	73,226	0,503	0,501	11130,327	11369,022	47,807	9,823	10,673	5,082	52,582	9,361	968,847	2019-12-11 14:47
235,834	63,245	44,021	53,393	73,227	0,503	0,501	11129,350	11399,521	52,192	9,716	10,773	5,134	52,486	9,353	968,847	2019-12-11 14:47
236,167	63,242	44,014	53,388	73,223	0,503	0,501	11131,877	11407,691	54,789	9,446	11,006	5,097	52,579	9,361	968,847	2019-12-11 14:48
236,500	63,235	44,009	53,382	73,174	0,503	0,502	11120,549	11394,324	52,938	9,388	11,101	5,085	52,379	9,343	968,848	2019-12-11 14:48
236,834	63,215	44,003	53,382	73,189	0,503	0,501	11124,256	11383,870	51,850	9,340	11,144	5,108	52,912	9,391	968,847	2019-12-11 14:48
237,167	63,215	44,009	53,373	73,141	0,503	0,500	11126,009	11338,720	48,990	9,305	11,198	5,037	53,084	9,406	968,797	2019-12-11 14:49
237,500	63,203	44,020	53,347	73,125	0,503	0,501	11096,174	11361,977	49,077	9,332	11,168	5,068	53,179	9,414	968,660	2019-12-11 14:49
237,833	63,180	44,048	53,341	73,109	0,503	0,501	11076,473	11352,417	48,152	9,594	10,939	5,141	52,957	9,395	968,847	2019-12-11 14:49
238,167	63,189	44,083	53,344	73,092	0,503	0,501	11064,382	11348,336	45,970	9,565	10,892	5,160	53,020	9,400	968,660	2019-12-11 14:50
238,500	63,173	44,119	53,345	73,046	0,503	0,502	11023,951	11344,060	41,625	9,419	11,042	5,150	53,062	9,404	968,659	2019-12-11 14:50
238,833	63,190	44,157	53,366	73,039	0,503	0,501	11013,940	11307,845	41,610	9,523	10,984	5,160	53,384	9,433	968,660	2019-12-11 14:50
239,167	63,178	44,183	53,382	73,035	0,503	0,501	10989,895	11289,935	42,702	9,635	10,846	5,165	52,776	9,379	968,659	2019-12-11 14:51
239,500	63,176	44,198	53,398	73,029	0,503	0,500	10981,226	11263,257	43,453	9,568	10,892	5,185	52,569	9,360	968,753	2019-12-11 14:51
239,833	63,161	44,189	53,397	72,983	0,503	0,501	10971,536	11248,668	46,320	9,497	10,973	5,157	52,697	9,372	968,702	2019-12-11 14:51
240,167	63,148	44,159	53,404	72,956	0,503	0,502	10984,215	11261,015	43,772	9,367	11,089	5,104	52,832	9,384	968,660	2019-12-11 14:52
240,500	63,126	44,129	53,418	72,958	0,503	0,501	10997,780	11220,126	44,464	9,073	11,367	5,119	53,504	9,443	968,753	2019-12-11 14:52
240,833	63,089	44,092	53,394	72,898	0,503	0,501	10989,578	11216,251	42,452	8,860	11,596	5,072	53,223	9,418	968,660	2019-12-11 14:52
241,167	63,152	44,062	53,379	72,892	0,503	0,501	11047,197	11219,518	41,782	8,960	11,540	5,064	52,608	9,364	968,659	2019-12-11 14:53
241,500	63,195	44,034	53,358	72,886	0,503	0,502	11086,111	11253,476	44,724	9,255	11,252	5,130	53,156	9,412	968,660	2019-12-11 14:53
241,834	63,162	44,025	53,291	72,830	0,502	0,501	11063,338	11219,533	43,210	9,374	11,084	5,108	53,490	9,442	968,566	2019-12-11 14:53
242,167	63,136	44,024	53,232	72,828	0,503	0,502	11061,198	11275,822	43,714	9,266	11,185	5,121	53,243	9,420	968,566	2019-12-11 14:54
242,500	63,107	44,035	53,211	72,803	0,503	0,502	11047,098	11270,145	45,811	9,245	11,209	5,027	52,870	9,387	968,566	2019-12-11 14:54
242,834	63,576	44,052	53,181	72,778	0,502	0,501	11286,766	11261,497	45,644	9,344	11,148	5,021	53,168	9,413	968,660	2019-12-11 14:54
243,167	63,452	44,062	53,088	72,768	0,503	0,501	11218,185	11305,421	42,720	9,458	11,011	5,060	53,374	9,432	968,566	2019-12-11 14:55
243,500	63,401	44,069	52,951	72,745	0,503	0,501	11184,490	11377,108	40,003	9,639	10,852	5,067	53,576	9,449	968,566	2019-12-11 14:55
243,834	63,380	44,072	52,887	72,724	0,503	0,501	11164,333	11401,499	41,440	9,765	10,717	5,067	53,908	9,479	968,660	2019-12-11 14:55
244,167	63,374	44,068	52,865	72,704	0,503	0,500	11167,779	11384,261	41,438	9,819	10,662	5,079	53,222	9,418	968,565	2019-12-11 14:56
244,500	63,342	44,062	52,843	72,667	0,503	0,501	11163,521	11386,583	41,521	9,805	10,654	5,133	53,115	9,409	968,566	2019-12-11 14:56
244,833	63,315	44,049	52,824	72,664	0,503	0,501	11147,984	11395,919	40,266	10,001	10,494	5,127	53,449	9,438	968,566	2019-12-11 14:56
245,167	63,312	44,042	52,813	72,643	0,502	0,502	11139,668	11410,429	46,307	10,194	10,284	5,086	52,929	9,392	968,474	2019-12-11 14:57
245,500	63,296	44,043	52,815	72,611	0,503	0,501	11139,598	11368,548	50,004	9,842	10,546	5,052	52,956	9,395	968,566	2019-12-11 14:57

Pellematic 56_cat II_run 1_191211.Dat

Category: II

	301	302	304	305	306	308	317	1311	1312	1313	1314	1315	1316	1317	1318	1101
Mättid	CO chimney	CO2 chimney	Pdyn	Pstat	Static pressure chimney	O2 chimney	Våg	Flue gas temp	Ambient	Flue gas at pitot	filter temp 1	filter temp 2	gas meter temp 1	gas meter temp 2	gasmeter temp ambient	
Minuter	VDC	VDC	VDC	VDC	VDC	VDC	VDC	°C	°C	°C	°C	°C	°C	°C	°C	°C
245,833	0,218	0,588	1,327	0,126	0,021	0,359	1,496	74,118	19,990	23,204	21,588	21,057	20,691	21,010	30,131	20,408
246,167	0,217	0,585	1,338	0,126	0,017	0,361	1,497	74,110	19,783	23,180	21,563	21,043	20,685	21,006	30,128	20,403
246,500	0,216	0,582	1,337	0,127	0,014	0,364	1,496	74,084	19,717	23,158	21,555	21,041	20,686	20,998	30,131	20,408
246,833	0,215	0,578	1,336	0,126	0,013	0,368	1,496	74,048	19,690	23,168	21,552	21,031	20,684	20,995	30,153	20,406
247,167	0,216	0,577	1,331	0,126	0,022	0,368	1,496	74,029	19,596	23,165	21,569	21,035	20,690	21,002	30,173	20,406
247,500	0,217	0,570	1,332	0,127	0,021	0,375	1,495	74,022	19,600	23,165	21,561	21,045	20,677	20,999	30,170	20,400
247,833	0,215	0,567	1,341	0,126	0,012	0,377	1,496	74,024	19,621	23,129	21,559	21,041	20,682	20,998	30,193	20,404
248,167	0,216	0,570	1,344	0,126	0,015	0,374	1,495	74,032	19,696	23,109	21,554	21,036	20,690	21,000	30,190	20,399
248,500	0,217	0,572	1,329	0,128	0,020	0,373	1,495	74,002	19,752	23,125	21,553	21,039	20,687	21,001	30,204	20,397
248,834	0,218	0,564	1,321	0,126	0,018	0,380	1,496	73,974	19,835	23,145	21,557	21,036	20,684	20,995	30,212	20,395
249,167	0,219	0,553	1,327	0,126	0,015	0,390	1,495	73,954	19,861	23,173	21,562	21,052	20,699	21,005	30,216	20,400
249,500	0,218	0,549	1,335	0,126	0,014	0,392	1,495	73,952	19,880	23,126	21,562	21,041	20,691	21,001	30,207	20,394
249,834	0,218	0,549	1,337	0,127	0,014	0,393	1,496	73,950	19,884	23,079	21,545	21,036	20,689	21,010	30,213	20,396
250,167	0,218	0,551	1,332	0,126	0,016	0,390	1,495	73,943	19,748	23,054	21,544	21,027	20,685	20,999	30,214	20,390
250,500	0,217	0,558	1,332	0,127	0,021	0,383	1,494	73,976	19,720	23,050	21,536	21,029	20,692	21,008	30,227	20,389
250,833	0,217	0,563	1,331	0,126	0,022	0,380	1,493	73,952	19,715	23,023	21,532	21,028	20,686	21,004	30,231	20,384
251,167	0,217	0,562	1,342	0,128	0,017	0,381	1,494	73,920	19,681	22,968	21,520	21,015	20,684	21,000	30,235	20,382
251,500	0,220	0,563	1,334	0,127	0,013	0,379	1,493	73,898	19,802	22,987	21,520	21,025	20,686	20,998	30,256	20,382
251,833	0,223	0,568	1,326	0,124	0,015	0,376	1,494	73,912	19,642	23,035	21,522	21,019	20,677	21,006	30,256	20,382
252,167	0,222	0,566	1,326	0,126	0,017	0,378	1,494	73,879	19,625	22,998	21,507	21,013	20,688	20,994	30,246	20,380
252,500	0,222	0,562	1,329	0,126	0,023	0,381	1,493	73,864	19,691	22,975	21,501	21,025	20,680	21,002	30,259	20,381
252,833	0,220	0,567	1,344	0,127	0,012	0,376	1,492	73,856	19,685	22,999	21,507	21,021	20,688	21,005	30,267	20,376
253,167	0,222	0,578	1,315	0,124	0,016	0,368	1,492	73,840	19,668	22,930	21,497	21,018	20,683	20,999	30,284	20,376
253,500	0,223	0,579	1,330	0,126	0,012	0,367	1,492	73,833	19,685	22,895	21,498	21,014	20,688	21,010	30,300	20,378
253,833	0,224	0,578	1,331	0,125	0,011	0,368	1,492	73,792	19,609	22,976	21,495	21,013	20,686	21,008	30,297	20,370
254,167	0,221	0,584	1,331	0,126	0,013	0,362	1,492	73,781	19,464	23,001	21,497	21,007	20,685	21,010	30,303	20,371
254,500	0,221	0,587	1,342	0,126	0,011	0,360	1,492	73,780	19,537	23,012	21,493	21,012	20,687	21,022	30,324	20,368
254,833	0,220	0,585	1,328	0,125	0,016	0,362	1,491	73,777	19,633	23,027	21,496	21,013	20,695	21,020	30,334	20,368
255,167	0,219	0,591	1,329	0,125	0,009	0,355	1,492	73,799	19,669	22,999	21,506	21,014	20,688	21,010	30,340	20,368
255,500	0,220	0,604	1,332	0,125	0,007	0,345	1,491	73,820	19,608	22,992	21,491	21,012	20,687	21,023	30,346	20,362
255,834	0,221	0,606	1,341	0,126	0,020	0,344	1,491	73,826	19,633	22,946	21,499	21,015	20,691	21,029	30,350	20,366
256,167	0,222	0,608	1,343	0,127	0,015	0,343	1,491	73,792	19,649	22,955	21,478	21,008	20,685	21,025	30,359	20,358
256,500	0,221	0,606	1,334	0,126	0,014	0,343	1,491	73,796	19,637	22,997	21,474	21,001	20,696	21,027	30,361	20,358
256,834	0,220	0,607	1,345	0,124	0,009	0,342	1,490	73,812	19,661	22,986	21,471	21,002	20,685	21,028	30,375	20,353
257,167	0,219	0,608	1,335	0,124	0,017	0,343	1,491	73,776	19,670	22,998	21,475	20,993	20,688	21,024	30,375	20,352
257,500	0,221	0,606	1,332	0,126	0,019	0,343	1,490	73,762	19,680	23,010	21,472	20,997	20,694	21,029	30,400	20,356
257,833	0,221	0,609	1,322	0,126	0,016	0,341	1,490	73,722	19,636	22,945	21,474	20,988	20,681	21,030	30,399	20,351

Pellematic 56_cat II_run 1_191211.Dat

Category: II

	1102	1103	1108	1109	130	230	101	102	1	2	3	6	7	8	11	
Mättid	T4 outlet load side	T3 inlet load side	T2 inlet boiler	T1 outlet boiler	Flow load side	Flow boiler side	Heat output load side	Heat output boiler	CO chimney	CO2 chimney	O2 chimney	Pstat	Pdyn	Tunnel velocity	Våg	Tidpunkt
Minuter	°C	°C	°C	°C	m ³ /h	m ³ /h	W	W	ppm	%	%	Pa	Pa	m/s	kg	Klockan
245,833	63,292	44,038	52,802	72,634	0,502	0,502	11128,119	11409,661	49,166	9,663	10,756	5,029	53,143	9,411	968,556	2019-12-11 14:57
246,167	63,280	44,037	52,806	72,585	0,502	0,500	11123,998	11352,717	45,209	9,615	10,843	5,034	53,711	9,461	968,566	2019-12-11 14:58
246,500	63,256	44,036	52,788	72,546	0,503	0,501	11128,698	11362,765	42,024	9,528	10,920	5,081	53,336	9,428	968,541	2019-12-11 14:58
246,833	63,240	44,036	52,779	72,540	0,503	0,501	11117,122	11348,391	41,272	9,414	11,037	5,035	53,646	9,456	968,474	2019-12-11 14:58
247,167	63,239	44,029	52,769	72,535	0,503	0,501	11109,478	11354,743	45,209	9,408	11,053	5,031	52,822	9,383	968,474	2019-12-11 14:59
247,500	63,228	44,030	52,751	72,521	0,503	0,501	11106,655	11356,705	44,057	9,196	11,240	5,067	53,096	9,407	968,475	2019-12-11 14:59
247,833	63,211	44,028	52,756	72,467	0,502	0,501	11089,887	11317,691	41,464	9,165	11,299	5,033	53,653	9,456	968,474	2019-12-11 14:59
248,167	63,192	44,019	52,743	72,510	0,503	0,499	11089,819	11322,147	43,107	9,291	11,213	5,052	53,498	9,443	968,474	2019-12-11 15:00
248,500	63,168	44,009	52,721	72,415	0,503	0,501	11094,344	11317,394	47,981	9,281	11,180	5,110	52,808	9,382	968,474	2019-12-11 15:00
248,834	63,145	44,004	52,714	72,396	0,504	0,502	11092,823	11323,445	48,737	9,027	11,408	5,048	52,537	9,357	968,474	2019-12-11 15:00
249,167	63,127	44,006	52,706	72,403	0,503	0,501	11075,190	11310,552	52,577	8,788	11,686	5,027	52,931	9,392	968,474	2019-12-11 15:01
249,500	63,116	44,007	52,695	72,357	0,503	0,499	11062,620	11255,390	49,076	8,718	11,767	5,042	53,467	9,440	968,349	2019-12-11 15:01
249,834	63,145	44,011	52,666	72,332	0,503	0,501	11082,404	11291,852	49,498	8,724	11,775	5,063	53,573	9,449	968,474	2019-12-11 15:01
250,167	63,137	44,023	52,651	72,333	0,503	0,500	11073,731	11299,579	48,320	8,804	11,704	5,046	53,082	9,406	968,475	2019-12-11 15:02
250,500	63,111	44,034	52,638	72,292	0,503	0,500	11046,361	11280,439	44,968	9,005	11,504	5,071	53,102	9,408	968,348	2019-12-11 15:02
250,833	63,517	44,050	52,620	72,272	0,504	0,501	11287,290	11290,391	46,966	9,096	11,393	5,039	53,186	9,415	968,254	2019-12-11 15:02
251,167	63,399	44,072	52,519	72,220	0,504	0,501	11199,312	11316,431	45,546	9,011	11,442	5,129	53,656	9,457	968,348	2019-12-11 15:03
251,500	63,356	44,086	52,413	72,214	0,504	0,501	11168,050	11382,136	55,794	9,133	11,374	5,063	53,421	9,436	968,254	2019-12-11 15:03
251,833	63,344	44,101	52,375	72,182	0,503	0,501	11142,341	11374,141	61,320	9,203	11,277	4,979	52,776	9,379	968,348	2019-12-11 15:03
252,167	63,323	44,115	52,358	72,171	0,504	0,500	11137,421	11367,176	56,718	9,130	11,349	5,037	53,505	9,443	968,348	2019-12-11 15:04
252,500	63,311	44,126	52,342	72,065	0,504	0,500	11119,971	11321,002	56,376	9,036	11,433	5,024	53,091	9,407	968,254	2019-12-11 15:04
252,833	63,294	44,139	52,330	72,088	0,504	0,500	11101,462	11343,154	53,930	9,258	11,289	5,065	53,722	9,462	968,254	2019-12-11 15:04
253,167	63,278	44,144	52,331	72,050	0,503	0,501	11082,989	11326,229	59,901	9,488	11,027	4,964	52,571	9,360	968,253	2019-12-11 15:05
253,500	63,250	44,147	52,325	72,013	0,503	0,500	11055,357	11302,660	62,355	9,471	11,004	5,044	53,188	9,415	968,254	2019-12-11 15:05
253,833	63,246	44,148	52,331	71,984	0,503	0,501	11055,406	11298,923	62,423	9,470	11,036	5,010	53,087	9,406	968,254	2019-12-11 15:05
254,167	63,221	44,157	52,334	71,974	0,504	0,501	11049,914	11284,591	55,875	9,621	10,861	5,040	53,311	9,426	968,253	2019-12-11 15:06
254,500	63,210	44,162	52,323	71,924	0,504	0,501	11040,725	11257,645	55,631	9,644	10,790	5,031	53,614	9,453	968,254	2019-12-11 15:06
254,833	63,178	44,169	52,321	71,916	0,504	0,501	11015,062	11254,138	53,616	9,613	10,855	4,980	53,293	9,425	968,160	2019-12-11 15:06
255,167	63,178	44,174	52,319	71,897	0,504	0,502	11015,820	11274,501	51,429	9,871	10,657	4,983	53,137	9,411	968,254	2019-12-11 15:07
255,500	63,149	44,181	52,320	71,856	0,504	0,501	10990,891	11227,499	54,531	10,161	10,349	5,001	53,110	9,408	968,160	2019-12-11 15:07
255,834	63,157	44,185	52,317	71,852	0,504	0,501	10996,363	11230,294	56,044	10,153	10,316	5,056	53,825	9,471	968,160	2019-12-11 15:07
256,167	63,182	44,190	52,300	71,840	0,503	0,501	10993,295	11228,559	59,559	10,201	10,276	5,087	53,657	9,457	968,160	2019-12-11 15:08
256,500	63,143	44,188	52,286	71,822	0,504	0,501	10986,904	11222,564	52,678	10,153	10,283	5,040	53,592	9,451	968,160	2019-12-11 15:08
256,834	63,129	44,188	52,261	71,772	0,503	0,500	10964,288	11200,433	52,261	10,214	10,273	4,962	53,617	9,453	968,160	2019-12-11 15:08
257,167	63,111	44,187	52,248	71,781	0,504	0,500	10969,674	11215,742	50,336	10,158	10,282	4,976	53,623	9,454	968,161	2019-12-11 15:09
257,500	63,099	44,192	52,235	71,734	0,504	0,501	10961,061	11212,408	58,394	10,160	10,302	5,021	53,499	9,443	968,066	2019-12-11 15:09
257,833	63,088	44,194	52,228	71,732	0,504	0,501	10948,023	11215,717	55,451	10,246	10,216	5,030	52,837	9,384	968,160	2019-12-11 15:09

Pellematic 56_cat II_run 1_191211.Dat

Category: II

	301	302	304	305	306	308	317	1311	1312	1313	1314	1315	1316	1317	1318	1101
Mättid	CO chimney	CO2 chimney	Pdyn	Pstat	Static pressure chimney	O2 chimney	Våg	Flue gas temp	Ambient	Flue gas at pitot	filter temp 1	filter temp 2	gas meter temp 1	gas meter temp 2	gasmeter temp ambient	
Minuter	VDC	VDC	VDC	VDC	VDC	VDC	VDC	°C	°C	°C	°C	°C	°C	°C	°C	°C
258,167	0,219	0,615	1,326	0,125	0,016	0,335	1,491	73,719	19,653	22,994	21,449	20,996	20,686	21,019	30,418	20,348
258,500	0,219	0,618	1,321	0,125	0,013	0,334	1,490	73,697	19,619	23,029	21,461	20,977	20,686	21,034	30,415	20,346
258,833	0,219	0,612	1,321	0,124	0,018	0,340	1,489	73,702	19,591	22,968	21,452	20,981	20,688	21,037	30,420	20,345
259,167	0,219	0,601	1,314	0,125	0,011	0,349	1,489	73,711	19,541	22,981	21,454	20,987	20,678	21,034	30,421	20,346
259,500	0,218	0,599	1,325	0,124	0,007	0,350	1,489	73,713	19,577	22,982	21,444	20,974	20,676	21,035	30,427	20,339
259,833	0,217	0,600	1,328	0,125	0,007	0,350	1,488	73,715	19,584	22,929	21,432	20,975	20,669	21,021	30,424	20,333
260,167	0,216	0,600	1,338	0,125	0,009	0,348	1,489	73,696	19,496	22,918	21,421	20,966	20,672	21,023	30,431	20,333
260,500	0,216	0,614	1,341	0,124	0,017	0,336	1,488	73,662	19,396	22,950	21,410	20,966	20,668	21,025	30,418	20,327
260,833	0,217	0,624	1,338	0,125	0,012	0,328	1,484	73,634	19,458	22,930	21,412	20,951	20,659	21,030	30,416	20,322
261,167	0,217	0,624	1,346	0,126	0,017	0,329	1,488	73,647	19,551	22,897	21,412	20,950	20,672	21,021	30,426	20,320
261,500	0,216	0,623	1,339	0,125	0,023	0,328	1,488	73,651	19,572	22,906	21,413	20,957	20,664	21,040	30,437	20,319
261,833	0,216	0,623	1,323	0,126	0,021	0,329	1,488	73,614	19,490	22,870	21,409	20,952	20,665	21,030	30,439	20,317
262,167	0,215	0,620	1,332	0,125	0,015	0,332	1,488	73,642	19,540	22,862	21,410	20,962	20,664	21,030	30,433	20,317
262,500	0,214	0,618	1,332	0,125	0,012	0,333	1,488	73,613	19,447	22,878	21,404	20,947	20,658	21,024	30,440	20,311
262,834	0,213	0,618	1,335	0,126	0,021	0,334	1,487	73,583	19,490	22,862	21,407	20,944	20,657	21,029	30,438	20,305
263,167	0,213	0,612	1,343	0,127	0,017	0,339	1,488	73,563	19,562	22,859	21,410	20,955	20,662	21,038	30,457	20,307
263,500	0,213	0,610	1,332	0,125	0,011	0,340	1,487	73,530	19,504	22,946	21,414	20,945	20,671	21,027	30,460	20,303
263,834	0,214	0,614	1,330	0,126	0,008	0,337	1,489	73,534	19,610	22,917	21,412	20,953	20,660	21,026	30,454	20,301
264,167	0,214	0,609	1,336	0,126	0,013	0,341	1,486	73,554	19,539	22,881	21,416	20,944	20,659	21,036	30,463	20,295
264,500	0,214	0,605	1,346	0,126	0,013	0,344	1,486	73,547	19,543	22,870	21,402	20,941	20,667	21,044	30,460	20,295
264,833	0,215	0,607	1,349	0,125	0,016	0,342	1,485	73,537	19,569	22,851	21,410	20,954	20,664	21,046	30,462	20,299
265,167	0,215	0,605	1,349	0,125	0,013	0,345	1,484	73,535	19,640	22,880	21,403	20,944	20,667	21,032	30,447	20,288
265,500	0,215	0,603	1,329	0,125	0,016	0,346	1,485	73,516	19,491	22,893	21,420	20,950	20,653	21,039	30,448	20,289
265,833	0,216	0,608	1,339	0,124	0,022	0,342	1,484	73,518	19,520	22,862	21,403	20,938	20,661	21,032	30,459	20,281
266,167	0,216	0,614	1,346	0,124	0,012	0,336	1,484	73,476	19,587	22,894	21,406	20,948	20,668	21,051	30,448	20,283
266,500	0,216	0,614	1,335	0,124	0,014	0,338	1,483	73,458	19,500	22,867	21,398	20,934	20,658	21,045	30,451	20,275
266,833	0,216	0,610	1,331	0,124	0,012	0,340	1,484	73,464	19,471	22,896	21,399	20,938	20,656	21,045	30,461	20,278
267,167	0,216	0,610	1,347	0,125	0,013	0,340	1,483	73,437	19,511	22,836	21,407	20,938	20,664	21,050	30,472	20,279
267,500	0,216	0,612	1,330	0,124	0,012	0,338	1,483	73,415	19,375	22,870	21,405	20,933	20,659	21,046	30,467	20,269
267,833	0,216	0,612	1,341	0,125	0,015	0,339	1,483	73,412	19,390	22,881	21,400	20,943	20,655	21,048	30,463	20,272
268,167	0,217	0,615	1,344	0,126	0,015	0,336	1,483	73,404	19,477	22,888	21,395	20,933	20,661	21,042	30,459	20,263
268,500	0,216	0,612	1,346	0,125	0,014	0,339	1,483	73,402	19,510	22,880	21,388	20,926	20,659	21,037	30,457	20,257
268,834	0,216	0,611	1,318	0,125	0,011	0,340	1,483	73,400	19,488	22,853	21,397	20,933	20,665	21,049	30,458	20,259
269,167	0,215	0,614	1,336	0,124	0,014	0,337	1,482	73,419	19,425	22,823	21,377	20,919	20,651	21,036	30,463	20,252
269,500	0,215	0,613	1,336	0,124	0,015	0,338	1,482	73,418	19,499	22,832	21,365	20,910	20,647	21,035	30,454	20,247
269,834	0,214	0,611	1,332	0,125	0,016	0,340	1,482	73,420	19,558	22,809	21,377	20,916	20,650	21,035	30,449	20,243
270,167	0,215	0,616	1,339	0,124	0,014	0,335	1,482	73,372	19,458	22,791	21,381	20,915	20,656	21,041	30,456	20,239

Pellematic 56_cat II_run 1_191211.Dat

Category: II

	1102	1103	1108	1109	130	230	101	102	1	2	3	6	7	8	11	
Mättid	T4 outlet load side	T3 inlet load side	T2 inlet boiler	T1 outlet boiler	Flow load side	Flow boiler side	Heat output load side	Heat output boiler	CO chimney	CO2 chimney	O2 chimney	Pstat	Pdyn	Tunnel velocity	Våg	Tidpunkt
Minuter	°C	°C	°C	°C	m ³ /h	m ³ /h	W	W	ppm	%	%	Pa	Pa	m/s	kg	Klockan
258,167	63,092	44,192	52,234	71,731	0,503	0,501	10942,318	11208,264	50,582	10,433	10,064	4,992	53,247	9,420	968,160	2019-12-11 15:10
258,500	63,317	44,205	52,239	71,690	0,504	0,501	11073,150	11190,341	50,498	10,430	10,026	5,016	52,863	9,386	968,160	2019-12-11 15:10
258,833	63,431	44,206	52,224	71,701	0,504	0,501	11138,038	11190,069	51,006	10,239	10,202	4,979	52,840	9,384	968,066	2019-12-11 15:10
259,167	63,354	44,211	52,099	71,704	0,504	0,501	11099,415	11269,442	48,737	9,966	10,466	5,013	52,197	9,327	968,067	2019-12-11 15:11
259,500	63,321	44,213	52,008	71,674	0,504	0,501	11072,904	11310,571	47,062	9,996	10,495	4,944	53,034	9,402	968,066	2019-12-11 15:11
259,833	63,321	44,211	51,980	71,701	0,504	0,500	11080,625	11319,903	45,219	9,980	10,485	5,020	53,335	9,428	968,066	2019-12-11 15:11
260,167	63,304	44,201	51,951	71,661	0,504	0,500	11067,039	11306,188	43,114	10,077	10,454	5,006	53,728	9,463	968,066	2019-12-11 15:12
260,500	63,298	44,198	51,931	71,638	0,503	0,499	11064,927	11290,069	45,885	10,438	10,092	4,948	53,474	9,441	967,974	2019-12-11 15:12
260,833	63,290	44,191	51,919	71,648	0,504	0,500	11067,494	11326,352	45,215	10,661	9,840	4,980	53,617	9,453	967,974	2019-12-11 15:12
261,167	63,278	44,186	51,915	71,659	0,504	0,500	11075,396	11337,819	44,881	10,592	9,864	5,029	54,000	9,487	967,974	2019-12-11 15:13
261,500	63,278	44,184	51,914	71,639	0,504	0,501	11065,474	11343,770	42,441	10,607	9,854	5,014	53,320	9,427	967,974	2019-12-11 15:13
261,833	63,270	44,184	51,914	71,647	0,504	0,499	11065,487	11306,256	41,575	10,562	9,867	5,055	53,116	9,409	967,974	2019-12-11 15:13
262,167	63,262	44,190	51,898	71,649	0,503	0,501	11045,691	11358,603	41,777	10,468	9,970	4,994	53,438	9,437	967,974	2019-12-11 15:14
262,500	63,278	44,195	51,897	71,622	0,503	0,500	11049,662	11322,046	37,060	10,461	9,997	5,010	53,410	9,435	967,974	2019-12-11 15:14
262,834	63,264	44,186	51,905	71,624	0,504	0,499	11060,586	11300,515	34,811	10,418	10,010	5,030	53,542	9,447	967,975	2019-12-11 15:14
263,167	63,264	44,175	51,890	71,622	0,504	0,501	11063,072	11350,207	35,318	10,265	10,179	5,062	53,786	9,468	967,975	2019-12-11 15:15
263,500	63,264	44,161	51,897	71,593	0,503	0,501	11063,960	11316,733	36,976	10,298	10,188	4,982	53,109	9,408	967,975	2019-12-11 15:15
263,834	63,249	44,143	51,901	71,597	0,504	0,501	11082,814	11320,063	40,515	10,381	10,097	5,037	52,782	9,379	968,305	2019-12-11 15:15
264,167	63,250	44,129	51,892	71,622	0,504	0,502	11081,174	11354,375	37,586	10,178	10,244	5,037	53,480	9,441	967,755	2019-12-11 15:16
264,500	63,228	44,120	51,877	71,592	0,503	0,500	11056,447	11300,737	39,264	10,100	10,331	5,057	54,163	9,501	967,754	2019-12-11 15:16
264,833	63,237	44,125	51,861	71,594	0,503	0,500	11062,235	11326,255	41,542	10,161	10,273	5,008	53,765	9,466	967,754	2019-12-11 15:16
265,167	63,227	44,131	51,847	71,575	0,503	0,502	11056,187	11357,399	40,287	10,129	10,342	4,983	53,961	9,483	967,754	2019-12-11 15:17
265,500	63,241	44,143	51,862	71,574	0,503	0,501	11044,713	11333,882	40,215	10,058	10,394	4,986	53,085	9,406	967,848	2019-12-11 15:17
265,833	63,225	44,159	51,863	71,565	0,504	0,500	11051,546	11302,691	42,285	10,227	10,246	4,972	53,610	9,452	967,754	2019-12-11 15:17
266,167	63,219	44,166	51,866	71,596	0,504	0,501	11039,992	11339,739	44,209	10,395	10,079	4,964	53,757	9,465	967,754	2019-12-11 15:18
266,500	63,215	44,167	51,858	71,559	0,503	0,499	11021,785	11283,129	44,551	10,318	10,137	4,966	52,995	9,398	967,661	2019-12-11 15:18
266,833	63,208	44,157	51,854	71,567	0,504	0,500	11039,610	11300,267	41,774	10,240	10,213	4,962	53,344	9,429	967,755	2019-12-11 15:18
267,167	63,198	44,134	51,852	71,537	0,503	0,499	11039,055	11280,134	42,202	10,254	10,198	5,011	53,699	9,460	967,754	2019-12-11 15:19
267,500	63,222	44,102	51,833	71,522	0,503	0,500	11067,631	11306,798	43,870	10,302	10,149	4,966	53,226	9,419	967,661	2019-12-11 15:19
267,833	63,231	44,050	51,831	71,507	0,503	0,499	11099,675	11270,121	44,035	10,300	10,173	5,011	53,803	9,470	967,661	2019-12-11 15:19
268,167	63,208	43,991	51,794	71,504	0,503	0,501	11118,471	11320,421	45,218	10,402	10,082	5,033	53,799	9,469	967,661	2019-12-11 15:20
268,500	63,192	43,929	51,766	71,506	0,503	0,499	11143,575	11314,843	44,295	10,284	10,173	5,012	53,605	9,452	967,661	2019-12-11 15:20
268,834	63,164	43,871	51,726	71,520	0,503	0,499	11166,261	11343,226	42,615	10,289	10,193	4,996	53,128	9,410	967,661	2019-12-11 15:20
269,167	63,437	43,819	51,683	71,511	0,504	0,500	11366,917	11369,169	39,938	10,387	10,099	4,973	53,556	9,448	967,567	2019-12-11 15:21
269,500	63,445	43,785	51,598	71,502	0,503	0,500	11375,507	11419,868	39,336	10,285	10,146	4,969	53,236	9,419	967,568	2019-12-11 15:21
269,834	63,383	43,776	51,459	71,466	0,503	0,500	11351,921	11479,679	39,752	10,286	10,186	4,981	53,122	9,409	967,567	2019-12-11 15:21
270,167	63,363	43,780	51,366	71,492	0,503	0,501	11331,257	11564,570	41,857	10,432	10,055	4,972	53,450	9,438	967,567	2019-12-11 15:22

Pellematic 56_cat II_run 1_191211.Dat

Category: II

	301	302	304	305	306	308	317	1311	1312	1313	1314	1315	1316	1317	1318	1101
Mättid	CO chimney	CO2 chimney	Pdyn	Pstat	Static pressure chimney	O2 chimney	Våg	Flue gas temp	Ambient	Flue gas at pitot	filter temp 1	filter temp 2	gas meter temp 1	gas meter temp 2	gasmeter temp ambient	
Minuter	VDC	VDC	VDC	VDC	VDC	VDC	VDC	°C	°C	°C	°C	°C	°C	°C	°C	°C
270,500	0,214	0,618	1,343	0,125	0,014	0,334	1,481	73,377	19,406	22,795	21,367	20,907	20,643	21,032	30,448	20,233
270,834	0,213	0,612	1,343	0,124	0,010	0,339	1,481	73,361	19,515	22,831	21,380	20,924	20,654	21,042	30,462	20,237
271,167	0,214	0,611	1,336	0,124	0,013	0,340	1,481	73,354	19,407	22,814	21,376	20,906	20,640	21,048	30,454	20,228
271,500	0,214	0,616	1,328	0,126	0,009	0,335	1,480	73,364	19,405	22,845	21,374	20,909	20,638	21,039	30,452	20,225
271,833	0,213	0,613	1,343	0,124	0,020	0,339	1,481	73,361	19,474	22,842	21,372	20,900	20,650	21,037	30,463	20,225
272,167	0,213	0,615	1,340	0,123	0,015	0,336	1,481	73,350	19,511	22,820	21,385	20,918	20,646	21,052	30,457	20,224
272,500	0,213	0,622	1,335	0,125	0,012	0,330	1,480	73,324	19,456	22,797	21,366	20,901	20,646	21,043	30,439	20,216
272,833	0,213	0,620	1,333	0,125	0,015	0,332	1,480	73,343	19,448	22,805	21,375	20,912	20,652	21,050	30,442	20,215
273,167	0,214	0,622	1,342	0,125	0,017	0,330	1,480	73,308	19,486	22,800	21,373	20,913	20,645	21,043	30,457	20,212
273,500	0,215	0,620	1,333	0,124	0,013	0,332	1,480	73,295	19,511	22,787	21,370	20,902	20,641	21,049	30,462	20,208
273,833	0,214	0,618	1,345	0,123	0,014	0,333	1,480	73,302	19,469	22,797	21,368	20,914	20,655	21,053	30,475	20,208
274,167	0,214	0,621	1,345	0,124	0,015	0,331	1,479	73,314	19,360	22,794	21,350	20,903	20,657	21,045	30,476	20,204
274,500	0,215	0,621	1,339	0,124	0,011	0,330	1,479	73,329	19,407	22,812	21,360	20,912	20,663	21,052	30,499	20,206
274,833	0,215	0,618	1,323	0,125	0,018	0,335	1,480	73,311	19,541	22,776	21,364	20,911	20,649	21,050	30,500	20,198
275,167	0,214	0,613	1,332	0,124	0,013	0,338	1,479	73,316	19,414	22,765	21,365	20,903	20,653	21,046	30,492	20,194
275,500	0,214	0,612	1,328	0,124	0,017	0,338	1,478	73,285	19,342	22,744	21,356	20,906	20,647	21,048	30,485	20,188
275,834	0,215	0,619	1,319	0,126	0,012	0,332	1,478	73,267	19,304	22,750	21,351	20,902	20,652	21,048	30,492	20,188
276,167	0,214	0,619	1,318	0,124	0,016	0,333	1,478	73,298	19,346	22,764	21,352	20,908	20,654	21,053	30,506	20,188
276,500	0,215	0,617	1,332	0,122	0,015	0,335	1,477	73,296	19,451	22,783	21,351	20,908	20,661	21,056	30,490	20,183
276,834	0,215	0,611	1,324	0,125	0,011	0,340	1,477	73,266	19,480	22,743	21,351	20,910	20,658	21,056	30,484	20,180
277,167	0,216	0,603	1,325	0,125	0,013	0,347	1,478	73,242	19,447	22,712	21,343	20,908	20,661	21,055	30,485	20,174
277,500	0,216	0,596	1,325	0,126	0,014	0,352	1,476	73,247	19,489	22,674	21,345	20,909	20,655	21,060	30,480	20,173
277,834	0,215	0,601	1,340	0,124	0,018	0,347	1,475	73,232	19,441	22,740	21,354	20,914	20,659	21,065	30,477	20,174
278,167	0,215	0,603	1,345	0,125	0,021	0,347	1,475	73,260	19,373	22,766	21,349	20,906	20,659	21,054	30,469	20,171
278,500	0,215	0,603	1,341	0,124	0,018	0,346	1,475	73,241	19,381	22,786	21,355	20,896	20,655	21,063	30,476	20,167
278,833	0,216	0,606	1,339	0,124	0,012	0,344	1,476	73,232	19,448	22,772	21,344	20,897	20,660	21,065	30,468	20,161
279,167	0,215	0,610	1,325	0,124	0,010	0,341	1,475	73,243	19,369	22,746	21,354	20,897	20,661	21,065	30,478	20,161
279,500	0,215	0,615	1,327	0,123	0,013	0,336	1,475	73,253	19,392	22,782	21,358	20,910	20,670	21,075	30,499	20,165
279,833	0,215	0,618	1,329	0,122	0,014	0,334	1,476	73,221	19,422	22,779	21,347	20,907	20,658	21,055	30,493	20,158
280,167	0,216	0,620	1,326	0,122	0,016	0,332	1,475	73,175	19,330	22,774	21,353	20,903	20,655	21,067	30,483	20,155
280,500	0,216	0,615	1,332	0,123	0,015	0,338	1,475	73,204	19,452	22,766	21,350	20,893	20,650	21,070	30,487	20,157
280,833	0,216	0,612	1,322	0,123	0,015	0,339	1,475	73,175	19,465	22,774	21,340	20,892	20,658	21,070	30,494	20,154
281,167	0,216	0,616	1,324	0,125	0,017	0,335	1,474	73,183	19,486	22,711	21,351	20,897	20,654	21,070	30,496	20,151
281,500	0,215	0,616	1,322	0,125	0,015	0,336	1,475	73,184	19,392	22,709	21,323	20,889	20,652	21,067	30,476	20,149
281,833	0,216	0,623	1,328	0,126	0,018	0,329	1,475	73,165	19,339	22,721	21,328	20,883	20,658	21,061	30,473	20,141
282,167	0,217	0,630	1,337	0,125	0,012	0,324	1,474	73,166	19,326	22,694	21,324	20,878	20,652	21,065	30,473	20,139
282,500	0,215	0,627	1,335	0,125	0,009	0,327	1,474	73,176	19,407	22,711	21,318	20,875	20,655	21,056	30,470	20,135

Pellematic 56_cat II_run 1_191211.Dat

Category: II

	1102	1103	1108	1109	130	230	101	102	1	2	3	6	7	8	11	
Mättid	T4 outlet load side	T3 inlet load side	T2 inlet boiler	T1 outlet boiler	Flow load side	Flow boiler side	Heat output load side	Heat output boiler	CO chimney	CO2 chimney	O2 chimney	Pstat	Pdyn	Tunnel velocity	Våg	Tidpunkt
Minuter	°C	°C	°C	°C	m³/h	m³/h	W	W	ppm	%	%	Pa	Pa	m/s	kg	Klockan
270,500	63,364	43,798	51,329	71,473	0,503	0,500	11331,301	11552,202	38,669	10,398	10,011	4,990	53,599	9,452	967,568	2019-12-11 15:22
270,834	63,353	43,819	51,302	71,522	0,503	0,499	11301,601	11588,306	36,565	10,300	10,179	4,943	53,911	9,479	967,567	2019-12-11 15:22
271,167	63,364	43,845	51,295	71,452	0,503	0,501	11297,566	11587,426	38,580	10,306	10,186	4,954	53,353	9,430	967,568	2019-12-11 15:23
271,500	63,360	43,868	51,304	71,458	0,503	0,499	11288,861	11547,948	36,236	10,405	10,051	5,047	52,847	9,385	967,567	2019-12-11 15:23
271,833	63,353	43,882	51,317	71,491	0,504	0,501	11282,208	11593,106	35,815	10,280	10,166	4,965	54,002	9,487	967,568	2019-12-11 15:23
272,167	63,370	43,894	51,326	71,466	0,503	0,501	11266,199	11575,507	36,147	10,425	10,088	4,937	53,449	9,438	967,567	2019-12-11 15:24
272,500	63,380	43,901	51,346	71,459	0,504	0,501	11287,556	11568,738	34,384	10,573	9,894	5,001	53,476	9,441	967,476	2019-12-11 15:24
272,833	63,376	43,910	51,360	71,439	0,503	0,500	11268,255	11514,048	36,316	10,488	9,973	5,011	53,693	9,460	967,475	2019-12-11 15:24
273,167	63,376	43,920	51,354	71,439	0,502	0,500	11247,729	11537,146	40,087	10,579	9,899	5,000	53,443	9,438	967,475	2019-12-11 15:25
273,500	63,366	43,943	51,360	71,460	0,503	0,499	11243,143	11522,982	39,168	10,481	9,972	4,957	53,619	9,453	967,475	2019-12-11 15:25
273,833	63,366	43,975	51,360	71,430	0,504	0,501	11234,971	11531,852	39,324	10,457	9,997	4,940	53,678	9,459	967,476	2019-12-11 15:25
274,167	63,371	44,002	51,366	71,466	0,503	0,501	11214,456	11546,513	37,995	10,505	9,928	4,943	53,671	9,458	967,348	2019-12-11 15:26
274,500	63,282	44,032	51,387	71,438	0,503	0,500	11150,572	11511,117	41,952	10,543	9,913	4,948	53,369	9,431	967,346	2019-12-11 15:26
274,833	63,309	44,057	51,430	71,400	0,503	0,500	11150,988	11456,629	40,106	10,401	10,036	4,982	52,886	9,388	967,475	2019-12-11 15:26
275,167	63,316	44,073	51,463	71,460	0,503	0,500	11135,409	11479,270	37,495	10,316	10,134	4,964	53,373	9,432	967,348	2019-12-11 15:27
275,500	63,326	44,086	51,486	71,419	0,503	0,500	11135,696	11441,931	39,845	10,320	10,153	4,965	53,072	9,405	967,347	2019-12-11 15:27
275,834	63,322	44,093	51,513	71,406	0,503	0,500	11126,506	11419,185	39,507	10,526	9,973	5,045	52,618	9,365	967,348	2019-12-11 15:27
276,167	63,326	44,098	51,529	71,388	0,504	0,500	11139,825	11399,191	39,171	10,452	9,995	4,944	52,646	9,367	967,347	2019-12-11 15:28
276,500	63,311	44,107	51,529	71,398	0,504	0,500	11127,135	11403,051	39,842	10,420	10,052	4,897	53,170	9,414	967,347	2019-12-11 15:28
276,834	63,307	44,117	51,531	71,380	0,503	0,500	11102,896	11399,366	42,606	10,235	10,205	4,988	52,854	9,386	967,347	2019-12-11 15:28
277,167	63,320	44,120	51,543	71,386	0,503	0,501	11106,237	11413,170	41,771	9,986	10,425	4,993	52,958	9,395	967,348	2019-12-11 15:29
277,500	63,328	44,121	51,561	71,380	0,503	0,501	11118,888	11395,972	42,868	9,910	10,556	5,058	53,217	9,418	967,252	2019-12-11 15:29
277,834	62,888	44,119	51,569	71,361	0,503	0,501	10860,498	11371,221	41,853	10,062	10,421	4,970	53,757	9,465	967,252	2019-12-11 15:29
278,167	62,971	44,101	51,639	71,368	0,503	0,500	10923,927	11325,543	40,349	10,053	10,404	4,981	53,767	9,466	967,159	2019-12-11 15:30
278,500	62,992	44,074	51,734	71,370	0,503	0,500	10944,436	11256,624	40,861	10,089	10,394	4,963	53,587	9,450	967,159	2019-12-11 15:30
278,833	62,988	44,044	51,782	71,337	0,503	0,500	10970,370	11225,078	42,027	10,146	10,313	4,978	53,662	9,457	967,252	2019-12-11 15:30
279,167	63,134	44,003	51,789	71,346	0,503	0,501	11072,852	11240,578	41,439	10,266	10,215	4,955	52,739	9,375	967,158	2019-12-11 15:31
279,500	63,102	43,974	51,772	71,370	0,503	0,501	11077,842	11260,578	41,432	10,401	10,095	4,918	53,293	9,424	967,252	2019-12-11 15:31
279,833	63,215	43,947	51,712	71,372	0,503	0,500	11152,590	11282,028	41,533	10,469	10,033	4,875	53,084	9,406	967,251	2019-12-11 15:31
280,167	63,443	43,942	51,661	71,357	0,503	0,500	11290,393	11308,379	43,198	10,497	9,969	4,866	52,978	9,397	967,158	2019-12-11 15:32
280,500	63,356	43,949	51,537	71,360	0,503	0,501	11233,618	11389,141	43,201	10,329	10,130	4,925	53,420	9,436	967,158	2019-12-11 15:32
280,833	63,326	43,957	51,435	71,398	0,503	0,500	11205,975	11463,200	43,030	10,328	10,170	4,931	52,619	9,365	967,159	2019-12-11 15:32
281,167	63,323	43,977	51,394	71,323	0,502	0,500	11185,681	11436,589	42,356	10,428	10,057	5,004	53,062	9,404	967,159	2019-12-11 15:33
281,500	63,333	43,995	51,379	71,369	0,503	0,501	11193,624	11492,927	40,258	10,386	10,072	4,986	52,785	9,379	967,157	2019-12-11 15:33
281,833	63,327	44,009	51,390	71,346	0,503	0,501	11180,977	11470,039	44,199	10,635	9,884	5,031	53,570	9,449	967,158	2019-12-11 15:33
282,167	63,335	44,017	51,405	71,338	0,503	0,500	11176,985	11447,953	45,465	10,757	9,714	5,013	53,610	9,453	967,065	2019-12-11 15:34
282,500	63,327	44,020	51,409	71,378	0,503	0,500	11175,123	11464,403	40,529	10,624	9,800	5,017	53,526	9,445	967,064	2019-12-11 15:34

Pellematic 56_cat II_run 1_191211.Dat

Category: II

	301	302	304	305	306	308	317	1311	1312	1313	1314	1315	1316	1317	1318	1101
Mättid	CO chimney	CO2 chimney	Pdyn	Pstat	Static pressure chimney	O2 chimney	Våg	Flue gas temp	Ambient	Flue gas at pitot	filter temp 1	filter temp 2	gas meter temp 1	gas meter temp 2	gasmeter temp ambient	
Minuter	VDC	VDC	VDC	VDC	VDC	VDC	VDC	°C	°C	°C	°C	°C	°C	°C	°C	°C
282,834	0,215	0,627	1,333	0,125	0,008	0,327	1,473	73,211	19,439	22,738	21,328	20,882	20,657	21,067	30,465	20,137
283,167	0,215	0,627	1,333	0,125	0,021	0,326	1,473	73,195	19,383	22,753	21,318	20,875	20,641	21,059	30,444	20,128
283,500	0,216	0,622	1,342	0,125	0,016	0,331	1,473	73,210	19,455	22,713	21,320	20,877	20,643	21,068	30,459	20,126
283,834	0,216	0,621	1,336	0,125	0,010	0,331	1,472	73,175	19,373	22,730	21,325	20,874	20,651	21,066	30,463	20,122
284,167	0,217	0,622	1,343	0,126	0,009	0,330	1,472	73,185	19,368	22,725	21,320	20,868	20,652	21,068	30,463	20,124
284,500	0,217	0,616	1,344	0,124	0,010	0,336	1,473	73,174	19,481	22,784	21,319	20,872	20,642	21,071	30,459	20,120
284,833	0,217	0,611	1,345	0,124	0,015	0,339	1,472	73,204	19,345	22,810	21,317	20,881	20,642	21,056	30,451	20,113
285,167	0,216	0,613	1,351	0,126	0,011	0,337	1,471	73,191	19,357	22,739	21,313	20,879	20,656	21,069	30,459	20,113
285,500	0,216	0,612	1,353	0,124	0,007	0,339	1,472	73,174	19,283	22,720	21,311	20,866	20,652	21,063	30,456	20,105
285,833	0,215	0,608	1,342	0,125	0,015	0,342	1,472	73,180	19,352	22,738	21,296	20,871	20,649	21,057	30,458	20,098
286,167	0,213	0,610	1,326	0,125	0,017	0,340	1,471	73,189	19,432	22,745	21,307	20,868	20,646	21,070	30,459	20,101
286,500	0,214	0,613	1,329	0,125	0,022	0,338	1,471	73,168	19,366	22,774	21,297	20,869	20,652	21,068	30,448	20,096
286,833	0,215	0,616	1,331	0,125	0,020	0,334	1,471	73,141	19,359	22,775	21,296	20,871	20,643	21,064	30,450	20,090
287,167	0,215	0,626	1,324	0,125	0,014	0,326	1,470	73,150	19,319	22,753	21,299	20,865	20,642	21,066	30,452	20,092
287,500	0,216	0,628	1,317	0,125	0,017	0,325	1,470	73,162	19,321	22,755	21,287	20,853	20,649	21,059	30,441	20,085
287,833	0,216	0,626	1,350	0,123	0,012	0,327	1,469	73,159	19,298	22,707	21,288	20,850	20,644	21,056	30,446	20,082
288,167	0,215	0,627	1,342	0,123	0,018	0,325	1,470	73,163	19,436	22,730	21,291	20,852	20,642	21,065	30,469	20,080
288,500	0,214	0,626	1,339	0,124	0,008	0,327	1,469	73,165	19,446	22,767	21,299	20,865	20,649	21,069	30,470	20,082
288,833	0,213	0,625	1,341	0,125	0,013	0,326	1,469	73,189	19,444	22,722	21,293	20,863	20,638	21,066	30,475	20,079
289,167	0,214	0,632	1,337	0,122	0,013	0,321	1,468	73,179	19,334	22,712	21,294	20,857	20,643	21,069	30,479	20,076
289,500	0,214	0,633	1,350	0,124	0,018	0,321	1,468	73,160	19,279	22,721	21,283	20,841	20,632	21,064	30,480	20,066
289,834	0,215	0,626	1,326	0,124	0,014	0,327	1,468	73,172	19,274	22,720	21,286	20,848	20,635	21,064	30,479	20,068
290,167	0,216	0,619	1,341	0,124	0,015	0,333	1,468	73,157	19,277	22,716	21,274	20,847	20,634	21,056	30,489	20,063
290,500	0,217	0,619	1,333	0,123	0,017	0,333	1,468	73,169	19,222	22,719	21,272	20,845	20,634	21,063	30,475	20,061
290,834	0,216	0,622	1,330	0,124	0,020	0,330	1,468	73,176	19,257	22,757	21,271	20,846	20,636	21,061	30,479	20,058
291,167	0,216	0,621	1,342	0,124	0,013	0,332	1,467	73,186	19,287	22,773	21,278	20,835	20,626	21,061	30,488	20,053
291,500	0,216	0,618	1,340	0,124	0,015	0,334	1,468	73,180	19,342	22,736	21,267	20,827	20,635	21,054	30,488	20,050
291,833	0,217	0,616	1,351	0,124	0,011	0,336	1,467	73,160	19,217	22,702	21,262	20,820	20,631	21,040	30,476	20,040
292,167	0,216	0,620	1,352	0,123	0,017	0,332	1,467	73,206	19,195	22,720	21,257	20,836	20,630	21,060	30,499	20,043
292,500	0,217	0,624	1,352	0,124	0,017	0,329	1,467	73,218	19,240	22,738	21,264	20,840	20,635	21,072	30,506	20,044
292,833	0,216	0,625	1,349	0,124	0,009	0,327	1,467	73,174	19,290	22,766	21,262	20,819	20,621	21,055	30,497	20,033
293,167	0,214	0,627	1,354	0,125	0,016	0,326	1,466	73,171	19,275	22,757	21,260	20,825	20,627	21,070	30,505	20,034
293,500	0,213	0,625	1,343	0,124	0,018	0,327	1,466	73,163	19,186	22,757	21,271	20,828	20,620	21,067	30,507	20,032
293,833	0,214	0,629	1,339	0,123	0,013	0,324	1,465	73,125	19,219	22,762	21,259	20,818	20,610	21,049	30,497	20,022
294,167	0,215	0,637	1,341	0,123	0,016	0,318	1,465	73,154	19,334	22,743	21,252	20,822	20,615	21,060	30,497	20,019
294,500	0,216	0,639	1,329	0,124	0,009	0,316	1,465	73,190	19,349	22,812	21,259	20,810	20,605	21,058	30,507	20,020
294,833	0,215	0,640	1,340	0,123	0,021	0,315	1,464	73,182	19,318	22,807	21,263	20,819	20,622	21,058	30,506	20,016

Pellematic 56_cat II_run 1_191211.Dat

Category: II

	1102	1103	1108	1109	130	230	101	102	1	2	3	6	7	8	11	
Mättid	T4 outlet load side	T3 inlet load side	T2 inlet boiler	T1 outlet boiler	Flow load side	Flow boiler side	Heat output load side	Heat output boiler	CO chimney	CO2 chimney	O2 chimney	Pstat	Pdyn	Tunnel velocity	Våg	Tidpunkt
Minuter	°C	°C	°C	°C	m³/h	m³/h	W	W	ppm	%	%	Pa	Pa	m/s	kg	Klockan
282,834	63,334	44,023	51,411	71,328	0,502	0,501	11164,984	11441,911	40,533	10,694	9,796	4,992	53,222	9,418	967,064	2019-12-11 15:34
283,167	63,323	44,022	51,409	71,377	0,503	0,500	11181,986	11461,255	41,771	10,647	9,784	4,982	53,637	9,455	967,065	2019-12-11 15:35
283,500	63,331	44,020	51,407	71,342	0,502	0,500	11162,888	11444,748	43,280	10,508	9,932	4,998	53,756	9,465	967,064	2019-12-11 15:35
283,834	63,331	44,026	51,409	71,365	0,502	0,500	11153,915	11459,493	44,269	10,576	9,922	4,997	53,500	9,443	966,972	2019-12-11 15:35
284,167	63,345	44,030	51,414	71,386	0,503	0,501	11169,492	11474,453	44,918	10,532	9,904	5,024	53,976	9,485	966,973	2019-12-11 15:36
284,500	63,352	44,034	51,426	71,396	0,502	0,501	11164,012	11479,087	44,630	10,364	10,074	4,967	53,666	9,457	967,064	2019-12-11 15:36
284,833	63,351	44,036	51,432	71,423	0,502	0,500	11167,369	11479,489	44,369	10,296	10,167	4,943	54,026	9,489	966,973	2019-12-11 15:36
285,167	63,375	44,039	51,441	71,408	0,502	0,501	11178,458	11471,096	43,528	10,338	10,105	5,022	53,975	9,485	966,846	2019-12-11 15:37
285,500	63,371	44,039	51,443	71,405	0,503	0,501	11180,896	11471,842	41,520	10,276	10,177	4,963	54,159	9,501	966,972	2019-12-11 15:37
285,833	63,374	44,041	51,445	71,406	0,503	0,501	11189,391	11486,295	39,422	10,192	10,265	5,019	53,598	9,451	966,972	2019-12-11 15:37
286,167	63,384	44,044	51,455	71,411	0,502	0,501	11175,717	11465,102	35,724	10,268	10,209	5,003	52,747	9,376	966,846	2019-12-11 15:38
286,500	63,384	44,046	51,453	71,404	0,502	0,499	11176,342	11425,364	38,593	10,331	10,132	4,991	53,285	9,424	966,972	2019-12-11 15:38
286,833	63,268	44,061	51,443	71,433	0,503	0,500	11113,871	11467,205	41,190	10,428	10,032	5,000	53,054	9,403	966,846	2019-12-11 15:38
287,167	63,285	44,076	51,442	71,427	0,503	0,499	11118,058	11452,014	42,262	10,692	9,782	4,996	52,566	9,360	966,846	2019-12-11 15:39
287,500	63,304	44,094	51,470	71,379	0,503	0,501	11110,341	11439,381	46,385	10,706	9,745	5,001	53,057	9,404	966,846	2019-12-11 15:39
287,833	63,317	44,110	51,504	71,398	0,502	0,499	11093,098	11403,277	41,422	10,645	9,796	4,938	54,236	9,508	966,752	2019-12-11 15:39
288,167	63,330	44,119	51,523	71,403	0,503	0,501	11115,394	11425,315	40,846	10,711	9,755	4,938	53,510	9,444	966,846	2019-12-11 15:40
288,500	63,336	44,129	51,553	71,400	0,503	0,501	11116,770	11403,249	37,577	10,615	9,802	4,946	53,523	9,445	966,752	2019-12-11 15:40
288,833	63,329	44,129	51,557	71,402	0,502	0,500	11098,939	11395,580	35,063	10,665	9,788	4,993	53,565	9,449	966,751	2019-12-11 15:40
289,167	63,339	44,128	51,568	71,409	0,503	0,500	11113,698	11384,125	38,933	10,828	9,643	4,887	53,616	9,453	966,752	2019-12-11 15:41
289,500	63,342	44,122	51,573	71,405	0,503	0,500	11116,501	11384,931	39,336	10,813	9,621	4,979	54,135	9,499	966,751	2019-12-11 15:41
289,834	63,196	44,110	51,571	71,421	0,502	0,502	11032,590	11432,525	41,047	10,591	9,813	4,942	52,876	9,388	966,751	2019-12-11 15:41
290,167	62,934	44,101	51,592	71,436	0,502	0,501	10881,474	11399,268	42,865	10,459	9,987	4,969	53,716	9,462	966,751	2019-12-11 15:42
290,500	63,010	44,090	51,689	71,415	0,503	0,501	10958,228	11343,363	44,203	10,470	9,977	4,907	53,208	9,417	966,752	2019-12-11 15:42
290,834	63,037	44,084	51,779	71,433	0,503	0,501	10964,324	11288,480	44,627	10,566	9,903	4,942	53,244	9,420	966,752	2019-12-11 15:42
291,167	63,047	44,075	51,815	71,444	0,502	0,501	10963,133	11291,942	42,444	10,505	9,960	4,963	53,769	9,466	966,658	2019-12-11 15:43
291,500	63,059	44,074	51,840	71,454	0,502	0,501	10972,421	11279,567	45,289	10,457	10,016	4,961	53,826	9,472	966,752	2019-12-11 15:43
291,833	63,092	44,072	51,845	71,454	0,503	0,501	11002,451	11284,145	43,961	10,403	10,077	4,977	54,453	9,527	966,658	2019-12-11 15:43
292,167	63,203	44,069	51,847	71,477	0,502	0,501	11049,484	11292,633	44,038	10,541	9,958	4,926	53,988	9,486	966,658	2019-12-11 15:44
292,500	63,190	44,064	51,820	71,491	0,502	0,501	11040,667	11301,711	44,968	10,610	9,863	4,951	54,093	9,495	966,657	2019-12-11 15:44
292,833	63,184	44,064	51,787	71,477	0,503	0,501	11056,068	11312,356	42,185	10,657	9,804	4,970	54,197	9,504	966,657	2019-12-11 15:44
293,167	63,179	44,063	51,763	71,491	0,503	0,501	11057,768	11336,168	36,069	10,663	9,770	4,984	54,343	9,517	966,564	2019-12-11 15:45
293,500	63,178	44,064	51,750	71,494	0,503	0,501	11057,292	11355,154	36,393	10,612	9,807	4,954	53,510	9,444	966,585	2019-12-11 15:45
293,833	63,343	44,066	51,750	71,477	0,503	0,502	11153,223	11359,068	38,665	10,829	9,707	4,901	53,695	9,460	966,564	2019-12-11 15:45
294,167	63,555	44,066	51,751	71,516	0,503	0,501	11272,513	11355,383	41,428	10,924	9,530	4,921	53,479	9,441	966,564	2019-12-11 15:46
294,500	63,476	44,065	51,660	71,481	0,503	0,500	11232,495	11377,709	42,948	10,981	9,494	4,952	53,077	9,405	966,564	2019-12-11 15:46
294,833	63,459	44,058	51,559	71,474	0,502	0,501	11207,826	11453,291	40,084	11,018	9,463	4,921	53,861	9,475	966,564	2019-12-11 15:46

Pellematic 56_cat II_run 1_191211.Dat

Category: II

	301	302	304	305	306	308	317	1311	1312	1313	1314	1315	1316	1317	1318	1101
Mättid	CO chimney	CO2 chimney	Pdyn	Pstat	Static pressure chimney	O2 chimney	Våg	Flue gas temp	Ambient	Flue gas at pitot	filter temp 1	filter temp 2	gas meter temp 1	gas meter temp 2	gasmeter temp ambient	
Minuter	VDC	VDC	VDC	VDC	VDC	VDC	VDC	°C	°C	°C	°C	°C	°C	°C	°C	°C
295,167	0,216	0,642	1,342	0,123	0,018	0,314	1,464	73,162	19,214	22,768	21,274	20,816	20,615	21,057	30,514	20,014
295,500	0,217	0,638	1,333	0,125	0,019	0,318	1,464	73,148	19,215	22,740	21,264	20,817	20,605	21,055	30,510	20,009
295,833	0,216	0,631	1,316	0,125	0,010	0,324	1,464	73,152	19,209	22,722	21,255	20,805	20,607	21,054	30,508	20,003
296,167	0,215	0,622	1,317	0,124	0,014	0,331	1,464	73,152	19,167	22,718	21,256	20,801	20,600	21,050	30,513	19,999
296,500	0,215	0,618	1,311	0,125	0,009	0,333	1,463	73,174	19,210	22,726	21,254	20,810	20,610	21,050	30,515	19,999
296,834	0,214	0,625	1,319	0,125	0,010	0,327	1,464	73,202	19,367	22,741	21,261	20,809	20,606	21,057	30,529	19,997
297,167	0,216	0,625	1,328	0,125	0,007	0,328	1,464	73,195	19,288	22,746	21,270	20,812	20,605	21,057	30,524	19,994
297,500	0,216	0,622	1,338	0,123	0,013	0,330	1,464	73,217	19,285	22,767	21,264	20,818	20,598	21,062	30,521	19,992
297,834	0,216	0,627	1,339	0,123	0,015	0,325	1,462	73,221	19,257	22,758	21,259	20,802	20,593	21,044	30,513	19,987
298,167	0,214	0,631	1,332	0,124	0,019	0,323	1,462	73,227	19,318	22,779	21,263	20,812	20,600	21,062	30,527	19,989
298,500	0,214	0,630	1,337	0,123	0,018	0,323	1,462	73,210	19,292	22,758	21,253	20,813	20,596	21,055	30,534	19,984
298,833	0,214	0,631	1,338	0,122	0,015	0,322	1,462	73,205	19,366	22,705	21,250	20,806	20,605	21,051	30,541	19,981
299,167	0,212	0,626	1,335	0,123	0,010	0,327	1,462	73,210	19,317	22,718	21,255	20,796	20,587	21,044	30,542	19,979
299,500	0,212	0,626	1,338	0,124	0,009	0,328	1,460	73,199	19,338	22,750	21,250	20,801	20,592	21,050	30,548	19,981
299,833	0,212	0,626	1,335	0,124	0,011	0,326	1,461	73,203	19,264	22,712	21,251	20,800	20,596	21,055	30,558	19,977
300,167	0,213	0,633	1,331	0,124	0,009	0,321	1,460	73,207	19,174	22,740	21,243	20,782	20,593	21,055	30,557	19,971
300,500	0,213	0,633	1,338	0,123	0,016	0,322	1,461	73,195	19,190	22,694	21,251	20,789	20,589	21,048	30,553	19,967
300,833	0,214	0,638	1,348	0,126	0,019	0,317	1,459	73,185	19,199	22,691	21,247	20,796	20,591	21,045	30,539	19,967
301,167	0,213	0,642	1,355	0,124	0,015	0,313	1,460	73,197	19,152	22,721	21,259	20,797	20,595	21,046	30,544	19,966
301,500	0,213	0,643	1,335	0,124	0,011	0,313	1,459	73,234	19,292	22,688	21,251	20,803	20,602	21,055	30,544	19,964
301,833	0,214	0,650	1,315	0,123	0,010	0,307	1,459	73,206	19,306	22,693	21,256	20,797	20,594	21,046	30,541	19,955
302,167	0,214	0,651	1,340	0,125	0,013	0,306	1,459	73,225	19,261	22,694	21,248	20,799	20,589	21,048	30,545	19,955
302,500	0,214	0,649	1,353	0,125	0,013	0,309	1,459	73,218	19,299	22,680	21,246	20,792	20,593	21,046	30,531	19,952
302,834	0,215	0,656	1,345	0,124	0,010	0,301	1,459	73,240	19,346	22,665	21,245	20,796	20,594	21,047	30,538	19,955
303,167	0,216	0,665	1,348	0,124	0,016	0,295	1,457	73,265	19,297	22,695	21,250	20,801	20,592	21,055	30,528	19,955
303,500	0,215	0,666	1,336	0,126	0,018	0,293	1,459	73,269	19,293	22,720	21,242	20,794	20,590	21,054	30,527	19,949
303,834	0,216	0,670	1,338	0,125	0,023	0,290	1,458	73,290	19,270	22,698	21,251	20,795	20,583	21,054	30,521	19,948
304,167	0,215	0,664	1,341	0,124	0,021	0,296	1,457	73,331	19,238	22,690	21,240	20,785	20,588	21,056	30,530	19,947
304,500	0,214	0,661	1,345	0,124	0,016	0,299	1,457	73,323	19,315	22,704	21,246	20,797	20,588	21,052	30,523	19,945
304,834	0,214	0,656	1,332	0,125	0,015	0,303	1,457	73,308	19,381	22,663	21,247	20,786	20,592	21,044	30,522	19,941
305,167	0,213	0,656	1,336	0,123	0,015	0,302	1,457	73,329	19,365	22,686	21,261	20,800	20,600	21,062	30,512	19,945
305,500	0,214	0,657	1,332	0,123	0,016	0,301	1,457	73,295	19,273	22,677	21,246	20,795	20,579	21,049	30,513	19,939
305,833	0,215	0,652	1,332	0,124	0,015	0,307	1,457	73,306	19,307	22,677	21,235	20,785	20,590	21,057	30,511	19,935
306,167	0,215	0,649	1,337	0,124	0,014	0,307	1,456	73,297	19,368	22,655	21,232	20,788	20,587	21,042	30,502	19,932
306,500	0,216	0,654	1,343	0,124	0,013	0,304	1,456	73,279	19,264	22,666	21,226	20,772	20,587	21,046	30,496	19,933
306,833	0,214	0,654	1,328	0,126	0,028	0,302	1,456	73,306	19,342	22,671	21,215	20,779	20,580	21,055	30,511	19,935
307,167	0,215	0,661	1,326	0,123	0,013	0,297	1,456	73,325	19,282	22,673	21,213	20,777	20,580	21,037	30,511	19,930

Pellematic 56_cat II_run 1_191211.Dat

Category: II

	1102	1103	1108	1109	130	230	101	102	1	2	3	6	7	8	11	
Mättid	T4 outlet load side	T3 inlet load side	T2 inlet boiler	T1 outlet boiler	Flow load side	Flow boiler side	Heat output load side	Heat output boiler	CO chimney	CO2 chimney	O2 chimney	Pstat	Pdyn	Tunnel velocity	Våg	Tidpunkt
Minuter	°C	°C	°C	°C	m³/h	m³/h	W	W	ppm	%	%	Pa	Pa	m/s	kg	Klockan
295,167	63,451	44,051	51,526	71,518	0,503	0,500	11227,176	11478,689	45,070	11,059	9,406	4,917	53,257	9,421	966,564	2019-12-11 15:47
295,500	63,458	44,037	51,512	71,527	0,503	0,500	11245,625	11478,053	44,371	10,915	9,527	4,995	53,367	9,431	966,472	2019-12-11 15:47
295,833	63,450	44,027	51,500	71,535	0,503	0,500	11241,692	11505,861	42,020	10,705	9,709	5,001	52,624	9,365	966,472	2019-12-11 15:47
296,167	63,462	44,017	51,489	71,567	0,503	0,502	11247,372	11559,059	40,932	10,473	9,938	4,975	52,419	9,347	966,472	2019-12-11 15:48
296,500	63,433	44,013	51,498	71,590	0,502	0,501	11224,963	11542,816	40,092	10,497	9,994	5,002	52,476	9,352	966,346	2019-12-11 15:48
296,834	63,373	44,010	51,496	71,593	0,503	0,499	11199,541	11504,492	39,495	10,637	9,824	5,009	52,544	9,358	966,473	2019-12-11 15:48
297,167	63,394	44,014	51,496	71,588	0,503	0,500	11207,849	11521,874	43,589	10,629	9,844	5,010	52,829	9,383	966,472	2019-12-11 15:49
297,500	63,405	44,022	51,508	71,615	0,503	0,501	11219,944	11553,776	42,445	10,550	9,912	4,915	53,791	9,468	966,473	2019-12-11 15:49
297,834	63,188	44,028	51,519	71,603	0,503	0,500	11081,501	11520,994	43,781	10,713	9,760	4,929	53,480	9,441	966,346	2019-12-11 15:49
298,167	63,042	44,035	51,551	71,611	0,503	0,500	10992,076	11522,204	38,996	10,783	9,697	4,954	53,262	9,422	966,347	2019-12-11 15:50
298,500	63,118	44,038	51,677	71,623	0,502	0,500	11029,894	11455,005	37,830	10,772	9,705	4,925	53,846	9,473	966,347	2019-12-11 15:50
298,833	63,158	44,034	51,772	71,610	0,503	0,500	11072,904	11389,668	38,502	10,788	9,657	4,897	53,440	9,438	966,346	2019-12-11 15:50
299,167	63,162	44,032	51,817	71,607	0,503	0,502	11079,727	11393,897	32,625	10,641	9,818	4,905	53,715	9,462	966,346	2019-12-11 15:51
299,500	63,173	44,026	51,845	71,658	0,503	0,501	11075,023	11383,901	33,713	10,610	9,830	4,977	53,215	9,418	966,252	2019-12-11 15:51
299,833	63,184	44,020	51,860	71,631	0,503	0,501	11082,674	11363,476	33,973	10,682	9,782	4,974	52,875	9,388	966,346	2019-12-11 15:51
300,167	63,176	44,013	51,871	71,655	0,503	0,502	11087,865	11399,876	36,061	10,852	9,643	4,961	53,096	9,407	966,252	2019-12-11 15:52
300,500	63,172	44,017	51,868	71,639	0,503	0,501	11080,941	11366,064	37,035	10,809	9,647	4,903	53,682	9,459	966,252	2019-12-11 15:52
300,833	63,189	44,020	51,876	71,635	0,503	0,502	11090,658	11384,037	36,566	10,992	9,516	5,022	54,083	9,494	966,158	2019-12-11 15:52
301,167	63,199	44,032	51,888	71,675	0,503	0,502	11097,825	11392,462	37,067	11,070	9,400	4,973	54,142	9,499	966,252	2019-12-11 15:53
301,500	63,210	44,047	51,896	71,657	0,503	0,501	11093,362	11367,929	36,903	11,118	9,378	4,972	53,297	9,425	966,252	2019-12-11 15:53
301,833	63,195	44,060	51,888	71,685	0,503	0,501	11074,908	11373,121	37,485	11,289	9,203	4,919	52,483	9,353	966,251	2019-12-11 15:53
302,167	63,208	44,066	51,886	71,686	0,503	0,501	11084,178	11386,017	38,406	11,245	9,193	5,007	53,690	9,460	966,158	2019-12-11 15:54
302,500	63,282	44,075	51,895	71,727	0,503	0,501	11119,291	11400,486	39,079	11,224	9,279	5,017	53,901	9,478	966,158	2019-12-11 15:54
302,834	63,366	44,086	51,898	71,700	0,503	0,501	11158,024	11392,605	42,269	11,501	9,031	4,952	53,857	9,474	966,158	2019-12-11 15:54
303,167	63,341	44,092	51,871	71,724	0,503	0,501	11140,966	11413,995	43,023	11,595	8,842	4,948	53,933	9,481	966,064	2019-12-11 15:55
303,500	63,351	44,095	51,849	71,732	0,503	0,501	11153,645	11433,655	41,356	11,673	8,802	5,055	53,542	9,447	966,157	2019-12-11 15:55
303,834	63,353	44,104	51,842	71,737	0,503	0,501	11146,156	11440,245	42,305	11,738	8,708	4,998	53,410	9,435	966,064	2019-12-11 15:55
304,167	63,362	44,111	51,838	71,798	0,503	0,501	11144,647	11486,785	39,924	11,566	8,867	4,941	53,431	9,437	966,064	2019-12-11 15:56
304,500	63,350	44,119	51,848	71,818	0,503	0,502	11140,890	11500,441	37,577	11,485	8,957	4,965	53,784	9,468	966,064	2019-12-11 15:56
304,834	63,379	44,123	51,872	71,815	0,503	0,501	11145,490	11469,640	37,181	11,361	9,076	5,006	53,202	9,416	966,064	2019-12-11 15:56
305,167	63,388	44,113	51,878	71,826	0,504	0,501	11167,298	11471,962	37,072	11,427	9,060	4,933	53,521	9,445	966,064	2019-12-11 15:57
305,500	63,393	44,085	51,893	71,849	0,503	0,501	11168,353	11473,866	38,925	11,440	9,043	4,929	52,873	9,387	966,064	2019-12-11 15:57
305,833	63,411	44,048	51,898	71,892	0,503	0,501	11205,095	11500,198	39,693	11,229	9,207	4,971	53,417	9,435	966,064	2019-12-11 15:57
306,167	63,405	44,003	51,898	71,908	0,503	0,501	11230,882	11499,352	40,940	11,234	9,218	4,971	53,623	9,454	966,065	2019-12-11 15:58
306,500	63,408	43,958	51,878	71,954	0,503	0,501	11248,083	11553,460	41,689	11,327	9,109	4,947	53,861	9,475	965,972	2019-12-11 15:58
306,833	63,426	43,916	51,866	71,947	0,503	0,501	11296,360	11546,121	37,664	11,383	9,072	5,027	53,035	9,402	965,972	2019-12-11 15:58
307,167	63,415	43,886	51,846	71,975	0,503	0,501	11308,998	11569,538	42,365	11,562	8,920	4,932	52,983	9,397	965,972	2019-12-11 15:59

Pellematic 56_cat II_run 1_191211.Dat

Category: II

	301	302	304	305	306	308	317	1311	1312	1313	1314	1315	1316	1317	1318	1101
Mättid	CO chimney	CO2 chimney	Pdyn	Pstat	Static pressure chimney	O2 chimney	Våg	Flue gas temp	Ambient	Flue gas at pitot	filter temp 1	filter temp 2	gas meter temp 1	gas meter temp 2	gasmeter temp ambient	
Minuter	VDC	VDC	VDC	VDC	VDC	VDC	VDC	°C	°C	°C	°C	°C	°C	°C	°C	°C
307,500	0,215	0,664	1,336	0,124	0,014	0,295	1,455	73,350	19,248	22,641	21,215	20,781	20,580	21,050	30,525	19,927
307,833	0,215	0,659	1,332	0,123	0,010	0,300	1,456	73,367	19,312	22,684	21,226	20,774	20,583	21,038	30,525	19,923
308,167	0,213	0,651	1,332	0,124	0,015	0,307	1,454	73,364	19,270	22,661	21,218	20,773	20,576	21,041	30,521	19,920
308,500	0,214	0,648	1,342	0,124	0,009	0,309	1,454	73,357	19,214	22,668	21,223	20,771	20,589	21,051	30,527	19,922
308,833	0,213	0,640	1,353	0,125	0,007	0,316	1,454	73,354	19,297	22,633	21,222	20,773	20,591	21,047	30,525	19,920
309,167	0,213	0,636	1,336	0,125	0,011	0,319	1,454	73,312	19,229	22,618	21,210	20,761	20,588	21,047	30,518	19,916
309,500	0,213	0,632	1,339	0,126	0,021	0,323	1,454	73,343	19,351	22,646	21,216	20,774	20,589	21,045	30,515	19,915
309,834	0,212	0,625	1,325	0,124	0,008	0,329	1,453	73,315	19,417	22,631	21,225	20,780	20,603	21,052	30,525	19,914
310,167	0,212	0,627	1,329	0,125	0,014	0,326	1,453	73,343	19,320	22,658	21,227	20,765	20,594	21,046	30,529	19,911
310,500	0,212	0,631	1,333	0,126	0,011	0,323	1,452	73,338	19,306	22,646	21,233	20,779	20,590	21,049	30,523	19,914
310,834	0,212	0,622	1,341	0,125	0,015	0,332	1,452	73,332	19,349	22,604	21,221	20,780	20,589	21,046	30,517	19,903
311,167	0,213	0,622	1,345	0,124	0,018	0,331	1,452	73,328	19,359	22,635	21,226	20,770	20,581	21,053	30,513	19,902
311,500	0,214	0,623	1,336	0,123	0,010	0,330	1,452	73,325	19,397	22,650	21,226	20,773	20,580	21,046	30,500	19,896
311,834	0,214	0,617	1,330	0,125	0,023	0,335	1,452	73,324	19,178	22,646	21,223	20,768	20,584	21,038	30,513	19,895
312,167	0,213	0,611	1,333	0,127	0,018	0,340	1,451	73,327	19,232	22,617	21,213	20,774	20,591	21,066	30,525	19,902
312,500	0,213	0,612	1,332	0,124	0,016	0,339	1,451	73,350	19,227	22,600	21,204	20,760	20,587	21,048	30,517	19,894
312,833	0,212	0,613	1,335	0,124	0,010	0,337	1,450	73,361	19,203	22,583	21,207	20,752	20,587	21,043	30,505	19,890
313,167	0,211	0,611	1,314	0,123	0,022	0,340	1,451	73,369	19,121	22,608	21,214	20,762	20,583	21,046	30,512	19,888
313,500	0,211	0,609	1,327	0,125	0,017	0,341	1,451	73,410	19,150	22,601	21,222	20,767	20,587	21,048	30,508	19,890
313,833	0,212	0,609	1,329	0,125	0,015	0,341	1,451	73,427	19,179	22,609	21,208	20,748	20,589	21,036	30,499	19,885
314,167	0,213	0,608	1,335	0,125	0,013	0,343	1,450	73,447	19,284	22,647	21,215	20,752	20,592	21,045	30,507	19,887
314,500	0,214	0,606	1,331	0,126	0,018	0,345	1,451	73,448	19,333	22,638	21,230	20,763	20,581	21,043	30,507	19,884
314,833	0,213	0,602	1,324	0,126	0,017	0,348	1,449	73,423	19,355	22,634	21,221	20,772	20,587	21,042	30,504	19,882
315,167	0,214	0,603	1,334	0,125	0,017	0,347	1,449	73,385	19,198	22,644	21,220	20,768	20,586	21,047	30,503	19,880
315,500	0,213	0,609	1,336	0,125	0,016	0,341	1,449	73,402	19,234	22,626	21,213	20,767	20,587	21,051	30,504	19,875
315,833	0,214	0,614	1,357	0,125	0,007	0,337	1,448	73,410	19,229	22,599	21,216	20,778	20,572	21,050	30,491	19,877
316,167	0,215	0,617	1,343	0,125	0,009	0,334	1,449	73,428	19,232	22,625	21,221	20,773	20,589	21,047	30,482	19,879
316,500	0,214	0,627	1,341	0,126	0,015	0,326	1,448	73,424	19,120	22,613	21,208	20,759	20,580	21,040	30,480	19,871
316,834	0,213	0,634	1,340	0,124	0,018	0,321	1,448	73,429	19,203	22,623	21,198	20,768	20,571	21,042	30,476	19,870
317,167	0,214	0,626	1,332	0,125	0,013	0,329	1,448	73,452	19,191	22,636	21,201	20,760	20,575	21,048	30,469	19,869
317,500	0,214	0,618	1,326	0,126	0,015	0,335	1,448	73,461	19,283	22,610	21,207	20,771	20,591	21,055	30,484	19,872
317,834	0,213	0,616	1,342	0,127	0,017	0,336	1,448	73,443	19,297	22,596	21,211	20,753	20,571	21,044	30,474	19,867
318,167	0,212	0,617	1,329	0,126	0,012	0,335	1,448	73,444	19,258	22,645	21,205	20,763	20,565	21,050	30,459	19,866
318,500	0,213	0,622	1,319	0,127	0,017	0,331	1,447	73,500	19,275	22,686	21,211	20,755	20,577	21,046	30,457	19,868
318,833	0,214	0,629	1,330	0,126	0,014	0,325	1,447	73,495	19,241	22,687	21,203	20,778	20,568	21,046	30,449	19,868
319,167	0,212	0,623	1,342	0,125	0,015	0,329	1,448	73,492	19,301	22,713	21,211	20,774	20,568	21,042	30,449	19,865
319,500	0,213	0,622	1,348	0,127	0,011	0,329	1,446	73,494	19,267	22,693	21,221	20,762	20,572	21,051	30,461	19,866

Pellematic 56_cat II_run 1_191211.Dat

Category: II

	1102	1103	1108	1109	130	230	101	102	1	2	3	6	7	8	11	
Mättid	T4 outlet load side	T3 inlet load side	T2 inlet boiler	T1 outlet boiler	Flow load side	Flow boiler side	Heat output load side	Heat output boiler	CO chimney	CO2 chimney	O2 chimney	Pstat	Pdyn	Tunnel velocity	Våg	Tidpunkt
Minuter	°C	°C	°C	°C	m³/h	m³/h	W	W	ppm	%	%	Pa	Pa	m/s	kg	Klockan
307,500	63,423	43,872	51,819	72,014	0,503	0,501	11313,344	11610,566	40,101	11,612	8,843	4,964	53,657	9,457	965,972	2019-12-11 15:59
307,833	63,376	43,882	51,800	72,038	0,503	0,501	11294,043	11631,011	38,755	11,415	9,011	4,925	53,176	9,414	965,972	2019-12-11 15:59
308,167	63,339	43,911	51,793	72,057	0,503	0,501	11249,282	11662,506	36,910	11,249	9,198	4,954	53,543	9,447	965,846	2019-12-11 16:00
308,500	63,389	43,954	51,834	72,057	0,504	0,502	11264,237	11651,836	37,739	11,186	9,269	4,943	53,991	9,486	965,846	2019-12-11 16:00
308,833	63,415	44,011	51,880	72,121	0,503	0,501	11239,152	11636,513	35,799	10,923	9,478	5,002	53,944	9,482	965,846	2019-12-11 16:00
309,167	63,436	44,062	51,903	72,090	0,503	0,501	11224,341	11605,039	36,199	10,907	9,575	5,013	53,516	9,444	965,845	2019-12-11 16:01
309,500	63,464	44,109	51,936	72,128	0,504	0,500	11214,810	11589,309	35,231	10,747	9,676	5,033	53,458	9,439	965,846	2019-12-11 16:01
309,834	63,485	44,144	51,974	72,156	0,504	0,500	11207,505	11580,290	32,790	10,566	9,857	4,965	52,808	9,382	965,834	2019-12-11 16:01
310,167	63,057	44,164	52,001	72,144	0,504	0,501	10946,064	11586,813	33,630	10,710	9,778	4,994	52,926	9,392	965,846	2019-12-11 16:02
310,500	63,167	44,158	52,092	72,137	0,504	0,500	11013,314	11503,000	32,371	10,743	9,698	5,022	53,418	9,436	965,751	2019-12-11 16:02
310,834	63,208	44,127	52,243	72,183	0,503	0,500	11033,950	11439,088	32,448	10,464	9,950	5,008	53,649	9,456	965,752	2019-12-11 16:02
311,167	63,221	44,084	52,318	72,208	0,503	0,500	11082,679	11400,558	37,650	10,617	9,916	4,970	53,808	9,470	965,752	2019-12-11 16:03
311,500	63,215	44,026	52,338	72,239	0,504	0,501	11117,257	11447,595	37,909	10,544	9,901	4,918	53,585	9,450	965,752	2019-12-11 16:03
311,834	63,220	43,971	52,342	72,240	0,503	0,500	11150,144	11421,620	39,411	10,351	10,063	5,000	53,035	9,402	965,752	2019-12-11 16:03
312,167	63,213	43,918	52,331	72,227	0,504	0,500	11181,193	11410,188	35,896	10,247	10,207	5,061	53,223	9,418	965,658	2019-12-11 16:04
312,500	63,194	43,876	52,295	72,256	0,504	0,501	11197,330	11463,767	34,133	10,332	10,159	4,972	53,460	9,439	965,752	2019-12-11 16:04
312,833	63,208	43,846	52,273	72,240	0,504	0,500	11219,903	11460,360	33,292	10,335	10,122	4,975	53,067	9,404	965,658	2019-12-11 16:04
313,167	63,197	43,835	52,246	72,239	0,504	0,500	11221,158	11465,859	30,526	10,259	10,201	4,931	52,665	9,369	965,658	2019-12-11 16:05
313,500	63,200	43,843	52,220	72,268	0,503	0,501	11204,832	11531,340	29,933	10,211	10,239	4,983	53,242	9,420	965,659	2019-12-11 16:05
313,833	63,217	43,869	52,222	72,283	0,503	0,499	11193,785	11494,999	34,587	10,234	10,243	4,980	53,199	9,416	965,659	2019-12-11 16:05
314,167	63,226	43,896	52,224	72,284	0,503	0,501	11192,359	11531,375	36,137	10,208	10,285	5,019	53,246	9,420	965,564	2019-12-11 16:06
314,500	63,247	43,923	52,231	72,314	0,503	0,501	11193,154	11538,165	37,400	10,100	10,347	5,024	53,211	9,417	965,658	2019-12-11 16:06
314,833	63,258	43,945	52,245	72,303	0,504	0,501	11189,846	11520,384	36,313	10,046	10,440	5,044	52,925	9,392	965,564	2019-12-11 16:06
315,167	63,265	43,964	52,270	72,315	0,504	0,500	11183,500	11502,411	37,990	10,078	10,408	5,000	53,240	9,420	965,565	2019-12-11 16:07
315,500	63,274	43,976	52,281	72,321	0,503	0,501	11160,506	11527,693	36,066	10,282	10,243	5,014	53,757	9,465	965,564	2019-12-11 16:07
315,833	63,293	43,988	52,305	72,317	0,503	0,502	11179,629	11517,344	39,079	10,385	10,115	4,997	54,328	9,516	965,473	2019-12-11 16:07
316,167	63,291	43,987	52,338	72,327	0,504	0,500	11184,697	11475,993	39,338	10,441	10,029	4,996	53,454	9,439	965,564	2019-12-11 16:08
316,500	63,292	43,987	52,331	72,361	0,503	0,501	11176,834	11502,398	37,158	10,748	9,780	5,028	53,745	9,464	965,472	2019-12-11 16:08
316,834	63,300	43,987	52,338	72,361	0,503	0,500	11174,642	11491,364	35,719	10,816	9,624	4,962	53,354	9,430	965,473	2019-12-11 16:08
317,167	63,307	43,988	52,332	72,332	0,503	0,502	11189,380	11509,088	38,331	10,571	9,861	5,015	53,127	9,410	965,473	2019-12-11 16:09
317,500	63,330	43,988	52,354	72,357	0,503	0,502	11195,977	11517,895	37,078	10,417	10,063	5,033	52,863	9,386	965,473	2019-12-11 16:09
317,834	63,317	43,993	52,358	72,355	0,503	0,501	11195,422	11497,106	34,550	10,378	10,086	5,062	53,799	9,469	965,472	2019-12-11 16:09
318,167	63,324	43,997	52,362	72,361	0,503	0,501	11190,902	11503,205	33,046	10,431	10,052	5,047	53,086	9,406	965,472	2019-12-11 16:10
318,500	63,340	44,012	52,371	72,347	0,503	0,502	11188,460	11501,222	37,238	10,589	9,919	5,085	52,681	9,370	965,349	2019-12-11 16:10
318,833	63,337	44,034	52,389	72,371	0,503	0,501	11175,407	11497,099	37,325	10,704	9,757	5,033	53,269	9,422	965,349	2019-12-11 16:10
319,167	63,343	44,062	52,390	72,355	0,503	0,501	11168,812	11469,975	33,242	10,560	9,862	4,991	53,740	9,464	965,473	2019-12-11 16:11
319,500	63,345	44,096	52,387	72,399	0,504	0,500	11169,767	11477,291	35,978	10,606	9,868	5,069	54,128	9,498	965,349	2019-12-11 16:11

Pellematic 56_cat II_run 1_191211.Dat

Category: II

	301	302	304	305	306	308	317	1311	1312	1313	1314	1315	1316	1317	1318	1101
Mättid	CO chimney	CO2 chimney	Pdyn	Pstat	Static pressure chimney	O2 chimney	Våg	Flue gas temp	Ambient	Flue gas at pitot	filter temp 1	filter temp 2	gas meter temp 1	gas meter temp 2	gasmeter temp ambient	
Minuter	VDC	VDC	VDC	VDC	VDC	VDC	VDC	°C	°C	°C	°C	°C	°C	°C	°C	°C
319,833	0,214	0,639	1,339	0,125	0,015	0,314	1,446	73,489	19,232	22,676	21,215	20,771	20,553	21,049	30,447	19,858
320,167	0,213	0,646	1,332	0,125	0,016	0,309	1,446	73,502	19,206	22,710	21,200	20,762	20,559	21,041	30,450	19,855
320,500	0,213	0,641	1,333	0,125	0,014	0,314	1,445	73,512	19,093	22,702	21,217	20,769	20,563	21,040	30,431	19,856
320,833	0,214	0,645	1,332	0,124	0,016	0,311	1,446	73,493	19,210	22,693	21,208	20,772	20,570	21,038	30,441	19,855
321,167	0,215	0,647	1,352	0,124	0,006	0,309	1,445	73,518	19,233	22,712	21,210	20,765	20,564	21,047	30,441	19,858
321,500	0,215	0,640	1,338	0,124	0,012	0,316	1,445	73,509	19,285	22,685	21,217	20,761	20,564	21,039	30,431	19,854
321,833	0,215	0,643	1,334	0,123	0,011	0,313	1,444	73,550	19,229	22,704	21,216	20,769	20,569	21,030	30,430	19,852
322,167	0,213	0,644	1,335	0,126	0,015	0,311	1,444	73,520	19,255	22,714	21,208	20,765	20,562	21,039	30,437	19,854
322,500	0,213	0,636	1,340	0,123	0,013	0,319	1,444	73,521	19,274	22,723	21,203	20,756	20,568	21,041	30,426	19,854
322,833	0,213	0,630	1,338	0,125	0,014	0,324	1,444	73,517	19,332	22,704	21,197	20,764	20,570	21,040	30,433	19,850
323,167	0,215	0,638	1,341	0,125	0,018	0,317	1,444	73,539	19,274	22,649	21,203	20,761	20,571	21,036	30,450	19,850
323,500	0,215	0,635	1,339	0,124	0,010	0,319	1,443	73,528	19,242	22,655	21,197	20,756	20,562	21,045	30,445	19,848
323,834	0,215	0,633	1,329	0,125	0,011	0,321	1,443	73,575	19,301	22,706	21,212	20,770	20,564	21,041	30,442	19,849
324,167	0,214	0,630	1,326	0,126	0,015	0,323	1,443	73,579	19,283	22,719	21,222	20,771	20,560	21,041	30,438	19,852
324,500	0,213	0,625	1,337	0,125	0,021	0,328	1,443	73,545	19,384	22,738	21,220	20,774	20,563	21,035	30,435	19,845
324,834	0,213	0,621	1,335	0,125	0,019	0,331	1,443	73,565	19,382	22,728	21,215	20,765	20,563	21,032	30,424	19,846
325,167	0,214	0,626	1,333	0,125	0,013	0,326	1,443	73,579	19,317	22,665	21,208	20,772	20,568	21,040	30,427	19,846
325,500	0,213	0,623	1,324	0,125	0,013	0,330	1,441	73,629	19,281	22,688	21,203	20,762	20,554	21,035	30,412	19,842
325,833	0,213	0,622	1,338	0,125	0,013	0,331	1,441	73,617	19,263	22,685	21,204	20,761	20,563	21,042	30,419	19,844
326,167	0,212	0,625	1,338	0,127	0,016	0,329	1,441	73,589	19,260	22,688	21,204	20,757	20,552	21,038	30,422	19,844
326,500	0,211	0,624	1,340	0,127	0,014	0,330	1,441	73,577	19,125	22,705	21,210	20,772	20,548	21,040	30,419	19,847
326,833	0,212	0,625	1,316	0,126	0,020	0,329	1,441	73,577	19,229	22,720	21,207	20,770	20,550	21,035	30,411	19,843
327,167	0,213	0,626	1,343	0,125	0,010	0,327	1,441	73,601	19,218	22,737	21,217	20,758	20,552	21,031	30,410	19,839
327,500	0,213	0,627	1,348	0,125	0,017	0,327	1,441	73,629	19,232	22,711	21,205	20,761	20,546	21,033	30,421	19,839
327,833	0,214	0,631	1,352	0,125	0,017	0,323	1,440	73,628	19,140	22,727	21,217	20,760	20,555	21,041	30,416	19,844
328,167	0,214	0,634	1,352	0,126	0,018	0,321	1,440	73,616	19,230	22,739	21,208	20,762	20,547	21,037	30,429	19,839
328,500	0,213	0,633	1,342	0,127	0,016	0,322	1,440	73,626	19,335	22,718	21,208	20,770	20,539	21,032	30,425	19,837
328,833	0,212	0,623	1,346	0,127	0,014	0,329	1,440	73,617	19,307	22,714	21,218	20,753	20,545	21,039	30,419	19,839
329,167	0,212	0,625	1,345	0,126	0,014	0,327	1,440	73,653	19,343	22,707	21,206	20,758	20,537	21,033	30,419	19,835
329,500	0,212	0,630	1,337	0,125	0,016	0,323	1,440	73,665	19,339	22,717	21,214	20,772	20,540	21,033	30,420	19,837
329,833	0,213	0,635	1,317	0,124	0,016	0,319	1,440	73,674	19,250	22,738	21,207	20,766	20,540	21,028	30,417	19,833
330,167	0,212	0,638	1,319	0,125	0,018	0,316	1,440	73,683	19,249	22,759	21,229	20,771	20,553	21,043	30,413	19,836
330,500	0,212	0,635	1,337	0,126	0,010	0,320	1,438	73,662	19,277	22,748	21,229	20,762	20,553	21,028	30,421	19,837
330,834	0,213	0,631	1,345	0,127	0,015	0,323	1,438	73,679	19,207	22,696	21,207	20,767	20,544	21,022	30,415	19,832
331,167	0,213	0,635	1,334	0,125	0,015	0,320	1,438	73,685	19,212	22,695	21,203	20,752	20,542	21,025	30,418	19,831
331,500	0,214	0,643	1,328	0,126	0,013	0,312	1,438	73,694	19,178	22,705	21,207	20,764	20,542	21,025	30,423	19,833
331,834	0,213	0,646	1,332	0,126	0,015	0,310	1,437	73,690	19,133	22,693	21,204	20,749	20,537	21,034	30,420	19,830

Pellematic 56_cat II_run 1_191211.Dat

Category: II

	1102	1103	1108	1109	130	230	101	102	1	2	3	6	7	8	11	
Mättid	T4 outlet load side	T3 inlet load side	T2 inlet boiler	T1 outlet boiler	Flow load side	Flow boiler side	Heat output load side	Heat output boiler	CO chimney	CO2 chimney	O2 chimney	Pstat	Pdyn	Tunnel velocity	Våg	Tidpunkt
Minuter	°C	°C	°C	°C	m³/h	m³/h	W	W	ppm	%	%	Pa	Pa	m/s	kg	Klockan
319,833	63,354	44,143	52,386	72,384	0,504	0,501	11130,542	11495,862	36,735	11,086	9,423	5,017	53,539	9,446	965,349	2019-12-11 16:11
320,167	63,377	44,189	52,403	72,373	0,503	0,501	11109,545	11489,705	36,479	11,130	9,269	4,986	53,412	9,435	965,349	2019-12-11 16:12
320,500	63,393	44,242	52,444	72,376	0,503	0,501	11091,813	11460,988	35,313	11,004	9,417	4,990	53,238	9,420	965,254	2019-12-11 16:12
320,833	63,421	44,285	52,477	72,398	0,504	0,502	11093,725	11476,614	39,670	11,163	9,317	4,950	53,732	9,463	965,349	2019-12-11 16:12
321,167	63,444	44,321	52,519	72,395	0,503	0,502	11072,907	11454,361	40,590	11,114	9,278	4,955	54,312	9,514	965,254	2019-12-11 16:13
321,500	63,454	44,349	52,564	72,408	0,503	0,501	11063,026	11404,976	39,752	10,954	9,471	4,956	53,279	9,423	965,349	2019-12-11 16:13
321,833	63,445	44,368	52,592	72,417	0,503	0,502	11042,180	11426,098	39,080	11,112	9,383	4,934	53,357	9,430	965,254	2019-12-11 16:13
322,167	63,029	44,374	52,623	72,437	0,503	0,501	10801,314	11384,351	33,375	11,058	9,343	5,026	53,280	9,423	965,254	2019-12-11 16:14
322,500	63,123	44,374	52,738	72,406	0,503	0,502	10854,292	11322,410	34,807	10,830	9,577	4,939	53,606	9,452	965,254	2019-12-11 16:14
322,833	63,156	44,367	52,871	72,432	0,503	0,502	10875,595	11256,936	37,564	10,774	9,712	5,002	53,440	9,438	965,254	2019-12-11 16:14
323,167	63,170	44,356	52,936	72,430	0,504	0,500	10905,866	11189,533	41,428	10,992	9,504	4,992	53,807	9,470	965,254	2019-12-11 16:15
323,500	63,166	44,337	52,946	72,465	0,504	0,501	10908,579	11216,023	41,959	10,865	9,568	4,974	53,276	9,423	965,161	2019-12-11 16:15
323,834	63,173	44,315	52,949	72,494	0,503	0,501	10904,134	11224,767	39,339	10,828	9,630	4,984	52,934	9,393	965,161	2019-12-11 16:15
324,167	63,168	44,288	52,949	72,448	0,503	0,501	10929,794	11203,868	35,980	10,726	9,691	5,035	53,081	9,406	965,161	2019-12-11 16:16
324,500	63,229	44,256	52,951	72,494	0,503	0,501	10983,111	11237,459	34,295	10,588	9,842	5,015	53,486	9,442	965,160	2019-12-11 16:16
324,834	63,278	44,228	52,929	72,513	0,503	0,501	11016,465	11259,350	37,910	10,556	9,916	4,989	53,505	9,443	965,160	2019-12-11 16:16
325,167	63,271	44,206	52,879	72,507	0,503	0,502	11031,673	11293,597	36,568	10,661	9,785	4,994	52,864	9,386	965,160	2019-12-11 16:17
325,500	63,262	44,189	52,857	72,524	0,503	0,500	11049,363	11289,161	35,156	10,535	9,906	5,014	53,071	9,405	965,066	2019-12-11 16:17
325,833	63,262	44,176	52,817	72,522	0,503	0,500	11044,877	11296,838	35,642	10,562	9,924	5,005	53,539	9,446	965,066	2019-12-11 16:17
326,167	63,249	44,168	52,794	72,555	0,503	0,501	11046,640	11361,685	30,355	10,600	9,860	5,070	53,564	9,448	965,066	2019-12-11 16:18
326,500	63,262	44,164	52,787	72,585	0,503	0,501	11054,289	11367,955	31,780	10,603	9,894	5,071	53,605	9,452	965,066	2019-12-11 16:18
326,833	63,270	44,166	52,780	72,572	0,503	0,501	11061,644	11380,604	34,122	10,630	9,862	5,058	52,514	9,355	965,066	2019-12-11 16:18
327,167	63,297	44,158	52,792	72,580	0,503	0,501	11077,179	11381,678	36,158	10,671	9,817	4,986	53,694	9,460	965,066	2019-12-11 16:19
327,500	63,290	44,154	52,802	72,607	0,503	0,501	11082,437	11373,981	36,486	10,675	9,800	4,998	53,787	9,468	965,066	2019-12-11 16:19
327,833	63,302	44,158	52,794	72,586	0,503	0,501	11082,530	11383,885	39,082	10,820	9,686	5,011	54,025	9,489	964,974	2019-12-11 16:19
328,167	63,313	44,161	52,809	72,623	0,504	0,501	11096,939	11391,968	37,407	10,841	9,626	5,030	54,247	9,508	964,975	2019-12-11 16:20
328,500	63,323	44,161	52,812	72,634	0,503	0,502	11096,265	11407,570	35,220	10,784	9,649	5,092	53,636	9,455	964,975	2019-12-11 16:20
328,833	63,336	44,169	52,810	72,683	0,503	0,501	11094,040	11416,700	33,041	10,542	9,874	5,077	53,883	9,477	964,974	2019-12-11 16:20
329,167	63,324	44,174	52,817	72,673	0,503	0,501	11074,182	11405,920	32,763	10,682	9,804	5,052	53,651	9,456	964,974	2019-12-11 16:21
329,500	63,338	44,184	52,831	72,704	0,503	0,502	11086,227	11442,345	33,378	10,769	9,703	4,990	53,126	9,410	964,974	2019-12-11 16:21
329,833	63,351	44,194	52,850	72,712	0,503	0,501	11089,686	11413,501	36,231	10,904	9,563	4,980	52,556	9,359	964,973	2019-12-11 16:21
330,167	63,362	44,208	52,858	72,740	0,503	0,501	11081,321	11422,196	33,467	10,955	9,482	5,014	52,744	9,376	964,974	2019-12-11 16:22
330,500	63,381	44,227	52,865	72,728	0,503	0,502	11081,412	11440,978	34,215	10,828	9,603	5,053	53,530	9,445	964,848	2019-12-11 16:22
330,834	63,405	44,240	52,897	72,737	0,502	0,500	11074,636	11381,771	34,639	10,748	9,697	5,061	53,607	9,452	964,848	2019-12-11 16:22
331,167	63,407	44,250	52,907	72,753	0,502	0,502	11075,428	11418,407	36,658	10,934	9,588	4,999	53,060	9,404	964,848	2019-12-11 16:23
331,500	63,430	44,256	52,918	72,774	0,503	0,502	11092,182	11431,446	36,540	11,143	9,364	5,034	53,138	9,411	964,848	2019-12-11 16:23
331,834	63,425	44,252	52,942	72,816	0,503	0,501	11092,639	11431,238	36,741	11,154	9,287	5,050	53,248	9,421	964,767	2019-12-11 16:23

Pellematic 56_cat II_run 1_191211.Dat

Category: II

	301	302	304	305	306	308	317	1311	1312	1313	1314	1315	1316	1317	1318	1101
Mättid	CO chimney	CO2 chimney	Pdyn	Pstat	Static pressure chimney	O2 chimney	Våg	Flue gas temp	Ambient	Flue gas at pitot	filter temp 1	filter temp 2	gas meter temp 1	gas meter temp 2	gasmeter temp ambient	
Minuter	VDC	VDC	VDC	VDC	VDC	VDC	VDC	°C	°C	°C	°C	°C	°C	°C	°C	°C
332,167	0,214	0,648	1,342	0,125	0,014	0,308	1,438	73,692	19,148	22,720	21,199	20,745	20,535	21,031	30,414	19,828
332,500	0,214	0,649	1,347	0,124	0,009	0,308	1,436	73,711	19,182	22,687	21,197	20,758	20,544	21,029	30,407	19,831
332,833	0,215	0,644	1,342	0,123	0,019	0,313	1,435	73,680	19,114	22,691	21,190	20,754	20,543	21,032	30,408	19,828
333,167	0,216	0,640	1,343	0,124	0,015	0,316	1,436	73,683	19,149	22,635	21,192	20,768	20,534	21,023	30,404	19,825
333,500	0,215	0,632	1,345	0,125	0,018	0,322	1,435	73,744	19,222	22,659	21,194	20,755	20,540	21,021	30,423	19,825
333,833	0,214	0,626	1,333	0,126	0,017	0,327	1,436	73,751	19,238	22,663	21,192	20,751	20,529	21,028	30,431	19,822
334,167	0,214	0,627	1,346	0,126	0,017	0,326	1,435	73,745	19,188	22,656	21,185	20,753	20,532	21,034	30,419	19,819
334,500	0,216	0,627	1,346	0,127	0,010	0,326	1,436	73,748	19,187	22,655	21,187	20,756	20,526	21,030	30,424	19,817
334,833	0,216	0,621	1,335	0,125	0,016	0,331	1,435	73,755	19,189	22,655	21,184	20,748	20,528	21,020	30,413	19,813
335,167	0,218	0,624	1,325	0,125	0,019	0,328	1,435	73,781	19,189	22,663	21,193	20,742	20,531	21,038	30,417	19,815
335,500	0,218	0,630	1,329	0,125	0,010	0,324	1,435	73,826	19,189	22,648	21,194	20,748	20,527	21,031	30,423	19,815
335,833	0,219	0,631	1,326	0,126	0,015	0,323	1,435	73,836	19,215	22,680	21,203	20,759	20,533	21,030	30,434	19,813
336,167	0,220	0,632	1,326	0,126	0,014	0,322	1,434	73,838	19,181	22,696	21,205	20,762	20,521	21,041	30,433	19,815
336,500	0,220	0,634	1,327	0,126	0,012	0,320	1,433	73,827	19,228	22,642	21,188	20,759	20,537	21,021	30,437	19,813
336,834	0,219	0,641	1,332	0,126	0,012	0,315	1,433	73,855	19,218	22,619	21,192	20,760	20,533	21,028	30,427	19,811
337,167	0,217	0,646	1,340	0,126	0,015	0,310	1,433	73,852	19,293	22,644	21,195	20,767	20,534	21,028	30,421	19,813
337,500	0,217	0,651	1,333	0,127	0,008	0,306	1,432	73,852	19,249	22,651	21,175	20,756	20,524	21,030	30,414	19,808
337,834	0,216	0,656	1,338	0,128	0,017	0,301	1,433	73,861	19,292	22,623	21,183	20,769	20,526	21,031	30,411	19,811
338,167	0,216	0,653	1,334	0,126	0,011	0,304	1,432	73,904	19,305	22,636	21,188	20,766	20,525	21,027	30,396	19,810
338,500	0,216	0,658	1,329	0,127	0,007	0,300	1,432	73,896	19,179	22,642	21,201	20,761	20,529	21,033	30,392	19,810
338,834	0,216	0,651	1,331	0,127	0,016	0,307	1,432	73,875	19,195	22,661	21,187	20,763	20,532	21,033	30,394	19,812
339,167	0,215	0,641	1,327	0,126	0,012	0,314	1,432	73,864	19,172	22,652	21,176	20,765	20,520	21,037	30,394	19,810
339,500	0,215	0,644	1,330	0,127	0,016	0,311	1,432	73,915	19,297	22,630	21,171	20,752	20,518	21,022	30,394	19,804
339,833	0,214	0,650	1,339	0,125	0,015	0,307	1,431	73,919	19,339	22,630	21,172	20,751	20,526	21,027	30,400	19,803
340,167	0,215	0,651	1,324	0,126	0,008	0,306	1,431	73,940	19,352	22,606	21,168	20,753	20,523	21,022	30,392	19,803
340,500	0,214	0,651	1,325	0,126	0,015	0,306	1,430	73,955	19,308	22,562	21,168	20,744	20,516	21,029	30,377	19,799
340,833	0,214	0,647	1,325	0,125	0,015	0,310	1,430	73,964	19,348	22,595	21,172	20,751	20,528	21,023	30,381	19,800
341,167	0,214	0,640	1,347	0,125	0,021	0,316	1,430	73,979	19,277	22,633	21,165	20,757	20,523	21,024	30,377	19,800
341,500	0,213	0,640	1,330	0,126	0,010	0,315	1,430	73,980	19,190	22,611	21,164	20,747	20,522	21,022	30,366	19,800
341,833	0,214	0,647	1,336	0,126	0,012	0,309	1,430	73,977	19,187	22,618	21,160	20,742	20,522	21,020	30,362	19,799
342,167	0,214	0,644	1,337	0,126	0,012	0,313	1,430	73,984	19,118	22,620	21,153	20,736	20,519	21,020	30,357	19,797
342,500	0,215	0,642	1,340	0,124	0,012	0,313	1,428	74,034	19,188	22,609	21,150	20,740	20,517	21,029	30,362	19,797
342,833	0,215	0,647	1,339	0,125	0,014	0,310	1,428	74,024	19,152	22,633	21,147	20,728	20,525	21,009	30,364	19,795
343,167	0,215	0,641	1,344	0,125	0,014	0,315	1,428	74,037	19,127	22,611	21,152	20,724	20,525	21,019	30,377	19,791
343,500	0,214	0,640	1,349	0,126	0,014	0,314	1,427	74,050	19,102	22,644	21,151	20,730	20,522	21,020	30,372	19,792
343,834	0,214	0,649	1,336	0,127	0,011	0,307	1,427	74,039	19,020	22,643	21,153	20,739	20,521	21,032	30,368	19,792
344,167	0,214	0,651	1,336	0,124	0,014	0,306	1,428	74,092	18,995	22,648	21,148	20,718	20,514	21,016	30,365	19,789

Pellematic 56_cat II_run 1_191211.Dat

Category: II

	1102	1103	1108	1109	130	230	101	102	1	2	3	6	7	8	11	
Mättid	T4 outlet load side	T3 inlet load side	T2 inlet boiler	T1 outlet boiler	Flow load side	Flow boiler side	Heat output load side	Heat output boiler	CO chimney	CO2 chimney	O2 chimney	Pstat	Pdyn	Tunnel velocity	Våg	Tidpunkt
Minuter	°C	°C	°C	°C	m³/h	m³/h	W	W	ppm	%	%	Pa	Pa	m/s	kg	Klockan
332,167	63,436	44,237	52,955	72,778	0,503	0,502	11113,580	11409,140	37,909	11,222	9,254	5,018	53,782	9,468	964,848	2019-12-11 16:24
332,500	63,347	44,222	52,958	72,806	0,504	0,500	11081,619	11393,574	39,588	11,239	9,234	4,969	53,732	9,463	964,754	2019-12-11 16:24
332,833	63,339	44,205	52,953	72,849	0,503	0,501	11070,733	11437,743	41,597	11,026	9,381	4,909	53,527	9,445	964,754	2019-12-11 16:24
333,167	63,368	44,181	52,976	72,849	0,503	0,502	11095,688	11438,382	41,848	10,954	9,474	4,977	53,443	9,438	964,754	2019-12-11 16:25
333,500	63,372	44,164	53,003	72,824	0,503	0,501	11118,794	11395,635	39,083	10,716	9,668	5,013	53,799	9,469	964,754	2019-12-11 16:25
333,833	63,370	44,159	53,001	72,839	0,503	0,501	11117,257	11397,814	35,985	10,556	9,817	5,055	53,243	9,420	964,753	2019-12-11 16:25
334,167	63,372	44,146	52,989	72,884	0,503	0,501	11123,047	11443,766	38,322	10,728	9,769	5,032	53,792	9,469	964,660	2019-12-11 16:26
334,500	63,372	44,141	52,991	72,905	0,503	0,501	11128,019	11446,895	42,184	10,631	9,779	5,067	53,676	9,458	964,754	2019-12-11 16:26
334,833	63,372	44,136	52,988	72,889	0,503	0,500	11126,119	11412,251	43,109	10,478	9,937	5,017	53,606	9,452	964,660	2019-12-11 16:26
335,167	63,382	44,131	52,981	72,906	0,503	0,501	11141,746	11454,420	48,318	10,672	9,845	4,981	52,892	9,389	964,660	2019-12-11 16:27
335,500	63,382	44,119	52,980	72,942	0,503	0,500	11157,476	11451,863	47,118	10,786	9,723	5,012	52,690	9,371	964,660	2019-12-11 16:27
335,833	63,152	44,096	52,972	72,925	0,503	0,501	11024,826	11470,012	51,174	10,762	9,691	5,055	52,863	9,386	964,660	2019-12-11 16:27
336,167	62,941	44,070	52,989	72,951	0,503	0,501	10914,225	11480,624	52,356	10,840	9,674	5,044	53,030	9,401	964,566	2019-12-11 16:28
336,500	63,015	44,040	53,117	72,965	0,503	0,501	10981,381	11397,853	53,424	10,880	9,602	5,044	53,259	9,422	964,566	2019-12-11 16:28
336,834	63,027	44,007	53,212	73,012	0,503	0,500	11001,067	11351,271	48,741	11,050	9,438	5,039	52,926	9,392	964,567	2019-12-11 16:28
337,167	63,021	43,965	53,230	72,992	0,503	0,501	11023,375	11361,208	46,380	11,174	9,299	5,028	53,808	9,470	964,566	2019-12-11 16:29
337,500	63,098	43,940	53,242	73,000	0,503	0,500	11083,887	11336,642	44,113	11,329	9,181	5,068	53,553	9,448	964,474	2019-12-11 16:29
337,834	63,150	43,912	53,227	73,030	0,503	0,500	11124,645	11358,681	42,292	11,401	9,033	5,120	53,578	9,450	964,566	2019-12-11 16:29
338,167	63,141	43,895	53,184	73,054	0,503	0,501	11139,271	11412,384	42,352	11,298	9,132	5,055	53,373	9,432	964,474	2019-12-11 16:30
338,500	63,134	43,883	53,156	73,043	0,503	0,502	11139,480	11454,467	44,877	11,471	9,005	5,090	53,270	9,422	964,474	2019-12-11 16:30
338,834	63,147	43,876	53,151	73,080	0,503	0,501	11148,738	11445,712	43,868	11,197	9,196	5,087	53,345	9,429	964,475	2019-12-11 16:30
339,167	63,158	43,867	53,143	73,104	0,503	0,501	11175,454	11469,746	40,416	11,019	9,430	5,052	52,841	9,384	964,474	2019-12-11 16:31
339,500	63,408	43,868	53,134	73,106	0,503	0,502	11313,724	11495,752	38,665	11,153	9,345	5,091	53,471	9,440	964,475	2019-12-11 16:31
339,833	63,578	43,870	53,096	73,160	0,503	0,500	11415,814	11506,302	38,664	11,277	9,210	5,012	53,658	9,457	964,348	2019-12-11 16:31
340,167	63,548	43,885	52,950	73,139	0,503	0,501	11375,737	11598,653	40,344	11,270	9,182	5,031	53,061	9,404	964,474	2019-12-11 16:32
340,500	63,533	43,896	52,873	73,165	0,503	0,501	11373,777	11669,888	38,240	11,264	9,181	5,041	53,056	9,404	964,348	2019-12-11 16:32
340,833	63,451	43,913	52,855	73,174	0,503	0,502	11301,374	11698,492	38,309	11,126	9,305	5,015	53,083	9,406	964,349	2019-12-11 16:32
341,167	63,482	43,914	52,882	73,201	0,503	0,501	11336,158	11674,700	38,163	10,967	9,479	5,018	54,149	9,500	964,349	2019-12-11 16:33
341,500	63,496	43,914	52,909	73,214	0,503	0,501	11333,606	11662,477	35,892	11,064	9,439	5,049	53,112	9,409	964,349	2019-12-11 16:33
341,833	63,519	43,918	52,908	73,243	0,502	0,502	11329,925	11705,417	39,256	11,209	9,278	5,052	53,394	9,433	964,349	2019-12-11 16:33
342,167	63,057	43,916	52,949	73,250	0,502	0,503	11068,522	11702,313	38,326	11,024	9,388	5,047	53,545	9,447	964,349	2019-12-11 16:34
342,500	63,157	43,916	53,074	73,268	0,503	0,501	11144,369	11598,652	42,103	11,094	9,396	4,958	53,666	9,457	964,254	2019-12-11 16:34
342,833	63,184	43,920	53,192	73,317	0,503	0,501	11149,198	11568,456	41,678	11,177	9,287	5,008	53,484	9,441	964,254	2019-12-11 16:34
343,167	63,210	43,930	53,249	73,281	0,503	0,501	11162,704	11519,160	38,431	10,954	9,462	5,006	53,856	9,474	964,254	2019-12-11 16:35
343,500	63,228	43,954	53,274	73,294	0,503	0,501	11146,415	11492,344	38,657	11,058	9,411	5,022	53,988	9,486	964,160	2019-12-11 16:35
343,834	63,251	43,974	53,295	73,321	0,502	0,502	11141,141	11519,266	39,757	11,306	9,203	5,062	53,468	9,440	964,254	2019-12-11 16:35
344,167	63,261	43,991	53,320	73,332	0,503	0,501	11143,592	11489,772	36,552	11,238	9,192	4,964	53,591	9,451	964,254	2019-12-11 16:36

Pellematic 56_cat II_run 1_191211.Dat

Category: II

	301	302	304	305	306	308	317	1311	1312	1313	1314	1315	1316	1317	1318	1101
Mättid	CO chimney	CO2 chimney	Pdyn	Pstat	Static pressure chimney	O2 chimney	Våg	Flue gas temp	Ambient	Flue gas at pitot	filter temp 1	filter temp 2	gas meter temp 1	gas meter temp 2	gasmeter temp ambient	
Minuter	VDC	VDC	VDC	VDC	VDC	VDC	VDC	°C	°C	°C	°C	°C	°C	°C	°C	°C
344,500	0,214	0,644	1,333	0,125	0,015	0,312	1,428	74,068	19,074	22,644	21,141	20,729	20,506	21,017	30,364	19,788
344,834	0,213	0,640	1,343	0,126	0,015	0,316	1,427	74,053	19,118	22,659	21,141	20,719	20,516	21,015	30,378	19,786
345,167	0,212	0,630	1,335	0,125	0,011	0,324	1,427	74,060	19,071	22,649	21,148	20,725	20,512	21,011	30,370	19,784
345,500	0,212	0,625	1,318	0,125	0,010	0,327	1,427	74,047	19,151	22,655	21,145	20,719	20,509	21,010	30,375	19,783
345,834	0,212	0,628	1,335	0,124	0,017	0,325	1,427	74,055	19,097	22,668	21,131	20,709	20,511	21,012	30,374	19,783
346,167	0,212	0,625	1,333	0,125	0,014	0,328	1,427	74,028	19,182	22,659	21,133	20,712	20,509	21,010	30,378	19,777
346,500	0,212	0,616	1,323	0,124	0,015	0,336	1,427	74,040	19,204	22,672	21,146	20,715	20,505	21,011	30,363	19,776
346,833	0,214	0,620	1,320	0,126	0,019	0,332	1,425	74,052	19,091	22,672	21,131	20,713	20,501	21,013	30,370	19,777
347,167	0,217	0,627	1,329	0,126	0,016	0,327	1,425	74,060	19,096	22,632	21,138	20,706	20,507	21,024	30,370	19,771
347,500	0,217	0,619	1,319	0,126	0,013	0,333	1,425	74,067	19,062	22,665	21,132	20,702	20,503	21,014	30,381	19,767
347,833	0,216	0,614	1,326	0,126	0,012	0,337	1,425	74,055	19,118	22,681	21,138	20,701	20,509	21,012	30,379	19,768
348,167	0,217	0,609	1,322	0,126	0,019	0,342	1,425	74,054	19,206	22,629	21,127	20,696	20,501	20,998	30,381	19,763
348,500	0,215	0,604	1,340	0,127	0,014	0,346	1,425	74,087	19,243	22,616	21,121	20,692	20,499	21,007	30,388	19,761
348,833	0,215	0,608	1,331	0,127	0,012	0,342	1,425	74,102	19,259	22,637	21,130	20,698	20,495	20,998	30,397	19,757
349,167	0,215	0,608	1,328	0,127	0,015	0,342	1,425	74,087	19,325	22,627	21,126	20,705	20,499	21,004	30,421	19,756
349,500	0,214	0,608	1,340	0,126	0,016	0,342	1,424	74,098	19,212	22,628	21,131	20,702	20,501	21,004	30,432	19,758
349,833	0,214	0,615	1,333	0,126	0,013	0,336	1,424	74,127	19,269	22,614	21,130	20,700	20,496	21,000	30,431	19,753
350,167	0,214	0,624	1,343	0,125	0,015	0,329	1,424	74,148	19,174	22,627	21,126	20,701	20,498	21,001	30,448	19,752
350,500	0,213	0,623	1,337	0,127	0,021	0,331	1,423	74,192	19,216	22,649	21,117	20,706	20,499	21,007	30,446	19,751
350,834	0,213	0,621	1,332	0,126	0,021	0,332	1,424	74,187	19,094	22,630	21,124	20,698	20,502	20,998	30,433	19,752
351,167	0,214	0,627	1,323	0,126	0,012	0,326	1,424	74,195	19,039	22,661	21,129	20,692	20,500	20,994	30,435	19,745
351,500	0,214	0,633	1,311	0,128	0,018	0,321	1,422	74,201	18,991	22,627	21,131	20,694	20,498	21,002	30,434	19,746
351,834	0,216	0,639	1,333	0,127	0,015	0,317	1,422	74,234	18,972	22,623	21,137	20,695	20,498	20,998	30,422	19,743
352,167	0,216	0,636	1,343	0,126	0,014	0,320	1,422	74,214	19,107	22,655	21,137	20,704	20,500	21,000	30,424	19,742
352,500	0,215	0,630	1,338	0,125	0,014	0,325	1,421	74,210	19,072	22,675	21,141	20,696	20,509	20,996	30,427	19,742
352,833	0,215	0,636	1,326	0,126	0,018	0,319	1,421	74,199	19,060	22,682	21,136	20,695	20,509	21,001	30,427	19,737
353,167	0,215	0,641	1,338	0,126	0,016	0,316	1,422	74,224	18,969	22,685	21,135	20,683	20,513	20,999	30,416	19,736
353,500	0,215	0,639	1,318	0,128	0,014	0,318	1,420	74,220	19,124	22,712	21,134	20,693	20,504	21,000	30,423	19,734
353,833	0,214	0,629	1,311	0,127	0,014	0,326	1,420	74,226	19,129	22,682	21,122	20,681	20,499	20,998	30,423	19,727
354,167	0,214	0,627	1,333	0,126	0,019	0,327	1,420	74,230	19,033	22,710	21,128	20,685	20,500	20,990	30,419	19,727
354,500	0,214	0,628	1,340	0,126	0,019	0,326	1,420	74,266	19,062	22,719	21,132	20,675	20,499	20,985	30,433	19,723
354,833	0,214	0,629	1,326	0,125	0,014	0,325	1,420	74,294	19,056	22,668	21,124	20,677	20,499	21,002	30,411	19,724
355,167	0,214	0,631	1,334	0,128	0,013	0,322	1,419	74,286	19,089	22,660	21,125	20,686	20,487	20,987	30,420	19,718
355,500	0,215	0,636	1,338	0,126	0,014	0,318	1,419	74,255	19,085	22,638	21,127	20,680	20,496	20,983	30,422	19,715
355,833	0,215	0,636	1,322	0,125	0,013	0,320	1,419	74,298	19,011	22,603	21,124	20,669	20,492	20,991	30,421	19,710
356,167	0,214	0,635	1,331	0,127	0,008	0,319	1,419	74,303	19,118	22,614	21,119	20,682	20,496	20,990	30,426	19,710
356,500	0,213	0,638	1,345	0,129	0,009	0,317	1,419	74,318	19,168	22,635	21,121	20,690	20,494	21,001	30,427	19,708

Pellematic 56_cat II_run 1_191211.Dat

Category: II

	1102	1103	1108	1109	130	230	101	102	1	2	3	6	7	8	11	
Mättid	T4 outlet load side	T3 inlet load side	T2 inlet boiler	T1 outlet boiler	Flow load side	Flow boiler side	Heat output load side	Heat output boiler	CO chimney	CO2 chimney	O2 chimney	Pstat	Pdyn	Tunnel velocity	Våg	Tidpunkt
Minuter	°C	°C	°C	°C	m³/h	m³/h	W	W	ppm	%	%	Pa	Pa	m/s	kg	Klockan
344,500	63,280	43,997	53,341	73,343	0,502	0,502	11149,419	11512,526	37,566	11,056	9,363	4,993	53,308	9,426	964,255	2019-12-11 16:36
344,834	63,292	44,004	53,373	73,346	0,503	0,502	11153,206	11496,088	36,305	10,976	9,493	5,027	53,662	9,457	964,161	2019-12-11 16:36
345,167	63,309	44,001	53,393	73,419	0,503	0,502	11169,790	11527,530	32,963	10,669	9,716	5,018	53,344	9,429	964,161	2019-12-11 16:37
345,500	63,302	43,991	53,410	73,383	0,503	0,501	11177,059	11465,599	32,956	10,615	9,821	5,008	52,725	9,374	964,161	2019-12-11 16:37
345,834	63,314	43,973	53,400	73,413	0,503	0,502	11185,221	11521,005	34,548	10,702	9,755	4,971	53,777	9,467	964,160	2019-12-11 16:37
346,167	63,315	43,956	53,402	73,402	0,503	0,501	11205,444	11490,218	32,549	10,549	9,845	4,996	53,078	9,406	964,161	2019-12-11 16:38
346,500	63,302	43,943	53,397	73,428	0,503	0,501	11208,988	11515,699	34,803	10,366	10,065	4,968	52,649	9,367	964,160	2019-12-11 16:38
346,833	63,311	43,928	53,390	73,424	0,503	0,501	11216,312	11518,361	39,985	10,577	9,956	5,030	52,915	9,391	964,067	2019-12-11 16:38
347,167	63,314	43,923	53,379	73,419	0,503	0,501	11229,581	11518,727	48,901	10,669	9,800	5,034	52,847	9,385	964,067	2019-12-11 16:39
347,500	63,317	43,920	53,368	73,432	0,503	0,501	11232,242	11526,400	45,968	10,447	9,985	5,052	52,986	9,397	964,067	2019-12-11 16:39
347,833	63,325	43,923	53,367	73,456	0,503	0,502	11226,885	11557,146	43,326	10,328	10,124	5,037	53,007	9,399	964,067	2019-12-11 16:39
348,167	63,351	43,936	53,379	73,497	0,503	0,502	11237,776	11582,625	44,786	10,182	10,250	5,051	52,984	9,397	964,067	2019-12-11 16:40
348,500	63,355	43,956	53,397	73,477	0,503	0,501	11234,894	11539,112	39,671	10,091	10,374	5,065	53,576	9,449	964,067	2019-12-11 16:40
348,833	63,360	43,974	53,397	73,468	0,503	0,502	11221,985	11565,587	41,603	10,239	10,258	5,079	53,336	9,428	964,067	2019-12-11 16:40
349,167	63,372	43,990	53,416	73,465	0,503	0,500	11209,064	11507,607	38,837	10,244	10,270	5,061	52,806	9,381	964,067	2019-12-11 16:41
349,500	63,375	44,014	53,414	73,475	0,503	0,501	11203,988	11523,315	37,732	10,209	10,260	5,020	53,561	9,448	963,975	2019-12-11 16:41
349,833	63,381	44,036	53,415	73,494	0,503	0,501	11197,253	11544,525	37,994	10,445	10,071	5,038	53,347	9,429	963,975	2019-12-11 16:41
350,167	63,402	44,056	53,438	73,483	0,503	0,502	11196,054	11531,105	38,661	10,622	9,884	5,002	53,763	9,466	963,975	2019-12-11 16:42
350,500	63,400	44,070	53,468	73,487	0,503	0,502	11185,045	11526,297	34,965	10,530	9,933	5,069	53,267	9,422	963,975	2019-12-11 16:42
350,834	63,407	44,082	53,486	73,497	0,503	0,501	11184,640	11502,846	38,241	10,556	9,953	5,059	53,181	9,415	963,975	2019-12-11 16:42
351,167	63,417	44,090	53,499	73,514	0,503	0,501	11180,487	11509,186	37,153	10,719	9,788	5,036	53,011	9,400	963,975	2019-12-11 16:43
351,500	63,424	44,090	53,511	73,512	0,503	0,501	11179,457	11489,024	37,421	10,870	9,644	5,119	52,709	9,373	963,849	2019-12-11 16:43
351,834	62,937	44,085	53,514	73,530	0,503	0,501	10908,495	11501,724	43,379	10,974	9,498	5,071	53,645	9,456	963,848	2019-12-11 16:43
352,167	62,996	44,074	53,578	73,526	0,503	0,502	10955,006	11474,218	42,023	10,885	9,600	5,052	53,862	9,475	963,849	2019-12-11 16:44
352,500	63,043	44,055	53,733	73,527	0,503	0,501	10985,590	11377,931	39,663	10,736	9,736	5,008	53,343	9,429	963,754	2019-12-11 16:44
352,833	63,059	44,028	53,820	73,585	0,503	0,501	11012,304	11365,771	40,342	10,950	9,574	5,048	53,225	9,418	963,850	2019-12-11 16:44
353,167	63,108	43,999	53,855	73,539	0,503	0,502	11051,923	11328,402	41,183	11,045	9,478	5,056	53,221	9,418	963,849	2019-12-11 16:45
353,500	63,170	43,973	53,859	73,552	0,503	0,501	11105,140	11305,325	39,839	10,937	9,545	5,101	52,454	9,350	963,755	2019-12-11 16:45
353,833	63,132	43,947	53,809	73,560	0,503	0,502	11094,567	11365,524	39,331	10,687	9,768	5,080	52,511	9,355	963,755	2019-12-11 16:45
354,167	63,130	43,926	53,783	73,587	0,503	0,502	11110,078	11408,798	39,276	10,689	9,800	5,047	53,568	9,449	963,754	2019-12-11 16:46
354,500	63,124	43,906	53,776	73,590	0,503	0,501	11133,931	11385,536	37,821	10,709	9,767	5,025	53,385	9,433	963,754	2019-12-11 16:46
354,833	63,376	43,894	53,755	73,587	0,503	0,501	11277,248	11384,316	37,581	10,704	9,737	5,003	52,811	9,382	963,755	2019-12-11 16:46
355,167	63,568	43,892	53,714	73,606	0,503	0,501	11383,827	11425,249	38,912	10,824	9,665	5,127	53,300	9,425	963,661	2019-12-11 16:47
355,500	63,497	43,904	53,565	73,631	0,503	0,501	11334,152	11535,695	40,017	10,923	9,528	5,032	53,766	9,466	963,661	2019-12-11 16:47
355,833	63,494	43,926	53,472	73,605	0,503	0,502	11327,931	11585,580	40,442	10,860	9,589	5,019	52,762	9,377	963,661	2019-12-11 16:47
356,167	63,489	43,957	53,429	73,624	0,503	0,501	11303,134	11601,397	37,994	10,934	9,567	5,064	53,320	9,427	963,661	2019-12-11 16:48
356,500	63,466	43,989	53,417	73,620	0,503	0,502	11267,107	11625,750	34,383	10,929	9,520	5,143	54,004	9,487	963,661	2019-12-11 16:48

Pellematic 56_cat II_run 1_191211.Dat

Category: II

	301	302	304	305	306	308	317	1311	1312	1313	1314	1315	1316	1317	1318	1101
Mättid	CO chimney	CO2 chimney	Pdyn	Pstat	Static pressure chimney	O2 chimney	Våg	Flue gas temp	Ambient	Flue gas at pitot	filter temp 1	filter temp 2	gas meter temp 1	gas meter temp 2	gasmeter temp ambient	
Minuter	VDC	VDC	VDC	VDC	VDC	VDC	VDC	°C	°C	°C	°C	°C	°C	°C	°C	°C
356,833	0,212	0,636	1,346	0,127	0,016	0,319	1,419	74,322	19,143	22,652	21,133	20,688	20,503	20,997	30,431	19,708
357,167	0,212	0,634	1,342	0,127	0,016	0,320	1,419	74,358	19,107	22,659	21,122	20,681	20,483	20,990	30,439	19,702
357,500	0,213	0,637	1,334	0,126	0,011	0,317	1,419	74,333	19,030	22,703	21,128	20,686	20,496	20,989	30,436	19,702
357,834	0,213	0,642	1,347	0,126	0,015	0,314	1,417	74,345	19,143	22,688	21,132	20,674	20,479	20,990	30,438	19,698
358,167	0,212	0,639	1,324	0,127	0,015	0,316	1,417	74,352	19,266	22,693	21,138	20,690	20,495	20,993	30,427	19,698
358,500	0,212	0,633	1,329	0,127	0,015	0,322	1,417	74,357	19,170	22,684	21,140	20,687	20,490	20,986	30,434	19,700
358,834	0,212	0,627	1,327	0,127	0,016	0,326	1,417	74,346	19,118	22,678	21,147	20,688	20,493	20,992	30,436	19,699
359,167	0,213	0,625	1,333	0,126	0,022	0,329	1,417	74,354	19,179	22,701	21,145	20,695	20,499	20,997	30,425	19,697
359,500	0,212	0,624	1,345	0,128	0,017	0,329	1,417	74,341	19,220	22,675	21,151	20,696	20,499	20,989	30,409	19,696
359,833	0,211	0,623	1,349	0,128	0,011	0,330	1,416	74,362	19,176	22,660	21,139	20,691	20,491	20,990	30,401	19,692
360,167	0,210	0,619	1,347	0,128	0,010	0,333	1,416	74,325	19,144	22,662	21,148	20,685	20,500	20,998	30,407	19,695
360,500	0,211	0,615	1,337	0,128	0,008	0,337	1,416	74,362	19,330	22,638	21,009	20,616	20,502	20,989	30,243	19,690
360,833	0,212	0,611	1,319	0,127	0,019	0,340	1,416	74,345	19,466	22,591	20,894	20,563	20,499	20,996	30,092	19,692
361,167	0,213	0,610	1,324	0,129	0,010	0,340	1,416	74,367	19,496	22,560	20,892	20,561	20,516	20,991	30,058	19,694
361,500	0,213	0,616	1,325	0,129	0,011	0,335	1,416	74,343	19,567	22,564	20,888	20,563	20,507	20,999	30,040	19,694
361,833	0,213	0,624	1,335	0,126	0,017	0,329	1,416	74,297	19,563	22,549	20,885	-5,534	20,524	20,989	30,034	19,691
362,167	0,213	0,631	1,338	0,128	0,018	0,323	1,416	74,301	19,549	22,562	20,880	22,399	20,534	20,985	30,032	19,690

Pellematic 56_cat II_run 1_191211.Dat

Category: II

	1102	1103	1108	1109	130	230	101	102	1	2	3	6	7	8	11	
Mättid	T4 outlet load side	T3 inlet load side	T2 inlet boiler	T1 outlet boiler	Flow load side	Flow boiler side	Heat output load side	Heat output boiler	CO chimney	CO2 chimney	O2 chimney	Pstat	Pdyn	Tunnel velocity	Våg	Tidpunkt
Minuter	°C	°C	°C	°C	m ³ /h	m ³ /h	W	W	ppm	%	%	Pa	Pa	m/s	kg	Klockan
356,833	63,454	44,023	53,444	73,651	0,503	0,501	11239,808	11607,864	33,459	10,891	9,569	5,077	53,825	9,471	963,661	2019-12-11 16:48
357,167	63,464	44,050	53,480	73,662	0,503	0,501	11234,099	11603,605	32,284	10,866	9,615	5,082	53,461	9,439	963,661	2019-12-11 16:49
357,500	63,492	44,068	53,499	73,633	0,503	0,502	11238,318	11591,470	36,452	10,973	9,502	5,038	53,591	9,451	963,661	2019-12-11 16:49
357,834	62,994	44,082	53,539	73,689	0,503	0,500	10954,955	11563,503	35,648	11,060	9,414	5,044	53,784	9,468	963,568	2019-12-11 16:49
358,167	63,065	44,088	53,611	73,672	0,503	0,502	10989,776	11551,648	33,459	10,960	9,490	5,095	52,541	9,358	963,567	2019-12-11 16:50
358,500	63,127	44,092	53,769	73,693	0,503	0,502	11018,572	11479,248	34,387	10,773	9,659	5,083	53,169	9,414	963,568	2019-12-11 16:50
358,834	63,145	44,088	53,885	73,710	0,503	0,502	11036,351	11416,459	34,721	10,669	9,791	5,098	53,140	9,411	963,567	2019-12-11 16:50
359,167	63,157	44,078	53,929	73,704	0,503	0,501	11033,189	11371,111	34,879	10,608	9,857	5,057	53,488	9,442	963,567	2019-12-11 16:51
359,500	63,169	44,064	53,949	73,729	0,502	0,502	11046,431	11386,895	31,874	10,579	9,865	5,128	53,766	9,466	963,567	2019-12-11 16:51
359,833	63,173	44,052	53,961	73,724	0,503	0,502	11062,291	11378,069	30,606	10,546	9,913	5,110	53,767	9,466	963,494	2019-12-11 16:51
360,167	63,223	44,043	53,966	73,760	0,503	0,500	11091,251	11358,277	29,007	10,461	10,003	5,121	54,061	9,492	963,476	2019-12-11 16:52
360,500	63,249	44,024	53,950	73,696	0,502	0,502	11106,868	11365,146	31,439	10,333	10,111	5,138	53,301	9,425	963,476	2019-12-11 16:52
360,833	63,238	44,023	53,912	73,741	0,503	0,502	11110,807	11414,844	35,060	10,278	10,197	5,064	52,606	9,364	963,476	2019-12-11 16:52
361,167	63,235	44,031	53,904	73,746	0,503	0,502	11105,808	11414,100	35,635	10,264	10,214	5,172	53,072	9,405	963,475	2019-12-11 16:53
361,500	63,252	44,052	53,889	73,753	0,502	0,501	11101,189	11418,515	34,211	10,453	10,041	5,141	53,163	9,413	963,476	2019-12-11 16:53
361,833	63,287	44,080	53,891	73,741	0,502	0,501	11105,030	11406,669	36,394	10,625	9,866	5,024	53,517	9,444	963,475	2019-12-11 16:53
362,167	63,315	44,121	53,898	73,729	0,503	0,502	11103,043	11413,156	36,641	10,826	9,692	5,109	53,506	9,443	963,475	2019-12-11 16:54

Pellematic 56_cat II_run 2_191212.Dat

Category: II

Konfiguratic C:\Datainsamling\Konfiguration\EPA pellematic,KONF

Sparad: 2019-12-09 13:03

i klartext: 2019-12-09 13:03

	301	302	304	305	306	308	317	1311	1312	1313	1314	1315	1316	1317	1318	1101	1102
Mättid	CO chimney	CO2 chimney	Pdyn	Pstat	Static pressure chimney	O2 chimney	Våg	Flue gas temp	Ambient	Flue gas at pitot	filter temp 1	filter temp 2	gas meter temp 1	gas meter temp 2	gasmeter temp ambient		T4 outlet load side
Minuter	VDC	VDC	VDC	VDC	VDC	VDC	VDC	°C	°C	°C	°C	°C	°C	°C	°C	°C	°C
0,167	0,206	0,651	0,001	-0,010	0,015	0,310	1,496	69,769	19,512	23,284	23,903	28,781	19,937	19,763	20,193	19,743	63,043
0,500	0,205	0,647	0,000	-0,010	0,008	0,316	1,496	69,893	19,539	23,264	25,886	26,472	19,941	19,765	20,189	19,742	63,130
0,834	0,206	0,636	0,001	-0,010	0,015	0,323	1,496	70,028	19,521	23,282	25,099	26,910	19,936	19,770	20,191	19,743	63,176
1,167	0,206	0,631	0,001	-0,010	0,014	0,329	1,495	70,184	19,517	23,267	47,724	28,081	19,943	19,762	20,194	19,744	63,217
1,506	0,206	0,625	0,000	-0,010	0,015	0,334	1,494	70,393	19,517	23,234	20,751	24,254	19,938	19,764	20,185	19,743	62,800
2,026	0,207	0,636	0,001	-0,010	0,011	0,323	1,493	70,586	19,568	23,290	23,814	24,468	19,945	19,775	20,189	19,746	62,826
2,167	0,206	0,639	0,001	-0,010	0,012	0,321	1,493	70,712	19,575	23,336	26,871	28,186	19,947	19,763	20,187	19,746	62,888
2,512	0,206	0,639	0,001	-0,010	0,013	0,322	1,494	70,890	19,571	23,396	28,957	26,251	19,948	19,780	20,195	19,752	62,957
2,867	0,206	0,635	0,000	-0,010	0,009	0,325	1,492	71,042	19,531	23,352	29,289	29,699	19,939	19,764	20,177	19,744	63,029
3,167	0,206	0,634	0,001	-0,010	0,017	0,324	1,491	71,198	19,561	23,396	27,527	27,790	19,946	19,779	20,197	19,752	63,074
3,500	0,206	0,644	0,034	-0,010	0,018	0,316	1,491	71,341	19,547	23,370	30,339	29,501	19,951	19,773	20,184	19,750	63,107
3,833	0,207	0,644	0,162	0,075	0,018	0,318	1,491	71,486	19,561	23,360	29,062	29,791	19,963	19,782	20,206	19,765	63,196
4,167	0,208	0,637	0,415	0,120	0,013	0,324	1,491	71,646	19,518	23,352	27,581	29,906	19,952	19,784	20,214	19,759	63,244
4,500	0,207	0,632	1,185	0,118	0,018	0,329	1,491	71,768	19,531	23,385	26,154	26,363	19,965	19,776	20,210	19,761	63,300
4,833	0,208	0,618	1,289	0,116	0,018	0,340	1,489	71,918	19,531	23,358	23,625	31,799	19,950	19,780	20,211	19,759	63,158
5,167	0,208	0,611	1,335	0,116	0,019	0,347	1,490	72,085	19,567	23,412	-1,667	16,962	19,959	19,774	20,209	19,765	62,889
5,500	0,209	0,603	2,442	0,118	0,019	0,353	1,488	72,184	19,524	23,377	24,550	24,374	19,954	19,786	20,213	19,765	62,998
5,833	0,210	0,599	2,672	0,116	0,022	0,356	1,489	72,294	19,535	23,383	20,749	24,002	19,940	19,781	20,200	19,764	63,107
6,167	0,211	0,590	2,701	0,118	0,022	0,364	1,489	72,440	19,529	23,417	21,033	23,305	19,948	19,779	20,201	19,767	63,186
6,500	0,212	0,583	2,710	0,118	0,023	0,370	1,488	72,561	19,531	23,401	21,833	22,838	19,953	19,788	20,211	19,772	63,254
6,834	0,211	0,584	2,708	0,119	0,017	0,369	1,488	72,668	19,504	23,463	20,536	23,065	19,968	19,804	20,212	19,781	63,317
7,167	0,210	0,583	2,433	0,118	0,018	0,370	1,487	72,808	19,578	23,463	31,702	22,884	19,985	19,826	20,225	19,789	62,793
7,500	0,211	0,571	1,480	0,120	0,016	0,381	1,486	72,865	19,514	23,449	29,082	33,408	19,973	19,803	20,218	19,783	62,920
7,834	0,210	0,566	1,336	0,118	0,021	0,385	1,486	73,004	19,509	23,496	16,260	25,845	19,965	19,794	20,207	19,777	63,007
8,167	0,211	0,570	1,305	0,121	0,018	0,381	1,486	73,119	19,565	23,483	21,090	27,603	19,975	19,794	20,227	19,787	63,093
8,500	0,211	0,569	1,315	0,119	0,016	0,383	1,486	73,237	19,574	23,480	24,791	26,349	19,978	19,798	20,219	19,779	63,139
8,833	0,211	0,560	1,299	0,119	0,015	0,390	1,486	73,328	19,593	23,500	22,611	29,654	19,990	19,805	20,210	19,783	63,190
9,167	0,211	0,552	1,304	0,120	0,011	0,397	1,485	73,400	19,574	23,503	28,527	28,658	19,982	19,805	20,232	19,787	63,226
9,500	0,211	0,553	1,306	0,123	0,014	0,395	1,484	73,498	19,591	23,479	28,017	30,475	19,993	19,804	20,220	19,785	63,028
9,833	0,211	0,561	1,300	0,120	0,018	0,388	1,484	73,633	19,606	23,530	23,202	26,882	19,984	19,805	20,211	19,784	62,704
10,167	0,211	0,560	1,309	0,123	0,014	0,389	1,484	73,755	19,589	23,549	26,656	26,578	19,989	19,815	20,216	19,789	62,804
10,500	0,210	0,559	1,309	0,121	0,008	0,391	1,484	73,844	19,551	23,550	29,903	28,126	19,990	19,807	20,212	19,785	62,874
10,833	0,209	0,560	1,306	0,122	0,015	0,390	1,484	73,957	19,627	23,594	28,625	28,358	19,998	19,816	20,230	19,797	62,916
11,167	0,210	0,562	1,304	0,123	0,007	0,388	1,483	74,067	19,647	23,564	25,142	34,577	19,992	19,815	20,222	19,794	62,981

Pellematic 56_cat II_run 2_191212.Dat

Category: II

	1103	1108	1109	130	230	101	102	1	2	3	6	7	8	11	
Mättid	T3 inlet	T2 inlet	T1	Flow	Flow	Heat output	Heat output	CO	CO2	O2			Tunnel		
Minuter	load side	boiler	outlet	load	boiler	load side	boiler	chimney	chimney	chimney	Pstat	Pdyn	velocity	Våg	Tidpunkt
	°C	°C	°C	m³/h	m³/h	W	W	ppm	%	%	Pa	Pa	m/s	kg	Klockan
0,167	44,072	54,052	74,009	4,646	4,578	101279,191	104744,871	17,158	11,290	9,302	-0,404	0,023	0,196	968,476	2019-12-12 09:33
0,500	44,034	54,215	74,116	0,506	0,514	11125,916	11735,382	16,989	11,120	9,489	-0,403	0,015	0,159	968,476	2019-12-12 09:34
0,834	44,009	54,365	74,232	0,506	0,514	11156,740	11702,604	18,666	10,883	9,702	-0,405	0,024	0,201	968,476	2019-12-12 09:34
1,167	43,983	54,425	74,250	0,506	0,515	11196,218	11701,609	18,998	10,706	9,884	-0,405	0,023	0,198	968,476	2019-12-12 09:34
1,506	43,956	54,460	74,338	0,507	0,516	11000,294	11764,244	19,084	10,626	10,021	-0,407	0,017	0,170	968,350	2019-12-12 09:35
2,026	43,927	54,582	74,490	0,506	0,515	10998,703	11746,081	19,692	10,940	9,702	-0,406	0,024	0,202	968,350	2019-12-12 09:35
2,167	43,915	54,714	74,553	0,506	0,514	11036,643	11684,376	18,595	10,996	9,622	-0,405	0,019	0,179	968,350	2019-12-12 09:35
2,512	43,908	54,841	74,696	0,506	0,516	11098,688	11740,490	18,584	10,950	9,666	-0,409	0,021	0,185	968,350	2019-12-12 09:36
2,867	43,884	54,938	74,802	0,506	0,515	11149,114	11729,270	17,909	10,851	9,744	-0,406	0,017	0,168	968,256	2019-12-12 09:36
3,167	43,880	54,974	74,805	0,506	0,515	11172,739	11696,169	17,660	10,882	9,733	-0,398	0,029	0,221	968,162	2019-12-12 09:36
3,500	43,874	54,994	74,924	0,506	0,515	11188,758	11762,785	18,312	11,145	9,486	-0,396	2,681	2,114	968,162	2019-12-12 09:37
3,833	43,874	55,039	75,031	0,506	0,514	11242,873	11771,078	21,612	11,076	9,534	3,016	8,465	3,756	968,162	2019-12-12 09:37
4,167	43,867	55,066	75,190	0,506	0,514	11291,587	11861,956	22,195	10,880	9,712	4,783	26,184	6,606	968,163	2019-12-12 09:37
4,500	43,868	55,091	75,252	0,506	0,515	11305,915	11890,725	22,855	10,714	9,861	4,718	49,958	9,125	968,162	2019-12-12 09:38
4,833	43,870	55,128	75,329	0,506	0,515	11230,688	11918,219	23,962	10,416	10,204	4,640	52,053	9,314	968,069	2019-12-12 09:38
5,167	43,866	55,195	75,489	0,506	0,512	11072,618	11911,687	23,461	10,225	10,403	4,646	54,919	9,567	968,068	2019-12-12 09:38
5,500	43,860	55,356	75,631	0,505	0,515	11130,233	11958,285	24,969	10,041	10,593	4,733	102,776	13,088	968,069	2019-12-12 09:39
5,833	43,859	55,544	75,738	0,506	0,514	11203,986	11888,064	28,660	9,937	10,691	4,651	107,430	13,381	968,068	2019-12-12 09:39
6,167	43,867	55,653	75,852	0,505	0,513	11236,012	11884,479	30,002	9,692	10,919	4,713	108,087	13,422	968,068	2019-12-12 09:39
6,500	43,870	55,722	75,886	0,506	0,514	11277,164	11871,444	32,090	9,556	11,104	4,707	108,389	13,441	968,068	2019-12-12 09:40
6,834	43,884	55,778	75,961	0,505	0,512	11304,152	11848,464	31,168	9,628	11,069	4,742	108,360	13,439	967,976	2019-12-12 09:40
7,167	43,904	55,814	76,039	0,506	0,514	10989,809	11917,147	28,906	9,505	11,108	4,732	86,276	11,991	967,976	2019-12-12 09:40
7,500	43,926	55,984	76,098	0,506	0,514	11059,261	11853,106	29,913	9,201	11,429	4,796	55,789	9,643	967,851	2019-12-12 09:41
7,834	43,953	56,221	76,179	0,506	0,514	11087,687	11752,946	28,988	9,161	11,561	4,723	53,004	9,399	967,859	2019-12-12 09:41
8,167	43,969	56,344	76,255	0,506	0,514	11129,008	11717,006	29,245	9,271	11,429	4,838	51,962	9,306	967,851	2019-12-12 09:41
8,500	43,973	56,437	76,291	0,506	0,513	11152,162	11664,694	29,583	9,164	11,481	4,773	52,421	9,347	967,850	2019-12-12 09:42
8,833	43,979	56,486	76,417	0,506	0,513	11179,043	11712,837	31,847	8,923	11,713	4,752	52,164	9,324	967,851	2019-12-12 09:42
9,167	43,963	56,525	76,471	0,506	0,513	11213,224	11716,945	30,162	8,786	11,900	4,817	52,084	9,317	967,751	2019-12-12 09:42
9,500	43,949	56,549	76,535	0,506	0,513	11102,122	11742,809	31,994	8,860	11,848	4,935	52,285	9,335	967,765	2019-12-12 09:43
9,833	43,944	56,611	76,616	0,506	0,514	10926,925	11786,526	30,246	9,071	11,644	4,812	51,896	9,300	967,756	2019-12-12 09:43
10,167	43,956	56,832	76,649	0,506	0,514	10966,545	11671,555	29,071	8,974	11,683	4,902	52,330	9,339	967,756	2019-12-12 09:43
10,500	43,978	57,032	76,714	0,505	0,515	10990,660	11600,271	26,639	9,003	11,727	4,845	52,543	9,358	967,757	2019-12-12 09:44
10,833	44,023	57,124	76,727	0,506	0,515	11001,900	11559,720	25,889	9,016	11,694	4,885	52,146	9,323	967,756	2019-12-12 09:44
11,167	44,071	57,213	76,817	0,506	0,515	11009,141	11556,053	27,729	9,047	11,644	4,939	52,356	9,341	967,756	2019-12-12 09:44

Pellematic 56_cat II_run 2_191212.Dat

Category: II

	301	302	304	305	306	308	317	1311	1312	1313	1314	1315	1316	1317	1318	1101	1102
Mättid	CO chimney	CO2 chimney	Pdyn	Pstat	Static pressure chimney	O2 chimney	Våg	Flue gas temp	Ambient	Flue gas at pitot	filter temp 1	filter temp 2	gas meter temp 1	gas meter temp 2	gasmeter temp ambient		T4 outlet load side
Minuter	VDC	VDC	VDC	VDC	VDC	VDC	VDC	°C	°C	°C	°C	°C	°C	°C	°C	°C	°C
11,500	0,210	0,557	1,305	0,124	0,012	0,393	1,483	74,181	19,640	23,563	29,962	28,646	19,998	19,812	20,216	19,793	63,032
11,833	0,209	0,555	1,300	0,123	0,007	0,394	1,483	74,273	19,587	23,585	30,692	29,332	20,004	19,817	20,230	19,799	63,060
12,167	0,208	0,561	1,307	0,125	0,014	0,388	1,482	74,363	19,582	23,586	29,812	27,274	19,998	19,820	20,233	19,805	63,108
12,500	0,209	0,560	1,316	0,122	0,015	0,390	1,482	74,457	19,633	23,606	26,849	27,696	20,016	19,826	20,231	19,807	63,139
12,833	0,209	0,555	1,317	0,124	0,017	0,393	1,481	74,529	19,647	23,628	25,842	27,734	20,014	19,835	20,238	19,807	63,138
13,167	0,208	0,553	1,304	0,123	0,013	0,395	1,481	74,607	19,645	23,628	27,966	28,076	20,020	19,825	20,238	19,810	63,169
13,500	0,209	0,547	1,306	0,125	0,015	0,401	1,481	74,675	19,560	23,643	24,868	24,175	20,002	19,820	20,224	19,802	63,172
13,834	0,210	0,543	1,315	0,125	0,009	0,404	1,481	74,764	19,590	23,627	30,559	28,229	20,007	19,820	20,236	19,806	63,154
14,167	0,209	0,548	1,310	0,125	0,017	0,400	1,480	74,843	19,606	23,631	28,232	27,659	20,017	19,822	20,235	19,813	63,165
14,500	0,209	0,548	1,297	0,127	0,014	0,401	1,480	74,924	19,640	23,649	28,343	28,087	20,021	19,830	20,252	19,815	62,861
14,834	0,210	0,542	1,302	0,126	0,011	0,405	1,480	74,810	19,669	23,401	27,041	26,066	20,032	19,839	20,248	19,825	62,580
15,167	0,211	0,545	1,301	0,126	0,011	0,402	1,480	74,558	19,662	23,222	27,491	27,582	20,022	19,834	20,242	19,817	62,707
15,500	0,214	0,542	1,302	0,126	0,007	0,407	1,480	74,361	19,679	23,154	35,789	22,537	20,020	19,833	20,242	19,817	62,759
15,833	0,213	0,538	1,309	0,126	0,015	0,410	1,480	74,164	19,661	23,051	26,671	28,003	20,020	19,830	20,225	19,812	63,405
16,167	0,212	0,547	1,317	0,127	0,013	0,401	1,480	74,009	19,633	22,939	26,141	27,361	20,022	19,824	20,241	19,817	63,343
16,500	0,216	0,563	1,319	0,127	0,016	0,389	1,480	73,924	19,575	22,976	23,871	27,998	20,026	19,832	20,231	19,817	63,215
16,833	0,215	0,556	1,312	0,126	0,018	0,395	1,480	73,833	19,622	23,083	22,605	24,964	20,024	19,831	20,241	19,818	62,757
17,167	0,213	0,557	1,318	0,125	0,019	0,393	1,480	73,776	19,672	23,075	22,960	25,695	20,035	19,843	20,236	19,824	62,840
17,500	0,213	0,569	1,295	0,125	0,015	0,381	1,479	73,741	19,623	23,129	26,071	25,719	20,030	19,829	20,254	19,825	62,892
17,833	0,214	0,578	1,313	0,126	0,021	0,375	1,479	73,692	19,610	23,089	21,493	23,228	20,040	19,848	20,251	19,829	62,929
18,167	0,214	0,581	1,300	0,126	0,014	0,372	1,478	73,642	19,643	23,123	26,765	28,418	20,028	19,848	20,254	19,831	62,935
18,500	0,215	0,579	1,302	0,125	0,017	0,374	1,478	73,588	19,644	23,153	26,052	23,660	20,034	19,840	20,239	19,832	62,929
18,833	0,216	0,573	1,307	0,125	0,014	0,379	1,478	73,564	19,672	23,127	25,956	27,131	20,040	19,844	20,257	19,832	62,939
19,167	0,216	0,568	1,309	0,126	0,014	0,383	1,478	73,538	19,677	23,142	28,354	27,304	20,042	19,849	20,250	19,835	62,929
19,500	0,214	0,571	1,306	0,125	0,019	0,380	1,478	73,491	19,692	23,152	23,000	25,472	20,045	19,854	20,247	19,836	62,901
19,833	0,215	0,567	1,304	0,124	0,017	0,384	1,477	73,475	19,700	23,148	23,309	25,935	20,053	19,860	20,255	19,843	62,963
20,167	0,214	0,574	1,316	0,126	0,014	0,377	1,478	73,463	19,700	23,164	28,204	26,824	20,062	19,863	20,259	19,847	62,897
20,500	0,214	0,580	1,301	0,124	0,014	0,372	1,476	73,425	19,694	23,129	26,149	26,481	20,050	19,871	20,253	19,845	62,863
20,834	0,215	0,578	1,310	0,125	0,015	0,374	1,476	73,423	19,719	23,117	24,446	27,054	20,060	19,869	20,257	19,852	63,055
21,167	0,215	0,577	1,309	0,123	0,012	0,375	1,476	73,381	19,688	23,140	25,612	25,006	20,055	19,864	20,256	19,852	63,387
21,500	0,215	0,580	1,315	0,125	0,013	0,373	1,476	73,360	19,716	23,150	25,553	26,905	20,064	19,872	20,254	19,855	63,298
21,834	0,216	0,580	1,323	0,124	0,016	0,373	1,476	73,350	19,733	23,149	28,436	26,581	20,072	19,865	20,263	19,863	63,202
22,167	0,217	0,585	1,301	0,124	0,016	0,368	1,476	73,354	19,744	23,144	26,608	28,990	20,057	19,876	20,251	19,860	63,163
22,500	0,216	0,588	1,302	0,125	0,016	0,366	1,476	73,359	19,725	23,174	27,246	23,898	20,068	19,877	20,268	19,867	63,145
22,833	0,216	0,587	1,317	0,125	0,017	0,367	1,475	73,321	19,725	23,108	23,535	24,848	20,076	19,870	20,256	19,857	63,135
23,167	0,217	0,583	1,306	0,125	0,014	0,370	1,475	73,298	19,743	23,094	28,119	29,707	20,083	19,883	20,268	19,866	62,814
23,500	0,216	0,577	1,316	0,126	0,015	0,376	1,475	73,289	19,729	23,021	30,030	28,242	20,074	19,882	20,266	19,870	62,573

Pellematic 56_cat II_run 2_191212.Dat

Category: II

	1103	1108	1109	130	230	101	102	1	2	3	6	7	8	11	
Mättid	T3 inlet load side	T2 inlet boiler	T1 outlet boiler	Flow load side	Flow boiler side	Heat output load side	Heat output boiler	CO chimney	CO2 chimney	O2 chimney	Pstat	Pdyn	Tunnel velocity	Våg	Tidpunkt
Minuter	°C	°C	°C	m³/h	m³/h	W	W	ppm	%	%	Pa	Pa	m/s	kg	Klockan
11,500	44,115	57,270	76,848	0,505	0,514	11001,281	11521,711	27,730	8,890	11,789	4,976	52,147	9,323	967,662	2019-12-12 09:45
11,833	44,137	57,303	76,916	0,506	0,514	11014,891	11536,814	24,870	8,918	11,818	4,928	52,138	9,322	967,663	2019-12-12 09:45
12,167	44,137	57,355	76,945	0,506	0,514	11045,976	11538,650	23,434	9,054	11,631	5,009	52,354	9,341	967,663	2019-12-12 09:45
12,500	44,117	57,395	76,983	0,506	0,514	11071,217	11539,933	25,634	8,957	11,703	4,871	52,615	9,364	967,662	2019-12-12 09:46
12,833	44,070	57,432	77,041	0,506	0,515	11106,324	11552,875	23,867	8,867	11,802	4,941	52,513	9,355	967,569	2019-12-12 09:46
13,167	44,018	57,467	77,130	0,505	0,514	11135,248	11579,567	24,959	8,822	11,865	4,932	52,070	9,316	967,569	2019-12-12 09:46
13,500	43,960	57,477	77,136	0,506	0,514	11181,624	11561,187	25,882	8,623	12,039	4,988	52,455	9,350	967,569	2019-12-12 09:47
13,834	43,908	57,469	77,225	0,506	0,513	11203,551	11611,630	26,887	8,618	12,129	4,983	52,627	9,365	967,569	2019-12-12 09:47
14,167	43,865	57,453	77,278	0,505	0,514	11222,582	11659,579	24,623	8,705	11,991	5,012	52,575	9,361	967,569	2019-12-12 09:47
14,500	43,835	57,457	77,254	0,506	0,514	11070,113	11647,549	26,642	8,667	12,018	5,069	51,968	9,307	967,477	2019-12-12 09:48
14,834	43,817	57,492	77,323	0,506	0,514	10919,329	11663,842	26,970	8,521	12,159	5,025	52,226	9,330	967,477	2019-12-12 09:48
15,167	43,820	57,692	77,337	0,506	0,514	10999,635	11571,624	34,026	8,709	12,057	5,053	51,950	9,305	967,478	2019-12-12 09:48
15,500	43,847	57,823	77,388	0,506	0,515	11009,117	11526,504	39,315	8,484	12,197	5,023	52,130	9,321	967,477	2019-12-12 09:49
15,833	43,887	57,890	77,364	0,505	0,515	11351,688	11476,769	35,060	8,477	12,302	5,031	52,327	9,339	967,477	2019-12-12 09:49
16,167	43,942	57,792	77,397	0,506	0,514	11298,658	11530,158	34,111	8,835	12,024	5,089	52,878	9,388	967,477	2019-12-12 09:49
16,500	44,005	57,640	77,392	0,506	0,515	11191,552	11650,379	45,450	9,067	11,665	5,069	52,694	9,371	967,477	2019-12-12 09:50
16,833	44,071	57,632	77,388	0,506	0,514	10885,097	11632,877	38,850	8,833	11,864	5,030	52,642	9,367	967,477	2019-12-12 09:50
17,167	44,135	57,827	77,379	0,506	0,515	10886,272	11518,421	35,453	9,006	11,783	5,011	52,651	9,368	967,478	2019-12-12 09:50
17,500	44,193	58,035	77,387	0,506	0,514	10891,743	11389,387	37,221	9,322	11,437	5,007	51,669	9,280	967,349	2019-12-12 09:51
17,833	44,238	58,150	77,358	0,506	0,514	10886,668	11300,503	37,664	9,464	11,235	5,023	52,480	9,352	967,478	2019-12-12 09:51
18,167	44,271	58,208	77,362	0,506	0,514	10859,150	11259,415	38,176	9,519	11,160	5,023	52,099	9,318	967,349	2019-12-12 09:51
18,500	44,287	58,246	77,318	0,506	0,514	10852,565	11218,024	40,998	9,440	11,216	4,991	52,304	9,337	967,350	2019-12-12 09:52
18,833	44,287	58,272	77,299	0,506	0,514	10861,433	11186,115	42,919	9,286	11,384	4,991	52,228	9,330	967,349	2019-12-12 09:52
19,167	44,268	58,285	77,298	0,507	0,513	10876,437	11173,605	41,385	9,208	11,482	5,057	52,560	9,359	967,350	2019-12-12 09:52
19,500	44,234	58,281	77,230	0,506	0,514	10857,411	11143,925	38,398	9,268	11,386	4,997	51,982	9,308	967,349	2019-12-12 09:53
19,833	44,183	58,283	77,173	0,506	0,514	10923,445	11106,041	40,146	9,165	11,511	4,970	52,101	9,319	967,349	2019-12-12 09:53
20,167	44,120	58,244	77,150	0,506	0,513	10925,527	11111,498	38,388	9,440	11,300	5,052	52,530	9,357	967,349	2019-12-12 09:53
20,500	44,070	58,189	77,118	0,506	0,511	10948,569	11069,235	39,311	9,498	11,162	4,956	51,963	9,306	967,254	2019-12-12 09:54
20,834	44,023	58,102	77,082	0,506	0,513	11075,287	11138,618	40,579	9,446	11,218	5,015	52,405	9,346	967,254	2019-12-12 09:54
21,167	43,978	58,046	77,031	0,506	0,512	11303,984	11132,194	39,817	9,475	11,240	4,921	52,530	9,357	967,254	2019-12-12 09:54
21,500	43,945	57,814	77,012	0,506	0,512	11265,368	11248,857	42,876	9,498	11,183	5,014	52,788	9,380	967,255	2019-12-12 09:55
21,834	43,930	57,608	76,959	0,506	0,513	11222,441	11362,866	43,765	9,506	11,185	4,976	52,733	9,375	967,255	2019-12-12 09:55
22,167	43,930	57,514	76,953	0,506	0,512	11192,840	11391,739	44,098	9,680	11,034	4,972	51,868	9,298	967,255	2019-12-12 09:55
22,500	43,949	57,469	76,962	0,506	0,512	11180,958	11431,682	43,767	9,693	10,974	4,981	52,201	9,327	967,255	2019-12-12 09:56
22,833	43,984	57,436	76,914	0,506	0,511	11151,712	11401,952	43,178	9,654	11,013	5,011	52,714	9,373	967,160	2019-12-12 09:56
23,167	44,028	57,420	76,959	0,505	0,510	10923,798	11417,618	46,535	9,525	11,111	5,010	52,037	9,313	967,161	2019-12-12 09:56
23,500	44,074	57,441	76,955	0,506	0,511	10767,322	11416,401	41,251	9,380	11,275	5,029	53,211	9,417	967,255	2019-12-12 09:57

Pellematic 56_cat II_run 2_191212.Dat

Category: II

	301	302	304	305	306	308	317	1311	1312	1313	1314	1315	1316	1317	1318	1101	1102
Mättid	CO chimney	CO2 chimney	Pdyn	Pstat	Static pressure chimney	O2 chimney	Våg	Flue gas temp	Ambient	Flue gas at pitot	filter temp 1	filter temp 2	gas meter temp 1	gas meter temp 2	gasmeter temp ambient		T4 outlet load side
Minuter	VDC	VDC	VDC	VDC	VDC	VDC	VDC	°C	°C	°C	°C	°C	°C	°C	°C	°C	°C
23,833	0,217	0,588	1,319	0,126	0,017	0,366	1,474	73,283	19,734	23,025	24,605	25,027	20,068	19,868	20,249	19,862	62,658
24,167	0,217	0,579	1,316	0,124	0,018	0,376	1,475	73,232	19,726	23,104	25,549	27,248	20,065	19,872	20,269	19,862	63,155
24,500	0,215	0,568	1,311	0,125	0,016	0,383	1,475	73,169	19,675	23,105	23,734	24,258	20,069	19,888	20,252	19,864	63,243
24,833	0,215	0,570	1,317	0,125	0,015	0,381	1,475	73,118	19,680	23,109	26,656	27,702	20,061	19,878	20,268	19,870	63,207
25,167	0,216	0,569	1,312	0,125	0,014	0,382	1,475	73,100	19,672	23,146	25,991	26,612	20,078	19,872	20,256	19,870	63,119
25,500	0,216	0,570	1,305	0,126	0,012	0,380	1,474	73,103	19,666	23,174	26,575	25,865	20,068	19,876	20,258	19,870	63,097
25,833	0,215	0,573	1,320	0,125	0,012	0,377	1,474	73,097	19,700	23,135	26,994	29,382	20,078	19,888	20,273	19,880	63,071
26,167	0,216	0,573	1,323	0,124	0,019	0,378	1,474	73,081	19,696	23,111	22,400	21,429	20,071	19,892	20,268	19,879	63,082
26,500	0,218	0,576	1,326	0,125	0,018	0,375	1,473	73,069	19,687	23,111	22,204	28,873	20,079	19,894	20,268	19,882	63,049
26,834	0,217	0,586	1,316	0,125	0,010	0,366	1,473	73,084	19,697	23,108	35,035	40,110	20,089	19,897	20,262	19,884	62,712
27,167	0,218	0,592	1,310	0,125	0,012	0,362	1,473	73,105	19,683	23,117	28,035	32,729	20,077	19,899	20,253	19,882	62,459
27,500	0,218	0,593	1,306	0,124	0,007	0,361	1,473	73,076	19,656	23,160	26,891	30,039	20,082	19,900	20,267	19,884	62,831
27,834	0,219	0,594	1,308	0,124	0,021	0,360	1,472	73,092	19,687	23,154	24,148	40,513	20,086	19,889	20,263	19,888	63,100
28,167	0,217	0,589	1,312	0,125	0,016	0,365	1,472	73,091	19,687	23,169	27,337	25,901	20,093	19,904	20,275	19,893	63,029
28,500	0,215	0,588	1,308	0,123	0,018	0,365	1,472	73,053	19,700	23,189	-61,617	14,002	20,087	19,906	20,267	19,896	62,999
28,834	0,217	0,600	1,316	0,123	0,015	0,354	1,472	73,051	19,705	23,185	24,689	28,116	20,085	19,904	20,269	19,894	62,973
29,167	0,218	0,613	1,306	0,123	0,013	0,344	1,472	73,072	19,709	23,207	24,876	25,861	20,082	19,902	20,263	19,892	62,961
29,500	0,219	0,614	1,312	0,124	0,009	0,343	1,472	73,072	19,741	23,180	26,690	29,125	20,097	19,909	20,268	19,896	62,935
29,833	0,218	0,614	1,313	0,124	0,013	0,343	1,472	73,078	19,791	23,160	29,962	28,299	20,093	19,913	20,258	19,901	62,939
30,167	0,218	0,612	1,304	0,125	0,017	0,345	1,472	73,078	19,825	23,163	26,298	27,965	20,104	19,903	20,277	19,904	62,913
30,500	0,217	0,601	1,312	0,125	0,019	0,355	1,472	73,099	19,813	23,131	23,719	26,086	20,082	19,908	20,266	19,896	62,892
30,833	0,216	0,595	1,322	0,126	0,015	0,360	1,470	73,097	19,806	23,151	26,913	25,097	20,091	19,904	20,268	19,898	62,884
31,167	0,215	0,598	1,324	0,124	0,012	0,357	1,470	73,074	19,859	23,112	29,321	27,881	20,087	19,900	20,264	19,896	62,877
31,500	0,216	0,599	1,315	0,124	0,014	0,355	1,471	73,109	19,880	23,096	24,199	27,032	20,097	19,903	20,266	19,901	62,867
31,833	0,217	0,607	1,303	0,124	0,019	0,348	1,470	73,115	19,863	23,083	24,122	23,991	20,095	19,915	20,270	19,906	62,910
32,167	0,218	0,611	1,304	0,125	0,015	0,344	1,470	73,090	19,823	23,112	24,060	24,169	20,091	19,914	20,262	19,905	62,914
32,500	0,218	0,607	1,317	0,125	0,016	0,348	1,469	73,061	19,854	23,107	24,084	26,310	20,109	19,920	20,277	19,912	62,906
32,833	0,218	0,604	1,308	0,125	0,017	0,351	1,468	73,051	19,854	23,088	24,583	28,644	20,103	19,923	20,272	19,914	62,884
33,167	0,216	0,599	1,310	0,124	0,015	0,355	1,468	73,020	19,860	23,137	24,143	22,206	20,102	19,916	20,270	19,914	62,886
33,500	0,216	0,596	1,311	0,122	0,018	0,358	1,468	73,051	19,860	23,155	26,232	26,859	20,108	19,926	20,276	19,916	62,866
33,834	0,215	0,596	1,307	0,122	0,021	0,358	1,468	73,075	19,862	23,162	20,443	23,139	20,109	19,919	20,274	19,918	63,463
34,167	0,215	0,605	1,324	0,123	0,015	0,351	1,468	73,083	19,869	23,128	23,228	22,378	20,113	19,924	20,275	19,923	63,313
34,500	0,215	0,600	1,313	0,123	0,010	0,356	1,468	73,099	19,879	23,159	27,518	27,990	20,123	19,933	20,287	19,932	63,278
34,834	0,216	0,590	1,299	0,123	0,020	0,364	1,467	73,106	19,877	23,149	24,109	25,935	20,117	19,929	20,284	19,928	63,268
35,167	0,217	0,590	1,315	0,124	0,015	0,363	1,467	73,116	19,889	23,139	24,840	25,189	20,129	19,930	20,283	19,935	62,680
35,500	0,217	0,589	1,319	0,122	0,016	0,365	1,467	73,088	19,880	23,165	24,340	24,999	20,123	19,927	20,288	19,935	62,689
35,834	0,215	0,585	1,301	0,124	0,014	0,368	1,467	73,086	19,860	23,183	24,630	26,442	20,136	19,942	20,294	19,941	62,847

Pellematic 56_cat II_run 2_191212.Dat

Category: II

	1103	1108	1109	130	230	101	102	1	2	3	6	7	8	11	
Mättid	T3 inlet load side	T2 inlet boiler	T1 outlet boiler	Flow load side	Flow boiler side	Heat output load side	Heat output boiler	CO chimney	CO2 chimney	O2 chimney	Pstat	Pdyn	Tunnel velocity	Våg	Tidpunkt
Minuter	°C	°C	°C	m³/h	m³/h	W	W	ppm	%	%	Pa	Pa	m/s	kg	Klockan
23,833	44,105	57,651	76,921	0,506	0,511	10811,041	11269,774	47,875	9,736	10,985	5,035	52,360	9,342	967,161	2019-12-12 09:57
24,167	44,141	57,757	76,959	0,506	0,509	11073,370	11191,698	44,868	9,393	11,268	4,968	52,591	9,362	967,161	2019-12-12 09:57
24,500	44,159	57,713	76,876	0,506	0,511	11105,570	11208,253	41,249	9,204	11,503	5,018	52,154	9,323	967,161	2019-12-12 09:58
24,833	44,167	57,545	76,752	0,506	0,510	11095,212	11215,605	41,414	9,264	11,426	5,011	52,530	9,357	967,161	2019-12-12 09:58
25,167	44,165	57,440	76,814	0,506	0,510	11040,266	11312,350	43,524	9,225	11,471	4,980	52,234	9,330	967,161	2019-12-12 09:58
25,500	44,153	57,402	76,762	0,506	0,510	11035,788	11299,923	41,839	9,271	11,412	5,027	52,343	9,340	967,066	2019-12-12 09:59
25,833	44,141	57,393	76,760	0,505	0,511	11004,361	11327,594	40,911	9,353	11,310	4,997	52,520	9,356	967,161	2019-12-12 09:59
26,167	44,127	57,405	76,748	0,505	0,510	11022,155	11293,925	44,933	9,326	11,332	4,958	53,014	9,400	967,067	2019-12-12 09:59
26,500	44,112	57,400	76,702	0,506	0,509	11027,449	11248,777	47,030	9,429	11,252	4,984	53,533	9,446	967,067	2019-12-12 10:00
26,834	44,101	57,365	76,667	0,506	0,509	10836,903	11254,182	46,199	9,729	10,985	5,003	52,606	9,364	967,067	2019-12-12 10:00
27,167	44,096	57,370	76,698	0,506	0,510	10680,925	11277,191	47,775	9,801	10,848	4,992	52,492	9,353	967,067	2019-12-12 10:00
27,500	44,085	57,553	76,644	0,505	0,510	10896,873	11150,476	49,718	9,848	10,838	4,976	51,986	9,308	967,066	2019-12-12 10:01
27,834	44,080	57,610	76,562	0,506	0,510	11064,451	11066,805	49,551	9,848	10,805	4,965	52,377	9,343	966,974	2019-12-12 10:01
28,167	44,076	57,434	76,577	0,505	0,509	11018,037	11151,932	43,519	9,682	10,947	4,990	52,552	9,359	967,066	2019-12-12 10:01
28,500	44,070	57,312	76,519	0,506	0,509	11019,791	11198,951	42,171	9,740	10,939	4,927	52,322	9,338	966,976	2019-12-12 10:02
28,834	44,068	57,247	76,510	0,506	0,510	11005,026	11251,005	47,601	10,116	10,617	4,937	52,562	9,360	966,975	2019-12-12 10:02
29,167	44,066	57,215	76,480	0,506	0,509	11002,731	11231,388	48,538	10,372	10,307	4,935	52,253	9,332	966,975	2019-12-12 10:02
29,500	44,067	57,193	76,422	0,506	0,510	10981,460	11220,131	51,565	10,325	10,303	4,968	52,491	9,353	966,975	2019-12-12 10:03
29,833	44,067	57,172	76,440	0,506	0,509	10982,045	11239,861	47,960	10,363	10,296	4,974	52,290	9,335	966,974	2019-12-12 10:03
30,167	44,068	57,173	76,427	0,506	0,508	10965,028	11206,838	48,498	10,290	10,350	4,987	52,066	9,315	966,975	2019-12-12 10:03
30,500	44,064	57,140	76,387	0,506	0,509	10956,376	11210,338	43,590	9,915	10,664	5,008	52,224	9,330	966,974	2019-12-12 10:04
30,833	44,058	57,119	76,365	0,505	0,509	10941,798	11210,929	42,252	9,872	10,803	5,026	52,843	9,385	966,849	2019-12-12 10:04
31,167	44,051	57,108	76,429	0,505	0,509	10948,653	11269,397	41,417	9,965	10,698	4,972	52,965	9,395	966,848	2019-12-12 10:04
31,500	44,050	57,115	76,376	0,506	0,509	10953,138	11230,782	44,188	9,981	10,653	4,972	52,133	9,321	966,848	2019-12-12 10:05
31,833	44,050	57,117	76,395	0,505	0,509	10966,269	11239,366	46,792	10,250	10,446	4,979	52,182	9,326	966,848	2019-12-12 10:05
32,167	44,053	57,096	76,369	0,505	0,509	10966,615	11242,397	48,428	10,253	10,330	5,000	51,947	9,305	966,848	2019-12-12 10:05
32,500	44,055	57,082	76,386	0,505	0,510	10961,436	11268,652	49,384	10,156	10,429	4,992	53,017	9,400	966,848	2019-12-12 10:06
32,833	44,054	57,077	76,334	0,505	0,509	10947,956	11230,939	45,861	10,077	10,521	4,991	52,177	9,325	966,754	2019-12-12 10:06
33,167	44,048	57,064	76,331	0,505	0,510	10957,450	11247,658	42,501	9,958	10,652	4,944	52,398	9,345	966,754	2019-12-12 10:06
33,500	44,052	57,060	76,326	0,505	0,510	10940,094	11241,803	41,831	9,877	10,750	4,891	52,235	9,331	966,754	2019-12-12 10:07
33,834	44,052	57,046	76,311	0,506	0,509	11294,535	11238,867	38,803	9,985	10,726	4,892	52,460	9,351	966,754	2019-12-12 10:07
34,167	44,055	56,891	76,294	0,505	0,509	11194,772	11309,257	40,402	10,115	10,530	4,934	53,066	9,404	966,754	2019-12-12 10:07
34,500	44,066	56,720	76,297	0,505	0,509	11169,567	11424,780	41,578	9,925	10,673	4,931	52,267	9,333	966,754	2019-12-12 10:08
34,834	44,082	56,668	76,294	0,506	0,509	11162,269	11435,090	43,758	9,700	10,933	4,903	51,808	9,292	966,660	2019-12-12 10:08
35,167	44,096	56,654	76,242	0,506	0,510	10810,555	11435,068	45,093	9,752	10,902	4,957	52,734	9,375	966,660	2019-12-12 10:08
35,500	44,117	56,749	76,219	0,505	0,509	10800,917	11356,788	45,102	9,712	10,938	4,891	52,613	9,364	966,659	2019-12-12 10:09
35,834	44,129	56,947	76,225	0,505	0,509	10866,919	11237,401	40,240	9,592	11,044	4,966	51,913	9,302	966,753	2019-12-12 10:09

Pellematic 56_cat II_run 2_191212.Dat

Category: II

	301	302	304	305	306	308	317	1311	1312	1313	1314	1315	1316	1317	1318	1101	1102
Mättid	CO chimney	CO2 chimney	Pdyn	Pstat	Static pressure chimney	O2 chimney	Våg	Flue gas temp	Ambient	Flue gas at pitot	filter temp 1	filter temp 2	gas meter temp 1	gas meter temp 2	gasmeter temp ambient		T4 outlet load side
Minuter	VDC	VDC	VDC	VDC	VDC	VDC	VDC	°C	°C	°C	°C	°C	°C	°C	°C	°C	°C
36,167	0,214	0,584	1,307	0,124	0,016	0,369	1,467	73,084	19,865	23,203	24,497	26,951	20,127	19,931	20,281	19,937	62,822
36,500	0,215	0,583	1,305	0,124	0,012	0,370	1,467	73,093	19,875	23,191	28,129	28,888	20,127	19,943	20,288	19,943	62,818
36,833	0,218	0,585	1,314	0,124	0,015	0,367	1,467	73,095	19,874	23,171	27,394	27,977	20,128	19,949	20,286	19,943	62,814
37,167	0,218	0,584	1,320	0,125	0,012	0,369	1,467	73,063	19,856	23,211	26,948	25,900	20,131	19,943	20,291	19,948	63,394
37,500	0,217	0,585	1,315	0,124	0,017	0,367	1,467	73,078	19,849	23,169	27,056	26,466	20,144	19,958	20,297	19,954	63,343
37,833	0,217	0,587	1,308	0,125	0,015	0,366	1,465	73,119	19,846	23,181	26,960	25,842	20,145	19,960	20,301	19,959	63,227
38,167	0,217	0,594	1,312	0,125	0,017	0,359	1,465	73,104	19,870	23,176	25,463	27,582	20,151	19,955	20,294	19,958	63,206
38,500	0,217	0,605	1,309	0,124	0,016	0,349	1,465	73,133	19,879	23,164	21,796	23,614	20,156	19,948	20,302	19,962	63,190
38,833	0,218	0,604	1,316	0,124	0,015	0,351	1,465	73,114	19,860	23,169	26,100	25,932	20,135	19,961	20,282	19,951	63,174
39,167	0,218	0,597	1,307	0,125	0,014	0,358	1,465	73,129	19,867	23,192	27,817	29,477	20,135	19,966	20,290	19,957	62,563
39,500	0,218	0,597	1,317	0,123	0,020	0,358	1,465	73,122	19,875	23,194	24,747	26,546	20,137	19,955	20,288	19,955	62,629
39,833	0,218	0,602	1,312	0,122	0,014	0,353	1,464	73,105	19,892	23,158	23,344	23,152	20,145	19,956	20,288	19,957	62,692
40,167	0,218	0,603	1,309	0,125	0,013	0,352	1,464	73,119	19,881	23,188	24,655	24,886	20,138	19,955	20,294	19,959	62,692
40,500	0,218	0,606	1,305	0,124	0,015	0,349	1,464	73,094	19,870	23,184	26,324	26,147	20,136	19,960	20,293	19,963	63,270
40,834	0,218	0,608	1,301	0,122	0,013	0,348	1,465	73,107	19,888	23,180	28,538	30,975	20,144	19,962	20,296	19,967	63,194
41,167	0,218	0,600	1,299	0,123	0,012	0,356	1,464	73,125	19,903	23,170	26,602	26,161	20,144	19,966	20,289	19,970	63,149
41,500	0,217	0,593	1,292	0,125	0,013	0,361	1,464	73,143	19,879	23,182	28,949	28,260	20,159	19,956	20,300	19,970	63,133
41,834	0,218	0,598	1,303	0,125	0,017	0,356	1,464	73,157	19,901	23,225	25,858	26,502	20,153	19,976	20,300	19,974	63,133
42,167	0,218	0,597	1,305	0,125	0,014	0,357	1,462	73,141	19,906	23,216	26,873	28,761	20,142	19,969	20,298	19,975	63,085
42,500	0,218	0,602	1,316	0,124	0,013	0,353	1,462	73,150	19,904	23,225	27,365	27,253	20,156	19,985	20,306	19,981	63,067
42,833	0,219	0,602	1,308	0,122	0,016	0,353	1,462	73,158	19,917	23,234	28,220	30,865	20,154	19,978	20,299	19,981	63,059
43,167	0,218	0,596	1,313	0,123	0,016	0,360	1,462	73,143	19,918	23,244	25,178	25,183	20,154	19,973	20,299	19,979	63,055
43,500	0,217	0,589	1,297	0,124	0,011	0,364	1,462	73,165	19,927	23,282	25,979	26,062	20,153	19,974	20,301	19,983	63,061
43,833	0,217	0,596	1,312	0,124	0,012	0,358	1,462	73,168	19,916	23,265	30,914	33,384	20,155	19,973	20,308	19,981	63,070
44,167	0,217	0,601	1,308	0,124	0,013	0,354	1,462	73,181	19,917	23,235	28,315	27,091	20,156	19,975	20,304	19,981	63,049
44,500	0,217	0,604	1,318	0,124	0,020	0,351	1,462	73,181	19,934	23,233	23,360	25,662	20,160	19,975	20,306	19,987	63,033
44,833	0,216	0,607	1,319	0,123	0,014	0,349	1,460	73,174	19,924	23,227	27,192	26,452	20,164	19,990	20,292	19,989	63,037
45,167	0,217	0,604	1,312	0,124	0,014	0,353	1,460	73,188	19,936	23,204	27,938	26,009	20,167	19,981	20,295	19,991	63,041
45,500	0,218	0,601	1,311	0,124	0,012	0,355	1,460	73,194	19,920	23,260	25,783	25,001	20,171	19,998	20,305	19,995	63,022
45,833	0,220	0,605	1,327	0,125	0,010	0,350	1,460	73,200	19,919	23,250	26,050	30,258	20,172	19,987	20,302	19,999	63,020
46,167	0,221	0,608	1,326	0,125	0,015	0,348	1,461	73,209	19,914	23,258	22,977	19,643	20,170	19,993	20,307	19,996	63,014
46,500	0,220	0,601	1,305	0,123	0,021	0,354	1,460	73,221	19,902	23,249	21,813	24,877	20,179	19,999	20,303	20,000	63,005
46,833	0,219	0,599	1,307	0,124	0,023	0,355	1,460	73,235	19,933	23,253	20,234	23,014	20,180	19,997	20,306	20,003	62,994
47,167	0,219	0,607	1,313	0,123	0,021	0,348	1,459	73,242	19,943	23,229	21,128	24,046	20,191	20,003	20,317	20,011	62,980
47,500	0,219	0,609	1,309	0,122	0,015	0,347	1,459	73,218	19,931	23,256	25,288	26,326	20,178	19,989	20,313	20,006	62,969
47,834	0,218	0,609	1,294	0,124	0,017	0,346	1,459	73,247	19,946	23,253	23,661	22,972	20,183	19,990	20,306	20,008	62,963
48,167	0,218	0,616	1,304	0,122	0,014	0,341	1,459	73,241	19,923	23,274	25,959	27,065	20,188	20,003	20,312	20,012	62,952

Pellematic 56_cat II_run 2_191212.Dat

Category: II

	1103	1108	1109	130	230	101	102	1	2	3	6	7	8	11	
Mättid	T3 inlet load side	T2 inlet boiler	T1 outlet boiler	Flow load side	Flow boiler side	Heat output load side	Heat output boiler	CO chimney	CO2 chimney	O2 chimney	Pstat	Pdyn	Tunnel velocity	Våg	Tidpunkt
Minuter	°C	°C	°C	m³/h	m³/h	W	W	ppm	%	%	Pa	Pa	m/s	kg	Klockan
36,167	44,141	57,025	76,219	0,504	0,509	10843,684	11183,071	38,561	9,617	11,057	4,944	52,575	9,361	966,659	2019-12-12 10:09
36,500	44,145	57,044	76,195	0,505	0,510	10854,597	11183,915	42,237	9,547	11,094	4,947	51,946	9,305	966,660	2019-12-12 10:10
36,833	44,149	57,064	76,186	0,505	0,509	10838,798	11142,788	50,887	9,654	11,019	4,975	52,457	9,350	966,660	2019-12-12 10:10
37,167	44,146	57,058	76,163	0,505	0,509	11179,236	11131,033	47,701	9,580	11,060	4,983	52,839	9,384	966,659	2019-12-12 10:10
37,500	44,144	56,940	76,151	0,505	0,509	11149,722	11207,345	46,524	9,658	11,014	4,964	52,402	9,345	966,659	2019-12-12 10:11
37,833	44,136	56,770	76,119	0,505	0,509	11089,680	11276,232	45,022	9,700	10,982	4,999	52,382	9,344	966,566	2019-12-12 10:11
38,167	44,123	56,683	76,111	0,505	0,509	11085,847	11329,217	46,448	9,945	10,780	4,989	52,516	9,356	966,566	2019-12-12 10:11
38,500	44,108	56,650	76,115	0,505	0,509	11092,293	11337,391	46,690	10,163	10,475	4,978	52,116	9,320	966,566	2019-12-12 10:12
38,833	44,096	56,631	76,051	0,505	0,509	11080,962	11316,723	47,699	10,062	10,541	4,972	52,649	9,367	966,566	2019-12-12 10:12
39,167	44,093	56,609	76,044	0,505	0,510	10726,683	11349,704	50,721	9,871	10,744	4,982	52,384	9,344	966,566	2019-12-12 10:12
39,500	44,084	56,753	76,017	0,505	0,508	10781,590	11215,172	46,788	9,937	10,727	4,928	52,827	9,383	966,566	2019-12-12 10:13
39,833	44,076	56,894	76,017	0,505	0,508	10813,818	11135,666	47,954	10,058	10,580	4,893	52,715	9,373	966,565	2019-12-12 10:13
40,167	44,068	56,929	75,973	0,505	0,510	10817,846	11116,784	49,215	10,104	10,560	5,012	52,218	9,329	966,474	2019-12-12 10:13
40,500	44,068	56,956	75,974	0,505	0,508	11147,388	11071,500	46,774	10,171	10,470	4,971	52,234	9,330	966,474	2019-12-12 10:14
40,834	44,062	56,821	75,965	0,505	0,508	11120,604	11148,043	48,966	10,177	10,452	4,898	51,924	9,303	966,566	2019-12-12 10:14
41,167	44,059	56,633	75,955	0,505	0,509	11082,515	11257,094	47,701	9,906	10,676	4,921	51,845	9,296	966,474	2019-12-12 10:14
41,500	44,061	56,545	75,959	0,505	0,508	11078,645	11301,746	46,524	9,862	10,816	4,982	51,775	9,289	966,475	2019-12-12 10:15
41,834	44,070	56,498	75,926	0,505	0,509	11078,965	11319,470	49,049	9,970	10,695	5,002	52,064	9,315	966,474	2019-12-12 10:15
42,167	44,079	56,470	75,926	0,505	0,509	11041,596	11343,510	47,787	9,937	10,715	4,982	52,174	9,325	966,348	2019-12-12 10:15
42,500	44,089	56,480	75,910	0,505	0,509	11025,863	11331,633	48,460	10,095	10,575	4,973	52,764	9,378	966,349	2019-12-12 10:16
42,833	44,104	56,505	75,907	0,505	0,509	11010,500	11310,119	52,153	9,997	10,598	4,872	52,456	9,350	966,348	2019-12-12 10:16
43,167	44,111	56,519	75,916	0,505	0,509	11007,815	11307,465	48,032	9,822	10,790	4,922	52,472	9,352	966,348	2019-12-12 10:16
43,500	44,111	56,521	75,874	0,505	0,510	11018,768	11302,784	45,355	9,744	10,919	4,958	51,804	9,292	966,348	2019-12-12 10:17
43,833	44,121	56,525	75,890	0,505	0,510	11016,976	11319,632	45,690	9,954	10,728	4,973	52,451	9,350	966,289	2019-12-12 10:17
44,167	44,129	56,533	75,853	0,505	0,509	10986,704	11255,699	46,434	10,040	10,614	4,960	52,216	9,329	966,347	2019-12-12 10:17
44,500	44,129	56,521	75,866	0,505	0,508	10985,428	11262,706	44,428	10,124	10,543	4,953	52,707	9,373	966,348	2019-12-12 10:18
44,833	44,136	56,509	75,812	0,505	0,509	10983,999	11258,169	43,928	10,164	10,473	4,934	52,793	9,380	966,253	2019-12-12 10:18
45,167	44,138	56,518	75,843	0,505	0,509	10991,639	11266,157	46,938	10,055	10,578	4,952	52,416	9,347	966,254	2019-12-12 10:18
45,500	44,141	56,512	75,820	0,505	0,508	10968,457	11241,309	48,542	10,026	10,639	4,954	52,496	9,354	966,253	2019-12-12 10:19
45,833	44,143	56,498	75,788	0,505	0,508	10967,709	11232,533	54,841	10,184	10,502	4,991	53,127	9,410	966,253	2019-12-12 10:19
46,167	44,143	56,492	75,797	0,504	0,508	10952,316	11233,383	54,420	10,171	10,434	4,994	53,298	9,425	966,348	2019-12-12 10:19
46,500	44,135	56,483	75,791	0,505	0,509	10963,300	11267,963	51,563	9,986	10,629	4,926	52,234	9,330	966,253	2019-12-12 10:20
46,833	44,131	56,498	75,772	0,505	0,508	10968,209	11223,348	50,479	10,005	10,654	4,943	52,340	9,340	966,257	2019-12-12 10:20
47,167	44,128	56,487	75,799	0,505	0,508	10952,517	11248,731	52,739	10,222	10,445	4,926	52,589	9,362	966,159	2019-12-12 10:20
47,500	44,122	56,475	75,743	0,506	0,509	10965,089	11227,136	51,247	10,193	10,411	4,898	52,224	9,330	966,159	2019-12-12 10:21
47,834	44,118	56,470	75,736	0,505	0,508	10960,268	11209,696	48,217	10,279	10,389	4,944	51,818	9,293	966,239	2019-12-12 10:21
48,167	44,107	56,454	75,766	0,505	0,508	10961,225	11227,614	48,457	10,436	10,224	4,876	52,151	9,323	966,159	2019-12-12 10:21

Pellematic 56_cat II_run 2_191212.Dat

Category: II

	301	302	304	305	306	308	317	1311	1312	1313	1314	1315	1316	1317	1318	1101	1102
Mättid	CO chimney	CO2 chimney	Pdyn	Pstat	Static pressure chimney	O2 chimney	Våg	Flue gas temp	Ambient	Flue gas at pitot	filter temp 1	filter temp 2	gas meter temp 1	gas meter temp 2	gasmeter temp ambient		T4 outlet load side
Minuter	VDC	VDC	VDC	VDC	VDC	VDC	VDC	°C	°C	°C	°C	°C	°C	°C	°C	°C	°C
48,500	0,219	0,619	1,296	0,123	0,013	0,339	1,459	73,287	19,937	23,322	29,394	26,140	20,190	20,005	20,316	20,016	62,938
48,834	0,218	0,620	1,305	0,123	0,016	0,338	1,459	73,303	19,951	23,309	24,488	27,522	20,188	19,998	20,313	20,019	62,936
49,167	0,218	0,624	1,297	0,124	0,015	0,335	1,459	73,340	19,927	23,325	26,288	24,226	20,195	20,016	20,316	20,020	62,916
49,500	0,220	0,627	1,300	0,124	0,014	0,333	1,459	73,359	19,944	23,317	27,506	26,931	20,200	20,015	20,326	20,028	62,910
49,833	0,221	0,626	1,315	0,123	0,011	0,333	1,458	73,345	19,946	23,333	27,202	27,942	20,197	20,010	20,308	20,022	62,910
50,167	0,220	0,621	1,315	0,123	0,012	0,337	1,457	73,362	19,942	23,349	25,842	28,868	20,196	20,025	20,322	20,032	62,894
50,500	0,219	0,621	1,313	0,123	0,016	0,337	1,457	73,364	19,938	23,304	26,771	26,462	20,186	20,006	20,323	20,025	62,890
50,833	0,220	0,623	1,301	0,123	0,011	0,336	1,457	73,409	19,957	23,360	26,034	26,049	20,202	20,021	20,316	20,030	62,892
51,167	0,219	0,618	1,310	0,124	0,014	0,340	1,457	73,381	19,940	23,407	27,121	26,322	20,206	20,022	20,317	20,030	62,892
51,500	0,218	0,614	1,312	0,124	0,015	0,343	1,457	73,372	19,948	23,404	25,706	26,522	20,200	20,019	20,318	20,034	62,879
51,833	0,218	0,612	1,304	0,123	0,009	0,345	1,457	73,434	19,918	23,421	29,282	27,324	20,204	20,033	20,336	20,040	62,884
52,167	0,219	0,612	1,309	0,124	0,011	0,344	1,456	73,443	19,905	23,396	25,971	27,897	20,201	20,025	20,317	20,038	62,896
52,500	0,221	0,618	1,322	0,123	0,021	0,339	1,456	73,456	19,881	23,409	22,560	24,239	20,208	20,025	20,324	20,039	62,878
52,833	0,220	0,614	1,310	0,126	0,016	0,343	1,456	73,458	19,854	23,353	25,908	27,125	20,201	20,022	20,312	20,036	62,878
53,167	0,218	0,609	1,313	0,124	0,014	0,347	1,456	73,459	19,840	23,329	25,104	26,468	20,210	20,029	20,311	20,042	62,886
53,500	0,219	0,612	1,320	0,126	0,013	0,344	1,456	73,459	19,822	23,267	27,357	26,942	20,200	20,031	20,324	20,042	62,884
53,833	0,220	0,613	1,317	0,123	0,009	0,344	1,456	73,488	19,781	23,270	32,739	29,082	20,218	20,029	20,319	20,046	62,970
54,167	0,220	0,609	1,315	0,125	0,016	0,346	1,456	73,452	19,815	23,208	25,221	23,639	20,206	20,033	20,325	20,045	62,960
54,500	0,219	0,610	1,315	0,124	0,010	0,345	1,455	73,453	19,755	23,224	28,451	31,296	20,218	20,039	20,320	20,050	62,972
54,834	0,217	0,608	1,311	0,125	0,016	0,348	1,454	73,471	19,734	23,217	23,526	23,647	20,210	20,028	20,324	20,052	62,958
55,167	0,218	0,607	1,305	0,125	0,011	0,349	1,454	73,484	19,736	23,211	27,144	26,426	20,221	20,039	20,335	20,058	62,969
55,500	0,221	0,608	1,306	0,125	0,008	0,347	1,454	73,486	19,717	23,209	30,207	29,813	20,217	20,045	20,320	20,053	62,977
55,834	0,221	0,607	1,301	0,124	0,008	0,348	1,454	73,529	19,732	23,237	29,686	30,158	20,218	20,038	20,324	20,057	62,957
56,167	0,221	0,607	1,297	0,124	0,017	0,348	1,455	73,544	19,710	23,235	27,599	27,708	20,217	20,038	20,318	20,059	62,952
56,500	0,219	0,611	1,294	0,125	0,014	0,345	1,454	73,564	19,728	23,189	29,908	28,907	20,218	20,028	20,319	20,062	62,955
56,833	0,218	0,615	1,311	0,124	0,021	0,341	1,453	73,568	19,699	23,192	25,688	23,818	20,215	20,047	20,335	20,064	62,967
57,167	0,217	0,617	1,312	0,124	0,015	0,339	1,452	73,580	19,727	23,063	29,861	27,721	20,211	20,042	20,334	20,068	62,957
57,500	0,226	0,627	1,303	0,125	0,019	0,331	1,453	73,620	19,747	22,993	27,376	21,215	20,224	20,052	20,340	20,072	62,956
57,833	0,228	0,623	1,309	0,125	0,019	0,335	1,453	73,592	19,720	22,999	28,508	23,411	20,219	20,043	20,328	20,062	62,957
58,167	0,228	0,618	1,307	0,125	0,007	0,340	1,452	73,571	19,750	23,020	28,455	29,949	20,223	20,052	20,338	20,075	62,961
58,500	0,227	0,614	1,314	0,125	0,018	0,344	1,452	73,531	19,716	22,999	22,499	26,309	20,221	20,048	20,333	20,070	62,965
58,833	0,226	0,621	1,309	0,125	0,011	0,336	1,452	73,494	19,724	23,001	27,167	26,653	20,219	20,053	20,328	20,071	62,959
59,167	0,228	0,627	1,322	0,125	0,014	0,333	1,452	73,422	19,743	22,996	25,163	28,921	20,218	20,048	20,330	20,069	62,958
59,500	0,229	0,626	1,311	0,125	0,020	0,333	1,452	73,398	19,747	23,004	22,844	22,410	20,204	20,038	20,315	20,066	62,951
59,833	0,228	0,626	1,313	0,124	0,009	0,333	1,452	73,353	19,738	22,995	24,494	24,874	20,213	20,047	20,333	20,070	62,935
60,167	0,228	0,630	1,318	0,125	0,022	0,330	1,452	73,334	19,733	22,978	29,804	27,428	20,210	20,044	20,325	20,068	62,920
60,500	0,231	0,630	1,302	0,125	0,023	0,330	1,451	73,293	19,716	23,000	24,217	21,525	20,208	20,039	20,324	20,070	62,909

Pellematic 56_cat II_run 2_191212.Dat

Category: II

	1103	1108	1109	130	230	101	102	1	2	3	6	7	8	11	
Mättid	T3 inlet load side	T2 inlet boiler	T1 outlet boiler	Flow load side	Flow boiler side	Heat output load side	Heat output boiler	CO chimney	CO2 chimney	O2 chimney	Pstat	Pdyn	Tunnel velocity	Våg	Tidpunkt
Minuter	°C	°C	°C	m³/h	m³/h	W	W	ppm	%	%	Pa	Pa	m/s	kg	Klockan
48,500	44,102	56,431	75,778	0,505	0,508	10955,771	11254,802	52,992	10,483	10,161	4,910	51,923	9,303	966,160	2019-12-12 10:22
48,834	44,102	56,421	75,720	0,505	0,508	10949,813	11228,275	47,163	10,509	10,142	4,934	52,126	9,321	966,160	2019-12-12 10:22
49,167	44,091	56,413	75,735	0,505	0,508	10947,625	11237,892	49,237	10,646	10,055	4,948	51,788	9,290	966,159	2019-12-12 10:22
49,500	44,088	56,408	75,711	0,506	0,508	10957,560	11235,149	55,836	10,687	9,975	4,969	52,083	9,317	966,159	2019-12-12 10:23
49,833	44,081	56,398	75,701	0,505	0,508	10945,363	11235,868	56,856	10,601	10,000	4,920	52,510	9,355	966,066	2019-12-12 10:23
50,167	44,082	56,392	75,706	0,506	0,508	10944,765	11240,059	52,502	10,517	10,115	4,924	52,383	9,344	966,065	2019-12-12 10:23
50,500	44,074	56,375	75,670	0,506	0,508	10944,784	11229,061	51,067	10,538	10,124	4,935	52,611	9,364	966,065	2019-12-12 10:24
50,833	44,073	56,376	75,682	0,506	0,508	10950,978	11244,289	52,653	10,557	10,078	4,914	51,860	9,297	966,066	2019-12-12 10:24
51,167	44,075	56,373	75,680	0,506	0,508	10957,872	11234,051	49,944	10,375	10,209	4,955	52,464	9,351	966,065	2019-12-12 10:24
51,500	44,069	56,371	75,661	0,506	0,508	10943,032	11222,814	47,956	10,347	10,295	4,980	52,636	9,366	966,065	2019-12-12 10:25
51,833	44,074	56,368	75,670	0,505	0,508	10926,529	11228,818	46,944	10,264	10,357	4,919	52,025	9,312	966,065	2019-12-12 10:25
52,167	44,085	56,378	75,681	0,506	0,508	10942,458	11232,213	52,688	10,342	10,331	4,949	52,319	9,338	965,974	2019-12-12 10:25
52,500	44,090	56,378	75,689	0,506	0,508	10939,637	11234,616	55,673	10,448	10,181	4,937	53,045	9,403	965,974	2019-12-12 10:26
52,833	44,094	56,363	75,682	0,506	0,508	10932,511	11240,443	51,882	10,306	10,299	5,026	52,008	9,310	965,974	2019-12-12 10:26
53,167	44,103	56,360	75,675	0,506	0,507	10932,393	11220,262	48,203	10,185	10,411	4,977	52,784	9,379	965,974	2019-12-12 10:26
53,500	44,115	56,360	75,706	0,506	0,508	10917,864	11251,409	50,317	10,361	10,311	5,047	52,759	9,377	965,974	2019-12-12 10:27
53,833	44,127	56,364	75,689	0,506	0,508	10966,854	11247,510	52,818	10,295	10,312	4,930	52,504	9,355	965,973	2019-12-12 10:27
54,167	44,139	56,343	75,661	0,505	0,506	10946,131	11190,760	52,913	10,228	10,395	4,994	52,330	9,339	965,973	2019-12-12 10:27
54,500	44,140	56,314	75,660	0,505	0,508	10953,343	11249,895	48,541	10,268	10,349	4,955	52,908	9,390	965,847	2019-12-12 10:28
54,834	44,137	56,304	75,682	0,505	0,506	10931,378	11235,366	45,265	10,191	10,431	4,981	52,439	9,349	965,847	2019-12-12 10:28
55,167	44,127	56,300	75,681	0,505	0,508	10942,133	11267,870	48,296	10,160	10,468	5,008	52,301	9,336	965,847	2019-12-12 10:28
55,500	44,105	56,315	75,708	0,504	0,507	10951,256	11258,974	55,722	10,211	10,417	5,002	52,658	9,368	965,847	2019-12-12 10:29
55,834	44,082	56,317	75,709	0,504	0,507	10956,153	11262,259	56,178	10,186	10,437	4,980	51,998	9,309	965,847	2019-12-12 10:29
56,167	44,063	56,317	75,673	0,504	0,508	10959,295	11255,095	54,165	10,174	10,449	4,967	51,906	9,301	965,847	2019-12-12 10:29
56,500	44,054	56,315	75,688	0,505	0,507	10980,054	11262,522	51,733	10,298	10,348	4,982	51,855	9,297	965,847	2019-12-12 10:30
56,833	44,055	56,302	75,641	0,504	0,507	10978,195	11235,909	47,373	10,393	10,232	4,962	52,726	9,374	965,753	2019-12-12 10:30
57,167	44,062	56,292	75,641	0,504	0,508	10958,977	11260,705	47,270	10,435	10,185	4,964	52,262	9,333	965,753	2019-12-12 10:30
57,500	44,071	56,295	75,661	0,505	0,508	10975,452	11278,582	74,873	10,707	9,942	5,014	52,102	9,319	965,753	2019-12-12 10:31
57,833	44,078	56,298	75,647	0,504	0,508	10958,605	11265,220	72,799	10,548	10,065	5,009	52,431	9,348	965,847	2019-12-12 10:31
58,167	44,089	56,304	75,633	0,504	0,508	10946,056	11251,996	72,469	10,421	10,205	5,014	52,596	9,363	965,753	2019-12-12 10:31
58,500	44,088	56,309	75,638	0,504	0,508	10951,380	11249,022	69,800	10,357	10,316	4,991	52,518	9,356	965,752	2019-12-12 10:32
58,833	44,084	56,312	75,614	0,504	0,508	10952,820	11236,949	70,623	10,609	10,081	4,983	52,335	9,339	965,753	2019-12-12 10:32
59,167	44,080	56,322	75,626	0,504	0,508	10955,757	11237,420	75,169	10,662	9,979	4,995	52,823	9,383	965,753	2019-12-12 10:32
59,500	44,067	56,315	75,604	0,504	0,509	10952,050	11239,561	75,401	10,629	10,004	5,018	52,254	9,332	965,753	2019-12-12 10:33
59,833	44,065	56,317	75,584	0,505	0,508	10955,646	11203,735	72,299	10,680	9,983	4,978	53,004	9,399	965,753	2019-12-12 10:33
60,167	44,054	56,296	75,548	0,504	0,507	10943,996	11178,891	74,576	10,757	9,889	4,990	52,727	9,374	965,753	2019-12-12 10:33
60,500	44,048	56,272	75,562	0,504	0,508	10941,976	11223,291	81,878	10,775	9,893	5,019	51,915	9,302	965,659	2019-12-12 10:34

Pellematic 56_cat II_run 2_191212.Dat

Category: II

	301	302	304	305	306	308	317	1311	1312	1313	1314	1315	1316	1317	1318	1101	1102
Mättid	CO chimney	CO2 chimney	Pdyn	Pstat	Static pressure chimney	O2 chimney	Våg	Flue gas temp	Ambient	Flue gas at pitot	filter temp 1	filter temp 2	gas meter temp 1	gas meter temp 2	gasmeter temp ambient		T4 outlet load side
Minuter	VDC	VDC	VDC	VDC	VDC	VDC	VDC	°C	°C	°C	°C	°C	°C	°C	°C	°C	°C
60,834	0,231	0,627	1,307	0,126	0,019	0,333	1,451	73,260	19,724	23,004	23,085	22,433	20,208	20,046	20,330	20,074	62,910
61,167	0,227	0,626	1,316	0,124	0,020	0,332	1,451	73,248	19,674	22,971	28,337	27,753	20,214	20,050	20,318	20,074	63,452
61,500	0,225	0,627	1,314	0,126	0,013	0,332	1,451	73,223	19,685	22,991	26,703	25,682	20,218	20,050	20,338	20,079	63,362
61,834	0,228	0,634	1,306	0,124	0,014	0,325	1,451	73,182	19,670	23,016	27,557	28,327	20,210	20,050	20,336	20,082	63,304
62,167	0,230	0,636	1,319	0,125	0,016	0,325	1,451	73,159	19,690	23,018	20,463	55,560	20,212	20,052	20,329	20,078	63,214
62,500	0,227	0,626	1,324	0,124	0,018	0,333	1,450	73,143	19,707	22,974	-9999,000	-79,505	20,223	20,049	20,327	20,081	63,210
62,834	0,226	0,622	1,313	0,125	0,013	0,336	1,451	73,100	19,747	22,947	-11,468	-8,430	20,212	20,059	20,329	20,085	63,202
63,167	0,225	0,627	1,316	0,124	0,012	0,332	1,451	73,066	19,774	22,953	12,526	14,678	20,229	20,062	20,338	20,088	63,166
63,500	0,226	0,632	1,333	0,125	0,013	0,328	1,450	73,055	19,774	22,951	24,061	20,139	20,222	20,067	20,341	20,090	62,596
63,833	0,227	0,627	1,314	0,123	0,019	0,331	1,449	73,020	19,766	22,968	25,818	22,919	20,224	20,048	20,323	20,084	62,631
64,167	0,230	0,632	1,302	0,124	0,015	0,328	1,449	72,979	19,787	22,997	28,935	28,279	20,214	20,066	20,317	20,087	62,693
64,500	0,228	0,633	1,307	0,124	0,018	0,327	1,449	72,971	19,739	22,988	28,735	36,808	20,231	20,063	20,330	20,096	62,727
64,833	0,229	0,635	1,313	0,125	0,010	0,325	1,449	72,975	19,766	23,007	28,761	30,573	20,224	20,069	20,329	20,092	62,696
65,167	0,229	0,639	1,328	0,123	0,015	0,321	1,449	72,945	19,781	23,029	30,028	28,480	20,231	20,068	20,333	20,091	63,220
65,500	0,227	0,645	1,305	0,123	0,014	0,316	1,449	72,849	19,790	23,115	29,461	28,724	20,222	20,070	20,333	20,090	63,151
65,833	0,222	0,651	1,308	0,121	0,011	0,311	1,448	72,802	19,802	23,228	30,106	27,464	20,230	20,064	20,329	20,093	63,113
66,167	0,215	0,652	1,303	0,122	0,014	0,309	1,448	72,764	19,813	23,232	29,060	30,144	20,240	20,077	20,331	20,096	63,086
66,500	0,216	0,657	1,328	0,123	0,013	0,305	1,448	72,768	19,776	23,250	29,263	28,722	20,232	20,072	20,336	20,100	63,066
66,833	0,218	0,653	1,309	0,121	0,014	0,309	1,448	72,771	19,776	23,248	28,256	30,494	20,230	20,076	20,331	20,099	63,054
67,167	0,218	0,651	1,319	0,122	0,017	0,310	1,448	72,806	19,775	23,249	30,059	26,205	20,241	20,070	20,330	20,105	63,025
67,500	0,217	0,653	1,306	0,123	0,019	0,308	1,448	72,800	19,772	23,248	27,988	29,636	20,238	20,084	20,340	20,105	63,022
67,834	0,216	0,651	1,302	0,123	0,010	0,311	1,447	72,806	19,728	23,286	25,984	27,853	20,236	20,070	20,340	20,106	63,010
68,167	0,217	0,643	1,310	0,122	0,017	0,318	1,447	72,865	19,706	23,315	30,067	27,046	20,251	20,078	20,340	20,112	63,002
68,500	0,218	0,649	1,310	0,122	0,018	0,311	1,446	72,867	19,733	23,303	28,430	28,517	20,227	20,087	20,329	20,109	63,001
68,834	0,218	0,654	1,303	0,122	0,012	0,308	1,446	72,897	19,724	23,270	28,187	29,667	20,237	20,094	20,336	20,114	62,998
69,167	0,219	0,653	1,314	0,120	0,014	0,309	1,446	72,943	19,721	23,219	27,233	27,768	20,234	20,088	20,339	20,111	62,996
69,500	0,219	0,657	1,319	0,121	0,012	0,305	1,446	72,977	19,767	23,235	26,757	28,608	20,253	20,101	20,346	20,120	62,998
69,834	0,219	0,661	1,311	0,122	0,016	0,301	1,444	73,010	19,785	23,263	28,878	26,791	20,252	20,098	20,335	20,121	63,006
70,167	0,220	0,660	1,311	0,122	0,013	0,302	1,445	73,012	19,763	23,242	25,402	28,608	20,244	20,082	20,327	20,115	62,990
70,500	0,221	0,662	1,313	0,121	0,012	0,302	1,443	73,020	19,787	23,241	25,820	27,420	20,236	20,080	20,323	20,112	63,013
70,833	0,222	0,656	1,307	0,120	0,012	0,306	1,445	73,021	19,777	23,275	37,182	26,557	20,244	20,082	20,322	20,111	63,011
71,167	0,221	0,651	1,306	0,121	0,022	0,312	1,444	73,057	19,756	23,255	30,968	31,515	20,249	20,091	20,333	20,117	63,034
71,500	0,221	0,645	1,305	0,121	0,013	0,316	1,443	73,080	19,770	23,250	28,972	26,640	20,247	20,090	20,332	20,117	63,053
71,833	0,220	0,645	1,312	0,122	0,016	0,315	1,444	73,080	19,795	23,303	26,716	24,284	20,244	20,090	20,325	20,119	63,074
72,167	0,219	0,639	1,308	0,122	0,013	0,321	1,443	73,106	19,810	23,330	26,124	27,161	20,252	20,097	20,335	20,124	63,078
72,500	0,218	0,632	1,321	0,122	0,011	0,327	1,443	73,166	19,815	23,297	27,646	30,261	20,247	20,092	20,327	20,127	63,061
72,833	0,217	0,632	1,316	0,122	0,020	0,326	1,443	73,169	19,825	23,317	26,184	26,137	20,255	20,108	20,343	20,130	63,039

Pellematic 56_cat II_run 2_191212.Dat

Category: II

	1103	1108	1109	130	230	101	102	1	2	3	6	7	8	11	
Mättid	T3 inlet load side	T2 inlet boiler	T1 outlet boiler	Flow load side	Flow boiler side	Heat output load side	Heat output boiler	CO chimney	CO2 chimney	O2 chimney	Pstat	Pdyn	Tunnel velocity	Våg	Tidpunkt
Minuter	°C	°C	°C	m³/h	m³/h	W	W	ppm	%	%	Pa	Pa	m/s	kg	Klockan
60,834	44,050	56,272	75,510	0,504	0,507	10935,844	11180,565	77,195	10,625	9,987	5,026	51,955	9,305	965,659	2019-12-12 10:34
61,167	44,044	56,266	75,527	0,505	0,508	11273,456	11210,570	68,191	10,676	9,974	4,974	52,867	9,387	965,660	2019-12-12 10:34
61,500	44,042	56,133	75,474	0,504	0,508	11211,475	11259,632	65,090	10,688	9,946	5,021	52,211	9,328	965,659	2019-12-12 10:35
61,834	44,042	55,980	75,442	0,504	0,508	11161,207	11326,225	74,292	10,907	9,751	4,952	52,298	9,336	965,659	2019-12-12 10:35
62,167	44,034	55,902	75,420	0,504	0,507	11124,715	11345,775	75,824	10,838	9,750	5,011	52,690	9,371	965,659	2019-12-12 10:35
62,500	44,032	55,874	75,361	0,505	0,508	11140,263	11334,459	70,109	10,594	9,999	4,975	53,294	9,425	965,565	2019-12-12 10:36
62,834	44,035	55,855	75,354	0,504	0,508	11125,658	11340,453	67,343	10,554	10,094	5,005	52,403	9,345	965,659	2019-12-12 10:36
63,167	44,041	55,841	75,331	0,505	0,508	11106,761	11333,383	64,746	10,749	9,946	4,965	52,734	9,375	965,659	2019-12-12 10:36
63,500	44,040	55,833	75,304	0,504	0,508	10768,257	11332,122	69,019	10,775	9,849	5,003	53,522	9,445	965,659	2019-12-12 10:37
63,833	44,036	55,940	75,268	0,504	0,506	10786,264	11197,054	72,028	10,693	9,943	4,931	52,620	9,365	965,565	2019-12-12 10:37
64,167	44,030	56,078	75,228	0,504	0,508	10823,240	11146,311	78,628	10,803	9,832	4,956	51,888	9,299	965,565	2019-12-12 10:37
64,500	44,034	56,151	75,184	0,505	0,507	10857,570	11049,934	72,549	10,858	9,796	4,967	52,283	9,335	965,565	2019-12-12 10:38
64,833	44,029	56,140	75,175	0,505	0,506	10839,121	11039,195	77,665	10,924	9,735	4,985	52,619	9,365	965,566	2019-12-12 10:38
65,167	44,023	56,102	75,156	0,504	0,507	11142,846	11077,159	73,473	10,995	9,619	4,906	53,277	9,423	965,565	2019-12-12 10:38
65,500	44,026	56,010	75,134	0,504	0,507	11102,181	11112,643	70,711	11,186	9,477	4,907	52,276	9,334	965,565	2019-12-12 10:39
65,833	44,032	55,840	75,115	0,504	0,508	11075,428	11211,328	51,237	11,222	9,340	4,841	52,226	9,330	965,474	2019-12-12 10:39
66,167	44,034	55,752	75,126	0,504	0,508	11052,473	11266,935	41,142	11,338	9,264	4,865	52,154	9,323	965,474	2019-12-12 10:39
66,500	44,029	55,715	75,121	0,504	0,508	11044,843	11284,608	44,428	11,449	9,140	4,911	52,978	9,397	965,474	2019-12-12 10:40
66,833	44,032	55,688	75,107	0,505	0,508	11045,244	11295,701	49,130	11,290	9,258	4,838	52,197	9,327	965,474	2019-12-12 10:40
67,167	44,037	55,674	75,038	0,504	0,508	11021,189	11264,476	48,626	11,293	9,292	4,874	52,476	9,352	965,474	2019-12-12 10:40
67,500	44,036	55,668	75,083	0,504	0,508	11001,541	11291,386	43,214	11,362	9,251	4,910	52,295	9,336	965,474	2019-12-12 10:41
67,834	44,042	55,661	75,028	0,505	0,508	11012,911	11272,334	42,750	11,226	9,330	4,911	52,211	9,328	965,474	2019-12-12 10:41
68,167	44,054	55,663	75,035	0,505	0,508	11001,328	11274,965	47,619	11,059	9,538	4,889	52,321	9,338	965,349	2019-12-12 10:41
68,500	44,051	55,649	75,045	0,505	0,506	11011,314	11256,343	48,213	11,309	9,327	4,875	52,445	9,349	965,350	2019-12-12 10:42
68,834	44,058	55,632	75,025	0,505	0,507	11003,382	11275,497	48,228	11,355	9,231	4,896	51,685	9,281	965,351	2019-12-12 10:42
69,167	44,065	55,628	75,074	0,505	0,506	10995,839	11276,203	51,062	11,303	9,274	4,812	52,960	9,395	965,350	2019-12-12 10:42
69,500	44,070	55,613	75,059	0,505	0,508	10995,086	11309,835	51,579	11,493	9,155	4,821	52,672	9,369	965,350	2019-12-12 10:43
69,834	44,082	55,621	75,064	0,504	0,507	10981,578	11294,713	49,042	11,518	9,043	4,891	52,472	9,352	965,255	2019-12-12 10:43
70,167	44,089	55,618	75,088	0,505	0,506	10976,162	11294,892	54,831	11,542	9,063	4,868	52,745	9,376	965,256	2019-12-12 10:43
70,500	44,098	55,612	75,147	0,504	0,506	10979,230	11318,339	55,009	11,531	9,060	4,850	52,391	9,344	965,161	2019-12-12 10:44
70,833	44,106	55,607	75,157	0,504	0,507	10974,188	11350,512	56,602	11,385	9,195	4,811	52,259	9,333	965,350	2019-12-12 10:44
71,167	44,113	55,630	75,148	0,505	0,507	10993,315	11335,464	56,524	11,240	9,358	4,858	52,688	9,371	965,255	2019-12-12 10:44
71,500	44,125	55,634	75,181	0,505	0,507	10991,108	11361,557	54,425	11,116	9,480	4,842	52,234	9,330	965,255	2019-12-12 10:45
71,833	44,137	55,655	75,143	0,505	0,507	10994,675	11310,681	51,575	11,121	9,456	4,872	52,529	9,357	965,255	2019-12-12 10:45
72,167	44,159	55,669	75,210	0,505	0,507	10982,956	11354,589	50,563	10,915	9,620	4,874	52,350	9,341	965,161	2019-12-12 10:45
72,500	44,175	55,679	75,262	0,505	0,507	10966,707	11377,388	47,207	10,768	9,797	4,872	52,881	9,388	965,161	2019-12-12 10:46
72,833	44,185	55,695	75,230	0,505	0,507	10951,379	11356,169	45,694	10,801	9,789	4,875	52,438	9,349	965,161	2019-12-12 10:46

Pellematic 56_cat II_run 2_191212.Dat

Category: II

	301	302	304	305	306	308	317	1311	1312	1313	1314	1315	1316	1317	1318	1101	1102
Mättid	CO chimney	CO2 chimney	Pdyn	Pstat	Static pressure chimney	O2 chimney	Våg	Flue gas temp	Ambient	Flue gas at pitot	filter temp 1	filter temp 2	gas meter temp 1	gas meter temp 2	gasmeter temp ambient		T4 outlet load side
Minuter	VDC	VDC	VDC	VDC	VDC	VDC	VDC	°C	°C	°C	°C	°C	°C	°C	°C	°C	°C
73,167	0,218	0,636	1,311	0,122	0,019	0,324	1,443	73,176	19,827	23,324	27,400	26,979	20,256	20,100	20,338	20,131	63,072
73,500	0,218	0,637	1,319	0,121	0,015	0,323	1,442	73,233	19,825	23,311	29,418	27,593	20,254	20,092	20,337	20,127	63,095
73,833	0,218	0,638	1,314	0,122	0,018	0,322	1,442	73,253	19,842	23,260	25,266	27,443	20,254	20,102	20,324	20,129	63,108
74,167	0,219	0,638	1,320	0,123	0,015	0,322	1,442	73,269	19,852	23,306	26,982	28,665	20,266	20,108	20,347	20,141	63,121
74,500	0,219	0,635	1,318	0,122	0,018	0,324	1,441	73,316	19,852	23,285	24,730	25,916	20,249	20,105	20,324	20,132	63,117
74,834	0,219	0,635	1,312	0,122	0,018	0,323	1,442	73,317	19,871	23,313	29,359	28,744	20,270	20,110	20,338	20,137	62,577
75,167	0,220	0,646	1,309	0,122	0,015	0,314	1,441	73,325	19,859	23,327	24,435	49,594	20,254	20,098	20,330	20,132	62,641
75,500	0,218	0,647	1,310	0,122	0,015	0,315	1,441	73,354	19,870	23,363	26,567	27,603	20,264	20,102	20,341	20,137	62,747
75,834	0,217	0,640	1,324	0,122	0,020	0,321	1,442	73,344	19,884	23,350	26,619	24,386	20,275	20,112	20,349	20,143	62,788
76,167	0,217	0,632	1,318	0,122	0,013	0,328	1,440	73,347	19,872	23,365	27,343	27,944	20,272	20,115	20,339	20,151	62,806
76,500	0,215	0,622	1,311	0,122	0,020	0,337	1,440	73,367	19,860	23,343	27,313	26,788	20,273	20,122	20,343	20,151	62,808
76,833	0,214	0,618	1,305	0,121	0,016	0,340	1,440	73,394	19,879	23,336	25,302	26,456	20,278	20,126	20,337	20,151	62,808
77,167	0,215	0,622	1,313	0,122	0,010	0,336	1,440	73,401	19,836	23,330	26,106	27,856	20,290	20,127	20,348	20,158	62,822
77,500	0,215	0,625	1,311	0,123	0,018	0,334	1,440	73,429	19,868	23,338	22,906	29,318	20,286	20,126	20,352	20,163	63,380
77,833	0,217	0,626	1,306	0,122	0,016	0,332	1,440	73,482	19,840	23,289	24,884	25,924	20,290	20,126	20,348	20,161	63,311
78,167	0,217	0,629	1,314	0,123	0,016	0,330	1,440	73,493	19,780	23,267	25,253	21,807	20,286	20,127	20,341	20,162	63,296
78,500	0,217	0,628	1,319	0,123	0,012	0,331	1,440	73,514	19,760	23,257	26,547	38,012	20,299	20,147	20,355	20,174	63,249
78,833	0,218	0,627	1,310	0,122	0,012	0,332	1,439	73,509	19,800	23,261	29,375	27,403	20,299	20,146	20,355	20,180	63,206
79,167	0,219	0,630	1,322	0,122	0,015	0,329	1,438	73,508	19,825	23,224	25,567	27,930	20,289	20,129	20,351	20,172	63,229
79,500	0,220	0,635	1,306	0,123	0,016	0,325	1,438	73,507	19,838	23,226	27,877	29,115	20,285	20,132	20,343	20,167	62,966
79,833	0,220	0,641	1,305	0,121	0,019	0,319	1,438	73,567	19,857	23,218	27,135	29,523	20,310	20,146	20,357	20,174	62,681
80,167	0,223	0,648	1,317	0,124	0,016	0,313	1,438	73,606	19,859	23,237	26,271	27,012	20,289	20,139	20,336	20,170	62,748
80,500	0,222	0,648	1,322	0,123	0,018	0,314	1,437	73,629	19,769	23,214	31,473	18,087	20,290	20,128	20,334	20,162	62,800
80,833	0,219	0,646	1,319	0,124	0,015	0,315	1,437	73,650	19,775	23,230	21,164	23,955	20,292	20,126	20,345	20,170	62,863
81,167	0,218	0,649	1,332	0,124	0,009	0,313	1,436	73,685	19,813	23,246	26,316	26,250	20,304	20,148	20,361	20,180	62,898
81,500	0,216	0,650	1,329	0,123	0,016	0,313	1,436	73,706	19,776	23,202	30,166	29,803	20,289	20,124	20,325	20,162	62,875
81,834	0,215	0,648	1,325	0,123	0,021	0,314	1,436	73,722	19,778	23,204	28,555	27,084	20,285	20,137	20,345	20,169	62,882
82,167	0,218	0,652	1,322	0,124	0,011	0,311	1,436	73,736	19,835	23,147	29,711	29,324	20,300	20,143	20,355	20,179	62,912
82,500	0,218	0,654	1,329	0,124	0,012	0,309	1,436	73,749	19,828	23,160	28,554	30,351	20,298	20,137	20,344	20,173	62,912
82,834	0,219	0,651	1,322	0,123	0,013	0,312	1,436	73,761	19,840	23,200	26,524	25,206	20,296	20,151	20,346	20,173	62,912
83,167	0,219	0,645	1,319	0,124	0,016	0,317	1,435	73,802	19,872	23,196	28,224	27,309	20,295	20,138	20,344	20,177	62,924
83,500	0,218	0,638	1,314	0,124	0,016	0,322	1,435	73,847	19,865	23,180	25,818	27,698	20,305	20,143	20,349	20,177	62,939
83,833	0,216	0,636	1,321	0,124	0,010	0,324	1,435	73,824	19,846	23,191	26,730	28,819	20,297	20,154	20,363	20,186	62,920
84,167	0,217	0,634	1,319	0,124	0,017	0,326	1,435	73,839	19,851	23,165	26,490	27,438	20,316	20,162	20,371	20,191	62,935
84,500	0,218	0,640	1,323	0,124	0,015	0,320	1,435	73,864	19,877	23,155	27,146	28,118	20,309	20,156	20,357	20,188	62,933
84,833	0,217	0,643	1,312	0,124	0,017	0,317	1,435	73,905	19,826	23,160	26,200	24,875	20,309	20,142	20,360	20,183	63,153
85,167	0,216	0,634	1,325	0,125	0,014	0,325	1,434	73,941	19,851	23,136	26,198	27,765	20,308	20,160	20,359	20,187	63,460

Pellematic 56_cat II_run 2_191212.Dat

Category: II

	1103	1108	1109	130	230	101	102	1	2	3	6	7	8	11	
Mättid	T3 inlet load side	T2 inlet boiler	T1 outlet boiler	Flow load side	Flow boiler side	Heat output load side	Heat output boiler	CO chimney	CO2 chimney	O2 chimney	Pstat	Pdyn	Tunnel velocity	Våg	Tidpunkt
Minuter	°C	°C	°C	m³/h	m³/h	W	W	ppm	%	%	Pa	Pa	m/s	kg	Klockan
73,167	44,194	55,735	75,279	0,504	0,508	10957,574	11371,572	49,552	10,914	9,711	4,871	52,278	9,334	965,161	2019-12-12 10:46
73,500	44,209	55,770	75,277	0,505	0,508	10966,635	11358,005	47,536	10,932	9,680	4,838	52,843	9,385	965,067	2019-12-12 10:47
73,833	44,223	55,798	75,254	0,504	0,507	10958,111	11305,284	49,045	10,946	9,663	4,884	52,649	9,367	965,162	2019-12-12 10:47
74,167	44,236	55,825	75,314	0,505	0,507	10972,359	11327,507	49,099	10,939	9,646	4,901	52,930	9,392	965,162	2019-12-12 10:47
74,500	44,242	55,818	75,299	0,505	0,506	10959,089	11304,228	51,397	10,882	9,730	4,887	52,707	9,373	965,067	2019-12-12 10:48
74,834	44,260	55,832	75,282	0,504	0,508	10631,370	11312,879	51,557	10,929	9,696	4,876	52,147	9,323	965,068	2019-12-12 10:48
75,167	44,265	55,968	75,323	0,505	0,507	10666,897	11253,084	50,668	11,228	9,423	4,899	52,456	9,350	965,067	2019-12-12 10:48
75,500	44,256	56,141	75,329	0,505	0,508	10742,193	11171,211	47,783	11,135	9,443	4,893	52,529	9,357	965,067	2019-12-12 10:49
75,834	44,253	56,230	75,320	0,505	0,507	10771,878	11087,497	47,191	10,969	9,615	4,882	52,975	9,396	965,068	2019-12-12 10:49
76,167	44,245	56,227	75,363	0,505	0,508	10776,618	11130,172	45,048	10,751	9,839	4,866	52,534	9,357	964,976	2019-12-12 10:49
76,500	44,234	56,233	75,322	0,505	0,507	10783,097	11076,344	40,242	10,499	10,099	4,877	52,091	9,318	964,976	2019-12-12 10:50
76,833	44,224	56,213	75,365	0,505	0,507	10791,003	11124,337	38,394	10,463	10,191	4,858	52,319	9,338	964,976	2019-12-12 10:50
77,167	44,212	56,204	75,379	0,504	0,507	10800,005	11136,452	41,265	10,572	10,081	4,880	52,377	9,343	964,975	2019-12-12 10:50
77,500	44,208	56,211	75,368	0,505	0,507	11131,114	11135,411	41,747	10,611	10,025	4,909	52,578	9,361	964,975	2019-12-12 10:51
77,833	44,200	56,101	75,399	0,505	0,508	11093,919	11227,883	47,961	10,685	9,958	4,864	51,943	9,304	964,975	2019-12-12 10:51
78,167	44,199	55,960	75,417	0,505	0,508	11087,506	11325,080	44,861	10,753	9,886	4,916	52,747	9,376	964,976	2019-12-12 10:51
78,500	44,204	55,900	75,422	0,504	0,508	11047,502	11359,192	46,956	10,696	9,922	4,927	52,956	9,395	964,976	2019-12-12 10:52
78,833	44,208	55,872	75,423	0,504	0,508	11025,986	11385,618	48,464	10,661	9,958	4,889	52,618	9,365	964,853	2019-12-12 10:52
79,167	44,210	55,895	75,450	0,504	0,508	11039,452	11389,687	53,067	10,801	9,868	4,880	52,842	9,385	964,850	2019-12-12 10:52
79,500	44,202	55,915	75,462	0,505	0,508	10892,866	11375,732	52,784	10,894	9,748	4,933	52,111	9,319	964,849	2019-12-12 10:53
79,833	44,195	55,936	75,480	0,505	0,507	10739,989	11363,623	57,449	11,073	9,565	4,857	52,381	9,344	964,850	2019-12-12 10:53
80,167	44,187	56,100	75,485	0,504	0,507	10769,727	11257,538	61,047	11,222	9,400	4,952	52,842	9,385	964,849	2019-12-12 10:53
80,500	44,172	56,233	75,519	0,505	0,508	10815,797	11212,580	55,701	11,167	9,408	4,916	52,812	9,382	964,790	2019-12-12 10:54
80,833	44,153	56,303	75,540	0,505	0,507	10863,155	11171,967	50,864	11,140	9,456	4,941	52,842	9,385	964,755	2019-12-12 10:54
81,167	44,139	56,298	75,562	0,504	0,506	10877,499	11172,848	47,455	11,257	9,378	4,960	53,464	9,440	964,755	2019-12-12 10:54
81,500	44,129	56,260	75,525	0,504	0,507	10869,692	11178,203	41,403	11,214	9,384	4,922	53,224	9,418	964,754	2019-12-12 10:55
81,834	44,124	56,256	75,582	0,503	0,508	10864,190	11235,890	42,472	11,191	9,420	4,928	52,969	9,396	964,755	2019-12-12 10:55
82,167	44,123	56,264	75,589	0,503	0,506	10882,932	11199,306	48,538	11,308	9,334	4,941	52,863	9,386	964,755	2019-12-12 10:55
82,500	44,111	56,258	75,608	0,504	0,507	10892,412	11234,453	48,714	11,363	9,266	4,943	53,076	9,405	964,755	2019-12-12 10:56
82,834	44,100	56,257	75,612	0,504	0,507	10919,841	11235,097	49,969	11,206	9,375	4,920	52,764	9,378	964,755	2019-12-12 10:56
83,167	44,087	56,251	75,664	0,504	0,507	10928,275	11275,348	51,060	11,109	9,498	4,976	52,579	9,361	964,662	2019-12-12 10:56
83,500	44,066	56,257	75,672	0,504	0,507	10945,743	11268,734	45,779	10,941	9,668	4,965	52,615	9,364	964,661	2019-12-12 10:57
83,833	44,043	56,260	75,666	0,504	0,508	10953,000	11285,339	43,332	10,878	9,715	4,974	53,023	9,401	964,661	2019-12-12 10:57
84,167	44,016	56,264	75,689	0,504	0,507	10980,677	11272,391	45,636	10,824	9,774	4,970	52,992	9,398	964,661	2019-12-12 10:57
84,500	43,985	56,255	75,745	0,504	0,507	10995,832	11313,218	49,554	11,046	9,585	4,979	52,776	9,379	964,661	2019-12-12 10:58
84,833	43,955	56,236	75,777	0,504	0,507	11138,107	11343,611	44,445	11,023	9,524	4,950	52,395	9,345	964,661	2019-12-12 10:58
85,167	43,925	56,216	75,778	0,504	0,507	11325,887	11369,526	41,792	10,849	9,751	5,017	53,168	9,413	964,568	2019-12-12 10:58

Pellematic 56_cat II_run 2_191212.Dat

Category: II

	301	302	304	305	306	308	317	1311	1312	1313	1314	1315	1316	1317	1318	1101	1102
Mättid	CO chimney	CO2 chimney	Pdyn	Pstat	Static pressure chimney	O2 chimney	Våg	Flue gas temp	Ambient	Flue gas at pitot	filter temp 1	filter temp 2	gas meter temp 1	gas meter temp 2	gasmeter temp ambient		T4 outlet load side
Minuter	VDC	VDC	VDC	VDC	VDC	VDC	VDC	°C	°C	°C	°C	°C	°C	°C	°C	°C	°C
85,500	0,216	0,636	1,316	0,125	0,012	0,323	1,433	73,968	19,828	23,099	25,942	28,494	20,298	20,148	20,359	20,185	63,417
85,833	0,216	0,635	1,322	0,124	0,010	0,325	1,433	73,945	19,635	23,045	27,376	26,718	20,310	20,164	20,363	20,191	63,352
86,167	0,217	0,631	1,332	0,125	0,016	0,328	1,433	73,940	19,666	23,028	26,316	27,439	20,305	20,151	20,359	20,188	63,294
86,500	0,216	0,632	1,330	0,124	0,012	0,326	1,432	73,929	19,629	23,028	25,844	25,632	20,315	20,149	20,359	20,190	63,302
86,833	0,216	0,642	1,321	0,124	0,015	0,318	1,433	73,919	19,681	22,957	26,815	24,446	20,313	20,162	20,367	20,189	62,758
87,167	0,216	0,642	1,333	0,124	0,016	0,319	1,433	73,949	19,721	22,960	23,548	25,054	20,314	20,173	20,362	20,191	62,806
87,500	0,216	0,642	1,331	0,125	0,012	0,318	1,432	74,015	19,765	23,013	24,487	28,335	20,339	20,194	20,397	20,218	62,880
87,833	0,217	0,647	1,320	0,125	0,012	0,314	1,432	74,003	19,769	22,988	26,009	27,264	20,305	20,154	20,351	20,186	62,894
88,167	0,219	0,650	1,335	0,124	0,013	0,312	1,432	74,055	19,803	23,002	30,262	29,498	20,323	20,173	20,379	20,204	62,914
88,500	0,219	0,647	1,318	0,124	0,016	0,315	1,431	74,043	19,761	23,017	27,950	30,128	20,316	20,164	20,369	20,199	62,931
88,834	0,217	0,646	1,308	0,125	0,013	0,315	1,432	74,048	19,752	23,013	27,299	24,500	20,313	20,153	20,361	20,193	62,932
89,167	0,216	0,647	1,304	0,124	0,010	0,315	1,432	74,074	19,762	22,994	26,136	27,016	20,319	20,158	20,364	20,194	62,955
89,500	0,214	0,642	1,326	0,124	0,014	0,318	1,430	74,082	19,740	22,964	23,531	27,641	20,307	20,151	20,357	20,190	62,991
89,834	0,215	0,649	1,337	0,125	0,013	0,312	1,430	74,067	19,696	22,959	27,187	25,702	20,315	20,166	20,369	20,202	63,012
90,167	0,216	0,653	1,326	0,125	0,016	0,310	1,430	74,059	19,721	22,926	30,655	27,647	20,314	20,165	20,367	20,195	63,029
90,500	0,215	0,650	1,325	0,125	0,012	0,312	1,430	74,119	19,764	22,929	26,172	28,163	20,310	20,157	20,364	20,196	63,055
90,833	0,215	0,647	1,328	0,126	0,018	0,314	1,429	74,143	19,710	22,947	27,096	27,582	20,315	20,166	20,367	20,196	63,075
91,167	0,215	0,649	1,313	0,125	0,015	0,313	1,429	74,180	19,677	22,946	24,995	25,820	20,328	20,177	20,377	20,204	63,093
91,500	0,215	0,644	1,315	0,128	0,014	0,317	1,428	74,204	19,669	22,939	24,962	27,056	20,314	20,182	20,383	20,208	63,113
91,833	0,215	0,642	1,313	0,125	0,009	0,318	1,428	74,221	19,696	22,899	28,021	26,913	20,311	20,161	20,366	20,200	63,125
92,167	0,215	0,641	1,304	0,126	0,012	0,319	1,428	74,231	19,685	22,921	28,306	27,347	20,326	20,185	20,372	20,206	63,104
92,500	0,215	0,635	1,321	0,124	0,021	0,325	1,428	74,240	19,707	22,911	25,723	28,293	20,318	20,178	20,373	20,208	63,114
92,833	0,215	0,623	1,332	0,126	0,017	0,335	1,428	74,263	19,722	22,892	29,212	26,408	20,319	20,173	20,372	20,204	63,103
93,167	0,215	0,620	1,334	0,125	0,010	0,337	1,428	74,279	19,677	22,903	25,696	27,958	20,329	20,182	20,378	20,213	63,107
93,500	0,215	0,621	1,329	0,124	0,011	0,336	1,426	74,301	19,704	22,943	24,597	26,795	20,330	20,198	20,375	20,220	63,104
93,833	0,216	0,617	1,318	0,125	0,018	0,340	1,427	74,301	19,654	22,966	27,397	26,444	20,322	20,176	20,374	20,210	63,092
94,167	0,215	0,614	1,333	0,126	0,016	0,343	1,427	74,338	19,729	22,946	24,896	26,236	20,340	20,185	20,376	20,225	63,091
94,500	0,213	0,609	1,329	0,128	0,015	0,346	1,427	74,343	19,733	22,918	25,778	25,359	20,339	20,191	20,389	20,223	63,094
94,834	0,212	0,605	1,330	0,125	0,019	0,350	1,427	74,291	19,752	22,899	27,434	26,780	20,321	20,170	20,370	20,211	63,107
95,167	0,213	0,608	1,330	0,125	0,016	0,348	1,425	74,321	19,744	22,914	23,692	23,883	20,325	20,181	20,377	20,222	62,537
95,500	0,213	0,609	1,322	0,126	0,010	0,347	1,426	74,368	19,743	22,912	27,818	26,514	20,320	20,184	20,380	20,218	62,632
95,834	0,214	0,613	1,328	0,125	0,019	0,343	1,425	74,327	19,751	22,907	23,392	27,228	20,329	20,193	20,384	20,224	62,736
96,167	0,213	0,621	1,330	0,125	0,015	0,337	1,425	74,341	19,764	22,910	24,088	25,254	20,329	20,184	20,377	20,222	62,753
96,500	0,214	0,624	1,341	0,125	0,015	0,334	1,425	74,377	19,776	22,934	29,277	29,083	20,330	20,186	20,380	20,224	63,286
96,834	0,215	0,624	1,328	0,125	0,017	0,334	1,425	74,403	19,732	22,914	24,860	25,571	20,337	20,195	20,384	20,230	63,333
97,167	0,216	0,633	1,332	0,126	0,019	0,326	1,425	74,417	19,774	22,967	24,108	43,568	20,341	20,199	20,392	20,235	63,278
97,500	0,217	0,640	1,331	0,126	0,010	0,320	1,424	74,430	19,748	22,951	25,098	25,709	20,329	20,193	20,370	20,219	63,231

Pellematic 56_cat II_run 2_191212.Dat

Category: II

	1103	1108	1109	130	230	101	102	1	2	3	6	7	8	11	
Mättid	T3 inlet load side	T2 inlet boiler	T1 outlet boiler	Flow load side	Flow boiler side	Heat output load side	Heat output boiler	CO chimney	CO2 chimney	O2 chimney	Pstat	Pdyn	Tunnel velocity	Våg	Tidpunkt
Minuter	°C	°C	°C	m³/h	m³/h	W	W	ppm	%	%	Pa	Pa	m/s	kg	Klockan
85,500	43,906	56,054	75,786	0,504	0,507	11316,863	11468,717	42,245	10,911	9,688	4,992	52,474	9,352	964,567	2019-12-12 10:59
85,833	43,896	55,919	75,772	0,505	0,506	11295,888	11515,946	45,091	10,850	9,736	4,957	53,122	9,409	964,567	2019-12-12 10:59
86,167	43,890	55,845	75,782	0,504	0,507	11258,262	11581,779	46,694	10,751	9,850	4,988	53,234	9,419	964,567	2019-12-12 10:59
86,500	43,890	55,843	75,784	0,504	0,506	11265,937	11560,064	42,919	10,855	9,785	4,965	53,395	9,434	964,476	2019-12-12 11:00
86,833	43,891	55,845	75,822	0,504	0,505	10951,300	11548,227	43,497	11,100	9,532	4,980	52,735	9,375	964,568	2019-12-12 11:00
87,167	43,894	55,927	75,811	0,504	0,508	10959,546	11565,249	43,090	11,011	9,574	4,971	53,435	9,437	964,568	2019-12-12 11:00
87,500	43,904	56,132	75,839	0,504	0,507	11012,901	11439,284	44,088	11,092	9,538	4,983	53,094	9,407	964,567	2019-12-12 11:01
87,833	43,910	56,246	75,870	0,504	0,506	11011,834	11383,209	47,437	11,185	9,428	4,985	52,715	9,373	964,476	2019-12-12 11:01
88,167	43,925	56,287	75,926	0,504	0,506	11011,611	11385,111	53,647	11,236	9,374	4,975	53,185	9,415	964,476	2019-12-12 11:01
88,500	43,946	56,308	75,949	0,504	0,506	11007,711	11392,238	47,408	11,176	9,438	4,968	52,384	9,344	964,476	2019-12-12 11:02
88,834	43,965	56,329	75,953	0,504	0,506	11009,550	11384,159	46,773	11,156	9,441	4,994	51,994	9,309	964,476	2019-12-12 11:02
89,167	44,001	56,348	75,961	0,504	0,506	11001,078	11372,879	43,168	11,160	9,449	4,963	52,341	9,340	964,476	2019-12-12 11:02
89,500	44,035	56,351	76,003	0,504	0,506	10999,851	11393,939	38,630	11,067	9,554	4,959	53,282	9,424	964,350	2019-12-12 11:03
89,834	44,078	56,374	75,993	0,504	0,506	10979,883	11378,840	40,812	11,277	9,345	5,013	53,420	9,436	964,350	2019-12-12 11:03
90,167	44,119	56,404	76,007	0,504	0,505	10957,525	11347,755	42,164	11,327	9,293	5,018	52,735	9,375	964,350	2019-12-12 11:03
90,500	44,151	56,430	76,051	0,504	0,506	10963,558	11373,174	38,807	11,185	9,362	4,993	53,425	9,436	964,350	2019-12-12 11:04
90,833	44,175	56,458	76,053	0,504	0,505	10964,742	11344,513	40,820	11,200	9,413	5,034	53,387	9,433	964,256	2019-12-12 11:04
91,167	44,180	56,474	76,059	0,504	0,507	10974,066	11382,568	41,909	11,221	9,393	4,995	52,292	9,336	964,256	2019-12-12 11:04
91,500	44,173	56,513	76,096	0,505	0,507	10995,569	11381,268	40,480	11,061	9,506	5,110	52,903	9,390	964,256	2019-12-12 11:05
91,833	44,151	56,544	76,109	0,503	0,506	10989,627	11342,653	39,807	11,046	9,553	5,016	52,232	9,330	964,256	2019-12-12 11:05
92,167	44,127	56,552	76,163	0,504	0,507	11004,726	11380,689	40,566	11,025	9,582	5,038	52,306	9,337	964,256	2019-12-12 11:05
92,500	44,098	56,557	76,136	0,504	0,507	11021,316	11365,919	39,887	10,788	9,762	4,979	52,901	9,390	964,256	2019-12-12 11:06
92,833	44,066	56,560	76,142	0,504	0,508	11048,230	11387,641	40,188	10,551	10,055	5,026	53,662	9,457	964,256	2019-12-12 11:06
93,167	44,041	56,561	76,140	0,504	0,509	11065,049	11407,278	39,564	10,529	10,113	5,017	53,227	9,419	964,256	2019-12-12 11:06
93,500	44,008	56,568	76,160	0,505	0,506	11089,610	11365,413	42,085	10,516	10,090	4,979	53,030	9,401	964,069	2019-12-12 11:07
93,833	43,979	56,543	76,213	0,504	0,506	11094,699	11406,757	43,201	10,406	10,198	5,010	52,956	9,395	964,162	2019-12-12 11:07
94,167	43,959	56,511	76,229	0,504	0,507	11105,541	11448,446	39,884	10,339	10,277	5,030	53,524	9,445	964,163	2019-12-12 11:07
94,500	43,962	56,500	76,173	0,504	0,507	11099,659	11420,003	35,293	10,194	10,392	5,111	52,999	9,399	964,163	2019-12-12 11:08
94,834	43,975	56,502	76,201	0,505	0,507	11110,874	11440,122	34,354	10,137	10,507	5,012	53,404	9,434	964,163	2019-12-12 11:08
95,167	44,000	56,507	76,246	0,505	0,507	10761,866	11459,605	35,197	10,201	10,440	4,983	53,096	9,407	964,068	2019-12-12 11:08
95,500	44,036	56,637	76,194	0,504	0,507	10782,329	11355,811	36,544	10,238	10,398	5,031	53,095	9,407	964,163	2019-12-12 11:09
95,834	44,071	56,841	76,223	0,505	0,507	10835,962	11245,368	37,794	10,355	10,293	5,017	53,032	9,401	964,068	2019-12-12 11:09
96,167	44,107	56,917	76,243	0,505	0,508	10828,909	11238,073	34,856	10,585	10,095	5,019	53,473	9,440	964,068	2019-12-12 11:09
96,500	44,132	56,946	76,245	0,504	0,507	11113,443	11212,827	38,893	10,598	10,025	5,012	53,429	9,437	964,069	2019-12-12 11:10
96,834	44,152	56,903	76,238	0,504	0,509	11126,630	11263,843	41,064	10,616	10,027	4,986	53,151	9,412	964,068	2019-12-12 11:10
97,167	44,162	56,761	76,254	0,504	0,508	11076,740	11347,925	45,233	10,888	9,789	5,023	53,085	9,406	964,068	2019-12-12 11:10
97,500	44,155	56,699	76,237	0,504	0,508	11058,186	11357,628	44,681	10,982	9,610	5,037	53,492	9,442	964,069	2019-12-12 11:11

Pellematic 56_cat II_run 2_191212.Dat

Category: II

	301	302	304	305	306	308	317	1311	1312	1313	1314	1315	1316	1317	1318	1101	1102
Mättid	CO chimney	CO2 chimney	Pdyn	Pstat	Static pressure chimney	O2 chimney	Våg	Flue gas temp	Ambient	Flue gas at pitot	filter temp 1	filter temp 2	gas meter temp 1	gas meter temp 2	gasmeter temp ambient		T4 outlet load side
Minuter	VDC	VDC	VDC	VDC	VDC	VDC	VDC	°C	°C	°C	°C	°C	°C	°C	°C	°C	°C
97,833	0,217	0,636	1,335	0,127	0,017	0,324	1,424	74,488	19,731	22,961	23,413	24,043	20,341	20,204	20,398	20,236	63,023
98,167	0,217	0,633	1,331	0,125	0,015	0,325	1,424	74,485	19,729	22,960	26,064	29,201	20,321	20,190	20,380	20,224	62,645
98,500	0,216	0,634	1,325	0,127	0,017	0,324	1,424	74,468	19,751	22,936	27,366	25,792	20,332	20,198	20,386	20,228	62,747
98,833	0,216	0,637	1,329	0,126	0,013	0,323	1,423	74,472	19,752	22,919	28,359	27,063	20,328	20,198	20,383	20,227	62,808
99,167	0,215	0,637	1,318	0,126	0,016	0,323	1,424	74,503	19,778	22,922	25,518	26,537	20,334	20,193	20,398	20,231	62,800
99,500	0,215	0,635	1,325	0,126	0,020	0,324	1,422	74,525	19,759	22,964	27,730	26,850	20,333	20,185	20,390	20,227	62,806
99,833	0,214	0,631	1,327	0,126	0,019	0,328	1,423	74,539	19,760	22,972	28,606	29,069	20,341	20,215	20,404	20,241	62,802
100,167	0,213	0,628	1,336	0,126	0,019	0,330	1,422	74,538	19,713	22,968	25,556	26,475	20,328	20,198	20,386	20,230	63,118
100,500	0,213	0,635	1,325	0,125	0,014	0,325	1,422	74,553	19,763	22,978	23,735	26,365	20,339	20,197	20,393	20,238	63,354
100,833	0,214	0,632	1,318	0,125	0,021	0,328	1,423	74,564	19,764	22,983	26,238	27,687	20,330	20,206	20,387	20,234	63,319
101,167	0,213	0,621	1,325	0,126	0,016	0,337	1,422	74,564	19,763	22,993	25,173	27,056	20,329	20,201	20,401	20,237	63,250
101,500	0,213	0,625	1,328	0,125	0,016	0,332	1,422	74,559	19,744	22,992	26,613	26,697	20,328	20,198	20,382	20,234	63,238
101,834	0,213	0,634	1,321	0,126	0,015	0,325	1,420	74,579	19,792	23,008	23,611	24,303	20,332	20,200	20,394	20,238	62,906
102,167	0,213	0,631	1,319	0,124	0,017	0,329	1,420	74,569	19,799	23,014	27,687	29,124	20,335	20,215	20,400	20,241	62,698
102,500	0,213	0,631	1,332	0,125	0,010	0,328	1,420	74,593	19,790	22,981	29,921	28,104	20,324	20,190	20,394	20,230	62,733
102,834	0,214	0,636	1,326	0,125	0,008	0,324	1,420	74,637	19,761	23,019	28,988	28,785	20,319	20,189	20,394	20,236	62,867
103,167	0,215	0,633	1,330	0,124	0,019	0,326	1,420	74,662	19,767	23,012	30,618	29,709	20,326	20,211	20,399	20,240	62,861
103,500	0,215	0,628	1,319	0,126	0,019	0,331	1,420	74,695	19,782	22,988	27,649	28,606	20,312	20,192	20,397	20,229	62,877
103,834	0,215	0,625	1,314	0,126	0,016	0,334	1,419	74,694	19,782	23,002	22,517	25,471	20,316	20,197	20,397	20,232	62,859
104,167	0,213	0,618	1,322	0,126	0,011	0,341	1,419	74,716	19,818	22,991	33,855	30,673	20,321	20,208	20,400	20,238	62,889
104,500	0,212	0,609	1,336	0,125	0,014	0,347	1,419	74,737	19,802	22,975	25,410	25,712	20,323	20,204	20,397	20,236	62,901
104,833	0,213	0,612	1,338	0,126	0,017	0,344	1,419	74,741	19,851	23,025	25,848	28,027	20,329	20,216	20,410	20,247	63,206
105,167	0,213	0,618	1,331	0,125	0,015	0,340	1,419	74,737	19,894	23,022	23,746	27,625	20,335	20,209	20,406	20,251	63,474
105,500	0,213	0,623	1,327	0,124	0,016	0,334	1,419	74,752	19,878	23,045	41,071	24,787	20,354	20,227	20,421	20,260	63,335
105,833	0,215	0,625	1,318	0,125	0,016	0,333	1,418	74,767	19,882	23,029	17,707	23,994	20,340	20,226	20,415	20,255	63,045
106,167	0,214	0,626	1,338	0,125	0,019	0,332	1,418	74,804	19,869	22,999	20,379	-3,109	20,335	20,212	20,410	20,251	62,748
106,500	0,213	0,620	1,322	0,127	0,016	0,338	1,417	74,805	19,905	23,021	20,403	1,450	20,365	20,235	20,427	20,268	62,807
106,833	0,214	0,619	1,322	0,127	0,022	0,339	1,417	74,826	19,905	23,034	20,422	0,102	20,350	20,234	20,420	20,268	62,851
107,167	0,215	0,618	1,333	0,127	0,021	0,339	1,417	74,835	19,897	23,037	20,434	12,258	20,348	20,229	20,426	20,264	62,896
107,500	0,214	0,620	1,326	0,126	0,012	0,338	1,417	74,814	19,879	23,031	20,437	-35,056	20,345	20,224	20,426	20,262	62,963
107,833	0,214	0,626	1,309	0,125	0,014	0,332	1,417	74,824	19,900	23,085	20,447	-9,727	20,358	20,236	20,435	20,272	62,977
108,167	0,214	0,635	1,308	0,128	0,015	0,325	1,416	74,850	19,900	23,053	20,447	15,939	20,348	20,230	20,428	20,266	62,951
108,500	0,215	0,639	1,322	0,126	0,010	0,322	1,416	74,858	19,857	23,030	20,452	19,235	20,348	20,226	20,424	20,262	62,955
108,834	0,215	0,636	1,317	0,125	0,014	0,324	1,416	74,847	19,889	23,028	20,442	20,265	20,338	20,224	20,420	20,256	62,971
109,167	0,216	0,641	1,316	0,126	0,013	0,320	1,416	74,882	19,883	22,996	20,457	20,286	20,337	20,210	20,408	20,254	62,961
109,500	0,217	0,645	1,316	0,126	0,015	0,315	1,416	74,879	19,855	23,011	20,453	20,313	20,335	20,229	20,418	20,260	62,967
109,834	0,217	0,640	1,322	0,126	0,014	0,321	1,416	74,918	19,835	23,019	20,462	20,317	20,351	20,220	20,422	20,266	62,980

Pellematic 56_cat II_run 2_191212.Dat

Category: II

	1103	1108	1109	130	230	101	102	1	2	3	6	7	8	11	
Mättid	T3 inlet load side	T2 inlet boiler	T1 outlet boiler	Flow load side	Flow boiler side	Heat output load side	Heat output boiler	CO chimney	CO2 chimney	O2 chimney	Pstat	Pdyn	Tunnel velocity	Våg	Tidpunkt
Minuter	°C	°C	°C	m³/h	m³/h	W	W	ppm	%	%	Pa	Pa	m/s	kg	Klockan
97,833	44,156	56,689	76,275	0,504	0,507	10949,894	11379,851	46,280	10,852	9,728	5,062	53,178	9,414	963,977	2019-12-12 11:11
98,167	44,139	56,682	76,271	0,504	0,507	10741,217	11373,194	46,773	10,853	9,764	5,017	53,171	9,414	963,976	2019-12-12 11:11
98,500	44,131	56,848	76,265	0,504	0,508	10802,918	11289,055	42,574	10,878	9,731	5,071	52,839	9,384	963,977	2019-12-12 11:12
98,833	44,120	57,001	76,279	0,504	0,507	10846,277	11194,262	42,998	10,929	9,676	5,045	53,031	9,401	963,851	2019-12-12 11:12
99,167	44,104	57,036	76,294	0,505	0,508	10853,707	11202,336	40,070	10,914	9,698	5,022	52,815	9,382	963,977	2019-12-12 11:12
99,500	44,089	57,060	76,294	0,505	0,506	10870,298	11145,312	39,652	10,866	9,722	5,023	53,326	9,427	963,850	2019-12-12 11:13
99,833	44,078	57,040	76,288	0,505	0,506	10870,545	11162,321	38,137	10,734	9,835	5,045	53,207	9,417	963,977	2019-12-12 11:13
100,167	44,062	57,031	76,340	0,504	0,508	11057,578	11229,590	35,619	10,728	9,913	5,032	53,455	9,439	963,851	2019-12-12 11:13
100,500	44,046	56,983	76,339	0,505	0,508	11210,053	11252,161	36,109	10,912	9,735	5,000	52,697	9,372	963,851	2019-12-12 11:14
100,833	44,032	56,792	76,351	0,505	0,508	11197,597	11376,353	36,454	10,702	9,848	5,014	52,885	9,388	963,851	2019-12-12 11:14
101,167	44,027	56,694	76,357	0,504	0,508	11143,778	11432,497	35,445	10,505	10,117	5,022	53,069	9,405	963,852	2019-12-12 11:14
101,500	44,026	56,657	76,388	0,504	0,508	11141,174	11477,718	35,356	10,678	9,971	4,989	53,330	9,428	963,851	2019-12-12 11:15
101,834	44,035	56,662	76,400	0,504	0,508	10945,054	11490,122	36,368	10,865	9,761	5,022	52,467	9,351	963,757	2019-12-12 11:15
102,167	44,041	56,721	76,398	0,504	0,507	10825,246	11433,340	34,029	10,737	9,857	4,967	52,918	9,391	963,757	2019-12-12 11:15
102,500	44,054	56,927	76,434	0,504	0,507	10836,308	11325,169	37,720	10,803	9,847	5,010	53,399	9,434	963,757	2019-12-12 11:16
102,834	44,068	57,042	76,406	0,504	0,507	10900,506	11233,621	37,421	10,901	9,712	5,004	52,871	9,387	963,757	2019-12-12 11:16
103,167	44,075	57,076	76,423	0,504	0,507	10897,179	11228,300	40,477	10,795	9,786	4,968	53,192	9,416	963,758	2019-12-12 11:16
103,500	44,080	57,072	76,462	0,504	0,508	10900,511	11281,973	42,403	10,688	9,932	5,035	52,277	9,334	963,758	2019-12-12 11:17
103,834	44,080	57,085	76,455	0,504	0,508	10891,611	11258,179	38,972	10,585	10,005	5,034	52,669	9,369	963,664	2019-12-12 11:17
104,167	44,072	57,103	76,486	0,504	0,507	10904,854	11263,446	34,173	10,376	10,217	5,034	53,082	9,406	963,664	2019-12-12 11:17
104,500	44,059	57,120	76,465	0,504	0,508	10925,844	11248,103	32,254	10,219	10,421	5,016	53,236	9,419	963,664	2019-12-12 11:18
104,833	44,050	57,130	76,496	0,504	0,507	11114,965	11253,813	36,035	10,336	10,328	5,048	53,637	9,455	963,664	2019-12-12 11:18
105,167	44,038	57,075	76,494	0,504	0,507	11274,720	11283,258	34,692	10,470	10,190	4,997	53,216	9,418	963,663	2019-12-12 11:18
105,500	44,030	56,876	76,497	0,504	0,507	11204,947	11403,923	38,209	10,603	10,034	4,961	52,950	9,394	963,664	2019-12-12 11:19
105,833	44,019	56,768	76,504	0,504	0,508	11025,186	11492,789	41,435	10,618	9,994	4,986	52,973	9,396	963,665	2019-12-12 11:19
106,167	44,024	56,774	76,521	0,504	0,506	10848,638	11436,907	38,413	10,670	9,968	5,013	53,360	9,430	963,570	2019-12-12 11:19
106,500	44,032	56,940	76,530	0,504	0,507	10891,713	11371,294	35,952	10,450	10,139	5,080	52,490	9,353	963,570	2019-12-12 11:20
106,833	44,048	57,075	76,538	0,504	0,508	10898,481	11314,152	39,648	10,462	10,163	5,079	52,869	9,387	963,570	2019-12-12 11:20
107,167	44,062	57,138	76,552	0,504	0,508	10916,378	11302,296	40,494	10,475	10,160	5,100	53,357	9,430	963,570	2019-12-12 11:20
107,500	44,074	57,199	76,573	0,504	0,508	10951,335	11272,988	38,891	10,493	10,133	5,028	53,278	9,423	963,569	2019-12-12 11:21
107,833	44,084	57,201	76,555	0,504	0,507	10951,429	11242,786	38,479	10,705	9,951	5,003	52,356	9,341	963,570	2019-12-12 11:21
108,167	44,086	57,181	76,618	0,503	0,505	10921,922	11245,466	39,678	10,936	9,747	5,121	52,153	9,323	963,478	2019-12-12 11:21
108,500	44,079	57,162	76,592	0,504	0,506	10949,922	11261,819	40,561	10,944	9,658	5,036	52,899	9,390	963,478	2019-12-12 11:22
108,834	44,075	57,148	76,611	0,504	0,507	10951,890	11302,798	41,995	10,908	9,721	4,990	52,670	9,369	963,479	2019-12-12 11:22
109,167	44,072	57,158	76,622	0,504	0,506	10951,729	11278,082	43,257	11,056	9,589	5,041	52,642	9,367	963,478	2019-12-12 11:22
109,500	44,070	57,154	76,579	0,504	0,507	10959,448	11270,546	44,856	11,121	9,464	5,027	52,323	9,338	963,478	2019-12-12 11:23
109,834	44,068	57,156	76,600	0,504	0,507	10972,282	11285,193	44,011	10,961	9,619	5,047	53,306	9,426	963,479	2019-12-12 11:23

Pellematic 56_cat II_run 2_191212.Dat

Category: II

	301	302	304	305	306	308	317	1311	1312	1313	1314	1315	1316	1317	1318	1101	1102
Mättid	CO chimney	CO2 chimney	Pdyn	Pstat	Static pressure chimney	O2 chimney	Våg	Flue gas temp	Ambient	Flue gas at pitot	filter temp 1	filter temp 2	gas meter temp 1	gas meter temp 2	gasmeter temp ambient		T4 outlet load side
Minuter	VDC	VDC	VDC	VDC	VDC	VDC	VDC	°C	°C	°C	°C	°C	°C	°C	°C	°C	°C
110,167	0,216	0,640	1,317	0,128	0,010	0,320	1,416	74,919	19,799	22,993	20,463	20,313	20,345	20,231	20,426	20,263	62,980
110,500	0,216	0,640	1,331	0,127	0,007	0,320	1,414	74,952	19,663	22,977	20,481	20,317	20,348	20,243	20,428	20,273	62,968
110,833	0,216	0,635	1,321	0,124	0,013	0,324	1,414	74,988	19,771	23,001	20,469	20,310	20,359	20,241	20,428	20,273	62,980
111,167	0,216	0,631	1,323	0,126	0,011	0,328	1,415	75,007	19,754	23,015	20,469	20,295	20,341	20,225	20,430	20,269	62,974
111,500	0,215	0,628	1,325	0,126	0,014	0,330	1,415	74,986	19,786	23,009	20,477	20,297	20,350	20,228	20,431	20,268	62,983
111,833	0,215	0,628	1,331	0,127	0,013	0,330	1,414	74,981	19,822	22,978	20,479	20,289	20,343	20,228	20,422	20,269	62,982
112,167	0,214	0,625	1,331	0,129	0,012	0,332	1,414	75,000	19,841	23,021	20,496	20,315	20,361	20,251	20,443	20,281	63,005
112,500	0,215	0,631	1,328	0,127	0,009	0,328	1,412	75,000	19,844	23,029	20,491	20,291	20,361	20,242	20,428	20,275	63,008
112,833	0,216	0,632	1,316	0,128	0,011	0,326	1,412	75,021	19,838	23,046	20,479	20,278	20,355	20,232	20,423	20,272	63,014
113,167	0,216	0,631	1,325	0,127	0,017	0,328	1,413	75,021	19,822	23,010	20,490	20,273	20,355	20,242	20,438	20,276	63,023
113,500	0,215	0,625	1,320	0,128	0,015	0,334	1,413	75,008	19,796	22,994	20,488	20,272	20,363	20,246	20,446	20,282	63,049
113,833	0,215	0,615	1,321	0,128	0,019	0,342	1,412	75,023	19,816	22,992	20,491	20,267	20,367	20,257	20,444	20,289	63,043
114,167	0,215	0,610	1,317	0,127	0,018	0,346	1,412	75,031	19,681	22,958	20,471	20,255	20,351	20,236	20,430	20,273	63,051
114,500	0,215	0,615	1,322	0,126	0,022	0,341	1,411	75,055	19,749	22,960	20,491	20,252	20,370	20,250	20,438	20,285	63,059
114,833	0,215	0,626	1,310	0,127	0,020	0,332	1,411	75,059	19,767	22,989	20,488	20,256	20,367	20,253	20,451	20,291	63,063
115,167	0,215	0,631	1,312	0,127	0,022	0,329	1,411	75,073	19,781	23,046	20,489	20,250	20,368	20,256	20,454	20,291	63,070
115,500	0,215	0,626	1,316	0,127	0,013	0,333	1,411	75,084	19,798	22,982	20,471	20,227	20,361	20,251	20,446	20,282	63,065
115,834	0,215	0,626	1,316	0,127	0,011	0,333	1,411	75,098	19,720	22,940	20,481	20,222	20,353	20,247	20,450	20,285	63,072
116,167	0,214	0,622	1,319	0,127	0,011	0,337	1,411	75,120	19,763	22,982	20,496	20,234	20,358	20,256	20,449	20,292	63,068
116,500	0,213	0,613	1,310	0,127	0,014	0,344	1,411	75,104	19,788	22,968	20,496	20,223	20,375	20,262	20,450	20,297	63,063
116,834	0,214	0,612	1,326	0,127	0,021	0,344	1,411	75,107	19,731	22,998	20,481	20,217	20,375	20,253	20,458	20,295	63,074
117,167	0,215	0,613	1,330	0,128	0,019	0,343	1,409	75,160	19,660	22,982	20,478	20,225	20,362	20,259	20,452	20,292	63,080
117,500	0,215	0,608	1,322	0,128	0,017	0,348	1,409	75,154	19,676	22,980	20,474	20,210	20,345	20,250	20,442	20,285	63,087
117,833	0,215	0,608	1,330	0,128	0,019	0,347	1,409	75,165	19,719	22,997	20,475	20,196	20,358	20,258	20,442	20,289	63,097
118,167	0,214	0,614	1,318	0,127	0,017	0,342	1,409	75,186	19,762	23,009	20,473	20,204	20,373	20,259	20,448	20,295	63,102
118,500	0,214	0,616	1,328	0,127	0,010	0,341	1,409	75,161	19,765	22,987	20,465	20,198	20,352	20,262	20,446	20,291	63,098
118,833	0,214	0,612	1,336	0,128	0,015	0,345	1,409	75,173	19,763	22,981	20,476	20,195	20,356	20,255	20,446	20,291	63,098
119,167	0,214	0,612	1,333	0,127	0,010	0,344	1,408	75,187	19,745	22,987	20,465	20,189	20,363	20,262	20,444	20,293	63,088
119,500	0,214	0,614	1,327	0,128	0,009	0,343	1,408	75,158	19,759	23,013	20,471	20,178	20,361	20,245	20,446	20,293	63,039
119,833	0,213	0,611	1,322	0,129	0,017	0,345	1,408	75,196	19,803	22,996	20,481	20,188	20,367	20,268	20,467	20,306	63,020
120,167	0,213	0,612	1,307	0,127	0,012	0,343	1,408	75,168	19,806	22,998	20,467	20,180	20,358	20,270	20,473	20,298	63,019
120,500	0,214	0,615	1,329	0,129	0,009	0,341	1,408	75,220	19,799	22,983	20,557	20,164	20,354	20,252	20,457	20,294	63,024
120,833	0,214	0,617	1,329	0,127	0,012	0,340	1,408	75,217	19,786	22,998	20,647	20,153	20,356	20,256	20,464	20,295	63,030
121,167	0,214	0,615	1,326	0,127	0,009	0,342	1,408	75,264	19,733	23,048	20,710	20,222	20,352	20,270	20,470	20,306	63,025
121,500	0,214	0,613	1,314	0,129	0,013	0,344	1,408	75,265	19,704	23,002	20,733	20,283	20,321	20,253	20,468	20,299	63,016
121,833	0,213	0,611	1,324	0,128	0,022	0,346	1,406	75,258	19,724	23,007	20,762	20,356	20,308	20,252	20,463	20,293	63,025
122,167	0,212	0,611	1,330	0,128	0,015	0,345	1,406	75,289	19,689	23,030	20,796	20,411	20,308	20,252	20,485	20,301	63,011

Pellematic 56_cat II_run 2_191212.Dat

Category: II

	1103	1108	1109	130	230	101	102	1	2	3	6	7	8	11	
Mättid	T3 inlet load side	T2 inlet boiler	T1 outlet boiler	Flow load side	Flow boiler side	Heat output load side	Heat output boiler	CO chimney	CO2 chimney	O2 chimney	Pstat	Pdyn	Tunnel velocity	Våg	Tidpunkt
Minuter	°C	°C	°C	m³/h	m³/h	W	W	ppm	%	%	Pa	Pa	m/s	kg	Klockan
110,167	44,064	57,164	76,627	0,504	0,505	10968,993	11261,464	42,494	11,015	9,612	5,109	52,900	9,390	963,478	2019-12-12 11:23
110,500	44,060	57,160	76,621	0,503	0,507	10951,674	11288,130	43,246	10,978	9,607	5,064	53,175	9,414	963,349	2019-12-12 11:24
110,833	44,052	57,162	76,639	0,504	0,506	10972,999	11287,361	42,665	10,822	9,735	4,974	52,806	9,381	963,349	2019-12-12 11:24
111,167	44,043	57,164	76,667	0,504	0,505	10973,727	11284,004	43,251	10,731	9,843	5,037	53,011	9,400	963,349	2019-12-12 11:24
111,500	44,038	57,146	76,679	0,503	0,507	10971,754	11341,812	41,992	10,691	9,906	5,022	52,783	9,379	963,349	2019-12-12 11:25
111,833	44,034	57,179	76,648	0,504	0,506	10980,589	11275,936	38,872	10,675	9,909	5,094	53,384	9,433	963,349	2019-12-12 11:25
112,167	44,038	57,182	76,652	0,504	0,506	10999,758	11274,220	39,725	10,654	9,969	5,153	53,093	9,407	963,349	2019-12-12 11:25
112,500	44,031	57,161	76,700	0,504	0,507	11010,957	11345,824	40,984	10,796	9,830	5,085	53,096	9,407	963,254	2019-12-12 11:26
112,833	44,039	57,171	76,714	0,504	0,507	11006,196	11341,341	42,658	10,799	9,788	5,114	52,465	9,351	963,255	2019-12-12 11:26
113,167	44,044	57,190	76,721	0,504	0,507	11000,855	11342,373	42,242	10,783	9,829	5,076	53,194	9,416	963,254	2019-12-12 11:26
113,500	44,055	57,205	76,745	0,504	0,506	11005,655	11322,674	39,389	10,537	10,007	5,105	52,807	9,381	963,254	2019-12-12 11:27
113,833	44,073	57,201	76,785	0,503	0,507	10979,034	11362,557	41,653	10,349	10,266	5,113	52,883	9,388	963,254	2019-12-12 11:27
114,167	44,066	57,215	76,754	0,503	0,507	10991,980	11349,569	40,562	10,253	10,375	5,064	52,509	9,355	963,254	2019-12-12 11:27
114,500	44,060	57,236	76,760	0,503	0,506	11001,164	11304,800	39,888	10,459	10,223	5,056	53,118	9,409	963,160	2019-12-12 11:28
114,833	44,055	57,240	76,795	0,503	0,507	11005,936	11362,861	40,637	10,702	9,959	5,070	52,087	9,317	963,161	2019-12-12 11:28
115,167	44,046	57,258	76,829	0,503	0,507	11010,616	11353,839	39,725	10,748	9,876	5,060	52,533	9,357	963,161	2019-12-12 11:28
115,500	44,033	57,256	76,796	0,504	0,506	11029,663	11327,577	38,976	10,609	9,985	5,081	52,728	9,374	963,161	2019-12-12 11:29
115,834	44,021	57,246	76,810	0,504	0,508	11048,952	11378,716	39,310	10,659	9,984	5,084	52,695	9,371	963,160	2019-12-12 11:29
116,167	44,026	57,258	76,791	0,503	0,506	11030,682	11317,256	37,213	10,496	10,101	5,079	52,772	9,378	963,161	2019-12-12 11:29
116,500	44,033	57,228	76,803	0,503	0,507	11018,834	11355,799	35,777	10,283	10,335	5,068	52,464	9,351	963,160	2019-12-12 11:30
116,834	44,042	57,246	76,868	0,503	0,507	11017,117	11395,725	37,882	10,299	10,330	5,090	53,108	9,408	963,160	2019-12-12 11:30
117,167	44,052	57,266	76,843	0,503	0,507	11021,674	11362,296	41,935	10,346	10,283	5,133	53,095	9,407	963,067	2019-12-12 11:30
117,500	44,056	57,279	76,851	0,504	0,505	11029,670	11324,510	39,393	10,148	10,452	5,113	52,811	9,382	963,066	2019-12-12 11:31
117,833	44,053	57,266	76,873	0,503	0,508	11016,183	11401,601	40,151	10,249	10,417	5,102	53,104	9,408	963,066	2019-12-12 11:31
118,167	44,050	57,287	76,845	0,503	0,507	11022,544	11354,740	35,910	10,401	10,265	5,088	52,743	9,376	963,066	2019-12-12 11:31
118,500	44,042	57,308	76,865	0,504	0,505	11047,036	11320,295	37,956	10,392	10,225	5,081	53,236	9,419	963,067	2019-12-12 11:32
118,833	44,036	57,286	76,858	0,503	0,505	11043,472	11329,470	38,387	10,290	10,335	5,127	53,381	9,432	963,066	2019-12-12 11:32
119,167	44,034	57,273	76,861	0,504	0,507	11042,812	11363,597	40,013	10,297	10,314	5,076	53,326	9,427	963,066	2019-12-12 11:32
119,500	44,034	57,275	76,834	0,504	0,507	11015,078	11358,780	37,889	10,322	10,288	5,111	52,847	9,385	962,974	2019-12-12 11:33
119,833	44,041	57,299	76,877	0,504	0,505	10997,799	11327,080	36,461	10,259	10,355	5,166	52,875	9,388	962,974	2019-12-12 11:33
120,167	44,039	57,312	76,851	0,503	0,506	10982,178	11313,812	37,285	10,329	10,303	5,085	52,114	9,320	962,974	2019-12-12 11:33
120,500	44,040	57,314	76,878	0,503	0,505	10994,026	11323,502	37,232	10,378	10,241	5,173	53,185	9,415	962,975	2019-12-12 11:34
120,833	44,033	57,327	76,843	0,503	0,506	10997,990	11313,375	39,140	10,418	10,192	5,089	53,182	9,415	962,974	2019-12-12 11:34
121,167	44,028	57,338	76,883	0,504	0,506	11013,165	11320,697	38,550	10,374	10,246	5,090	52,704	9,372	962,974	2019-12-12 11:34
121,500	44,022	57,328	76,856	0,503	0,506	11003,488	11313,496	36,950	10,270	10,313	5,178	52,664	9,369	962,974	2019-12-12 11:35
121,833	44,011	57,328	76,891	0,503	0,506	11006,374	11326,365	34,273	10,270	10,375	5,131	53,141	9,411	962,848	2019-12-12 11:35
122,167	44,015	57,320	76,846	0,503	0,506	11004,965	11306,646	34,259	10,273	10,357	5,111	53,080	9,406	962,847	2019-12-12 11:35

Pellematic 56_cat II_run 2_191212.Dat

Category: II

	301	302	304	305	306	308	317	1311	1312	1313	1314	1315	1316	1317	1318	1101	1102
Mättid	CO chimney	CO2 chimney	Pdyn	Pstat	Static pressure chimney	O2 chimney	Våg	Flue gas temp	Ambient	Flue gas at pitot	filter temp 1	filter temp 2	gas meter temp 1	gas meter temp 2	gasmeter temp ambient		T4 outlet load side
Minuter	VDC	VDC	VDC	VDC	VDC	VDC	VDC	°C	°C	°C	°C	°C	°C	°C	°C	°C	°C
122,500	0,212	0,613	1,330	0,128	0,015	0,343	1,406	75,290	19,730	23,022	20,807	20,440	20,307	20,255	20,484	20,304	63,019
122,834	0,213	0,612	1,328	0,128	0,011	0,345	1,406	75,311	19,727	22,984	20,818	20,471	20,309	20,240	20,492	20,301	63,023
123,167	0,212	0,605	1,321	0,127	0,010	0,351	1,406	75,330	19,697	22,995	20,902	20,492	20,304	20,265	20,505	20,307	63,034
123,500	0,212	0,596	1,320	0,128	0,013	0,357	1,406	75,332	19,766	22,962	20,936	20,503	20,298	20,249	20,511	20,307	63,032
123,834	0,212	0,592	1,323	0,128	0,017	0,361	1,405	75,354	19,663	22,853	20,924	20,509	20,286	20,247	20,518	20,295	63,037
124,167	0,217	0,592	1,320	0,129	0,016	0,363	1,405	75,294	19,726	22,892	20,964	20,568	20,304	20,262	20,545	20,313	63,048
124,500	0,214	0,573	1,321	0,128	0,011	0,380	1,405	75,299	19,762	22,802	20,952	20,542	20,283	20,250	20,547	20,295	63,029
124,833	0,216	0,571	1,328	0,129	0,013	0,381	1,404	75,263	19,761	22,775	20,952	20,559	20,290	20,250	20,559	20,297	63,038
125,167	0,216	0,569	1,329	0,128	0,011	0,383	1,404	75,277	19,803	22,782	20,970	20,571	20,284	20,264	20,601	20,301	63,040
125,500	0,217	0,562	1,336	0,129	0,016	0,388	1,404	75,144	19,800	22,797	20,994	20,569	20,285	20,260	20,603	20,299	63,037
125,833	0,217	0,558	1,314	0,128	0,016	0,392	1,404	75,122	19,797	22,821	21,014	20,578	20,279	20,258	20,633	20,297	63,021
126,167	0,216	0,563	1,321	0,127	0,016	0,387	1,404	75,075	19,777	22,801	21,016	20,591	20,281	20,260	20,657	20,297	62,397
126,500	0,216	0,568	1,327	0,129	0,017	0,382	1,404	75,014	19,805	22,771	21,030	20,600	20,283	20,274	20,676	20,301	62,502
126,833	0,217	0,568	1,322	0,128	0,016	0,382	1,404	74,977	19,837	22,759	21,027	20,597	20,281	20,267	20,708	20,299	62,820
127,167	0,216	0,566	1,330	0,128	0,021	0,384	1,404	74,912	19,897	22,832	21,048	20,628	20,289	20,281	20,739	20,301	63,107
127,500	0,214	0,561	1,328	0,128	0,017	0,388	1,404	74,862	19,888	22,937	21,088	20,653	20,297	20,274	20,788	20,315	63,046
127,833	0,211	0,562	1,322	0,128	0,008	0,385	1,403	74,802	19,880	22,993	21,098	20,666	20,302	20,279	20,824	20,315	63,006
128,167	0,211	0,571	1,319	0,128	0,012	0,378	1,403	74,763	19,869	23,042	21,107	20,680	20,294	20,285	20,846	20,309	62,978
128,500	0,212	0,571	1,322	0,128	0,014	0,379	1,403	74,795	19,843	23,042	21,108	20,680	20,285	20,276	20,879	20,301	62,968
128,834	0,213	0,576	1,325	0,127	0,016	0,374	1,403	74,821	19,835	23,058	21,123	20,674	20,277	20,278	20,928	20,297	62,947
129,167	0,213	0,580	1,302	0,127	0,011	0,371	1,403	74,838	19,774	23,026	21,117	20,693	20,285	20,275	20,939	20,293	62,913
129,500	0,213	0,582	1,305	0,129	0,013	0,369	1,403	74,833	19,761	23,040	21,129	20,687	20,277	20,278	20,992	20,301	62,912
129,834	0,214	0,585	1,310	0,126	0,009	0,366	1,403	74,864	19,811	22,998	21,125	20,686	20,281	20,280	21,045	20,304	62,882
130,167	0,215	0,589	1,320	0,128	0,018	0,363	1,403	74,846	19,815	23,010	21,140	20,719	20,285	20,284	21,084	20,309	62,843
130,500	0,214	0,588	1,320	0,128	0,021	0,365	1,402	74,875	19,832	23,043	21,161	20,730	20,295	20,293	21,135	20,311	62,839
130,834	0,214	0,584	1,322	0,127	0,013	0,368	1,402	74,827	19,830	23,044	21,158	20,726	20,272	20,284	21,169	20,301	62,831
131,167	0,214	0,586	1,316	0,127	0,008	0,366	1,401	74,825	19,846	23,028	21,159	20,746	20,281	20,281	21,205	20,301	62,798
131,500	0,215	0,595	1,329	0,128	0,015	0,358	1,401	74,835	19,823	23,045	21,176	20,750	20,268	20,283	21,264	20,297	63,360
131,833	0,215	0,601	1,337	0,128	0,015	0,353	1,401	74,840	19,857	23,053	21,192	20,772	20,294	20,295	21,308	20,306	63,276
132,167	0,215	0,604	1,335	0,126	0,017	0,351	1,401	74,880	19,864	23,052	21,205	20,776	20,288	20,297	21,361	20,307	63,236
132,500	0,215	0,605	1,325	0,126	0,020	0,349	1,401	74,908	19,869	23,100	21,208	20,767	20,296	20,289	21,403	20,305	63,169
132,833	0,215	0,605	1,327	0,127	0,016	0,350	1,401	74,909	19,829	23,098	21,223	20,779	20,302	20,302	21,469	20,309	63,133
133,167	0,214	0,604	1,319	0,126	0,011	0,352	1,401	74,958	19,784	23,096	21,231	20,774	20,291	20,306	21,516	20,317	63,129
133,500	0,213	0,605	1,313	0,126	0,015	0,350	1,400	74,959	19,685	23,090	21,231	20,788	20,293	20,310	21,570	20,312	63,126
133,833	0,215	0,608	1,312	0,127	0,018	0,347	1,400	74,938	19,715	23,066	21,231	20,796	20,291	20,300	21,613	20,305	63,110
134,167	0,215	0,605	1,311	0,127	0,014	0,351	1,400	74,964	19,779	23,063	21,230	20,803	20,293	20,316	21,674	20,311	62,824
134,500	0,214	0,597	1,318	0,125	0,009	0,357	1,400	74,951	19,826	23,069	21,247	20,825	20,312	20,314	21,747	20,319	62,519

Pellematic 56_cat II_run 2_191212.Dat

Category: II

	1103	1108	1109	130	230	101	102	1	2	3	6	7	8	11	
Mättid	T3 inlet load side	T2 inlet boiler	T1 outlet boiler	Flow load side	Flow boiler side	Heat output load side	Heat output boiler	CO chimney	CO2 chimney	O2 chimney	Pstat	Pdyn	Tunnel velocity	Våg	Tidpunkt
Minuter	°C	°C	°C	m³/h	m³/h	W	W	ppm	%	%	Pa	Pa	m/s	kg	Klockan
122,500	44,023	57,312	76,864	0,504	0,506	11006,190	11328,536	34,023	10,343	10,295	5,139	53,324	9,427	962,848	2019-12-12 11:36
122,834	44,033	57,319	76,835	0,504	0,506	11004,742	11315,515	34,523	10,273	10,338	5,126	53,118	9,409	962,848	2019-12-12 11:36
123,167	44,043	57,329	76,849	0,503	0,505	10994,478	11284,593	32,838	10,054	10,543	5,071	52,630	9,366	962,848	2019-12-12 11:36
123,500	44,054	57,318	76,830	0,503	0,506	10993,693	11297,020	32,667	9,874	10,722	5,128	52,926	9,392	962,848	2019-12-12 11:37
123,834	44,064	57,326	76,856	0,503	0,505	10991,202	11298,561	34,787	9,795	10,842	5,107	52,924	9,392	962,849	2019-12-12 11:37
124,167	44,068	57,332	76,831	0,504	0,505	10996,449	11281,244	48,202	9,712	10,884	5,172	53,046	9,403	962,753	2019-12-12 11:37
124,500	44,075	57,332	76,812	0,504	0,505	10985,381	11267,541	35,759	9,280	11,385	5,115	52,796	9,380	962,848	2019-12-12 11:38
124,833	44,082	57,337	76,797	0,503	0,506	10978,411	11271,093	44,339	9,257	11,416	5,146	53,006	9,399	962,754	2019-12-12 11:38
125,167	44,083	57,345	76,801	0,504	0,506	10982,800	11264,341	44,011	9,209	11,480	5,129	53,212	9,417	962,754	2019-12-12 11:38
125,500	44,071	57,348	76,773	0,503	0,505	10977,557	11234,050	45,183	9,024	11,626	5,154	53,517	9,444	962,754	2019-12-12 11:39
125,833	44,065	57,344	76,775	0,503	0,506	10980,374	11268,582	43,920	8,949	11,757	5,138	52,683	9,370	962,754	2019-12-12 11:39
126,167	44,060	57,336	76,757	0,504	0,505	10636,847	11239,459	41,903	9,112	11,617	5,078	52,977	9,397	962,754	2019-12-12 11:39
126,500	44,052	57,425	76,687	0,503	0,506	10680,640	11160,357	42,990	9,235	11,462	5,165	53,031	9,401	962,754	2019-12-12 11:40
126,833	44,051	57,614	76,689	0,504	0,506	10877,323	11062,191	47,535	9,192	11,463	5,115	53,071	9,405	962,753	2019-12-12 11:40
127,167	44,052	57,649	76,679	0,504	0,507	11043,864	11056,879	41,577	9,120	11,529	5,121	53,262	9,422	962,754	2019-12-12 11:40
127,500	44,067	57,484	76,627	0,503	0,505	10994,988	11065,118	34,699	8,988	11,650	5,102	53,374	9,432	962,754	2019-12-12 11:41
127,833	44,084	57,346	76,546	0,503	0,505	10956,109	11105,222	31,168	9,116	11,559	5,114	52,647	9,367	962,661	2019-12-12 11:41
128,167	44,112	57,265	76,522	0,503	0,505	10923,614	11143,411	31,837	9,294	11,336	5,130	52,667	9,369	962,660	2019-12-12 11:41
128,500	44,128	57,233	76,503	0,504	0,505	10918,383	11145,249	34,011	9,276	11,357	5,139	52,863	9,386	962,660	2019-12-12 11:42
128,834	44,139	57,226	76,400	0,503	0,506	10888,581	11114,165	35,277	9,431	11,217	5,076	53,168	9,413	962,661	2019-12-12 11:42
129,167	44,143	57,220	76,394	0,503	0,506	10870,335	11109,588	36,539	9,537	11,125	5,073	51,965	9,306	962,660	2019-12-12 11:42
129,500	44,139	57,220	76,358	0,504	0,505	10878,329	11071,755	35,096	9,537	11,079	5,146	52,478	9,352	962,661	2019-12-12 11:43
129,834	44,128	57,205	76,323	0,504	0,506	10868,654	11068,504	38,466	9,669	10,986	5,055	52,349	9,341	962,660	2019-12-12 11:43
130,167	44,109	57,181	76,275	0,504	0,506	10855,133	11060,908	40,568	9,734	10,900	5,102	52,777	9,379	962,660	2019-12-12 11:43
130,500	44,085	57,166	76,244	0,503	0,505	10859,077	11030,377	38,803	9,685	10,947	5,136	53,016	9,400	962,567	2019-12-12 11:44
130,834	44,064	57,144	76,232	0,503	0,506	10870,907	11062,977	38,374	9,570	11,052	5,072	52,857	9,386	962,566	2019-12-12 11:44
131,167	44,045	57,113	76,205	0,503	0,506	10848,990	11069,617	38,883	9,703	10,979	5,095	52,749	9,376	962,566	2019-12-12 11:44
131,500	44,034	57,100	76,180	0,504	0,506	11199,863	11055,229	41,928	9,932	10,733	5,103	53,152	9,412	962,566	2019-12-12 11:45
131,833	44,028	56,979	76,176	0,503	0,506	11150,507	11130,743	39,812	10,057	10,589	5,106	53,727	9,463	962,566	2019-12-12 11:45
132,167	44,032	56,784	76,178	0,503	0,505	11121,014	11209,699	40,066	10,091	10,518	5,031	53,544	9,447	962,567	2019-12-12 11:45
132,500	44,034	56,645	76,165	0,503	0,505	11085,908	11284,580	42,328	10,127	10,482	5,036	53,047	9,403	962,566	2019-12-12 11:46
132,833	44,033	56,582	76,156	0,504	0,506	11067,619	11347,319	40,317	10,139	10,498	5,087	53,211	9,417	962,566	2019-12-12 11:46
133,167	44,036	56,587	76,163	0,503	0,506	11051,922	11337,523	37,543	10,080	10,548	5,053	52,409	9,346	962,567	2019-12-12 11:46
133,500	44,035	56,603	76,159	0,503	0,505	11058,002	11301,639	35,774	10,150	10,508	5,032	52,483	9,353	962,475	2019-12-12 11:47
133,833	44,040	56,590	76,137	0,503	0,506	11047,003	11334,145	41,233	10,202	10,403	5,073	52,259	9,333	962,474	2019-12-12 11:47
134,167	44,047	56,588	76,163	0,504	0,505	10882,908	11321,269	39,475	10,074	10,518	5,079	52,480	9,352	962,474	2019-12-12 11:47
134,500	44,052	56,606	76,128	0,503	0,505	10696,642	11301,517	38,338	9,882	10,712	4,999	53,098	9,407	962,474	2019-12-12 11:48

Pellematic 56_cat II_run 2_191212.Dat

Category: II

	301	302	304	305	306	308	317	1311	1312	1313	1314	1315	1316	1317	1318	1101	1102
Mättid	CO chimney	CO2 chimney	Pdyn	Pstat	Static pressure chimney	O2 chimney	Våg	Flue gas temp	Ambient	Flue gas at pitot	filter temp 1	filter temp 2	gas meter temp 1	gas meter temp 2	gasmeter temp ambient		T4 outlet load side
Minuter	VDC	VDC	VDC	VDC	VDC	VDC	VDC	°C	°C	°C	°C	°C	°C	°C	°C	°C	°C
134,833	0,215	0,594	1,337	0,128	0,018	0,360	1,400	74,919	19,739	23,055	21,237	20,804	20,277	20,306	21,777	20,302	62,652
135,167	0,214	0,585	1,330	0,128	0,016	0,368	1,400	74,918	19,708	23,098	21,255	20,818	20,295	20,320	21,854	20,316	62,682
135,500	0,213	0,574	1,314	0,127	0,015	0,378	1,400	74,933	19,714	23,070	21,252	20,831	20,288	20,308	21,899	20,308	62,917
135,834	0,214	0,574	1,328	0,127	0,019	0,377	1,399	74,918	19,780	23,017	21,245	20,806	20,282	20,302	21,947	20,301	63,235
136,167	0,214	0,582	1,310	0,128	0,018	0,369	1,400	74,927	19,803	23,008	21,246	20,809	20,285	20,309	22,007	20,297	63,178
136,500	0,215	0,591	1,319	0,128	0,013	0,363	1,398	74,927	19,839	23,042	21,263	20,846	20,299	20,319	22,083	20,310	63,141
136,834	0,214	0,585	1,326	0,127	0,012	0,369	1,398	74,951	19,757	23,048	21,282	20,838	20,297	20,319	22,146	20,312	63,131
137,167	0,213	0,580	1,339	0,128	0,011	0,372	1,398	74,946	19,749	22,998	21,257	20,840	20,287	20,315	22,200	20,297	63,110
137,500	0,214	0,581	1,320	0,127	0,014	0,371	1,398	74,924	19,809	22,967	21,272	20,844	20,299	20,318	22,271	20,304	63,104
137,834	0,214	0,579	1,325	0,127	0,020	0,373	1,398	74,918	19,828	22,967	21,285	20,862	20,302	20,324	22,333	20,309	63,051
138,167	0,215	0,582	1,338	0,127	0,022	0,370	1,398	74,884	19,827	23,012	21,278	20,871	20,306	20,326	22,402	20,309	63,029
138,500	0,215	0,584	1,328	0,127	0,020	0,369	1,398	74,855	19,819	23,045	21,283	20,875	20,299	20,335	22,448	20,311	63,035
138,833	0,215	0,580	1,326	0,129	0,012	0,372	1,398	74,819	19,837	22,939	21,279	20,870	20,298	20,321	22,513	20,304	63,020
139,167	0,216	0,576	1,323	0,128	0,011	0,376	1,398	74,873	19,850	22,886	21,283	20,871	20,299	20,329	22,568	20,307	63,012
139,500	0,218	0,572	1,316	0,128	0,019	0,380	1,397	74,833	19,856	22,921	21,275	20,877	20,296	20,315	22,630	20,301	63,013
139,833	0,215	0,572	1,321	0,128	0,009	0,380	1,396	74,788	19,870	22,988	21,300	20,886	20,304	20,332	22,704	20,307	62,993
140,167	0,215	0,577	1,317	0,125	0,012	0,374	1,396	74,774	19,845	23,005	21,298	20,870	20,292	20,326	22,750	20,300	62,973
140,500	0,215	0,587	1,324	0,129	0,012	0,364	1,396	74,799	19,874	23,004	21,298	20,894	20,304	20,333	22,812	20,302	62,961
140,833	0,215	0,595	1,335	0,128	0,013	0,358	1,396	74,778	19,897	23,030	21,313	20,900	20,302	20,335	22,874	20,309	62,925
141,167	0,214	0,601	1,327	0,127	0,007	0,353	1,396	74,740	19,892	23,047	21,306	20,900	20,311	20,338	22,937	20,305	62,904
141,500	0,214	0,601	1,317	0,128	0,020	0,353	1,396	74,756	19,861	23,037	21,311	20,900	20,298	20,341	22,995	20,303	62,886
141,833	0,215	0,597	1,324	0,129	0,017	0,357	1,395	74,773	19,878	23,026	21,321	20,910	20,310	20,337	23,051	20,307	62,850
142,167	0,216	0,599	1,328	0,129	0,015	0,355	1,395	74,774	19,903	23,012	21,317	20,900	20,304	20,353	23,123	20,308	62,850
142,500	0,215	0,594	1,332	0,126	0,009	0,360	1,395	74,788	19,890	23,037	21,335	20,927	20,317	20,354	23,190	20,312	62,833
142,834	0,214	0,588	1,329	0,126	0,018	0,365	1,395	74,772	19,891	23,040	21,330	20,912	20,313	20,359	23,248	20,305	62,815
143,167	0,213	0,583	1,324	0,128	0,016	0,369	1,395	74,802	19,890	23,013	21,322	20,902	20,302	20,338	23,305	20,301	62,806
143,500	0,212	0,577	1,320	0,127	0,013	0,374	1,395	74,779	19,912	23,019	21,328	20,894	20,314	20,346	23,365	20,304	62,833
143,834	0,213	0,578	1,321	0,127	0,016	0,373	1,394	74,783	19,817	23,023	21,338	20,915	20,319	20,360	23,445	20,308	62,851
144,167	0,213	0,583	1,334	0,126	0,018	0,368	1,394	74,766	19,788	23,015	21,335	20,919	20,324	20,356	23,506	20,311	62,872
144,500	0,215	0,592	1,331	0,128	0,015	0,360	1,394	74,763	19,797	23,018	21,343	20,911	20,327	20,363	23,565	20,311	62,861
144,833	0,216	0,596	1,318	0,127	0,016	0,358	1,393	74,777	19,732	23,006	21,346	20,926	20,341	20,370	23,634	20,313	62,868
145,167	0,215	0,590	1,319	0,127	0,016	0,363	1,394	74,756	19,809	22,982	21,341	20,918	20,326	20,356	23,698	20,310	62,875
145,500	0,214	0,586	1,328	0,126	0,018	0,366	1,394	74,761	19,837	23,008	21,343	20,946	20,335	20,363	23,768	20,312	62,859
145,833	0,213	0,590	1,326	0,127	0,013	0,362	1,394	74,739	19,842	23,028	21,355	20,962	20,336	20,378	23,851	20,321	62,846
146,167	0,213	0,592	1,330	0,126	0,019	0,361	1,393	74,712	19,856	23,041	21,362	20,957	20,339	20,368	23,905	20,313	63,387
146,500	0,214	0,593	1,316	0,127	0,014	0,360	1,393	74,758	19,867	23,027	21,364	20,952	20,347	20,388	24,001	20,329	63,317
146,833	0,215	0,599	1,319	0,128	0,010	0,355	1,392	74,745	19,891	23,017	21,380	20,967	20,356	20,390	24,052	20,331	63,258

Pellematic 56_cat II_run 2_191212.Dat

Category: II

	1103	1108	1109	130	230	101	102	1	2	3	6	7	8	11	
Mättid	T3 inlet load side	T2 inlet boiler	T1 outlet boiler	Flow load side	Flow boiler side	Heat output load side	Heat output boiler	CO chimney	CO2 chimney	O2 chimney	Pstat	Pdyn	Tunnel velocity	Våg	Tidpunkt
Minuter	°C	°C	°C	m³/h	m³/h	W	W	ppm	%	%	Pa	Pa	m/s	kg	Klockan
134,833	44,046	56,786	76,110	0,503	0,505	10776,284	11185,553	41,404	9,815	10,799	5,102	53,762	9,466	962,475	2019-12-12 11:48
135,167	44,057	56,919	76,138	0,504	0,505	10793,899	11113,552	37,374	9,547	11,054	5,119	52,952	9,394	962,567	2019-12-12 11:48
135,500	44,048	56,934	76,094	0,504	0,505	10938,795	11074,756	35,250	9,298	11,340	5,080	52,361	9,342	962,474	2019-12-12 11:49
135,834	44,050	56,917	76,105	0,504	0,505	11115,654	11101,815	38,216	9,388	11,299	5,097	53,165	9,413	962,475	2019-12-12 11:49
136,167	44,041	56,755	76,072	0,503	0,506	11084,295	11188,140	39,557	9,616	11,080	5,112	52,279	9,334	962,474	2019-12-12 11:49
136,500	44,042	56,621	76,081	0,504	0,506	11067,523	11279,633	39,728	9,780	10,880	5,110	52,881	9,388	962,349	2019-12-12 11:50
136,834	44,046	56,556	76,063	0,503	0,505	11051,003	11288,420	37,463	9,540	11,067	5,080	53,114	9,409	962,349	2019-12-12 11:50
137,167	44,046	56,523	76,042	0,503	0,505	11038,255	11299,415	36,455	9,507	11,152	5,118	53,659	9,457	962,349	2019-12-12 11:50
137,500	44,059	56,499	76,010	0,504	0,506	11039,228	11305,105	38,137	9,512	11,129	5,083	52,388	9,344	962,348	2019-12-12 11:51
137,834	44,066	56,494	75,980	0,503	0,505	10997,429	11273,899	38,049	9,451	11,202	5,091	53,449	9,438	962,349	2019-12-12 11:51
138,167	44,076	56,501	75,937	0,503	0,506	10973,591	11254,418	40,754	9,611	11,095	5,087	53,298	9,425	962,349	2019-12-12 11:51
138,500	44,088	56,517	75,907	0,503	0,506	10972,525	11239,731	40,812	9,610	11,061	5,071	52,790	9,380	962,349	2019-12-12 11:52
138,833	44,092	56,523	75,901	0,504	0,507	10967,534	11248,651	40,144	9,435	11,169	5,151	52,983	9,397	962,349	2019-12-12 11:52
139,167	44,101	56,539	75,883	0,503	0,506	10948,338	11220,368	45,214	9,390	11,273	5,132	52,554	9,359	962,349	2019-12-12 11:52
139,500	44,092	56,545	75,877	0,503	0,506	10960,771	11205,594	47,875	9,283	11,387	5,132	52,698	9,372	962,254	2019-12-12 11:53
139,833	44,087	56,541	75,832	0,503	0,506	10952,502	11172,666	39,892	9,303	11,391	5,110	53,071	9,405	962,254	2019-12-12 11:53
140,167	44,070	56,514	75,807	0,503	0,505	10931,905	11153,722	40,399	9,487	11,213	5,017	52,919	9,391	962,254	2019-12-12 11:53
140,500	44,052	56,487	75,776	0,503	0,506	10947,961	11178,556	41,318	9,727	10,932	5,158	53,142	9,411	962,255	2019-12-12 11:54
140,833	44,039	56,482	75,740	0,504	0,505	10942,005	11138,164	38,640	9,917	10,748	5,127	53,435	9,437	962,254	2019-12-12 11:54
141,167	44,030	56,461	75,730	0,504	0,506	10938,450	11171,023	36,698	10,061	10,594	5,079	52,854	9,386	962,254	2019-12-12 11:54
141,500	44,008	56,443	75,691	0,503	0,505	10929,851	11133,729	37,956	10,011	10,599	5,101	52,791	9,380	962,255	2019-12-12 11:55
141,833	43,999	56,425	75,673	0,503	0,505	10907,211	11134,981	40,308	9,924	10,697	5,151	53,018	9,400	962,161	2019-12-12 11:55
142,167	43,985	56,414	75,698	0,503	0,506	10918,700	11174,463	44,282	9,970	10,654	5,146	52,961	9,395	962,255	2019-12-12 11:55
142,500	43,984	56,394	75,685	0,503	0,505	10904,044	11161,314	38,965	9,805	10,794	5,059	53,354	9,430	962,160	2019-12-12 11:56
142,834	43,981	56,371	75,658	0,503	0,505	10906,293	11166,277	35,865	9,645	10,959	5,043	53,179	9,414	962,254	2019-12-12 11:56
143,167	43,991	56,360	75,616	0,504	0,505	10902,594	11144,166	35,799	9,532	11,082	5,122	52,811	9,382	962,161	2019-12-12 11:56
143,500	44,005	56,347	75,587	0,503	0,505	10900,000	11139,571	34,097	9,393	11,230	5,093	52,634	9,366	962,161	2019-12-12 11:57
143,834	44,030	56,328	75,584	0,503	0,506	10901,266	11151,630	34,434	9,470	11,182	5,096	53,132	9,410	962,067	2019-12-12 11:57
144,167	44,070	56,297	75,539	0,503	0,505	10892,187	11130,736	37,211	9,650	11,028	5,030	53,264	9,422	962,161	2019-12-12 11:57
144,500	44,102	56,266	75,497	0,504	0,505	10873,347	11123,099	41,072	9,880	10,798	5,113	53,272	9,423	962,161	2019-12-12 11:58
144,833	44,135	56,249	75,500	0,504	0,505	10853,043	11140,051	43,002	9,877	10,728	5,069	52,561	9,360	962,067	2019-12-12 11:58
145,167	44,155	56,245	75,504	0,504	0,505	10847,089	11138,301	40,405	9,720	10,890	5,088	52,792	9,380	962,067	2019-12-12 11:58
145,500	44,171	56,256	75,441	0,503	0,505	10825,808	11100,027	35,865	9,669	10,966	5,041	53,279	9,423	962,067	2019-12-12 11:59
145,833	44,170	56,259	75,427	0,503	0,505	10813,378	11093,024	35,434	9,793	10,871	5,090	53,004	9,399	962,161	2019-12-12 11:59
146,167	44,157	56,253	75,415	0,504	0,506	11143,523	11103,419	35,443	9,808	10,829	5,037	53,175	9,414	962,067	2019-12-12 11:59
146,500	44,139	56,158	75,416	0,504	0,505	11112,005	11142,176	36,619	9,868	10,795	5,080	52,337	9,340	962,067	2019-12-12 12:00
146,833	44,107	56,006	75,421	0,503	0,505	11092,489	11227,670	41,824	9,947	10,653	5,121	52,928	9,392	961,974	2019-12-12 12:00

Pellematic 56_cat II_run 2_191212.Dat

Category: II

	301	302	304	305	306	308	317	1311	1312	1313	1314	1315	1316	1317	1318	1101	1102
Mättid	CO chimney	CO2 chimney	Pdyn	Pstat	Static pressure chimney	O2 chimney	Våg	Flue gas temp	Ambient	Flue gas at pitot	filter temp 1	filter temp 2	gas meter temp 1	gas meter temp 2	gasmeter temp ambient		T4 outlet load side
Minuter	VDC	VDC	VDC	VDC	VDC	VDC	VDC	°C	°C	°C	°C	°C	°C	°C	°C	°C	°C
147,167	0,216	0,593	1,339	0,126	0,016	0,360	1,392	74,755	19,884	23,030	21,369	20,958	20,354	20,388	24,122	20,325	63,225
147,500	0,216	0,588	1,325	0,127	0,014	0,365	1,392	74,789	19,916	23,066	21,390	20,997	20,355	20,402	24,197	20,337	63,172
147,833	0,216	0,584	1,326	0,128	0,019	0,368	1,392	74,785	19,906	23,011	21,379	20,958	20,352	20,396	24,235	20,329	63,092
148,167	0,214	0,583	1,324	0,128	0,009	0,369	1,392	74,767	19,794	23,032	21,369	20,967	20,350	20,388	24,302	20,323	63,082
148,500	0,213	0,577	1,316	0,128	0,016	0,374	1,392	74,741	19,789	23,036	21,369	20,962	20,352	20,390	24,367	20,325	63,071
148,833	0,212	0,572	1,313	0,128	0,015	0,379	1,392	74,792	19,875	23,008	21,379	20,989	20,376	20,421	24,454	20,342	63,054
149,167	0,212	0,575	1,328	0,127	0,021	0,375	1,392	74,739	19,874	22,983	21,358	20,978	20,351	20,397	24,499	20,323	63,051
149,500	0,212	0,577	1,315	0,127	0,019	0,375	1,392	74,720	19,882	23,056	21,366	20,978	20,354	20,397	24,542	20,319	63,039
149,834	0,210	0,568	1,317	0,127	0,010	0,381	1,392	74,738	19,785	23,054	21,369	20,959	20,358	20,403	24,615	20,323	63,021
150,167	0,211	0,575	1,323	0,127	0,009	0,375	1,392	74,729	19,785	23,041	21,382	20,944	20,354	20,403	24,665	20,321	63,012
150,500	0,213	0,588	1,322	0,127	0,019	0,363	1,391	74,734	19,818	23,040	21,381	20,979	20,375	20,421	24,745	20,334	63,025
150,834	0,214	0,593	1,325	0,126	0,015	0,360	1,390	74,767	19,827	23,008	21,378	20,969	20,364	20,419	24,790	20,327	63,001
151,167	0,215	0,594	1,323	0,128	0,017	0,359	1,390	74,780	19,837	22,982	21,369	20,975	20,366	20,418	24,865	20,327	62,990
151,500	0,213	0,590	1,329	0,127	0,016	0,363	1,391	74,773	19,850	22,995	21,380	20,979	20,368	20,426	24,931	20,331	63,006
151,833	0,213	0,592	1,322	0,127	0,009	0,361	1,390	74,735	19,856	23,004	21,381	20,981	20,365	20,426	24,982	20,332	62,980
152,167	0,213	0,595	1,314	0,127	0,012	0,359	1,390	74,731	19,853	22,964	21,372	20,973	20,369	20,434	25,036	20,325	62,962
152,500	0,213	0,595	1,320	0,128	0,011	0,358	1,390	74,753	19,855	22,970	21,377	20,985	20,361	20,420	25,096	20,321	62,961
152,833	0,213	0,601	1,321	0,127	0,017	0,354	1,390	74,718	19,819	22,997	21,370	20,988	20,348	20,419	25,153	20,313	62,963
153,167	0,213	0,601	1,317	0,125	0,015	0,354	1,390	74,700	19,834	23,037	21,388	21,006	20,365	20,437	25,217	20,325	62,958
153,500	0,212	0,597	1,313	0,127	0,024	0,357	1,388	74,698	19,853	23,039	21,378	20,997	20,363	20,431	25,258	20,319	62,926
153,833	0,212	0,593	1,331	0,127	0,010	0,361	1,388	74,687	19,888	23,029	21,386	21,000	20,377	20,437	25,321	20,325	62,908
154,167	0,212	0,583	1,328	0,128	0,005	0,370	1,388	74,650	19,884	23,032	21,397	21,007	20,381	20,451	25,379	20,333	62,904
154,500	0,211	0,572	1,323	0,128	0,011	0,380	1,388	74,640	19,902	23,029	21,397	20,993	20,380	20,439	25,431	20,327	62,875
154,833	0,211	0,569	1,332	0,127	0,014	0,380	1,388	74,635	19,906	23,024	21,382	20,988	20,368	20,439	25,470	20,324	62,868
155,167	0,211	0,571	1,323	0,128	0,017	0,379	1,388	74,632	19,824	23,056	21,386	20,987	20,379	20,433	25,518	20,324	62,851
155,500	0,212	0,572	1,326	0,127	0,009	0,379	1,388	74,590	19,840	23,031	21,376	20,988	20,375	20,444	25,568	20,319	62,853
155,833	0,213	0,572	1,314	0,127	0,009	0,379	1,387	74,613	19,867	23,033	21,395	20,997	20,373	20,450	25,627	20,325	62,835
156,167	0,213	0,574	1,317	0,125	0,016	0,376	1,387	74,568	19,865	23,056	21,402	20,987	20,369	20,447	25,674	20,320	62,812
156,500	0,212	0,574	1,324	0,126	0,013	0,377	1,387	74,617	19,885	23,034	21,393	20,982	20,367	20,446	25,720	20,318	62,809
156,834	0,211	0,579	1,318	0,127	0,010	0,371	1,387	74,614	19,810	23,055	21,393	20,997	20,370	20,451	25,768	20,319	62,805
157,167	0,212	0,590	1,312	0,128	0,015	0,362	1,387	74,625	19,811	23,075	21,402	21,006	20,384	20,461	25,842	20,324	62,820
157,500	0,214	0,603	1,312	0,126	0,015	0,352	1,387	74,625	19,827	23,031	21,396	21,016	20,373	20,459	25,891	20,323	62,850
157,834	0,216	0,602	1,322	0,125	0,016	0,353	1,387	74,629	19,814	23,027	21,401	21,004	20,382	20,464	25,948	20,325	62,822
158,167	0,215	0,602	1,321	0,125	0,016	0,353	1,387	74,610	19,843	23,037	21,407	21,008	20,379	20,465	26,009	20,326	62,809
158,500	0,216	0,605	1,329	0,127	0,018	0,350	1,386	74,569	19,863	23,042	21,411	21,025	20,395	20,474	26,063	20,335	63,086
158,833	0,215	0,603	1,337	0,129	0,015	0,352	1,386	74,576	19,886	23,050	21,412	21,027	20,396	20,478	26,127	20,336	63,288
159,167	0,213	0,599	1,334	0,128	0,011	0,355	1,385	74,561	19,886	23,090	21,422	21,034	20,399	20,484	26,180	20,336	63,225

Pellematic 56_cat II_run 2_191212.Dat

Category: II

	1103	1108	1109	130	230	101	102	1	2	3	6	7	8	11	
Mättid	T3 inlet load side	T2 inlet boiler	T1 outlet boiler	Flow load side	Flow boiler side	Heat output load side	Heat output boiler	CO chimney	CO2 chimney	O2 chimney	Pstat	Pdyn	Tunnel velocity	Våg	Tidpunkt
Minuter	°C	°C	°C	m³/h	m³/h	W	W	ppm	%	%	Pa	Pa	m/s	kg	Klockan
147,167	44,072	55,896	75,340	0,503	0,505	11088,177	11247,505	43,241	9,804	10,807	5,046	53,465	9,440	961,974	2019-12-12 12:00
147,500	44,044	55,840	75,338	0,503	0,505	11077,300	11282,787	42,827	9,671	10,940	5,096	53,081	9,406	961,975	2019-12-12 12:01
147,833	44,011	55,808	75,344	0,503	0,505	11043,338	11305,592	41,711	9,600	11,055	5,139	53,328	9,428	961,974	2019-12-12 12:01
148,167	43,989	55,796	75,325	0,503	0,505	11049,953	11292,631	36,953	9,545	11,059	5,105	52,905	9,390	961,975	2019-12-12 12:01
148,500	43,971	55,797	75,318	0,503	0,505	11065,279	11286,918	34,705	9,403	11,210	5,128	52,605	9,363	961,974	2019-12-12 12:02
148,833	43,966	55,774	75,269	0,503	0,505	11047,575	11273,819	33,681	9,262	11,368	5,120	52,296	9,336	961,974	2019-12-12 12:02
149,167	43,963	55,754	75,254	0,503	0,506	11044,272	11301,859	33,514	9,440	11,235	5,076	53,076	9,405	961,975	2019-12-12 12:02
149,500	43,963	55,762	75,255	0,503	0,505	11049,580	11283,631	31,496	9,364	11,235	5,069	52,351	9,341	961,975	2019-12-12 12:03
149,834	43,965	55,744	75,241	0,503	0,505	11027,347	11278,383	28,393	9,194	11,441	5,099	52,905	9,390	961,974	2019-12-12 12:03
150,167	43,974	55,733	75,196	0,503	0,505	11025,300	11260,797	31,918	9,454	11,237	5,084	52,939	9,393	961,974	2019-12-12 12:03
150,500	43,993	55,735	75,178	0,503	0,506	11017,920	11276,974	35,528	9,771	10,894	5,078	53,038	9,402	961,974	2019-12-12 12:04
150,834	44,015	55,738	75,171	0,503	0,504	10979,387	11222,744	39,803	9,835	10,799	5,025	52,751	9,376	961,848	2019-12-12 12:04
151,167	44,028	55,715	75,147	0,502	0,505	10964,389	11251,276	39,939	9,835	10,757	5,108	52,782	9,379	961,849	2019-12-12 12:04
151,500	44,047	55,725	75,205	0,504	0,504	10989,386	11243,499	36,197	9,750	10,876	5,084	52,971	9,396	961,849	2019-12-12 12:05
151,833	44,064	55,708	75,142	0,504	0,505	10958,693	11237,350	36,117	9,804	10,828	5,074	52,632	9,366	961,848	2019-12-12 12:05
152,167	44,078	55,697	75,114	0,503	0,504	10924,582	11218,747	35,783	9,900	10,764	5,090	52,649	9,367	961,849	2019-12-12 12:05
152,500	44,087	55,714	75,073	0,503	0,505	10924,226	11196,370	36,029	9,890	10,740	5,109	52,823	9,383	961,849	2019-12-12 12:06
152,833	44,090	55,726	75,060	0,503	0,506	10930,135	11217,811	36,540	10,032	10,606	5,086	52,554	9,359	961,849	2019-12-12 12:06
153,167	44,092	55,745	75,020	0,503	0,504	10913,075	11136,674	35,867	10,018	10,632	5,019	53,025	9,401	961,849	2019-12-12 12:06
153,500	44,080	55,729	75,010	0,503	0,504	10899,007	11131,424	33,681	9,906	10,719	5,077	52,738	9,375	961,755	2019-12-12 12:07
153,833	44,068	55,709	74,943	0,503	0,505	10905,887	11134,506	34,190	9,801	10,817	5,086	53,217	9,418	961,755	2019-12-12 12:07
154,167	44,060	55,706	74,983	0,503	0,506	10916,588	11171,598	31,413	9,486	11,108	5,110	52,845	9,385	961,755	2019-12-12 12:07
154,500	44,047	55,700	74,919	0,503	0,504	10900,981	11102,892	30,487	9,238	11,397	5,106	53,111	9,408	961,755	2019-12-12 12:08
154,833	44,054	55,684	74,923	0,503	0,505	10898,268	11121,914	29,323	9,258	11,415	5,065	53,318	9,427	961,755	2019-12-12 12:08
155,167	44,050	55,661	74,884	0,502	0,503	10862,100	11088,533	30,237	9,298	11,365	5,100	52,945	9,394	961,754	2019-12-12 12:08
155,500	44,050	55,643	74,870	0,503	0,504	10875,405	11108,076	33,769	9,279	11,355	5,074	52,873	9,387	961,755	2019-12-12 12:09
155,833	44,054	55,644	74,826	0,503	0,506	10869,549	11112,773	36,455	9,300	11,356	5,085	52,395	9,345	961,661	2019-12-12 12:09
156,167	44,042	55,650	74,826	0,503	0,505	10857,083	11089,922	36,288	9,366	11,283	5,005	52,923	9,392	961,661	2019-12-12 12:09
156,500	44,030	55,637	74,818	0,502	0,505	10847,674	11096,006	30,517	9,357	11,298	5,045	53,202	9,416	961,661	2019-12-12 12:10
156,834	44,025	55,629	74,787	0,503	0,504	10868,248	11063,632	31,381	9,559	11,144	5,089	52,757	9,377	961,661	2019-12-12 12:10
157,167	44,021	55,614	74,773	0,503	0,505	10877,095	11085,983	33,585	9,825	10,869	5,109	52,536	9,357	961,661	2019-12-12 12:10
157,500	44,020	55,594	74,735	0,503	0,505	10897,854	11070,708	40,705	10,117	10,547	5,056	52,425	9,347	961,661	2019-12-12 12:11
157,834	44,018	55,554	74,708	0,502	0,505	10871,628	11092,624	42,882	10,014	10,594	5,008	52,867	9,387	961,661	2019-12-12 12:11
158,167	44,021	55,533	74,700	0,502	0,505	10862,976	11092,810	41,825	10,045	10,585	5,009	53,000	9,399	961,661	2019-12-12 12:11
158,500	44,030	55,512	74,697	0,503	0,505	11027,420	11096,741	42,408	10,148	10,489	5,094	53,511	9,444	961,661	2019-12-12 12:12
158,833	44,039	55,458	74,683	0,503	0,505	11133,094	11117,878	40,472	10,025	10,569	5,154	53,524	9,445	961,567	2019-12-12 12:12
159,167	44,045	55,286	74,660	0,503	0,504	11095,263	11186,361	35,353	9,968	10,642	5,133	53,345	9,429	961,567	2019-12-12 12:12

Pellematic 56_cat II_run 2_191212.Dat

Category: II

	301	302	304	305	306	308	317	1311	1312	1313	1314	1315	1316	1317	1318	1101	1102
Mättid	CO chimney	CO2 chimney	Pdyn	Pstat	Static pressure chimney	O2 chimney	Våg	Flue gas temp	Ambient	Flue gas at pitot	filter temp 1	filter temp 2	gas meter temp 1	gas meter temp 2	gasmeter temp ambient		T4 outlet load side
Minuter	VDC	VDC	VDC	VDC	VDC	VDC	VDC	°C	°C	°C	°C	°C	°C	°C	°C	°C	°C
159,500	0,213	0,601	1,336	0,126	0,007	0,353	1,385	74,542	19,860	23,090	21,424	21,032	20,406	20,497	26,228	20,341	63,185
159,833	0,214	0,601	1,324	0,127	0,018	0,354	1,386	74,559	19,860	23,062	21,412	21,033	20,401	20,480	26,275	20,331	63,106
160,167	0,214	0,593	1,324	0,126	0,009	0,361	1,385	74,522	19,878	23,071	21,427	21,036	20,394	20,494	26,320	20,335	63,097
160,500	0,214	0,593	1,336	0,128	0,013	0,360	1,386	74,503	19,894	23,039	21,422	21,039	20,400	20,493	26,379	20,339	63,101
160,833	0,215	0,596	1,325	0,126	0,019	0,358	1,385	74,527	19,891	23,057	21,418	21,051	20,411	20,494	26,423	20,337	63,085
161,167	0,215	0,591	1,336	0,125	0,011	0,363	1,385	74,513	19,912	23,056	21,428	21,037	20,413	20,502	26,471	20,336	63,062
161,500	0,215	0,586	1,329	0,128	0,010	0,366	1,386	74,513	19,789	23,065	21,434	21,059	20,426	20,525	26,522	20,351	63,059
161,833	0,214	0,583	1,326	0,125	0,012	0,369	1,384	74,484	19,589	23,059	21,435	21,051	20,412	20,513	26,570	20,347	63,046
162,167	0,212	0,581	1,337	0,126	0,013	0,371	1,384	74,467	19,638	23,019	21,417	21,025	20,396	20,497	26,603	20,331	63,043
162,500	0,212	0,579	1,327	0,127	0,019	0,372	1,384	74,474	19,703	22,997	21,414	21,020	20,398	20,503	26,648	20,330	63,039
162,834	0,211	0,578	1,315	0,128	0,016	0,373	1,384	74,459	19,741	22,995	21,414	21,023	20,399	20,509	26,698	20,332	63,032
163,167	0,212	0,580	1,327	0,129	0,013	0,372	1,384	74,473	19,801	23,047	21,434	21,028	20,409	20,507	26,741	20,338	63,027
163,500	0,213	0,580	1,314	0,125	0,015	0,372	1,384	74,440	19,821	23,042	21,422	21,045	20,411	20,517	26,783	20,335	63,014
163,834	0,213	0,578	1,311	0,125	0,008	0,374	1,384	74,421	19,850	23,047	21,426	21,049	20,417	20,528	26,832	20,337	63,014
164,167	0,212	0,574	1,313	0,127	0,014	0,377	1,383	74,429	19,854	23,047	21,426	21,051	20,417	20,514	26,879	20,334	63,001
164,500	0,211	0,568	1,321	0,126	0,021	0,383	1,383	74,450	19,804	23,028	21,427	21,020	20,429	20,525	26,922	20,342	63,003
164,834	0,211	0,563	1,318	0,126	0,018	0,387	1,382	74,420	19,829	23,015	21,422	21,028	20,426	20,517	26,949	20,331	62,976
165,167	0,212	0,563	1,315	0,126	0,014	0,386	1,382	74,427	19,856	23,018	21,430	21,036	20,430	20,534	27,011	20,337	62,967
165,500	0,212	0,570	1,311	0,125	0,009	0,380	1,382	74,415	19,854	23,021	21,441	21,045	20,435	20,537	27,051	20,337	62,960
165,833	0,212	0,570	1,319	0,126	0,012	0,380	1,382	74,386	19,868	23,044	21,435	21,066	20,439	20,542	27,096	20,343	62,936
166,167	0,212	0,573	1,317	0,127	0,020	0,377	1,382	74,337	19,915	23,025	21,431	21,043	20,433	20,529	27,130	20,333	62,903
166,500	0,212	0,581	1,320	0,129	0,019	0,371	1,382	74,303	19,897	23,008	21,422	21,055	20,433	20,531	27,159	20,330	62,881
166,833	0,213	0,584	1,307	0,126	0,019	0,368	1,382	74,309	19,914	23,079	21,433	21,053	20,428	20,535	27,216	20,334	62,873
167,167	0,214	0,585	1,320	0,127	0,016	0,367	1,382	74,301	19,918	23,086	21,442	21,072	20,448	20,545	27,266	20,339	62,845
167,500	0,214	0,591	1,324	0,126	0,019	0,361	1,380	74,296	19,930	23,098	21,437	21,084	20,444	20,547	27,312	20,342	62,835
167,833	0,215	0,595	1,320	0,127	0,014	0,359	1,380	74,282	19,900	23,079	21,440	21,076	20,438	20,545	27,342	20,335	62,823
168,167	0,214	0,594	1,325	0,126	0,017	0,360	1,381	74,278	19,869	23,075	21,444	21,069	20,442	20,547	27,377	20,342	62,796
168,500	0,213	0,599	1,323	0,126	0,011	0,355	1,380	74,273	19,892	23,062	21,444	21,067	20,456	20,552	27,418	20,340	62,775
168,833	0,215	0,598	1,325	0,126	0,018	0,356	1,380	74,280	19,922	23,035	21,433	21,060	20,441	20,559	27,455	20,335	62,781
169,167	0,215	0,592	1,322	0,126	0,012	0,362	1,380	74,287	19,914	23,049	21,437	21,077	20,452	20,541	27,500	20,335	62,832
169,500	0,213	0,580	1,318	0,127	0,023	0,372	1,380	74,265	19,917	23,061	21,437	21,057	20,445	20,555	27,547	20,337	62,859
169,834	0,213	0,578	1,321	0,125	0,029	0,372	1,379	74,243	19,882	23,056	21,450	21,062	20,452	20,556	27,585	20,334	62,835
170,167	0,212	0,580	1,323	0,128	0,016	0,371	1,380	74,233	19,911	23,076	21,452	21,073	20,457	20,563	27,628	20,341	63,115
170,500	0,213	0,585	1,326	0,127	0,021	0,367	1,379	74,250	19,926	23,067	21,458	21,084	20,472	20,577	27,667	20,351	63,321
170,834	0,214	0,583	1,332	0,126	0,022	0,369	1,379	74,225	19,920	23,052	21,462	21,071	20,465	20,572	27,711	20,346	63,268
171,167	0,214	0,584	1,331	0,126	0,015	0,368	1,379	74,232	19,911	23,020	21,449	21,064	20,460	20,576	27,733	20,343	63,249
171,500	0,212	0,590	1,321	0,125	0,018	0,362	1,379	74,237	19,901	23,065	21,444	21,058	20,455	20,573	27,759	20,343	63,157

Pellematic 56_cat II_run 2_191212.Dat

Category: II

	1103	1108	1109	130	230	101	102	1	2	3	6	7	8	11	
Mättid	T3 inlet load side	T2 inlet boiler	T1 outlet boiler	Flow load side	Flow boiler side	Heat output load side	Heat output boiler	CO chimney	CO2 chimney	O2 chimney	Pstat	Pdyn	Tunnel velocity	Våg	Tidpunkt
Minuter	°C	°C	°C	m³/h	m³/h	W	W	ppm	%	%	Pa	Pa	m/s	kg	Klockan
159,500	44,047	55,164	74,656	0,503	0,504	11076,886	11252,879	34,436	10,054	10,582	5,055	53,192	9,416	961,567	2019-12-12 12:13
159,833	44,036	55,096	74,631	0,502	0,505	11025,154	11317,576	38,209	9,962	10,615	5,089	52,543	9,358	961,567	2019-12-12 12:13
160,167	44,031	55,096	74,606	0,503	0,504	11033,218	11265,901	38,191	9,798	10,824	5,029	53,141	9,411	961,567	2019-12-12 12:13
160,500	44,021	55,100	74,576	0,503	0,505	11033,227	11278,666	38,714	9,843	10,792	5,112	53,286	9,424	961,640	2019-12-12 12:14
160,833	44,007	55,106	74,555	0,503	0,505	11042,349	11256,234	40,730	9,892	10,738	5,037	53,010	9,399	961,568	2019-12-12 12:14
161,167	43,993	55,100	74,580	0,503	0,505	11035,942	11271,353	40,044	9,725	10,892	4,999	53,381	9,432	961,567	2019-12-12 12:14
161,500	43,982	55,086	74,577	0,502	0,504	11025,381	11250,043	39,806	9,633	10,993	5,104	53,042	9,402	961,567	2019-12-12 12:15
161,833	43,979	55,066	74,565	0,503	0,507	11032,858	11324,947	36,785	9,564	11,061	5,020	53,308	9,426	961,475	2019-12-12 12:15
162,167	43,978	55,075	74,548	0,503	0,505	11024,936	11275,618	33,014	9,514	11,118	5,024	53,230	9,419	961,475	2019-12-12 12:15
162,500	43,988	55,071	74,534	0,502	0,505	11011,914	11254,864	31,755	9,480	11,172	5,097	53,021	9,400	961,475	2019-12-12 12:16
162,834	44,003	55,061	74,490	0,503	0,505	11006,119	11247,860	31,330	9,454	11,191	5,118	52,631	9,366	961,475	2019-12-12 12:16
163,167	44,007	55,049	74,488	0,503	0,504	11005,359	11240,192	35,270	9,512	11,152	5,143	53,121	9,409	961,475	2019-12-12 12:16
163,500	44,027	55,043	74,438	0,503	0,505	10984,966	11215,799	35,783	9,499	11,152	5,014	52,601	9,363	961,474	2019-12-12 12:17
163,834	44,040	55,033	74,448	0,503	0,505	10977,301	11240,731	34,362	9,446	11,218	5,009	52,334	9,339	961,475	2019-12-12 12:17
164,167	44,040	55,025	74,419	0,503	0,504	10965,257	11210,857	33,860	9,294	11,323	5,074	52,791	9,380	961,351	2019-12-12 12:17
164,500	44,042	55,027	74,423	0,503	0,505	10966,326	11223,330	31,419	9,172	11,495	5,055	52,591	9,362	961,352	2019-12-12 12:18
164,834	44,038	55,036	74,370	0,503	0,504	10954,407	11172,910	30,239	9,029	11,617	5,029	52,786	9,380	961,351	2019-12-12 12:18
165,167	44,026	55,036	74,352	0,502	0,505	10947,276	11181,427	33,092	9,118	11,593	5,038	52,392	9,345	961,351	2019-12-12 12:18
165,500	44,016	55,031	74,323	0,503	0,505	10958,331	11162,295	32,597	9,249	11,410	5,015	52,530	9,357	961,351	2019-12-12 12:19
165,833	44,002	55,021	74,324	0,503	0,505	10963,535	11173,876	32,259	9,229	11,405	5,054	52,940	9,393	961,351	2019-12-12 12:19
166,167	43,985	54,996	74,286	0,503	0,504	10947,068	11150,709	33,013	9,391	11,322	5,063	52,558	9,359	961,351	2019-12-12 12:19
166,500	43,973	54,979	74,254	0,502	0,504	10932,630	11144,582	33,435	9,562	11,115	5,142	52,587	9,362	961,351	2019-12-12 12:20
166,833	43,961	54,972	74,251	0,503	0,505	10936,580	11153,066	36,872	9,597	11,049	5,043	52,385	9,344	961,352	2019-12-12 12:20
167,167	43,953	54,953	74,222	0,503	0,506	10927,464	11167,348	38,140	9,653	11,000	5,089	52,701	9,372	961,351	2019-12-12 12:20
167,500	43,949	54,943	74,185	0,503	0,506	10925,740	11168,430	40,227	9,826	10,842	5,057	52,999	9,398	961,256	2019-12-12 12:21
167,833	43,945	54,946	74,189	0,503	0,505	10918,335	11148,160	40,058	9,874	10,774	5,076	52,908	9,390	961,256	2019-12-12 12:21
168,167	43,953	54,933	74,145	0,502	0,505	10890,719	11111,221	37,810	9,875	10,786	5,045	53,197	9,416	961,256	2019-12-12 12:21
168,500	43,965	54,908	74,129	0,502	0,504	10874,260	11111,289	35,944	9,991	10,660	5,024	52,806	9,381	961,256	2019-12-12 12:22
168,833	43,995	54,888	74,128	0,503	0,505	10872,104	11126,118	40,641	9,923	10,684	5,021	53,178	9,414	961,257	2019-12-12 12:22
169,167	44,019	54,874	74,106	0,502	0,505	10875,996	11121,092	38,796	9,707	10,868	5,050	52,917	9,391	961,257	2019-12-12 12:22
169,500	44,058	54,874	74,118	0,502	0,504	10866,036	11126,879	36,284	9,435	11,152	5,083	52,627	9,365	961,257	2019-12-12 12:23
169,834	44,096	54,849	74,065	0,503	0,505	10840,308	11122,576	33,933	9,452	11,175	4,984	52,817	9,382	961,162	2019-12-12 12:23
170,167	44,144	54,832	74,029	0,503	0,504	10981,941	11082,474	33,676	9,530	11,127	5,101	52,965	9,395	961,256	2019-12-12 12:23
170,500	44,181	54,794	74,005	0,503	0,505	11071,811	11113,571	38,463	9,644	11,007	5,071	53,131	9,410	961,162	2019-12-12 12:24
170,834	44,210	54,654	74,002	0,503	0,504	11021,859	11176,992	37,666	9,552	11,070	5,024	53,424	9,436	961,163	2019-12-12 12:24
171,167	44,234	54,569	73,977	0,502	0,505	10992,469	11235,057	37,553	9,610	11,035	5,055	52,932	9,393	961,163	2019-12-12 12:24
171,500	44,239	54,543	73,974	0,502	0,505	10938,024	11256,683	33,089	9,770	10,863	4,990	53,073	9,405	961,162	2019-12-12 12:25

Pellematic 56_cat II_run 2_191212.Dat

Category: II

	301	302	304	305	306	308	317	1311	1312	1313	1314	1315	1316	1317	1318	1101	1102
Mättid	CO chimney	CO2 chimney	Pdyn	Pstat	Static pressure chimney	O2 chimney	Våg	Flue gas temp	Ambient	Flue gas at pitot	filter temp 1	filter temp 2	gas meter temp 1	gas meter temp 2	gasmeter temp ambient		T4 outlet load side
Minuter	VDC	VDC	VDC	VDC	VDC	VDC	VDC	°C	°C	°C	°C	°C	°C	°C	°C	°C	°C
171,834	0,213	0,590	1,315	0,124	0,019	0,364	1,379	74,225	19,922	23,092	21,457	21,060	20,484	20,592	27,818	20,355	63,161
172,167	0,213	0,586	1,303	0,124	0,007	0,365	1,379	74,221	19,856	23,099	21,463	21,068	20,473	20,592	27,855	20,358	62,888
172,500	0,214	0,589	1,316	0,125	0,015	0,363	1,378	74,177	19,808	23,100	21,459	21,059	20,471	20,588	27,876	20,349	62,653
172,833	0,213	0,589	1,317	0,126	0,013	0,363	1,379	74,177	19,895	23,050	21,446	21,065	20,488	20,599	27,922	20,356	62,671
173,167	0,214	0,588	1,321	0,125	0,013	0,364	1,377	74,158	19,904	23,054	21,454	21,070	20,478	20,586	27,951	20,348	62,795
173,500	0,216	0,591	1,313	0,126	0,016	0,361	1,377	74,189	19,923	23,089	21,444	21,081	20,478	20,602	27,979	20,348	62,761
173,833	0,217	0,588	1,318	0,126	0,017	0,364	1,377	74,203	19,927	23,076	21,458	21,075	20,486	20,599	28,004	20,350	63,249
174,167	0,215	0,584	1,326	0,127	0,015	0,368	1,377	74,184	19,785	23,095	21,458	21,081	20,474	20,607	28,047	20,349	63,168
174,500	0,216	0,583	1,328	0,125	0,021	0,369	1,377	74,142	19,873	23,098	21,454	21,088	20,484	20,611	28,079	20,354	63,106
174,833	0,216	0,586	1,319	0,127	0,010	0,365	1,376	74,135	19,835	23,080	21,463	21,081	20,487	20,612	28,123	20,354	63,090
175,167	0,217	0,584	1,327	0,126	0,018	0,368	1,376	74,116	19,757	23,040	21,445	21,065	20,485	20,609	28,143	20,347	63,049
175,500	0,217	0,586	1,339	0,125	0,018	0,366	1,377	74,111	19,806	23,022	21,446	21,073	20,490	20,610	28,171	20,346	63,037
175,833	0,217	0,593	1,329	0,124	0,015	0,360	1,376	74,089	19,841	22,979	21,439	21,074	20,489	20,616	28,206	20,344	63,013
176,167	0,217	0,594	1,323	0,125	0,014	0,359	1,376	74,100	19,864	23,021	21,452	21,066	20,500	20,628	28,246	20,358	63,006
176,500	0,216	0,586	1,313	0,125	0,013	0,366	1,376	74,088	19,792	23,024	21,443	21,059	20,494	20,629	28,281	20,352	62,994
176,834	0,216	0,582	1,315	0,124	0,019	0,369	1,376	74,091	19,770	23,038	21,454	21,061	20,499	20,628	28,306	20,353	62,986
177,167	0,215	0,582	1,323	0,125	0,013	0,369	1,376	74,064	19,849	22,998	21,442	21,078	20,508	20,621	28,337	20,351	62,982
177,500	0,214	0,583	1,320	0,124	0,017	0,369	1,376	74,027	19,868	22,992	21,450	21,078	20,497	20,632	28,368	20,354	62,972
177,834	0,215	0,580	1,330	0,126	0,023	0,371	1,375	74,025	19,892	22,970	21,443	21,071	20,499	20,632	28,394	20,347	62,960
178,167	0,215	0,580	1,329	0,125	0,014	0,371	1,375	74,032	19,913	22,977	21,445	21,064	20,500	20,636	28,427	20,347	62,950
178,500	0,215	0,583	1,326	0,126	0,013	0,369	1,375	74,023	19,928	22,994	21,449	21,086	20,506	20,641	28,456	20,353	62,955
178,833	0,214	0,580	1,322	0,127	0,015	0,372	1,375	73,993	19,921	22,995	21,451	21,093	20,511	20,647	28,496	20,361	62,949
179,167	0,213	0,578	1,318	0,126	0,019	0,374	1,374	73,953	19,868	23,008	21,446	21,094	20,505	20,650	28,505	20,354	62,959
179,500	0,214	0,579	1,313	0,126	0,020	0,371	1,375	73,922	19,877	22,996	21,439	21,081	20,504	20,645	28,527	20,345	62,961
179,833	0,213	0,584	1,324	0,125	0,020	0,367	1,374	73,932	19,848	23,006	21,447	21,076	20,509	20,648	28,563	20,349	62,961
180,167	0,212	0,588	1,332	0,126	0,014	0,363	1,374	73,919	19,787	23,013	21,457	21,077	20,510	20,647	28,589	20,354	62,977
180,500	0,214	0,598	1,323	0,125	0,011	0,355	1,374	73,905	19,700	22,994	21,451	20,932	20,498	20,650	28,606	20,350	62,973
180,833	0,215	0,600	1,322	0,125	0,010	0,354	1,373	73,897	19,774	23,045	21,453	44,959	20,485	20,655	28,641	20,355	62,980
181,167	0,213	0,586	1,327	0,125	0,011	0,367	1,373	73,884	19,793	23,028	21,436	48,941	20,490	20,654	28,670	20,347	62,964
181,500	0,212	0,581	1,306	0,125	0,013	0,370	1,372	73,845	19,834	23,026	21,453	24,838	20,491	20,660	28,696	20,350	62,970
181,833	0,213	0,586	1,312	0,124	0,008	0,366	1,372	73,847	19,836	23,013	21,439	20,621	20,501	20,664	28,710	20,347	62,953
182,167	0,213	0,585	1,321	0,125	0,018	0,367	1,372	73,852	19,836	23,015	21,437	20,692	20,493	20,656	28,736	20,347	62,942
182,500	0,214	0,583	1,317	0,125	0,016	0,369	1,372	73,856	19,848	23,043	21,449	20,773	20,536	20,667	28,746	20,347	62,921
182,833	0,213	0,584	1,327	0,126	0,011	0,368	1,372	73,846	19,865	23,050	21,460	20,824	20,552	20,675	28,803	20,355	62,906
183,167	0,213	0,587	1,314	0,124	0,012	0,365	1,372	73,815	19,875	23,028	21,450	20,830	20,552	20,673	28,817	20,349	62,885
183,500	0,213	0,586	1,324	0,125	0,017	0,366	1,371	73,807	19,838	23,016	21,466	20,846	20,540	20,668	28,845	20,350	62,890
183,834	0,213	0,588	1,331	0,125	0,020	0,364	1,371	73,761	19,879	22,988	21,453	20,857	20,550	20,685	28,863	20,353	62,881

Pellematic 56_cat II_run 2_191212.Dat

Category: II

	1103	1108	1109	130	230	101	102	1	2	3	6	7	8	11	
Mättid	T3 inlet load side	T2 inlet boiler	T1 outlet boiler	Flow load side	Flow boiler side	Heat output load side	Heat output boiler	CO chimney	CO2 chimney	O2 chimney	Pstat	Pdyn	Tunnel velocity	Våg	Tidpunkt
Minuter	°C	°C	°C	m³/h	m³/h	W	W	ppm	%	%	Pa	Pa	m/s	kg	Klockan
171,834	44,238	54,566	73,913	0,502	0,504	10929,626	11184,099	34,594	9,696	10,906	4,963	52,390	9,344	961,162	2019-12-12 12:25
172,167	44,224	54,584	73,894	0,502	0,504	10789,965	11156,200	38,116	9,685	10,956	4,950	52,181	9,326	961,162	2019-12-12 12:25
172,500	44,206	54,608	73,874	0,502	0,504	10659,172	11141,727	38,052	9,725	10,892	4,999	52,481	9,352	961,069	2019-12-12 12:26
172,833	44,187	54,753	73,837	0,503	0,504	10689,843	11035,798	36,280	9,730	10,903	5,042	52,914	9,391	961,163	2019-12-12 12:26
173,167	44,150	54,849	73,864	0,503	0,505	10781,974	11014,923	39,055	9,704	10,923	5,013	52,939	9,393	961,069	2019-12-12 12:26
173,500	44,122	54,868	73,851	0,503	0,505	10786,374	10990,319	45,526	9,790	10,833	5,050	52,324	9,338	961,069	2019-12-12 12:27
173,833	44,101	54,837	73,823	0,503	0,505	11080,829	10999,501	45,111	9,666	10,929	5,041	52,885	9,388	961,069	2019-12-12 12:27
174,167	44,076	54,721	73,818	0,502	0,504	11031,013	11035,677	40,683	9,603	11,026	5,072	53,090	9,407	961,069	2019-12-12 12:27
174,500	44,053	54,553	73,780	0,502	0,504	11006,018	11118,705	42,998	9,564	11,055	5,013	53,328	9,428	961,069	2019-12-12 12:28
174,833	44,030	54,464	73,757	0,502	0,504	11013,097	11144,187	45,268	9,672	10,954	5,072	52,474	9,352	960,976	2019-12-12 12:28
175,167	44,009	54,395	73,768	0,502	0,505	11008,801	11210,410	45,592	9,603	11,029	5,051	53,069	9,405	961,068	2019-12-12 12:28
175,500	43,995	54,371	73,757	0,503	0,504	11012,066	11203,790	46,524	9,689	10,978	4,993	53,515	9,444	961,069	2019-12-12 12:29
175,833	43,981	54,336	73,723	0,503	0,504	11014,709	11200,514	45,343	9,849	10,786	4,979	53,100	9,407	960,977	2019-12-12 12:29
176,167	43,985	54,313	73,705	0,503	0,504	11006,269	11201,335	44,420	9,814	10,768	5,019	53,348	9,429	960,977	2019-12-12 12:29
176,500	43,989	54,293	73,662	0,503	0,505	10990,089	11217,033	42,581	9,619	10,989	4,987	52,622	9,365	960,976	2019-12-12 12:30
176,834	44,000	54,289	73,621	0,502	0,505	10971,144	11187,041	42,157	9,570	11,079	4,955	52,549	9,358	960,977	2019-12-12 12:30
177,167	44,009	54,293	73,670	0,503	0,505	10975,072	11213,539	38,887	9,545	11,067	5,006	53,065	9,404	960,976	2019-12-12 12:30
177,500	44,018	54,285	73,639	0,502	0,506	10953,158	11217,091	39,980	9,537	11,067	4,975	52,796	9,381	960,976	2019-12-12 12:31
177,834	44,032	54,283	73,593	0,502	0,504	10935,754	11163,771	41,071	9,467	11,137	5,058	53,148	9,412	960,872	2019-12-12 12:31
178,167	44,046	54,286	73,603	0,503	0,505	10932,204	11175,233	42,579	9,522	11,126	4,997	53,225	9,419	960,977	2019-12-12 12:31
178,500	44,078	54,276	73,605	0,502	0,504	10904,245	11176,656	38,879	9,586	11,056	5,024	53,165	9,413	960,851	2019-12-12 12:32
178,833	44,105	54,273	73,583	0,502	0,505	10895,824	11169,247	38,051	9,478	11,152	5,079	52,853	9,386	960,850	2019-12-12 12:32
179,167	44,137	54,275	73,543	0,502	0,506	10881,714	11172,109	35,606	9,457	11,208	5,027	52,717	9,373	960,851	2019-12-12 12:32
179,500	44,187	54,297	73,537	0,503	0,504	10865,373	11127,960	37,794	9,513	11,141	5,042	52,684	9,371	960,977	2019-12-12 12:33
179,833	44,242	54,311	73,525	0,503	0,505	10824,812	11115,015	33,599	9,604	11,008	5,015	52,994	9,398	960,851	2019-12-12 12:33
180,167	44,292	54,323	73,560	0,502	0,505	10799,855	11141,259	34,354	9,748	10,897	5,028	52,981	9,397	960,851	2019-12-12 12:33
180,500	44,325	54,354	73,518	0,503	0,504	10784,652	11078,237	38,290	10,005	10,640	5,003	52,903	9,390	960,851	2019-12-12 12:34
180,833	44,360	54,376	73,491	0,503	0,504	10772,843	11044,697	40,561	9,934	10,623	5,008	53,070	9,405	960,757	2019-12-12 12:34
181,167	44,372	54,381	73,452	0,503	0,504	10750,126	11014,192	36,194	9,578	11,001	5,005	52,803	9,381	960,756	2019-12-12 12:34
181,500	44,374	54,389	73,433	0,502	0,504	10750,719	10993,729	34,175	9,563	11,095	5,003	52,343	9,340	960,756	2019-12-12 12:35
181,833	44,366	54,383	73,411	0,503	0,505	10755,662	11012,049	34,514	9,654	10,984	4,957	52,310	9,337	960,756	2019-12-12 12:35
182,167	44,344	54,395	73,396	0,502	0,504	10743,562	10978,703	37,457	9,630	11,002	4,996	52,874	9,387	960,757	2019-12-12 12:35
182,500	44,321	54,401	73,417	0,503	0,504	10755,584	10977,635	39,131	9,557	11,059	5,009	52,802	9,381	960,756	2019-12-12 12:36
182,833	44,291	54,386	73,370	0,503	0,504	10762,843	10959,317	35,477	9,594	11,052	5,047	52,945	9,394	960,757	2019-12-12 12:36
183,167	44,250	54,362	73,311	0,502	0,504	10768,656	10959,096	35,776	9,690	10,942	4,963	52,666	9,369	960,756	2019-12-12 12:36
183,500	44,207	54,350	73,334	0,502	0,503	10793,822	10950,389	37,290	9,645	10,992	5,003	52,951	9,394	960,663	2019-12-12 12:37
183,834	44,168	54,326	73,328	0,502	0,504	10818,607	10989,644	35,443	9,744	10,914	5,005	53,309	9,426	960,756	2019-12-12 12:37

Pellematic 56_cat II_run 2_191212.Dat

Category: II

	301	302	304	305	306	308	317	1311	1312	1313	1314	1315	1316	1317	1318	1101	1102
Mättid	CO chimney	CO2 chimney	Pdyn	Pstat	Static pressure chimney	O2 chimney	Våg	Flue gas temp	Ambient	Flue gas at pitot	filter temp 1	filter temp 2	gas meter temp 1	gas meter temp 2	gasmeter temp ambient		T4 outlet load side
Minuter	VDC	VDC	VDC	VDC	VDC	VDC	VDC	°C	°C	°C	°C	°C	°C	°C	°C	°C	°C
184,167	0,213	0,598	1,326	0,126	0,013	0,355	1,371	73,780	19,871	22,982	21,443	20,873	20,530	20,671	28,876	20,346	62,857
184,500	0,214	0,601	1,331	0,125	0,013	0,353	1,371	73,802	19,893	22,973	21,461	20,884	20,535	20,686	28,915	20,359	62,833
184,834	0,215	0,589	1,318	0,124	0,019	0,364	1,371	73,776	19,885	22,954	21,445	20,865	20,539	20,667	28,924	20,343	62,808
185,167	0,216	0,584	1,320	0,125	0,020	0,367	1,371	73,751	19,924	22,971	21,442	20,880	20,539	20,677	28,932	20,343	62,771
185,500	0,218	0,586	1,324	0,126	0,020	0,366	1,371	73,727	19,902	22,974	21,452	20,884	20,537	20,695	28,971	20,346	62,771
185,833	0,217	0,586	1,325	0,124	0,015	0,366	1,371	73,686	19,903	22,973	21,443	20,885	20,548	20,697	29,004	20,347	63,016
186,167	0,217	0,588	1,327	0,126	0,009	0,365	1,370	73,675	19,924	22,988	21,445	20,902	20,540	20,686	29,012	20,348	63,215
186,500	0,218	0,581	1,335	0,124	0,021	0,371	1,369	73,674	19,896	22,948	21,435	20,886	20,541	20,688	29,041	20,346	63,138
186,833	0,216	0,576	1,336	0,122	0,021	0,375	1,370	73,689	19,902	23,004	21,443	20,903	20,538	20,696	29,063	20,348	63,105
187,167	0,216	0,580	1,316	0,123	0,022	0,371	1,369	73,692	19,898	23,062	21,463	20,910	20,555	20,703	29,081	20,354	63,100
187,500	0,217	0,586	1,311	0,124	0,010	0,365	1,368	73,663	19,893	23,033	21,462	20,911	20,551	20,704	29,106	20,352	63,097
187,833	0,217	0,587	1,322	0,124	0,020	0,365	1,369	73,645	19,863	22,999	21,459	20,906	20,545	20,704	29,121	20,351	63,095
188,167	0,217	0,585	1,332	0,123	0,020	0,367	1,369	73,632	19,854	23,003	21,451	20,909	20,546	20,703	29,136	20,351	63,100
188,500	0,217	0,583	1,331	0,124	0,015	0,369	1,369	73,623	19,872	23,030	21,468	20,919	20,551	20,713	29,164	20,354	63,089
188,833	0,216	0,585	1,331	0,123	0,011	0,367	1,369	73,616	19,928	23,043	21,460	20,927	20,542	20,717	29,180	20,352	63,069
189,167	0,216	0,584	1,322	0,124	0,013	0,368	1,369	73,631	19,887	23,079	21,466	20,931	20,550	20,724	29,203	20,357	63,085
189,500	0,215	0,583	1,315	0,125	0,009	0,369	1,368	73,630	19,886	23,055	21,466	20,944	20,548	20,726	29,216	20,355	63,072
189,833	0,216	0,588	1,315	0,123	0,009	0,364	1,368	73,612	19,891	23,070	21,470	20,933	20,546	20,720	29,228	20,353	63,063
190,167	0,217	0,591	1,318	0,125	0,013	0,361	1,368	73,586	19,937	23,057	21,483	20,948	20,547	20,721	29,252	20,358	63,032
190,500	0,217	0,590	1,319	0,123	0,010	0,362	1,368	73,586	19,936	23,094	21,478	20,940	20,546	20,725	29,270	20,359	62,964
190,834	0,216	0,592	1,320	0,124	0,019	0,359	1,368	73,573	19,855	23,092	21,493	20,950	20,554	20,734	29,301	20,360	62,957
191,167	0,216	0,600	1,309	0,125	0,009	0,353	1,368	73,564	19,893	23,105	21,494	20,953	20,554	20,732	29,318	20,361	62,953
191,500	0,215	0,600	1,330	0,125	0,016	0,354	1,368	73,556	19,859	23,075	21,477	20,951	20,554	20,742	29,337	20,361	62,944
191,834	0,214	0,594	1,317	0,123	0,018	0,360	1,368	73,579	19,836	23,064	21,491	20,958	20,545	20,733	29,346	20,358	62,935
192,167	0,215	0,601	1,313	0,123	0,012	0,353	1,366	73,565	19,796	23,058	21,474	20,954	20,546	20,732	29,373	20,358	62,934
192,500	0,217	0,607	1,317	0,124	0,012	0,348	1,366	73,558	19,872	23,068	21,486	20,962	20,548	20,749	29,382	20,359	62,919
192,833	0,216	0,601	1,323	0,125	0,015	0,354	1,366	73,564	19,895	23,081	21,487	20,950	20,555	20,745	29,401	20,356	62,905
193,167	0,216	0,596	1,318	0,124	0,016	0,357	1,366	73,562	19,906	23,082	21,488	20,956	20,546	20,745	29,412	20,356	62,894
193,500	0,217	0,600	1,327	0,126	0,016	0,354	1,365	73,574	19,908	23,048	21,474	20,971	20,556	20,746	29,423	20,357	62,886
193,833	0,218	0,595	1,331	0,123	0,018	0,359	1,365	73,521	19,908	23,063	21,477	20,958	20,551	20,746	29,441	20,355	62,879
194,167	0,216	0,586	1,323	0,123	0,008	0,366	1,364	73,508	19,911	23,022	21,484	20,961	20,535	20,751	29,439	20,356	62,866
194,500	0,215	0,592	1,324	0,125	0,010	0,360	1,364	73,472	19,928	23,054	21,474	20,966	20,559	20,745	29,456	20,358	62,848
194,833	0,215	0,593	1,324	0,124	0,016	0,360	1,365	73,469	19,951	23,073	21,478	20,962	20,550	20,748	29,458	20,356	62,831
195,167	0,215	0,590	1,321	0,123	0,016	0,362	1,364	73,477	19,816	23,067	21,484	20,966	20,551	20,752	29,494	20,356	62,820
195,500	0,216	0,588	1,316	0,123	0,011	0,363	1,364	73,469	19,877	23,105	21,493	20,981	20,557	20,755	29,513	20,360	62,818
195,833	0,215	0,591	1,335	0,124	0,014	0,361	1,364	73,466	19,844	23,078	21,489	20,972	20,561	20,767	29,517	20,362	62,861
196,167	0,214	0,591	1,331	0,124	0,015	0,362	1,364	73,459	19,887	23,063	21,489	20,982	20,560	20,762	29,535	20,363	62,894

Pellematic 56_cat II_run 2_191212.Dat

Category: II

	1103	1108	1109	130	230	101	102	1	2	3	6	7	8	11	
Mättid	T3 inlet load side	T2 inlet boiler	T1 outlet boiler	Flow load side	Flow boiler side	Heat output load side	Heat output boiler	CO chimney	CO2 chimney	O2 chimney	Pstat	Pdyn	Tunnel velocity	Våg	Tidpunkt
Minuter	°C	°C	°C	m³/h	m³/h	W	W	ppm	%	%	Pa	Pa	m/s	kg	Klockan
184,167	44,130	54,289	73,277	0,503	0,504	10828,745	10969,701	36,566	10,021	10,650	5,042	52,929	9,392	960,663	2019-12-12 12:37
184,500	44,096	54,244	73,257	0,503	0,504	10839,797	10986,255	38,134	10,002	10,600	5,014	53,246	9,420	960,663	2019-12-12 12:38
184,834	44,072	54,211	73,289	0,503	0,504	10841,118	11027,226	42,576	9,641	10,923	4,955	52,601	9,363	960,663	2019-12-12 12:38
185,167	44,066	54,183	73,243	0,502	0,503	10811,989	10994,265	43,588	9,632	11,011	4,994	52,891	9,389	960,663	2019-12-12 12:38
185,500	44,073	54,148	73,227	0,502	0,504	10811,324	11021,273	48,616	9,636	10,980	5,022	53,069	9,405	960,663	2019-12-12 12:39
185,833	44,079	54,136	73,208	0,503	0,505	10961,859	11039,089	44,926	9,662	10,975	4,956	52,874	9,387	960,662	2019-12-12 12:39
186,167	44,096	54,122	73,205	0,503	0,503	11055,459	11012,121	47,953	9,710	10,936	5,027	53,390	9,433	960,568	2019-12-12 12:39
186,500	44,109	53,964	73,178	0,503	0,503	11016,796	11091,463	47,530	9,471	11,131	4,979	53,458	9,439	960,569	2019-12-12 12:40
186,833	44,125	53,854	73,146	0,503	0,504	10985,748	11141,838	42,317	9,378	11,249	4,899	53,330	9,428	960,663	2019-12-12 12:40
187,167	44,145	53,801	73,138	0,503	0,504	10963,897	11165,081	44,419	9,522	11,124	4,938	52,616	9,364	960,569	2019-12-12 12:40
187,500	44,161	53,788	73,170	0,502	0,504	10937,169	11196,451	45,671	9,691	10,964	4,943	52,472	9,352	960,569	2019-12-12 12:41
187,833	44,171	53,796	73,160	0,502	0,503	10933,293	11178,566	46,856	9,650	10,951	4,949	52,908	9,390	960,569	2019-12-12 12:41
188,167	44,188	53,807	73,103	0,503	0,503	10936,020	11125,995	46,095	9,597	11,023	4,934	53,537	9,446	960,569	2019-12-12 12:41
188,500	44,204	53,795	73,077	0,503	0,504	10929,518	11132,391	43,920	9,588	11,067	4,949	53,330	9,428	960,569	2019-12-12 12:42
188,833	44,214	53,786	73,091	0,503	0,504	10903,480	11155,155	43,746	9,630	11,001	4,921	53,112	9,409	960,569	2019-12-12 12:42
189,167	44,222	53,788	73,079	0,502	0,503	10902,942	11123,141	43,091	9,572	11,051	4,958	53,074	9,405	960,569	2019-12-12 12:42
189,500	44,230	53,797	73,063	0,502	0,503	10887,599	11112,357	41,653	9,587	11,074	4,991	52,500	9,354	960,477	2019-12-12 12:43
189,833	44,233	53,794	73,045	0,502	0,504	10885,245	11116,532	43,914	9,721	10,925	4,938	52,570	9,360	960,477	2019-12-12 12:43
190,167	44,232	53,801	73,021	0,503	0,503	10882,254	11081,708	45,001	9,779	10,837	4,988	52,811	9,382	960,477	2019-12-12 12:43
190,500	44,229	53,788	73,008	0,503	0,503	10832,522	11082,541	45,261	9,727	10,861	4,939	52,922	9,392	960,569	2019-12-12 12:44
190,834	44,218	53,802	72,981	0,503	0,503	10836,915	11067,821	45,008	9,853	10,785	4,958	52,480	9,352	960,477	2019-12-12 12:44
191,167	44,218	53,822	72,995	0,502	0,504	10830,511	11077,226	43,155	10,044	10,603	4,990	52,510	9,355	960,477	2019-12-12 12:44
191,500	44,212	53,834	72,927	0,503	0,502	10836,579	10995,159	39,126	9,955	10,629	5,001	53,094	9,407	960,477	2019-12-12 12:45
191,834	44,213	53,824	72,984	0,503	0,504	10826,537	11071,194	37,532	9,839	10,788	4,925	52,360	9,342	960,477	2019-12-12 12:45
192,167	44,212	53,825	72,944	0,503	0,504	10825,460	11057,794	42,408	10,082	10,580	4,916	52,197	9,327	960,351	2019-12-12 12:45
192,500	44,212	53,828	72,912	0,503	0,503	10824,785	11012,543	45,251	10,172	10,429	4,946	52,462	9,351	960,351	2019-12-12 12:46
192,833	44,208	53,819	72,927	0,503	0,503	10811,098	11031,055	42,230	9,959	10,606	5,008	53,091	9,407	960,351	2019-12-12 12:46
193,167	44,199	53,806	72,892	0,503	0,504	10810,481	11018,973	43,574	9,913	10,708	4,966	52,586	9,362	960,352	2019-12-12 12:46
193,500	44,191	53,799	72,862	0,503	0,504	10815,107	11021,213	45,924	10,001	10,608	5,031	53,253	9,421	960,257	2019-12-12 12:47
193,833	44,185	53,808	72,854	0,502	0,503	10805,525	10989,345	47,437	9,803	10,770	4,928	53,270	9,423	960,257	2019-12-12 12:47
194,167	44,171	53,804	72,848	0,502	0,504	10802,248	11009,289	41,228	9,662	10,969	4,925	52,749	9,376	960,257	2019-12-12 12:47
194,500	44,162	53,794	72,854	0,502	0,504	10798,323	11016,641	40,470	9,864	10,798	5,013	53,101	9,408	960,257	2019-12-12 12:48
194,833	44,148	53,780	72,827	0,502	0,504	10799,679	11005,644	40,131	9,797	10,803	4,959	52,928	9,392	960,351	2019-12-12 12:48
195,167	44,136	53,770	72,819	0,502	0,504	10797,080	11013,737	40,973	9,730	10,873	4,910	52,777	9,379	960,257	2019-12-12 12:48
195,500	44,120	53,769	72,816	0,503	0,504	10811,384	11004,669	43,071	9,725	10,900	4,907	52,662	9,369	960,257	2019-12-12 12:49
195,833	44,098	53,753	72,807	0,502	0,503	10845,123	10998,728	39,631	9,777	10,831	4,975	53,563	9,448	960,257	2019-12-12 12:49
196,167	44,070	53,729	72,774	0,502	0,504	10867,447	11002,816	39,461	9,784	10,851	4,959	53,388	9,433	960,257	2019-12-12 12:49

Pellematic 56_cat II_run 2_191212.Dat

Category: II

	301	302	304	305	306	308	317	1311	1312	1313	1314	1315	1316	1317	1318	1101	1102
Mättid	CO chimney	CO2 chimney	Pdyn	Pstat	Static pressure chimney	O2 chimney	Våg	Flue gas temp	Ambient	Flue gas at pitot	filter temp 1	filter temp 2	gas meter temp 1	gas meter temp 2	gasmeter temp ambient		T4 outlet load side
Minuter	VDC	VDC	VDC	VDC	VDC	VDC	VDC	°C	°C	°C	°C	°C	°C	°C	°C	°C	°C
196,500	0,215	0,594	1,330	0,123	0,022	0,360	1,364	73,463	19,925	23,054	21,485	20,986	20,571	20,759	29,549	20,364	62,848
196,834	0,215	0,596	1,318	0,123	0,018	0,357	1,364	73,469	19,951	23,117	21,485	20,986	20,565	20,775	29,554	20,362	62,831
197,167	0,215	0,595	1,325	0,123	0,017	0,359	1,363	73,462	19,962	23,104	21,486	20,986	20,571	20,783	29,570	20,366	63,312
197,500	0,214	0,587	1,316	0,124	0,014	0,366	1,363	73,445	19,783	23,106	21,478	20,994	20,570	20,778	29,583	20,364	63,206
197,834	0,215	0,585	1,330	0,124	0,020	0,367	1,363	73,462	19,771	23,107	21,482	20,992	20,567	20,778	29,611	20,367	63,145
198,167	0,215	0,585	1,318	0,125	0,010	0,367	1,363	73,452	19,737	23,088	21,482	20,988	20,571	20,781	29,610	20,365	63,112
198,500	0,214	0,585	1,333	0,123	0,013	0,367	1,363	73,459	19,631	23,047	21,480	21,001	20,575	20,784	29,639	20,369	63,093
198,834	0,214	0,580	1,331	0,123	0,013	0,372	1,363	73,442	19,731	23,073	21,485	20,990	20,580	20,795	29,660	20,368	63,069
199,167	0,213	0,577	1,325	0,124	0,020	0,374	1,363	73,452	19,827	23,020	21,475	20,997	20,578	20,783	29,671	20,366	63,062
199,500	0,213	0,576	1,325	0,122	0,022	0,375	1,362	73,437	19,843	23,053	21,483	21,001	20,583	20,787	29,699	20,368	63,055
199,833	0,213	0,571	1,334	0,123	0,017	0,380	1,363	73,409	19,831	23,061	21,478	20,998	20,583	20,792	29,712	20,372	63,035
200,167	0,213	0,568	1,331	0,124	0,016	0,381	1,361	73,400	19,760	23,090	21,486	20,999	20,583	20,789	29,717	20,367	63,025
200,500	0,213	0,573	1,318	0,123	0,020	0,377	1,361	73,373	19,817	23,105	21,488	21,003	20,590	20,804	29,729	20,372	63,017
200,833	0,214	0,576	1,319	0,122	0,012	0,375	1,361	73,343	19,839	23,079	21,490	20,996	20,584	20,791	29,734	20,366	63,023
201,167	0,214	0,574	1,320	0,122	0,019	0,377	1,361	73,329	19,864	23,107	21,495	20,996	20,584	20,792	29,743	20,370	63,014
201,500	0,214	0,577	1,319	0,123	0,022	0,374	1,361	73,308	19,875	23,079	21,484	21,000	20,577	20,795	29,754	20,370	63,003
201,833	0,214	0,577	1,320	0,124	0,016	0,374	1,361	73,324	19,891	23,086	21,481	21,017	20,590	20,815	29,776	20,374	63,004
202,167	0,214	0,576	1,314	0,124	0,010	0,375	1,361	73,306	19,892	23,087	21,494	21,005	20,587	20,811	29,788	20,376	62,996
202,500	0,214	0,582	1,327	0,124	0,019	0,369	1,361	73,240	19,889	23,064	21,482	21,009	20,592	20,815	29,782	20,374	63,004
202,833	0,215	0,589	1,330	0,124	0,018	0,363	1,361	73,197	19,871	23,072	21,486	21,002	20,585	20,821	29,780	20,376	62,994
203,167	0,216	0,595	1,324	0,124	0,008	0,358	1,360	73,233	19,823	23,065	21,469	21,006	20,577	20,828	29,804	20,379	63,012
203,500	0,217	0,595	1,316	0,123	0,011	0,358	1,360	73,218	19,856	23,070	21,475	21,009	20,587	20,824	29,811	20,378	63,000
203,834	0,218	0,597	1,316	0,122	0,014	0,356	1,360	73,221	19,874	23,068	21,480	21,021	20,582	20,821	29,814	20,380	62,985
204,167	0,218	0,600	1,327	0,123	0,014	0,353	1,360	73,217	19,899	23,066	21,475	21,010	20,587	20,825	29,813	20,378	62,981
204,500	0,216	0,603	1,330	0,122	0,011	0,351	1,360	73,165	19,892	23,067	21,473	21,005	20,591	20,816	29,819	20,378	62,952
204,834	0,216	0,604	1,334	0,124	0,013	0,350	1,359	73,193	19,844	23,085	21,481	21,015	20,581	20,839	29,840	20,385	62,943
205,167	0,215	0,608	1,321	0,125	0,011	0,346	1,359	73,240	19,868	23,050	21,484	21,021	20,590	20,823	29,831	20,379	62,922
205,500	0,216	0,610	1,325	0,123	0,016	0,345	1,360	73,198	19,875	23,064	21,477	21,015	20,586	20,823	29,846	20,378	62,898
205,834	0,215	0,604	1,322	0,122	0,014	0,350	1,359	73,232	19,943	23,030	21,475	21,009	20,596	20,831	29,851	20,382	62,882
206,167	0,215	0,602	1,328	0,124	0,018	0,352	1,358	73,205	19,924	23,036	21,477	21,018	20,587	20,827	29,862	20,373	62,851
206,500	0,215	0,604	1,335	0,125	0,014	0,350	1,358	73,213	19,920	23,020	21,479	21,026	20,611	20,847	29,891	20,385	62,843
206,833	0,217	0,602	1,323	0,125	0,009	0,353	1,358	73,198	19,929	23,040	21,468	21,018	20,592	20,839	29,917	20,381	62,820
207,167	0,217	0,598	1,323	0,125	0,006	0,356	1,358	73,184	19,856	23,083	21,479	21,012	20,598	20,854	29,932	20,384	62,798
207,500	0,218	0,601	1,340	0,123	0,021	0,353	1,358	73,153	19,821	23,049	21,474	21,027	20,594	20,856	29,942	20,385	62,781
207,833	0,219	0,595	1,329	0,123	0,013	0,358	1,358	73,129	19,738	23,018	21,468	21,012	20,589	20,846	29,956	20,386	62,837
208,167	0,217	0,593	1,332	0,124	0,012	0,359	1,357	73,116	19,830	23,056	21,464	21,016	20,594	20,849	29,962	20,383	63,060
208,500	0,219	0,598	1,329	0,123	0,015	0,355	1,356	73,136	19,842	22,990	21,461	21,021	20,594	20,850	29,962	20,382	63,215

Pellematic 56_cat II_run 2_191212.Dat

Category: II

	1103	1108	1109	130	230	101	102	1	2	3	6	7	8	11	
Mättid	T3 inlet load side	T2 inlet boiler	T1 outlet boiler	Flow load side	Flow boiler side	Heat output load side	Heat output boiler	CO chimney	CO2 chimney	O2 chimney	Pstat	Pdyn	Tunnel velocity	Våg	Tidpunkt
Minuter	°C	°C	°C	m³/h	m³/h	W	W	ppm	%	%	Pa	Pa	m/s	kg	Klockan
196,500	44,038	53,682	72,788	0,502	0,504	10868,644	11047,811	40,897	9,883	10,785	4,921	53,145	9,411	960,258	2019-12-12 12:50
196,834	44,003	53,645	72,756	0,502	0,503	10878,688	11028,143	40,469	9,894	10,719	4,932	52,878	9,388	960,257	2019-12-12 12:50
197,167	43,963	53,616	72,737	0,502	0,504	11166,884	11043,879	40,380	9,856	10,757	4,926	52,747	9,376	960,163	2019-12-12 12:50
197,500	43,916	53,517	72,710	0,502	0,503	11138,839	11079,253	38,869	9,633	10,981	4,968	52,683	9,370	960,163	2019-12-12 12:51
197,834	43,877	53,355	72,718	0,502	0,504	11121,365	11187,276	41,643	9,649	11,011	4,948	53,177	9,414	960,257	2019-12-12 12:51
198,167	43,839	53,259	72,712	0,502	0,504	11129,616	11236,287	41,649	9,609	11,014	4,988	53,099	9,407	960,257	2019-12-12 12:51
198,500	43,814	53,205	72,698	0,502	0,504	11128,641	11272,484	38,878	9,631	11,021	4,931	53,206	9,417	960,163	2019-12-12 12:52
198,834	43,793	53,161	72,682	0,502	0,503	11130,636	11255,625	38,626	9,444	11,164	4,934	53,123	9,409	960,164	2019-12-12 12:52
199,167	43,785	53,122	72,672	0,502	0,504	11131,880	11291,779	36,023	9,441	11,205	4,971	52,794	9,380	960,163	2019-12-12 12:52
199,500	43,784	53,091	72,642	0,503	0,503	11149,642	11284,932	36,489	9,370	11,238	4,900	53,245	9,420	960,163	2019-12-12 12:53
199,833	43,789	53,073	72,645	0,502	0,503	11125,074	11296,651	36,277	9,241	11,386	4,916	53,365	9,431	960,163	2019-12-12 12:53
200,167	43,805	53,055	72,649	0,502	0,503	11101,125	11303,527	36,195	9,231	11,436	4,955	53,130	9,410	960,070	2019-12-12 12:53
200,500	43,822	53,049	72,616	0,502	0,503	11082,919	11297,884	36,569	9,358	11,314	4,916	53,152	9,412	960,069	2019-12-12 12:54
200,833	43,841	53,042	72,586	0,502	0,503	11079,448	11265,225	37,370	9,403	11,236	4,897	52,872	9,387	960,070	2019-12-12 12:54
201,167	43,862	53,043	72,589	0,502	0,504	11059,004	11288,636	36,950	9,335	11,300	4,881	52,645	9,367	960,070	2019-12-12 12:54
201,500	43,884	53,040	72,558	0,502	0,503	11039,257	11260,896	39,129	9,465	11,210	4,915	52,918	9,391	960,069	2019-12-12 12:55
201,833	43,919	53,042	72,513	0,502	0,504	11019,087	11247,771	39,488	9,404	11,210	4,977	52,590	9,362	960,070	2019-12-12 12:55
202,167	43,955	53,054	72,531	0,502	0,503	10996,999	11243,259	39,299	9,397	11,250	4,958	52,845	9,385	960,069	2019-12-12 12:55
202,500	43,989	53,072	72,455	0,502	0,503	10985,785	11192,390	39,805	9,589	11,075	4,960	53,088	9,406	960,070	2019-12-12 12:56
202,833	44,035	53,091	72,457	0,502	0,505	10952,782	11208,669	40,224	9,833	10,881	4,942	53,229	9,419	960,070	2019-12-12 12:56
203,167	44,072	53,115	72,392	0,502	0,503	10938,390	11126,938	42,736	9,886	10,755	4,974	52,718	9,374	959,977	2019-12-12 12:56
203,500	44,092	53,130	72,428	0,502	0,504	10916,424	11154,161	45,512	9,923	10,732	4,924	52,507	9,355	960,070	2019-12-12 12:57
203,834	44,105	53,148	72,381	0,502	0,504	10896,859	11108,574	46,601	9,941	10,679	4,869	52,831	9,384	959,977	2019-12-12 12:57
204,167	44,116	53,157	72,348	0,502	0,503	10889,786	11079,228	47,104	10,024	10,598	4,906	52,937	9,393	959,978	2019-12-12 12:57
204,500	44,114	53,151	72,369	0,502	0,504	10880,976	11098,184	43,247	10,063	10,533	4,884	53,237	9,420	959,977	2019-12-12 12:58
204,834	44,106	53,165	72,302	0,502	0,503	10873,087	11045,807	41,735	10,117	10,503	4,955	53,292	9,424	959,978	2019-12-12 12:58
205,167	44,092	53,170	72,279	0,502	0,503	10871,577	11018,021	42,408	10,259	10,376	4,983	52,993	9,398	959,851	2019-12-12 12:58
205,500	44,073	53,152	72,289	0,502	0,504	10872,761	11055,689	43,239	10,218	10,353	4,907	53,288	9,424	959,977	2019-12-12 12:59
205,834	44,051	53,132	72,248	0,502	0,503	10867,268	11029,568	42,062	10,065	10,515	4,898	53,101	9,408	959,852	2019-12-12 12:59
206,167	44,023	53,126	72,252	0,501	0,504	10864,020	11046,929	40,142	10,070	10,562	4,949	53,191	9,416	959,851	2019-12-12 12:59
206,500	44,001	53,109	72,220	0,502	0,504	10876,402	11040,047	41,475	10,119	10,496	4,984	53,237	9,420	959,852	2019-12-12 13:00
206,833	43,981	53,095	72,210	0,501	0,503	10869,562	11032,834	45,927	9,998	10,583	4,986	53,018	9,400	959,851	2019-12-12 13:00
207,167	43,963	53,070	72,197	0,502	0,503	10885,609	11036,946	46,015	9,928	10,684	4,996	52,833	9,384	959,852	2019-12-12 13:00
207,500	43,955	53,042	72,193	0,501	0,503	10861,435	11039,561	51,055	10,017	10,583	4,928	53,599	9,452	959,852	2019-12-12 13:01
207,833	43,955	53,024	72,174	0,502	0,504	10906,625	11067,306	49,889	9,818	10,755	4,928	53,437	9,437	959,851	2019-12-12 13:01
208,167	43,958	52,999	72,163	0,501	0,503	11023,120	11059,111	46,053	9,848	10,778	4,945	53,626	9,454	959,758	2019-12-12 13:01
208,500	43,963	52,948	72,153	0,501	0,504	11108,747	11096,723	51,889	9,999	10,647	4,929	52,932	9,393	959,758	2019-12-12 13:02

Pellematic 56_cat II_run 2_191212.Dat

Category: II

	301	302	304	305	306	308	317	1311	1312	1313	1314	1315	1316	1317	1318	1101	1102
Mättid	CO chimney	CO2 chimney	Pdyn	Pstat	Static pressure chimney	O2 chimney	Våg	Flue gas temp	Ambient	Flue gas at pitot	filter temp 1	filter temp 2	gas meter temp 1	gas meter temp 2	gasmeter temp ambient		T4 outlet load side
Minuter	VDC	VDC	VDC	VDC	VDC	VDC	VDC	°C	°C	°C	°C	°C	°C	°C	°C	°C	°C
208,833	0,220	0,601	1,334	0,123	0,015	0,352	1,356	73,151	19,804	23,020	21,480	21,032	20,607	20,862	29,987	20,391	63,153
209,167	0,218	0,592	1,333	0,122	0,017	0,361	1,357	73,137	19,831	23,029	21,469	21,007	20,586	20,856	29,982	20,382	63,125
209,500	0,217	0,593	1,334	0,124	0,010	0,360	1,356	73,121	19,877	23,027	21,470	21,028	20,605	20,871	30,013	20,389	63,060
209,833	0,216	0,590	1,327	0,123	0,018	0,362	1,356	73,091	19,874	22,999	21,458	21,021	20,593	20,863	30,008	20,380	62,981
210,167	0,215	0,585	1,328	0,123	0,012	0,367	1,355	73,055	19,865	22,979	21,463	21,033	20,604	20,868	30,021	20,388	62,992
210,500	0,215	0,579	1,330	0,123	0,017	0,372	1,356	73,050	19,867	23,008	21,477	21,028	20,616	20,875	30,043	20,398	62,998
210,834	0,215	0,578	1,331	0,123	0,015	0,372	1,356	73,014	19,863	23,007	21,463	21,040	20,612	20,871	30,033	20,389	62,991
211,167	0,215	0,580	1,308	0,123	0,013	0,371	1,355	72,967	19,903	23,018	21,466	21,020	20,605	20,878	30,045	20,386	62,986
211,500	0,216	0,584	1,327	0,122	0,018	0,368	1,356	72,975	19,917	23,022	21,462	21,046	20,614	20,863	30,052	20,391	62,986
211,834	0,217	0,587	1,316	0,123	0,021	0,365	1,355	72,988	19,926	22,991	21,478	21,043	20,611	20,877	30,051	20,392	62,984
212,167	0,217	0,592	1,324	0,124	0,010	0,360	1,355	72,958	19,906	22,990	21,473	21,044	20,606	20,887	30,067	20,393	62,961
212,500	0,217	0,593	1,326	0,123	0,018	0,359	1,355	72,930	19,884	22,982	21,455	21,035	20,608	20,882	30,068	20,390	62,963
212,833	0,216	0,588	1,322	0,124	0,015	0,364	1,355	72,949	19,880	22,994	21,461	21,026	20,602	20,885	30,068	20,389	62,965
213,167	0,216	0,586	1,332	0,123	0,014	0,365	1,354	72,944	19,873	23,021	21,458	21,044	20,608	20,874	30,069	20,389	62,955
213,500	0,215	0,589	1,334	0,124	0,011	0,363	1,355	72,950	19,873	23,022	21,470	21,038	20,618	20,887	30,084	20,396	62,948
213,833	0,215	0,592	1,332	0,123	0,015	0,361	1,353	72,946	19,901	22,997	21,469	21,039	20,617	20,899	30,082	20,394	62,935
214,167	0,216	0,595	1,331	0,122	0,011	0,358	1,353	72,940	19,918	23,007	21,464	21,031	20,598	20,880	30,084	20,385	62,920
214,500	0,217	0,600	1,334	0,122	0,018	0,354	1,353	72,946	19,921	23,048	21,472	21,034	20,603	20,888	30,100	20,395	62,914
214,833	0,217	0,602	1,317	0,123	0,014	0,352	1,353	72,928	19,952	23,066	21,478	21,029	20,609	20,899	30,088	20,400	62,897
215,167	0,218	0,597	1,338	0,123	0,014	0,356	1,352	72,938	19,910	23,055	21,469	21,029	20,617	20,892	30,092	20,398	62,881
215,500	0,218	0,594	1,332	0,121	0,018	0,359	1,353	72,941	19,948	23,084	21,474	21,035	20,613	20,907	30,075	20,400	62,875
215,833	0,217	0,592	1,330	0,124	0,016	0,361	1,352	72,900	19,907	23,105	21,475	21,025	20,613	20,905	30,090	20,396	62,991
216,167	0,216	0,596	1,314	0,122	0,016	0,357	1,352	72,902	19,920	23,150	21,490	21,050	20,606	20,910	30,110	20,404	62,947
216,500	0,217	0,599	1,309	0,123	0,013	0,355	1,352	72,906	19,857	23,127	21,472	21,033	20,608	20,904	30,101	20,397	62,937
216,833	0,218	0,604	1,309	0,124	0,015	0,350	1,352	72,871	19,697	23,099	21,444	21,010	20,589	20,901	30,098	20,394	62,940
217,167	0,218	0,609	1,297	0,122	0,020	0,346	1,352	72,881	19,512	23,107	21,425	20,990	20,584	20,896	30,091	20,392	62,945
217,500	0,218	0,604	1,322	0,123	0,016	0,350	1,352	72,894	19,420	23,097	21,396	20,977	20,571	20,917	30,093	20,398	62,931
217,834	0,218	0,601	1,324	0,123	0,017	0,352	1,350	72,901	19,173	23,078	21,369	20,961	20,573	20,924	30,078	20,398	62,924
218,167	0,217	0,597	1,322	0,124	0,013	0,356	1,350	72,876	19,346	23,073	21,341	20,941	20,553	20,917	30,061	20,398	62,924
218,500	0,217	0,591	1,331	0,124	0,019	0,361	1,350	72,845	19,301	23,064	21,311	20,915	20,546	20,914	30,040	20,398	62,914
218,834	0,216	0,588	1,334	0,124	0,015	0,363	1,350	72,841	19,270	23,032	21,292	20,915	20,529	20,909	30,040	20,394	62,904
219,167	0,216	0,593	1,316	0,123	0,014	0,357	1,350	72,812	19,330	22,992	21,293	20,892	20,525	20,913	30,036	20,393	62,893
219,500	0,217	0,600	1,312	0,122	0,011	0,354	1,350	72,802	19,400	23,032	21,283	20,888	20,515	20,901	30,012	20,383	62,890
219,833	0,219	0,601	1,314	0,124	0,008	0,353	1,350	72,781	19,460	23,035	21,288	20,882	20,516	20,902	30,012	20,385	62,888
220,167	0,219	0,607	1,305	0,124	0,009	0,348	1,350	72,777	19,472	23,034	21,298	20,879	20,509	20,914	30,002	20,388	63,321
220,500	0,217	0,604	1,297	0,122	0,018	0,351	1,350	72,744	19,497	23,039	21,290	20,885	20,514	20,898	30,021	20,388	63,244
220,833	0,217	0,599	1,306	0,123	0,014	0,356	1,350	72,726	19,517	22,965	21,282	20,880	20,503	20,898	29,990	20,384	63,204

Pellematic 56_cat II_run 2_191212.Dat

Category: II

	1103	1108	1109	130	230	101	102	1	2	3	6	7	8	11	
Mättid	T3 inlet load side	T2 inlet boiler	T1 outlet boiler	Flow load side	Flow boiler side	Heat output load side	Heat output boiler	CO chimney	CO2 chimney	O2 chimney	Pstat	Pdyn	Tunnel velocity	Våg	Tidpunkt
Minuter	°C	°C	°C	m³/h	m³/h	W	W	ppm	%	%	Pa	Pa	m/s	kg	Klockan
208,833	43,971	52,823	72,142	0,502	0,504	11078,720	11166,845	52,392	10,010	10,572	4,920	53,089	9,406	959,758	2019-12-12 13:02
209,167	43,958	52,733	72,113	0,501	0,503	11060,380	11184,210	46,099	9,767	10,821	4,899	53,376	9,432	959,852	2019-12-12 13:02
209,500	43,950	52,682	72,095	0,502	0,502	11031,285	11183,624	45,002	9,818	10,785	4,969	53,255	9,421	959,758	2019-12-12 13:03
209,833	43,936	52,651	72,112	0,502	0,503	11004,199	11231,904	41,481	9,696	10,866	4,935	53,097	9,407	959,757	2019-12-12 13:03
210,167	43,932	52,653	72,127	0,501	0,503	10994,625	11246,252	41,478	9,579	11,005	4,918	53,086	9,406	959,664	2019-12-12 13:03
210,500	43,929	52,673	72,089	0,502	0,503	11005,760	11198,743	41,148	9,428	11,170	4,922	53,204	9,417	959,758	2019-12-12 13:04
210,834	43,928	52,673	72,112	0,502	0,503	11009,325	11216,760	40,636	9,472	11,165	4,929	53,010	9,399	959,758	2019-12-12 13:04
211,167	43,938	52,670	72,072	0,501	0,504	10988,315	11209,829	40,638	9,521	11,129	4,911	52,235	9,330	959,664	2019-12-12 13:04
211,500	43,957	52,668	72,092	0,501	0,503	10972,594	11204,676	43,576	9,597	11,032	4,893	52,995	9,398	959,757	2019-12-12 13:05
211,834	43,969	52,677	72,027	0,502	0,503	10982,825	11168,285	45,425	9,701	10,940	4,914	52,571	9,360	959,757	2019-12-12 13:05
212,167	43,987	52,668	72,037	0,502	0,503	10954,828	11178,334	47,097	9,843	10,798	4,957	53,020	9,400	959,664	2019-12-12 13:05
212,500	44,003	52,666	71,993	0,501	0,503	10937,005	11149,973	45,704	9,807	10,768	4,934	52,852	9,385	959,664	2019-12-12 13:06
212,833	44,011	52,672	71,996	0,502	0,502	10937,632	11138,600	43,920	9,646	10,927	4,969	52,661	9,368	959,664	2019-12-12 13:06
213,167	44,022	52,674	71,936	0,501	0,503	10920,911	11123,188	42,908	9,647	10,960	4,932	53,369	9,431	959,570	2019-12-12 13:06
213,500	44,033	52,689	71,976	0,502	0,503	10916,857	11139,182	40,390	9,726	10,894	4,961	53,370	9,431	959,664	2019-12-12 13:07
213,833	44,034	52,688	71,914	0,502	0,503	10914,201	11089,798	40,893	9,806	10,828	4,929	53,092	9,407	959,570	2019-12-12 13:07
214,167	44,021	52,681	71,952	0,501	0,503	10897,273	11123,923	45,255	9,895	10,748	4,890	53,326	9,427	959,570	2019-12-12 13:07
214,500	44,016	52,686	71,921	0,502	0,502	10906,944	11081,739	44,430	10,037	10,613	4,894	53,278	9,423	959,570	2019-12-12 13:08
214,833	44,009	52,674	71,890	0,502	0,503	10904,137	11092,657	46,174	10,019	10,572	4,928	52,772	9,378	959,570	2019-12-12 13:08
215,167	44,008	52,666	71,864	0,502	0,503	10894,523	11073,455	49,454	9,890	10,694	4,929	53,643	9,455	959,478	2019-12-12 13:08
215,500	44,004	52,654	71,844	0,501	0,503	10887,205	11082,712	48,706	9,833	10,760	4,841	53,135	9,411	959,571	2019-12-12 13:09
215,833	44,016	52,656	71,835	0,502	0,503	10955,548	11060,487	44,670	9,830	10,816	4,950	53,334	9,428	959,570	2019-12-12 13:09
216,167	44,022	52,624	71,838	0,502	0,503	10921,766	11094,162	41,898	9,922	10,707	4,880	52,262	9,333	959,478	2019-12-12 13:09
216,500	44,034	52,594	71,827	0,502	0,503	10908,892	11096,953	46,683	9,996	10,644	4,910	52,583	9,362	959,478	2019-12-12 13:10
216,833	44,047	52,582	71,810	0,502	0,504	10908,138	11107,431	46,944	10,144	10,490	4,962	52,057	9,315	959,478	2019-12-12 13:10
217,167	44,060	52,574	71,782	0,501	0,503	10894,717	11080,950	49,669	10,238	10,368	4,891	51,941	9,304	959,478	2019-12-12 13:10
217,500	44,069	52,567	71,777	0,501	0,503	10879,286	11074,272	47,519	10,066	10,499	4,922	53,119	9,409	959,478	2019-12-12 13:11
217,834	44,072	52,556	71,809	0,502	0,503	10881,817	11118,922	50,117	9,997	10,557	4,938	53,059	9,404	959,347	2019-12-12 13:11
218,167	44,070	52,570	71,779	0,501	0,503	10877,671	11073,489	45,333	9,890	10,679	4,953	53,151	9,412	959,348	2019-12-12 13:11
218,500	44,072	52,562	71,777	0,501	0,503	10865,992	11097,259	44,997	9,724	10,840	4,942	53,376	9,432	959,348	2019-12-12 13:12
218,834	44,062	52,571	71,764	0,501	0,503	10870,115	11074,294	43,376	9,745	10,882	4,970	53,591	9,451	959,348	2019-12-12 13:12
219,167	44,064	52,564	71,764	0,501	0,503	10860,996	11075,801	44,152	9,880	10,721	4,906	52,473	9,352	959,348	2019-12-12 13:12
219,500	44,068	52,556	71,747	0,502	0,503	10876,298	11065,307	47,270	10,025	10,612	4,891	52,186	9,326	959,348	2019-12-12 13:13
219,833	44,085	52,546	71,733	0,501	0,503	10843,397	11068,015	51,634	10,049	10,599	4,945	52,589	9,362	959,348	2019-12-12 13:13
220,167	44,107	52,546	71,727	0,501	0,503	11074,247	11070,779	50,374	10,203	10,427	4,966	52,185	9,326	959,348	2019-12-12 13:13
220,500	44,133	52,494	71,723	0,502	0,503	11028,811	11091,917	46,598	10,066	10,535	4,881	52,018	9,311	959,348	2019-12-12 13:14
220,833	44,159	52,379	71,677	0,501	0,504	10988,822	11148,067	46,342	9,944	10,672	4,909	52,088	9,317	959,348	2019-12-12 13:14

Pellematic 56_cat II_run 2_191212.Dat

Category: II

	301	302	304	305	306	308	317	1311	1312	1313	1314	1315	1316	1317	1318	1101	1102
Mättid	CO chimney	CO2 chimney	Pdyn	Pstat	Static pressure chimney	O2 chimney	Våg	Flue gas temp	Ambient	Flue gas at pitot	filter temp 1	filter temp 2	gas meter temp 1	gas meter temp 2	gasmeter temp ambient		T4 outlet load side
Minuter	VDC	VDC	VDC	VDC	VDC	VDC	VDC	°C	°C	°C	°C	°C	°C	°C	°C	°C	°C
221,167	0,218	0,605	1,309	0,124	0,015	0,349	1,350	72,732	19,546	22,929	21,293	20,880	20,499	20,900	29,976	20,385	63,188
221,500	0,218	0,615	1,314	0,124	0,015	0,341	1,349	72,693	19,581	22,954	21,284	20,863	20,491	20,895	29,964	20,378	63,190
221,833	0,218	0,614	1,329	0,124	0,009	0,343	1,349	72,732	19,607	23,008	21,305	20,888	20,488	20,901	29,962	20,384	63,101
222,167	0,217	0,609	1,324	0,123	0,014	0,345	1,349	72,687	19,617	22,949	21,283	20,865	20,481	20,887	29,967	20,376	63,116
222,500	0,218	0,614	1,309	0,124	0,016	0,342	1,348	72,668	19,653	22,966	21,291	20,874	20,486	20,897	29,977	20,378	63,121
222,833	0,221	0,621	1,319	0,123	0,018	0,335	1,348	72,656	19,688	22,982	21,293	20,859	20,478	20,899	29,971	20,376	63,119
223,167	0,220	0,615	1,312	0,123	0,011	0,342	1,348	72,625	19,689	22,964	21,287	20,870	20,478	20,894	29,951	20,377	63,109
223,500	0,218	0,605	1,310	0,122	0,011	0,349	1,348	72,586	19,660	22,997	21,298	20,866	20,469	20,898	29,946	20,375	62,867
223,833	0,218	0,603	1,314	0,124	0,010	0,352	1,348	72,569	19,686	22,995	21,294	20,873	20,468	20,889	29,939	20,377	62,685
224,167	0,218	0,598	1,315	0,124	0,010	0,356	1,348	72,563	19,723	22,995	21,293	20,872	20,474	20,904	29,933	20,376	62,803
224,500	0,217	0,593	1,304	0,124	0,017	0,360	1,347	72,571	19,751	23,001	21,290	20,867	20,466	20,902	29,929	20,376	62,849
224,834	0,218	0,593	1,306	0,123	0,020	0,359	1,347	72,567	19,755	23,015	21,298	20,862	20,461	20,903	29,944	20,380	62,831
225,167	0,218	0,598	1,312	0,123	0,020	0,355	1,347	72,544	19,751	23,002	21,291	20,867	20,459	20,895	29,943	20,378	62,856
225,500	0,219	0,600	1,306	0,123	0,011	0,354	1,347	72,526	19,772	22,933	21,295	20,875	20,463	20,918	29,949	20,384	62,835
225,834	0,219	0,598	1,319	0,125	0,017	0,355	1,347	72,531	19,782	22,978	21,294	20,882	20,461	20,903	29,947	20,381	62,831
226,167	0,220	0,599	1,332	0,125	0,008	0,354	1,347	72,514	19,800	23,019	21,302	20,880	20,459	20,909	29,968	20,384	62,940
226,500	0,219	0,591	1,311	0,123	0,011	0,362	1,346	72,497	19,802	22,984	21,296	20,863	20,452	20,909	29,953	20,376	63,216
226,833	0,217	0,585	1,319	0,123	0,008	0,367	1,345	72,490	19,799	22,913	21,291	20,864	20,457	20,904	29,960	20,378	63,129
227,167	0,216	0,585	1,318	0,123	0,014	0,366	1,345	72,509	19,835	22,985	21,303	20,882	20,465	20,921	29,962	20,381	63,098
227,500	0,217	0,588	1,317	0,123	0,013	0,364	1,345	72,495	19,821	22,998	21,312	20,864	20,453	20,912	29,949	20,379	63,089
227,833	0,217	0,581	1,314	0,125	0,019	0,371	1,345	72,473	19,902	22,968	21,305	20,869	20,459	20,910	29,956	20,380	63,088
228,167	0,216	0,576	1,319	0,125	0,021	0,374	1,345	72,403	19,922	22,952	21,290	20,865	20,448	20,913	29,945	20,378	63,078
228,500	0,215	0,581	1,314	0,125	0,017	0,369	1,345	72,350	19,933	22,953	21,296	20,864	20,445	20,902	29,952	20,377	63,066
228,833	0,214	0,585	1,309	0,125	0,018	0,367	1,345	72,329	19,921	22,942	21,302	20,874	20,450	20,931	29,957	20,385	63,050
229,167	0,214	0,584	1,314	0,125	0,021	0,368	1,345	72,326	19,958	22,874	21,293	20,861	20,452	20,913	29,962	20,379	63,045
229,500	0,214	0,585	1,302	0,125	0,022	0,366	1,344	72,326	19,917	22,891	21,293	20,876	20,446	20,921	29,947	20,380	63,043
229,833	0,215	0,588	1,301	0,124	0,013	0,364	1,344	72,291	19,937	22,927	21,290	20,860	20,449	20,915	29,949	20,380	62,937
230,167	0,216	0,583	1,310	0,124	0,013	0,369	1,345	72,290	19,949	22,885	21,270	20,853	20,448	20,916	29,943	20,376	62,937
230,500	0,215	0,580	1,316	0,124	0,013	0,371	1,344	72,299	19,970	22,900	21,288	20,866	20,446	20,920	29,942	20,382	62,937
230,834	0,215	0,581	1,298	0,123	0,014	0,369	1,344	72,252	19,941	22,881	21,282	20,854	20,444	20,927	29,951	20,380	62,914
231,167	0,215	0,584	1,300	0,122	0,008	0,367	1,344	72,217	19,947	22,868	21,274	20,859	20,448	20,931	29,946	20,384	62,904
231,500	0,216	0,586	1,320	0,125	0,011	0,365	1,344	72,227	19,947	22,907	21,273	20,868	20,448	20,927	29,951	20,386	62,904
231,834	0,215	0,590	1,309	0,125	0,011	0,361	1,344	72,199	19,971	22,928	21,278	20,861	20,431	20,928	29,930	20,382	62,893
232,167	0,215	0,602	1,314	0,124	0,016	0,350	1,343	72,227	20,036	22,936	21,294	20,867	20,446	20,931	29,944	20,388	62,884
232,500	0,216	0,608	1,314	0,121	0,017	0,346	1,344	72,173	19,977	22,927	21,277	20,859	20,431	20,932	29,935	20,381	62,871
232,834	0,217	0,617	1,313	0,122	0,019	0,339	1,342	72,158	20,007	22,986	21,291	20,867	20,440	20,935	29,938	20,384	62,863
233,167	0,217	0,620	1,315	0,121	0,016	0,336	1,342	72,167	20,004	22,972	21,289	20,865	20,435	20,933	29,955	20,388	62,853

Pellematic 56_cat II_run 2_191212.Dat

Category: II

	1103	1108	1109	130	230	101	102	1	2	3	6	7	8	11	
Mättid	T3 inlet load side	T2 inlet boiler	T1 outlet boiler	Flow load side	Flow boiler side	Heat output load side	Heat output boiler	CO chimney	CO2 chimney	O2 chimney	Pstat	Pdyn	Tunnel velocity	Våg	Tidpunkt
Minuter	°C	°C	°C	m³/h	m³/h	W	W	ppm	%	%	Pa	Pa	m/s	kg	Klockan
221,167	44,188	52,338	71,698	0,501	0,503	10960,569	11174,020	47,715	10,200	10,479	4,941	52,303	9,337	959,348	2019-12-12 13:14
221,500	44,204	52,320	71,685	0,501	0,503	10952,394	11183,771	48,040	10,385	10,223	4,968	52,809	9,382	959,254	2019-12-12 13:15
221,833	44,209	52,337	71,698	0,501	0,503	10888,501	11175,097	47,433	10,297	10,284	4,961	52,994	9,398	959,348	2019-12-12 13:15
222,167	44,204	52,359	71,684	0,501	0,504	10900,273	11166,826	45,421	10,254	10,365	4,913	52,621	9,365	959,254	2019-12-12 13:15
222,500	44,200	52,399	71,675	0,501	0,503	10913,421	11129,433	49,065	10,383	10,251	4,975	52,439	9,349	959,254	2019-12-12 13:16
222,833	44,188	52,410	71,681	0,501	0,503	10912,388	11124,207	56,343	10,567	10,060	4,937	52,591	9,362	959,254	2019-12-12 13:16
223,167	44,181	52,403	71,692	0,501	0,503	10910,858	11135,742	50,560	10,294	10,260	4,930	52,793	9,380	959,254	2019-12-12 13:16
223,500	44,171	52,397	71,673	0,501	0,502	10779,401	11112,062	48,271	10,104	10,483	4,894	52,280	9,335	959,253	2019-12-12 13:17
223,833	44,169	52,413	71,626	0,501	0,503	10674,658	11093,861	48,785	10,045	10,555	4,942	52,368	9,342	959,254	2019-12-12 13:17
224,167	44,163	52,518	71,610	0,501	0,504	10744,217	11030,321	47,945	9,897	10,684	4,976	53,025	9,401	959,254	2019-12-12 13:17
224,500	44,157	52,600	71,613	0,501	0,503	10777,265	10964,301	46,685	9,821	10,795	4,969	51,900	9,301	959,160	2019-12-12 13:18
224,834	44,155	52,597	71,622	0,501	0,503	10766,314	10979,329	49,533	9,830	10,775	4,919	52,509	9,355	959,160	2019-12-12 13:18
225,167	44,147	52,594	71,605	0,501	0,503	10784,930	10969,749	49,953	9,969	10,646	4,906	52,285	9,335	959,160	2019-12-12 13:18
225,500	44,137	52,579	71,601	0,501	0,504	10771,712	10990,355	49,372	9,991	10,612	4,915	52,163	9,324	959,160	2019-12-12 13:19
225,834	44,129	52,581	71,596	0,501	0,503	10779,444	10963,095	52,307	9,949	10,660	4,998	53,168	9,413	959,160	2019-12-12 13:19
226,167	44,115	52,570	71,597	0,501	0,502	10848,974	10960,780	54,156	9,953	10,632	5,011	53,442	9,438	959,160	2019-12-12 13:19
226,500	44,102	52,546	71,613	0,501	0,503	11019,728	11010,845	49,464	9,683	10,868	4,922	52,206	9,328	959,066	2019-12-12 13:20
226,833	44,094	52,441	71,600	0,501	0,503	10971,250	11052,554	45,761	9,613	11,004	4,926	53,256	9,421	959,066	2019-12-12 13:20
227,167	44,080	52,340	71,568	0,501	0,504	10965,884	11108,242	41,734	9,599	10,984	4,919	52,492	9,353	959,065	2019-12-12 13:20
227,500	44,070	52,295	71,576	0,501	0,503	10965,164	11124,920	46,930	9,691	10,912	4,921	52,858	9,386	959,066	2019-12-12 13:21
227,833	44,064	52,269	71,562	0,501	0,503	10972,708	11143,173	44,360	9,456	11,119	4,988	52,536	9,357	959,066	2019-12-12 13:21
228,167	44,061	52,246	71,556	0,501	0,503	10965,692	11152,238	42,063	9,409	11,228	4,988	52,839	9,384	959,066	2019-12-12 13:21
228,500	44,056	52,236	71,546	0,501	0,502	10958,515	11125,037	38,804	9,591	11,065	4,984	52,565	9,360	959,066	2019-12-12 13:22
228,833	44,055	52,224	71,544	0,501	0,503	10951,927	11159,197	37,366	9,603	10,996	5,018	52,366	9,342	959,066	2019-12-12 13:22
229,167	44,045	52,218	71,537	0,501	0,503	10951,905	11149,693	37,616	9,576	11,026	4,981	52,512	9,355	959,066	2019-12-12 13:22
229,500	44,036	52,210	71,483	0,501	0,503	10954,801	11125,608	41,142	9,663	10,971	4,989	52,070	9,316	958,973	2019-12-12 13:23
229,833	44,023	52,210	71,530	0,501	0,502	10912,119	11116,867	40,805	9,719	10,909	4,972	52,056	9,315	958,973	2019-12-12 13:23
230,167	44,007	52,200	71,507	0,501	0,503	10920,245	11146,212	42,983	9,519	11,078	4,953	52,221	9,329	959,066	2019-12-12 13:23
230,500	43,991	52,223	71,477	0,501	0,502	10928,598	11090,899	38,794	9,487	11,140	4,951	52,407	9,346	958,973	2019-12-12 13:24
230,834	43,975	52,217	71,466	0,501	0,502	10915,604	11078,911	40,729	9,566	11,080	4,909	51,862	9,297	958,974	2019-12-12 13:24
231,167	43,970	52,202	71,477	0,501	0,502	10908,293	11099,867	42,149	9,609	10,995	4,899	52,011	9,310	958,974	2019-12-12 13:24
231,500	43,965	52,188	71,454	0,501	0,503	10912,684	11109,127	42,816	9,624	10,962	5,004	52,920	9,391	958,973	2019-12-12 13:25
231,834	43,966	52,189	71,406	0,501	0,503	10901,430	11099,001	41,388	9,846	10,831	5,001	52,088	9,317	958,973	2019-12-12 13:25
232,167	43,968	52,187	71,395	0,501	0,503	10902,273	11081,937	41,208	10,122	10,513	4,946	52,591	9,362	958,848	2019-12-12 13:25
232,500	43,960	52,193	71,394	0,501	0,503	10900,944	11072,756	42,743	10,240	10,377	4,821	52,379	9,343	958,973	2019-12-12 13:26
232,834	43,961	52,183	71,390	0,501	0,504	10898,650	11096,795	46,435	10,483	10,158	4,888	52,533	9,357	958,847	2019-12-12 13:26
233,167	43,962	52,183	71,374	0,501	0,502	10884,663	11043,362	45,172	10,488	10,083	4,834	52,484	9,353	958,848	2019-12-12 13:26

Pellematic 56_cat II_run 2_191212.Dat

Category: II

	301	302	304	305	306	308	317	1311	1312	1313	1314	1315	1316	1317	1318	1101	1102
Mättid	CO chimney	CO2 chimney	Pdyn	Pstat	Static pressure chimney	O2 chimney	Våg	Flue gas temp	Ambient	Flue gas at pitot	filter temp 1	filter temp 2	gas meter temp 1	gas meter temp 2	gasmeter temp ambient		T4 outlet load side
Minuter	VDC	VDC	VDC	VDC	VDC	VDC	VDC	°C	°C	°C	°C	°C	°C	°C	°C	°C	°C
233,500	0,218	0,611	1,321	0,122	0,010	0,345	1,342	72,168	20,011	22,944	21,286	20,862	20,439	20,939	29,962	20,388	62,843
233,833	0,219	0,600	1,309	0,123	0,015	0,354	1,342	72,145	19,964	22,891	21,283	20,865	20,440	20,932	29,954	20,386	62,976
234,167	0,219	0,599	1,307	0,123	0,014	0,355	1,342	72,155	19,981	22,871	21,280	20,865	20,432	20,926	29,945	20,387	62,918
234,500	0,217	0,594	1,303	0,124	0,010	0,359	1,342	72,147	20,008	22,882	21,272	20,863	20,439	20,940	29,953	20,391	62,908
234,833	0,215	0,588	1,298	0,122	0,012	0,364	1,341	72,116	19,985	22,909	21,275	20,858	20,433	20,939	29,945	20,390	62,883
235,167	0,216	0,591	1,312	0,124	0,017	0,360	1,340	72,120	19,992	22,911	21,283	20,858	20,432	20,948	29,937	20,395	62,889
235,500	0,217	0,594	1,308	0,123	0,008	0,359	1,340	72,081	19,989	22,882	21,269	20,858	20,433	20,932	29,927	20,389	62,877
235,833	0,217	0,592	1,305	0,124	0,010	0,361	1,340	72,072	19,963	22,914	21,286	20,852	20,426	20,941	29,918	20,390	62,871
236,167	0,218	0,593	1,301	0,124	0,014	0,360	1,340	72,060	19,984	22,903	21,267	20,847	20,419	20,946	29,917	20,392	62,864
236,500	0,217	0,590	1,317	0,123	0,016	0,361	1,339	72,054	19,992	22,881	21,267	20,850	20,428	20,948	29,913	20,396	62,877
236,833	0,218	0,588	1,312	0,122	0,018	0,364	1,340	72,019	20,013	22,868	21,270	20,847	20,435	20,944	29,919	20,396	62,937
237,167	0,219	0,590	1,306	0,121	0,013	0,362	1,340	72,007	20,024	22,874	21,256	20,848	20,430	20,948	29,925	20,392	63,286
237,500	0,219	0,594	1,333	0,123	0,011	0,358	1,339	72,028	20,036	22,884	21,260	20,843	20,445	20,947	29,933	20,395	63,212
237,834	0,217	0,593	1,304	0,122	0,017	0,360	1,339	72,035	20,027	22,859	21,254	20,839	20,432	20,946	29,935	20,394	63,180
238,167	0,217	0,596	1,306	0,123	0,015	0,358	1,339	72,026	20,037	22,843	21,254	20,838	20,429	20,941	29,924	20,394	63,182
238,500	0,219	0,597	1,314	0,125	0,009	0,356	1,339	72,018	20,092	22,849	21,258	20,836	20,424	20,946	29,920	20,396	63,183
238,834	0,217	0,601	1,309	0,124	0,010	0,352	1,339	72,002	20,066	22,860	21,259	20,839	20,431	20,948	29,917	20,395	63,186
239,167	0,216	0,607	1,322	0,124	0,021	0,348	1,339	71,980	20,070	22,856	21,266	20,841	20,431	20,956	29,932	20,398	63,198
239,500	0,217	0,599	1,321	0,124	0,018	0,354	1,337	71,958	20,068	22,873	21,265	20,829	20,434	20,952	29,930	20,398	63,096
239,834	0,216	0,599	1,308	0,123	0,011	0,354	1,338	71,927	20,113	22,878	21,270	20,830	20,433	20,960	29,926	20,398	63,103
240,167	0,217	0,600	1,315	0,125	0,012	0,353	1,338	71,931	20,071	22,869	21,265	20,829	20,437	20,952	29,924	20,398	63,089
240,500	0,215	0,593	1,319	0,124	0,011	0,360	1,338	71,909	20,051	22,868	21,243	20,821	20,425	20,955	29,928	20,400	63,086
240,833	0,214	0,583	1,322	0,122	0,009	0,368	1,337	71,883	20,023	22,885	21,261	20,827	20,427	20,956	29,928	20,405	63,066
241,167	0,214	0,584	1,318	0,123	0,011	0,367	1,337	71,834	20,046	22,926	21,264	20,823	20,432	20,966	29,930	20,404	63,049
241,500	0,215	0,590	1,310	0,124	0,009	0,362	1,337	71,817	20,067	22,906	21,263	20,829	20,432	20,960	29,927	20,406	63,053
241,833	0,216	0,586	1,309	0,122	0,019	0,366	1,336	71,841	20,086	22,917	21,265	20,830	20,428	20,955	29,928	20,409	62,612
242,167	0,216	0,587	1,302	0,121	0,010	0,364	1,337	71,811	20,056	22,877	21,265	20,825	20,428	20,953	29,923	20,407	62,679
242,500	0,216	0,592	1,306	0,123	0,011	0,361	1,337	71,838	20,048	22,868	21,259	20,819	20,438	20,962	29,925	20,410	62,830
242,833	0,216	0,590	1,305	0,123	0,017	0,362	1,336	71,841	20,039	22,879	21,267	20,829	20,433	20,968	29,926	20,414	62,802
243,167	0,215	0,591	1,298	0,123	0,013	0,361	1,336	71,798	20,069	22,844	21,257	20,822	20,440	20,972	29,922	20,413	62,784
243,500	0,216	0,601	1,310	0,124	0,019	0,353	1,336	71,803	20,078	22,870	21,259	20,819	20,429	20,968	29,921	20,408	62,765
243,833	0,216	0,603	1,312	0,123	0,018	0,350	1,336	71,820	20,082	22,861	21,253	20,821	20,430	20,975	29,901	20,407	62,738
244,167	0,217	0,602	1,307	0,122	0,021	0,351	1,336	71,805	20,092	22,870	21,258	20,819	20,435	20,970	29,904	20,408	62,963
244,500	0,217	0,602	1,308	0,123	0,018	0,351	1,336	71,810	20,098	22,853	21,261	20,835	20,439	20,978	29,896	20,411	63,074
244,833	0,217	0,605	1,309	0,123	0,013	0,349	1,336	71,770	20,103	22,820	21,253	20,804	20,428	20,966	29,894	20,410	63,018
245,167	0,216	0,603	1,292	0,122	0,012	0,351	1,335	71,760	20,100	22,859	21,251	20,819	20,432	20,959	29,886	20,406	62,988
245,500	0,216	0,606	1,301	0,122	0,018	0,348	1,336	71,797	20,116	22,926	21,253	20,816	20,434	20,974	29,903	20,411	62,974

Pellematic 56_cat II_run 2_191212.Dat

Category: II

	1103	1108	1109	130	230	101	102	1	2	3	6	7	8	11	
Mättid	T3 inlet load side	T2 inlet boiler	T1 outlet boiler	Flow load side	Flow boiler side	Heat output load side	Heat output boiler	CO chimney	CO2 chimney	O2 chimney	Pstat	Pdyn	Tunnel velocity	Våg	Tidpunkt
Minuter	°C	°C	°C	m³/h	m³/h	W	W	ppm	%	%	Pa	Pa	m/s	kg	Klockan
233,500	43,959	52,169	71,361	0,501	0,504	10881,341	11090,022	49,630	10,198	10,347	4,886	53,016	9,400	958,848	2019-12-12 13:27
233,833	43,953	52,168	71,341	0,501	0,503	10972,965	11054,720	51,291	9,955	10,625	4,900	52,301	9,336	958,848	2019-12-12 13:27
234,167	43,954	52,135	71,334	0,501	0,502	10937,066	11061,552	49,034	9,969	10,638	4,911	52,417	9,347	958,847	2019-12-12 13:27
234,500	43,948	52,085	71,346	0,501	0,502	10932,003	11088,985	44,754	9,819	10,775	4,948	52,049	9,314	958,848	2019-12-12 13:28
234,833	43,949	52,065	71,330	0,501	0,502	10909,853	11095,672	40,983	9,697	10,926	4,879	52,388	9,344	958,753	2019-12-12 13:28
235,167	43,949	52,046	71,299	0,501	0,501	10918,705	11077,748	45,089	9,837	10,811	4,941	52,693	9,371	958,753	2019-12-12 13:28
235,500	43,950	52,025	71,316	0,501	0,502	10915,462	11111,123	45,767	9,846	10,756	4,915	52,115	9,320	958,753	2019-12-12 13:29
235,833	43,963	52,017	71,305	0,501	0,503	10902,139	11140,328	47,526	9,780	10,818	4,941	51,775	9,289	958,753	2019-12-12 13:29
236,167	43,999	52,033	71,276	0,501	0,503	10874,658	11101,431	46,179	9,815	10,796	4,949	51,949	9,305	958,753	2019-12-12 13:29
236,500	44,037	52,039	71,257	0,501	0,504	10861,086	11109,911	47,604	9,733	10,837	4,927	52,974	9,396	958,753	2019-12-12 13:30
236,833	44,092	52,062	71,243	0,501	0,504	10872,881	11082,859	47,774	9,691	10,922	4,874	52,100	9,318	958,753	2019-12-12 13:30
237,167	44,151	52,079	71,241	0,501	0,503	11028,538	11068,441	51,122	9,780	10,850	4,855	52,325	9,339	958,753	2019-12-12 13:30
237,500	44,210	51,998	71,201	0,501	0,502	10952,850	11064,209	50,969	9,868	10,748	4,936	53,448	9,438	958,660	2019-12-12 13:31
237,834	44,262	51,933	71,201	0,501	0,503	10913,458	11109,925	45,985	9,833	10,790	4,892	51,900	9,301	958,659	2019-12-12 13:31
238,167	44,304	51,903	71,249	0,501	0,502	10881,981	11146,359	47,104	9,927	10,738	4,931	52,231	9,330	958,659	2019-12-12 13:31
238,500	44,333	51,927	71,178	0,501	0,502	10867,564	11099,745	49,536	9,923	10,693	5,003	52,469	9,351	958,660	2019-12-12 13:32
238,834	44,343	51,957	71,166	0,501	0,504	10859,560	11105,278	45,760	10,083	10,556	4,958	52,475	9,352	958,659	2019-12-12 13:32
239,167	44,345	51,983	71,168	0,501	0,503	10865,060	11075,880	43,765	10,161	10,426	4,959	52,987	9,397	958,660	2019-12-12 13:32
239,500	44,336	52,004	71,170	0,501	0,502	10818,205	11032,673	45,087	9,955	10,628	4,951	53,063	9,404	958,566	2019-12-12 13:33
239,834	44,315	52,008	71,137	0,502	0,503	10843,249	11044,903	43,240	10,016	10,617	4,915	52,382	9,344	958,659	2019-12-12 13:33
240,167	44,295	52,015	71,118	0,501	0,503	10835,867	11022,458	45,343	9,995	10,593	4,980	52,913	9,391	958,566	2019-12-12 13:33
240,500	44,273	52,027	71,116	0,501	0,503	10850,172	11015,945	39,552	9,728	10,803	4,952	52,460	9,351	958,566	2019-12-12 13:34
240,833	44,260	52,018	71,118	0,502	0,502	10855,343	11009,842	38,534	9,560	11,052	4,890	52,935	9,393	958,566	2019-12-12 13:34
241,167	44,242	51,998	71,116	0,501	0,504	10833,478	11052,562	38,374	9,656	11,015	4,930	52,640	9,367	958,566	2019-12-12 13:34
241,500	44,229	51,996	71,121	0,501	0,502	10846,606	11020,644	41,640	9,764	10,859	4,956	52,453	9,350	958,566	2019-12-12 13:35
241,833	44,214	51,985	71,091	0,501	0,503	10605,728	11029,579	42,644	9,647	10,972	4,865	52,347	9,340	958,566	2019-12-12 13:35
242,167	44,196	52,057	71,082	0,501	0,503	10656,012	10986,512	43,410	9,673	10,934	4,843	51,947	9,305	958,566	2019-12-12 13:35
242,500	44,178	52,150	71,060	0,501	0,503	10759,235	10913,366	43,494	9,817	10,819	4,914	52,357	9,341	958,566	2019-12-12 13:36
242,833	44,167	52,173	71,071	0,501	0,503	10747,303	10903,825	42,822	9,725	10,862	4,907	52,175	9,325	958,566	2019-12-12 13:36
243,167	44,152	52,147	71,023	0,501	0,503	10736,698	10891,381	41,417	9,802	10,837	4,900	51,813	9,293	958,474	2019-12-12 13:36
243,500	44,133	52,132	71,007	0,501	0,502	10744,172	10879,248	42,644	10,064	10,593	4,963	52,578	9,361	958,473	2019-12-12 13:37
243,833	44,121	52,100	71,027	0,501	0,502	10737,846	10902,887	41,800	10,080	10,508	4,909	52,521	9,356	958,473	2019-12-12 13:37
244,167	44,111	52,067	71,025	0,501	0,502	10859,356	10919,182	47,352	10,024	10,544	4,879	52,222	9,329	958,474	2019-12-12 13:37
244,500	44,101	52,035	70,982	0,501	0,503	10941,797	10934,843	45,166	10,100	10,540	4,906	52,598	9,363	958,474	2019-12-12 13:38
244,833	44,090	51,921	70,983	0,501	0,504	10916,119	11016,665	46,769	10,109	10,470	4,900	52,511	9,355	958,473	2019-12-12 13:38
245,167	44,082	51,851	70,952	0,501	0,503	10894,845	11029,033	43,485	10,070	10,522	4,882	51,822	9,294	958,349	2019-12-12 13:38
245,500	44,074	51,811	70,948	0,501	0,503	10900,975	11046,258	44,167	10,163	10,451	4,888	52,015	9,311	958,472	2019-12-12 13:39

Pellematic 56_cat II_run 2_191212.Dat

Category: II

	301	302	304	305	306	308	317	1311	1312	1313	1314	1315	1316	1317	1318	1101	1102
Mättid	CO chimney	CO2 chimney	Pdyn	Pstat	Static pressure chimney	O2 chimney	Våg	Flue gas temp	Ambient	Flue gas at pitot	filter temp 1	filter temp 2	gas meter temp 1	gas meter temp 2	gasmeter temp ambient		T4 outlet load side
Minuter	VDC	VDC	VDC	VDC	VDC	VDC	VDC	°C	°C	°C	°C	°C	°C	°C	°C	°C	°C
245,833	0,217	0,609	1,310	0,124	0,013	0,345	1,335	71,800	20,120	22,895	21,265	20,829	20,431	20,969	29,894	20,413	62,953
246,167	0,216	0,605	1,309	0,123	0,014	0,349	1,334	71,765	20,063	22,899	21,256	20,827	20,431	20,976	29,888	20,412	62,950
246,500	0,215	0,603	1,297	0,122	0,011	0,351	1,334	71,756	20,060	22,914	21,268	20,822	20,442	20,977	29,900	20,417	62,955
246,834	0,215	0,599	1,308	0,122	0,015	0,355	1,334	71,739	20,083	22,915	21,269	20,827	20,428	20,970	29,894	20,414	62,920
247,167	0,215	0,600	1,315	0,122	0,013	0,354	1,333	71,721	20,084	22,904	21,267	20,829	20,440	20,976	29,899	20,414	62,937
247,500	0,215	0,592	1,307	0,121	0,012	0,362	1,334	71,697	20,114	22,909	21,267	20,828	20,438	20,982	29,907	20,419	62,917
247,834	0,215	0,585	1,307	0,122	0,016	0,367	1,333	71,692	20,113	22,883	21,263	20,821	20,433	20,980	29,896	20,417	62,910
248,167	0,216	0,588	1,299	0,123	0,012	0,363	1,333	71,687	20,121	22,872	21,263	20,820	20,439	20,978	29,883	20,418	62,949
248,500	0,216	0,584	1,293	0,122	0,014	0,368	1,332	71,690	20,118	22,877	21,258	20,815	20,433	20,978	29,891	20,419	62,975
248,833	0,215	0,575	1,308	0,122	0,012	0,375	1,332	71,696	20,112	22,890	21,258	20,817	20,433	20,985	29,893	20,422	62,976
249,167	0,214	0,571	1,320	0,121	0,014	0,379	1,332	71,652	20,142	22,840	21,262	20,832	20,442	20,980	29,897	20,426	62,965
249,500	0,215	0,571	1,311	0,123	0,013	0,378	1,332	71,629	20,153	22,815	21,261	20,820	20,437	20,984	29,899	20,422	62,952
249,833	0,215	0,573	1,316	0,122	0,015	0,377	1,331	71,615	20,165	22,863	21,267	20,820	20,439	20,984	29,891	20,424	62,945
250,167	0,214	0,569	1,305	0,122	0,013	0,381	1,332	71,635	20,166	22,869	21,277	20,818	20,424	20,984	29,889	20,423	62,922
250,500	0,214	0,575	1,298	0,122	0,015	0,375	1,332	71,637	20,139	22,847	21,265	20,820	20,439	20,984	29,892	20,424	63,121
250,833	0,214	0,580	1,312	0,121	0,016	0,372	1,333	71,606	20,117	22,839	21,267	20,817	20,445	20,998	29,907	20,426	63,259
251,167	0,215	0,574	1,314	0,122	0,016	0,377	1,331	71,559	20,103	22,906	21,273	20,820	20,438	20,992	29,914	20,428	63,167
251,500	0,214	0,578	1,319	0,122	0,017	0,373	1,331	71,536	20,139	22,932	21,272	20,822	20,442	20,993	29,926	20,426	63,133
251,834	0,213	0,580	1,304	0,122	0,011	0,371	1,331	71,532	20,155	22,948	21,283	20,817	20,433	21,006	29,925	20,430	63,121
252,167	0,213	0,582	1,305	0,124	0,018	0,369	1,331	71,493	20,174	22,922	21,268	20,822	20,435	20,998	29,926	20,428	63,092
252,500	0,214	0,584	1,303	0,122	0,015	0,367	1,331	71,485	20,165	22,931	21,264	20,819	20,447	20,994	29,916	20,430	63,083
252,834	0,215	0,589	1,300	0,120	0,012	0,362	1,330	71,467	20,153	22,948	21,270	20,831	20,454	21,005	29,915	20,434	63,065
253,167	0,215	0,589	1,297	0,121	0,011	0,363	1,330	71,465	20,189	22,925	21,269	20,814	20,449	21,000	29,913	20,434	63,048
253,500	0,216	0,588	1,302	0,122	0,011	0,364	1,331	71,479	20,146	22,872	21,279	20,823	20,453	21,018	29,915	20,440	63,037
253,834	0,215	0,596	1,307	0,122	0,008	0,357	1,330	71,471	20,145	22,914	21,285	20,825	20,452	21,011	29,907	20,440	63,025
254,167	0,214	0,604	1,303	0,122	0,014	0,350	1,329	71,459	20,141	22,932	21,291	20,821	20,455	21,014	29,910	20,441	63,011
254,500	0,215	0,606	1,298	0,120	0,012	0,348	1,329	71,494	20,150	22,939	21,280	20,827	20,453	21,009	29,912	20,441	62,997
254,833	0,216	0,609	1,304	0,121	0,010	0,345	1,329	71,506	20,162	22,912	21,292	20,840	20,472	21,021	29,913	20,449	62,981
255,167	0,216	0,618	1,299	0,122	0,022	0,337	1,329	71,477	20,127	22,920	21,285	20,822	20,453	21,019	29,891	20,443	62,959
255,500	0,216	0,624	1,299	0,123	0,015	0,333	1,329	71,478	20,114	22,928	21,283	20,838	20,451	21,011	29,909	20,445	62,946
255,833	0,216	0,621	1,297	0,124	0,016	0,335	1,329	71,487	20,116	22,926	21,289	20,829	20,444	21,011	29,905	20,445	62,936
256,167	0,216	0,621	1,299	0,124	0,018	0,335	1,328	71,480	20,124	22,888	21,282	20,828	20,461	21,023	29,905	20,448	62,921
256,500	0,214	0,613	1,309	0,121	0,010	0,342	1,328	71,481	20,128	22,895	21,296	20,828	20,465	21,035	29,906	20,455	62,918
256,833	0,214	0,605	1,304	0,122	0,013	0,349	1,328	71,473	20,086	22,910	21,287	20,815	20,452	21,019	29,897	20,445	62,886
257,167	0,213	0,604	1,311	0,121	0,014	0,350	1,328	71,451	20,076	22,915	21,285	20,832	20,454	21,010	29,903	20,449	62,895
257,500	0,213	0,612	1,301	0,122	0,012	0,342	1,328	71,441	20,108	22,902	21,293	20,836	20,459	21,035	29,912	20,455	62,888
257,833	0,215	0,617	1,302	0,121	0,012	0,339	1,328	71,436	20,131	22,934	21,291	20,837	20,452	21,027	29,911	20,455	62,867

Pellematic 56_cat II_run 2_191212.Dat

Category: II

	1103	1108	1109	130	230	101	102	1	2	3	6	7	8	11	
Mättid	T3 inlet load side	T2 inlet boiler	T1 outlet boiler	Flow load side	Flow boiler side	Heat output load side	Heat output boiler	CO chimney	CO2 chimney	O2 chimney	Pstat	Pdyn	Tunnel velocity	Våg	Tidpunkt
Minuter	°C	°C	°C	m³/h	m³/h	W	W	ppm	%	%	Pa	Pa	m/s	kg	Klockan
245,833	44,069	51,782	70,949	0,501	0,503	10886,347	11069,904	46,266	10,234	10,361	4,945	52,648	9,367	958,474	2019-12-12 13:39
246,167	44,064	51,774	70,951	0,501	0,503	10889,475	11075,972	41,393	10,112	10,474	4,939	52,460	9,351	958,348	2019-12-12 13:39
246,500	44,066	51,763	70,951	0,502	0,502	10900,814	11052,354	40,804	10,037	10,543	4,894	51,876	9,298	958,348	2019-12-12 13:40
246,834	44,066	51,746	70,923	0,501	0,503	10878,071	11066,585	41,813	9,960	10,640	4,878	52,218	9,329	958,348	2019-12-12 13:40
247,167	44,077	51,724	70,941	0,501	0,502	10873,614	11076,997	39,300	9,992	10,606	4,886	52,382	9,344	958,254	2019-12-12 13:40
247,500	44,094	51,725	70,909	0,501	0,502	10857,723	11060,060	39,550	9,723	10,845	4,856	52,194	9,327	958,348	2019-12-12 13:41
247,834	44,110	51,711	70,922	0,501	0,503	10842,322	11080,273	39,882	9,617	11,013	4,870	52,302	9,337	958,348	2019-12-12 13:41
248,167	44,125	51,721	70,899	0,500	0,502	10837,547	11048,175	43,490	9,730	10,900	4,902	51,669	9,280	958,342	2019-12-12 13:41
248,500	44,136	51,720	70,874	0,501	0,503	10854,627	11061,725	43,079	9,553	11,028	4,887	51,691	9,282	958,254	2019-12-12 13:42
248,833	44,133	51,736	70,924	0,500	0,503	10850,119	11080,875	39,545	9,312	11,260	4,868	52,676	9,370	958,254	2019-12-12 13:42
249,167	44,122	51,736	70,891	0,500	0,503	10843,146	11054,271	39,375	9,255	11,364	4,846	52,782	9,379	958,254	2019-12-12 13:42
249,500	44,100	51,728	70,864	0,501	0,502	10863,698	11033,679	41,800	9,290	11,355	4,928	52,114	9,320	958,254	2019-12-12 13:43
249,833	44,080	51,717	70,862	0,501	0,502	10879,444	11020,778	40,886	9,289	11,317	4,862	52,786	9,380	958,160	2019-12-12 13:43
250,167	44,067	51,693	70,836	0,501	0,503	10869,691	11054,930	38,466	9,223	11,425	4,871	52,013	9,311	958,254	2019-12-12 13:43
250,500	44,050	51,675	70,833	0,502	0,503	11007,552	11050,848	38,961	9,429	11,253	4,879	51,913	9,302	958,254	2019-12-12 13:44
250,833	44,042	51,651	70,792	0,501	0,503	11088,915	11038,744	39,185	9,463	11,154	4,859	52,587	9,362	958,254	2019-12-12 13:44
251,167	44,037	51,536	70,793	0,501	0,503	11035,408	11106,510	41,104	9,350	11,308	4,897	52,444	9,349	958,160	2019-12-12 13:44
251,500	44,028	51,441	70,773	0,501	0,502	11018,186	11141,935	37,115	9,464	11,186	4,867	52,829	9,383	958,254	2019-12-12 13:45
251,834	44,028	51,404	70,760	0,501	0,502	11008,177	11162,109	35,858	9,523	11,119	4,880	52,190	9,326	958,160	2019-12-12 13:45
252,167	44,030	51,379	70,744	0,501	0,503	10988,106	11171,546	37,145	9,560	11,070	4,945	52,140	9,322	958,161	2019-12-12 13:45
252,500	44,026	51,374	70,736	0,501	0,502	10996,637	11162,110	39,211	9,613	11,023	4,895	52,142	9,322	958,160	2019-12-12 13:46
252,834	44,025	51,355	70,665	0,501	0,502	10985,259	11130,458	40,048	9,751	10,863	4,788	51,667	9,280	958,066	2019-12-12 13:46
253,167	44,021	51,346	70,671	0,501	0,501	10971,291	11117,244	40,613	9,706	10,885	4,828	52,201	9,327	958,066	2019-12-12 13:46
253,500	44,013	51,331	70,660	0,501	0,503	10972,516	11152,576	42,234	9,715	10,914	4,879	51,998	9,309	958,160	2019-12-12 13:47
253,834	44,005	51,326	70,653	0,502	0,503	10979,332	11150,874	40,809	9,930	10,697	4,899	52,267	9,333	958,067	2019-12-12 13:47
254,167	43,997	51,320	70,613	0,502	0,503	10980,853	11128,061	38,374	10,134	10,490	4,894	51,971	9,307	958,067	2019-12-12 13:47
254,500	43,987	51,307	70,616	0,501	0,502	10964,043	11130,796	43,365	10,148	10,449	4,810	52,099	9,318	958,066	2019-12-12 13:48
254,833	43,981	51,302	70,582	0,501	0,502	10960,022	11110,174	43,743	10,258	10,358	4,838	52,171	9,325	958,066	2019-12-12 13:48
255,167	43,971	51,287	70,576	0,501	0,503	10949,067	11141,394	43,747	10,517	10,102	4,895	51,746	9,287	958,066	2019-12-12 13:48
255,500	43,965	51,276	70,561	0,501	0,502	10944,667	11108,397	44,081	10,590	9,983	4,905	52,179	9,325	958,066	2019-12-12 13:49
255,833	43,957	51,260	70,549	0,501	0,502	10944,903	11106,227	43,752	10,522	10,056	4,947	52,013	9,311	958,066	2019-12-12 13:49
256,167	43,954	51,240	70,509	0,501	0,502	10941,071	11110,311	42,902	10,515	10,044	4,941	51,828	9,294	957,974	2019-12-12 13:49
256,500	43,956	51,240	70,546	0,501	0,501	10940,560	11095,753	38,202	10,268	10,264	4,847	52,431	9,348	958,067	2019-12-12 13:50
256,833	43,951	51,212	70,514	0,501	0,502	10926,986	11113,946	37,360	10,076	10,482	4,864	52,343	9,340	957,973	2019-12-12 13:50
257,167	43,953	51,211	70,510	0,501	0,502	10921,532	11127,405	35,602	10,114	10,491	4,827	52,646	9,367	957,974	2019-12-12 13:50
257,500	43,962	51,221	70,500	0,502	0,501	10925,964	11090,927	36,779	10,380	10,264	4,894	52,170	9,325	957,973	2019-12-12 13:51
257,833	43,974	51,199	70,504	0,501	0,501	10899,517	11110,740	40,155	10,396	10,166	4,840	52,200	9,327	957,974	2019-12-12 13:51

Pellematic 56_cat II_run 2_191212.Dat

Category: II

	301	302	304	305	306	308	317	1311	1312	1313	1314	1315	1316	1317	1318	1101	1102
Mättid	CO chimney	CO2 chimney	Pdyn	Pstat	Static pressure chimney	O2 chimney	Våg	Flue gas temp	Ambient	Flue gas at pitot	filter temp 1	filter temp 2	gas meter temp 1	gas meter temp 2	gasmeter temp ambient		T4 outlet load side
Minuter	VDC	VDC	VDC	VDC	VDC	VDC	VDC	°C	°C	°C	°C	°C	°C	°C	°C	°C	°C
258,167	0,215	0,609	1,315	0,121	0,014	0,346	1,327	71,418	20,126	22,917	21,294	20,823	20,455	21,036	29,910	20,452	62,881
258,500	0,215	0,604	1,318	0,122	0,015	0,350	1,326	71,411	20,120	22,931	21,289	20,833	20,458	21,029	29,909	20,452	62,876
258,834	0,215	0,602	1,305	0,122	0,016	0,351	1,328	71,407	20,120	22,929	21,285	20,839	20,466	21,030	29,909	20,455	62,875
259,167	0,214	0,597	1,307	0,121	0,011	0,356	1,326	71,357	20,138	22,935	21,277	20,833	20,448	21,015	29,903	20,449	62,870
259,500	0,214	0,592	1,319	0,121	0,016	0,360	1,326	71,356	20,143	22,938	21,283	20,828	20,460	21,027	29,904	20,453	62,912
259,834	0,215	0,589	1,294	0,123	0,013	0,363	1,326	71,332	20,108	22,938	21,286	20,824	20,460	21,029	29,905	20,457	62,924
260,167	0,215	0,584	1,303	0,122	0,012	0,368	1,326	71,335	20,165	22,933	21,284	20,821	20,456	21,037	29,904	20,457	62,924
260,500	0,215	0,578	1,297	0,121	0,012	0,372	1,326	71,334	20,170	22,926	21,288	20,828	20,458	21,041	29,894	20,465	62,928
260,833	0,215	0,583	1,305	0,121	0,019	0,367	1,326	71,339	20,170	22,905	21,292	20,834	20,466	21,048	29,912	20,465	62,912
261,167	0,215	0,586	1,321	0,122	0,015	0,366	1,326	71,342	20,136	22,904	21,279	20,834	20,460	21,041	29,922	20,463	62,918
261,500	0,215	0,582	1,303	0,121	0,016	0,369	1,325	71,300	20,142	22,860	21,279	20,817	20,456	21,033	29,910	20,461	62,917
261,833	0,215	0,581	1,301	0,123	0,018	0,369	1,326	71,284	20,151	22,889	21,277	20,836	20,458	21,030	29,921	20,459	62,923
262,167	0,215	0,585	1,313	0,122	0,012	0,366	1,324	71,290	20,163	22,941	21,286	20,834	20,460	21,039	29,914	20,463	62,927
262,500	0,214	0,591	1,307	0,120	0,014	0,361	1,324	71,281	20,141	22,961	21,287	20,824	20,466	21,042	29,905	20,463	63,249
262,833	0,216	0,595	1,307	0,120	0,016	0,357	1,323	71,275	20,165	22,995	21,290	20,842	20,456	21,043	29,927	20,469	63,210
263,167	0,217	0,601	1,294	-0,849	0,013	0,353	1,324	71,266	20,161	22,944	21,285	20,832	20,449	21,047	29,933	20,466	63,148
263,500	0,218	0,599	1,297	0,122	0,013	0,354	1,324	71,283	20,174	22,934	21,285	20,831	20,464	21,046	29,939	20,469	63,116
263,833	0,218	0,597	1,318	0,120	0,016	0,356	1,324	71,270	20,180	22,971	21,281	20,828	20,460	21,049	29,944	20,470	63,104
264,167	0,218	0,597	1,314	0,119	0,017	0,357	1,323	71,263	20,182	22,961	21,289	20,833	20,458	21,041	29,936	20,467	63,075
264,500	0,219	0,598	1,315	0,121	0,016	0,355	1,323	71,273	20,164	22,923	21,279	20,830	20,467	21,048	29,921	20,466	63,072
264,833	0,218	0,594	1,315	0,121	0,015	0,359	1,323	71,261	20,183	22,914	21,279	20,836	20,458	21,039	29,894	20,467	63,046
265,167	0,217	0,589	1,311	0,120	0,020	0,363	1,323	71,254	20,176	22,904	21,281	20,831	20,468	21,035	29,905	20,472	63,031
265,500	0,218	0,588	1,311	0,121	0,015	0,364	1,323	71,238	20,189	22,896	21,272	20,832	20,468	21,042	29,902	20,467	63,017
265,834	0,217	0,581	1,309	0,121	0,010	0,370	1,323	71,213	20,206	22,918	21,280	20,833	20,469	21,052	29,907	20,470	62,929
266,167	0,216	0,575	1,301	0,120	0,013	0,376	1,323	71,189	20,197	22,904	21,283	20,840	20,479	21,048	29,913	20,473	62,933
266,500	0,216	0,574	1,307	0,120	0,011	0,376	1,323	71,195	20,223	22,867	21,289	20,830	20,476	21,043	29,901	20,475	62,935
266,834	0,217	0,585	1,301	0,121	0,012	0,365	1,322	71,154	20,214	22,894	21,277	20,840	20,470	21,061	29,892	20,473	62,926
267,167	0,216	0,592	1,309	0,120	0,017	0,360	1,321	71,142	20,221	22,898	21,284	20,846	20,474	21,043	29,900	20,479	62,917
267,500	0,217	0,588	1,313	0,121	0,012	0,364	1,321	71,152	20,219	22,905	21,278	20,845	20,471	21,067	29,913	20,480	62,898
267,833	0,216	0,589	1,303	0,120	0,007	0,363	1,321	71,166	20,209	22,920	21,270	20,827	20,469	21,050	29,905	20,475	62,892
268,167	0,216	0,587	1,307	0,121	0,016	0,364	1,320	71,174	20,190	22,905	21,269	20,827	20,470	21,051	29,911	20,477	62,893
268,500	0,216	0,585	1,307	0,120	0,013	0,366	1,321	71,173	20,135	22,878	21,269	20,812	20,472	21,042	29,913	20,479	62,900
268,833	0,217	0,584	1,309	0,118	0,012	0,367	1,321	71,147	20,160	22,900	21,287	20,836	20,474	21,052	29,905	20,481	62,896
269,167	0,218	0,589	1,305	0,119	0,013	0,363	1,321	71,145	20,146	22,923	21,283	20,843	20,470	21,061	29,910	20,481	62,888
269,500	0,217	0,588	1,328	0,121	0,013	0,364	1,320	71,132	20,173	22,861	21,283	20,829	20,483	21,059	29,900	20,481	62,881
269,833	0,216	0,586	1,313	0,120	0,013	0,365	1,320	71,145	20,200	22,862	21,289	20,834	20,484	21,072	29,917	20,493	63,004
270,167	0,215	0,589	1,312	0,121	0,018	0,362	1,320	71,113	20,187	22,841	21,267	20,820	20,474	21,061	29,905	20,481	62,947

Pellematic 56_cat II_run 2_191212.Dat

Category: II

	1103	1108	1109	130	230	101	102	1	2	3	6	7	8	11	
Mättid	T3 inlet load side	T2 inlet boiler	T1 outlet boiler	Flow load side	Flow boiler side	Heat output load side	Heat output boiler	CO chimney	CO2 chimney	O2 chimney	Pstat	Pdyn	Tunnel velocity	Våg	Tidpunkt
Minuter	°C	°C	°C	m³/h	m³/h	W	W	ppm	%	%	Pa	Pa	m/s	kg	Klockan
258,167	43,995	51,195	70,489	0,501	0,501	10889,963	11102,287	42,224	10,142	10,386	4,853	52,689	9,371	957,848	2019-12-12 13:51
258,500	44,020	51,207	70,502	0,501	0,501	10878,139	11099,767	39,716	10,118	10,488	4,870	52,733	9,375	957,849	2019-12-12 13:52
258,834	44,053	51,209	70,528	0,501	0,501	10860,553	11112,829	39,677	9,990	10,539	4,882	52,030	9,312	957,974	2019-12-12 13:52
259,167	44,080	51,213	70,479	0,502	0,501	10843,544	11078,651	37,456	9,882	10,693	4,860	52,348	9,341	957,848	2019-12-12 13:52
259,500	44,110	51,222	70,526	0,502	0,502	10851,834	11117,989	37,693	9,770	10,808	4,834	52,759	9,377	957,849	2019-12-12 13:53
259,834	44,137	51,240	70,435	0,501	0,501	10836,559	11043,595	41,055	9,704	10,892	4,925	51,618	9,275	957,848	2019-12-12 13:53
260,167	44,156	51,254	70,442	0,501	0,501	10815,591	11042,358	41,129	9,551	11,033	4,883	52,533	9,357	957,848	2019-12-12 13:53
260,500	44,175	51,269	70,475	0,501	0,501	10817,530	11045,066	42,321	9,452	11,155	4,839	51,732	9,285	957,848	2019-12-12 13:54
260,833	44,192	51,272	70,448	0,501	0,501	10798,901	11032,554	40,287	9,624	11,020	4,829	52,353	9,341	957,848	2019-12-12 13:54
261,167	44,207	51,280	70,448	0,501	0,501	10789,751	11013,878	41,057	9,617	10,967	4,861	52,663	9,369	957,847	2019-12-12 13:54
261,500	44,218	51,290	70,405	0,501	0,502	10773,382	11015,405	40,807	9,521	11,069	4,835	51,872	9,298	957,769	2019-12-12 13:55
261,833	44,231	51,313	70,413	0,501	0,502	10777,099	11009,060	41,203	9,555	11,065	4,914	52,231	9,330	957,848	2019-12-12 13:55
262,167	44,236	51,334	70,411	0,501	0,502	10779,718	10982,682	39,802	9,655	10,985	4,863	52,453	9,350	957,754	2019-12-12 13:55
262,500	44,244	51,338	70,385	0,501	0,503	10950,736	10997,024	38,448	9,806	10,835	4,801	52,018	9,311	957,754	2019-12-12 13:56
262,833	44,249	51,323	70,386	0,501	0,503	10925,004	10994,425	44,496	9,933	10,724	4,786	52,573	9,361	957,661	2019-12-12 13:56
263,167	44,244	51,234	70,343	0,501	0,502	10904,326	11003,469	48,108	10,032	10,577	-33,975	51,773	9,289	957,753	2019-12-12 13:56
263,500	44,225	51,175	70,354	0,502	0,502	10901,798	11051,988	46,181	9,946	10,632	4,873	52,111	9,319	957,754	2019-12-12 13:57
263,833	44,197	51,137	70,333	0,501	0,502	10899,497	11055,462	48,278	9,892	10,687	4,791	52,586	9,362	957,754	2019-12-12 13:57
264,167	44,163	51,118	70,333	0,501	0,502	10909,974	11072,499	49,793	9,903	10,699	4,755	52,544	9,358	957,661	2019-12-12 13:57
264,500	44,129	51,102	70,305	0,502	0,502	10931,566	11063,652	52,561	9,960	10,662	4,836	52,716	9,373	957,660	2019-12-12 13:58
264,833	44,089	51,074	70,317	0,501	0,501	10937,342	11067,723	46,520	9,821	10,773	4,839	52,650	9,368	957,661	2019-12-12 13:58
265,167	44,055	51,039	70,290	0,501	0,502	10941,267	11082,403	45,504	9,700	10,885	4,785	52,325	9,339	957,660	2019-12-12 13:58
265,500	44,023	51,013	70,275	0,501	0,503	10947,482	11131,839	48,698	9,663	10,916	4,836	52,812	9,382	957,660	2019-12-12 13:59
265,834	44,009	51,003	70,295	0,501	0,502	10908,623	11111,531	45,090	9,498	11,110	4,828	52,387	9,344	957,661	2019-12-12 13:59
266,167	43,994	50,992	70,245	0,501	0,503	10923,783	11105,243	42,485	9,323	11,280	4,797	51,897	9,300	957,660	2019-12-12 13:59
266,500	43,985	50,999	70,244	0,501	0,502	10927,793	11092,728	43,657	9,382	11,276	4,811	52,212	9,328	957,660	2019-12-12 14:00
266,834	43,983	50,995	70,255	0,501	0,503	10912,908	11112,491	48,103	9,695	10,952	4,855	52,340	9,340	957,660	2019-12-12 14:00
267,167	43,987	50,996	70,262	0,501	0,502	10913,501	11101,989	44,918	9,821	10,806	4,817	52,468	9,351	957,566	2019-12-12 14:00
267,500	43,987	50,983	70,247	0,501	0,502	10911,034	11091,557	43,567	9,640	10,926	4,824	52,641	9,367	957,566	2019-12-12 14:01
267,833	43,997	50,959	70,229	0,501	0,502	10899,814	11103,315	43,237	9,720	10,895	4,806	52,069	9,316	957,566	2019-12-12 14:01
268,167	44,009	50,959	70,241	0,501	0,503	10880,161	11138,358	42,235	9,651	10,931	4,852	52,229	9,330	957,474	2019-12-12 14:01
268,500	44,016	50,976	70,206	0,501	0,502	10890,819	11074,376	43,494	9,634	10,983	4,810	52,333	9,339	957,566	2019-12-12 14:02
268,833	44,026	50,983	70,185	0,501	0,502	10878,933	11064,342	45,428	9,622	11,007	4,714	52,540	9,358	957,566	2019-12-12 14:02
269,167	44,028	50,980	70,200	0,501	0,502	10868,079	11074,687	47,854	9,735	10,891	4,780	52,174	9,325	957,566	2019-12-12 14:02
269,500	44,035	50,985	70,197	0,501	0,503	10866,627	11082,743	43,914	9,702	10,914	4,825	53,034	9,402	957,474	2019-12-12 14:03
269,833	44,036	50,990	70,133	0,501	0,501	10931,344	11014,505	42,993	9,670	10,939	4,804	52,123	9,321	957,474	2019-12-12 14:03
270,167	44,035	50,953	70,129	0,501	0,501	10901,175	11034,580	41,570	9,721	10,866	4,832	52,316	9,338	957,474	2019-12-12 14:03

Pellematic 56_cat II_run 2_191212.Dat

Category: II

	301	302	304	305	306	308	317	1311	1312	1313	1314	1315	1316	1317	1318	1101	1102
Mättid	CO chimney	CO2 chimney	Pdyn	Pstat	Static pressure chimney	O2 chimney	Våg	Flue gas temp	Ambient	Flue gas at pitot	filter temp 1	filter temp 2	gas meter temp 1	gas meter temp 2	gasmeter temp ambient		T4 outlet load side
Minuter	VDC	VDC	VDC	VDC	VDC	VDC	VDC	°C	°C	°C	°C	°C	°C	°C	°C	°C	°C
270,500	0,216	0,589	1,306	0,120	0,012	0,363	1,319	71,134	20,218	22,878	21,276	20,824	20,477	21,058	29,922	20,484	62,935
270,833	0,217	0,585	1,314	0,120	0,015	0,366	1,320	71,146	20,238	22,878	21,273	20,841	20,474	21,057	29,940	20,485	62,914
271,167	0,216	0,586	1,318	0,122	0,011	0,363	1,319	71,148	20,239	22,864	21,273	20,832	20,484	21,073	29,946	20,491	62,905
271,500	0,216	0,592	1,308	0,121	0,015	0,359	1,320	71,134	20,205	22,851	21,283	20,828	20,484	21,074	29,935	20,490	62,888
271,833	0,216	0,601	1,310	0,120	0,014	0,352	1,319	71,088	20,182	22,867	21,275	20,824	20,475	21,065	29,950	20,488	62,877
272,167	0,216	0,605	1,305	0,119	0,016	0,349	1,319	71,096	20,166	22,899	21,281	20,815	20,480	21,067	29,948	20,489	62,877
272,500	0,217	0,608	1,322	0,122	0,015	0,346	1,318	71,062	20,152	22,866	21,273	20,827	20,490	21,069	29,954	20,493	63,065
272,834	0,217	0,610	1,309	0,122	0,011	0,345	1,318	71,056	20,185	22,872	21,283	20,832	20,492	21,080	29,971	20,498	63,132
273,167	0,217	0,602	1,293	0,121	0,017	0,351	1,318	71,070	20,200	22,888	21,275	20,817	20,486	21,076	29,964	20,495	63,086
273,500	0,218	0,607	1,300	0,123	0,009	0,347	1,318	71,083	20,204	22,913	21,281	20,832	20,490	21,069	29,946	20,495	63,057
273,834	0,219	0,615	1,304	0,120	0,020	0,341	1,318	71,078	20,217	22,937	21,284	20,845	20,490	21,082	29,941	20,499	63,040
274,167	0,219	0,609	1,307	0,119	0,014	0,346	1,316	71,038	20,212	22,924	21,289	20,834	20,496	21,077	29,959	20,499	63,042
274,500	0,218	0,605	1,308	0,120	0,022	0,350	1,316	71,067	20,220	22,883	21,281	20,838	20,493	21,072	29,958	20,500	63,035
274,833	0,217	0,603	1,311	0,119	0,013	0,351	1,316	71,072	20,235	22,913	21,300	20,845	20,507	21,079	29,962	20,509	63,023
275,167	0,216	0,599	1,313	0,120	0,013	0,355	1,316	71,077	20,220	22,930	21,289	20,841	20,496	21,084	29,954	20,505	63,018
275,500	0,216	0,599	1,310	0,121	0,012	0,354	1,316	71,056	20,195	22,896	21,293	20,840	20,501	21,096	29,951	20,508	63,017
275,833	0,217	0,605	1,302	0,120	0,012	0,348	1,315	71,043	20,238	22,936	21,294	20,848	20,504	21,093	29,923	20,508	63,014
276,167	0,217	0,608	1,310	0,119	0,018	0,347	1,315	71,078	20,203	22,945	21,293	20,847	20,498	21,078	29,919	20,504	63,020
276,500	0,217	0,607	1,305	0,120	0,016	0,347	1,316	71,078	20,182	22,945	21,283	20,850	20,502	21,093	29,914	20,505	63,023
276,833	0,217	0,611	1,311	0,121	0,013	0,343	1,316	71,073	20,241	22,956	21,300	20,869	20,500	21,100	29,923	20,513	63,027
277,167	0,219	0,615	1,317	0,119	0,016	0,340	1,315	71,062	20,261	22,979	21,301	20,852	20,497	21,088	29,911	20,508	63,030
277,500	0,218	0,609	1,320	0,119	0,014	0,345	1,315	71,043	20,268	22,986	21,311	20,856	20,503	21,095	29,920	20,518	63,026
277,833	0,217	0,607	1,322	0,121	0,018	0,346	1,315	70,987	20,228	22,973	21,299	20,843	20,501	21,090	29,927	20,509	63,027
278,167	0,217	0,613	1,306	0,121	0,012	0,342	1,315	71,003	20,221	22,993	21,308	20,846	20,494	21,092	29,912	20,511	63,024
278,500	0,218	0,609	1,314	0,119	0,017	0,347	1,314	71,013	20,225	22,988	21,301	20,844	20,491	21,090	29,925	20,508	63,007
278,834	0,217	0,604	1,302	0,119	0,016	0,351	1,313	71,011	20,198	22,995	21,304	20,841	20,512	21,098	29,923	20,511	63,002
279,167	0,217	0,599	1,312	0,120	0,007	0,355	1,315	71,041	20,205	22,999	21,304	20,839	20,500	21,088	29,918	20,509	63,001
279,500	0,217	0,597	1,317	0,120	0,018	0,356	1,315	71,053	20,232	22,992	21,303	20,850	20,491	21,083	29,929	20,510	63,004
279,834	0,217	0,596	1,312	0,120	0,020	0,357	1,313	71,041	20,243	23,000	21,315	20,854	20,503	21,101	29,933	20,518	63,018
280,167	0,217	0,600	1,303	0,120	0,013	0,353	1,313	71,017	20,232	22,981	21,320	20,853	20,507	21,092	29,917	20,519	63,006
280,500	0,218	0,606	1,301	0,119	0,019	0,347	1,313	71,002	20,179	22,985	21,312	20,859	20,501	21,101	29,918	20,521	63,004
280,834	0,219	0,608	1,312	0,122	0,011	0,346	1,313	70,981	20,162	22,949	21,317	20,860	20,501	21,095	29,911	20,519	62,994
281,167	0,218	0,607	1,303	0,119	0,019	0,348	1,313	70,997	20,207	23,005	21,316	20,863	20,504	21,098	29,898	20,519	62,980
281,500	0,218	0,604	1,316	0,120	0,013	0,350	1,313	70,988	20,203	23,043	21,319	20,867	20,503	21,104	29,910	20,520	62,962
281,833	0,218	0,601	1,327	0,119	0,008	0,353	1,312	70,982	20,208	23,032	21,326	20,874	20,519	21,113	29,907	20,530	62,948
282,167	0,218	0,602	1,312	0,119	0,009	0,352	1,312	70,991	20,231	23,002	21,325	20,873	20,516	21,103	29,895	20,529	62,931
282,500	0,217	0,605	1,313	0,121	0,010	0,348	1,312	70,994	20,234	22,963	21,323	20,876	20,510	21,110	29,890	20,529	62,921

Pellematic 56_cat II_run 2_191212.Dat

Category: II

	1103	1108	1109	130	230	101	102	1	2	3	6	7	8	11	
Mättid	T3 inlet load side	T2 inlet boiler	T1 outlet boiler	Flow load side	Flow boiler side	Heat output load side	Heat output boiler	CO chimney	CO2 chimney	O2 chimney	Pstat	Pdyn	Tunnel velocity	Våg	Tidpunkt
Minuter	°C	°C	°C	m³/h	m³/h	W	W	ppm	%	%	Pa	Pa	m/s	kg	Klockan
270,500	44,033	50,915	70,166	0,501	0,501	10892,085	11069,533	45,008	9,683	10,898	4,819	52,720	9,374	957,350	2019-12-12 14:04
270,833	44,028	50,898	70,111	0,502	0,502	10899,503	11069,315	43,918	9,592	10,985	4,798	52,628	9,366	957,474	2019-12-12 14:04
271,167	44,024	50,887	70,105	0,501	0,501	10885,433	11060,839	41,811	9,671	10,901	4,862	52,686	9,371	957,474	2019-12-12 14:04
271,500	44,019	50,879	70,083	0,501	0,501	10882,882	11040,151	43,738	9,856	10,779	4,847	52,342	9,340	957,474	2019-12-12 14:05
271,833	44,008	50,866	70,069	0,501	0,502	10878,632	11071,042	41,639	10,043	10,572	4,811	52,400	9,345	957,474	2019-12-12 14:05
272,167	44,002	50,863	70,081	0,501	0,502	10879,689	11081,878	43,246	10,172	10,463	4,778	52,317	9,338	957,350	2019-12-12 14:05
272,500	44,001	50,868	70,030	0,501	0,502	11001,067	11047,583	46,345	10,243	10,368	4,870	52,639	9,366	957,350	2019-12-12 14:06
272,834	43,997	50,835	70,021	0,501	0,503	11027,780	11073,628	45,259	10,217	10,338	4,870	51,982	9,308	957,350	2019-12-12 14:06
273,167	43,996	50,740	70,034	0,501	0,502	11006,692	11116,476	45,547	10,039	10,545	4,829	51,634	9,277	957,350	2019-12-12 14:06
273,500	43,991	50,682	70,015	0,501	0,502	11000,363	11149,996	48,692	10,272	10,403	4,918	51,982	9,308	957,351	2019-12-12 14:07
273,834	43,995	50,651	70,000	0,501	0,502	10986,790	11154,906	49,864	10,385	10,225	4,818	52,106	9,319	957,350	2019-12-12 14:07
274,167	44,003	50,635	69,965	0,501	0,502	10967,250	11138,939	49,960	10,188	10,383	4,760	52,276	9,334	957,256	2019-12-12 14:07
274,500	44,017	50,631	70,007	0,502	0,502	10984,132	11175,968	46,856	10,082	10,497	4,802	52,491	9,353	957,257	2019-12-12 14:08
274,833	44,040	50,622	69,966	0,501	0,502	10952,865	11149,954	45,000	10,064	10,544	4,774	52,485	9,353	957,255	2019-12-12 14:08
275,167	44,062	50,622	69,950	0,501	0,502	10930,271	11133,753	42,057	9,945	10,637	4,789	52,414	9,346	957,256	2019-12-12 14:08
275,500	44,092	50,624	69,953	0,501	0,502	10915,285	11129,828	45,077	9,982	10,619	4,835	52,315	9,338	957,256	2019-12-12 14:09
275,833	44,120	50,634	69,944	0,502	0,502	10903,958	11132,577	46,588	10,210	10,447	4,791	52,074	9,316	957,256	2019-12-12 14:09
276,167	44,148	50,643	69,965	0,502	0,501	10893,157	11120,233	45,758	10,200	10,404	4,773	52,456	9,350	957,162	2019-12-12 14:09
276,500	44,173	50,661	69,920	0,501	0,503	10873,078	11118,787	44,913	10,167	10,417	4,802	52,111	9,319	957,256	2019-12-12 14:10
276,833	44,194	50,681	69,910	0,501	0,502	10866,893	11080,723	47,441	10,355	10,291	4,837	52,668	9,369	957,256	2019-12-12 14:10
277,167	44,209	50,703	69,918	0,501	0,502	10855,651	11081,482	49,297	10,361	10,197	4,780	52,658	9,368	957,162	2019-12-12 14:10
277,500	44,219	50,718	69,923	0,502	0,502	10854,315	11062,351	48,531	10,177	10,356	4,747	52,770	9,378	957,162	2019-12-12 14:11
277,833	44,225	50,717	69,900	0,501	0,502	10848,174	11063,473	46,181	10,238	10,387	4,835	52,662	9,369	957,162	2019-12-12 14:11
278,167	44,232	50,731	69,953	0,501	0,502	10839,747	11069,825	46,519	10,340	10,248	4,835	51,974	9,307	957,163	2019-12-12 14:11
278,500	44,234	50,732	69,902	0,502	0,501	10833,137	11027,200	48,029	10,176	10,415	4,743	52,883	9,388	957,068	2019-12-12 14:12
278,834	44,246	50,730	69,921	0,502	0,502	10829,039	11049,507	46,017	10,087	10,517	4,775	52,181	9,326	957,068	2019-12-12 14:12
279,167	44,258	50,726	69,914	0,502	0,502	10825,157	11064,805	45,094	9,976	10,640	4,809	52,690	9,371	957,163	2019-12-12 14:12
279,500	44,260	50,738	69,908	0,501	0,502	10812,318	11053,323	45,768	9,925	10,679	4,799	52,866	9,387	957,162	2019-12-12 14:13
279,834	44,256	50,745	69,885	0,502	0,502	10832,342	11039,950	43,998	9,911	10,706	4,786	52,509	9,355	957,068	2019-12-12 14:13
280,167	44,252	50,758	69,855	0,502	0,502	10821,693	10997,832	46,437	10,025	10,592	4,804	52,254	9,332	957,068	2019-12-12 14:13
280,500	44,235	50,758	69,852	0,501	0,502	10822,331	10998,914	47,351	10,203	10,425	4,780	51,942	9,304	957,068	2019-12-12 14:14
280,834	44,208	50,760	69,858	0,501	0,502	10837,159	11016,881	49,120	10,186	10,386	4,861	52,571	9,360	957,068	2019-12-12 14:14
281,167	44,171	50,751	69,864	0,501	0,501	10850,110	11001,445	49,630	10,170	10,426	4,768	51,994	9,309	957,068	2019-12-12 14:14
281,500	44,142	50,728	69,837	0,501	0,501	10850,073	10994,107	48,031	10,066	10,496	4,813	52,968	9,396	957,069	2019-12-12 14:15
281,833	44,112	50,697	69,844	0,501	0,502	10866,811	11025,454	46,901	10,013	10,591	4,776	53,003	9,399	956,975	2019-12-12 14:15
282,167	44,086	50,673	69,798	0,502	0,502	10881,492	11029,034	48,517	10,064	10,563	4,765	52,780	9,379	956,976	2019-12-12 14:15
282,500	44,071	50,660	69,826	0,502	0,502	10880,524	11046,522	44,665	10,153	10,449	4,848	52,665	9,369	956,976	2019-12-12 14:16

Pellematic 56_cat II_run 2_191212.Dat

Category: II

	301	302	304	305	306	308	317	1311	1312	1313	1314	1315	1316	1317	1318	1101	1102
Mättid	CO chimney	CO2 chimney	Pdyn	Pstat	Static pressure chimney	O2 chimney	Våg	Flue gas temp	Ambient	Flue gas at pitot	filter temp 1	filter temp 2	gas meter temp 1	gas meter temp 2	gasmeter temp ambient		T4 outlet load side
Minuter	VDC	VDC	VDC	VDC	VDC	VDC	VDC	°C	°C	°C	°C	°C	°C	°C	°C	°C	°C
282,833	0,216	0,603	1,310	0,122	0,011	0,352	1,312	70,982	20,244	22,986	21,332	20,868	20,514	21,112	29,893	20,526	62,909
283,167	0,216	0,602	1,309	0,120	0,010	0,351	1,312	70,970	20,251	23,055	21,334	20,878	20,505	21,115	29,882	20,531	62,905
283,500	0,216	0,611	1,309	0,121	0,010	0,344	1,312	70,981	20,245	23,057	21,336	20,881	20,504	21,104	29,874	20,527	62,888
283,833	0,216	0,618	1,300	0,121	0,011	0,338	1,312	70,995	20,213	23,012	21,336	20,879	20,516	21,112	29,879	20,529	62,883
284,167	0,217	0,619	1,305	0,120	0,013	0,337	1,311	71,037	20,226	23,047	21,345	20,872	20,510	21,129	29,884	20,533	62,882
284,500	0,217	0,626	1,302	0,119	0,012	0,331	1,311	71,013	20,227	23,036	21,339	20,881	20,511	21,118	29,876	20,532	62,890
284,833	0,217	0,629	1,316	0,118	0,019	0,328	1,312	71,012	20,225	23,038	21,344	20,875	20,502	21,116	29,879	20,529	62,880
285,167	0,217	0,634	1,299	0,120	0,012	0,324	1,310	70,976	20,196	23,051	21,348	20,889	20,509	21,121	29,894	20,536	62,916
285,500	0,218	0,643	1,302	0,119	0,013	0,317	1,310	70,980	20,168	23,056	21,354	20,882	20,512	21,101	29,883	20,530	62,920
285,834	0,219	0,645	1,315	0,119	0,013	0,315	1,310	71,018	20,167	23,074	21,362	20,882	20,518	21,128	29,901	20,538	62,922
286,167	0,218	0,632	1,317	0,120	0,013	0,327	1,310	71,000	20,140	23,040	21,342	20,890	20,519	21,129	29,909	20,536	62,921
286,500	0,217	0,622	1,303	0,119	0,012	0,334	1,309	70,991	20,180	23,038	21,348	20,883	20,522	21,118	29,916	20,536	62,939
286,834	0,216	0,624	1,304	0,120	0,015	0,332	1,310	71,017	20,139	23,014	21,344	20,903	20,514	21,125	29,932	20,538	63,248
287,167	0,217	0,628	1,300	0,119	0,007	0,329	1,308	71,022	20,150	23,025	21,353	20,886	20,519	21,118	29,936	20,536	63,185
287,500	0,215	0,618	1,316	0,121	0,016	0,338	1,308	71,021	20,149	23,097	21,366	20,888	20,521	21,125	29,947	20,543	63,162
287,834	0,214	0,617	1,317	0,121	0,012	0,338	1,308	71,040	20,166	23,091	21,355	20,884	20,525	21,118	29,957	20,543	63,155
288,167	0,214	0,619	1,330	0,120	0,017	0,336	1,308	71,020	20,189	23,070	21,347	20,893	20,505	21,120	29,936	20,534	63,156
288,500	0,215	0,620	1,321	0,118	0,013	0,336	1,308	71,021	20,202	23,058	21,351	20,877	20,498	21,124	29,926	20,532	63,106
288,833	0,215	0,624	1,307	0,119	0,012	0,332	1,308	71,038	20,225	23,055	21,349	20,895	20,512	21,132	29,951	20,544	63,099
289,167	0,215	0,632	1,290	0,118	0,012	0,325	1,307	71,065	20,225	23,020	21,346	20,887	20,509	21,122	29,962	20,540	63,112
289,500	0,215	0,634	1,300	0,119	0,014	0,325	1,308	71,066	20,229	23,020	21,360	20,890	20,516	21,122	29,963	20,540	62,920
289,833	0,215	0,623	1,305	0,120	0,019	0,334	1,307	71,058	20,231	23,047	21,356	20,884	20,523	21,131	29,959	20,540	62,761
290,167	0,216	0,620	1,311	0,119	0,013	0,335	1,306	71,019	20,210	23,047	21,357	20,901	20,511	21,131	29,969	20,544	62,824
290,500	0,217	0,621	1,324	0,120	0,007	0,335	1,307	71,002	20,222	23,022	21,354	20,896	20,514	21,132	29,954	20,542	62,841
290,833	0,215	0,614	1,313	0,120	0,013	0,341	1,307	70,983	20,166	23,000	21,349	20,902	20,513	21,130	29,942	20,540	62,850
291,167	0,216	0,615	1,306	0,120	0,015	0,340	1,306	70,975	20,167	22,992	21,346	20,894	20,519	21,134	29,941	20,544	62,865
291,500	0,218	0,619	1,303	0,121	0,013	0,337	1,306	70,963	20,152	22,979	21,354	20,891	20,519	21,139	29,948	20,546	62,977
291,833	0,217	0,613	1,308	0,120	0,013	0,342	1,306	70,971	20,180	22,985	21,349	20,894	20,519	21,137	29,946	20,547	62,953
292,167	0,217	0,611	1,310	0,119	0,019	0,344	1,305	70,975	20,193	22,987	21,352	20,899	20,515	21,132	29,943	20,548	62,957
292,500	0,216	0,615	1,313	0,118	0,008	0,339	1,305	70,988	20,187	22,975	21,350	20,884	20,518	21,135	29,945	20,548	62,952
292,834	0,216	0,616	1,315	0,118	0,013	0,339	1,305	70,967	20,191	23,009	21,349	20,903	20,512	21,144	29,966	20,555	62,957
293,167	0,215	0,605	1,327	0,119	0,020	0,349	1,305	70,942	20,202	22,985	21,355	20,896	20,520	21,142	29,960	20,554	62,965
293,500	0,216	0,607	1,317	0,120	0,009	0,347	1,304	70,938	20,209	22,972	21,349	20,901	20,514	21,138	29,961	20,548	62,971
293,834	0,216	0,606	1,319	0,119	0,013	0,348	1,304	70,925	20,170	23,000	21,344	20,899	20,524	21,141	29,955	20,548	62,978
294,167	0,216	0,601	1,313	0,119	0,008	0,353	1,304	70,942	20,183	22,987	21,341	20,894	20,523	21,136	29,958	20,553	62,970
294,500	0,216	0,600	1,309	0,120	0,013	0,353	1,304	70,935	20,233	22,979	21,342	20,894	20,511	21,151	29,964	20,549	62,973
294,833	0,217	0,603	1,314	0,119	0,012	0,351	1,304	70,899	20,241	22,994	21,329	20,885	20,510	21,130	29,964	20,548	62,971

Pellematic 56_cat II_run 2_191212.Dat

Category: II

	1103	1108	1109	130	230	101	102	1	2	3	6	7	8	11	
Mättid	T3 inlet load side	T2 inlet boiler	T1 outlet boiler	Flow load side	Flow boiler side	Heat output load side	Heat output boiler	CO chimney	CO2 chimney	O2 chimney	Pstat	Pdyn	Tunnel velocity	Våg	Tidpunkt
Minuter	°C	°C	°C	m³/h	m³/h	W	W	ppm	%	%	Pa	Pa	m/s	kg	Klockan
282,833	44,058	50,642	69,846	0,502	0,502	10879,020	11070,543	43,164	10,024	10,549	4,871	52,491	9,353	956,976	2019-12-12 14:16
283,167	44,060	50,624	69,821	0,502	0,501	10875,773	11049,780	43,162	10,067	10,544	4,802	52,833	9,384	956,976	2019-12-12 14:16
283,500	44,062	50,603	69,807	0,501	0,501	10859,054	11047,090	41,909	10,314	10,324	4,827	52,289	9,335	956,976	2019-12-12 14:17
283,833	44,066	50,592	69,807	0,502	0,502	10859,774	11066,602	43,240	10,470	10,144	4,821	52,003	9,310	956,975	2019-12-12 14:17
284,167	44,066	50,592	69,761	0,501	0,501	10852,539	11036,354	46,766	10,530	10,112	4,802	52,479	9,352	956,954	2019-12-12 14:17
284,500	44,072	50,594	69,773	0,502	0,502	10864,780	11048,213	44,843	10,683	9,924	4,775	51,867	9,298	956,850	2019-12-12 14:18
284,833	44,076	50,590	69,782	0,502	0,501	10854,432	11033,511	45,589	10,775	9,846	4,702	52,657	9,368	956,975	2019-12-12 14:18
285,167	44,084	50,582	69,785	0,501	0,502	10858,007	11073,543	45,005	10,888	9,731	4,796	51,715	9,284	956,850	2019-12-12 14:18
285,500	44,088	50,592	69,820	0,502	0,502	10872,236	11086,037	49,365	11,139	9,496	4,760	52,392	9,344	956,850	2019-12-12 14:19
285,834	44,098	50,592	69,815	0,502	0,503	10874,221	11090,809	51,804	11,118	9,436	4,779	52,649	9,367	956,850	2019-12-12 14:19
286,167	44,100	50,594	69,809	0,502	0,502	10866,946	11066,737	47,100	10,682	9,813	4,798	52,845	9,385	956,850	2019-12-12 14:19
286,500	44,095	50,586	69,784	0,501	0,501	10868,765	11038,346	45,257	10,528	10,023	4,756	51,994	9,309	956,755	2019-12-12 14:20
286,834	44,090	50,575	69,832	0,501	0,502	11053,287	11103,682	43,575	10,644	9,949	4,791	51,988	9,308	956,849	2019-12-12 14:20
287,167	44,084	50,522	69,820	0,501	0,502	11016,175	11126,732	43,239	10,672	9,881	4,763	52,392	9,345	956,756	2019-12-12 14:20
287,500	44,078	50,458	69,843	0,501	0,502	11003,032	11177,358	40,727	10,403	10,131	4,827	52,826	9,383	956,755	2019-12-12 14:21
287,834	44,075	50,429	69,831	0,501	0,502	11001,538	11182,342	38,544	10,446	10,141	4,847	52,835	9,384	956,756	2019-12-12 14:21
288,167	44,064	50,411	69,865	0,501	0,502	11011,562	11210,350	38,547	10,511	10,088	4,797	53,205	9,417	956,756	2019-12-12 14:21
288,500	44,050	50,405	69,831	0,501	0,503	10994,809	11211,361	41,312	10,538	10,068	4,715	52,811	9,382	956,756	2019-12-12 14:22
288,833	44,040	50,401	69,855	0,501	0,503	10995,001	11229,522	41,731	10,627	9,951	4,745	52,156	9,323	956,755	2019-12-12 14:22
289,167	44,024	50,414	69,867	0,501	0,502	11000,461	11212,937	40,454	10,875	9,738	4,702	51,290	9,246	956,662	2019-12-12 14:22
289,500	44,014	50,422	69,878	0,501	0,502	10900,168	11202,715	41,554	10,815	9,737	4,774	52,409	9,346	956,755	2019-12-12 14:23
289,833	44,004	50,414	69,859	0,501	0,501	10820,323	11183,783	41,732	10,525	10,014	4,794	52,306	9,337	956,662	2019-12-12 14:23
290,167	43,998	50,487	69,869	0,502	0,501	10867,397	11148,631	45,091	10,518	10,041	4,778	52,728	9,374	956,662	2019-12-12 14:23
290,500	43,993	50,543	69,868	0,502	0,501	10883,469	11106,943	45,512	10,484	10,051	4,803	52,708	9,373	956,662	2019-12-12 14:24
290,833	43,992	50,563	69,886	0,501	0,501	10862,743	11110,211	41,319	10,310	10,237	4,807	52,466	9,351	956,662	2019-12-12 14:24
291,167	43,986	50,575	69,891	0,502	0,502	10898,447	11135,435	46,006	10,422	10,204	4,783	52,180	9,326	956,568	2019-12-12 14:24
291,500	43,988	50,588	69,908	0,502	0,502	10972,030	11139,869	47,187	10,452	10,098	4,831	52,143	9,322	956,568	2019-12-12 14:25
291,833	43,994	50,570	69,867	0,501	0,502	10930,578	11131,294	43,656	10,286	10,259	4,814	52,141	9,322	956,568	2019-12-12 14:25
292,167	43,999	50,555	69,902	0,501	0,502	10938,313	11142,063	44,424	10,272	10,307	4,762	52,414	9,346	956,569	2019-12-12 14:25
292,500	44,009	50,551	69,898	0,501	0,501	10928,561	11134,573	43,151	10,428	10,176	4,725	52,463	9,351	956,568	2019-12-12 14:26
292,834	44,023	50,543	69,900	0,501	0,502	10922,230	11159,173	43,240	10,346	10,178	4,732	52,943	9,393	956,568	2019-12-12 14:26
293,167	44,031	50,552	69,892	0,501	0,502	10920,549	11144,525	39,875	10,110	10,470	4,766	53,126	9,410	956,568	2019-12-12 14:26
293,500	44,048	50,563	69,896	0,501	0,503	10910,181	11155,324	41,903	10,183	10,397	4,801	52,381	9,344	956,476	2019-12-12 14:27
293,834	44,050	50,569	69,883	0,501	0,502	10919,515	11125,599	44,309	10,140	10,430	4,763	52,757	9,377	956,476	2019-12-12 14:27
294,167	44,058	50,580	69,889	0,502	0,502	10915,951	11125,928	42,905	9,988	10,576	4,757	52,391	9,344	956,476	2019-12-12 14:27
294,500	44,062	50,582	69,893	0,501	0,502	10912,102	11129,500	44,667	10,014	10,584	4,783	52,303	9,337	956,476	2019-12-12 14:28
294,833	44,068	50,588	69,920	0,501	0,502	10903,628	11144,068	45,681	10,092	10,528	4,758	52,374	9,343	956,475	2019-12-12 14:28

Pellematic 56_cat II_run 2_191212.Dat

Category: II

	301	302	304	305	306	308	317	1311	1312	1313	1314	1315	1316	1317	1318	1101	1102
Mättid	CO chimney	CO2 chimney	Pdyn	Pstat	Static pressure chimney	O2 chimney	Våg	Flue gas temp	Ambient	Flue gas at pitot	filter temp 1	filter temp 2	gas meter temp 1	gas meter temp 2	gasmeter temp ambient		T4 outlet load side
Minuter	VDC	VDC	VDC	VDC	VDC	VDC	VDC	°C	°C	°C	°C	°C	°C	°C	°C	°C	°C
295,167	0,216	0,601	1,316	0,120	0,010	0,354	1,303	70,910	20,215	23,016	21,339	20,891	20,513	21,143	29,963	20,551	62,975
295,500	0,215	0,596	1,308	0,119	0,011	0,357	1,302	70,930	20,227	23,007	21,339	20,882	20,522	21,153	29,955	20,554	62,973
295,833	0,216	0,600	1,317	0,119	0,017	0,352	1,304	70,923	20,236	23,014	21,342	20,904	20,524	21,156	29,948	20,562	62,978
296,167	0,217	0,607	1,315	0,120	0,013	0,347	1,304	70,922	20,236	22,994	21,341	20,900	20,526	21,148	29,939	20,559	62,983
296,500	0,217	0,608	1,317	0,119	0,015	0,346	1,302	70,939	20,248	22,984	21,353	20,904	20,540	21,165	29,948	20,567	62,986
296,833	0,217	0,606	1,314	0,118	0,018	0,348	1,303	70,942	20,234	22,972	21,338	20,898	20,526	21,149	29,954	20,563	62,981
297,167	0,216	0,603	1,313	0,120	0,021	0,352	1,302	70,942	20,242	22,903	21,340	20,888	20,519	21,160	29,949	20,561	62,974
297,500	0,216	0,597	1,309	0,120	0,026	0,357	1,302	70,933	20,237	22,967	21,345	20,904	20,537	21,159	29,952	20,567	62,971
297,833	0,216	0,604	1,319	0,119	0,023	0,349	1,301	70,910	20,296	22,993	21,347	20,906	20,528	21,167	29,976	20,568	62,967
298,167	0,216	0,609	1,314	0,121	0,014	0,345	1,302	70,914	20,259	22,991	21,344	20,895	20,523	21,173	29,952	20,568	63,147
298,500	0,216	0,607	1,309	0,119	0,015	0,348	1,301	70,902	20,249	22,987	21,336	20,896	20,533	21,167	29,941	20,564	63,281
298,833	0,217	0,599	1,296	0,119	0,010	0,354	1,302	70,889	20,277	22,941	21,338	20,897	20,530	21,165	29,951	20,572	63,213
299,167	0,216	0,595	1,303	0,121	0,014	0,357	1,300	70,900	20,295	22,956	21,331	20,891	20,527	21,161	29,933	20,564	63,202
299,500	0,215	0,590	1,315	0,117	0,016	0,362	1,300	70,906	20,299	22,974	21,346	20,911	20,536	21,179	29,936	20,576	63,182
299,834	0,216	0,594	1,305	0,119	0,010	0,358	1,300	70,910	20,300	23,023	21,352	20,906	20,550	21,177	29,942	20,584	63,187
300,167	0,218	0,602	1,316	0,118	0,016	0,351	1,300	70,913	20,292	22,986	21,340	20,906	20,544	21,172	29,944	20,574	63,127
300,500	0,216	0,605	1,314	0,119	0,018	0,349	1,300	70,894	20,259	22,968	21,339	20,895	20,530	21,166	29,932	20,569	63,157
300,834	0,215	0,607	1,313	0,121	0,022	0,347	1,300	70,901	20,229	22,949	21,341	20,902	20,535	21,179	29,931	20,574	63,006
301,167	0,217	0,618	1,297	0,120	0,012	0,338	1,299	70,892	20,217	22,973	21,329	20,891	20,527	21,171	29,928	20,574	62,769
301,500	0,218	0,623	1,302	0,121	0,008	0,334	1,299	70,915	20,192	22,939	21,335	20,889	20,536	21,174	29,936	20,577	62,852
301,833	0,220	0,622	1,303	0,121	0,014	0,335	1,299	70,889	20,194	22,962	21,327	20,897	20,525	21,172	29,923	20,570	62,865
302,167	0,219	0,628	1,312	0,119	0,021	0,329	1,299	70,893	20,224	22,998	21,347	20,906	20,529	21,179	29,924	20,573	62,881
302,500	0,218	0,632	1,321	0,119	0,023	0,326	1,299	70,898	20,216	22,998	21,346	20,908	20,529	21,178	29,936	20,578	62,872
302,833	0,217	0,623	1,316	0,120	0,014	0,335	1,299	70,893	20,223	22,984	21,344	20,890	20,532	21,177	29,924	20,574	62,875
303,167	0,216	0,612	1,311	0,120	0,019	0,343	1,299	70,866	20,229	22,957	21,330	20,880	20,527	21,177	29,918	20,571	62,933
303,500	0,217	0,618	1,300	0,120	0,020	0,338	1,298	70,849	20,242	22,944	21,323	20,887	20,541	21,173	29,894	20,573	62,988
303,833	0,217	0,620	1,303	0,120	0,014	0,336	1,298	70,825	20,240	22,949	21,329	20,886	20,529	21,180	29,894	20,574	62,980
304,167	0,216	0,612	1,306	0,121	0,012	0,344	1,297	70,870	20,243	22,968	21,341	20,902	20,536	21,185	29,893	20,585	62,984
304,500	0,216	0,614	1,312	0,120	0,017	0,342	1,297	70,875	20,252	23,005	21,338	20,892	20,527	21,192	29,885	20,580	62,973
304,833	0,218	0,617	1,314	0,119	0,021	0,339	1,296	70,874	20,234	22,978	21,327	20,907	20,535	21,196	29,876	20,587	62,977
305,167	0,218	0,616	1,312	0,120	0,013	0,340	1,297	70,875	20,222	22,979	21,319	20,901	20,527	21,192	29,872	20,583	62,993
305,500	0,218	0,618	1,313	0,119	0,020	0,338	1,297	70,870	20,244	22,964	21,325	20,884	20,535	21,178	29,865	20,583	62,997
305,833	0,217	0,619	1,314	0,119	0,010	0,336	1,297	70,884	20,241	22,971	21,323	20,885	20,529	21,175	29,862	20,579	63,000
306,167	0,215	0,625	1,319	0,119	0,013	0,331	1,296	70,882	20,259	22,998	21,329	20,894	20,533	21,185	29,871	20,584	62,996
306,500	0,216	0,633	1,310	0,119	0,016	0,325	1,296	70,886	20,254	22,988	21,330	20,889	20,535	21,179	29,867	20,584	63,002
306,834	0,216	0,638	1,308	0,119	0,016	0,320	1,295	70,888	20,251	22,979	21,335	20,892	20,534	21,178	29,862	20,583	62,997
307,167	0,218	0,647	1,310	0,119	0,009	0,313	1,296	70,906	20,224	22,964	21,318	20,878	20,529	21,176	29,854	20,580	63,006

Pellematic 56_cat II_run 2_191212.Dat

Category: II

	1103	1108	1109	130	230	101	102	1	2	3	6	7	8	11	
Mättid	T3 inlet load side	T2 inlet boiler	T1 outlet boiler	Flow load side	Flow boiler side	Heat output load side	Heat output boiler	CO chimney	CO2 chimney	O2 chimney	Pstat	Pdyn	Tunnel velocity	Våg	Tidpunkt
Minuter	°C	°C	°C	m³/h	m³/h	W	W	ppm	%	%	Pa	Pa	m/s	kg	Klockan
295,167	44,072	50,592	69,871	0,501	0,502	10900,864	11118,605	42,370	9,985	10,609	4,795	52,412	9,346	956,350	2019-12-12 14:28
295,500	44,067	50,601	69,903	0,501	0,503	10909,134	11135,098	40,740	9,914	10,696	4,752	52,192	9,327	956,350	2019-12-12 14:29
295,833	44,062	50,594	69,885	0,501	0,502	10903,750	11109,093	43,565	10,052	10,564	4,762	52,815	9,382	956,476	2019-12-12 14:29
296,167	44,062	50,604	69,886	0,501	0,502	10907,227	11120,857	43,483	10,190	10,399	4,805	52,620	9,365	956,476	2019-12-12 14:29
296,500	44,066	50,606	69,895	0,501	0,502	10909,578	11122,231	45,419	10,178	10,393	4,753	52,476	9,352	956,350	2019-12-12 14:30
296,833	44,063	50,606	69,888	0,501	0,502	10907,490	11114,999	43,592	10,144	10,440	4,738	52,859	9,386	956,350	2019-12-12 14:30
297,167	44,067	50,602	69,858	0,501	0,502	10906,638	11096,579	42,145	9,994	10,551	4,792	52,359	9,342	956,351	2019-12-12 14:30
297,500	44,074	50,602	69,871	0,501	0,502	10899,044	11102,180	44,426	9,932	10,698	4,803	52,400	9,345	956,351	2019-12-12 14:31
297,833	44,084	50,597	69,862	0,502	0,501	10904,693	11085,547	44,405	10,161	10,477	4,747	52,769	9,378	956,350	2019-12-12 14:31
298,167	44,096	50,592	69,898	0,501	0,501	10987,947	11110,782	44,499	10,247	10,349	4,851	52,851	9,385	956,350	2019-12-12 14:31
298,500	44,119	50,581	69,887	0,502	0,501	11061,498	11102,531	44,752	10,140	10,434	4,778	51,955	9,305	956,256	2019-12-12 14:32
298,833	44,141	50,512	69,877	0,502	0,502	11012,237	11169,883	46,685	9,937	10,625	4,754	51,668	9,280	956,350	2019-12-12 14:32
299,167	44,152	50,459	69,882	0,502	0,502	10999,891	11193,038	41,977	9,852	10,709	4,823	52,236	9,331	956,256	2019-12-12 14:32
299,500	44,168	50,447	69,866	0,502	0,502	10972,904	11180,918	41,022	9,720	10,855	4,693	52,816	9,382	956,256	2019-12-12 14:33
299,834	44,178	50,437	69,869	0,502	0,502	10975,302	11199,661	44,749	9,920	10,744	4,752	51,861	9,297	956,256	2019-12-12 14:33
300,167	44,170	50,446	69,871	0,501	0,501	10925,912	11182,137	46,930	10,087	10,537	4,727	52,864	9,387	956,257	2019-12-12 14:33
300,500	44,160	50,468	69,873	0,501	0,502	10961,450	11182,326	41,561	10,140	10,462	4,752	52,321	9,338	956,256	2019-12-12 14:34
300,834	44,147	50,494	69,838	0,501	0,501	10879,655	11120,186	41,753	10,204	10,419	4,843	52,500	9,354	956,256	2019-12-12 14:34
301,167	44,127	50,487	69,856	0,501	0,501	10753,000	11131,025	47,774	10,528	10,126	4,806	51,858	9,297	956,163	2019-12-12 14:34
301,500	44,112	50,548	69,857	0,501	0,501	10810,833	11099,416	49,199	10,567	10,007	4,833	52,270	9,334	956,162	2019-12-12 14:35
301,833	44,093	50,614	69,869	0,502	0,503	10832,367	11112,593	53,203	10,542	10,037	4,850	52,152	9,323	956,162	2019-12-12 14:35
302,167	44,084	50,654	69,825	0,502	0,502	10849,464	11039,451	51,545	10,721	9,869	4,759	52,638	9,366	956,163	2019-12-12 14:35
302,500	44,094	50,659	69,867	0,501	0,501	10826,698	11048,676	47,105	10,786	9,790	4,766	53,189	9,415	956,163	2019-12-12 14:36
302,833	44,112	50,661	69,867	0,501	0,501	10822,906	11046,429	46,762	10,469	10,037	4,804	52,530	9,357	956,163	2019-12-12 14:36
303,167	44,133	50,657	69,895	0,501	0,502	10836,425	11089,695	43,742	10,312	10,287	4,792	52,079	9,317	956,162	2019-12-12 14:36
303,500	44,159	50,669	69,846	0,502	0,503	10870,268	11063,581	45,671	10,502	10,129	4,780	51,982	9,308	956,124	2019-12-12 14:37
303,833	44,178	50,665	69,835	0,501	0,501	10842,811	11031,058	46,188	10,449	10,093	4,814	52,015	9,311	956,162	2019-12-12 14:37
304,167	44,202	50,657	69,840	0,501	0,502	10829,767	11049,572	43,159	10,264	10,320	4,828	52,505	9,355	956,068	2019-12-12 14:37
304,500	44,221	50,665	69,872	0,502	0,501	10825,753	11046,964	44,666	10,380	10,253	4,810	52,268	9,333	956,069	2019-12-12 14:38
304,833	44,229	50,663	69,856	0,501	0,501	10812,670	11048,796	48,185	10,423	10,183	4,778	52,481	9,352	955,976	2019-12-12 14:38
305,167	44,237	50,679	69,891	0,501	0,501	10811,172	11048,192	47,102	10,378	10,201	4,802	52,454	9,350	956,069	2019-12-12 14:38
305,500	44,242	50,683	69,836	0,501	0,502	10814,474	11048,467	49,611	10,463	10,141	4,749	52,673	9,370	956,069	2019-12-12 14:39
305,833	44,242	50,701	69,889	0,501	0,501	10816,552	11040,942	43,268	10,508	10,080	4,766	52,594	9,363	956,069	2019-12-12 14:39
306,167	44,242	50,710	69,902	0,501	0,501	10812,766	11037,635	40,679	10,688	9,933	4,770	52,815	9,382	955,976	2019-12-12 14:39
306,500	44,244	50,705	69,889	0,501	0,501	10809,438	11035,824	43,243	10,846	9,743	4,750	52,154	9,323	955,976	2019-12-12 14:40
306,834	44,234	50,709	69,869	0,501	0,502	10818,162	11046,061	43,992	10,983	9,608	4,751	52,274	9,334	955,850	2019-12-12 14:40
307,167	44,232	50,722	69,893	0,501	0,502	10819,983	11045,719	49,199	11,199	9,389	4,750	52,461	9,351	955,976	2019-12-12 14:40

Pellematic 56_cat II_run 2_191212.Dat

Category: II

	301	302	304	305	306	308	317	1311	1312	1313	1314	1315	1316	1317	1318	1101	1102
Mättid	CO chimney	CO2 chimney	Pdyn	Pstat	Static pressure chimney	O2 chimney	Våg	Flue gas temp	Ambient	Flue gas at pitot	filter temp 1	filter temp 2	gas meter temp 1	gas meter temp 2	gasmeter temp ambient		T4 outlet load side
Minuter	VDC	VDC	VDC	VDC	VDC	VDC	VDC	°C	°C	°C	°C	°C	°C	°C	°C	°C	°C
307,500	0,218	0,649	1,318	0,119	0,008	0,312	1,296	70,884	20,217	22,965	21,320	20,884	20,525	21,181	29,858	20,583	63,013
307,834	0,218	0,648	1,309	0,119	0,016	0,313	1,295	70,862	20,200	22,978	21,332	20,900	20,542	21,181	29,864	20,588	63,011
308,167	0,220	0,649	1,295	0,119	0,013	0,311	1,296	70,861	20,220	23,003	21,340	20,908	20,541	21,199	29,886	20,595	63,028
308,500	0,221	0,646	1,305	0,120	0,016	0,314	1,295	70,909	20,210	23,026	21,339	20,901	20,543	21,197	29,901	20,598	63,047
308,833	0,220	0,641	1,301	0,120	0,017	0,318	1,294	70,898	20,212	22,998	21,337	20,885	20,536	21,195	29,891	20,592	63,049
309,167	0,219	0,638	1,309	0,119	0,017	0,320	1,294	70,908	20,234	23,017	21,324	20,901	20,550	21,204	29,890	20,596	63,054
309,500	0,218	0,633	1,302	0,119	0,014	0,325	1,294	70,911	20,244	22,999	21,324	20,887	20,541	21,190	29,892	20,594	63,053
309,833	0,220	0,635	1,310	0,120	0,021	0,323	1,294	70,895	20,239	22,951	21,324	20,887	20,538	21,195	29,898	20,592	63,062
310,167	0,221	0,638	1,302	0,121	0,015	0,321	1,294	70,919	20,263	22,926	21,326	20,886	20,539	21,192	29,892	20,596	63,044
310,500	0,221	0,638	1,304	0,121	0,013	0,321	1,293	70,892	20,238	22,959	21,324	20,890	20,530	21,202	29,890	20,594	63,047
310,833	0,221	0,635	1,298	0,120	0,013	0,323	1,292	70,872	20,229	22,989	21,317	20,894	20,539	21,195	29,902	20,595	63,050
311,167	0,222	0,637	1,305	0,119	0,013	0,321	1,292	70,885	20,261	22,965	21,315	20,893	20,542	21,207	29,885	20,599	63,064
311,500	0,220	0,639	1,307	0,120	0,014	0,321	1,292	70,907	20,197	23,012	21,319	20,895	20,546	21,202	29,881	20,604	63,061
311,833	0,221	0,635	1,305	0,119	0,018	0,323	1,292	70,907	20,263	22,986	21,333	20,895	20,543	21,209	29,878	20,606	63,061
312,167	0,221	0,637	1,308	0,119	0,013	0,322	1,291	70,911	20,280	22,986	21,323	20,891	20,559	21,206	29,890	20,606	63,071
312,500	0,221	0,628	1,296	0,121	0,012	0,331	1,292	70,911	20,271	22,935	21,315	20,881	20,545	21,200	29,879	20,604	63,077
312,834	0,219	0,620	1,307	0,118	0,019	0,336	1,291	70,923	20,266	22,987	21,329	20,907	20,556	21,207	29,877	20,612	63,084
313,167	0,219	0,628	1,321	0,119	0,013	0,328	1,291	70,898	20,242	23,024	21,323	20,887	20,537	21,208	29,874	20,603	63,096
313,500	0,221	0,637	1,300	0,120	0,019	0,321	1,291	70,896	20,222	23,051	21,333	20,903	20,550	21,206	29,876	20,609	63,125
313,834	0,218	0,636	1,304	0,119	0,016	0,323	1,291	70,877	20,248	23,016	21,331	20,892	20,554	21,214	29,861	20,608	63,075
314,167	0,219	0,644	1,295	0,120	0,011	0,315	1,290	70,883	20,229	23,016	21,317	20,891	20,534	21,207	29,858	20,602	63,075
314,500	0,220	0,655	1,302	0,120	0,016	0,306	1,289	70,886	20,258	23,011	21,329	20,891	20,551	21,216	29,856	20,611	63,100
314,834	0,219	0,650	1,308	0,118	0,014	0,311	1,289	70,870	20,258	23,026	21,337	20,884	20,542	21,214	29,846	20,609	63,114
315,167	0,218	0,655	1,307	0,119	0,012	0,307	1,288	70,856	20,235	23,038	21,327	20,897	20,542	21,202	29,846	20,605	63,121
315,500	0,219	0,661	1,313	0,118	0,009	0,301	1,289	70,908	20,217	23,059	21,337	20,888	20,546	21,211	29,850	20,610	62,943
315,833	0,218	0,668	1,319	0,117	0,014	0,295	1,288	70,899	20,216	23,045	21,336	20,889	20,538	21,202	29,839	20,603	62,798
316,167	0,220	0,673	1,317	0,118	0,014	0,291	1,288	70,915	20,192	23,057	21,327	20,905	20,552	21,209	29,859	20,615	62,894
316,500	0,221	0,675	1,315	0,118	0,022	0,290	1,289	70,931	20,196	23,028	21,346	20,909	20,558	21,219	29,874	20,625	62,929
316,833	0,220	0,672	1,303	0,120	0,013	0,292	1,288	70,931	20,182	23,019	21,341	20,904	20,554	21,213	29,864	20,620	62,951
317,167	0,220	0,663	1,309	0,118	0,010	0,301	1,287	70,949	20,189	23,035	21,341	20,902	20,555	21,220	29,854	20,618	62,954
317,500	0,220	0,662	1,313	0,118	0,016	0,300	1,288	70,959	20,202	23,046	21,343	20,903	20,544	21,210	29,857	20,614	62,953
317,833	0,222	0,659	1,311	0,118	0,013	0,303	1,288	70,939	20,179	23,057	21,331	20,890	20,542	21,209	29,858	20,612	62,984
318,167	0,221	0,655	1,308	0,119	0,018	0,307	1,287	70,957	20,197	23,060	21,333	20,894	20,549	21,221	29,850	20,612	63,003
318,500	0,222	0,663	1,304	0,119	0,018	0,300	1,287	70,965	20,179	23,041	21,318	20,894	20,540	21,205	29,843	20,612	63,010
318,833	0,223	0,661	1,316	0,120	0,011	0,302	1,286	70,969	20,211	23,025	21,317	20,890	20,548	21,210	29,858	20,612	63,040
319,167	0,222	0,649	1,315	0,118	0,015	0,313	1,286	70,980	20,210	23,011	21,308	20,893	20,542	21,209	29,838	20,610	63,053
319,500	0,222	0,646	1,324	0,118	0,013	0,314	1,285	71,028	20,225	23,022	21,321	20,882	20,547	21,211	29,858	20,616	63,076

Pellematic 56_cat II_run 2_191212.Dat

Category: II

	1103	1108	1109	130	230	101	102	1	2	3	6	7	8	11	
Mättid	T3 inlet load side	T2 inlet boiler	T1 outlet boiler	Flow load side	Flow boiler side	Heat output load side	Heat output boiler	CO chimney	CO2 chimney	O2 chimney	Pstat	Pdyn	Tunnel velocity	Våg	Tidpunkt
Minuter	°C	°C	°C	m³/h	m³/h	W	W	ppm	%	%	Pa	Pa	m/s	kg	Klockan
307,500	44,229	50,731	69,918	0,501	0,501	10837,012	11045,971	47,625	11,213	9,360	4,762	52,465	9,351	955,976	2019-12-12 14:41
307,834	44,226	50,718	69,936	0,501	0,501	10831,788	11060,127	49,194	11,191	9,397	4,765	52,178	9,325	955,861	2019-12-12 14:41
308,167	44,225	50,715	69,939	0,500	0,502	10826,710	11085,134	53,415	11,247	9,339	4,773	51,712	9,284	955,976	2019-12-12 14:41
308,500	44,216	50,732	69,974	0,501	0,503	10845,320	11107,208	54,475	11,121	9,418	4,781	52,333	9,339	955,851	2019-12-12 14:42
308,833	44,202	50,742	69,974	0,501	0,502	10859,151	11087,676	53,390	11,025	9,530	4,805	52,078	9,316	955,851	2019-12-12 14:42
309,167	44,182	50,739	69,937	0,501	0,502	10872,972	11053,022	50,698	10,939	9,614	4,766	52,242	9,331	955,851	2019-12-12 14:42
309,500	44,158	50,733	70,002	0,501	0,503	10883,689	11127,298	47,126	10,796	9,753	4,753	51,966	9,306	955,851	2019-12-12 14:43
309,833	44,133	50,728	69,991	0,501	0,502	10911,336	11097,482	54,151	10,928	9,685	4,795	52,269	9,334	955,848	2019-12-12 14:43
310,167	44,100	50,726	70,012	0,501	0,502	10922,003	11120,227	56,688	10,956	9,634	4,830	52,273	9,334	955,851	2019-12-12 14:43
310,500	44,074	50,699	70,018	0,501	0,502	10930,835	11134,711	54,567	10,920	9,626	4,839	51,901	9,301	955,757	2019-12-12 14:44
310,833	44,058	50,690	70,033	0,501	0,502	10942,934	11146,461	56,008	10,873	9,700	4,789	51,902	9,301	955,757	2019-12-12 14:44
311,167	44,047	50,675	70,051	0,501	0,502	10964,739	11176,945	57,188	10,952	9,628	4,780	52,151	9,323	955,756	2019-12-12 14:44
311,500	44,045	50,675	70,065	0,501	0,501	10962,970	11161,166	53,561	10,928	9,622	4,790	52,332	9,339	955,756	2019-12-12 14:45
311,833	44,049	50,663	70,091	0,502	0,502	10976,508	11186,533	56,917	10,923	9,697	4,759	52,181	9,326	955,757	2019-12-12 14:45
312,167	44,053	50,640	70,090	0,500	0,501	10951,123	11182,873	54,982	10,890	9,655	4,768	52,139	9,322	955,757	2019-12-12 14:45
312,500	44,073	50,640	70,126	0,501	0,501	10950,026	11210,059	54,149	10,616	9,921	4,839	52,117	9,320	955,756	2019-12-12 14:46
312,834	44,088	50,644	70,125	0,501	0,501	10943,774	11196,544	50,788	10,523	10,070	4,727	52,376	9,343	955,663	2019-12-12 14:46
313,167	44,104	50,651	70,116	0,501	0,501	10945,753	11195,887	52,044	10,800	9,852	4,755	52,464	9,351	955,663	2019-12-12 14:46
313,500	44,119	50,665	70,127	0,501	0,502	10953,853	11219,794	54,080	10,928	9,643	4,783	52,047	9,314	955,663	2019-12-12 14:47
313,834	44,141	50,693	70,138	0,501	0,502	10915,114	11197,636	48,189	10,918	9,694	4,744	51,966	9,306	955,663	2019-12-12 14:47
314,167	44,156	50,716	70,148	0,501	0,502	10896,692	11200,899	50,288	11,180	9,446	4,804	51,696	9,282	955,570	2019-12-12 14:47
314,500	44,170	50,761	70,162	0,501	0,501	10904,090	11160,660	54,143	11,378	9,194	4,784	52,105	9,319	955,570	2019-12-12 14:48
314,834	44,183	50,785	70,153	0,500	0,501	10901,094	11138,415	50,371	11,233	9,319	4,739	52,421	9,347	955,570	2019-12-12 14:48
315,167	44,188	50,799	70,207	0,501	0,501	10908,046	11160,614	48,004	11,417	9,199	4,743	52,486	9,353	955,570	2019-12-12 14:48
315,500	44,188	50,808	70,216	0,501	0,502	10807,207	11194,980	48,520	11,572	9,022	4,717	52,725	9,374	955,569	2019-12-12 14:49
315,833	44,183	50,837	70,231	0,500	0,502	10718,163	11174,978	48,102	11,744	8,859	4,673	52,796	9,380	955,477	2019-12-12 14:49
316,167	44,178	50,937	70,243	0,501	0,502	10780,970	11122,551	55,508	11,853	8,717	4,728	52,724	9,374	955,477	2019-12-12 14:49
316,500	44,171	51,028	70,276	0,500	0,502	10792,330	11099,542	53,723	11,838	8,689	4,713	52,650	9,368	955,569	2019-12-12 14:50
316,833	44,166	51,067	70,304	0,501	0,503	10831,233	11096,816	54,906	11,761	8,772	4,782	51,908	9,301	955,476	2019-12-12 14:50
317,167	44,161	51,086	70,315	0,501	0,501	10828,541	11062,356	49,954	11,520	9,030	4,733	52,432	9,348	955,434	2019-12-12 14:50
317,500	44,155	51,080	70,355	0,501	0,502	10833,314	11106,583	54,314	11,571	9,006	4,700	52,109	9,319	955,477	2019-12-12 14:51
317,833	44,156	51,073	70,378	0,500	0,503	10832,962	11137,047	57,251	11,414	9,104	4,728	52,626	9,365	955,477	2019-12-12 14:51
318,167	44,153	51,095	70,387	0,501	0,503	10865,584	11130,715	53,973	11,373	9,205	4,756	52,367	9,342	955,349	2019-12-12 14:51
318,500	44,158	51,108	70,464	0,501	0,504	10860,421	11188,228	60,526	11,613	8,992	4,754	52,025	9,312	955,348	2019-12-12 14:52
318,833	44,159	51,116	70,456	0,501	0,502	10874,871	11135,157	59,856	11,463	9,059	4,782	52,841	9,384	955,348	2019-12-12 14:52
319,167	44,162	51,116	70,482	0,500	0,502	10877,924	11157,349	57,255	11,123	9,402	4,735	52,744	9,376	955,349	2019-12-12 14:52
319,500	44,169	51,121	70,510	0,501	0,503	10890,138	11187,245	57,252	11,176	9,415	4,722	53,185	9,415	955,254	2019-12-12 14:53

Pellematic 56_cat II_run 2_191212.Dat

Category: II

	301	302	304	305	306	308	317	1311	1312	1313	1314	1315	1316	1317	1318	1101	1102
Mättid	CO chimney	CO2 chimney	Pdyn	Pstat	Static pressure chimney	O2 chimney	Våg	Flue gas temp	Ambient	Flue gas at pitot	filter temp 1	filter temp 2	gas meter temp 1	gas meter temp 2	gasmeter temp ambient		T4 outlet load side
Minuter	VDC	VDC	VDC	VDC	VDC	VDC	VDC	°C	°C	°C	°C	°C	°C	°C	°C	°C	°C
319,834	0,222	0,646	1,318	0,117	0,018	0,314	1,286	71,025	20,227	22,985	21,316	20,889	20,546	21,199	29,852	20,608	63,088
320,167	0,221	0,637	1,320	0,119	0,013	0,322	1,285	71,017	20,220	22,976	21,305	20,886	20,534	21,205	29,847	20,607	63,112
320,500	0,219	0,629	1,325	0,119	0,017	0,328	1,285	71,036	20,232	23,059	21,315	20,880	20,540	21,203	29,852	20,610	63,131
320,834	0,220	0,629	1,307	0,119	0,013	0,328	1,284	71,029	20,233	22,998	21,312	20,884	20,544	21,208	29,854	20,611	63,148
321,167	0,220	0,629	1,296	0,120	0,014	0,329	1,284	71,038	20,217	22,976	21,305	20,880	20,540	21,199	29,850	20,612	63,153
321,500	0,220	0,627	1,300	0,119	0,019	0,331	1,283	71,048	20,220	22,980	21,313	20,886	20,549	21,204	29,865	20,616	63,158
321,834	0,221	0,629	1,314	0,119	0,011	0,329	1,284	71,045	20,189	23,035	21,317	20,884	20,542	21,202	29,856	20,610	63,152
322,167	0,219	0,627	1,320	0,118	0,012	0,330	1,284	71,052	20,223	23,033	21,322	20,879	20,553	21,203	29,852	20,615	63,166
322,500	0,223	0,630	1,313	0,120	0,013	0,327	1,283	71,068	20,197	23,009	21,316	20,888	20,553	21,211	29,867	20,618	63,161
322,833	0,224	0,635	1,306	0,118	0,015	0,324	1,284	71,031	20,197	22,952	21,301	20,879	20,547	21,203	29,864	20,612	62,790
323,167	0,222	0,636	1,305	0,118	0,013	0,322	1,283	71,050	20,216	22,940	21,313	20,889	20,556	21,221	29,870	20,619	62,843
323,500	0,220	0,639	1,304	0,118	0,012	0,320	1,283	71,095	20,237	23,000	21,308	20,871	20,550	21,198	29,860	20,616	62,882
323,833	0,220	0,642	1,312	0,120	0,011	0,317	1,282	71,109	20,249	22,997	21,306	20,881	20,554	21,202	29,867	20,616	62,926
324,167	0,219	0,643	1,320	0,119	0,016	0,317	1,282	71,115	20,212	22,991	21,324	20,887	20,556	21,208	29,867	20,622	62,943
324,500	0,219	0,637	1,309	0,119	0,014	0,320	1,282	71,118	20,222	23,006	21,322	20,881	20,565	21,210	29,859	20,621	62,953
324,833	0,220	0,634	1,308	0,121	0,015	0,324	1,283	71,143	20,244	22,982	21,315	20,885	20,558	21,213	29,853	20,622	62,965
325,167	0,221	0,632	1,307	0,120	0,016	0,326	1,281	71,158	20,277	23,001	21,305	20,886	20,553	21,206	29,842	20,620	62,989
325,500	0,221	0,626	1,303	0,121	0,013	0,332	1,281	71,143	20,283	22,994	21,304	20,891	20,548	21,217	29,844	20,622	63,014
325,833	0,220	0,619	1,305	0,120	0,010	0,337	1,280	71,159	20,247	22,978	21,302	20,873	20,550	21,212	29,832	20,618	63,047
326,167	0,220	0,621	1,306	0,119	0,015	0,334	1,281	71,180	20,245	22,974	21,304	20,873	20,549	21,198	29,826	20,616	63,081
326,500	0,219	0,622	1,319	0,118	0,018	0,334	1,281	71,195	20,229	22,951	21,309	20,879	20,557	21,212	29,831	20,623	63,097
326,834	0,220	0,621	1,310	0,121	0,012	0,336	1,280	71,206	20,246	22,950	21,307	20,887	20,554	21,213	29,831	20,627	63,108
327,167	0,219	0,622	1,313	0,120	0,014	0,334	1,280	71,211	20,266	22,962	21,305	20,873	20,549	21,215	29,835	20,619	63,126
327,500	0,219	0,627	1,323	0,120	0,015	0,330	1,280	71,232	20,265	22,984	21,306	20,874	20,546	21,205	29,825	20,622	63,124
327,834	0,218	0,624	1,314	0,119	0,018	0,333	1,280	71,240	20,262	22,987	21,326	20,882	20,554	21,216	29,822	20,624	63,126
328,167	0,219	0,625	1,305	0,120	0,012	0,331	1,279	71,242	20,274	23,019	21,322	20,884	20,560	21,221	29,841	20,631	63,142
328,500	0,220	0,627	1,310	0,120	0,010	0,329	1,279	71,299	20,289	23,030	21,326	20,895	20,567	21,230	29,828	20,632	63,145
328,833	0,219	0,628	1,313	0,118	0,009	0,329	1,279	71,301	20,254	22,993	21,317	20,879	20,555	21,221	29,807	20,622	63,149
329,167	0,220	0,629	1,325	0,119	0,009	0,328	1,278	71,318	20,268	23,008	21,310	20,888	20,547	21,223	29,818	20,622	62,730
329,500	0,221	0,634	1,323	0,119	0,011	0,324	1,278	71,337	20,296	23,059	21,324	20,896	20,545	21,224	29,825	20,622	62,822
329,833	0,220	0,631	1,316	0,118	0,015	0,327	1,277	71,338	20,279	23,081	21,334	20,885	20,558	21,215	29,841	20,625	62,863
330,167	0,219	0,625	1,317	0,118	0,009	0,332	1,278	71,358	20,311	23,133	21,345	20,907	20,558	21,219	29,860	20,624	62,884
330,500	0,217	0,620	1,304	0,117	0,015	0,335	1,278	71,369	20,333	23,164	21,354	20,920	20,563	21,208	29,877	20,624	62,888
330,833	0,217	0,618	1,302	0,119	0,011	0,337	1,277	71,380	20,307	23,247	21,360	20,920	20,562	21,213	29,891	20,621	62,888
331,167	0,217	0,616	1,289	0,118	0,012	0,339	1,277	71,375	20,302	23,241	21,377	20,922	20,558	21,216	29,910	20,622	62,892
331,500	0,218	0,621	1,300	0,119	0,013	0,335	1,276	71,382	20,320	23,253	21,375	20,928	20,569	21,221	29,923	20,624	62,908
331,833	0,220	0,629	1,305	0,117	0,017	0,328	1,276	71,391	20,310	23,240	21,381	20,947	20,583	21,213	29,938	20,631	62,925

Pellematic 56_cat II_run 2_191212.Dat

Category: II

	1103	1108	1109	130	230	101	102	1	2	3	6	7	8	11	
Mättid	T3 inlet load side	T2 inlet boiler	T1 outlet boiler	Flow load side	Flow boiler side	Heat output load side	Heat output boiler	CO chimney	CO2 chimney	O2 chimney	Pstat	Pdyn	Tunnel velocity	Våg	Tidpunkt
Minuter	°C	°C	°C	m³/h	m³/h	W	W	ppm	%	%	Pa	Pa	m/s	kg	Klockan
319,834	44,169	51,136	70,514	0,501	0,502	10902,020	11169,275	58,429	11,112	9,433	4,698	52,554	9,359	955,348	2019-12-12 14:53
320,167	44,161	51,150	70,549	0,500	0,503	10903,807	11189,417	53,144	10,849	9,673	4,755	52,704	9,372	955,349	2019-12-12 14:53
320,500	44,133	51,160	70,569	0,500	0,502	10938,669	11179,161	51,807	10,719	9,839	4,761	53,145	9,411	955,349	2019-12-12 14:54
320,834	44,093	51,166	70,593	0,500	0,502	10970,424	11200,817	52,218	10,695	9,842	4,775	52,123	9,320	955,254	2019-12-12 14:54
321,167	44,040	51,167	70,618	0,500	0,503	10996,557	11227,440	53,469	10,735	9,860	4,817	51,896	9,300	955,254	2019-12-12 14:54
321,500	43,975	51,159	70,634	0,500	0,502	11045,649	11223,869	54,062	10,666	9,920	4,776	52,219	9,329	955,160	2019-12-12 14:55
321,834	43,914	51,133	70,650	0,501	0,503	11080,454	11266,204	55,827	10,711	9,864	4,780	52,659	9,368	955,254	2019-12-12 14:55
322,167	43,866	51,108	70,686	0,500	0,503	11106,527	11295,098	50,623	10,667	9,913	4,720	52,746	9,376	955,254	2019-12-12 14:55
322,500	43,825	51,083	70,691	0,500	0,503	11126,094	11313,705	63,801	10,778	9,821	4,798	52,417	9,347	955,255	2019-12-12 14:56
322,833	43,801	51,049	70,682	0,500	0,503	10915,573	11327,114	61,541	10,895	9,728	4,738	52,332	9,339	955,254	2019-12-12 14:56
323,167	43,798	51,066	70,743	0,500	0,502	10961,315	11330,405	57,510	10,903	9,664	4,734	51,997	9,309	955,160	2019-12-12 14:56
323,500	43,805	51,145	70,724	0,500	0,502	10978,318	11272,742	52,108	11,010	9,602	4,729	52,202	9,328	955,161	2019-12-12 14:57
323,833	43,824	51,186	70,751	0,500	0,503	10996,756	11301,502	53,480	11,056	9,518	4,808	52,728	9,374	955,066	2019-12-12 14:57
324,167	43,862	51,229	70,757	0,500	0,502	10975,985	11250,239	49,793	11,078	9,495	4,742	52,592	9,362	955,066	2019-12-12 14:57
324,500	43,895	51,252	70,804	0,501	0,502	10978,447	11261,446	49,536	10,876	9,613	4,749	52,443	9,349	955,160	2019-12-12 14:58
324,833	43,939	51,261	70,839	0,501	0,502	10957,951	11276,849	53,392	10,833	9,734	4,825	52,049	9,314	955,160	2019-12-12 14:58
325,167	43,981	51,285	70,818	0,501	0,501	10947,406	11233,035	56,928	10,799	9,773	4,808	52,498	9,354	955,066	2019-12-12 14:58
325,500	44,012	51,301	70,829	0,500	0,501	10930,357	11237,018	55,067	10,569	9,954	4,823	52,121	9,320	955,067	2019-12-12 14:59
325,833	44,038	51,337	70,888	0,500	0,503	10932,474	11296,357	54,024	10,492	10,105	4,808	52,231	9,330	955,066	2019-12-12 14:59
326,167	44,060	51,387	70,879	0,500	0,502	10942,601	11239,499	52,556	10,561	10,034	4,776	52,482	9,353	955,067	2019-12-12 14:59
326,500	44,072	51,427	70,907	0,501	0,502	10961,238	11231,838	52,556	10,550	10,015	4,736	53,051	9,403	955,067	2019-12-12 15:00
326,834	44,086	51,443	70,903	0,500	0,502	10949,706	11220,304	55,130	10,486	10,070	4,847	52,330	9,339	955,067	2019-12-12 15:00
327,167	44,092	51,461	70,922	0,501	0,502	10964,263	11207,250	48,934	10,599	10,033	4,803	52,751	9,376	954,973	2019-12-12 15:00
327,500	44,091	51,463	70,944	0,501	0,501	10971,477	11202,556	50,870	10,681	9,897	4,792	52,708	9,373	954,974	2019-12-12 15:01
327,834	44,094	51,465	70,947	0,501	0,501	10965,011	11210,553	48,862	10,590	9,987	4,768	52,305	9,337	954,974	2019-12-12 15:01
328,167	44,093	51,465	70,949	0,500	0,501	10969,009	11210,872	52,888	10,629	9,945	4,789	52,164	9,324	954,974	2019-12-12 15:01
328,500	44,089	51,470	70,981	0,501	0,503	10986,036	11260,118	51,626	10,725	9,881	4,811	52,453	9,350	954,973	2019-12-12 15:02
328,833	44,082	51,484	70,961	0,500	0,501	10978,797	11210,185	49,790	10,672	9,867	4,725	52,399	9,345	954,848	2019-12-12 15:02
329,167	44,072	51,484	70,992	0,500	0,501	10741,123	11221,687	55,326	10,783	9,837	4,764	53,292	9,424	954,847	2019-12-12 15:02
329,500	44,063	51,535	70,999	0,500	0,502	10802,429	11202,858	54,232	10,845	9,708	4,765	52,696	9,372	954,848	2019-12-12 15:03
329,833	44,054	51,646	71,019	0,500	0,501	10823,817	11147,656	52,470	10,720	9,816	4,731	52,417	9,347	954,848	2019-12-12 15:03
330,167	44,041	51,712	71,020	0,500	0,501	10846,890	11107,830	49,785	10,604	9,959	4,731	52,727	9,374	954,848	2019-12-12 15:03
330,500	44,024	51,733	71,025	0,500	0,501	10858,245	11096,385	46,161	10,494	10,058	4,687	52,168	9,325	954,848	2019-12-12 15:04
330,833	44,015	51,736	71,024	0,500	0,502	10867,235	11104,714	45,840	10,409	10,112	4,748	52,031	9,312	954,754	2019-12-12 15:04
331,167	44,006	51,744	71,030	0,501	0,502	10879,663	11116,026	46,341	10,419	10,171	4,727	51,552	9,269	954,753	2019-12-12 15:04
331,500	43,993	51,744	71,073	0,500	0,503	10886,025	11159,473	49,946	10,589	10,053	4,741	51,911	9,302	954,753	2019-12-12 15:05
331,833	43,977	51,759	71,056	0,500	0,503	10899,501	11140,832	53,803	10,722	9,854	4,679	52,381	9,344	954,753	2019-12-12 15:05

Pellematic 56_cat II_run 2_191212.Dat

Category: II

	301	302	304	305	306	308	317	1311	1312	1313	1314	1315	1316	1317	1318	1101	1102
Mättid	CO chimney	CO2 chimney	Pdyn	Pstat	Static pressure chimney	O2 chimney	Våg	Flue gas temp	Ambient	Flue gas at pitot	filter temp 1	filter temp 2	gas meter temp 1	gas meter temp 2	gasmeter temp ambient		T4 outlet load side
Minuter	VDC	VDC	VDC	VDC	VDC	VDC	VDC	°C	°C	°C	°C	°C	°C	°C	°C	°C	°C
332,167	0,220	0,623	1,294	0,119	0,011	0,335	1,275	71,434	20,319	23,249	21,381	20,939	20,577	21,221	29,949	20,628	62,933
332,500	0,219	0,619	1,311	0,120	0,013	0,337	1,275	71,473	20,268	23,187	21,384	20,943	20,582	21,231	29,950	20,631	62,925
332,833	0,217	0,626	1,313	0,120	0,013	0,331	1,276	71,504	20,227	23,095	21,376	20,928	20,586	21,234	29,943	20,630	62,931
333,167	0,215	0,623	1,311	0,121	0,015	0,334	1,275	71,479	20,242	23,078	21,368	20,933	20,593	21,225	29,941	20,628	62,930
333,500	0,215	0,621	1,326	0,119	0,016	0,335	1,275	71,500	20,180	23,103	21,366	20,941	20,592	21,230	29,961	20,633	62,931
333,834	0,216	0,624	1,325	0,121	0,009	0,333	1,275	71,500	20,184	23,053	21,367	20,936	20,596	21,226	29,955	20,633	62,933
334,167	0,216	0,625	1,322	0,120	0,018	0,332	1,275	71,499	20,180	23,010	21,369	20,945	20,594	21,236	29,964	20,632	63,064
334,500	0,216	0,622	1,337	0,120	0,016	0,334	1,275	71,530	20,202	23,032	21,365	20,945	20,595	21,235	29,963	20,635	63,054
334,834	0,216	0,622	1,329	0,119	0,016	0,334	1,275	71,535	20,203	22,993	21,358	20,941	20,592	21,231	29,951	20,631	63,043
335,167	0,217	0,623	1,320	0,119	0,018	0,332	1,275	71,525	20,192	22,959	21,351	20,940	20,592	21,236	29,977	20,637	63,035
335,500	0,217	0,625	1,319	0,122	0,014	0,331	1,274	71,541	20,167	22,965	21,345	20,937	20,586	21,229	29,959	20,630	63,046
335,833	0,216	0,624	1,318	0,122	0,009	0,333	1,275	71,576	20,209	22,977	21,349	20,949	20,605	21,237	29,970	20,633	63,055
336,167	0,215	0,623	1,324	0,122	0,016	0,334	1,273	71,582	20,237	23,009	21,364	20,949	20,596	21,233	29,953	20,639	63,085
336,500	0,214	0,615	1,307	0,122	0,016	0,341	1,272	71,613	20,246	23,003	21,354	20,940	20,587	21,224	29,947	20,633	63,104
336,833	0,215	0,614	1,317	0,121	0,017	0,341	1,272	71,612	20,233	23,008	21,357	20,953	20,590	21,235	29,944	20,635	63,119
337,167	0,215	0,616	1,328	0,120	0,015	0,340	1,273	71,629	20,232	22,944	21,363	20,966	20,603	21,245	29,961	20,646	63,126
337,500	0,216	0,608	1,319	0,121	0,018	0,347	1,273	71,635	20,226	22,963	21,359	20,950	20,602	21,234	29,953	20,641	63,139
337,833	0,216	0,604	1,316	0,120	0,008	0,350	1,272	71,640	20,267	22,985	21,363	20,952	20,602	21,239	29,956	20,645	63,168
338,167	0,216	0,599	1,313	0,121	0,015	0,355	1,272	71,621	20,236	22,977	21,362	20,946	20,598	21,236	29,956	20,636	63,163
338,500	0,215	0,594	1,313	0,121	0,017	0,359	1,272	71,590	20,254	22,979	21,363	20,947	20,596	21,241	29,945	20,639	63,172
338,833	0,215	0,594	1,302	0,120	0,014	0,359	1,272	71,573	20,247	22,973	21,353	20,953	20,586	21,244	29,923	20,639	63,080
339,167	0,216	0,599	1,314	0,122	0,014	0,354	1,272	71,599	20,251	22,972	21,370	20,963	20,607	21,247	29,924	20,647	63,107
339,500	0,216	0,604	1,305	0,123	0,009	0,350	1,272	71,598	20,274	22,949	21,349	20,955	20,595	21,229	29,917	20,637	63,119
339,833	0,216	0,606	1,309	0,120	0,018	0,349	1,270	71,626	20,292	22,955	21,353	20,953	20,591	21,244	29,922	20,643	63,103
340,167	0,217	0,614	1,323	0,122	0,018	0,341	1,272	71,624	20,291	22,950	21,353	20,958	20,591	21,245	29,930	20,643	63,111
340,500	0,218	0,621	1,318	0,122	0,012	0,336	1,270	71,630	20,293	23,023	21,369	20,955	20,612	21,259	29,914	20,652	63,090
340,834	0,217	0,619	1,322	0,121	0,014	0,338	1,272	71,631	20,288	23,008	21,376	20,975	20,599	21,253	29,921	20,651	63,074
341,167	0,217	0,611	1,325	0,122	0,010	0,345	1,269	71,649	20,292	22,994	21,376	20,961	20,602	21,251	29,915	20,647	62,626
341,500	0,217	0,614	1,321	0,122	0,014	0,340	1,270	71,653	20,277	22,949	21,361	20,957	20,598	21,245	29,907	20,643	62,693
341,834	0,217	0,625	1,311	0,122	0,015	0,332	1,270	71,629	20,293	22,966	21,355	20,959	20,593	21,255	29,913	20,642	62,707
342,167	0,219	0,627	1,311	0,121	0,010	0,330	1,270	71,649	20,311	23,015	21,379	20,976	20,615	21,259	29,923	20,656	62,851
342,500	0,219	0,627	1,304	0,121	0,016	0,330	1,269	71,662	20,288	23,000	21,385	20,960	20,604	21,254	29,930	20,649	62,819
342,833	0,219	0,629	1,315	0,122	0,008	0,328	1,268	71,653	20,290	23,014	21,372	20,953	20,603	21,261	29,933	20,648	62,814
343,167	0,219	0,627	1,317	0,120	0,015	0,330	1,269	71,668	20,268	22,986	21,368	20,963	20,603	21,266	29,916	20,653	62,824
343,500	0,220	0,625	1,322	0,121	0,017	0,332	1,268	71,687	20,271	22,978	21,375	20,968	20,609	21,262	29,930	20,658	62,843
343,833	0,220	0,624	1,321	0,121	0,014	0,333	1,268	71,703	20,273	22,941	21,363	20,943	20,600	21,249	29,915	20,652	62,851
344,167	0,219	0,623	1,307	0,125	0,012	0,334	1,268	71,686	20,284	22,894	21,355	20,942	20,594	21,252	29,906	20,645	62,867

Pellematic 56_cat II_run 2_191212.Dat

Category: II

	1103	1108	1109	130	230	101	102	1	2	3	6	7	8	11	
Mättid	T3 inlet load side	T2 inlet boiler	T1 outlet boiler	Flow load side	Flow boiler side	Heat output load side	Heat output boiler	CO chimney	CO2 chimney	O2 chimney	Pstat	Pdyn	Tunnel velocity	Våg	Tidpunkt
Minuter	°C	°C	°C	m³/h	m³/h	W	W	ppm	%	%	Pa	Pa	m/s	kg	Klockan
332,167	43,962	51,770	71,096	0,500	0,503	10913,516	11159,846	52,389	10,501	10,047	4,773	51,739	9,286	954,660	2019-12-12 15:05
332,500	43,943	51,773	71,073	0,500	0,502	10924,811	11125,237	49,529	10,531	10,112	4,809	52,723	9,374	954,753	2019-12-12 15:06
332,833	43,930	51,764	71,088	0,500	0,502	10933,207	11133,958	44,670	10,661	9,928	4,820	52,600	9,363	954,754	2019-12-12 15:06
333,167	43,911	51,748	71,115	0,500	0,503	10949,107	11173,442	40,224	10,539	10,019	4,829	52,443	9,349	954,754	2019-12-12 15:06
333,500	43,902	51,742	71,085	0,500	0,502	10952,655	11137,154	42,117	10,547	10,050	4,767	53,035	9,402	954,660	2019-12-12 15:07
333,834	43,894	51,728	71,123	0,500	0,501	10951,567	11160,029	42,231	10,600	9,982	4,822	53,064	9,404	954,659	2019-12-12 15:07
334,167	43,893	51,711	71,143	0,500	0,504	11034,823	11229,254	42,312	10,621	9,949	4,800	52,817	9,382	954,659	2019-12-12 15:07
334,500	43,898	51,703	71,132	0,500	0,503	11027,866	11208,429	42,990	10,526	10,032	4,802	53,928	9,481	954,660	2019-12-12 15:08
334,834	43,910	51,676	71,143	0,501	0,502	11020,930	11205,567	42,933	10,568	10,029	4,773	53,057	9,404	954,659	2019-12-12 15:08
335,167	43,935	51,650	71,152	0,501	0,501	11001,221	11219,417	47,765	10,596	9,972	4,764	53,186	9,415	954,660	2019-12-12 15:08
335,500	43,970	51,644	71,190	0,500	0,501	10981,816	11246,231	44,691	10,637	9,940	4,870	52,844	9,385	954,566	2019-12-12 15:09
335,833	44,008	51,652	71,199	0,500	0,502	10955,573	11258,534	42,144	10,580	9,978	4,880	52,582	9,361	954,660	2019-12-12 15:09
336,167	44,048	51,674	71,236	0,500	0,503	10956,315	11285,246	41,642	10,565	10,021	4,868	52,865	9,387	954,566	2019-12-12 15:09
336,500	44,088	51,703	71,220	0,500	0,502	10944,929	11234,637	37,945	10,343	10,225	4,880	52,091	9,318	954,473	2019-12-12 15:10
336,833	44,119	51,732	71,212	0,501	0,502	10942,779	11213,615	41,841	10,412	10,232	4,850	52,897	9,389	954,566	2019-12-12 15:10
337,167	44,146	51,754	71,238	0,501	0,501	10931,933	11205,079	41,546	10,377	10,210	4,817	53,245	9,420	954,566	2019-12-12 15:10
337,500	44,164	51,769	71,230	0,501	0,502	10938,003	11219,597	42,056	10,139	10,422	4,826	52,833	9,384	954,566	2019-12-12 15:11
337,833	44,182	51,803	71,227	0,501	0,502	10940,714	11183,741	42,693	10,096	10,512	4,811	52,850	9,385	954,565	2019-12-12 15:11
338,167	44,194	51,819	71,263	0,500	0,502	10922,054	11192,497	43,736	9,939	10,643	4,855	52,365	9,342	954,473	2019-12-12 15:11
338,500	44,201	51,829	71,255	0,500	0,502	10919,900	11180,026	41,142	9,834	10,775	4,827	52,570	9,360	954,473	2019-12-12 15:12
338,833	44,204	51,848	71,256	0,500	0,503	10865,209	11196,238	41,304	9,876	10,781	4,814	52,046	9,314	954,474	2019-12-12 15:12
339,167	44,200	51,889	71,268	0,500	0,503	10880,552	11177,022	44,434	10,024	10,634	4,872	52,881	9,388	954,473	2019-12-12 15:12
339,500	44,181	51,938	71,246	0,501	0,503	10906,952	11144,807	42,310	10,152	10,496	4,908	52,077	9,316	954,473	2019-12-12 15:13
339,833	44,150	51,951	71,234	0,500	0,503	10913,688	11136,448	42,397	10,161	10,470	4,794	52,280	9,335	954,348	2019-12-12 15:13
340,167	44,105	51,950	71,236	0,500	0,502	10941,527	11105,702	45,836	10,406	10,245	4,861	53,264	9,422	954,473	2019-12-12 15:13
340,500	44,061	51,942	71,234	0,500	0,502	10951,390	11105,416	46,594	10,561	10,071	4,860	52,439	9,349	954,349	2019-12-12 15:14
340,834	44,014	51,912	71,255	0,501	0,502	10980,600	11133,416	45,340	10,408	10,129	4,858	53,301	9,425	954,474	2019-12-12 15:14
341,167	43,980	51,876	71,243	0,500	0,501	10724,588	11144,314	44,584	10,232	10,339	4,894	52,676	9,370	954,348	2019-12-12 15:14
341,500	43,947	51,901	71,254	0,500	0,502	10793,823	11141,046	46,602	10,442	10,205	4,884	52,649	9,367	954,347	2019-12-12 15:15
341,834	43,931	51,987	71,256	0,501	0,501	10817,838	11073,957	46,670	10,628	9,970	4,884	52,417	9,347	954,348	2019-12-12 15:15
342,167	43,933	52,021	71,245	0,500	0,501	10882,205	11046,003	50,453	10,700	9,887	4,842	52,698	9,372	954,348	2019-12-12 15:15
342,500	43,944	52,004	71,238	0,501	0,502	10874,968	11067,900	51,288	10,691	9,887	4,858	52,150	9,323	954,255	2019-12-12 15:16
342,833	43,969	51,978	71,263	0,500	0,501	10846,537	11093,258	50,795	10,726	9,854	4,895	52,584	9,362	954,254	2019-12-12 15:16
343,167	44,003	51,976	71,238	0,500	0,502	10828,291	11091,771	51,716	10,647	9,909	4,807	52,967	9,396	954,348	2019-12-12 15:16
343,500	44,042	51,980	71,308	0,501	0,501	10830,125	11114,270	53,228	10,619	9,946	4,835	52,713	9,373	954,254	2019-12-12 15:17
343,833	44,079	51,994	71,278	0,500	0,501	10803,076	11088,266	51,714	10,602	9,994	4,840	52,750	9,376	954,255	2019-12-12 15:17
344,167	44,106	52,017	71,249	0,500	0,501	10797,906	11061,920	49,779	10,542	10,021	4,982	51,993	9,309	954,254	2019-12-12 15:17

Pellematic 56_cat II_run 2_191212.Dat

Category: II

	301	302	304	305	306	308	317	1311	1312	1313	1314	1315	1316	1317	1318	1101	1102
Mättid	CO chimney	CO2 chimney	Pdyn	Pstat	Static pressure chimney	O2 chimney	Våg	Flue gas temp	Ambient	Flue gas at pitot	filter temp 1	filter temp 2	gas meter temp 1	gas meter temp 2	gasmeter temp ambient		T4 outlet load side
Minuter	VDC	VDC	VDC	VDC	VDC	VDC	VDC	°C	°C	°C	°C	°C	°C	°C	°C	°C	°C
344,500	0,219	0,623	1,305	0,122	0,017	0,333	1,268	71,703	20,314	22,965	21,364	20,970	20,599	21,271	29,919	20,661	63,298
344,833	0,220	0,628	1,317	0,122	0,019	0,328	1,267	71,697	20,320	22,989	21,352	20,952	20,595	21,253	29,911	20,647	63,215
345,167	0,219	0,624	1,305	0,122	0,014	0,332	1,267	71,722	20,358	22,918	21,354	20,961	20,606	21,251	29,919	20,649	63,190
345,500	0,219	0,621	1,297	0,122	0,016	0,335	1,266	71,732	20,343	22,854	21,354	20,952	20,586	21,248	29,909	20,647	63,200
345,833	0,218	0,618	1,298	0,122	0,014	0,338	1,266	71,720	20,320	22,916	21,362	20,958	20,596	21,256	29,917	20,650	63,190
346,167	0,217	0,616	1,295	0,123	0,016	0,339	1,267	71,718	20,250	22,959	21,342	20,942	20,593	21,262	29,906	20,645	63,192
346,500	0,217	0,610	1,309	0,123	0,012	0,345	1,267	71,727	20,285	22,940	21,341	20,946	20,603	21,249	29,903	20,650	63,196
346,834	0,219	0,619	1,313	0,123	0,018	0,336	1,265	71,742	20,286	22,924	21,348	20,933	20,592	21,250	29,887	20,644	63,106
347,167	0,220	0,625	1,309	0,121	0,021	0,331	1,266	71,719	20,301	22,927	21,335	20,937	20,604	21,251	29,896	20,651	63,129
347,500	0,220	0,623	1,314	0,122	0,014	0,334	1,267	71,731	20,300	22,837	21,323	20,935	20,609	21,256	29,884	20,652	63,144
347,834	0,219	0,624	1,304	0,123	0,018	0,332	1,265	71,712	20,290	22,872	21,324	20,928	20,589	21,243	29,881	20,645	63,148
348,167	0,218	0,624	1,300	0,122	0,019	0,333	1,265	71,704	20,256	22,895	21,329	20,946	20,598	21,253	29,877	20,650	62,712
348,500	0,218	0,622	1,299	0,123	0,020	0,335	1,265	71,689	20,189	22,940	21,333	20,928	20,597	21,250	29,880	20,651	62,792
348,834	0,218	0,621	1,312	0,122	0,014	0,335	1,264	71,684	20,238	22,922	21,322	20,937	20,600	21,256	29,883	20,651	62,835
349,167	0,220	0,624	1,302	0,122	0,015	0,332	1,264	71,697	20,275	22,918	21,320	20,916	20,600	21,256	29,878	20,652	62,849
349,500	0,220	0,625	1,300	0,123	0,007	0,331	1,264	71,691	20,279	22,824	21,305	20,917	20,612	21,256	29,887	20,655	62,849
349,833	0,220	0,626	1,313	0,123	0,016	0,331	1,264	71,701	20,228	22,837	21,301	20,923	20,596	21,252	29,897	20,655	62,931
350,167	0,219	0,625	1,318	0,122	0,009	0,332	1,263	71,722	20,190	22,865	21,293	20,909	20,598	21,254	29,897	20,654	62,986
350,500	0,218	0,622	1,306	0,123	0,010	0,333	1,263	71,701	20,256	22,836	21,284	20,909	20,599	21,251	29,904	20,657	62,957
350,833	0,218	0,619	1,317	0,123	0,008	0,337	1,262	71,710	20,264	22,830	21,281	20,903	20,598	21,260	29,903	20,656	62,957
351,167	0,218	0,613	1,308	0,122	0,017	0,341	1,263	71,723	20,287	22,840	21,288	20,899	20,600	21,266	29,904	20,658	62,964
351,500	0,218	0,619	1,300	0,122	0,012	0,336	1,263	71,684	20,304	22,816	21,289	20,907	20,599	21,267	29,879	20,657	62,974
351,833	0,220	0,631	1,317	0,122	0,019	0,326	1,263	71,707	20,265	22,882	21,290	20,901	20,596	21,265	29,871	20,655	62,975
352,167	0,221	0,630	1,315	0,121	0,015	0,328	1,262	71,735	20,275	22,863	21,282	20,898	20,591	21,256	29,862	20,654	62,992
352,500	0,219	0,627	1,308	0,120	0,014	0,330	1,262	71,740	20,283	22,821	21,279	20,885	20,590	21,257	29,868	20,658	62,984
352,833	0,220	0,621	1,309	0,121	0,022	0,335	1,262	71,775	20,306	22,832	21,274	20,884	20,600	21,274	29,889	20,664	62,988
353,167	0,220	0,619	1,302	0,122	0,009	0,337	1,262	71,774	20,289	22,853	21,263	20,876	20,596	21,264	29,868	20,661	62,977
353,500	0,219	0,623	1,307	0,124	0,018	0,334	1,261	71,760	20,260	22,843	21,261	20,875	20,600	21,262	29,866	20,661	62,976
353,834	0,219	0,624	1,306	0,123	0,017	0,333	1,261	71,762	20,301	22,871	21,265	20,884	20,599	21,265	29,874	20,666	62,979
354,167	0,217	0,618	1,314	0,123	0,010	0,338	1,261	71,782	20,302	22,876	21,254	20,877	20,585	21,265	29,874	20,659	62,969
354,500	0,218	0,625	1,314	0,122	0,017	0,332	1,260	71,790	20,293	22,872	21,259	20,874	20,586	21,266	29,871	20,657	62,965
354,834	0,218	0,627	1,311	0,123	0,017	0,331	1,260	71,822	20,240	22,856	21,261	20,874	20,591	21,264	29,861	20,660	62,963
355,167	0,219	0,621	1,329	0,121	0,013	0,336	1,259	71,811	20,236	22,864	21,264	20,870	20,590	21,265	29,866	20,660	62,959
355,500	0,219	0,624	1,324	0,121	0,019	0,332	1,260	71,801	20,249	22,884	21,250	20,877	20,591	21,262	29,849	20,659	62,973
355,834	0,222	0,625	1,319	0,120	0,016	0,332	1,259	71,812	20,262	22,911	21,273	20,870	20,590	21,270	29,864	20,664	62,987
356,167	0,223	0,619	1,316	0,120	0,017	0,337	1,259	71,856	20,286	22,967	21,281	20,893	20,604	21,280	29,894	20,675	63,004
356,500	0,221	0,617	1,312	0,120	0,021	0,338	1,259	71,895	20,285	23,041	21,293	20,911	20,610	21,266	29,911	20,680	63,027

Pellematic 56_cat II_run 2_191212.Dat

Category: II

	1103	1108	1109	130	230	101	102	1	2	3	6	7	8	11	
Mättid	T3 inlet load side	T2 inlet boiler	T1 outlet boiler	Flow load side	Flow boiler side	Heat output load side	Heat output boiler	CO chimney	CO2 chimney	O2 chimney	Pstat	Pdyn	Tunnel velocity	Våg	Tidpunkt
Minuter	°C	°C	°C	m³/h	m³/h	W	W	ppm	%	%	Pa	Pa	m/s	kg	Klockan
344,500	44,127	52,051	71,266	0,500	0,502	11040,066	11063,974	49,864	10,648	9,997	4,895	52,311	9,337	954,255	2019-12-12 15:18
344,833	44,146	52,012	71,319	0,501	0,502	10991,738	11113,197	52,377	10,707	9,853	4,872	52,556	9,359	954,160	2019-12-12 15:18
345,167	44,158	51,919	71,301	0,500	0,502	10958,123	11153,462	50,618	10,572	9,972	4,881	52,159	9,324	954,160	2019-12-12 15:18
345,500	44,152	51,878	71,299	0,500	0,501	10953,974	11171,085	50,200	10,509	10,051	4,879	52,060	9,315	954,160	2019-12-12 15:19
345,833	44,145	51,870	71,328	0,500	0,502	10950,673	11198,894	47,929	10,475	10,127	4,889	51,775	9,289	954,066	2019-12-12 15:19
346,167	44,127	51,863	71,359	0,501	0,501	10980,057	11213,000	45,084	10,355	10,184	4,909	51,900	9,301	954,160	2019-12-12 15:19
346,500	44,115	51,858	71,339	0,500	0,502	10986,546	11212,442	46,677	10,250	10,345	4,924	52,176	9,325	954,160	2019-12-12 15:20
346,834	44,099	51,857	71,361	0,500	0,502	10933,485	11230,771	53,056	10,568	10,094	4,912	52,610	9,364	954,066	2019-12-12 15:20
347,167	44,090	51,882	71,385	0,500	0,502	10961,520	11227,041	53,222	10,602	9,943	4,854	52,289	9,335	954,066	2019-12-12 15:20
347,500	44,083	51,899	71,352	0,501	0,502	10977,374	11196,063	51,880	10,564	10,012	4,871	52,881	9,388	954,160	2019-12-12 15:21
347,834	44,074	51,903	71,341	0,500	0,501	10967,136	11183,992	52,941	10,602	9,969	4,918	51,996	9,309	954,066	2019-12-12 15:21
348,167	44,071	51,904	71,394	0,500	0,502	10725,807	11216,174	48,345	10,593	9,985	4,893	51,956	9,306	954,066	2019-12-12 15:21
348,500	44,069	51,972	71,366	0,500	0,502	10769,134	11163,933	48,354	10,531	10,046	4,910	52,192	9,327	954,009	2019-12-12 15:22
348,834	44,074	52,084	71,401	0,500	0,502	10789,019	11126,870	47,903	10,562	10,059	4,874	52,757	9,377	953,974	2019-12-12 15:22
349,167	44,078	52,146	71,367	0,501	0,502	10809,802	11063,208	53,055	10,608	9,963	4,886	51,688	9,281	953,974	2019-12-12 15:22
349,500	44,091	52,169	71,372	0,501	0,502	10803,248	11050,060	53,306	10,658	9,943	4,910	51,955	9,305	954,066	2019-12-12 15:23
349,833	44,099	52,185	71,381	0,500	0,502	10827,194	11051,913	52,297	10,639	9,923	4,915	52,526	9,356	953,974	2019-12-12 15:23
350,167	44,103	52,195	71,431	0,500	0,502	10861,356	11074,128	49,357	10,623	9,951	4,896	52,589	9,362	953,848	2019-12-12 15:23
350,500	44,113	52,173	71,389	0,500	0,501	10845,158	11056,593	48,277	10,539	9,997	4,900	52,448	9,350	953,848	2019-12-12 15:24
350,833	44,120	52,154	71,401	0,500	0,501	10835,562	11064,138	46,424	10,416	10,110	4,912	52,825	9,383	953,848	2019-12-12 15:24
351,167	44,120	52,150	71,417	0,500	0,501	10833,808	11076,646	49,989	10,318	10,236	4,884	51,902	9,301	953,848	2019-12-12 15:24
351,500	44,118	52,149	71,437	0,500	0,500	10848,311	11074,044	48,103	10,586	10,068	4,886	52,067	9,315	953,974	2019-12-12 15:25
351,833	44,113	52,149	71,437	0,500	0,501	10851,112	11095,389	53,455	10,814	9,774	4,874	52,742	9,376	953,848	2019-12-12 15:25
352,167	44,106	52,148	71,423	0,500	0,500	10859,170	11063,115	54,062	10,733	9,830	4,821	52,613	9,364	953,847	2019-12-12 15:25
352,500	44,092	52,142	71,431	0,500	0,501	10876,243	11089,301	50,884	10,642	9,914	4,820	52,166	9,324	953,848	2019-12-12 15:26
352,833	44,063	52,136	71,421	0,500	0,500	10889,230	11066,831	53,376	10,520	10,056	4,830	52,314	9,338	953,848	2019-12-12 15:26
353,167	44,028	52,122	71,464	0,500	0,501	10892,596	11114,849	52,717	10,495	10,108	4,890	52,239	9,331	953,848	2019-12-12 15:26
353,500	43,989	52,118	71,499	0,500	0,501	10917,977	11149,223	49,865	10,572	10,005	4,971	52,347	9,341	953,848	2019-12-12 15:27
353,834	43,959	52,107	71,467	0,500	0,500	10940,221	11106,024	50,933	10,586	9,989	4,920	52,044	9,313	953,754	2019-12-12 15:27
354,167	43,932	52,090	71,475	0,500	0,501	10953,785	11145,751	45,152	10,452	10,130	4,920	52,609	9,364	953,754	2019-12-12 15:27
354,500	43,912	52,066	71,488	0,500	0,501	10962,251	11174,307	48,186	10,684	9,951	4,863	52,500	9,354	953,754	2019-12-12 15:28
354,834	43,906	52,051	71,520	0,500	0,501	10969,286	11197,816	48,787	10,639	9,923	4,922	52,540	9,358	953,754	2019-12-12 15:28
355,167	43,914	52,043	71,532	0,500	0,500	10967,450	11185,026	50,792	10,503	10,069	4,830	53,353	9,430	953,661	2019-12-12 15:28
355,500	43,930	52,021	71,530	0,501	0,501	10967,948	11214,041	52,545	10,646	9,958	4,822	52,859	9,386	953,754	2019-12-12 15:29
355,834	43,958	52,027	71,537	0,500	0,501	10957,524	11216,018	60,022	10,612	9,960	4,805	52,630	9,366	953,661	2019-12-12 15:29
356,167	43,995	52,039	71,568	0,500	0,501	10945,695	11221,041	60,632	10,423	10,118	4,795	52,584	9,362	953,754	2019-12-12 15:29
356,500	44,026	52,062	71,588	0,500	0,501	10934,776	11230,124	54,987	10,478	10,155	4,814	52,197	9,327	953,660	2019-12-12 15:30

Pellematic 56_cat II_run 2_191212.Dat

Category: II

	301	302	304	305	306	308	317	1311	1312	1313	1314	1315	1316	1317	1318	1101	1102
	CO	CO2			Static	O2		Flue gas		Flue gas at	filter temp	filter	gas meter	gas	gasmeter		T4 outlet
Mättid	chimney	chimney	Pdyn	Pstat	pressure	chimney	Våg	temp	Ambient	pitot	1	temp 2	temp 1	meter	temp	temp	load side
Minuter	VDC	VDC	VDC	VDC	VDC	VDC	VDC	°C	°C	°C	°C	°C	°C	°C	°C	°C	°C
356,833	0,221	0,621	1,301	0,119	0,021	0,334	1,259	71,864	20,289	23,084	21,297	20,904	20,601	21,263	29,914	20,667	63,052
357,167	0,220	0,626	1,297	0,121	0,023	0,332	1,259	71,856	20,259	23,043	21,301	20,893	20,596	21,264	29,922	20,667	63,055
357,500	0,220	0,623	1,286	0,121	0,021	0,333	1,259	71,862	20,199	22,958	21,293	20,900	20,592	21,257	29,931	20,667	63,063
357,833	0,222	0,636	1,299	0,120	0,019	0,323	1,257	71,891	20,213	22,912	21,296	20,909	20,614	21,273	29,944	20,677	63,078
358,167	0,221	0,636	1,314	0,121	0,022	0,324	1,257	71,898	20,085	22,940	21,274	20,882	20,593	21,263	29,925	20,665	63,074
358,500	0,219	0,630	1,328	0,120	0,019	0,328	1,257	71,912	20,158	22,952	21,270	20,875	20,587	21,276	29,928	20,664	63,062
358,833	0,220	0,631	1,333	0,121	0,009	0,327	1,257	71,956	20,192	22,984	21,276	20,904	20,597	21,269	29,937	20,672	63,065
359,167	0,218	0,634	1,333	0,120	0,014	0,324	1,257	71,967	20,160	22,938	21,283	20,901	20,592	21,267	29,942	20,672	63,070
359,500	0,218	0,633	1,309	0,122	0,009	0,325	1,256	71,939	20,189	22,871	21,281	20,903	20,593	21,273	29,964	20,673	63,074
359,833	0,218	0,634	1,310	0,121	0,013	0,324	1,256	71,934	20,194	22,868	21,281	20,884	20,600	21,269	29,981	20,670	63,082
360,167	0,220	0,640	1,326	0,120	0,016	0,319	1,256	71,969	20,202	22,887	21,282	20,893	20,603	21,263	29,975	20,667	63,078
360,500	0,220	0,635	1,308	0,119	0,017	0,324	1,255	71,988	20,167	22,864	21,156	20,823	20,615	21,256	29,830	20,673	63,082
360,834	0,221	0,637	1,326	0,120	0,017	0,321	1,256	71,999	20,183	22,844	21,018	20,764	20,630	21,264	29,692	20,677	63,092
361,167	0,222	0,641	1,321	0,120	0,020	0,318	1,255	72,007	20,209	22,835	21,010	20,748	20,647	21,259	29,679	20,677	63,093
361,500	0,219	0,635	1,331	0,121	0,013	0,324	1,256	72,011	20,182	22,781	21,000	20,728	20,644	21,260	29,670	20,673	63,094
361,834	0,218	0,627	1,324	0,122	0,020	0,330	1,256	71,995	20,214	22,710	21,005	20,730	20,662	21,263	29,674	20,677	63,104

Pellematic 56_cat II_run 2_191212.Dat

Category: II

	1103	1108	1109	130	230	101	102	1	2	3	6	7	8	11	
Mättid	T3 inlet load side	T2 inlet boiler	T1 outlet boiler	Flow load side	Flow boiler side	Heat output load side	Heat output boiler	CO chimney	CO2 chimney	O2 chimney	Pstat	Pdyn	Tunnel velocity	Våg	Tidpunkt
Minuter	°C	°C	°C	m ³ /h	m ³ /h	W	W	ppm	%	%	Pa	Pa	m/s	kg	Klockan
356,833	44,054	52,090	71,564	0,500	0,502	10928,337	11211,133	54,643	10,582	10,034	4,775	52,296	9,336	953,660	2019-12-12 15:30
357,167	44,072	52,116	71,581	0,500	0,501	10930,584	11197,327	52,043	10,607	9,959	4,835	51,413	9,257	953,660	2019-12-12 15:30
357,500	44,082	52,139	71,586	0,500	0,501	10915,769	11186,364	53,448	10,636	9,991	4,833	51,617	9,275	953,660	2019-12-12 15:31
357,833	44,088	52,149	71,609	0,500	0,501	10928,371	11180,283	57,919	10,972	9,675	4,796	52,088	9,317	953,567	2019-12-12 15:31
358,167	44,086	52,157	71,588	0,500	0,501	10929,672	11180,552	53,637	10,838	9,708	4,855	52,549	9,359	953,567	2019-12-12 15:31
358,500	44,075	52,167	71,598	0,500	0,500	10931,517	11157,712	49,971	10,719	9,849	4,808	53,092	9,407	953,567	2019-12-12 15:32
358,833	44,061	52,170	71,624	0,500	0,500	10934,184	11158,744	52,724	10,817	9,804	4,853	53,544	9,447	953,567	2019-12-12 15:32
359,167	44,044	52,158	71,668	0,500	0,500	10956,338	11193,410	48,359	10,865	9,717	4,811	53,242	9,420	953,566	2019-12-12 15:32
359,500	44,026	52,155	71,646	0,500	0,500	10964,624	11192,160	48,624	10,823	9,754	4,869	52,346	9,340	953,474	2019-12-12 15:33
359,833	44,009	52,150	71,669	0,500	0,501	10975,200	11212,632	47,323	10,852	9,710	4,847	52,280	9,335	953,474	2019-12-12 15:33
360,167	43,995	52,150	71,655	0,500	0,501	10980,782	11201,082	54,572	10,988	9,579	4,789	53,273	9,423	953,474	2019-12-12 15:33
360,500	43,987	52,148	71,625	0,500	0,502	10977,733	11213,561	53,730	10,853	9,717	4,759	52,329	9,339	953,350	2019-12-12 15:34
360,834	43,976	52,156	71,666	0,500	0,501	11001,025	11208,315	57,342	10,967	9,631	4,788	53,194	9,416	953,474	2019-12-12 15:34
361,167	43,971	52,156	71,692	0,500	0,502	11000,341	11242,906	58,305	11,035	9,545	4,782	52,609	9,364	953,474	2019-12-12 15:34
361,500	43,968	52,148	71,678	0,500	0,502	11001,981	11239,419	47,854	10,806	9,726	4,845	53,357	9,430	953,474	2019-12-12 15:35
361,834	43,963	52,149	71,681	0,500	0,501	11016,828	11231,024	48,617	10,658	9,904	4,898	52,919	9,391	953,474	2019-12-12 15:35

Pellematic 56_test cat I_040321.DAT

Category: I

Konfiguratic C:\Datainsamling\Konfiguration\Före 2020-02-13\EPA pellematic_retest.KONF

Sparad: 2021-03-01 10:44

i klartext: 2021-03-01 10:44

	301	302	304	305	306	308	317	1311	1312	1313	1314	1315	1316	1317	1318	1101	1102
Mättid	CO chimney	CO2 chimney	Pdyn	Pstat	Static pressure chimney	O2 chimney	Våg	Flue gas temp	Ambient	Flue gas at pitot	filter temp 1	filter temp 2	gas meter temp 1	gas meter temp 2	gasmeter temp ambient		T4 outlet load side
Minuter	VDC	VDC	VDC	VDC	VDC	VDC	VDC	°C	°C	°C	°C	°C	°C	°C	°C	°C	°C
0,167	0,199	0,201	0,982	-0,021	0,038	0,694	0,772	33,158	19,123	22,788	25,278	25,347	19,051	19,020	19,125	18,980	37,734
0,500	0,199	0,201	0,981	-0,017	-0,011	0,694	0,772	33,324	19,136	22,823	23,142	21,590	19,052	19,013	19,134	18,977	37,725
1,036	0,199	0,201	0,972	0,003	-0,003	0,694	0,772	33,593	19,118	22,939	26,680	24,309	19,052	19,022	19,136	18,983	37,693
1,167	0,199	0,201	0,960	0,000	-0,004	0,694	0,772	33,645	19,130	22,931	20,666	22,686	19,055	19,026	19,133	18,983	37,689
1,525	0,199	0,201	0,973	-0,011	-0,022	0,694	0,772	33,776	19,120	22,932	22,664	23,720	19,055	19,019	19,130	18,981	37,682
1,879	0,199	0,201	0,975	-0,003	-0,013	0,694	0,772	33,952	19,139	23,031	24,141	22,970	19,061	19,023	19,130	18,984	37,682
2,167	0,199	0,201	0,974	-0,015	0,001	0,695	0,772	34,044	19,197	23,044	22,564	22,153	19,062	19,017	19,149	18,986	37,687
2,562	0,199	0,201	0,976	-0,003	0,032	0,694	0,772	34,165	19,195	23,096	26,151	24,406	19,066	19,025	19,144	18,989	37,690
2,871	0,199	0,201	0,971	0,001	0,061	0,694	0,771	34,252	19,191	23,095	23,712	22,563	19,064	19,029	19,137	18,991	37,681
3,167	0,199	0,201	0,987	-0,017	-0,008	0,694	0,772	34,333	19,185	23,040	22,265	21,237	19,056	19,042	19,140	18,987	37,676
3,500	0,199	0,201	0,987	-0,015	-0,015	0,695	0,772	34,416	19,189	23,099	22,585	21,855	19,063	19,040	19,139	18,990	37,671
3,833	0,199	0,201	0,993	-0,019	0,072	0,694	0,772	34,503	19,173	23,099	23,422	21,768	19,061	19,027	19,134	18,990	37,656
4,167	0,199	0,201	0,976	-0,006	-0,024	0,694	0,772	34,575	19,103	23,126	25,620	20,413	19,063	19,021	19,138	18,988	37,650
4,500	0,199	0,201	0,988	0,033	0,029	0,694	0,773	34,664	19,056	23,201	107,699	196,334	19,080	19,029	19,143	18,993	37,650
4,833	0,199	0,201	0,982	0,004	-0,024	0,694	0,772	34,718	19,083	23,268	-1,459	75,362	19,069	19,029	19,138	18,994	37,642
5,167	0,199	0,201	0,975	-0,012	0,011	0,694	0,772	34,784	19,112	23,232	23,749	203,664	19,063	19,038	19,150	18,995	37,651
5,500	0,199	0,201	0,975	-0,010	0,007	0,694	0,772	34,852	19,120	23,233	17,717	222,990	19,077	19,039	19,157	18,999	37,639
5,833	0,199	0,201	0,966	-0,002	-0,014	0,694	0,772	34,884	19,114	23,279	12,844	196,279	19,078	19,037	19,151	19,005	37,635
6,167	0,199	0,201	0,982	0,001	0,006	0,695	0,772	34,944	19,123	23,313	4,383	165,162	19,078	19,029	19,155	19,003	37,631
6,500	0,199	0,201	0,976	-0,001	0,065	0,694	0,772	34,989	19,155	23,354	20,239	181,569	19,077	19,040	19,150	19,006	37,622
6,833	0,199	0,201	0,977	0,002	-0,018	0,694	0,772	35,042	19,169	23,264	25,731	179,008	19,078	19,036	19,163	19,009	37,606
7,167	0,199	0,201	0,981	-0,005	0,062	0,694	0,771	35,076	19,200	23,294	27,979	187,648	19,083	19,041	19,152	19,010	37,604
7,500	0,199	0,201	0,972	-0,006	0,005	0,694	0,772	35,115	19,193	23,299	21,412	188,423	19,076	19,042	19,151	19,008	37,608
7,833	0,199	0,201	0,976	-0,006	0,058	0,694	0,772	35,164	19,193	23,318	26,568	194,893	19,081	19,045	19,160	19,011	37,595
8,167	0,199	0,201	0,973	0,005	-0,008	0,694	0,772	35,200	19,201	23,333	21,655	191,307	19,083	19,038	19,160	19,014	37,601
8,500	0,199	0,201	0,981	0,003	0,063	0,694	0,772	35,225	19,206	23,334	24,418	192,849	19,087	19,053	19,155	19,016	37,594
8,833	0,199	0,201	0,980	-0,028	0,044	0,694	0,773	35,275	19,150	23,398	32,753	197,736	19,092	19,043	19,159	19,016	37,596
9,262	0,199	0,201	0,973	0,002	0,048	0,694	0,771	35,568	19,168	23,505	24,745	209,079	19,094	19,053	19,159	19,017	37,593
9,500	0,199	0,201	0,986	-0,012	-0,016	0,694	0,771	35,948	19,148	23,532	24,306	190,626	19,079	19,060	19,158	19,016	37,589
9,833	0,199	0,201	0,984	0,005	-0,017	0,696	0,770	36,540	19,159	23,643	22,068	206,876	19,087	19,047	19,166	19,017	37,573
10,167	0,199	0,201	0,993	-0,001	0,063	0,698	0,769	37,295	19,119	23,744	23,125	208,653	19,094	19,059	19,166	19,023	37,578
10,500	0,199	0,201	0,975	0,000	0,005	0,698	0,768	38,196	19,127	23,879	27,745	192,790	19,091	19,057	19,153	19,019	37,570
10,833	0,199	0,201	0,976	0,018	0,054	0,698	0,769	39,191	19,114	24,080	27,652	213,532	19,089	19,056	19,172	19,023	37,584

Pellematic 56_test cat I_040321.DAT

Category: I

	1103	1105	1106	130	230	101	102	1	2	3	6	7	8	11	
Mättid	T3 inlet load side	T2 inlet boiler	T1 outlet boiler	Flow load side	Flow boiler side	Heat output load side	Heat output boiler	CO chimney	CO2 chimney	O2 chimney	Pstat	Pdyn	Tunnel velocity	Våg	Tidpunkt
Minuter	°C	°C	°C	m³/h	m³/h	W	W	ppm	%	%	Pa	Pa	m/s	kg	Klockan
0,167	38,156	37,861	37,711	2,579	2,867	-1263,183	-491,437	-0,193	0,019	20,833	-0,420	39,052	8,068	23,256	2021-03-04 08:22
0,500	38,156	37,863	37,701	0,414	0,471	-206,055	-87,439	-0,369	0,019	20,831	-0,340	39,268	8,090	23,256	2021-03-04 08:23
1,036	38,158	37,862	37,697	0,415	0,471	-222,162	-89,737	-0,271	0,019	20,831	0,068	38,903	8,052	23,256	2021-03-04 08:23
1,167	38,155	37,861	37,708	0,414	0,471	-222,308	-82,777	-0,185	0,019	20,830	0,004	38,290	7,988	23,256	2021-03-04 08:23
1,525	38,157	37,857	37,705	0,414	0,471	-226,581	-82,761	-0,111	0,018	20,833	-0,223	38,923	8,054	23,256	2021-03-04 08:24
1,879	38,159	37,857	37,695	0,414	0,471	-227,340	-87,917	-0,284	0,019	20,832	-0,053	39,075	8,070	23,256	2021-03-04 08:24
2,167	38,158	37,859	37,689	0,415	0,471	-225,161	-92,199	-0,189	0,019	20,835	-0,295	39,246	8,088	23,256	2021-03-04 08:24
2,562	38,158	37,859	37,687	0,415	0,472	-223,372	-93,413	-0,192	0,019	20,833	-0,052	38,955	8,058	23,256	2021-03-04 08:25
2,871	38,158	37,859	37,687	0,415	0,471	-227,752	-93,670	-0,199	0,018	20,834	0,017	39,232	8,086	23,256	2021-03-04 08:25
3,167	38,156	37,850	37,675	0,414	0,471	-229,194	-94,750	-0,270	0,018	20,833	-0,330	39,568	8,121	23,255	2021-03-04 08:25
3,500	38,153	37,849	37,662	0,416	0,471	-230,546	-101,631	-0,263	0,018	20,835	-0,308	39,410	8,105	23,255	2021-03-04 08:26
3,833	38,153	37,851	37,658	0,416	0,471	-238,329	-104,835	-0,196	0,018	20,835	-0,373	39,606	8,125	23,256	2021-03-04 08:26
4,167	38,153	37,845	37,653	0,414	0,471	-240,030	-104,547	-0,275	0,018	20,833	-0,113	39,178	8,081	23,256	2021-03-04 08:26
4,500	38,151	37,846	37,657	0,414	0,471	-239,134	-102,693	-0,113	0,018	20,832	0,660	39,457	8,109	23,349	2021-03-04 08:27
4,833	38,148	37,848	37,655	0,414	0,471	-241,335	-104,529	-0,192	0,018	20,834	0,077	39,059	8,068	23,256	2021-03-04 08:27
5,167	38,144	37,841	37,636	0,414	0,471	-235,231	-111,083	-0,154	0,018	20,835	-0,249	38,697	8,031	23,256	2021-03-04 08:27
5,500	38,144	37,840	37,639	0,415	0,471	-241,319	-108,851	-0,034	0,019	20,832	-0,209	39,067	8,069	23,256	2021-03-04 08:28
5,833	38,145	37,836	37,625	0,414	0,471	-243,214	-114,644	-0,113	0,018	20,831	-0,045	38,768	8,038	23,256	2021-03-04 08:28
6,167	38,148	37,831	37,631	0,414	0,471	-246,620	-108,463	-0,270	0,018	20,835	0,028	39,035	8,066	23,256	2021-03-04 08:28
6,500	38,148	37,833	37,616	0,414	0,471	-250,824	-117,524	-0,371	0,018	20,833	-0,025	39,147	8,077	23,256	2021-03-04 08:29
6,833	38,148	37,831	37,627	0,416	0,471	-259,802	-110,348	-0,198	0,018	20,833	0,037	39,114	8,074	23,256	2021-03-04 08:29
7,167	38,150	37,827	37,624	0,415	0,471	-261,077	-110,039	-0,123	0,019	20,834	-0,099	39,116	8,074	23,171	2021-03-04 08:29
7,500	38,148	37,825	37,607	0,415	0,471	-258,227	-118,245	-0,288	0,019	20,835	-0,115	38,708	8,032	23,255	2021-03-04 08:30
7,833	38,148	37,823	37,607	0,415	0,471	-264,074	-117,198	-0,207	0,018	20,834	-0,120	39,002	8,062	23,255	2021-03-04 08:30
8,167	38,146	37,821	37,612	0,414	0,471	-259,988	-113,572	-0,199	0,018	20,832	0,097	38,863	8,048	23,255	2021-03-04 08:30
8,500	38,142	37,823	37,593	0,416	0,471	-262,880	-125,253	-0,110	0,018	20,833	0,064	39,243	8,087	23,256	2021-03-04 08:31
8,833	38,142	37,823	37,607	0,414	0,471	-260,349	-117,261	-0,195	0,018	20,832	-0,566	38,994	8,062	23,256	2021-03-04 08:31
9,262	38,146	37,820	37,595	0,414	0,471	-264,170	-121,951	-0,113	0,018	20,833	0,038	39,144	8,077	23,162	2021-03-04 08:31
9,500	38,142	37,818	37,598	0,414	0,470	-263,487	-119,222	-0,192	0,018	20,832	-0,233	39,521	8,116	23,162	2021-03-04 08:32
9,833	38,141	37,817	37,614	0,415	0,471	-271,890	-109,880	-0,117	0,019	20,888	0,106	39,363	8,100	23,068	2021-03-04 08:32
10,167	38,142	37,815	37,607	0,414	0,471	-268,937	-112,909	0,054	0,019	20,936	-0,016	39,860	8,151	23,068	2021-03-04 08:32
10,500	38,135	37,813	37,667	0,415	0,471	-269,926	-79,209	-0,111	0,019	20,937	-0,003	38,690	8,030	22,974	2021-03-04 08:33
10,833	38,138	37,819	37,778	0,414	0,471	-264,115	-21,937	-0,107	0,019	20,937	0,356	39,111	8,074	23,068	2021-03-04 08:33

Pellematic 56_test cat I_040321.DAT

Category: I

	301	302	304	305	306	308	317	1311	1312	1313	1314	1315	1316	1317	1318	1101	1102
Mättid	CO chimney	CO2 chimney	Pdyn	Pstat	Static pressure chimney	O2 chimney	Våg	Flue gas temp	Ambient	Flue gas at pitot	filter temp 1	filter temp 2	gas meter temp 1	gas meter temp 2	gasmeter temp ambient		T4 outlet load side
Minuter	VDC	VDC	VDC	VDC	VDC	VDC	VDC	°C	°C	°C	°C	°C	°C	°C	°C	°C	°C
11,167	0,199	0,201	0,979	0,034	0,003	0,698	0,768	40,247	19,157	24,158	23,378	188,932	19,091	19,058	19,160	19,022	37,631
11,500	0,199	0,201	0,972	0,038	0,043	0,698	0,768	40,858	19,166	24,001	21,197	213,148	19,086	19,053	19,176	19,022	37,726
11,834	0,199	0,201	0,969	0,061	-0,004	0,698	0,768	41,269	19,168	23,770	21,968	191,232	19,089	19,062	19,169	19,021	37,884
12,167	0,199	0,201	0,984	0,051	0,002	0,698	0,766	41,722	19,172	23,636	18,905	194,031	19,079	19,056	19,162	19,021	38,099
12,500	0,199	0,201	0,970	0,049	-0,028	0,698	0,766	42,279	19,165	23,739	24,805	191,891	19,101	19,061	19,169	19,026	38,252
12,834	0,199	0,201	0,977	0,060	-0,004	0,698	0,766	42,850	19,166	23,819	28,093	204,981	19,104	19,063	19,168	19,025	38,380
13,167	0,199	0,201	0,969	0,047	0,011	0,697	0,764	43,500	19,191	23,823	69,936	204,338	19,097	19,060	19,174	19,025	38,532
13,500	0,199	0,202	0,975	0,057	-0,008	0,695	0,764	44,160	19,163	23,900	28,165	195,876	19,109	19,061	19,167	19,026	38,691
13,834	0,199	0,201	0,971	0,073	0,004	0,621	0,764	44,844	19,170	23,975	30,412	198,826	19,104	19,071	19,174	19,030	38,846
14,167	0,814	0,702	0,967	0,071	-0,010	0,036	0,763	45,631	19,199	24,087	26,023	214,926	19,103	19,074	19,174	19,034	39,018
14,500	0,898	0,841	0,978	0,060	0,001	0,001	0,762	46,492	19,199	24,185	28,069	199,830	19,111	19,078	19,175	19,038	39,205
14,834	0,898	0,842	0,979	0,062	0,050	0,000	0,761	47,364	19,178	24,335	25,194	228,004	19,103	19,072	19,174	19,031	39,384
15,167	0,898	0,842	0,987	0,074	0,002	0,000	0,760	48,235	19,167	24,336	26,592	201,109	19,101	19,069	19,170	19,033	39,605
15,500	0,898	0,843	0,978	0,086	-0,020	0,000	0,760	49,076	19,168	24,514	24,480	213,206	19,101	19,077	19,184	19,039	39,823
15,833	0,898	0,843	0,970	0,083	0,002	0,000	0,760	49,901	19,170	24,734	29,064	190,728	19,109	19,079	19,171	19,036	40,060
16,167	0,897	0,843	0,972	0,084	-0,002	0,000	0,758	50,741	19,127	24,887	31,287	199,051	19,109	19,077	19,178	19,038	40,305
16,500	0,897	0,843	0,973	0,100	0,061	0,000	0,757	51,532	19,207	24,896	28,618	212,375	19,111	19,071	19,177	19,040	40,571
16,833	0,897	0,843	0,971	0,096	0,032	0,000	0,756	52,334	19,224	24,952	23,458	195,013	19,107	19,071	19,164	19,042	40,835
17,167	0,897	0,840	0,984	0,094	-0,024	0,000	0,756	53,122	19,240	24,919	26,135	194,074	19,102	19,075	19,174	19,040	41,123
17,500	0,897	0,837	0,980	0,100	0,005	0,000	0,755	53,916	19,247	24,967	31,502	211,543	19,119	19,086	19,190	19,046	41,427
17,833	0,897	0,837	0,964	0,093	0,066	0,008	0,754	54,695	19,246	25,182	24,077	188,960	19,113	19,073	19,183	19,043	41,722
18,167	0,481	0,544	0,981	0,108	0,001	0,604	0,753	55,430	19,249	25,288	24,227	208,734	19,107	19,076	19,180	19,044	42,059
18,500	0,201	0,206	0,977	0,109	0,029	0,693	0,752	56,271	19,207	25,307	-4984,700	243,231	19,116	19,091	19,200	19,052	42,398
18,833	0,199	0,202	0,974	0,112	0,003	0,696	0,796	57,061	19,132	25,534	32,036	195,340	19,113	19,085	19,185	19,051	42,753
19,167	0,199	0,202	0,982	0,121	0,048	0,697	0,750	58,004	19,189	25,718	32,017	200,851	19,118	19,091	19,186	19,050	43,088
19,500	0,199	0,202	0,976	0,120	0,025	0,697	0,748	58,778	19,214	25,790	23,683	212,988	19,119	19,088	19,192	19,052	43,461
19,834	0,199	0,201	0,974	0,100	0,033	0,697	0,748	59,500	19,215	25,924	28,726	196,598	19,114	19,087	19,193	19,054	43,846
20,167	0,199	0,201	0,979	0,088	0,061	0,697	0,740	60,825	19,217	26,621	32,831	189,815	19,119	19,097	19,195	19,058	44,208
20,500	0,199	0,201	0,977	0,116	0,038	0,697	0,733	62,694	19,191	27,403	28,486	245,947	19,123	19,095	19,195	19,057	44,620
20,834	0,199	0,201	0,978	0,138	0,026	0,697	0,731	63,222	19,221	26,468	18,624	186,088	19,120	19,102	19,187	19,065	45,029
21,167	0,199	0,201	0,982	0,136	-0,026	0,697	0,730	63,009	19,215	25,768	19,298	183,025	19,122	19,100	19,189	19,064	45,465
21,500	0,199	0,201	0,978	0,132	0,018	0,697	0,729	62,921	19,213	25,496	38,943	194,395	19,123	19,102	19,193	19,061	45,888
21,834	0,199	0,201	0,972	0,136	0,029	0,697	0,728	63,011	19,249	25,486	23,513	210,795	19,125	19,107	19,201	19,066	46,290
22,167	0,199	0,201	0,981	0,139	0,004	0,697	0,727	63,172	19,246	25,407	28,957	198,767	19,133	19,104	19,197	19,064	46,663
22,500	0,199	0,201	0,982	0,147	0,001	0,697	0,727	63,430	19,282	25,467	25,143	194,358	19,134	19,105	19,206	19,068	47,055
22,833	0,199	0,201	0,982	0,155	0,039	0,697	0,726	63,756	19,284	25,652	28,296	200,014	19,142	19,115	19,201	19,072	47,429

Pellematic 56_test cat I_040321.DAT

Category: I

	1103	1105	1106	130	230	101	102	1	2	3	6	7	8	11	
Mättid	T3 inlet load side	T2 inlet boiler	T1 outlet boiler	Flow load side	Flow boiler side	Heat output load side	Heat output boiler	CO chimney	CO2 chimney	O2 chimney	Pstat	Pdyn	Tunnel velocity	Våg	Tidpunkt
Minuter	°C	°C	°C	m ³ /h	m ³ /h	W	W	ppm	%	%	Pa	Pa	m/s	kg	Klockan
11,167	38,137	37,825	37,975	0,414	0,471	-241,363	81,277	0,314	0,022	20,936	0,678	39,165	8,079	22,974	2021-03-04 08:33
11,500	38,138	37,837	38,296	0,415	0,471	-196,886	249,144	0,243	0,020	20,939	0,765	38,787	8,040	22,974	2021-03-04 08:34
11,834	38,136	37,863	38,514	0,415	0,471	-120,344	353,588	0,225	0,021	20,936	1,213	38,714	8,033	22,974	2021-03-04 08:34
12,167	38,134	37,921	38,649	0,415	0,471	-16,595	395,279	-0,042	0,020	20,937	1,015	39,414	8,105	22,849	2021-03-04 08:34
12,500	38,132	37,994	38,860	0,414	0,471	57,040	470,260	0,054	0,021	20,937	0,979	38,972	8,059	22,849	2021-03-04 08:35
12,834	38,131	38,064	39,057	0,413	0,471	118,792	538,773	0,060	0,021	20,937	1,201	39,169	8,080	22,849	2021-03-04 08:35
13,167	38,130	38,120	39,239	0,414	0,472	191,872	608,191	0,144	0,021	20,922	0,946	38,601	8,021	22,756	2021-03-04 08:35
13,500	38,132	38,181	39,447	0,415	0,472	267,120	687,906	2,665	0,083	20,857	1,143	39,063	8,069	22,756	2021-03-04 08:36
13,834	38,131	38,244	39,693	0,414	0,471	341,248	787,169	0,208	0,023	18,641	1,457	38,756	8,037	22,755	2021-03-04 08:36
14,167	38,129	38,314	39,924	0,415	0,472	424,909	875,511	1735,085	15,806	1,071	1,419	38,907	8,053	22,662	2021-03-04 08:36
14,500	38,129	38,376	40,218	0,415	0,472	514,796	1001,572	1746,051	16,029	0,029	1,193	38,972	8,059	22,568	2021-03-04 08:37
14,834	38,129	38,451	40,491	0,414	0,472	599,655	1109,563	1745,989	16,047	0,006	1,235	39,006	8,063	22,568	2021-03-04 08:37
15,167	38,128	38,527	40,810	0,415	0,472	705,679	1242,193	1746,266	16,057	0,004	1,487	39,242	8,087	22,474	2021-03-04 08:37
15,500	38,121	38,613	41,090	0,414	0,472	813,058	1348,721	1746,009	16,064	-0,001	1,730	38,985	8,061	22,474	2021-03-04 08:38
15,833	38,124	38,704	41,424	0,415	0,472	925,152	1480,433	1742,908	16,066	-0,004	1,662	38,732	8,035	22,474	2021-03-04 08:38
16,167	38,127	38,804	41,786	0,415	0,473	1042,577	1625,150	1742,835	16,070	-0,006	1,689	38,963	8,058	22,350	2021-03-04 08:38
16,500	38,129	38,895	42,137	0,414	0,473	1165,319	1766,145	1742,979	16,073	-0,011	2,007	38,942	8,056	22,256	2021-03-04 08:39
16,833	38,132	39,007	42,529	0,415	0,473	1293,960	1918,947	1742,757	16,075	-0,007	1,920	39,056	8,068	22,256	2021-03-04 08:39
17,167	38,138	39,115	42,875	0,414	0,473	1423,600	2048,786	1742,926	15,927	-0,009	1,881	39,727	8,137	22,256	2021-03-04 08:39
17,500	38,144	39,233	43,329	0,414	0,473	1565,003	2233,595	1742,929	15,928	-0,004	1,994	38,760	8,037	22,162	2021-03-04 08:40
17,833	38,149	39,357	43,708	0,413	0,473	1701,835	2373,041	1741,922	15,920	0,244	1,863	38,572	8,018	22,069	2021-03-04 08:40
18,167	38,155	39,479	44,214	0,414	0,474	1862,087	2584,641	208,955	3,116	18,107	2,155	39,357	8,099	22,069	2021-03-04 08:40
18,500	38,168	39,619	44,606	0,415	0,474	2024,534	2723,450	3,017	0,107	20,800	2,174	39,217	8,085	21,975	2021-03-04 08:41
18,833	38,178	39,762	45,058	0,415	0,474	2186,518	2892,318	0,400	0,050	20,888	2,246	39,054	8,068	23,480	2021-03-04 08:41
19,167	38,192	39,907	45,558	0,416	0,474	2345,077	3088,083	0,401	0,043	20,896	2,420	39,452	8,109	21,850	2021-03-04 08:41
19,500	38,208	40,047	46,020	0,415	0,475	2511,409	3264,910	0,314	0,039	20,900	2,400	38,977	8,060	21,756	2021-03-04 08:42
19,834	38,222	40,199	46,507	0,414	0,475	2680,863	3448,344	0,396	0,036	20,905	1,998	38,820	8,044	21,975	2021-03-04 08:42
20,167	38,240	40,373	47,027	0,414	0,475	2848,531	3639,594	0,310	0,034	20,906	1,756	39,099	8,073	20,852	2021-03-04 08:42
20,500	38,262	40,538	47,542	0,415	0,475	3037,910	3832,936	0,060	0,033	20,906	2,330	39,019	8,064	20,759	2021-03-04 08:43
20,834	38,281	40,702	48,056	0,414	0,475	3222,639	4025,741	0,310	0,031	20,908	2,766	39,154	8,078	20,665	2021-03-04 08:43
21,167	38,302	40,882	48,568	0,416	0,476	3433,862	4213,006	0,226	0,030	20,908	2,723	39,211	8,084	20,571	2021-03-04 08:43
21,500	38,328	41,064	49,053	0,414	0,477	3610,901	4383,162	0,144	0,030	20,908	2,650	39,074	8,070	20,571	2021-03-04 08:44
21,834	38,355	41,256	49,552	0,416	0,477	3799,887	4551,992	0,139	0,031	20,908	2,721	38,671	8,028	20,477	2021-03-04 08:44
22,167	38,385	41,439	49,970	0,414	0,477	3953,456	4684,031	0,311	0,031	20,906	2,773	39,375	8,101	20,359	2021-03-04 08:44
22,500	38,421	41,616	50,394	0,415	0,477	4129,318	4817,533	0,312	0,031	20,906	2,941	39,226	8,086	20,571	2021-03-04 08:45
22,833	38,455	41,791	50,864	0,415	0,477	4293,068	4983,216	0,219	0,029	20,908	3,099	39,236	8,087	20,352	2021-03-04 08:45

Pellematic 56_test cat I_040321.DAT

Category: I

	301	302	304	305	306	308	317	1311	1312	1313	1314	1315	1316	1317	1318	1101	1102
Mättid	CO chimney	CO2 chimney	Pdyn	Pstat	Static pressure chimney	O2 chimney	Våg	Flue gas temp	Ambient	Flue gas at pitot	filter temp 1	filter temp 2	gas meter temp 1	gas meter temp 2	gasmeter temp ambient		T4 outlet load side
Minuter	VDC	VDC	VDC	VDC	VDC	VDC	VDC	°C	°C	°C	°C	°C	°C	°C	°C	°C	°C
23,167	0,199	0,201	0,978	0,146	0,071	0,697	0,725	64,115	19,290	25,630	29,566	205,053	19,136	19,111	19,205	19,072	47,767
23,500	0,199	0,201	0,974	0,143	0,006	0,697	0,724	64,509	19,293	25,571	18,871	225,812	19,142	19,123	19,215	19,080	48,126
23,833	0,199	0,201	0,979	0,135	0,060	0,697	0,723	64,837	19,296	25,716	22,837	198,174	19,144	19,113	19,203	19,078	48,437
24,167	0,199	0,201	0,979	0,154	-0,026	0,697	0,723	65,245	19,344	25,714	24,796	196,654	19,139	19,118	19,202	19,078	48,844
24,500	0,199	0,201	0,970	0,153	0,075	0,697	0,721	65,630	19,295	25,725	27,509	198,882	19,158	19,116	19,220	19,082	49,191
24,833	0,199	0,201	0,972	0,139	0,058	0,697	0,721	66,052	19,300	25,671	27,464	218,000	19,145	19,120	19,217	19,084	49,536
25,167	0,199	0,201	0,982	0,146	0,035	0,697	0,720	66,495	19,283	25,627	16,402	223,568	19,152	19,117	19,220	19,084	49,909
25,500	0,199	0,201	0,971	0,165	0,052	0,697	0,718	66,872	19,274	25,701	19,998	197,159	19,150	19,120	19,217	19,083	50,290
25,833	0,199	0,201	0,974	0,165	-0,039	0,697	0,718	67,272	19,263	25,741	23,789	195,730	19,157	19,123	19,218	19,086	50,701
26,167	0,199	0,201	0,967	0,161	0,103	0,697	0,717	67,717	19,260	25,864	30,576	203,058	19,157	19,111	19,211	19,087	51,131
26,500	0,199	0,201	0,969	0,161	0,031	0,697	0,716	68,221	19,266	25,927	27,245	201,501	19,145	19,126	19,217	19,086	51,524
26,833	0,199	0,201	0,979	0,171	0,023	0,697	0,715	68,707	19,233	25,951	22,891	196,490	19,144	19,118	19,218	19,089	51,914
27,167	0,199	0,201	0,970	0,151	-0,032	0,697	0,714	69,110	19,232	25,919	22,018	201,742	19,147	19,121	19,215	19,090	52,291
27,500	0,199	0,201	0,971	0,164	0,048	0,697	0,714	69,493	19,235	25,998	29,001	201,975	19,151	19,121	19,221	19,086	52,734
27,834	0,199	0,201	0,982	0,164	0,004	0,697	0,712	69,849	19,234	26,027	27,996	199,713	19,163	19,125	19,210	19,092	53,087
28,167	0,199	0,201	0,972	0,180	0,054	0,697	0,712	70,258	19,233	26,129	24,867	210,604	19,165	19,144	19,230	19,101	53,519
28,500	0,199	0,201	0,968	0,169	-0,025	0,697	0,709	70,644	19,245	26,255	25,774	198,288	19,161	19,127	19,227	19,098	53,919
28,834	0,199	0,201	0,973	0,170	0,013	0,697	0,708	71,040	19,238	26,199	23,622	191,674	19,167	19,131	19,225	19,099	54,237
29,167	0,199	0,201	0,963	0,177	0,075	0,697	0,708	71,451	19,212	26,279	26,896	192,444	19,162	19,135	19,222	19,099	54,639
29,500	0,199	0,201	0,967	0,184	0,029	0,697	0,708	71,797	19,209	26,263	29,665	195,463	19,154	19,135	19,228	19,100	55,041
29,834	0,199	0,201	0,974	0,174	-0,057	0,697	0,707	72,149	19,201	26,393	21,405	195,193	19,160	19,125	19,222	19,099	55,417
30,167	0,199	0,201	0,970	0,185	0,025	0,697	0,706	72,557	19,219	26,454	24,994	197,878	19,172	19,141	19,225	19,103	55,805
30,500	0,199	0,201	0,972	0,183	0,066	0,697	0,705	72,977	19,259	26,532	27,797	195,240	19,168	19,141	19,233	19,107	56,186
30,833	0,199	0,201	0,977	0,181	0,013	0,697	0,705	73,347	19,246	26,532	20,524	209,011	19,168	19,142	19,234	19,106	56,594
31,167	0,199	0,201	0,965	0,176	0,044	0,697	0,703	73,624	19,227	26,455	23,758	189,424	19,168	19,135	19,233	19,108	56,946
31,500	0,199	0,201	0,966	0,192	0,040	0,697	0,702	73,869	19,224	26,577	28,410	191,750	19,167	19,142	19,231	19,112	57,313
31,833	0,199	0,201	0,965	0,185	0,028	0,697	0,701	74,130	19,194	26,625	16,563	192,265	19,164	19,145	19,224	19,110	57,673
32,167	0,199	0,201	0,971	0,187	0,026	0,697	0,701	74,398	19,203	26,485	15,465	205,302	19,171	19,144	19,233	19,112	58,026
32,500	0,199	0,201	0,979	0,203	0,026	0,697	0,700	74,649	19,213	26,293	20,206	190,128	19,182	19,150	19,235	19,112	58,384
32,833	0,199	0,201	0,975	0,193	-0,001	0,697	0,700	74,872	19,283	26,192	19,926	191,389	19,185	19,164	19,253	19,123	58,714
33,167	0,199	0,201	0,978	0,194	-0,025	0,697	0,698	75,045	19,286	26,363	20,325	212,578	19,173	19,156	19,247	19,115	59,088
33,500	0,199	0,201	0,972	0,194	0,004	0,697	0,698	75,266	19,294	26,536	25,458	190,152	19,177	19,143	19,236	19,114	59,416
33,833	0,199	0,201	0,974	0,213	0,002	0,697	0,697	75,518	19,321	26,549	27,138	200,711	19,177	19,151	19,240	19,116	59,760
34,167	0,199	0,201	0,978	0,218	0,001	0,697	0,697	75,480	19,338	25,909	22,671	199,843	19,175	19,156	19,234	19,116	60,039
34,500	0,199	0,201	0,975	0,215	0,054	0,697	0,696	75,223	19,312	25,505	28,261	199,131	19,185	19,155	19,238	19,117	60,374
34,834	0,199	0,201	0,976	0,210	0,028	0,697	0,696	75,057	19,294	25,546	23,960	216,574	19,183	19,162	19,239	19,120	60,671

Pellematic 56_test cat I_040321.DAT

Category: I

	1103	1105	1106	130	230	101	102	1	2	3	6	7	8	11	
Mättid	T3 inlet load side	T2 inlet boiler	T1 outlet boiler	Flow load side	Flow boiler side	Heat output load side	Heat output boiler	CO chimney	CO2 chimney	O2 chimney	Pstat	Pdyn	Tunnel velocity	Våg	Tidpunkt
Minuter	°C	°C	°C	m ³ /h	m ³ /h	W	W	ppm	%	%	Pa	Pa	m/s	kg	Klockan
23,167	38,491	41,962	51,272	0,415	0,477	4434,539	5116,504	0,557	0,029	20,907	2,922	39,476	8,111	20,259	2021-03-04 08:45
23,500	38,535	42,129	51,629	0,414	0,477	4578,908	5221,217	0,299	0,027	20,910	2,854	38,775	8,039	20,259	2021-03-04 08:46
23,833	38,579	42,303	52,146	0,414	0,477	4704,917	5408,406	0,230	0,027	20,909	2,700	39,121	8,075	20,165	2021-03-04 08:46
24,167	38,624	42,453	52,594	0,416	0,478	4893,593	5573,833	0,140	0,028	20,909	3,075	39,014	8,064	20,165	2021-03-04 08:46
24,500	38,676	42,644	53,025	0,415	0,478	5024,374	5714,155	-0,032	0,026	20,911	3,069	38,757	8,037	20,071	2021-03-04 08:47
24,833	38,728	42,813	53,473	0,415	0,478	5165,825	5868,083	0,135	0,027	20,910	2,787	39,063	8,069	20,071	2021-03-04 08:47
25,167	38,786	42,982	53,918	0,416	0,479	5335,713	6021,480	0,137	0,026	20,911	2,921	39,207	8,084	19,977	2021-03-04 08:47
25,500	38,845	43,161	54,468	0,415	0,479	5477,556	6231,301	-0,114	0,026	20,910	3,292	38,768	8,038	19,852	2021-03-04 08:48
25,833	38,906	43,345	54,901	0,415	0,479	5646,334	6372,626	-0,049	0,026	20,914	3,309	39,044	8,067	19,852	2021-03-04 08:48
26,167	38,972	43,544	55,377	0,416	0,479	5832,012	6522,711	0,148	0,026	20,913	3,212	38,680	8,029	19,759	2021-03-04 08:48
26,500	39,040	43,743	55,757	0,416	0,480	5991,686	6631,461	0,144	0,025	20,911	3,216	39,105	8,073	19,759	2021-03-04 08:49
26,833	39,111	43,942	56,405	0,416	0,480	6134,639	6876,376	-0,007	0,025	20,914	3,423	39,211	8,084	19,665	2021-03-04 08:49
27,167	39,184	44,152	56,781	0,416	0,480	6289,701	6976,553	-0,031	0,024	20,912	3,026	38,921	8,054	19,639	2021-03-04 08:49
27,500	39,261	44,331	57,135	0,417	0,481	6476,489	7078,682	-0,109	0,024	20,913	3,284	38,730	8,034	19,571	2021-03-04 08:50
27,834	39,339	44,560	57,862	0,417	0,481	6603,144	7358,213	-0,031	0,024	20,912	3,277	39,294	8,093	19,476	2021-03-04 08:50
28,167	39,422	44,748	58,258	0,417	0,481	6765,353	7474,893	-0,106	0,023	20,912	3,592	38,878	8,050	19,477	2021-03-04 08:50
28,500	39,507	44,956	58,725	0,417	0,470	6919,060	7444,684	-0,106	0,024	20,911	3,377	38,606	8,021	19,343	2021-03-04 08:51
28,834	39,592	45,100	59,267	0,416	0,468	7018,618	7626,654	-0,188	0,025	20,908	3,403	39,215	8,084	19,249	2021-03-04 08:51
29,167	39,685	45,216	59,735	0,416	0,468	7160,138	7821,017	0,053	0,023	20,913	3,546	38,744	8,036	19,249	2021-03-04 08:51
29,500	39,776	45,394	60,177	0,417	0,469	7330,184	7970,531	0,058	0,023	20,913	3,671	38,622	8,023	19,250	2021-03-04 08:52
29,834	39,871	45,601	60,626	0,417	0,469	7465,453	8101,340	0,047	0,023	20,914	3,479	38,947	8,057	19,156	2021-03-04 08:52
30,167	39,968	45,809	61,117	0,418	0,469	7618,783	8252,985	-0,109	0,022	20,914	3,708	38,592	8,020	19,156	2021-03-04 08:52
30,500	40,066	46,011	61,473	0,416	0,470	7725,672	8347,565	-0,035	0,023	20,911	3,656	38,907	8,053	19,062	2021-03-04 08:53
30,833	40,170	46,221	61,965	0,417	0,469	7885,849	8496,757	-0,116	0,022	20,914	3,618	39,099	8,073	19,062	2021-03-04 08:53
31,167	40,273	46,423	62,313	0,418	0,470	8026,752	8583,694	-0,024	0,023	20,914	3,514	38,702	8,031	18,968	2021-03-04 08:53
31,500	40,381	46,638	62,672	0,417	0,470	8130,430	8657,853	-0,029	0,022	20,913	3,841	38,786	8,040	18,843	2021-03-04 08:54
31,833	40,492	46,824	63,149	0,418	0,470	8264,904	8825,764	-0,191	0,023	20,912	3,702	38,530	8,014	18,843	2021-03-04 08:54
32,167	40,605	47,029	63,544	0,418	0,470	8390,457	8924,938	-0,020	0,023	20,916	3,738	38,793	8,041	18,843	2021-03-04 08:54
32,500	40,724	47,233	63,948	0,418	0,471	8507,094	9040,057	-0,113	0,022	20,916	4,063	39,125	8,075	18,750	2021-03-04 08:55
32,833	40,843	47,435	64,293	0,418	0,471	8604,682	9115,808	-0,118	0,021	20,915	3,858	38,947	8,057	18,750	2021-03-04 08:55
33,167	40,961	47,635	64,713	0,418	0,471	8731,208	9237,488	-0,017	0,022	20,915	3,887	39,097	8,072	18,656	2021-03-04 08:55
33,500	41,083	47,847	65,059	0,418	0,471	8834,569	9316,029	0,062	0,022	20,914	3,875	38,632	8,024	18,656	2021-03-04 08:56
33,833	41,209	48,045	65,460	0,420	0,471	8966,027	9431,401	-0,193	0,021	20,916	4,252	38,917	8,054	18,562	2021-03-04 08:56
34,167	41,333	48,241	65,780	0,419	0,471	9028,696	9497,804	-0,034	0,021	20,914	4,365	38,961	8,058	18,562	2021-03-04 08:56
34,500	41,462	48,445	66,080	0,419	0,471	9128,377	9550,084	0,076	0,022	20,915	4,303	38,843	8,046	18,468	2021-03-04 08:57
34,834	41,595	48,628	66,449	0,419	0,471	9208,568	9652,072	-0,025	0,021	20,914	4,209	39,341	8,097	18,562	2021-03-04 08:57

Pellematic 56_test cat I_040321.DAT

Category: I

	301	302	304	305	306	308	317	1311	1312	1313	1314	1315	1316	1317	1318	1101	1102
Mättid	CO chimney	CO2 chimney	Pdyn	Pstat	Static pressure chimney	O2 chimney	Våg	Flue gas temp	Ambient	Flue gas at pitot	filter temp 1	filter temp 2	gas meter temp 1	gas meter temp 2	gasmeter temp ambient		T4 outlet load side
Minuter	VDC	VDC	VDC	VDC	VDC	VDC	VDC	°C	°C	°C	°C	°C	°C	°C	°C	°C	°C
35,167	0,199	0,201	0,979	0,210	0,028	0,697	0,695	74,933	19,312	25,457	21,871	199,374	19,173	19,154	19,236	19,119	60,970
35,500	0,199	0,201	0,982	0,211	-0,002	0,697	0,693	74,881	19,348	25,443	24,948	197,797	19,188	19,155	19,236	19,123	61,278
35,834	0,199	0,201	0,969	0,208	-0,013	0,697	0,693	74,758	19,297	25,225	28,611	203,340	19,181	19,160	19,241	19,121	61,531
36,167	0,199	0,201	0,973	0,210	0,072	0,697	0,693	74,598	19,166	25,023	21,127	212,459	19,184	19,163	19,246	19,126	61,797
36,500	0,199	0,201	0,969	0,212	0,022	0,697	0,693	74,455	19,193	24,960	13,339	222,614	19,179	19,170	19,245	19,125	62,041
36,834	0,199	0,201	0,966	0,203	-0,024	0,697	0,692	74,345	19,225	24,983	13,108	205,591	19,193	19,166	19,244	19,129	62,268
37,167	0,199	0,201	0,964	0,204	0,093	0,697	0,692	74,224	19,246	24,912	28,097	195,908	19,181	19,163	19,255	19,129	62,482
37,500	0,199	0,201	0,980	0,216	0,033	0,697	0,692	74,171	19,278	24,722	24,392	192,654	19,186	19,168	19,244	19,131	62,697
37,834	0,199	0,201	0,969	0,214	-0,007	0,697	0,692	73,928	19,270	24,373	16,364	203,265	19,192	19,160	19,260	19,131	62,902
38,167	0,199	0,201	0,977	0,219	-0,015	0,697	0,690	73,488	19,267	24,158	19,239	192,978	19,180	19,165	19,247	19,129	63,101
38,500	0,199	0,201	0,980	0,207	0,046	0,697	0,690	73,163	19,336	24,065	28,159	194,499	19,188	19,171	19,252	19,133	63,281
38,833	0,199	0,201	0,979	0,211	-0,008	0,697	0,690	72,820	19,340	23,860	21,776	192,353	19,199	19,173	19,244	19,135	63,455
39,167	0,199	0,201	0,972	0,211	0,017	0,697	0,689	72,435	19,320	23,575	23,251	189,796	19,191	19,176	19,253	19,137	63,630
39,500	0,199	0,201	0,975	0,209	0,004	0,697	0,689	72,043	19,333	23,517	25,828	193,772	19,198	19,163	19,257	19,138	63,759
39,833	0,199	0,201	0,982	0,207	0,040	0,697	0,690	71,716	19,269	23,414	24,082	189,298	19,194	19,178	19,258	19,138	63,898
40,167	0,199	0,201	0,970	0,214	0,081	0,697	0,689	71,381	19,258	23,394	28,975	193,179	19,193	19,172	19,252	19,137	64,026
40,500	0,200	0,202	0,972	0,208	0,029	0,626	0,689	71,076	19,287	23,317	22,121	191,533	19,193	19,171	19,246	19,140	64,144
40,833	0,249	0,470	0,973	0,207	0,027	0,456	0,689	70,818	19,344	23,324	16,444	202,729	19,205	19,175	19,256	19,145	64,213
41,167	0,256	0,475	0,975	0,205	0,023	0,462	0,689	70,568	19,340	23,249	23,113	188,810	19,205	19,180	19,254	19,145	64,256
41,500	0,253	0,467	0,973	0,207	-0,047	0,467	0,689	70,342	19,309	23,249	20,243	191,773	19,205	19,185	19,254	19,149	64,317
41,833	0,251	0,467	0,972	0,211	0,003	0,464	0,687	70,125	19,301	23,314	26,250	196,377	19,205	19,183	19,263	19,151	64,334
42,167	0,250	0,471	0,968	0,210	0,002	0,463	0,688	69,901	19,282	23,348	17,470	218,467	19,205	19,183	19,273	19,153	64,359
42,500	0,249	0,472	0,971	0,207	0,053	0,461	0,688	69,675	19,267	23,288	17,706	194,894	19,209	19,189	19,270	19,159	64,399
42,834	0,248	0,478	0,974	0,204	-0,002	0,454	0,687	69,479	19,275	23,206	24,152	192,835	19,208	19,197	19,264	19,159	64,446
43,167	0,248	0,488	0,977	0,203	0,004	0,448	0,687	69,314	19,283	23,270	27,302	201,042	19,209	19,187	19,264	19,158	64,499
43,500	0,247	0,487	0,973	0,204	0,022	0,450	0,688	69,112	19,281	23,232	26,572	199,808	19,209	19,188	19,264	19,156	64,522
43,834	0,248	0,488	0,982	0,203	0,067	0,446	0,687	68,915	19,280	23,131	26,609	218,379	19,216	19,196	19,279	19,160	64,559
44,167	0,249	0,492	0,970	0,202	0,037	0,444	0,687	68,748	19,261	23,243	22,926	201,267	19,225	19,199	19,267	19,162	64,596
44,500	0,252	0,495	0,982	0,204	-0,015	0,443	0,687	68,549	19,235	23,248	28,486	210,606	19,209	19,196	19,276	19,160	64,617
44,834	0,256	0,492	0,976	0,198	0,035	0,446	0,687	68,352	19,275	23,240	25,948	202,216	19,208	19,191	19,274	19,161	64,625
45,167	0,257	0,489	0,972	0,206	-0,001	0,448	0,686	68,198	19,269	23,193	23,274	201,676	19,213	19,195	19,268	19,161	64,641
45,500	0,252	0,487	0,981	0,197	0,055	0,449	0,686	68,056	19,295	23,158	20,065	224,945	19,233	19,212	19,279	19,171	64,647
45,833	0,249	0,485	0,975	0,203	0,062	0,452	0,685	67,864	19,300	23,143	20,465	198,955	19,216	19,190	19,276	19,167	64,648
46,167	0,248	0,482	0,981	0,198	-0,003	0,453	0,685	67,747	19,300	23,149	20,521	219,542	19,218	19,198	19,279	19,165	64,678
46,500	0,247	0,481	0,979	0,197	0,002	0,453	0,685	67,580	19,298	23,151	23,557	214,634	19,232	19,194	19,274	19,165	64,674
46,833	0,248	0,483	0,980	0,195	0,067	0,451	0,685	67,452	19,238	23,108	23,211	198,706	19,212	19,199	19,282	19,168	64,684

Pellematic 56_test cat I_040321.DAT

Category: I

	1103	1105	1106	130	230	101	102	1	2	3	6	7	8	11	
Mättid	T3 inlet load side	T2 inlet boiler	T1 outlet boiler	Flow load side	Flow boiler side	Heat output load side	Heat output boiler	CO chimney	CO2 chimney	O2 chimney	Pstat	Pdyn	Tunnel velocity	Våg	Tidpunkt
Minuter	°C	°C	°C	m³/h	m³/h	W	W	ppm	%	%	Pa	Pa	m/s	kg	Klockan
35,167	41,734	48,824	66,748	0,419	0,472	9284,876	9714,397	0,121	0,021	20,915	4,200	39,256	8,089	18,425	2021-03-04 08:57
35,500	41,868	49,024	67,014	0,420	0,472	9385,452	9755,211	-0,193	0,021	20,915	4,218	39,243	8,087	18,344	2021-03-04 08:58
35,834	41,995	49,207	67,252	0,421	0,472	9467,457	9777,612	-0,028	0,021	20,919	4,159	38,743	8,036	18,343	2021-03-04 08:58
36,167	42,141	49,394	67,537	0,420	0,472	9495,393	9836,445	-0,029	0,021	20,916	4,199	39,062	8,069	18,344	2021-03-04 08:58
36,500	42,281	49,570	67,671	0,419	0,472	9525,596	9814,573	-0,028	0,020	20,915	4,233	38,988	8,061	18,250	2021-03-04 08:59
36,834	42,429	49,743	67,962	0,420	0,473	9602,784	9891,487	-0,110	0,020	20,916	4,063	38,580	8,019	18,250	2021-03-04 08:59
37,167	42,576	49,916	68,170	0,421	0,473	9646,657	9906,582	-0,109	0,020	20,917	4,077	38,521	8,013	18,250	2021-03-04 08:59
37,500	42,728	50,099	68,353	0,421	0,473	9674,404	9908,710	-0,184	0,021	20,919	4,324	39,213	8,084	18,250	2021-03-04 09:00
37,834	42,876	50,249	68,527	0,421	0,473	9703,033	9923,305	-0,111	0,021	20,918	4,284	38,766	8,038	18,250	2021-03-04 09:00
38,167	43,029	50,420	68,699	0,420	0,473	9697,526	9922,056	-0,034	0,020	20,920	4,371	39,167	8,080	18,156	2021-03-04 09:00
38,500	43,184	50,597	68,852	0,421	0,473	9733,673	9913,320	0,055	0,021	20,918	4,146	38,995	8,062	18,156	2021-03-04 09:01
38,833	43,333	50,753	68,949	0,420	0,473	9716,948	9887,800	-0,029	0,020	20,919	4,229	39,324	8,096	18,156	2021-03-04 09:01
39,167	43,466	50,921	69,068	0,418	0,473	9700,924	9855,155	-0,027	0,020	20,918	4,220	38,910	8,053	18,063	2021-03-04 09:01
39,500	43,566	51,088	69,190	0,418	0,474	9709,350	9841,505	0,054	0,020	20,919	4,181	39,020	8,064	18,063	2021-03-04 09:02
39,833	43,651	51,229	69,240	0,418	0,474	9748,050	9796,961	0,058	0,020	20,919	4,144	39,329	8,096	18,063	2021-03-04 09:02
40,167	43,704	51,339	69,337	0,418	0,474	9782,430	9787,998	-0,022	0,020	20,919	4,274	38,625	8,023	18,062	2021-03-04 09:02
40,500	43,711	51,455	69,385	0,417	0,474	9812,725	9754,997	7,537	0,089	18,774	4,155	38,634	8,024	18,063	2021-03-04 09:03
40,833	43,674	51,533	69,441	0,416	0,474	9842,473	9740,465	133,709	7,113	13,678	4,150	38,790	8,040	18,063	2021-03-04 09:03
41,167	43,623	51,604	69,489	0,418	0,474	9930,171	9723,419	144,169	6,794	13,848	4,102	38,929	8,055	18,062	2021-03-04 09:03
41,500	43,604	51,619	69,519	0,417	0,474	9950,875	9737,155	134,527	6,632	13,995	4,136	38,928	8,055	18,063	2021-03-04 09:04
41,833	43,640	51,633	69,531	0,418	0,474	9961,864	9739,123	127,547	6,706	13,926	4,223	39,004	8,063	17,968	2021-03-04 09:04
42,167	43,715	51,638	69,546	0,416	0,474	9893,835	9739,491	130,238	6,753	13,894	4,192	38,618	8,023	17,969	2021-03-04 09:04
42,500	43,798	51,659	69,559	0,416	0,474	9855,631	9732,035	121,468	6,839	13,821	4,145	38,878	8,050	17,969	2021-03-04 09:05
42,834	43,867	51,720	69,541	0,416	0,474	9843,185	9697,209	124,449	7,012	13,628	4,088	38,874	8,049	17,969	2021-03-04 09:05
43,167	43,939	51,792	69,570	0,416	0,474	9841,616	9666,339	122,857	7,242	13,429	4,065	39,161	8,079	17,969	2021-03-04 09:05
43,500	44,016	51,855	69,533	0,415	0,474	9792,997	9619,046	122,238	7,146	13,490	4,074	38,789	8,040	17,969	2021-03-04 09:06
43,834	44,084	51,911	69,522	0,412	0,474	9711,726	9582,974	123,279	7,225	13,394	4,066	39,077	8,070	17,969	2021-03-04 09:06
44,167	44,133	51,993	69,472	0,411	0,474	9689,331	9509,305	129,728	7,290	13,319	4,043	38,948	8,057	17,969	2021-03-04 09:06
44,500	44,170	52,071	69,458	0,410	0,474	9657,218	9454,425	134,161	7,365	13,287	4,075	39,318	8,095	17,968	2021-03-04 09:07
44,834	44,204	52,126	69,431	0,411	0,474	9650,300	9413,146	147,019	7,274	13,377	3,961	38,819	8,044	17,969	2021-03-04 09:07
45,167	44,224	52,160	69,413	0,410	0,474	9624,928	9386,186	143,243	7,209	13,450	4,121	39,155	8,078	17,844	2021-03-04 09:07
45,500	44,232	52,205	69,363	0,408	0,475	9593,538	9340,561	128,895	7,178	13,471	3,947	39,250	8,088	17,844	2021-03-04 09:08
45,833	44,230	52,253	69,353	0,407	0,474	9556,878	9304,574	126,206	7,096	13,556	4,050	39,138	8,077	17,844	2021-03-04 09:08
46,167	44,218	52,274	69,332	0,404	0,474	9511,863	9280,757	120,843	7,041	13,598	3,955	39,331	8,096	17,843	2021-03-04 09:08
46,500	44,206	52,293	69,303	0,404	0,474	9518,962	9251,738	120,757	7,018	13,602	3,939	39,352	8,099	17,843	2021-03-04 09:09
46,833	44,177	52,304	69,282	0,403	0,474	9521,498	9235,964	126,599	7,074	13,540	3,906	39,274	8,091	17,844	2021-03-04 09:09

Pellematic 56_test cat I_040321.DAT

Category: I

	301	302	304	305	306	308	317	1311	1312	1313	1314	1315	1316	1317	1318	1101	1102
Mättid	CO chimney	CO2 chimney	Pdyn	Pstat	Static pressure chimney	O2 chimney	Våg	Flue gas temp	Ambient	Flue gas at pitot	filter temp 1	filter temp 2	gas meter temp 1	gas meter temp 2	gasmeter temp ambient		T4 outlet load side
Minuter	VDC	VDC	VDC	VDC	VDC	VDC	VDC	°C	°C	°C	°C	°C	°C	°C	°C	°C	°C
47,167	0,250	0,484	0,983	0,200	0,032	0,452	0,687	67,301	19,269	23,118	24,976	197,687	19,229	19,205	19,270	19,171	64,702
47,500	0,250	0,480	0,970	0,190	-0,027	0,457	0,686	67,171	19,266	23,132	29,057	202,811	19,232	19,205	19,287	19,173	63,726
47,833	0,254	0,471	0,974	0,199	0,005	0,464	0,685	67,042	19,293	23,132	22,223	217,737	19,231	19,210	19,274	19,173	61,803
48,167	0,253	0,467	0,976	0,192	0,008	0,465	0,684	66,907	19,295	23,171	28,804	198,949	19,219	19,201	19,284	19,173	60,554
48,500	0,249	0,471	0,974	0,195	0,002	0,460	0,685	66,772	19,312	23,168	27,994	196,955	19,227	19,212	19,287	19,176	59,384
48,833	0,251	0,475	0,974	0,195	0,001	0,458	0,684	66,646	19,280	23,149	25,971	211,724	19,229	19,211	19,288	19,179	58,750
49,167	0,251	0,476	0,981	0,189	0,037	0,459	0,684	66,516	19,263	23,102	22,593	217,740	19,220	19,200	19,282	19,174	58,231
49,500	0,252	0,472	0,974	0,193	0,013	0,462	0,684	66,392	19,291	23,170	23,683	197,833	19,229	19,209	19,288	19,177	57,817
49,833	0,251	0,468	0,971	0,188	0,004	0,466	0,684	66,277	19,263	23,124	24,579	214,323	19,241	19,218	19,303	19,183	57,584
50,167	0,254	0,465	0,981	0,192	0,002	0,467	0,684	66,185	19,177	23,150	21,752	198,777	19,237	19,201	19,288	19,180	57,581
50,500	0,256	0,463	0,977	0,197	0,034	0,468	0,683	66,068	19,268	23,217	20,437	198,607	19,235	19,213	19,290	19,182	58,004
50,834	0,255	0,463	0,976	0,190	-0,022	0,470	0,682	65,974	19,298	23,082	16,893	192,097	19,233	19,220	19,284	19,183	57,799
51,167	0,254	0,458	0,980	0,193	0,026	0,471	0,683	65,873	19,323	23,120	18,737	214,164	19,238	19,219	19,282	19,183	57,650
51,500	0,252	0,463	0,971	0,192	-0,004	0,467	0,682	65,779	19,332	23,137	18,967	193,314	19,239	19,217	19,282	19,183	57,446
51,834	0,250	0,466	0,978	0,193	0,028	0,466	0,682	65,717	19,339	23,051	23,252	198,574	19,237	19,216	19,285	19,186	57,297
52,167	0,249	0,464	0,985	0,193	0,049	0,469	0,682	65,616	19,347	23,113	20,597	210,420	19,233	19,209	19,291	19,185	57,143
52,500	0,253	0,457	0,974	0,191	0,003	0,474	0,682	65,500	19,343	23,105	21,350	191,610	19,247	19,230	19,305	19,190	56,993
52,834	0,252	0,455	0,976	0,193	0,060	0,474	0,683	65,435	19,326	23,036	27,440	191,958	19,237	19,219	19,292	19,187	57,491
53,167	0,252	0,459	0,974	0,187	0,010	0,471	0,681	65,352	19,315	23,000	20,779	207,896	19,242	19,221	19,286	19,188	57,059
53,500	0,250	0,459	0,972	0,195	0,065	0,473	0,682	65,280	19,302	23,026	25,733	190,099	19,247	19,227	19,283	19,191	56,529
53,833	0,249	0,452	0,983	0,187	-0,002	0,480	0,681	65,199	19,322	23,104	26,251	195,947	19,249	19,220	19,292	19,193	47,334
54,167	0,248	0,447	0,981	0,191	0,085	0,481	0,681	65,116	19,322	23,088	29,622	195,289	19,243	19,234	19,303	19,195	45,779
54,500	0,247	0,451	0,969	0,189	0,044	0,477	0,681	65,035	19,334	23,006	25,372	196,981	19,249	19,229	19,281	19,193	47,063
54,833	0,251	0,455	0,978	0,177	0,032	0,475	0,681	64,950	19,358	22,992	28,057	194,021	19,251	19,231	19,291	19,196	48,950
55,167	0,248	0,459	0,980	0,196	-0,004	0,470	0,681	64,895	19,386	22,994	24,101	193,903	19,253	19,236	19,306	19,201	53,545
55,500	0,248	0,462	0,978	0,188	0,056	0,470	0,681	64,840	19,380	22,976	26,897	207,681	19,252	19,240	19,300	19,206	54,389
55,833	0,249	0,458	0,977	0,197	-0,003	0,473	0,679	64,773	19,336	22,963	23,392	193,389	19,248	19,235	19,293	19,203	54,880
56,167	0,248	0,459	0,979	0,189	-0,053	0,472	0,679	64,720	19,320	23,014	22,440	203,499	19,252	19,244	19,309	19,208	54,849
56,500	0,250	0,456	0,967	0,192	0,035	0,476	0,679	64,683	19,317	23,054	27,466	198,340	19,256	19,232	19,311	19,210	55,545
56,833	0,252	0,449	0,969	0,187	0,074	0,483	0,679	64,612	19,300	23,037	23,080	212,381	19,258	19,244	19,316	19,212	55,719
57,167	0,252	0,444	0,983	0,188	-0,034	0,485	0,679	64,594	19,328	22,990	25,291	213,274	19,256	19,245	19,310	19,210	55,685
57,500	0,257	0,445	0,982	0,191	0,060	0,484	0,679	64,569	19,273	22,927	24,662	197,138	19,249	19,244	19,311	19,210	55,685
57,833	0,263	0,443	0,982	0,189	0,028	0,487	0,679	64,524	19,300	22,938	26,342	211,593	19,252	19,243	19,303	19,210	55,698
58,167	0,260	0,440	0,977	0,187	0,031	0,489	0,678	64,448	19,292	22,938	22,316	195,437	19,261	19,242	19,304	19,209	55,693
58,500	0,260	0,438	0,971	0,188	-0,031	0,490	0,679	64,422	19,295	22,961	31,767	202,417	19,262	19,248	19,309	19,216	55,680
58,834	0,256	0,441	0,974	0,184	0,019	0,486	0,679	64,397	19,319	22,890	27,368	202,822	19,260	19,251	19,307	19,215	55,666

Pellematic 56_test cat I_040321.DAT

Category: I

	1103	1105	1106	130	230	101	102	1	2	3	6	7	8	11	
Mättid	T3 inlet load side	T2 inlet boiler	T1 outlet boiler	Flow load side	Flow boiler side	Heat output load side	Heat output boiler	CO chimney	CO2 chimney	O2 chimney	Pstat	Pdyn	Tunnel velocity	Våg	Tidpunkt
Minuter	°C	°C	°C	m³/h	m³/h	W	W	ppm	%	%	Pa	Pa	m/s	kg	Klockan
47,167	44,120	52,336	69,226	0,401	0,474	9487,098	9189,621	127,471	7,083	13,547	4,003	39,362	8,100	17,844	2021-03-04 09:09
47,500	44,065	52,345	69,192	0,401	0,474	9063,200	9165,141	130,321	6,935	13,722	3,810	38,608	8,022	17,844	2021-03-04 09:10
47,833	44,002	52,404	69,167	0,400	0,475	8192,027	9124,303	136,964	6,742	13,912	3,975	38,795	8,041	17,750	2021-03-04 09:10
48,167	43,938	53,279	69,143	0,400	0,476	7647,135	8655,008	131,815	6,686	13,941	3,831	39,294	8,093	17,844	2021-03-04 09:10
48,500	43,863	54,330	69,141	0,401	0,476	7150,922	8080,742	124,030	6,826	13,799	3,910	39,077	8,070	17,844	2021-03-04 09:11
48,833	43,781	55,250	69,121	0,400	0,477	6882,126	7580,416	131,151	6,871	13,743	3,895	38,983	8,061	17,750	2021-03-04 09:11
49,167	43,697	55,964	69,093	0,400	0,477	6695,600	7171,369	130,910	6,876	13,763	3,787	39,306	8,094	17,750	2021-03-04 09:11
49,500	43,608	56,508	69,079	0,398	0,478	6500,043	6873,232	131,236	6,796	13,860	3,854	38,795	8,041	17,750	2021-03-04 09:12
49,833	43,529	56,890	69,071	0,396	0,478	6408,960	6660,961	129,401	6,672	13,969	3,769	38,794	8,041	17,750	2021-03-04 09:12
50,167	43,450	57,172	69,056	0,397	0,477	6454,845	6493,956	140,180	6,611	14,024	3,831	39,153	8,078	17,750	2021-03-04 09:12
50,500	43,373	57,294	69,042	0,396	0,477	6662,617	6418,176	143,498	6,563	14,055	3,931	38,927	8,055	17,656	2021-03-04 09:13
50,834	43,288	57,386	69,032	0,395	0,478	6581,566	6368,447	139,292	6,555	14,102	3,799	39,172	8,080	17,656	2021-03-04 09:13
51,167	43,203	57,481	69,029	0,395	0,478	6551,889	6311,431	137,290	6,462	14,140	3,866	39,083	8,071	17,656	2021-03-04 09:13
51,500	43,099	57,494	69,002	0,394	0,478	6500,637	6289,318	131,760	6,613	14,024	3,830	39,006	8,063	17,656	2021-03-04 09:14
51,834	43,025	57,554	69,004	0,394	0,477	6467,514	6256,351	124,113	6,656	13,984	3,852	39,203	8,083	17,656	2021-03-04 09:14
52,167	42,954	57,536	68,996	0,395	0,477	6449,794	6261,768	126,981	6,566	14,080	3,868	39,537	8,118	17,656	2021-03-04 09:14
52,500	42,868	57,559	68,996	0,395	0,478	6420,353	6250,385	138,645	6,398	14,233	3,819	38,931	8,055	17,656	2021-03-04 09:15
52,834	42,753	57,506	69,002	0,418	0,478	7296,151	6283,158	133,942	6,389	14,229	3,860	39,145	8,077	17,656	2021-03-04 09:15
53,167	42,660	57,329	69,019	0,491	0,477	8128,434	6378,580	133,109	6,492	14,130	3,744	38,840	8,046	17,562	2021-03-04 09:15
53,500	42,588	56,035	69,031	0,490	0,476	7857,166	7084,575	125,832	6,457	14,199	3,900	38,750	8,036	17,656	2021-03-04 09:16
53,833	42,506	55,396	69,074	0,494	0,477	2746,174	7468,301	127,216	6,239	14,399	3,735	39,246	8,088	17,563	2021-03-04 09:16
54,167	42,426	57,024	69,087	0,498	0,479	1919,853	6620,280	118,919	6,200	14,429	3,812	39,248	8,088	17,563	2021-03-04 09:16
54,500	42,364	62,072	69,120	0,498	0,480	2694,126	3864,555	121,980	6,314	14,314	3,773	38,879	8,050	17,562	2021-03-04 09:17
54,833	42,317	63,253	69,182	0,496	0,480	3788,857	3248,288	132,171	6,383	14,240	3,538	38,937	8,056	17,562	2021-03-04 09:17
55,167	42,303	62,408	69,225	0,493	0,479	6382,833	3729,246	121,521	6,505	14,109	3,912	39,261	8,089	17,563	2021-03-04 09:17
55,500	42,293	60,387	69,299	0,493	0,478	6858,321	4867,713	123,957	6,534	14,103	3,766	39,132	8,076	17,562	2021-03-04 09:18
55,833	42,260	58,196	69,364	0,491	0,477	7136,876	6093,987	123,804	6,434	14,184	3,942	38,999	8,062	17,468	2021-03-04 09:18
56,167	42,244	57,150	69,409	0,491	0,477	7128,996	6688,120	123,784	6,475	14,161	3,776	39,043	8,067	17,468	2021-03-04 09:18
56,500	42,254	56,821	69,462	0,491	0,477	7510,125	6897,447	130,553	6,361	14,285	3,835	38,384	7,998	17,468	2021-03-04 09:19
56,833	42,256	56,553	69,473	0,490	0,476	7585,793	7047,191	131,333	6,162	14,480	3,742	38,884	8,050	17,346	2021-03-04 09:19
57,167	42,232	56,176	69,518	0,491	0,476	7602,568	7276,055	135,159	6,096	14,536	3,751	39,394	8,103	17,468	2021-03-04 09:19
57,500	42,210	56,027	69,548	0,491	0,476	7618,172	7376,635	151,464	6,113	14,528	3,820	39,204	8,083	17,468	2021-03-04 09:20
57,833	42,161	55,967	69,601	0,492	0,476	7660,999	7437,847	159,536	6,041	14,600	3,778	39,183	8,081	17,468	2021-03-04 09:20
58,167	42,084	55,932	69,656	0,491	0,476	7697,450	7484,232	152,484	5,975	14,665	3,737	38,847	8,046	17,346	2021-03-04 09:20
58,500	42,017	55,921	69,702	0,492	0,476	7735,395	7514,720	152,563	5,938	14,693	3,764	38,917	8,054	17,346	2021-03-04 09:21
58,834	42,011	55,901	69,757	0,492	0,476	7738,339	7551,944	141,067	6,065	14,583	3,690	39,087	8,071	17,346	2021-03-04 09:21

Pellematic 56_test cat I_040321.DAT

Category: I

	301	302	304	305	306	308	317	1311	1312	1313	1314	1315	1316	1317	1318	1101	1102
Mättid	CO chimney	CO2 chimney	Pdyn	Pstat	Static pressure chimney	O2 chimney	Våg	Flue gas temp	Ambient	Flue gas at pitot	filter temp 1	filter temp 2	gas meter temp 1	gas meter temp 2	gasmeter temp ambient		T4 outlet load side
Minuter	VDC	VDC	VDC	VDC	VDC	VDC	VDC	°C	°C	°C	°C	°C	°C	°C	°C	°C	°C
59,167	0,257	0,447	0,974	0,185	0,043	0,480	0,678	64,374	19,324	22,895	28,996	200,807	19,260	19,254	19,299	19,214	55,696
59,500	0,258	0,454	0,974	0,185	0,012	0,475	0,678	64,332	19,312	22,908	25,780	204,200	19,262	19,246	19,324	19,219	55,708
59,834	0,262	0,455	0,971	0,186	0,026	0,474	0,678	64,340	19,309	22,946	26,488	209,040	19,272	19,250	19,316	19,216	55,713
60,167	0,256	0,460	0,971	0,182	0,049	0,467	0,678	64,334	19,356	22,946	25,813	198,328	19,269	19,255	19,306	19,221	55,736
60,500	0,246	0,472	0,974	0,182	0,031	0,457	0,678	64,311	19,354	23,012	26,059	207,512	19,266	19,248	19,317	19,220	56,174
60,834	0,244	0,483	0,983	0,187	-0,001	0,451	0,678	64,290	19,320	22,918	18,349	205,178	19,258	19,248	19,310	19,218	56,108
61,167	0,243	0,487	0,973	0,180	0,050	0,446	0,677	64,260	19,323	22,935	23,085	208,406	19,272	19,256	19,313	19,224	55,714
61,500	0,242	0,496	0,970	0,176	0,019	0,438	0,676	64,220	19,309	22,910	22,497	212,184	19,254	19,248	19,314	19,222	55,763
61,833	0,239	0,504	0,965	0,179	-0,025	0,434	0,676	64,243	19,304	22,967	17,643	196,558	19,264	19,247	19,323	19,229	55,783
62,167	0,239	0,504	0,965	0,178	0,053	0,436	0,676	64,217	19,317	22,956	22,406	192,133	19,261	19,254	19,308	19,225	55,794
62,500	0,239	0,497	0,965	0,182	0,001	0,442	0,676	64,188	19,324	22,901	25,014	196,283	19,268	19,252	19,316	19,225	55,811
62,833	0,243	0,492	0,968	0,182	0,065	0,445	0,676	64,149	19,251	22,900	23,947	207,772	19,259	19,251	19,315	19,230	55,934
63,167	0,247	0,491	0,966	0,187	0,027	0,447	0,676	64,140	19,287	22,873	25,148	192,033	19,277	19,257	19,319	19,230	55,950
63,500	0,252	0,482	0,973	0,186	0,028	0,456	0,675	64,137	19,324	22,875	27,812	197,955	19,271	19,266	19,313	19,234	55,951
63,833	0,257	0,469	0,970	0,187	0,033	0,465	0,676	64,150	19,378	22,861	22,161	201,871	19,274	19,263	19,315	19,235	55,962
64,167	0,260	0,464	0,976	0,187	0,024	0,466	0,676	64,132	19,360	22,911	23,887	184,496	19,267	19,253	19,329	19,239	55,972
64,500	0,261	0,469	0,967	0,187	-0,003	0,461	0,675	64,121	19,321	22,892	25,521	206,716	19,280	19,268	19,324	19,239	55,952
64,833	0,261	0,476	0,970	0,183	0,002	0,455	0,675	64,110	19,314	22,909	23,995	186,422	19,270	19,254	19,325	19,240	55,936
65,167	0,267	0,482	0,973	0,183	-0,045	0,453	0,675	64,113	19,356	22,863	24,361	189,669	19,282	19,269	19,324	19,247	55,931
65,500	0,270	0,478	0,977	0,186	0,048	0,459	0,675	64,070	19,367	22,843	26,543	188,220	19,288	19,263	19,333	19,245	55,946
65,834	0,270	0,470	0,972	0,183	0,046	0,463	0,675	64,087	19,303	22,903	24,908	203,361	19,278	19,268	19,327	19,246	55,924
66,167	0,268	0,467	0,976	0,194	-0,005	0,466	0,675	64,084	19,279	22,979	23,713	191,515	19,285	19,276	19,336	19,251	55,931
66,500	0,266	0,467	0,968	0,191	0,037	0,465	0,675	64,089	19,293	23,011	28,232	194,198	19,284	19,283	19,328	19,254	55,934
66,834	0,264	0,466	0,966	0,185	0,040	0,467	0,675	64,021	19,313	22,978	27,526	189,047	19,285	19,286	19,328	19,254	55,937
67,167	0,265	0,460	0,965	0,180	0,026	0,472	0,674	64,009	19,350	22,907	24,605	189,759	19,281	19,269	19,332	19,253	55,966
67,500	0,265	0,456	0,969	0,183	0,041	0,473	0,674	64,024	19,319	22,847	22,165	206,658	19,285	19,272	19,331	19,253	55,990
67,834	0,263	0,457	0,971	0,185	0,016	0,474	0,673	64,018	19,317	22,852	22,271	183,747	19,289	19,275	19,331	19,256	55,964
68,167	0,261	0,456	0,975	0,179	0,033	0,474	0,673	64,009	19,312	22,871	22,302	200,648	19,291	19,278	19,339	19,258	55,987
68,500	0,255	0,458	0,971	0,185	0,050	0,470	0,673	64,001	19,303	22,948	22,482	205,959	19,289	19,279	19,337	19,262	55,968
68,834	0,246	0,467	0,971	0,183	0,028	0,463	0,673	64,028	19,235	22,885	25,364	190,700	19,295	19,280	19,338	19,261	55,970
69,167	0,242	0,476	0,982	0,179	-0,029	0,455	0,673	64,002	19,294	22,868	20,227	205,819	19,300	19,297	19,349	19,264	55,983
69,500	0,248	0,479	0,966	0,181	0,003	0,456	0,673	63,982	19,338	22,826	24,746	189,343	19,303	19,290	19,342	19,264	55,974
69,833	0,246	0,478	0,968	0,187	0,013	0,456	0,673	63,973	19,331	22,974	29,052	204,021	19,290	19,285	19,339	19,262	55,972
70,167	0,240	0,479	0,966	0,187	0,071	0,454	0,673	63,985	19,299	22,915	22,662	195,917	19,301	19,287	19,336	19,264	55,977
70,500	0,238	0,483	0,968	0,177	-0,016	0,451	0,672	64,015	19,280	22,918	21,905	193,088	19,291	19,285	19,335	19,264	55,976
70,833	0,237	0,483	0,978	0,178	0,045	0,452	0,672	64,032	19,260	22,816	24,596	189,292	19,309	19,285	19,347	19,268	55,970

Pellematic 56_test cat I_040321.DAT

Category: I

	1103	1105	1106	130	230	101	102	1	2	3	6	7	8	11	
Mättid	T3 inlet load side	T2 inlet boiler	T1 outlet boiler	Flow load side	Flow boiler side	Heat output load side	Heat output boiler	CO chimney	CO2 chimney	O2 chimney	Pstat	Pdyn	Tunnel velocity	Våg	Tidpunkt
Minuter	°C	°C	°C	m³/h	m³/h	W	W	ppm	%	%	Pa	Pa	m/s	kg	Klockan
59,167	42,019	55,865	69,795	0,494	0,476	7782,451	7599,354	147,819	6,233	14,412	3,696	38,835	8,045	17,346	2021-03-04 09:21
59,500	42,015	55,831	69,846	0,494	0,476	7784,496	7643,083	147,274	6,397	14,259	3,706	38,834	8,045	17,346	2021-03-04 09:22
59,834	41,997	55,830	69,875	0,494	0,476	7806,866	7659,136	163,818	6,382	14,233	3,727	38,745	8,036	17,346	2021-03-04 09:22
60,167	41,989	55,833	69,901	0,494	0,476	7812,972	7669,888	136,221	6,571	14,018	3,638	38,812	8,043	17,346	2021-03-04 09:22
60,500	42,014	55,844	69,926	0,494	0,476	8045,314	7676,993	115,303	6,888	13,708	3,640	38,829	8,045	17,346	2021-03-04 09:23
60,834	42,048	55,722	69,936	0,494	0,476	7988,727	7751,959	110,850	7,092	13,524	3,750	39,210	8,084	17,346	2021-03-04 09:23
61,167	42,061	55,622	69,959	0,494	0,476	7770,095	7820,419	111,773	7,221	13,386	3,609	38,984	8,061	17,252	2021-03-04 09:23
61,500	42,068	55,698	69,945	0,493	0,476	7779,943	7773,544	106,342	7,476	13,146	3,526	38,895	8,051	17,252	2021-03-04 09:24
61,833	42,085	55,903	69,949	0,493	0,476	7776,397	7665,200	100,356	7,634	13,012	3,576	38,613	8,022	17,252	2021-03-04 09:24
62,167	42,110	55,966	69,963	0,494	0,477	7779,817	7638,595	98,431	7,574	13,082	3,559	38,948	8,057	17,252	2021-03-04 09:24
62,500	42,124	55,986	69,938	0,494	0,477	7785,041	7616,185	104,068	7,366	13,263	3,634	38,443	8,005	17,252	2021-03-04 09:25
62,833	42,126	55,988	69,938	0,494	0,477	7857,504	7613,585	112,189	7,273	13,335	3,633	38,771	8,039	17,252	2021-03-04 09:25
63,167	42,133	55,978	69,928	0,494	0,477	7859,996	7614,331	122,573	7,250	13,402	3,740	38,475	8,008	17,252	2021-03-04 09:25
63,500	42,150	55,930	69,930	0,494	0,477	7851,585	7644,190	136,211	6,977	13,670	3,723	39,171	8,080	17,158	2021-03-04 09:26
63,833	42,163	55,911	69,913	0,495	0,476	7855,815	7641,129	146,814	6,662	13,955	3,739	39,068	8,069	17,252	2021-03-04 09:26
64,167	42,167	55,913	69,907	0,494	0,477	7847,987	7639,986	153,480	6,613	13,986	3,735	39,017	8,064	17,252	2021-03-04 09:26
64,500	42,177	55,913	69,902	0,493	0,477	7820,077	7635,780	155,006	6,751	13,844	3,741	38,848	8,047	17,158	2021-03-04 09:27
64,833	42,183	55,920	69,884	0,494	0,477	7825,583	7624,167	158,862	6,958	13,644	3,668	38,740	8,035	17,158	2021-03-04 09:27
65,167	42,188	55,915	69,884	0,494	0,477	7813,957	7623,981	171,202	7,051	13,579	3,657	39,081	8,071	17,159	2021-03-04 09:27
65,500	42,193	55,910	69,868	0,495	0,477	7829,068	7621,473	180,348	6,874	13,762	3,716	39,070	8,070	17,158	2021-03-04 09:28
65,834	42,194	55,919	69,875	0,493	0,476	7796,743	7616,136	177,635	6,743	13,895	3,657	38,741	8,035	17,252	2021-03-04 09:28
66,167	42,201	55,922	69,859	0,494	0,477	7815,095	7607,563	171,115	6,648	13,978	3,888	39,060	8,068	17,158	2021-03-04 09:28
66,500	42,204	55,911	69,857	0,495	0,477	7827,094	7614,959	166,917	6,682	13,950	3,827	38,677	8,029	17,158	2021-03-04 09:29
66,834	42,220	55,905	69,838	0,494	0,477	7801,422	7604,855	163,729	6,601	14,017	3,705	38,563	8,017	17,158	2021-03-04 09:29
67,167	42,242	55,901	69,839	0,494	0,476	7810,514	7604,169	165,918	6,429	14,169	3,606	38,504	8,011	17,065	2021-03-04 09:29
67,500	42,251	55,902	69,843	0,494	0,476	7804,929	7602,769	163,983	6,395	14,197	3,656	38,644	8,025	17,065	2021-03-04 09:30
67,834	42,253	55,904	69,830	0,494	0,476	7796,375	7598,036	159,964	6,394	14,209	3,706	38,745	8,036	17,065	2021-03-04 09:30
68,167	42,270	55,916	69,824	0,493	0,476	7790,613	7588,608	152,987	6,391	14,218	3,585	38,825	8,044	17,065	2021-03-04 09:30
68,500	42,297	55,917	69,816	0,494	0,476	7768,927	7577,724	136,956	6,513	14,092	3,691	38,904	8,052	17,065	2021-03-04 09:31
68,834	42,315	55,919	69,819	0,494	0,476	7763,592	7584,195	110,981	6,715	13,892	3,653	38,962	8,058	17,065	2021-03-04 09:31
69,167	42,321	55,917	69,793	0,494	0,476	7764,393	7570,569	112,039	6,973	13,657	3,570	39,411	8,105	17,065	2021-03-04 09:31
69,500	42,328	55,919	69,799	0,494	0,476	7761,205	7573,759	123,272	6,952	13,668	3,614	38,551	8,016	17,065	2021-03-04 09:32
69,833	42,352	55,921	69,786	0,495	0,476	7752,251	7565,048	112,615	6,936	13,678	3,747	38,570	8,018	17,065	2021-03-04 09:32
70,167	42,374	55,923	69,783	0,494	0,476	7733,243	7562,599	100,590	6,979	13,629	3,745	38,334	7,993	17,065	2021-03-04 09:32
70,500	42,388	55,930	69,768	0,495	0,477	7739,308	7552,555	98,011	7,097	13,528	3,531	38,655	8,027	16,971	2021-03-04 09:33
70,833	42,370	55,931	69,764	0,494	0,477	7740,171	7549,985	97,590	7,045	13,565	3,554	39,073	8,070	16,971	2021-03-04 09:33

Pellematic 56_test cat I_040321.DAT

Category: I

	301	302	304	305	306	308	317	1311	1312	1313	1314	1315	1316	1317	1318	1101	1102
Mättid	CO chimney	CO2 chimney	Pdyn	Pstat	Static pressure chimney	O2 chimney	Våg	Flue gas temp	Ambient	Flue gas at pitot	filter temp 1	filter temp 2	gas meter temp 1	gas meter temp 2	gasmeter temp ambient		T4 outlet load side
Minuter	VDC	VDC	VDC	VDC	VDC	VDC	VDC	°C	°C	°C	°C	°C	°C	°C	°C	°C	°C
71,167	0,239	0,481	0,977	0,187	0,001	0,453	0,672	64,001	19,290	22,832	21,124	229,207	19,291	19,293	19,325	19,266	55,938
71,500	0,238	0,483	0,976	0,181	0,012	0,450	0,672	64,000	19,308	22,851	13,717	188,996	19,289	19,270	19,341	19,272	55,910
71,833	0,236	0,490	0,969	0,185	0,001	0,444	0,672	64,008	19,287	22,877	21,684	195,728	19,294	19,286	19,338	19,269	55,872
72,167	0,239	0,494	0,973	0,182	0,001	0,443	0,672	64,005	19,249	22,847	21,673	187,940	19,291	19,282	19,335	19,267	55,839
72,500	0,242	0,492	0,972	0,187	0,106	0,445	0,672	64,043	19,282	22,853	28,550	195,605	19,292	19,297	19,341	19,273	55,751
72,833	0,243	0,488	0,975	0,185	-0,031	0,448	0,672	64,023	19,287	22,839	26,428	198,738	19,293	19,295	19,329	19,272	55,696
73,167	0,242	0,487	0,976	0,183	0,024	0,447	0,671	64,021	19,315	22,821	25,608	193,157	19,302	19,282	19,334	19,272	55,694
73,500	0,243	0,488	0,970	0,185	0,062	0,448	0,671	64,025	19,336	22,856	22,845	207,314	19,301	19,293	19,346	19,275	55,688
73,834	0,248	0,485	0,967	0,179	-0,023	0,449	0,672	64,029	19,261	22,867	24,416	192,394	19,306	19,293	19,344	19,277	55,662
74,167	0,253	0,487	0,973	0,183	0,082	0,448	0,670	64,027	19,286	22,859	27,617	194,847	19,303	19,295	19,338	19,277	55,794
74,500	0,256	0,487	0,967	0,181	0,003	0,448	0,670	64,049	19,290	22,921	24,256	207,598	19,293	19,295	19,342	19,277	56,066
74,834	0,253	0,486	0,972	0,183	0,053	0,449	0,670	64,041	19,337	22,866	25,041	191,763	19,299	19,299	19,336	19,276	56,199
75,167	0,250	0,486	0,969	0,187	0,023	0,448	0,671	64,054	19,305	22,813	22,463	205,065	19,300	19,296	19,343	19,279	56,056
75,500	0,248	0,489	0,974	0,179	0,029	0,445	0,670	64,075	19,233	22,829	24,197	203,386	19,306	19,299	19,345	19,279	56,061
75,834	0,245	0,490	0,976	0,182	0,033	0,446	0,669	64,052	19,272	22,872	18,465	201,711	19,297	19,294	19,349	19,279	56,036
76,167	0,247	0,490	0,972	0,183	-0,030	0,445	0,669	64,087	19,281	22,863	18,457	190,222	19,316	19,290	19,339	19,279	56,019
76,500	0,250	0,489	0,983	0,187	0,079	0,447	0,670	64,087	19,315	22,829	28,055	192,050	19,314	19,303	19,349	19,280	55,990
76,833	0,250	0,486	0,974	0,180	-0,029	0,449	0,668	64,108	19,305	22,814	19,120	188,695	19,308	19,300	19,345	19,286	55,730
77,167	0,247	0,486	0,980	0,182	0,061	0,449	0,668	64,122	19,279	22,805	26,814	195,596	19,306	19,293	19,344	19,283	55,640
77,500	0,244	0,488	0,974	0,183	0,004	0,447	0,668	64,134	19,280	22,849	15,280	195,936	19,309	19,296	19,351	19,284	55,659
77,833	0,248	0,486	0,974	0,177	0,002	0,450	0,668	64,166	19,241	22,938	23,951	180,035	19,309	19,308	19,350	19,288	55,658
78,167	0,250	0,482	0,975	0,181	0,009	0,453	0,668	64,172	19,202	22,957	27,258	183,266	19,316	19,304	19,366	19,291	55,891
78,500	0,250	0,483	0,973	0,180	0,052	0,450	0,668	64,163	19,255	22,958	22,964	178,601	19,314	19,300	19,348	19,291	56,064
78,833	0,248	0,493	0,972	0,178	0,030	0,439	0,667	64,198	19,270	22,929	17,585	183,698	19,320	19,309	19,351	19,292	56,049
79,167	0,247	0,510	0,970	0,189	-0,028	0,426	0,667	64,218	19,281	22,954	17,010	187,338	19,316	19,302	19,360	19,294	56,044
79,500	0,249	0,514	0,976	0,185	0,078	0,426	0,667	64,241	19,282	22,890	22,847	185,384	19,313	19,298	19,345	19,292	56,045
79,833	0,253	0,512	0,975	0,185	0,030	0,428	0,667	64,260	19,285	22,884	21,756	184,169	19,321	19,309	19,354	19,297	56,061
80,167	0,250	0,510	0,970	0,185	0,015	0,430	0,667	64,265	19,272	22,883	30,000	190,093	19,327	19,313	19,363	19,301	55,907
80,500	0,249	0,503	0,970	0,181	-0,006	0,437	0,667	64,264	19,195	22,831	24,464	186,871	19,321	19,321	19,360	19,301	55,903
80,833	0,247	0,496	0,963	0,189	0,049	0,441	0,667	64,278	19,227	22,810	29,320	189,337	19,327	19,328	19,371	19,307	55,904
81,167	0,245	0,496	0,972	0,178	-0,003	0,440	0,667	64,286	19,238	22,757	36,487	185,813	19,327	19,311	19,352	19,301	55,915
81,500	0,241	0,502	0,965	0,184	0,008	0,432	0,666	64,325	19,247	22,783	18,719	201,523	19,324	19,307	19,368	19,302	55,932
81,834	0,236	0,513	0,966	0,179	0,030	0,424	0,666	64,332	19,292	22,803	21,730	198,650	19,323	19,315	19,367	19,303	55,958
82,167	0,238	0,514	0,970	0,182	-0,040	0,425	0,665	64,337	19,331	22,835	22,616	180,599	19,327	19,319	19,366	19,303	55,964
82,500	0,237	0,512	0,974	0,185	0,053	0,426	0,665	64,375	19,314	22,811	24,322	197,369	19,321	19,324	19,357	19,311	56,000
82,834	0,239	0,515	0,968	0,172	-0,023	0,422	0,665	64,377	19,269	22,844	20,765	177,038	19,325	19,320	19,365	19,306	56,059

Pellematic 56_test cat I_040321.DAT

Category: I

	1103	1105	1106	130	230	101	102	1	2	3	6	7	8	11	
Mättid	T3 inlet load side	T2 inlet boiler	T1 outlet boiler	Flow load side	Flow boiler side	Heat output load side	Heat output boiler	CO chimney	CO2 chimney	O2 chimney	Pstat	Pdyn	Tunnel velocity	Våg	Tidpunkt
Minuter	°C	°C	°C	m³/h	m³/h	W	W	ppm	%	%	Pa	Pa	m/s	kg	Klockan
71,167	42,319	55,940	69,752	0,495	0,477	7757,083	7538,456	102,279	7,017	13,589	3,740	39,019	8,064	16,971	2021-03-04 09:33
71,500	42,275	55,939	69,737	0,495	0,477	7762,029	7534,172	97,506	7,095	13,496	3,614	39,050	8,067	16,971	2021-03-04 09:34
71,833	42,233	55,924	69,732	0,494	0,477	7753,789	7537,226	95,401	7,277	13,328	3,695	39,035	8,066	16,971	2021-03-04 09:34
72,167	42,137	55,902	69,741	0,495	0,476	7811,375	7551,674	103,123	7,352	13,281	3,638	39,106	8,073	16,971	2021-03-04 09:34
72,500	41,982	55,869	69,733	0,496	0,476	7865,194	7562,296	108,413	7,282	13,350	3,736	38,938	8,056	16,971	2021-03-04 09:35
72,833	41,944	55,818	69,751	0,496	0,477	7848,281	7604,193	111,604	7,167	13,446	3,690	38,890	8,051	16,971	2021-03-04 09:35
73,167	41,925	55,765	69,723	0,498	0,477	7888,395	7618,662	106,403	7,208	13,423	3,668	39,063	8,069	16,965	2021-03-04 09:35
73,500	41,910	55,713	69,721	0,498	0,477	7903,057	7648,027	113,031	7,196	13,445	3,700	38,833	8,045	16,846	2021-03-04 09:36
73,834	41,870	55,667	69,718	0,507	0,477	8042,411	7669,604	124,195	7,119	13,485	3,574	38,341	7,994	16,971	2021-03-04 09:36
74,167	41,794	55,584	69,720	0,511	0,476	8234,215	7705,157	139,972	7,181	13,430	3,665	38,952	8,057	16,846	2021-03-04 09:36
74,500	41,730	55,302	69,713	0,450	0,476	7427,047	7860,765	141,742	7,182	13,432	3,613	38,556	8,016	16,846	2021-03-04 09:37
74,834	41,713	55,779	69,717	0,450	0,477	7505,610	7611,731	131,844	7,155	13,458	3,656	38,862	8,048	16,846	2021-03-04 09:37
75,167	41,706	56,109	69,710	0,451	0,477	7456,061	7424,586	125,788	7,178	13,446	3,746	38,936	8,056	16,971	2021-03-04 09:37
75,500	41,655	56,192	69,717	0,452	0,477	7498,053	7380,960	121,012	7,258	13,363	3,588	38,910	8,053	16,846	2021-03-04 09:38
75,834	41,593	56,285	69,722	0,453	0,477	7530,722	7335,645	115,970	7,214	13,386	3,641	39,062	8,069	16,752	2021-03-04 09:38
76,167	41,570	56,259	69,730	0,454	0,477	7547,969	7351,272	123,764	7,260	13,352	3,657	39,038	8,066	16,846	2021-03-04 09:38
76,500	41,580	56,223	69,722	0,455	0,477	7549,770	7368,538	128,606	7,221	13,400	3,741	39,183	8,081	16,846	2021-03-04 09:39
76,833	41,526	56,192	69,700	0,455	0,477	7438,485	7374,171	127,201	7,150	13,467	3,608	39,030	8,065	16,752	2021-03-04 09:39
77,167	41,462	56,218	69,744	0,456	0,477	7440,038	7387,264	118,746	7,153	13,463	3,641	39,280	8,091	16,752	2021-03-04 09:39
77,500	41,444	56,395	69,732	0,456	0,477	7462,853	7282,839	114,044	7,217	13,424	3,650	38,890	8,051	16,752	2021-03-04 09:40
77,833	41,449	56,364	69,723	0,458	0,477	7499,047	7293,064	125,392	7,120	13,510	3,532	38,974	8,060	16,802	2021-03-04 09:40
78,167	41,433	56,317	69,738	0,457	0,477	7607,825	7323,204	128,805	7,009	13,590	3,620	39,017	8,064	16,752	2021-03-04 09:40
78,500	41,401	56,271	69,746	0,458	0,477	7736,558	7354,823	127,719	7,104	13,491	3,607	38,832	8,045	16,753	2021-03-04 09:41
78,833	41,399	56,058	69,731	0,459	0,477	7735,753	7467,654	120,384	7,420	13,160	3,568	38,732	8,035	16,658	2021-03-04 09:41
79,167	41,400	55,965	69,719	0,459	0,477	7747,304	7508,391	120,759	7,842	12,775	3,780	38,852	8,047	16,658	2021-03-04 09:41
79,500	41,413	55,934	69,748	0,459	0,477	7735,954	7542,527	128,623	7,820	12,787	3,701	38,947	8,057	16,658	2021-03-04 09:42
79,833	41,421	55,912	69,746	0,461	0,477	7764,007	7550,589	135,951	7,792	12,830	3,692	38,873	8,049	16,658	2021-03-04 09:42
80,167	41,436	55,901	69,742	0,461	0,477	7675,657	7554,756	125,635	7,730	12,904	3,701	38,979	8,060	16,658	2021-03-04 09:42
80,500	41,433	55,908	69,772	0,462	0,477	7697,503	7566,789	125,201	7,521	13,106	3,622	38,653	8,026	16,658	2021-03-04 09:43
80,833	41,439	55,968	69,770	0,462	0,477	7688,132	7537,884	119,582	7,381	13,228	3,779	38,691	8,030	16,658	2021-03-04 09:43
81,167	41,446	55,988	69,783	0,463	0,476	7709,205	7526,909	113,713	7,410	13,196	3,557	38,777	8,039	16,658	2021-03-04 09:43
81,500	41,469	55,979	69,816	0,463	0,476	7711,718	7549,018	100,780	7,629	12,959	3,690	38,385	7,998	16,565	2021-03-04 09:44
81,834	41,475	55,974	69,839	0,463	0,477	7725,585	7566,680	92,709	7,870	12,718	3,590	38,754	8,037	16,565	2021-03-04 09:44
82,167	41,478	55,984	69,849	0,463	0,477	7726,134	7568,671	98,260	7,836	12,742	3,639	38,989	8,061	16,565	2021-03-04 09:44
82,500	41,493	55,994	69,870	0,464	0,477	7753,664	7573,701	96,997	7,772	12,776	3,691	38,862	8,048	16,565	2021-03-04 09:45
82,834	41,553	55,988	69,882	0,464	0,476	7752,598	7581,523	103,375	7,908	12,651	3,431	38,828	8,044	16,564	2021-03-04 09:45

Pellematic 56_test cat I_040321.DAT

Category: I

	301	302	304	305	306	308	317	1311	1312	1313	1314	1315	1316	1317	1318	1101	1102
Mättid	CO chimney	CO2 chimney	Pdyn	Pstat	Static pressure chimney	O2 chimney	Våg	Flue gas temp	Ambient	Flue gas at pitot	filter temp 1	filter temp 2	gas meter temp 1	gas meter temp 2	gasmeter temp ambient		T4 outlet load side
Minuter	VDC	VDC	VDC	VDC	VDC	VDC	VDC	°C	°C	°C	°C	°C	°C	°C	°C	°C	°C
83,167	0,239	0,520	0,978	0,181	0,002	0,418	0,665	64,411	19,192	22,839	19,350	173,731	19,325	19,319	19,357	19,307	55,859
83,500	0,239	0,523	0,975	0,180	-0,001	0,417	0,665	64,474	19,278	22,852	28,876	185,761	19,340	19,330	19,381	19,318	55,701
83,834	0,239	0,519	0,976	0,180	0,071	0,423	0,664	64,411	19,273	22,809	30,833	186,098	19,337	19,337	19,367	19,313	55,798
84,167	0,239	0,513	0,963	0,185	0,033	0,425	0,664	64,425	19,290	22,820	21,605	196,782	19,344	19,326	19,368	19,319	55,803
84,500	0,240	0,516	0,980	0,171	-0,034	0,422	0,664	64,429	19,257	22,787	19,734	186,223	19,335	19,331	19,379	19,321	55,835
84,833	0,240	0,517	0,974	0,181	0,003	0,424	0,664	64,440	19,258	22,797	17,763	187,502	19,341	19,335	19,381	19,319	55,843
85,167	0,242	0,512	0,965	0,178	0,051	0,429	0,664	64,472	19,276	22,818	27,828	190,190	19,333	19,320	19,366	19,314	55,869
85,500	0,242	0,506	0,972	0,179	0,021	0,434	0,664	64,474	19,293	22,892	25,483	187,253	19,328	19,324	19,363	19,314	55,888
85,833	0,242	0,505	0,970	0,177	-0,004	0,432	0,664	64,465	19,250	22,891	21,572	200,787	19,344	19,332	19,367	19,313	55,898
86,167	0,238	0,512	0,979	0,185	-0,052	0,426	0,664	64,499	19,277	22,856	15,172	189,690	19,346	19,324	19,371	19,319	55,921
86,500	0,240	0,515	0,970	0,181	0,002	0,425	0,664	64,539	19,312	22,884	24,185	185,980	19,337	19,344	19,380	19,320	55,950
86,833	0,240	0,513	0,972	0,186	0,052	0,427	0,664	64,543	19,312	22,815	27,650	190,488	19,334	19,327	19,369	19,315	55,980
87,167	0,239	0,511	0,968	0,183	-0,019	0,427	0,664	64,583	19,343	22,759	30,597	190,427	19,341	19,339	19,379	19,321	56,010
87,500	0,237	0,511	0,982	0,182	0,005	0,428	0,662	64,604	19,347	22,780	27,012	191,286	19,345	19,331	19,381	19,324	55,999
87,833	0,237	0,510	0,974	0,183	0,046	0,430	0,662	64,608	19,387	22,810	29,006	193,732	19,344	19,343	19,386	19,326	55,999
88,167	0,239	0,505	0,970	0,180	0,082	0,434	0,662	64,637	19,324	22,828	29,787	205,743	19,349	19,332	19,373	19,321	56,035
88,500	0,241	0,503	0,967	0,181	-0,024	0,435	0,662	64,664	19,260	22,772	22,737	192,011	19,345	19,331	19,380	19,320	56,054
88,833	0,239	0,505	0,981	0,177	0,049	0,434	0,663	64,689	19,266	22,806	18,504	201,262	19,347	19,349	19,384	19,332	56,083
89,167	0,238	0,505	0,972	0,176	-0,016	0,433	0,662	64,700	19,259	22,793	22,299	186,125	19,335	19,337	19,373	19,323	55,969
89,500	0,240	0,506	0,965	0,183	0,002	0,434	0,662	64,713	19,220	22,875	28,845	188,823	19,347	19,339	19,381	19,325	55,983
89,834	0,241	0,500	0,973	0,189	0,052	0,440	0,660	64,747	19,242	22,861	37,359	198,555	19,326	19,334	19,367	19,325	56,018
90,167	0,238	0,493	0,972	0,184	0,050	0,444	0,661	64,772	19,263	22,838	24,990	188,356	19,337	19,347	19,374	19,325	55,998
90,500	0,238	0,490	0,976	0,183	0,020	0,446	0,660	64,799	19,209	22,845	20,068	203,113	19,341	19,343	19,380	19,327	56,004
90,834	0,240	0,489	0,975	0,187	0,000	0,447	0,660	64,854	19,274	22,834	20,190	180,232	19,344	19,336	19,375	19,331	56,042
91,167	0,237	0,491	0,975	0,181	-0,014	0,443	0,660	64,829	19,254	22,827	22,859	195,838	19,352	19,348	19,382	19,330	55,613
91,500	0,236	0,499	0,965	0,186	0,094	0,438	0,660	64,847	19,281	22,836	27,154	194,884	19,341	19,334	19,391	19,331	55,710
91,833	0,237	0,500	0,978	0,191	0,060	0,439	0,660	64,865	19,282	22,838	22,690	201,312	19,344	19,340	19,371	19,328	55,775
92,167	0,241	0,495	0,972	0,182	0,031	0,442	0,659	64,923	19,254	22,883	26,629	192,704	19,349	19,336	19,370	19,330	56,052
92,500	0,244	0,496	0,968	0,188	-0,047	0,439	0,659	64,938	19,275	22,941	21,519	193,628	19,341	19,332	19,370	19,331	56,283
92,833	0,242	0,501	0,964	0,181	0,078	0,436	0,659	65,003	19,250	22,973	29,584	192,944	19,350	19,343	19,389	19,334	56,303
93,167	0,242	0,502	0,970	0,183	0,077	0,436	0,659	64,992	19,225	22,982	20,903	207,983	19,349	19,348	19,396	19,335	56,266
93,500	0,241	0,502	0,971	0,191	-0,048	0,434	0,659	65,030	19,215	22,976	16,368	186,238	19,345	19,357	19,389	19,337	56,210
93,833	0,242	0,504	0,975	0,189	0,069	0,434	0,659	65,041	19,261	22,945	25,890	187,936	19,357	19,344	19,384	19,336	56,200
94,167	0,244	0,500	0,973	0,184	-0,017	0,438	0,659	65,060	19,067	22,914	30,063	192,897	19,372	19,342	19,383	19,340	56,214
94,500	0,244	0,494	0,969	0,185	0,074	0,445	0,659	65,061	19,104	22,941	20,918	202,316	19,354	19,355	19,385	19,341	56,269
94,834	0,244	0,483	0,978	0,180	-0,026	0,454	0,657	65,092	19,114	22,831	16,773	186,094	19,350	19,350	19,383	19,335	56,276

Pellematic 56_test cat I_040321.DAT

Category: I

	1103	1105	1106	130	230	101	102	1	2	3	6	7	8	11	
Mättid	T3 inlet load side	T2 inlet boiler	T1 outlet boiler	Flow load side	Flow boiler side	Heat output load side	Heat output boiler	CO chimney	CO2 chimney	O2 chimney	Pstat	Pdyn	Tunnel velocity	Våg	Tidpunkt
Minuter	°C	°C	°C	m³/h	m³/h	W	W	ppm	%	%	Pa	Pa	m/s	kg	Klockan
83,167	41,597	55,984	69,901	0,465	0,477	7638,101	7596,899	101,870	7,992	12,546	3,627	39,284	8,092	16,565	2021-03-04 09:45
83,500	41,595	56,027	69,934	0,466	0,477	7565,372	7595,620	98,588	8,069	12,515	3,606	39,026	8,065	16,565	2021-03-04 09:46
83,834	41,615	56,226	69,946	0,466	0,477	7610,533	7490,796	99,763	7,911	12,688	3,607	38,895	8,051	16,565	2021-03-04 09:46
84,167	41,668	56,268	69,975	0,466	0,477	7581,139	7486,891	103,687	7,819	12,760	3,698	38,712	8,032	16,471	2021-03-04 09:46
84,500	41,707	56,278	69,992	0,465	0,477	7562,406	7488,738	102,367	7,929	12,665	3,427	38,932	8,055	16,470	2021-03-04 09:47
84,833	41,724	56,298	70,009	0,467	0,477	7593,747	7486,165	103,710	7,908	12,709	3,628	39,133	8,076	16,470	2021-03-04 09:47
85,167	41,775	56,308	70,025	0,468	0,477	7589,876	7489,120	108,504	7,768	12,858	3,562	38,864	8,048	16,565	2021-03-04 09:47
85,500	41,799	56,313	70,026	0,468	0,476	7587,570	7482,128	108,221	7,603	13,014	3,570	38,996	8,062	16,470	2021-03-04 09:48
85,833	41,816	56,335	70,029	0,467	0,477	7578,128	7477,100	108,546	7,654	12,957	3,532	38,934	8,055	16,471	2021-03-04 09:48
86,167	41,824	56,369	70,051	0,467	0,477	7577,633	7469,519	100,277	7,850	12,772	3,706	39,028	8,065	16,470	2021-03-04 09:48
86,500	41,872	56,388	70,098	0,467	0,477	7570,254	7482,922	103,120	7,869	12,759	3,627	38,826	8,044	16,471	2021-03-04 09:49
86,833	41,905	56,410	70,092	0,467	0,477	7567,182	7469,558	104,060	7,808	12,799	3,717	38,839	8,046	16,471	2021-03-04 09:49
87,167	41,915	56,433	70,111	0,467	0,477	7581,006	7469,810	98,781	7,765	12,824	3,663	38,684	8,030	16,471	2021-03-04 09:49
87,500	41,921	56,454	70,118	0,468	0,477	7592,389	7457,304	94,233	7,770	12,831	3,639	39,303	8,094	16,346	2021-03-04 09:50
87,833	41,957	56,453	70,120	0,468	0,477	7566,929	7465,627	96,078	7,739	12,901	3,662	39,091	8,072	16,346	2021-03-04 09:50
88,167	41,981	56,457	70,159	0,468	0,477	7569,979	7479,307	104,081	7,597	13,023	3,598	38,625	8,023	16,346	2021-03-04 09:50
88,500	41,982	56,480	70,176	0,468	0,477	7581,380	7479,075	103,969	7,580	13,037	3,619	38,854	8,047	16,346	2021-03-04 09:51
88,833	41,987	56,503	70,203	0,469	0,477	7603,561	7482,281	99,774	7,642	13,006	3,545	39,323	8,096	16,470	2021-03-04 09:51
89,167	42,022	56,515	70,203	0,469	0,477	7522,851	7472,381	97,757	7,636	12,998	3,524	38,698	8,031	16,346	2021-03-04 09:51
89,500	42,050	56,551	70,222	0,469	0,477	7514,881	7464,029	103,975	7,637	13,007	3,652	38,578	8,018	16,346	2021-03-04 09:52
89,834	42,056	56,633	70,278	0,469	0,477	7541,914	7449,331	106,614	7,437	13,191	3,779	39,016	8,064	16,216	2021-03-04 09:52
90,167	42,056	56,672	70,282	0,468	0,477	7518,007	7432,274	98,174	7,297	13,318	3,674	38,898	8,052	16,253	2021-03-04 09:52
90,500	42,071	56,690	70,310	0,468	0,477	7513,642	7439,663	99,098	7,231	13,390	3,654	39,198	8,083	16,253	2021-03-04 09:53
90,834	42,092	56,712	70,321	0,470	0,477	7541,250	7430,475	101,949	7,218	13,417	3,744	38,732	8,035	16,252	2021-03-04 09:53
91,167	42,091	56,715	70,325	0,469	0,477	7301,452	7433,660	93,739	7,329	13,291	3,626	38,918	8,054	16,253	2021-03-04 09:53
91,500	42,092	56,833	70,361	0,470	0,477	7361,357	7386,432	92,213	7,501	13,131	3,714	38,577	8,018	16,253	2021-03-04 09:54
91,833	42,101	57,023	70,370	0,469	0,477	7386,309	7291,359	98,313	7,451	13,184	3,814	39,123	8,075	16,253	2021-03-04 09:54
92,167	42,119	57,023	70,382	0,469	0,477	7524,074	7294,270	109,190	7,364	13,248	3,650	38,807	8,042	16,253	2021-03-04 09:54
92,500	42,142	56,958	70,413	0,469	0,477	7636,303	7347,801	111,861	7,416	13,178	3,756	38,478	8,008	16,159	2021-03-04 09:55
92,833	42,157	56,785	70,398	0,469	0,477	7638,632	7436,797	107,694	7,526	13,090	3,629	38,642	8,025	16,159	2021-03-04 09:55
93,167	42,168	56,744	70,429	0,470	0,477	7619,399	7475,250	108,585	7,559	13,066	3,665	38,861	8,048	16,159	2021-03-04 09:55
93,500	42,186	56,747	70,448	0,469	0,477	7576,060	7486,562	104,812	7,585	13,028	3,823	38,837	8,045	16,159	2021-03-04 09:56
93,833	42,206	56,811	70,455	0,469	0,477	7557,699	7454,761	109,087	7,599	13,034	3,771	39,081	8,071	16,159	2021-03-04 09:56
94,167	42,214	56,873	70,469	0,468	0,477	7548,664	7429,212	113,064	7,475	13,137	3,682	38,692	8,030	16,159	2021-03-04 09:56
94,500	42,218	56,906	70,506	0,468	0,477	7568,366	7425,731	114,127	7,272	13,347	3,709	38,810	8,043	16,159	2021-03-04 09:57
94,834	42,228	56,916	70,527	0,468	0,477	7562,360	7430,928	113,378	7,002	13,610	3,590	39,154	8,078	16,065	2021-03-04 09:57

Pellematic 56_test cat I_040321.DAT

Category: I

	301	302	304	305	306	308	317	1311	1312	1313	1314	1315	1316	1317	1318	1101	1102
Mättid	CO chimney	CO2 chimney	Pdyn	Pstat	Static pressure chimney	O2 chimney	Våg	Flue gas temp	Ambient	Flue gas at pitot	filter temp 1	filter temp 2	gas meter temp 1	gas meter temp 2	gasmeter temp ambient		T4 outlet load side
Minuter	VDC	VDC	VDC	VDC	VDC	VDC	VDC	°C	°C	°C	°C	°C	°C	°C	°C	°C	°C
95,167	0,243	0,476	0,982	0,181	-0,007	0,459	0,658	65,125	19,062	22,885	26,406	190,750	19,362	19,363	19,394	19,340	56,288
95,500	0,242	0,472	0,973	0,184	0,061	0,461	0,658	65,174	19,073	22,909	26,260	189,550	19,359	19,348	19,391	19,341	56,065
95,834	0,242	0,471	0,976	0,181	-0,029	0,463	0,657	65,202	19,000	22,926	23,085	204,590	19,341	19,354	19,383	19,338	55,860
96,167	0,242	0,466	0,981	0,180	0,003	0,467	0,656	65,187	19,035	22,889	20,289	204,425	19,353	19,359	19,391	19,345	56,024
96,500	0,247	0,460	0,971	0,181	0,049	0,471	0,657	65,209	19,062	22,934	22,355	189,897	19,362	19,369	19,397	19,349	56,029
96,834	0,248	0,461	0,962	0,183	0,012	0,468	0,657	65,169	19,082	22,951	24,613	192,640	19,359	19,353	19,392	19,343	56,046
97,167	0,246	0,470	0,973	0,183	0,006	0,459	0,657	65,192	19,178	22,961	23,380	232,962	19,375	19,355	19,388	19,344	56,054
97,500	0,248	0,477	0,968	0,187	0,069	0,457	0,656	65,225	19,299	23,005	13,899	244,729	19,355	19,358	19,387	19,347	56,047
97,833	0,249	0,472	0,961	0,191	0,010	0,461	0,657	65,286	19,237	22,972	16,517	194,449	19,369	19,362	19,389	19,354	56,077
98,167	0,250	0,470	0,967	0,183	0,008	0,462	0,656	65,321	19,220	22,989	26,739	195,730	19,361	19,359	19,393	19,351	56,075
98,500	0,251	0,471	0,970	0,187	0,022	0,459	0,656	65,358	19,202	22,964	20,102	218,693	19,363	19,357	19,393	19,349	56,060
98,833	0,250	0,479	0,975	0,181	0,063	0,452	0,656	65,371	19,233	22,909	23,837	191,999	19,367	19,369	19,406	19,357	56,068
99,167	0,250	0,487	0,974	0,186	0,005	0,447	0,656	65,390	19,267	22,904	19,133	190,520	19,361	19,366	19,387	19,353	56,081
99,500	0,251	0,489	0,968	0,189	-0,015	0,447	0,656	65,432	19,278	22,927	23,378	188,693	19,363	19,363	19,398	19,353	56,086
99,833	0,250	0,487	0,974	0,188	0,043	0,449	0,656	65,454	19,259	22,892	25,840	211,888	19,361	19,367	19,408	19,354	56,109
100,167	0,247	0,483	0,965	0,193	0,053	0,452	0,655	65,459	19,223	22,897	21,240	189,495	19,365	19,365	19,399	19,349	56,116
100,500	0,249	0,477	0,965	0,190	-0,016	0,456	0,655	65,448	19,237	22,845	22,841	189,253	19,371	19,367	19,399	19,355	56,137
100,833	0,252	0,475	0,978	0,183	0,060	0,459	0,654	65,485	19,239	22,845	23,426	210,566	19,358	19,370	19,403	19,353	56,137
101,167	0,259	0,472	0,970	0,188	0,003	0,462	0,655	65,474	19,243	22,898	30,395	197,531	19,367	19,365	19,399	19,355	56,157
101,500	0,257	0,471	0,974	0,184	0,037	0,461	0,654	65,454	19,231	22,898	26,091	194,291	19,367	19,370	19,406	19,351	56,165
101,834	0,251	0,477	0,976	0,187	0,032	0,456	0,654	65,518	19,246	22,904	25,490	211,994	19,364	19,375	19,403	19,354	56,132
102,167	0,249	0,479	0,970	0,193	0,035	0,455	0,655	65,565	19,243	22,929	20,478	196,543	19,363	19,371	19,399	19,353	56,155
102,500	0,255	0,479	0,964	0,193	-0,006	0,456	0,654	65,591	19,252	22,942	24,219	190,513	19,381	19,380	19,415	19,360	56,151
102,834	0,257	0,478	0,978	0,187	0,081	0,456	0,654	65,571	19,260	22,896	22,880	214,233	19,364	19,372	19,393	19,353	56,152
103,167	0,254	0,480	0,969	0,184	0,005	0,453	0,654	65,615	19,214	22,965	20,814	186,759	19,354	19,362	19,393	19,356	56,163
103,500	0,251	0,482	0,964	0,187	0,001	0,452	0,652	65,657	19,231	22,987	15,620	190,047	19,361	19,354	19,397	19,354	56,151
103,834	0,247	0,482	0,960	0,188	0,033	0,453	0,653	65,694	19,234	22,929	17,121	190,956	19,363	19,377	19,407	19,355	56,192
104,167	0,245	0,479	0,965	0,186	-0,024	0,456	0,652	65,740	19,253	23,006	23,592	189,634	19,387	19,382	19,416	19,370	56,193
104,500	0,245	0,475	0,978	0,183	0,043	0,459	0,652	65,780	19,230	22,901	20,545	207,495	19,381	19,382	19,409	19,363	56,232
104,833	0,244	0,471	0,971	0,184	0,038	0,462	0,652	65,775	19,246	22,899	22,906	212,004	19,377	19,376	19,406	19,359	56,263
105,167	0,244	0,471	0,973	0,194	0,057	0,461	0,652	65,779	19,217	22,940	14,778	200,919	19,372	19,373	19,400	19,362	56,231
105,500	0,242	0,473	0,973	0,187	0,003	0,460	0,652	65,771	19,253	22,965	19,280	201,819	19,382	19,378	19,413	19,362	56,193
105,833	0,239	0,478	0,974	0,188	0,038	0,454	0,652	65,796	19,236	22,927	21,112	188,673	19,370	19,379	19,406	19,364	56,236
106,167	0,236	0,484	0,975	0,181	0,033	0,449	0,652	65,815	19,239	22,953	23,122	186,918	19,373	19,371	19,405	19,361	56,213
106,500	0,238	0,489	0,961	0,183	0,002	0,447	0,651	65,846	19,254	22,966	17,171	185,872	19,374	19,369	19,407	19,361	56,216
106,833	0,241	0,487	0,971	0,186	-0,027	0,450	0,651	65,911	19,256	22,986	17,500	191,082	19,370	19,377	19,415	19,362	56,204

Pellematic 56_test cat I_040321.DAT

Category: I

	1103	1105	1106	130	230	101	102	1	2	3	6	7	8	11	
Mättid	T3 inlet load side	T2 inlet boiler	T1 outlet boiler	Flow load side	Flow boiler side	Heat output load side	Heat output boiler	CO chimney	CO2 chimney	O2 chimney	Pstat	Pdyn	Tunnel velocity	Våg	Tidpunkt
Minuter	°C	°C	°C	m³/h	m³/h	W	W	ppm	%	%	Pa	Pa	m/s	kg	Klockan
95,167	42,243	56,924	70,544	0,468	0,477	7565,034	7441,688	108,666	6,866	13,766	3,616	39,116	8,074	16,065	2021-03-04 09:57
95,500	42,248	56,957	70,574	0,468	0,477	7441,243	7434,024	109,089	6,809	13,827	3,671	38,675	8,029	16,065	2021-03-04 09:58
95,834	42,259	57,006	70,559	0,469	0,477	7343,289	7403,401	105,979	6,749	13,879	3,619	39,094	8,072	16,103	2021-03-04 09:58
96,167	42,268	57,224	70,581	0,469	0,477	7418,174	7297,759	110,189	6,601	14,019	3,599	39,098	8,072	16,065	2021-03-04 09:58
96,500	42,276	57,305	70,602	0,468	0,477	7404,715	7263,299	123,228	6,468	14,140	3,626	38,725	8,034	16,065	2021-03-04 09:59
96,834	42,281	57,268	70,604	0,468	0,477	7408,257	7285,525	120,505	6,558	14,039	3,661	38,501	8,011	16,065	2021-03-04 09:59
97,167	42,283	57,262	70,625	0,469	0,477	7428,190	7298,467	118,842	6,830	13,761	3,656	39,009	8,063	16,065	2021-03-04 09:59
97,500	42,289	57,267	70,634	0,469	0,477	7420,951	7302,016	124,784	6,902	13,709	3,745	38,685	8,030	15,971	2021-03-04 10:00
97,833	42,293	57,284	70,651	0,468	0,477	7421,083	7302,504	125,535	6,771	13,833	3,814	38,294	7,989	16,021	2021-03-04 10:00
98,167	42,294	57,292	70,675	0,468	0,477	7421,782	7311,587	127,719	6,747	13,856	3,650	38,675	8,029	15,971	2021-03-04 10:00
98,500	42,300	57,311	70,662	0,469	0,477	7429,028	7292,826	130,242	6,810	13,777	3,734	38,910	8,053	16,065	2021-03-04 10:01
98,833	42,311	57,313	70,673	0,468	0,477	7404,620	7299,909	127,639	7,028	13,558	3,622	39,165	8,079	15,971	2021-03-04 10:01
99,167	42,321	57,324	70,689	0,467	0,477	7403,367	7302,877	129,990	7,193	13,414	3,720	38,981	8,060	15,971	2021-03-04 10:01
99,500	42,330	57,348	70,717	0,468	0,477	7405,700	7300,428	130,580	7,218	13,403	3,773	39,047	8,067	15,971	2021-03-04 10:02
99,833	42,336	57,361	70,725	0,468	0,477	7417,813	7298,556	124,459	7,150	13,479	3,754	38,519	8,012	15,971	2021-03-04 10:02
100,167	42,341	57,360	70,721	0,467	0,477	7412,086	7298,405	122,676	7,054	13,568	3,863	38,463	8,007	15,846	2021-03-04 10:02
100,500	42,350	57,372	70,747	0,467	0,477	7418,157	7309,148	125,090	6,911	13,683	3,807	38,475	8,008	15,971	2021-03-04 10:03
100,833	42,380	57,381	70,741	0,467	0,477	7397,718	7301,030	135,689	6,851	13,763	3,650	39,138	8,076	15,846	2021-03-04 10:03
101,167	42,386	57,395	70,764	0,467	0,477	7400,457	7304,309	153,483	6,761	13,860	3,768	38,761	8,037	15,971	2021-03-04 10:03
101,500	42,366	57,422	70,762	0,467	0,478	7421,044	7292,279	142,429	6,787	13,825	3,673	38,992	8,061	15,846	2021-03-04 10:04
101,834	42,356	57,440	70,774	0,467	0,478	7404,853	7290,512	127,301	6,976	13,672	3,748	39,047	8,067	15,846	2021-03-04 10:04
102,167	42,374	57,447	70,789	0,466	0,478	7391,719	7294,213	126,624	6,993	13,643	3,853	38,871	8,049	15,971	2021-03-04 10:04
102,500	42,374	57,450	70,806	0,466	0,478	7385,919	7303,661	145,753	6,940	13,691	3,855	38,951	8,057	15,846	2021-03-04 10:05
102,834	42,346	57,471	70,817	0,467	0,477	7422,559	7293,360	142,504	6,947	13,668	3,737	39,000	8,062	15,846	2021-03-04 10:05
103,167	42,328	57,476	70,833	0,466	0,478	7423,448	7302,630	138,300	7,008	13,594	3,676	38,791	8,041	15,846	2021-03-04 10:05
103,500	42,340	57,484	70,844	0,467	0,477	7416,400	7300,760	127,057	7,048	13,550	3,738	38,550	8,016	15,758	2021-03-04 10:06
103,834	42,348	57,485	70,858	0,466	0,477	7428,538	7305,857	119,523	7,035	13,584	3,766	38,352	7,995	15,753	2021-03-04 10:06
104,167	42,346	57,487	70,866	0,466	0,477	7426,314	7310,139	115,053	6,967	13,674	3,721	38,944	8,057	15,752	2021-03-04 10:06
104,500	42,343	57,492	70,885	0,467	0,478	7463,433	7320,185	114,544	6,851	13,785	3,666	39,165	8,079	15,753	2021-03-04 10:07
104,833	42,340	57,506	70,891	0,467	0,477	7483,571	7314,187	111,440	6,770	13,847	3,684	39,007	8,063	15,753	2021-03-04 10:07
105,167	42,327	57,500	70,897	0,467	0,477	7473,563	7319,157	113,922	6,788	13,831	3,876	38,829	8,045	15,753	2021-03-04 10:07
105,500	42,316	57,522	70,905	0,467	0,477	7453,525	7309,614	106,428	6,819	13,789	3,740	38,871	8,049	15,753	2021-03-04 10:08
105,833	42,319	57,518	70,936	0,466	0,478	7457,220	7334,101	99,354	6,990	13,620	3,770	38,927	8,055	15,753	2021-03-04 10:08
106,167	42,322	57,530	70,954	0,466	0,477	7446,866	7335,873	92,883	7,121	13,477	3,617	38,896	8,051	15,753	2021-03-04 10:08
106,500	42,313	57,543	70,953	0,465	0,477	7442,204	7323,804	101,704	7,226	13,412	3,664	38,434	8,004	15,659	2021-03-04 10:09
106,833	42,292	57,550	70,966	0,466	0,477	7458,221	7330,719	106,570	7,130	13,489	3,712	38,769	8,038	15,659	2021-03-04 10:09

Pellematic 56_test cat I_040321.DAT

Category: I

	301	302	304	305	306	308	317	1311	1312	1313	1314	1315	1316	1317	1318	1101	1102
Mättid	CO chimney	CO2 chimney	Pdyn	Pstat	Static pressure chimney	O2 chimney	Våg	Flue gas temp	Ambient	Flue gas at pitot	filter temp 1	filter temp 2	gas meter temp 1	gas meter temp 2	gasmeter temp ambient		T4 outlet load side
Minuter	VDC	VDC	VDC	VDC	VDC	VDC	VDC	°C	°C	°C	°C	°C	°C	°C	°C	°C	°C
107,167	0,243	0,486	0,969	0,185	0,080	0,448	0,651	65,971	19,217	23,011	15,554	191,173	19,384	19,371	19,409	19,361	56,222
107,500	0,244	0,491	0,964	0,182	0,031	0,443	0,651	65,979	19,144	23,036	18,783	190,576	19,377	19,373	19,405	19,361	56,220
107,833	0,244	0,494	0,968	0,185	-0,040	0,443	0,651	65,984	19,193	22,973	23,625	192,809	19,377	19,373	19,402	19,361	56,189
108,167	0,248	0,493	0,970	0,192	0,006	0,445	0,651	65,989	19,226	23,016	21,962	190,972	19,375	19,372	19,403	19,360	56,200
108,500	0,252	0,485	0,972	0,201	0,064	0,452	0,651	66,040	19,274	23,014	21,478	193,436	19,384	19,373	19,411	19,363	56,142
108,834	0,251	0,483	0,976	0,190	-0,001	0,450	0,650	66,035	19,295	22,941	23,454	197,811	19,398	19,386	19,428	19,369	56,035
109,167	0,253	0,491	0,969	0,195	0,005	0,444	0,651	66,033	19,284	22,939	25,143	195,698	19,390	19,383	19,413	19,363	56,054
109,500	0,256	0,492	0,971	0,182	0,045	0,445	0,651	66,072	19,289	22,958	23,579	212,717	19,374	19,380	19,409	19,365	56,077
109,834	0,256	0,488	0,966	0,190	0,033	0,447	0,650	66,100	19,287	22,911	18,712	194,864	19,382	19,379	19,406	19,363	56,088
110,167	0,260	0,485	0,964	0,185	0,009	0,450	0,649	66,113	19,286	22,916	24,249	213,053	19,379	19,375	19,415	19,360	56,081
110,500	0,261	0,482	0,982	0,184	0,079	0,453	0,649	66,130	19,316	22,908	19,611	206,647	19,379	19,370	19,404	19,360	56,077
110,834	0,264	0,480	0,975	0,183	0,035	0,455	0,649	66,169	19,366	22,923	20,972	202,713	19,375	19,371	19,409	19,358	56,050
111,167	0,264	0,478	0,976	0,186	0,011	0,457	0,649	66,194	19,360	22,913	17,769	189,459	19,375	19,372	19,406	19,362	56,052
111,500	0,261	0,478	0,968	0,191	0,061	0,456	0,648	66,222	19,336	22,965	28,908	195,544	19,377	19,386	19,407	19,362	56,078
111,833	0,259	0,478	0,975	0,188	0,046	0,456	0,649	66,252	19,320	22,965	20,775	191,069	19,378	19,382	19,407	19,364	56,057
112,167	0,263	0,476	0,967	0,195	-0,001	0,459	0,649	66,277	19,286	22,954	25,724	193,235	19,382	19,380	19,409	19,365	56,056
112,500	0,265	0,471	0,963	0,186	0,063	0,464	0,648	66,278	19,332	22,991	22,301	210,462	19,381	19,382	19,417	19,364	56,035
112,833	0,270	0,467	0,968	0,189	-0,015	0,464	0,648	66,317	19,316	22,943	23,687	192,269	19,383	19,381	19,413	19,366	56,169
113,167	0,266	0,474	0,969	0,185	0,004	0,457	0,647	66,307	19,268	22,916	26,948	210,243	19,386	19,391	19,413	19,370	56,211
113,500	0,262	0,484	0,970	0,189	0,047	0,450	0,648	66,344	19,247	22,963	12,757	226,276	19,383	19,390	19,422	19,369	56,194
113,833	0,263	0,485	0,966	0,183	0,028	0,452	0,648	66,350	19,287	22,973	18,975	193,207	19,382	19,390	19,417	19,370	56,164
114,167	0,265	0,480	0,968	0,188	0,053	0,455	0,647	66,397	19,332	22,983	21,959	191,319	19,379	19,402	19,417	19,373	56,151
114,500	0,263	0,478	0,963	0,193	0,036	0,457	0,648	66,401	19,343	22,948	22,427	210,015	19,392	19,396	19,413	19,370	56,161
114,833	0,260	0,471	0,970	0,187	-0,002	0,464	0,648	66,409	19,336	22,916	22,715	189,851	19,397	19,391	19,410	19,374	56,168
115,167	0,265	0,464	0,976	0,187	0,035	0,469	0,648	66,427	19,353	22,854	21,166	208,853	19,393	19,390	19,413	19,370	56,169
115,500	0,270	0,457	0,968	0,193	0,054	0,476	0,648	66,445	19,328	22,876	21,495	202,546	19,391	19,412	19,422	19,376	56,172
115,833	0,265	0,450	0,974	0,195	0,063	0,478	0,807	66,423	19,346	22,874	28,321	169,236	19,395	19,389	19,405	19,374	56,187
116,167	0,258	0,457	0,970	0,186	0,037	0,472	0,839	66,436	19,366	22,885	22,154	187,270	19,397	19,387	19,419	19,374	56,195
116,500	0,259	0,461	0,962	0,187	-0,031	0,470	0,819	66,460	19,378	22,902	14,367	239,246	19,399	19,400	19,418	19,381	56,045
116,834	0,264	0,458	0,966	0,193	0,023	0,471	0,747	66,454	19,279	22,915	19,460	194,247	19,389	19,397	19,419	19,376	56,057
117,167	0,260	0,464	0,971	0,191	0,004	0,466	0,747	66,489	19,305	22,953	19,499	210,108	19,399	19,399	19,421	19,381	56,113
117,500	0,258	0,469	0,969	0,192	0,002	0,462	0,747	66,522	19,342	22,936	29,564	195,088	19,393	19,400	19,416	19,378	56,134
117,834	0,254	0,473	0,974	0,188	0,035	0,458	0,747	66,532	19,415	22,928	28,536	215,911	19,397	19,400	19,416	19,380	56,143
118,167	0,251	0,478	0,972	0,189	0,051	0,456	0,747	66,534	19,397	22,930	22,721	197,880	19,393	19,403	19,417	19,380	56,150
118,500	0,255	0,476	0,981	0,194	-0,009	0,457	0,746	66,525	19,393	22,912	18,093	187,142	19,402	19,402	19,412	19,379	56,146
118,834	0,255	0,481	0,966	0,193	0,024	0,451	0,747	66,539	19,355	22,951	29,369	199,791	19,396	19,409	19,429	19,384	56,122

Pellematic 56_test cat I_040321.DAT

Category: I

	1103	1105	1106	130	230	101	102	1	2	3	6	7	8	11	
Mättid	T3 inlet load side	T2 inlet boiler	T1 outlet boiler	Flow load side	Flow boiler side	Heat output load side	Heat output boiler	CO chimney	CO2 chimney	O2 chimney	Pstat	Pdyn	Tunnel velocity	Våg	Tidpunkt
Minuter	°C	°C	°C	m³/h	m³/h	W	W	ppm	%	%	Pa	Pa	m/s	kg	Klockan
107,167	42,281	57,567	70,960	0,465	0,478	7466,410	7322,387	112,493	7,175	13,442	3,697	38,946	8,057	15,658	2021-03-04 10:09
107,500	42,272	57,569	70,969	0,464	0,478	7457,163	7324,061	111,271	7,311	13,296	3,631	38,602	8,021	15,659	2021-03-04 10:10
107,833	42,266	57,567	70,989	0,465	0,478	7456,082	7337,791	116,054	7,327	13,285	3,701	38,729	8,034	15,659	2021-03-04 10:10
108,167	42,250	57,567	71,000	0,464	0,478	7458,467	7342,739	127,576	7,299	13,354	3,839	38,783	8,040	15,658	2021-03-04 10:10
108,500	42,229	57,581	71,009	0,464	0,478	7436,449	7340,550	128,927	7,063	13,558	4,026	39,039	8,066	15,659	2021-03-04 10:11
108,834	42,213	57,612	71,024	0,464	0,478	7383,788	7329,895	129,981	7,105	13,507	3,799	39,197	8,083	15,565	2021-03-04 10:11
109,167	42,200	57,678	71,033	0,464	0,477	7399,738	7297,237	138,282	7,336	13,309	3,895	38,738	8,035	15,659	2021-03-04 10:11
109,500	42,194	57,702	71,043	0,465	0,477	7427,620	7288,922	144,247	7,297	13,340	3,631	38,784	8,040	15,659	2021-03-04 10:12
109,834	42,181	57,697	71,045	0,464	0,478	7432,290	7295,960	143,334	7,191	13,422	3,800	38,728	8,034	15,565	2021-03-04 10:12
110,167	42,165	57,705	71,058	0,464	0,478	7433,565	7298,548	156,473	7,110	13,509	3,694	38,378	7,998	15,565	2021-03-04 10:12
110,500	42,155	57,717	71,080	0,465	0,478	7459,523	7307,449	158,778	7,037	13,587	3,676	39,363	8,100	15,565	2021-03-04 10:13
110,834	42,141	57,709	71,086	0,464	0,478	7435,018	7311,479	159,950	6,982	13,651	3,651	38,736	8,035	15,565	2021-03-04 10:13
111,167	42,131	57,713	71,121	0,464	0,477	7442,995	7325,588	163,398	6,929	13,697	3,728	39,001	8,062	15,565	2021-03-04 10:13
111,500	42,125	57,711	71,111	0,464	0,478	7450,800	7322,710	150,486	6,963	13,674	3,814	38,781	8,040	15,565	2021-03-04 10:14
111,833	42,122	57,726	71,133	0,465	0,478	7459,168	7326,673	150,833	6,936	13,693	3,753	38,964	8,059	15,565	2021-03-04 10:14
112,167	42,105	57,722	71,140	0,465	0,478	7474,066	7335,450	162,460	6,879	13,764	3,907	38,639	8,025	15,565	2021-03-04 10:14
112,500	42,096	57,729	71,148	0,465	0,478	7464,598	7335,841	168,246	6,715	13,915	3,715	38,557	8,016	15,471	2021-03-04 10:15
112,833	42,093	57,724	71,157	0,465	0,478	7530,806	7342,516	178,912	6,687	13,915	3,782	38,801	8,042	15,471	2021-03-04 10:15
113,167	42,092	57,696	71,177	0,465	0,478	7559,208	7369,565	163,253	6,892	13,700	3,702	38,675	8,029	15,471	2021-03-04 10:15
113,500	42,092	57,641	71,200	0,466	0,477	7560,681	7409,196	157,351	7,121	13,509	3,772	38,656	8,027	15,471	2021-03-04 10:16
113,833	42,078	57,622	71,181	0,466	0,478	7549,940	7411,495	160,696	7,085	13,564	3,670	38,735	8,035	15,471	2021-03-04 10:16
114,167	42,063	57,619	71,183	0,465	0,478	7542,490	7415,295	166,159	6,987	13,635	3,761	38,652	8,026	15,471	2021-03-04 10:16
114,500	42,070	57,624	71,210	0,466	0,478	7560,830	7424,916	159,790	6,912	13,722	3,864	38,599	8,021	15,470	2021-03-04 10:17
114,833	42,076	57,626	71,214	0,465	0,477	7549,209	7423,357	155,558	6,711	13,910	3,731	38,881	8,050	15,471	2021-03-04 10:17
115,167	42,066	57,609	71,233	0,466	0,478	7564,582	7446,807	171,102	6,558	14,066	3,743	39,058	8,068	15,471	2021-03-04 10:17
115,500	42,055	57,616	71,249	0,466	0,478	7568,689	7454,052	179,250	6,368	14,267	3,867	38,759	8,037	15,471	2021-03-04 10:18
115,833	42,056	57,624	71,244	0,466	0,478	7575,404	7445,100	159,729	6,262	14,333	3,897	38,860	8,048	35,475	2021-03-04 10:18
116,167	42,055	57,627	71,252	0,466	0,477	7579,297	7444,655	146,776	6,465	14,149	3,727	38,752	8,037	19,231	2021-03-04 10:18
116,500	42,053	57,632	71,258	0,465	0,478	7496,450	7448,428	153,671	6,514	14,114	3,741	38,626	8,023	21,755	2021-03-04 10:19
116,834	42,050	57,666	71,277	0,462	0,478	7452,887	7441,422	164,233	6,455	14,145	3,851	38,543	8,015	21,756	2021-03-04 10:19
117,167	42,047	57,755	71,262	0,455	0,478	7370,613	7387,022	150,830	6,628	13,981	3,825	38,961	8,058	21,662	2021-03-04 10:19
117,500	42,040	57,909	71,271	0,456	0,478	7402,453	7304,604	146,095	6,746	13,874	3,841	38,766	8,038	21,662	2021-03-04 10:20
117,834	42,043	57,958	71,269	0,455	0,478	7392,733	7278,689	132,289	6,870	13,736	3,764	39,038	8,066	21,662	2021-03-04 10:20
118,167	42,060	57,973	71,288	0,456	0,478	7397,196	7278,329	133,315	6,961	13,673	3,778	38,804	8,042	21,662	2021-03-04 10:20
118,500	42,063	57,974	71,318	0,456	0,478	7393,159	7296,119	140,999	6,904	13,696	3,886	39,421	8,106	21,661	2021-03-04 10:21
118,834	42,052	57,990	71,320	0,456	0,477	7387,870	7283,234	136,877	7,082	13,538	3,859	38,572	8,018	21,662	2021-03-04 10:21

Pellematic 56_test cat I_040321.DAT

Category: I

	301	302	304	305	306	308	317	1311	1312	1313	1314	1315	1316	1317	1318	1101	1102
Mättid	CO chimney	CO2 chimney	Pdyn	Pstat	Static pressure chimney	O2 chimney	Våg	Flue gas temp	Ambient	Flue gas at pitot	filter temp 1	filter temp 2	gas meter temp 1	gas meter temp 2	gasmeter temp ambient		T4 outlet load side
Minuter	VDC	VDC	VDC	VDC	VDC	VDC	VDC	°C	°C	°C	°C	°C	°C	°C	°C	°C	°C
119,167	0,250	0,482	0,971	0,189	-0,018	0,454	0,746	66,549	19,370	22,998	26,527	219,159	19,393	19,406	19,423	19,382	56,139
119,500	0,251	0,474	0,974	0,188	0,065	0,460	0,746	66,580	19,404	23,046	25,346	199,258	19,398	19,405	19,425	19,383	56,131
119,833	0,253	0,470	0,967	0,195	0,000	0,462	0,745	66,620	19,416	23,070	19,119	208,186	19,400	19,408	19,432	19,386	56,147
120,167	0,248	0,474	0,966	0,194	0,050	0,455	0,798	66,671	19,403	23,064	25,678	210,499	19,405	19,411	19,425	19,388	56,131
120,500	0,235	0,491	0,965	0,187	0,019	0,440	0,797	66,695	19,408	22,976	19,362	188,750	19,404	19,397	19,415	19,386	56,158
120,833	0,235	0,501	0,965	0,186	0,005	0,436	0,745	66,732	19,426	22,990	28,437	198,314	19,391	19,416	19,425	19,386	56,168
121,167	0,237	0,497	0,968	0,188	0,047	0,441	0,744	66,744	19,450	22,999	25,358	190,841	19,407	19,408	19,429	19,394	56,173
121,500	0,239	0,492	0,969	0,188	0,042	0,443	0,745	66,752	19,443	22,989	30,933	195,996	19,409	19,405	19,435	19,389	56,181
121,833	0,239	0,494	0,962	0,193	0,023	0,442	0,744	66,747	19,415	23,017	30,457	199,368	19,390	19,401	19,416	19,385	56,169
122,167	0,241	0,495	0,969	0,193	-0,008	0,441	0,744	66,697	19,401	23,026	21,326	229,733	19,403	19,410	19,422	19,389	56,138
122,500	0,244	0,493	0,965	0,186	0,003	0,444	0,745	66,708	19,412	22,959	8,387	223,746	19,397	19,407	19,420	19,390	56,141
122,833	0,245	0,489	0,964	0,194	0,035	0,445	0,744	66,747	19,410	22,947	3,381	196,593	19,403	19,409	19,420	19,393	56,153
123,167	0,245	0,490	0,956	0,191	-0,016	0,446	0,744	66,788	19,458	22,941	25,536	193,378	19,419	19,417	19,435	19,400	55,702
123,500	0,247	0,487	0,967	0,189	0,028	0,449	0,744	66,824	19,468	22,969	25,334	218,309	19,403	19,422	19,430	19,394	55,889
123,833	0,251	0,483	0,967	0,188	0,070	0,451	0,743	66,820	19,322	22,993	12,696	201,525	19,410	19,408	19,429	19,396	55,888
124,167	0,254	0,483	0,967	0,194	-0,023	0,450	0,744	66,847	19,338	23,054	25,740	203,896	19,424	19,423	19,439	19,401	56,069
124,500	0,252	0,489	0,965	0,194	0,001	0,443	0,743	66,871	19,365	23,030	22,427	197,999	19,411	19,419	19,424	19,399	56,366
124,834	0,246	0,498	0,972	0,194	0,002	0,437	0,743	66,854	19,408	23,021	28,597	199,482	19,403	19,407	19,428	19,393	56,284
125,167	0,245	0,500	0,964	0,188	0,006	0,436	0,743	66,898	19,400	23,042	25,401	199,390	19,422	19,426	19,438	19,403	56,234
125,500	0,245	0,502	0,968	0,191	-0,018	0,434	0,742	66,910	19,393	22,993	28,972	196,933	19,415	19,427	19,445	19,403	56,222
125,834	0,242	0,507	0,972	0,190	0,002	0,428	0,742	66,931	19,407	22,978	30,161	204,571	19,413	19,427	19,441	19,404	56,231
126,167	0,239	0,513	0,970	0,198	0,005	0,426	0,742	66,981	19,384	23,024	30,034	199,169	19,419	19,424	19,434	19,404	56,246
126,500	0,241	0,509	0,974	0,191	0,027	0,431	0,742	66,995	19,397	22,989	28,164	218,499	19,418	19,421	19,438	19,405	56,059
126,834	0,240	0,506	0,975	0,188	0,046	0,433	0,742	67,005	19,496	22,975	18,253	184,368	19,416	19,428	19,438	19,408	55,843
127,167	0,242	0,505	0,976	0,197	-0,013	0,433	0,742	67,003	19,515	22,964	19,961	215,555	19,412	19,417	19,443	19,404	55,976
127,500	0,242	0,504	0,970	0,185	0,046	0,434	0,740	67,044	19,519	22,958	21,479	196,566	19,424	19,434	19,438	19,409	55,954
127,833	0,239	0,503	0,971	0,193	0,052	0,435	0,740	67,036	19,521	22,929	20,418	195,138	19,407	19,419	19,433	19,403	55,958
128,167	0,240	0,500	0,975	0,189	-0,022	0,439	0,741	67,070	19,512	22,979	23,736	188,241	19,414	19,418	19,434	19,407	55,954
128,500	0,242	0,494	0,962	0,184	0,037	0,444	0,740	67,054	19,491	22,983	25,451	197,294	19,427	19,441	19,441	19,413	55,951
128,833	0,243	0,491	0,973	0,190	0,007	0,447	0,740	67,086	19,505	23,014	26,167	207,347	19,425	19,435	19,437	19,415	56,427
129,167	0,247	0,483	0,960	0,193	0,004	0,453	0,739	67,125	19,516	22,981	18,696	201,416	19,422	19,427	19,437	19,413	56,303
129,500	0,251	0,478	0,967	0,186	0,003	0,457	0,740	67,112	19,540	23,047	24,824	192,315	19,419	19,427	19,430	19,407	56,316
129,833	0,253	0,475	0,964	0,192	0,009	0,459	0,740	67,127	19,523	23,111	24,957	201,952	19,421	19,416	19,435	19,409	56,222
130,167	0,255	0,476	0,958	0,192	0,004	0,456	0,739	67,167	19,489	23,056	24,150	189,626	19,418	19,427	19,437	19,414	55,926
130,500	0,252	0,478	0,962	0,195	0,009	0,456	0,739	67,197	19,504	23,006	28,263	189,335	19,421	19,436	19,436	19,410	55,946
130,833	0,253	0,476	0,964	0,193	0,010	0,459	0,739	67,225	19,495	23,039	22,774	205,030	19,418	19,433	19,442	19,413	56,025

Pellematic 56_test cat I_040321.DAT

Category: I

	1103	1105	1106	130	230	101	102	1	2	3	6	7	8	11	
Mättid	T3 inlet load side	T2 inlet boiler	T1 outlet boiler	Flow load side	Flow boiler side	Heat output load side	Heat output boiler	CO chimney	CO2 chimney	O2 chimney	Pstat	Pdyn	Tunnel velocity	Våg	Tidpunkt
Minuter	°C	°C	°C	m³/h	m³/h	W	W	ppm	%	%	Pa	Pa	m/s	kg	Klockan
119,167	42,061	57,991	71,302	0,456	0,478	7386,109	7276,596	127,717	6,994	13,623	3,773	39,066	8,069	21,568	2021-03-04 10:21
119,500	42,072	57,990	71,289	0,455	0,478	7370,924	7272,809	129,990	6,805	13,793	3,757	38,907	8,053	21,662	2021-03-04 10:22
119,833	42,072	58,006	71,291	0,456	0,478	7386,346	7266,014	139,652	6,740	13,865	3,892	38,718	8,033	21,568	2021-03-04 10:22
120,167	42,059	58,012	71,291	0,455	0,478	7372,177	7259,471	108,629	6,926	13,649	3,887	38,640	8,025	24,851	2021-03-04 10:22
120,500	42,066	58,025	71,302	0,456	0,478	7401,312	7257,797	88,143	7,396	13,192	3,736	38,623	8,023	24,851	2021-03-04 10:23
120,833	42,090	58,010	71,289	0,456	0,478	7393,481	7255,779	91,375	7,531	13,090	3,719	38,320	7,992	21,568	2021-03-04 10:23
121,167	42,090	58,014	71,294	0,456	0,478	7395,631	7260,216	98,007	7,379	13,232	3,769	38,896	8,051	21,474	2021-03-04 10:23
121,500	42,069	58,028	71,293	0,457	0,478	7424,529	7255,420	102,198	7,302	13,296	3,755	38,710	8,032	21,568	2021-03-04 10:24
121,833	42,056	58,018	71,309	0,457	0,478	7426,441	7264,337	100,609	7,355	13,246	3,859	38,547	8,015	21,474	2021-03-04 10:24
122,167	42,064	58,006	71,325	0,457	0,478	7407,066	7278,404	106,824	7,373	13,230	3,861	38,874	8,049	21,474	2021-03-04 10:24
122,500	42,076	58,012	71,331	0,458	0,478	7411,178	7279,354	116,389	7,298	13,323	3,729	38,563	8,017	21,568	2021-03-04 10:25
122,833	42,090	58,008	71,340	0,457	0,478	7396,689	7284,943	116,294	7,237	13,361	3,873	38,677	8,029	21,474	2021-03-04 10:25
123,167	42,102	58,020	71,350	0,456	0,478	7145,826	7285,647	116,544	7,225	13,393	3,819	38,330	7,993	21,474	2021-03-04 10:25
123,500	42,109	58,161	71,379	0,457	0,478	7247,274	7228,940	122,672	7,167	13,463	3,779	38,789	8,040	21,474	2021-03-04 10:26
123,833	42,111	58,279	71,372	0,457	0,478	7249,167	7155,636	133,008	7,068	13,541	3,753	38,584	8,019	21,351	2021-03-04 10:26
124,167	42,111	58,287	71,383	0,457	0,478	7338,251	7159,135	139,219	7,105	13,488	3,882	38,793	8,041	21,474	2021-03-04 10:26
124,500	42,119	58,297	71,407	0,457	0,478	7489,820	7164,035	129,411	7,299	13,297	3,888	38,677	8,029	21,351	2021-03-04 10:27
124,834	42,130	58,124	71,411	0,457	0,478	7447,010	7266,383	113,873	7,495	13,111	3,886	38,938	8,056	21,474	2021-03-04 10:27
125,167	42,136	58,021	71,410	0,457	0,478	7424,100	7318,620	115,719	7,524	13,076	3,767	38,675	8,029	21,351	2021-03-04 10:27
125,500	42,129	58,057	71,444	0,457	0,478	7411,539	7316,808	115,316	7,559	13,029	3,819	38,628	8,024	21,351	2021-03-04 10:28
125,834	42,123	58,093	71,452	0,457	0,478	7415,548	7304,091	105,085	7,743	12,832	3,802	39,020	8,064	21,351	2021-03-04 10:28
126,167	42,125	58,110	71,479	0,457	0,478	7421,539	7308,207	102,039	7,799	12,790	3,968	39,041	8,066	21,351	2021-03-04 10:28
126,500	42,130	58,101	71,502	0,457	0,478	7325,216	7325,082	105,229	7,672	12,924	3,815	39,042	8,067	21,351	2021-03-04 10:29
126,834	42,129	58,128	71,518	0,457	0,478	7213,623	7331,189	104,698	7,621	12,989	3,756	39,065	8,069	21,351	2021-03-04 10:29
127,167	42,117	58,350	71,552	0,458	0,478	7300,195	7220,713	107,415	7,646	12,986	3,941	39,169	8,080	21,351	2021-03-04 10:29
127,500	42,114	58,412	71,559	0,457	0,478	7282,422	7191,035	106,482	7,589	13,013	3,692	38,889	8,051	21,258	2021-03-04 10:30
127,833	42,127	58,403	71,590	0,457	0,478	7281,689	7212,715	100,359	7,558	13,057	3,862	38,771	8,039	21,258	2021-03-04 10:30
128,167	42,137	58,409	71,607	0,457	0,478	7266,871	7217,225	106,570	7,444	13,183	3,775	38,841	8,046	21,351	2021-03-04 10:30
128,500	42,135	58,422	71,629	0,457	0,478	7273,713	7221,204	109,169	7,320	13,306	3,681	38,584	8,019	21,258	2021-03-04 10:31
128,833	42,131	58,442	71,667	0,457	0,478	7528,481	7229,766	111,210	7,242	13,416	3,810	38,816	8,043	21,258	2021-03-04 10:31
129,167	42,135	58,355	71,696	0,458	0,478	7467,270	7294,573	123,262	7,054	13,580	3,862	38,493	8,010	21,164	2021-03-04 10:31
129,500	42,150	58,192	71,708	0,458	0,478	7461,670	7390,485	131,070	6,912	13,705	3,718	38,659	8,027	21,258	2021-03-04 10:32
129,833	42,175	58,215	71,718	0,457	0,478	7387,047	7385,789	137,146	6,849	13,758	3,842	38,416	8,002	21,258	2021-03-04 10:32
130,167	42,192	58,229	71,730	0,458	0,478	7233,969	7382,752	140,389	6,919	13,683	3,838	38,283	7,988	21,164	2021-03-04 10:32
130,500	42,194	58,433	71,759	0,458	0,478	7243,746	7289,980	130,728	6,938	13,678	3,899	38,460	8,006	21,164	2021-03-04 10:33
130,833	42,221	58,580	71,767	0,458	0,478	7278,975	7209,883	136,022	6,882	13,757	3,867	38,615	8,022	21,164	2021-03-04 10:33

Pellematic 56_test cat I_040321.DAT

Category: I

	301	302	304	305	306	308	317	1311	1312	1313	1314	1315	1316	1317	1318	1101	1102
Mättid	CO chimney	CO2 chimney	Pdyn	Pstat	Static pressure chimney	O2 chimney	Våg	Flue gas temp	Ambient	Flue gas at pitot	filter temp 1	filter temp 2	gas meter temp 1	gas meter temp 2	gasmeter temp ambient		T4 outlet load side
Minuter	VDC	VDC	VDC	VDC	VDC	VDC	VDC	°C	°C	°C	°C	°C	°C	°C	°C	°C	°C
131,167	0,253	0,472	0,961	0,186	0,061	0,460	0,739	67,227	19,420	23,061	20,863	205,582	19,421	19,431	19,440	19,414	56,118
131,500	0,255	0,475	0,965	0,191	-0,027	0,457	0,739	67,256	19,488	23,016	28,620	197,541	19,417	19,418	19,436	19,412	56,141
131,834	0,257	0,478	0,973	0,193	0,031	0,455	0,738	67,264	19,478	23,034	26,663	190,608	19,437	19,441	19,451	19,422	56,126
132,167	0,256	0,482	0,976	0,194	-0,023	0,453	0,739	67,260	19,459	23,052	18,679	208,731	19,424	19,438	19,444	19,419	56,145
132,500	0,255	0,481	0,976	0,196	0,069	0,453	0,738	67,308	19,490	23,047	16,706	183,389	19,429	19,434	19,449	19,422	56,181
132,834	0,254	0,480	0,976	0,199	-0,021	0,455	0,737	67,322	19,497	22,962	29,041	198,991	19,432	19,441	19,450	19,422	56,219
133,167	0,249	0,478	0,977	0,190	0,052	0,457	0,738	67,339	19,489	22,960	18,920	206,936	19,420	19,432	19,448	19,422	56,232
133,500	0,250	0,475	0,971	0,189	-0,031	0,459	0,737	67,346	19,537	22,985	26,675	188,936	19,433	19,433	19,441	19,422	56,244
133,834	0,252	0,474	0,969	0,189	-0,004	0,460	0,737	67,334	19,564	23,039	30,950	198,468	19,424	19,437	19,447	19,425	56,263
134,167	0,251	0,476	0,960	0,189	0,003	0,456	0,737	67,341	19,554	23,025	25,108	204,360	19,441	19,440	19,454	19,430	56,280
134,500	0,248	0,482	0,971	0,192	0,022	0,451	0,737	67,317	19,505	23,015	26,480	215,405	19,431	19,436	19,441	19,424	56,289
134,834	0,247	0,489	0,965	0,188	0,021	0,446	0,737	67,383	19,535	22,949	21,704	181,638	19,422	19,445	19,441	19,428	56,220
135,167	0,250	0,489	0,969	0,190	0,002	0,447	0,737	67,422	19,577	22,994	26,709	191,140	19,430	19,447	19,447	19,434	56,244
135,500	0,247	0,485	0,969	0,196	0,018	0,450	0,737	67,424	19,582	23,087	29,750	177,172	19,430	19,439	19,447	19,431	56,252
135,833	0,244	0,482	0,969	0,191	-0,007	0,452	0,736	67,432	19,569	23,034	-5013,441	245,198	19,434	19,440	19,443	19,431	56,263
136,167	0,244	0,482	0,965	0,194	0,022	0,452	0,736	67,454	19,446	23,061	22,264	165,890	19,439	19,443	19,458	19,434	56,278
136,500	0,246	0,484	0,977	0,186	0,071	0,451	0,736	67,483	19,494	22,981	13,387	165,652	19,428	19,439	19,445	19,432	55,799
136,833	0,249	0,484	0,969	0,190	0,002	0,451	0,736	67,474	19,556	23,042	24,704	174,259	19,435	19,447	19,453	19,433	55,944
137,167	0,253	0,483	0,979	0,187	0,008	0,452	0,736	67,498	19,536	23,039	30,039	182,809	19,438	19,441	19,443	19,434	56,071
137,500	0,250	0,485	0,976	0,202	0,002	0,447	0,736	67,518	19,588	23,068	34,562	192,808	19,435	19,431	19,450	19,435	56,093
137,833	0,245	0,494	0,979	0,190	0,014	0,440	0,735	67,542	19,571	23,016	21,254	219,585	19,433	19,443	19,443	19,435	56,341
138,167	0,245	0,499	0,970	0,191	0,037	0,437	0,734	67,569	19,477	23,065	13,331	195,775	19,431	19,447	19,449	19,437	56,473
138,500	0,247	0,500	0,966	0,193	0,026	0,436	0,734	67,571	19,509	23,102	23,471	174,256	19,436	19,436	19,448	19,437	56,474
138,833	0,245	0,504	0,968	0,196	0,030	0,432	0,734	67,600	19,537	23,097	23,529	173,833	19,443	19,444	19,462	19,441	56,489
139,167	0,246	0,510	0,979	0,188	0,028	0,428	0,734	67,643	19,569	23,071	25,746	201,870	19,446	19,451	19,453	19,443	56,506
139,500	0,249	0,509	0,982	0,194	0,039	0,432	0,734	67,639	19,576	23,030	21,368	186,260	19,436	19,459	19,450	19,445	56,475
139,834	0,247	0,501	0,984	0,193	0,004	0,438	0,734	67,673	19,497	23,044	17,515	182,126	19,439	19,453	19,455	19,447	56,460
140,167	0,248	0,499	0,986	0,192	0,037	0,438	0,732	67,657	19,546	23,085	20,473	188,738	19,442	19,455	19,451	19,447	56,513
140,500	0,250	0,498	0,982	0,190	0,014	0,439	0,734	67,698	19,474	23,075	25,616	172,990	19,450	19,457	19,450	19,449	56,576
140,833	0,249	0,499	0,980	0,193	-0,007	0,438	0,732	67,724	19,507	23,123	32,845	181,576	19,448	19,457	19,465	19,454	56,558
141,167	0,251	0,499	0,978	0,191	0,004	0,439	0,732	67,747	19,497	23,127	22,197	193,355	19,453	19,455	19,453	19,449	56,600
141,500	0,254	0,497	0,991	0,189	0,002	0,440	0,732	67,765	19,574	23,125	17,614	191,807	19,446	19,457	19,473	19,453	56,600
141,833	0,257	0,494	0,981	0,197	0,048	0,445	0,732	67,785	19,448	23,161	25,525	177,680	19,441	19,461	19,465	19,455	56,600
142,167	0,257	0,488	0,975	0,195	-0,001	0,449	0,732	67,809	19,473	23,183	23,421	183,723	19,447	19,456	19,463	19,459	56,597
142,500	0,260	0,481	0,972	0,192	0,030	0,456	0,732	67,790	19,433	23,098	21,570	204,663	19,449	19,460	19,467	19,459	56,513
142,834	0,266	0,471	0,975	0,195	0,045	0,464	0,732	67,781	19,435	23,092	22,616	176,693	19,448	19,458	19,454	19,457	56,560

Pellematic 56_test cat I_040321.DAT

Category: I

	1103	1105	1106	130	230	101	102	1	2	3	6	7	8	11	
Mättid	T3 inlet load side	T2 inlet boiler	T1 outlet boiler	Flow load side	Flow boiler side	Heat output load side	Heat output boiler	CO chimney	CO2 chimney	O2 chimney	Pstat	Pdyn	Tunnel velocity	Våg	Tidpunkt
Minuter	°C	°C	°C	m ³ /h	m ³ /h	W	W	ppm	%	%	Pa	Pa	m/s	kg	Klockan
131,167	42,278	58,600	71,777	0,459	0,478	7305,427	7209,440	134,938	6,820	13,800	3,728	38,506	8,011	21,164	2021-03-04 10:33
131,500	42,299	58,569	71,796	0,458	0,478	7291,570	7235,095	142,107	6,925	13,713	3,815	38,966	8,059	21,164	2021-03-04 10:34
131,834	42,299	58,577	71,779	0,458	0,478	7294,307	7221,105	146,355	6,956	13,650	3,868	38,741	8,035	21,070	2021-03-04 10:34
132,167	42,318	58,598	71,797	0,458	0,478	7296,564	7219,378	140,529	7,056	13,576	3,885	38,959	8,058	21,164	2021-03-04 10:34
132,500	42,394	58,618	71,819	0,459	0,478	7280,810	7225,130	141,431	7,026	13,585	3,921	39,182	8,081	21,070	2021-03-04 10:35
132,834	42,446	58,628	71,815	0,458	0,478	7268,547	7212,497	137,188	6,976	13,640	3,971	39,000	8,062	21,070	2021-03-04 10:35
133,167	42,440	58,661	71,814	0,458	0,478	7272,269	7199,016	125,200	6,921	13,701	3,803	39,108	8,073	21,071	2021-03-04 10:35
133,500	42,426	58,692	71,842	0,459	0,478	7301,825	7192,012	130,150	6,862	13,762	3,771	38,769	8,038	21,070	2021-03-04 10:36
133,834	42,493	58,706	71,843	0,459	0,478	7281,817	7188,869	133,850	6,828	13,790	3,785	38,722	8,034	21,071	2021-03-04 10:36
134,167	42,562	58,712	71,857	0,460	0,478	7263,878	7191,058	129,401	6,929	13,692	3,784	38,230	7,982	21,070	2021-03-04 10:36
134,500	42,574	58,769	71,867	0,459	0,479	7241,282	7170,384	120,488	7,087	13,519	3,849	38,706	8,032	21,070	2021-03-04 10:37
134,834	42,536	58,825	71,908	0,459	0,478	7226,964	7161,004	123,633	7,248	13,376	3,761	38,519	8,012	21,070	2021-03-04 10:37
135,167	42,537	58,868	71,941	0,458	0,478	7231,829	7153,510	128,727	7,203	13,404	3,802	38,680	8,029	21,070	2021-03-04 10:37
135,500	42,588	58,889	71,924	0,459	0,479	7215,053	7140,272	116,992	7,087	13,508	3,913	38,734	8,035	21,070	2021-03-04 10:38
135,833	42,626	58,873	71,931	0,458	0,478	7181,068	7145,118	110,019	7,045	13,565	3,811	38,710	8,032	20,976	2021-03-04 10:38
136,167	42,600	58,904	71,956	0,458	0,479	7202,135	7145,913	113,448	7,065	13,558	3,886	38,713	8,033	20,976	2021-03-04 10:38
136,500	42,567	58,945	71,973	0,458	0,479	6970,292	7134,482	118,316	7,099	13,522	3,721	39,000	8,062	20,976	2021-03-04 10:39
136,833	42,604	59,124	71,970	0,458	0,479	7036,029	7031,689	128,010	7,109	13,524	3,802	38,426	8,003	20,976	2021-03-04 10:39
137,167	42,658	59,245	71,990	0,458	0,479	7062,924	6978,504	135,440	7,058	13,553	3,741	39,248	8,088	20,976	2021-03-04 10:39
137,500	42,640	59,232	72,004	0,457	0,479	7076,398	6992,462	123,201	7,177	13,409	4,036	39,031	8,065	20,976	2021-03-04 10:40
137,833	42,579	59,253	72,033	0,457	0,479	7242,069	6994,657	113,031	7,385	13,211	3,795	39,143	8,077	20,851	2021-03-04 10:40
138,167	42,574	59,247	72,030	0,456	0,479	7301,208	6996,569	119,088	7,494	13,122	3,810	38,646	8,026	20,851	2021-03-04 10:40
138,500	42,601	59,058	72,056	0,456	0,479	7288,080	7115,050	118,737	7,519	13,082	3,859	38,527	8,013	20,852	2021-03-04 10:41
138,833	42,594	58,987	72,074	0,457	0,479	7315,159	7167,194	116,273	7,640	12,957	3,912	38,876	8,049	20,851	2021-03-04 10:41
139,167	42,562	58,985	72,087	0,457	0,479	7329,994	7174,189	120,823	7,760	12,851	3,764	39,138	8,076	20,851	2021-03-04 10:41
139,500	42,556	58,993	72,108	0,457	0,479	7315,724	7178,508	124,427	7,675	12,955	3,879	39,211	8,084	20,851	2021-03-04 10:42
139,834	42,588	58,993	72,145	0,456	0,479	7285,237	7201,688	120,504	7,463	13,137	3,864	39,496	8,113	20,851	2021-03-04 10:42
140,167	42,594	59,007	72,157	0,456	0,479	7312,739	7199,225	125,330	7,479	13,149	3,834	39,504	8,114	20,758	2021-03-04 10:42
140,500	42,609	59,018	72,186	0,456	0,479	7334,803	7209,863	127,554	7,462	13,167	3,802	39,113	8,074	20,851	2021-03-04 10:43
140,833	42,632	59,040	72,206	0,456	0,479	7304,544	7208,190	125,621	7,497	13,132	3,862	39,463	8,110	20,758	2021-03-04 10:43
141,167	42,659	59,072	72,229	0,456	0,479	7309,967	7202,562	134,853	7,460	13,169	3,821	38,896	8,051	20,758	2021-03-04 10:43
141,500	42,677	59,093	72,258	0,455	0,479	7292,316	7209,490	139,630	7,427	13,208	3,771	39,801	8,145	20,758	2021-03-04 10:44
141,833	42,703	59,119	72,297	0,455	0,479	7277,728	7214,082	147,693	7,285	13,339	3,931	38,933	8,055	20,758	2021-03-04 10:44
142,167	42,725	59,146	72,310	0,456	0,479	7274,654	7208,217	146,095	7,168	13,464	3,892	38,863	8,048	20,758	2021-03-04 10:44
142,500	42,736	59,168	72,322	0,454	0,479	7205,403	7205,516	156,280	6,969	13,676	3,830	39,230	8,086	20,758	2021-03-04 10:45
142,834	42,752	59,214	72,358	0,454	0,479	7206,470	7196,469	172,113	6,737	13,908	3,900	38,943	8,056	20,758	2021-03-04 10:45

Pellematic 56_test cat I_040321.DAT

Category: I

	301	302	304	305	306	308	317	1311	1312	1313	1314	1315	1316	1317	1318	1101	1102
Mättid	CO chimney	CO2 chimney	Pdyn	Pstat	Static pressure chimney	O2 chimney	Våg	Flue gas temp	Ambient	Flue gas at pitot	filter temp 1	filter temp 2	gas meter temp 1	gas meter temp 2	gasmeter temp ambient		T4 outlet load side
Minuter	VDC	VDC	VDC	VDC	VDC	VDC	VDC	°C	°C	°C	°C	°C	°C	°C	°C	°C	°C
143,167	0,267	0,466	0,980	0,190	-0,017	0,466	0,732	67,781	19,446	23,054	24,353	180,315	19,451	19,462	19,465	19,459	56,596
143,500	0,267	0,467	0,977	0,194	0,004	0,465	0,731	67,809	19,460	23,088	21,845	199,497	19,458	19,455	19,462	19,459	56,638
143,834	0,271	0,465	0,975	0,198	0,067	0,469	0,731	67,850	19,467	23,061	27,323	189,070	19,446	19,465	19,457	19,461	56,614
144,167	0,274	0,458	0,975	0,190	0,001	0,474	0,731	67,862	19,395	23,056	24,466	185,573	19,447	19,471	19,465	19,461	56,638
144,500	0,276	0,456	0,980	0,192	0,019	0,474	0,731	67,892	19,387	23,109	25,966	187,842	19,455	19,473	19,475	19,468	56,704
144,834	0,276	0,458	0,981	0,192	-0,039	0,472	0,731	67,956	19,366	23,116	29,386	203,334	19,456	19,464	19,477	19,468	56,692
145,167	0,273	0,460	0,984	0,196	0,027	0,470	0,731	67,953	19,364	23,174	21,665	178,837	19,460	19,466	19,470	19,469	56,729
145,500	0,273	0,462	0,976	0,191	0,067	0,469	0,731	67,983	19,403	23,155	25,845	182,353	19,470	19,472	19,484	19,473	56,737
145,833	0,268	0,463	0,979	0,190	-0,032	0,467	0,730	67,996	19,387	23,170	26,701	198,504	19,462	19,473	19,470	19,469	56,723
146,167	0,260	0,468	0,979	0,187	0,088	0,463	0,730	68,003	19,403	23,205	19,667	173,567	19,460	19,474	19,483	19,478	56,716
146,500	0,255	0,471	0,987	0,189	-0,042	0,462	0,730	68,010	19,409	23,213	33,163	190,914	19,457	19,465	19,477	19,471	56,706
146,833	0,252	0,471	0,983	0,194	0,003	0,461	0,729	68,049	19,353	23,247	23,147	195,513	19,457	19,476	19,474	19,471	56,737
147,167	0,251	0,471	0,976	0,189	0,073	0,462	0,729	68,070	19,244	23,229	27,231	182,658	19,468	19,478	19,475	19,475	56,749
147,500	0,251	0,471	0,972	0,189	-0,008	0,461	0,728	68,105	19,281	23,247	27,528	176,802	19,462	19,479	19,476	19,475	56,789
147,833	0,250	0,475	0,975	0,196	0,062	0,456	0,729	68,150	19,242	23,231	27,447	187,445	19,471	19,472	19,480	19,478	56,773
148,167	0,250	0,483	0,978	0,192	-0,025	0,449	0,729	68,194	19,246	23,127	24,824	194,588	19,473	19,474	19,480	19,481	56,795
148,500	0,249	0,488	0,978	0,195	0,007	0,447	0,729	68,204	19,183	23,113	20,422	196,631	19,463	19,481	19,479	19,479	56,804
148,833	0,251	0,485	0,978	0,192	0,048	0,452	0,728	68,223	19,140	23,140	26,708	175,464	19,475	19,477	19,485	19,482	56,826
149,167	0,252	0,480	0,985	0,195	-0,034	0,453	0,728	68,238	19,113	23,130	21,229	199,315	19,482	19,479	19,489	19,485	56,828
149,500	0,251	0,484	0,975	0,195	0,002	0,450	0,728	68,238	19,054	23,090	19,122	198,791	19,493	19,472	19,489	19,487	56,801
149,833	0,246	0,489	0,977	0,201	-0,014	0,446	0,728	68,269	18,981	23,041	23,280	184,174	19,480	19,480	19,487	19,485	56,801
150,167	0,244	0,492	0,970	0,195	0,002	0,444	0,728	68,268	19,004	22,997	21,172	201,297	19,486	19,474	19,486	19,488	57,295
150,500	0,247	0,490	0,977	0,194	0,033	0,447	0,728	68,293	19,086	22,972	25,613	183,199	19,482	19,477	19,488	19,487	57,237
150,834	0,246	0,484	0,980	0,199	0,002	0,450	0,728	68,300	19,021	22,951	26,779	202,494	19,472	19,476	19,488	19,489	57,157
151,167	0,245	0,489	0,975	0,199	0,076	0,446	0,728	68,304	19,015	22,948	7,208	182,561	19,474	19,465	19,481	19,490	57,126
151,500	0,246	0,492	0,982	0,191	0,004	0,444	0,728	68,318	19,065	22,920	24,660	184,324	19,463	19,458	19,482	19,487	57,129
151,834	0,244	0,494	0,970	0,193	0,050	0,442	0,728	68,327	18,978	23,026	19,062	184,636	19,473	19,459	19,477	19,488	57,145
152,167	0,243	0,493	0,975	0,189	0,021	0,445	0,728	68,381	19,000	23,020	20,570	183,359	19,470	19,464	19,475	19,492	57,121
152,500	0,242	0,489	0,988	0,195	0,031	0,447	0,726	68,409	19,003	22,940	22,889	183,101	19,472	19,463	19,486	19,494	56,662
152,834	0,240	0,488	0,985	0,190	-0,008	0,448	0,726	68,436	18,981	22,979	27,099	179,577	19,477	19,467	19,482	19,493	56,810
153,167	0,242	0,487	0,978	0,194	0,006	0,449	0,726	68,398	18,935	23,041	30,065	182,650	19,481	19,467	19,478	19,493	56,815
153,500	0,243	0,484	0,980	0,192	0,034	0,452	0,726	68,435	18,977	23,023	26,378	157,370	19,473	19,473	19,484	19,493	57,031
153,833	0,241	0,482	0,973	0,193	0,039	0,452	0,726	68,423	18,978	23,004	23,929	207,706	19,468	19,463	19,484	19,490	57,282
154,167	0,242	0,483	0,983	0,197	-0,031	0,450	0,726	68,470	18,999	23,086	20,222	207,629	19,467	19,473	19,490	19,491	57,164
154,500	0,243	0,487	0,985	0,198	0,003	0,448	0,725	68,497	18,990	23,108	26,241	203,257	19,465	19,471	19,488	19,493	57,198
154,833	0,244	0,486	0,976	0,197	0,028	0,450	0,727	68,532	18,994	23,104	14,921	201,710	19,459	19,462	19,482	19,492	57,194

Pellematic 56_test cat I_040321.DAT

Category: I

	1103	1105	1106	130	230	101	102	1	2	3	6	7	8	11	
Mättid	T3 inlet load side	T2 inlet boiler	T1 outlet boiler	Flow load side	Flow boiler side	Heat output load side	Heat output boiler	CO chimney	CO2 chimney	O2 chimney	Pstat	Pdyn	Tunnel velocity	Våg	Tidpunkt
Minuter	°C	°C	°C	m³/h	m³/h	W	W	ppm	%	%	Pa	Pa	m/s	kg	Klockan
143,167	42,777	59,304	72,364	0,453	0,479	7197,569	7153,073	169,007	6,659	13,974	3,806	39,136	8,076	20,758	2021-03-04 10:45
143,500	42,798	59,333	72,383	0,453	0,479	7212,191	7147,897	171,949	6,685	13,948	3,881	39,140	8,077	20,664	2021-03-04 10:46
143,834	42,805	59,378	72,420	0,452	0,479	7184,060	7145,452	183,532	6,582	14,056	3,969	38,715	8,033	20,664	2021-03-04 10:46
144,167	42,806	59,409	72,424	0,451	0,479	7180,743	7129,287	190,914	6,407	14,206	3,801	39,051	8,067	20,664	2021-03-04 10:46
144,500	42,813	59,439	72,445	0,452	0,479	7222,260	7124,022	193,014	6,415	14,205	3,845	39,034	8,066	20,664	2021-03-04 10:47
144,834	42,820	59,457	72,461	0,451	0,479	7200,882	7122,923	191,601	6,449	14,171	3,843	39,236	8,087	20,758	2021-03-04 10:47
145,167	42,821	59,480	72,483	0,451	0,479	7226,335	7123,240	182,865	6,527	14,094	3,927	39,630	8,127	20,664	2021-03-04 10:47
145,500	42,818	59,506	72,487	0,450	0,479	7209,951	7112,788	184,310	6,556	14,060	3,822	38,978	8,060	20,664	2021-03-04 10:48
145,833	42,810	59,536	72,535	0,450	0,479	7207,028	7121,519	166,193	6,603	14,004	3,803	39,137	8,076	20,570	2021-03-04 10:48
146,167	42,807	59,557	72,551	0,450	0,479	7207,986	7117,651	149,467	6,733	13,877	3,731	39,222	8,085	20,664	2021-03-04 10:48
146,500	42,802	59,558	72,545	0,450	0,479	7198,847	7114,869	137,458	6,779	13,846	3,782	39,833	8,148	20,570	2021-03-04 10:49
146,833	42,797	59,561	72,547	0,450	0,479	7213,630	7114,977	131,789	6,808	13,823	3,882	39,318	8,095	20,570	2021-03-04 10:49
147,167	42,778	59,577	72,566	0,449	0,479	7214,354	7114,714	129,480	6,768	13,849	3,775	38,993	8,062	20,570	2021-03-04 10:49
147,500	42,744	59,604	72,572	0,449	0,479	7251,760	7099,910	130,149	6,786	13,823	3,780	38,712	8,032	20,570	2021-03-04 10:50
147,833	42,717	59,598	72,601	0,449	0,479	7264,032	7119,143	128,052	6,919	13,677	3,910	39,091	8,072	20,570	2021-03-04 10:50
148,167	42,713	59,550	72,617	0,449	0,479	7277,667	7158,104	128,979	7,130	13,477	3,845	39,384	8,102	20,570	2021-03-04 10:50
148,500	42,707	59,529	72,634	0,448	0,479	7269,727	7177,206	127,879	7,218	13,408	3,892	39,066	8,069	20,570	2021-03-04 10:51
148,833	42,679	59,520	72,624	0,447	0,479	7283,657	7179,644	130,400	7,071	13,548	3,838	39,170	8,080	20,476	2021-03-04 10:51
149,167	42,652	59,536	72,663	0,448	0,479	7314,191	7189,170	132,833	7,009	13,602	3,895	39,612	8,125	20,476	2021-03-04 10:51
149,500	42,640	59,540	72,672	0,448	0,479	7308,557	7193,440	130,478	7,121	13,488	3,904	38,698	8,031	20,476	2021-03-04 10:52
149,833	42,643	59,546	72,697	0,447	0,479	7289,455	7204,747	112,214	7,248	13,370	4,012	39,137	8,076	20,476	2021-03-04 10:52
150,167	42,628	59,547	72,714	0,447	0,479	7540,213	7215,163	113,608	7,308	13,319	3,892	38,818	8,043	20,476	2021-03-04 10:52
150,500	42,604	59,478	72,725	0,447	0,479	7523,508	7257,162	121,164	7,223	13,418	3,876	38,890	8,051	20,476	2021-03-04 10:53
150,834	42,592	59,296	72,740	0,448	0,479	7505,439	7361,799	115,702	7,095	13,498	3,973	39,308	8,094	20,476	2021-03-04 10:53
151,167	42,595	59,248	72,748	0,447	0,479	7473,044	7393,340	115,457	7,235	13,390	3,983	39,189	8,082	20,476	2021-03-04 10:53
151,500	42,590	59,280	72,781	0,447	0,479	7472,227	7390,352	120,513	7,315	13,320	3,814	39,562	8,120	20,476	2021-03-04 10:54
151,834	42,563	59,310	72,789	0,447	0,479	7497,159	7379,976	110,424	7,375	13,269	3,868	38,683	8,029	20,476	2021-03-04 10:54
152,167	42,553	59,320	72,804	0,448	0,479	7513,148	7379,312	112,351	7,278	13,355	3,782	38,912	8,053	20,476	2021-03-04 10:54
152,500	42,550	59,304	72,830	0,448	0,479	7275,586	7406,111	108,403	7,206	13,417	3,895	39,539	8,118	20,352	2021-03-04 10:55
152,834	42,543	59,452	72,822	0,447	0,479	7346,939	7327,403	104,621	7,192	13,431	3,791	39,141	8,077	20,454	2021-03-04 10:55
153,167	42,529	59,597	72,854	0,446	0,479	7328,856	7263,515	108,659	7,161	13,471	3,872	39,014	8,064	20,352	2021-03-04 10:55
153,500	42,517	59,618	72,871	0,446	0,479	7445,884	7262,368	110,001	7,066	13,557	3,845	39,027	8,065	20,352	2021-03-04 10:56
153,833	42,519	59,617	72,896	0,445	0,479	7565,001	7276,335	102,286	7,061	13,565	3,862	38,947	8,057	20,351	2021-03-04 10:56
154,167	42,519	59,447	72,909	0,444	0,479	7490,667	7371,430	109,238	7,102	13,509	3,942	39,248	8,088	20,351	2021-03-04 10:56
154,500	42,508	59,382	72,934	0,444	0,479	7502,330	7420,841	112,433	7,179	13,441	3,963	39,315	8,095	20,351	2021-03-04 10:57
154,833	42,497	59,409	72,927	0,443	0,479	7485,811	7403,207	112,688	7,132	13,486	3,932	39,155	8,078	20,476	2021-03-04 10:57

Pellematic 56_test cat I_040321.DAT

Category: I

	301	302	304	305	306	308	317	1311	1312	1313	1314	1315	1316	1317	1318	1101	1102
Mättid	CO chimney	CO2 chimney	Pdyn	Pstat	Static pressure chimney	O2 chimney	Våg	Flue gas temp	Ambient	Flue gas at pitot	filter temp 1	filter temp 2	gas meter temp 1	gas meter temp 2	gasmeter temp ambient		T4 outlet load side
Minuter	VDC	VDC	VDC	VDC	VDC	VDC	VDC	°C	°C	°C	°C	°C	°C	°C	°C	°C	°C
155,167	0,245	0,485	0,981	0,197	0,055	0,450	0,726	68,532	19,075	23,008	4,715	202,832	19,467	19,473	19,492	19,497	57,216
155,500	0,246	0,484	0,979	0,197	-0,021	0,451	0,725	68,546	19,067	23,037	13,687	185,518	19,460	19,469	19,488	19,495	56,739
155,833	0,241	0,487	0,972	0,192	0,065	0,447	0,724	68,558	19,011	23,026	27,916	185,515	19,479	19,470	19,490	19,496	56,841
156,167	0,240	0,487	0,975	0,200	-0,005	0,450	0,724	68,566	19,097	22,958	24,980	187,275	19,473	19,470	19,478	19,497	56,810
156,500	0,242	0,479	0,976	0,197	-0,001	0,457	0,724	68,532	18,999	22,934	22,978	209,724	19,462	19,462	19,471	19,495	56,798
156,833	0,244	0,471	0,979	0,200	0,061	0,463	0,724	68,544	19,011	22,932	23,207	188,594	19,470	19,467	19,483	19,498	57,006
157,167	0,245	0,468	0,976	0,196	-0,006	0,464	0,724	68,565	19,030	22,841	21,481	207,615	19,471	19,471	19,494	19,498	57,302
157,500	0,247	0,468	0,981	0,193	0,007	0,464	0,724	68,569	18,970	22,933	24,544	195,605	19,470	19,472	19,489	19,501	57,154
157,833	0,251	0,467	0,972	0,202	0,003	0,464	0,724	68,561	19,069	22,946	24,932	194,443	19,463	19,466	19,489	19,498	57,167
158,167	0,251	0,471	0,970	0,194	0,061	0,460	0,723	68,605	19,083	22,998	31,690	203,859	19,465	19,469	19,488	19,498	57,161
158,500	0,246	0,476	0,979	0,188	-0,010	0,457	0,723	68,616	19,089	23,000	22,356	211,785	19,461	19,469	19,479	19,498	57,185
158,834	0,244	0,481	0,977	0,199	0,002	0,452	0,723	68,649	19,053	23,004	23,210	192,599	19,479	19,471	19,487	19,499	56,921
159,167	0,246	0,484	0,977	0,204	0,028	0,451	0,723	68,677	19,001	23,051	20,953	204,534	19,468	19,477	19,492	19,503	56,756
159,500	0,248	0,481	0,971	0,198	-0,004	0,455	0,723	68,704	19,073	23,049	22,271	193,807	19,471	19,477	19,488	19,501	56,837
159,834	0,249	0,477	0,966	0,201	0,002	0,456	0,723	68,696	19,120	23,047	25,597	198,231	19,477	19,476	19,499	19,503	57,002
160,167	0,247	0,480	0,979	0,198	0,056	0,452	0,723	68,719	19,149	23,051	23,108	188,310	19,470	19,473	19,486	19,500	57,197
160,500	0,244	0,484	0,977	0,196	-0,021	0,451	0,723	68,718	19,163	23,093	21,050	185,235	19,475	19,475	19,498	19,502	57,191
160,834	0,247	0,483	0,970	0,197	0,003	0,452	0,722	68,705	19,149	23,047	33,453	199,528	19,481	19,483	19,485	19,505	57,151
161,167	0,251	0,480	0,976	0,194	0,006	0,454	0,721	68,764	19,072	23,118	31,615	198,662	19,473	19,487	19,487	19,505	57,069
161,500	0,251	0,483	0,985	0,194	0,055	0,451	0,721	68,779	19,242	23,098	27,560	216,161	19,485	19,488	19,493	19,511	57,022
161,833	0,252	0,483	0,976	0,197	0,042	0,451	0,721	68,783	19,201	23,141	24,524	187,972	19,470	19,478	19,483	19,504	56,996
162,167	0,255	0,482	0,977	0,201	0,047	0,453	0,721	68,799	19,213	23,140	29,064	191,860	19,475	19,485	19,483	19,505	56,990
162,500	0,260	0,477	0,976	0,195	0,010	0,457	0,721	68,787	19,234	23,126	30,716	200,918	19,487	19,489	19,496	19,505	56,986
162,833	0,261	0,477	0,974	0,197	0,002	0,455	0,721	68,791	19,107	23,176	24,788	205,510	19,478	19,488	19,487	19,505	56,962
163,167	0,258	0,482	0,978	0,197	0,068	0,451	0,721	68,772	19,198	23,109	20,292	186,006	19,469	19,491	19,490	19,507	56,990
163,500	0,252	0,484	0,957	0,201	-0,011	0,450	0,721	68,807	19,256	23,111	6,183	191,104	19,480	19,500	19,503	19,509	56,932
163,833	0,252	0,482	0,966	0,198	0,005	0,455	0,721	68,872	19,223	23,099	-5014,727	198,507	19,480	19,495	19,496	19,511	56,935
164,167	0,253	0,474	0,971	0,198	0,056	0,460	0,720	68,885	19,159	23,177	-5055,091	139,952	19,478	19,501	19,504	19,515	56,939
164,500	0,253	0,470	0,969	0,195	-0,019	0,462	0,720	68,892	19,201	23,188	-5070,178	161,312	19,489	19,500	19,493	19,515	56,942
164,833	0,253	0,474	0,967	0,199	0,011	0,457	0,720	68,879	19,167	23,167	-5011,984	197,910	19,477	19,487	19,490	19,505	56,941
165,167	0,253	0,478	0,970	0,199	0,023	0,457	0,720	68,901	19,163	23,248	-91,376	170,901	19,483	19,516	19,505	19,516	56,954
165,500	0,257	0,472	0,975	0,199	0,051	0,463	0,720	68,927	19,207	23,231	47,668	221,138	19,474	19,489	19,494	19,505	56,959
165,834	0,258	0,465	0,973	0,196	0,068	0,466	0,720	68,952	19,137	23,247	19,654	150,284	19,479	19,497	19,502	19,513	56,956
166,167	0,254	0,465	0,966	0,196	0,026	0,468	0,720	68,967	19,156	23,205	19,663	186,439	19,485	19,506	19,505	19,515	56,956
166,500	0,255	0,461	0,960	0,200	0,041	0,472	0,720	68,935	19,204	23,239	19,674	125,529	19,472	19,506	19,500	19,511	56,956
166,834	0,258	0,454	0,970	0,191	0,030	0,478	0,720	68,942	19,204	23,255	19,670	125,545	19,474	19,494	19,494	19,508	56,968

Pellematic 56_test cat I_040321.DAT

Category: I

	1103	1105	1106	130	230	101	102	1	2	3	6	7	8	11	
Mättid	T3 inlet load side	T2 inlet boiler	T1 outlet boiler	Flow load side	Flow boiler side	Heat output load side	Heat output boiler	CO chimney	CO2 chimney	O2 chimney	Pstat	Pdyn	Tunnel velocity	Våg	Tidpunkt
Minuter	°C	°C	°C	m ³ /h	m ³ /h	W	W	ppm	%	%	Pa	Pa	m/s	kg	Klockan
155,167	42,495	59,441	72,953	0,443	0,479	7503,234	7398,813	116,113	7,133	13,498	3,939	39,278	8,091	20,351	2021-03-04 10:57
155,500	42,504	59,459	72,940	0,443	0,479	7261,007	7383,847	117,217	7,079	13,529	3,947	39,157	8,078	20,351	2021-03-04 10:58
155,833	42,503	59,632	72,962	0,443	0,479	7309,706	7305,451	101,779	7,213	13,419	3,847	38,794	8,041	20,258	2021-03-04 10:58
156,167	42,468	59,755	72,986	0,443	0,479	7315,532	7249,888	102,708	7,143	13,501	4,006	38,942	8,056	20,258	2021-03-04 10:58
156,500	42,427	59,773	73,053	0,442	0,479	7312,159	7275,526	109,978	6,904	13,718	3,948	39,035	8,066	20,258	2021-03-04 10:59
156,833	42,411	59,767	73,027	0,443	0,479	7445,240	7268,459	114,396	6,739	13,878	4,000	38,940	8,056	20,258	2021-03-04 10:59
157,167	42,406	59,751	73,022	0,443	0,479	7587,811	7270,680	115,120	6,704	13,919	3,911	39,075	8,070	20,210	2021-03-04 10:59
157,500	42,406	59,540	73,024	0,443	0,479	7513,033	7387,912	121,749	6,708	13,927	3,863	39,041	8,066	20,258	2021-03-04 11:00
157,833	42,400	59,465	73,028	0,443	0,479	7523,312	7427,201	133,277	6,698	13,922	4,042	38,787	8,040	20,258	2021-03-04 11:00
158,167	42,357	59,485	73,039	0,442	0,479	7531,293	7420,349	127,287	6,820	13,808	3,883	38,894	8,051	20,164	2021-03-04 11:00
158,500	42,309	59,488	73,061	0,442	0,479	7577,173	7436,171	116,304	6,919	13,695	3,756	39,231	8,086	20,164	2021-03-04 11:01
158,834	42,305	59,498	73,046	0,443	0,479	7447,537	7416,178	113,167	7,075	13,547	3,983	39,284	8,092	20,164	2021-03-04 11:01
159,167	42,286	59,504	73,055	0,442	0,479	7364,584	7421,652	121,242	7,096	13,529	4,086	39,129	8,076	20,164	2021-03-04 11:01
159,500	42,206	59,710	73,066	0,443	0,479	7456,994	7313,507	124,356	6,982	13,640	3,961	38,634	8,024	20,164	2021-03-04 11:02
159,834	42,123	59,760	73,083	0,442	0,479	7570,560	7300,643	124,376	6,936	13,677	4,012	38,173	7,976	20,164	2021-03-04 11:02
160,167	42,073	59,717	73,095	0,442	0,479	7701,392	7328,703	118,120	7,032	13,574	3,969	39,118	8,074	20,164	2021-03-04 11:02
160,500	42,073	59,490	73,082	0,443	0,479	7703,653	7445,942	113,523	7,105	13,516	3,915	39,270	8,090	20,164	2021-03-04 11:03
160,834	42,064	59,371	73,087	0,444	0,479	7709,248	7514,599	122,579	7,044	13,570	3,947	38,822	8,044	20,164	2021-03-04 11:03
161,167	42,020	59,332	73,086	0,443	0,479	7680,221	7530,257	131,741	6,982	13,610	3,877	38,963	8,058	20,071	2021-03-04 11:03
161,500	41,965	59,329	73,079	0,443	0,479	7677,951	7532,232	131,216	7,083	13,534	3,877	39,270	8,090	20,071	2021-03-04 11:04
161,833	41,934	59,366	73,104	0,442	0,479	7665,960	7524,245	132,842	7,075	13,532	3,934	38,879	8,050	20,071	2021-03-04 11:04
162,167	41,908	59,369	73,107	0,444	0,479	7708,170	7528,906	144,912	7,039	13,582	4,021	39,128	8,075	20,071	2021-03-04 11:04
162,500	41,906	59,356	73,123	0,444	0,479	7709,198	7541,265	152,968	6,909	13,696	3,892	39,077	8,070	20,071	2021-03-04 11:05
162,833	41,891	59,320	73,130	0,444	0,479	7699,848	7562,350	156,075	6,961	13,649	3,946	38,781	8,040	20,070	2021-03-04 11:05
163,167	41,866	59,318	73,140	0,444	0,479	7722,459	7577,524	142,781	7,068	13,543	3,934	38,907	8,053	20,071	2021-03-04 11:05
163,500	41,840	59,324	73,154	0,444	0,479	7712,397	7574,578	131,327	7,119	13,503	4,026	38,021	7,960	20,070	2021-03-04 11:06
163,833	41,862	59,318	73,156	0,444	0,479	7708,115	7578,021	133,761	7,004	13,646	3,965	38,862	8,048	20,070	2021-03-04 11:06
164,167	41,869	59,308	73,159	0,445	0,479	7714,023	7588,142	134,179	6,813	13,810	3,969	38,930	8,055	19,977	2021-03-04 11:06
164,500	41,876	59,303	73,161	0,446	0,479	7729,700	7585,768	137,039	6,749	13,857	3,909	38,807	8,042	19,976	2021-03-04 11:07
164,833	41,865	59,303	73,174	0,446	0,479	7742,783	7600,614	135,604	6,916	13,707	3,982	38,783	8,040	19,976	2021-03-04 11:07
165,167	41,894	59,293	73,173	0,446	0,479	7738,654	7604,907	136,513	6,929	13,719	3,976	38,584	8,019	20,036	2021-03-04 11:07
165,500	41,895	59,287	73,196	0,446	0,479	7728,261	7622,840	148,950	6,746	13,904	3,973	38,863	8,048	19,977	2021-03-04 11:08
165,834	41,880	59,289	73,179	0,446	0,479	7739,269	7608,366	144,496	6,629	13,995	3,912	38,763	8,038	19,976	2021-03-04 11:08
166,167	41,878	59,302	73,191	0,446	0,479	7750,358	7605,273	138,293	6,604	14,044	3,916	38,706	8,032	19,977	2021-03-04 11:08
166,500	41,902	59,294	73,200	0,446	0,479	7722,707	7618,497	138,860	6,495	14,160	4,006	38,510	8,011	19,977	2021-03-04 11:09
166,834	41,935	59,288	73,181	0,446	0,479	7715,091	7610,467	151,657	6,303	14,346	3,830	38,739	8,035	19,976	2021-03-04 11:09

Pellematic 56_test cat I_040321.DAT

Category: I

	301	302	304	305	306	308	317	1311	1312	1313	1314	1315	1316	1317	1318	1101	1102
Mättid	CO chimney	CO2 chimney	Pdyn	Pstat	Static pressure chimney	O2 chimney	Våg	Flue gas temp	Ambient	Flue gas at pitot	filter temp 1	filter temp 2	gas meter temp 1	gas meter temp 2	gasmeter temp ambient		T4 outlet load side
Minuter	VDC	VDC	VDC	VDC	VDC	VDC	VDC	°C	°C	°C	°C	°C	°C	°C	°C	°C	°C
167,167	0,263	0,447	0,969	0,192	0,018	0,483	0,720	68,987	19,255	23,281	19,669	179,029	19,483	19,495	19,489	19,506	56,982
167,500	0,264	0,446	0,965	0,195	0,033	0,482	0,719	68,995	19,246	23,282	19,683	201,926	19,481	19,496	19,494	19,509	56,974
167,834	0,259	0,449	0,967	0,192	-0,001	0,478	0,718	68,978	19,269	23,195	19,677	19,623	19,472	19,491	19,493	19,509	56,975
168,167	0,255	0,457	0,961	0,194	0,004	0,471	0,719	69,034	19,296	23,200	19,683	19,634	19,480	19,485	19,491	19,507	56,967
168,500	0,254	0,465	0,966	0,199	0,047	0,463	0,719	69,014	19,352	23,218	19,680	19,634	19,477	19,496	19,496	19,509	56,985
168,833	0,253	0,477	0,962	0,195	-0,009	0,454	0,718	69,004	19,360	23,293	19,682	19,656	19,482	19,487	19,489	19,513	56,999
169,167	0,251	0,484	0,968	0,202	0,057	0,450	0,718	69,045	19,349	23,332	19,684	19,656	19,491	19,505	19,508	19,523	57,001
169,500	0,253	0,483	0,966	0,199	0,066	0,452	0,718	69,076	19,309	23,305	19,683	19,649	19,493	19,499	19,508	19,517	56,994
169,833	0,256	0,480	0,966	0,195	-0,020	0,454	0,718	69,081	19,333	23,308	19,676	19,648	19,483	19,499	19,503	19,515	56,997
170,167	0,261	0,476	0,971	0,199	0,067	0,458	0,718	69,117	19,320	23,291	19,674	19,651	19,478	19,497	19,505	19,515	57,000
170,500	0,268	0,472	0,967	0,208	-0,014	0,462	0,716	69,146	19,362	23,321	19,667	19,651	19,478	19,500	19,503	19,516	57,016
170,834	0,272	0,467	0,965	0,194	0,043	0,466	0,717	69,120	19,350	23,300	19,671	19,646	19,463	19,497	19,500	19,514	57,004
171,167	0,274	0,463	0,955	0,193	0,040	0,469	0,716	69,112	19,355	23,289	19,660	19,634	19,457	19,496	19,508	19,513	56,968
171,500	0,277	0,459	0,963	0,201	0,009	0,473	0,716	69,095	19,373	23,252	19,671	19,636	19,458	19,500	19,502	19,510	56,974
171,834	0,282	0,451	0,968	0,205	0,056	0,479	0,715	69,105	19,417	23,291	19,662	19,633	19,493	19,505	19,504	19,515	56,995
172,167	0,274	0,451	0,959	0,200	0,005	0,478	0,717	69,093	19,389	23,332	19,657	19,647	19,478	19,499	19,500	19,515	57,017
172,500	0,270	0,453	0,966	0,201	0,033	0,476	0,716	69,107	19,373	23,332	19,662	19,634	19,481	19,500	19,504	19,512	57,017
172,834	0,263	0,456	0,964	0,201	-0,022	0,475	0,716	69,112	19,393	23,300	19,654	19,641	19,483	19,502	19,514	19,516	57,000
173,167	0,264	0,452	0,969	0,194	0,003	0,479	0,716	69,102	19,429	23,270	19,648	19,626	19,484	19,495	19,489	19,514	57,004
173,500	0,268	0,447	0,970	0,199	0,071	0,482	0,716	69,128	19,459	23,366	19,655	19,628	19,489	19,514	19,502	19,520	57,019
173,833	0,266	0,448	0,964	0,197	0,023	0,479	0,716	69,165	19,484	23,396	19,653	19,638	19,487	19,510	19,508	19,520	57,057
174,167	0,261	0,454	0,970	0,199	0,028	0,475	0,715	69,131	19,444	23,300	19,646	19,626	19,483	19,500	19,494	19,513	57,026
174,500	0,258	0,457	0,970	0,201	-0,001	0,474	0,715	69,157	19,481	23,335	19,656	19,629	19,489	19,502	19,508	19,518	57,014
174,833	0,260	0,455	0,974	0,199	0,070	0,475	0,715	69,162	19,416	23,310	19,649	19,634	19,489	19,507	19,514	19,518	57,027
175,167	0,262	0,455	0,963	0,197	-0,019	0,475	0,715	69,180	19,334	23,364	19,654	19,641	19,495	19,526	19,509	19,527	57,050
175,500	0,258	0,455	0,962	0,195	0,051	0,475	0,715	69,196	19,307	23,372	19,652	19,622	19,495	19,518	19,508	19,524	57,071
175,833	0,261	0,453	0,971	0,196	0,001	0,478	0,715	69,193	19,301	23,347	19,644	19,618	19,495	19,506	19,506	19,522	57,055
176,167	0,261	0,453	0,969	0,201	0,002	0,477	0,715	69,138	19,312	23,303	19,643	19,629	19,502	19,521	19,517	19,522	57,053
176,500	0,260	0,453	0,966	0,200	0,085	0,477	0,715	69,191	19,374	23,279	19,654	19,624	19,510	19,526	19,515	19,530	57,052
176,833	0,258	0,455	0,976	0,203	-0,020	0,476	0,715	69,208	19,350	23,312	19,642	19,622	19,502	19,521	19,527	19,530	57,077
177,167	0,259	0,451	0,972	0,198	0,038	0,479	0,714	69,215	19,398	23,311	19,651	19,612	19,501	19,524	19,525	19,533	57,047
177,500	0,261	0,447	0,977	0,199	0,002	0,483	0,715	69,183	19,381	23,356	19,638	19,609	19,492	19,505	19,512	19,522	57,045
177,833	0,263	0,446	0,968	0,196	0,052	0,482	0,714	69,190	19,417	23,354	19,632	19,612	19,503	19,522	19,521	19,531	57,035
178,167	0,264	0,448	0,964	0,199	-0,040	0,479	0,715	69,197	19,401	23,407	19,639	19,613	19,505	19,515	19,515	19,532	57,046
178,500	0,258	0,455	0,961	0,198	0,004	0,473	0,713	69,220	19,293	23,390	19,644	19,607	19,501	19,527	19,511	19,527	57,026
178,833	0,251	0,462	0,964	0,203	0,026	0,469	0,714	69,238	19,371	23,401	19,630	19,593	19,495	19,508	19,508	19,522	57,021

Pellematic 56_test cat I_040321.DAT

Category: I

	1103	1105	1106	130	230	101	102	1	2	3	6	7	8	11	
Mättid	T3 inlet load side	T2 inlet boiler	T1 outlet boiler	Flow load side	Flow boiler side	Heat output load side	Heat output boiler	CO chimney	CO2 chimney	O2 chimney	Pstat	Pdyn	Tunnel velocity	Våg	Tidpunkt
Minuter	°C	°C	°C	m ³ /h	m ³ /h	W	W	ppm	%	%	Pa	Pa	m/s	kg	Klockan
167,167	41,939	59,290	73,191	0,446	0,479	7731,742	7616,911	161,024	6,149	14,480	3,841	38,585	8,019	19,977	2021-03-04 11:09
167,500	41,926	59,306	73,184	0,446	0,479	7730,306	7598,349	160,539	6,156	14,464	3,890	38,590	8,020	19,851	2021-03-04 11:10
167,834	41,900	59,315	73,179	0,446	0,479	7746,925	7597,043	147,074	6,280	14,327	3,836	38,409	8,001	19,852	2021-03-04 11:10
168,167	41,921	59,308	73,171	0,447	0,479	7735,912	7593,694	137,886	6,477	14,124	3,888	38,506	8,011	19,851	2021-03-04 11:10
168,500	41,921	59,285	73,177	0,447	0,479	7745,705	7610,077	136,866	6,691	13,892	3,973	38,588	8,020	19,977	2021-03-04 11:11
168,833	41,918	59,291	73,174	0,447	0,479	7763,406	7604,317	133,023	6,986	13,625	3,905	38,352	7,995	19,851	2021-03-04 11:11
169,167	41,911	59,301	73,171	0,446	0,479	7745,981	7594,791	132,669	7,115	13,509	4,030	38,976	8,060	19,851	2021-03-04 11:11
169,500	41,940	59,307	73,169	0,446	0,479	7730,264	7597,526	137,523	7,049	13,566	3,983	38,507	8,011	19,851	2021-03-04 11:12
169,833	41,948	59,309	73,171	0,446	0,479	7732,000	7587,346	145,556	6,999	13,630	3,896	38,951	8,057	19,851	2021-03-04 11:12
170,167	41,957	59,302	73,142	0,447	0,479	7738,410	7579,542	159,222	6,883	13,751	3,980	38,727	8,034	19,851	2021-03-04 11:12
170,500	41,967	59,297	73,138	0,446	0,479	7723,591	7582,074	175,812	6,770	13,874	4,169	38,801	8,042	19,758	2021-03-04 11:13
170,834	41,965	59,298	73,151	0,447	0,479	7747,676	7590,114	184,115	6,655	13,992	3,871	38,815	8,043	19,758	2021-03-04 11:13
171,167	41,936	59,300	73,143	0,447	0,479	7736,119	7580,962	188,498	6,543	14,077	3,852	38,033	7,962	19,758	2021-03-04 11:13
171,500	41,935	59,302	73,161	0,447	0,479	7738,071	7593,930	198,024	6,443	14,188	4,024	38,511	8,012	19,758	2021-03-04 11:14
171,834	41,983	59,279	73,145	0,447	0,479	7724,005	7598,994	207,975	6,214	14,383	4,108	38,627	8,024	19,758	2021-03-04 11:14
172,167	42,026	59,272	73,144	0,447	0,479	7709,226	7598,969	184,210	6,302	14,332	3,993	38,343	7,994	19,758	2021-03-04 11:14
172,500	42,007	59,280	73,132	0,447	0,479	7731,306	7584,899	171,619	6,348	14,276	4,028	38,706	8,032	19,758	2021-03-04 11:15
172,834	41,997	59,302	73,132	0,447	0,479	7720,928	7573,680	158,941	6,404	14,240	4,019	38,545	8,015	19,758	2021-03-04 11:15
173,167	42,008	59,302	73,119	0,447	0,479	7714,219	7568,016	165,775	6,277	14,357	3,873	38,682	8,029	19,758	2021-03-04 11:15
173,500	42,036	59,304	73,120	0,447	0,479	7713,387	7567,760	174,808	6,156	14,456	3,975	38,821	8,044	19,758	2021-03-04 11:16
173,833	42,035	59,297	73,109	0,447	0,479	7737,371	7563,181	165,680	6,236	14,363	3,944	38,411	8,001	19,758	2021-03-04 11:16
174,167	42,015	59,282	73,099	0,448	0,479	7741,806	7568,983	152,947	6,366	14,239	3,973	38,662	8,027	19,664	2021-03-04 11:16
174,500	42,023	59,280	73,098	0,448	0,479	7739,973	7574,175	148,462	6,417	14,207	4,013	38,926	8,055	19,664	2021-03-04 11:17
174,833	42,065	59,274	73,103	0,449	0,479	7739,525	7569,320	154,156	6,371	14,263	3,986	39,344	8,098	19,664	2021-03-04 11:17
175,167	42,108	59,255	73,084	0,448	0,479	7714,151	7579,088	154,777	6,388	14,247	3,945	38,396	8,000	19,664	2021-03-04 11:17
175,500	42,090	59,256	73,073	0,448	0,479	7729,304	7569,454	147,856	6,386	14,257	3,904	38,879	8,050	19,664	2021-03-04 11:18
175,833	42,070	59,273	73,061	0,447	0,479	7708,328	7551,196	156,503	6,308	14,330	3,922	38,753	8,037	19,664	2021-03-04 11:18
176,167	42,090	59,286	73,057	0,447	0,479	7703,836	7543,426	153,480	6,331	14,312	4,028	38,681	8,029	19,664	2021-03-04 11:18
176,500	42,139	59,279	73,024	0,447	0,479	7670,039	7527,258	154,316	6,332	14,296	3,995	38,592	8,020	19,664	2021-03-04 11:19
176,833	42,139	59,272	73,028	0,447	0,479	7692,325	7533,178	145,678	6,365	14,280	4,053	38,964	8,059	19,664	2021-03-04 11:19
177,167	42,102	59,282	73,027	0,447	0,479	7694,398	7532,148	152,474	6,254	14,380	3,958	38,890	8,051	19,664	2021-03-04 11:19
177,500	42,110	59,292	73,019	0,447	0,479	7686,341	7520,945	157,263	6,156	14,478	3,981	39,206	8,083	19,664	2021-03-04 11:20
177,833	42,162	59,282	73,018	0,448	0,479	7663,383	7526,991	162,296	6,165	14,470	3,927	38,493	8,010	19,664	2021-03-04 11:20
178,167	42,174	59,257	73,000	0,447	0,479	7659,496	7527,691	161,045	6,239	14,378	3,984	38,544	8,015	19,664	2021-03-04 11:20
178,500	42,153	59,255	72,983	0,447	0,479	7653,662	7519,197	144,967	6,414	14,192	3,957	38,752	8,037	19,570	2021-03-04 11:21
178,833	42,129	59,273	72,971	0,448	0,479	7672,790	7501,827	128,979	6,573	14,055	4,066	38,545	8,015	19,623	2021-03-04 11:21

Pellematic 56_test cat I_040321.DAT

Category: I

	301	302	304	305	306	308	317	1311	1312	1313	1314	1315	1316	1317	1318	1101	1102
Mättid	CO chimney	CO2 chimney	Pdyn	Pstat	Static pressure chimney	O2 chimney	Våg	Flue gas temp	Ambient	Flue gas at pitot	filter temp 1	filter temp 2	gas meter temp 1	gas meter temp 2	gasmeter temp ambient		T4 outlet load side
Minuter	VDC	VDC	VDC	VDC	VDC	VDC	VDC	°C	°C	°C	°C	°C	°C	°C	°C	°C	°C
179,167	0,251	0,462	0,977	0,201	0,004	0,469	0,713	69,275	19,384	23,351	19,635	19,599	19,503	19,523	19,520	19,527	57,037
179,500	0,253	0,459	0,969	0,197	0,055	0,472	0,713	69,268	19,417	23,384	19,627	19,595	19,499	19,524	19,516	19,528	57,006
179,833	0,256	0,454	0,970	0,199	0,023	0,477	0,713	69,267	19,368	23,389	19,635	19,596	19,503	19,528	19,524	19,531	56,980
180,167	0,261	0,450	0,970	0,193	-0,001	0,479	0,713	69,236	19,395	23,379	19,629	19,598	19,498	19,520	19,511	19,528	56,951
180,500	0,262	0,451	0,971	0,200	0,037	0,478	0,712	69,196	19,445	23,428	19,634	19,590	19,488	19,524	19,511	19,532	56,966
180,833	0,259	0,453	0,967	0,197	-0,008	0,476	0,713	69,191	19,368	23,410	19,630	19,589	19,500	19,524	19,528	19,536	56,976
181,167	0,263	0,452	0,962	0,202	0,002	0,479	0,713	69,197	19,385	23,391	19,628	19,584	19,500	19,527	19,524	19,532	57,033
181,501	0,268	0,448	0,966	0,196	0,065	0,482	0,712	69,207	19,409	23,402	19,628	19,588	19,504	19,530	19,524	19,532	57,030
181,833	0,267	0,445	0,961	0,200	-0,037	0,484	0,712	69,206	19,479	23,397	19,628	19,586	19,517	19,540	19,532	19,542	57,029
182,167	0,267	0,442	0,965	0,198	0,003	0,486	0,713	69,212	19,486	23,357	19,617	19,577	19,511	19,535	19,521	19,536	57,000
182,500	0,268	0,440	0,971	0,201	0,091	0,487	0,712	69,209	19,481	23,361	19,610	19,575	19,503	19,532	19,532	19,536	57,051
182,834	0,270	0,443	0,964	0,197	0,035	0,482	0,712	69,182	19,496	23,404	19,619	19,635	19,506	19,539	19,531	19,539	57,095
183,167	0,264	0,452	0,969	0,198	-0,033	0,475	0,712	69,175	19,517	23,384	19,622	19,862	19,529	19,536	19,523	19,546	57,160
183,500	0,256	0,460	0,972	0,197	0,047	0,469	0,712	69,147	19,420	23,447	19,624	19,741	19,511	19,534	19,522	19,544	57,087
183,834	0,257	0,464	0,972	0,197	0,027	0,467	0,712	69,139	19,444	23,384	19,626	19,913	19,508	19,537	19,534	19,542	57,047
184,167	0,261	0,465	0,967	0,197	0,004	0,467	0,712	69,168	19,329	23,426	19,623	19,973	19,516	19,538	19,536	19,545	57,145
184,500	0,262	0,465	0,976	0,200	0,021	0,465	0,712	69,155	19,272	23,403	19,657	20,001	19,514	19,538	19,540	19,543	57,189
184,834	0,261	0,468	0,969	0,199	0,002	0,463	0,712	69,166	19,351	23,422	19,704	20,037	19,519	19,531	19,547	19,546	57,162
185,167	0,256	0,469	0,968	0,190	0,037	0,463	0,711	69,175	19,296	23,485	19,741	20,088	19,513	19,544	19,561	19,546	57,015
185,500	0,251	0,468	0,969	0,202	0,026	0,464	0,709	69,194	19,324	23,492	19,788	20,152	19,521	19,544	19,561	19,548	57,037
185,834	0,251	0,469	0,969	0,197	0,068	0,463	0,709	69,236	19,399	23,445	19,851	20,170	19,521	19,553	19,571	19,547	57,021
186,167	0,250	0,472	0,975	0,198	0,021	0,459	0,709	69,272	19,395	23,408	19,960	20,187	19,516	19,551	19,589	19,550	57,019
186,500	0,249	0,474	0,972	0,192	-0,017	0,459	0,709	69,247	19,252	23,401	20,062	20,200	19,510	19,540	19,594	19,546	57,014
186,833	0,249	0,471	0,966	0,197	0,066	0,462	0,709	69,230	19,310	23,453	20,292	20,222	19,519	19,557	19,608	19,552	57,018
187,167	0,248	0,465	0,975	0,196	0,033	0,467	0,709	69,230	19,400	23,456	20,356	20,228	19,512	19,555	19,614	19,547	57,046
187,500	0,250	0,464	0,974	0,196	0,011	0,466	0,709	69,255	19,369	23,477	20,418	20,248	19,521	19,547	19,644	19,551	57,051
187,833	0,253	0,467	0,972	0,198	0,004	0,465	0,709	69,230	19,400	23,491	20,450	20,260	19,521	19,543	19,655	19,550	57,032
188,167	0,256	0,465	0,972	0,203	0,038	0,468	0,709	69,236	19,400	23,448	20,476	20,288	19,521	19,558	19,674	19,550	57,042
188,500	0,260	0,460	0,983	0,197	-0,009	0,471	0,709	69,223	19,409	23,419	20,485	20,286	19,524	19,564	19,698	19,552	57,106
188,833	0,260	0,460	0,974	0,200	0,048	0,469	0,708	69,244	19,419	23,520	20,525	20,310	19,519	19,560	19,719	19,551	57,087
189,167	0,262	0,462	0,968	0,205	0,002	0,468	0,708	69,239	19,361	23,535	20,553	20,332	19,526	19,559	19,749	19,553	57,053
189,500	0,263	0,466	0,978	0,201	0,004	0,464	0,708	69,252	19,309	23,507	20,566	20,343	19,543	19,559	19,771	19,557	57,027
189,833	0,261	0,471	0,966	0,196	0,022	0,460	0,709	69,220	19,310	23,468	20,576	20,352	19,531	19,557	19,790	19,556	57,011
190,167	0,261	0,474	0,973	0,196	0,062	0,460	0,708	69,249	19,305	23,583	20,608	20,373	19,550	19,561	19,835	19,560	57,037
190,500	0,265	0,469	0,964	0,197	-0,001	0,465	0,708	69,258	19,256	23,570	20,618	20,385	19,540	19,559	19,859	19,555	57,033
190,834	0,265	0,468	0,979	0,202	0,058	0,462	0,708	69,282	19,277	23,521	20,624	20,394	19,545	19,575	19,890	19,560	57,047

Pellematic 56_test cat I_040321.DAT

Category: I

	1103	1105	1106	130	230	101	102	1	2	3	6	7	8	11	
Mättid	T3 inlet load side	T2 inlet boiler	T1 outlet boiler	Flow load side	Flow boiler side	Heat output load side	Heat output boiler	CO chimney	CO2 chimney	O2 chimney	Pstat	Pdyn	Tunnel velocity	Våg	Tidpunkt
Minuter	°C	°C	°C	m ³ /h	m ³ /h	W	W	ppm	%	%	Pa	Pa	m/s	kg	Klockan
179,167	42,154	59,265	72,954	0,449	0,479	7684,894	7497,495	131,484	6,542	14,083	4,012	39,076	8,070	19,570	2021-03-04 11:21
179,500	42,163	59,241	72,936	0,449	0,479	7665,922	7502,398	137,173	6,466	14,174	3,931	38,717	8,033	19,570	2021-03-04 11:22
179,833	42,146	59,227	72,924	0,448	0,479	7658,639	7500,932	144,519	6,324	14,308	3,971	38,676	8,029	19,570	2021-03-04 11:22
180,167	42,132	59,220	72,926	0,449	0,479	7660,277	7507,207	161,281	6,247	14,365	3,865	38,930	8,055	19,570	2021-03-04 11:22
180,500	42,157	59,206	72,921	0,449	0,479	7647,954	7512,987	156,091	6,290	14,326	3,994	38,765	8,038	19,570	2021-03-04 11:23
180,833	42,205	59,202	72,901	0,449	0,479	7626,877	7504,962	152,883	6,341	14,288	3,931	38,604	8,021	19,570	2021-03-04 11:23
181,167	42,227	59,191	72,902	0,449	0,479	7650,681	7509,658	163,130	6,290	14,356	4,044	38,613	8,022	19,570	2021-03-04 11:23
181,501	42,207	59,201	72,934	0,449	0,479	7661,684	7523,585	172,213	6,170	14,469	3,910	38,737	8,035	19,476	2021-03-04 11:24
181,833	42,217	59,204	72,911	0,448	0,478	7644,331	7499,951	167,202	6,110	14,527	3,996	38,694	8,031	19,476	2021-03-04 11:24
182,167	42,238	59,198	72,921	0,449	0,479	7627,659	7519,271	171,769	6,050	14,580	3,951	38,552	8,016	19,570	2021-03-04 11:24
182,500	42,254	59,191	72,921	0,449	0,479	7642,887	7519,160	172,522	6,003	14,612	4,013	38,694	8,031	19,476	2021-03-04 11:25
182,834	42,264	59,191	72,874	0,449	0,479	7666,744	7494,833	178,580	6,121	14,474	3,934	38,690	8,030	19,476	2021-03-04 11:25
183,167	42,257	59,187	72,827	0,448	0,479	7693,614	7472,234	157,954	6,353	14,243	3,953	38,836	8,045	19,476	2021-03-04 11:25
183,500	42,261	59,194	72,811	0,449	0,479	7655,003	7460,025	141,394	6,524	14,080	3,941	38,853	8,047	19,476	2021-03-04 11:26
183,834	42,273	59,189	72,781	0,448	0,479	7619,225	7448,977	150,187	6,601	14,021	3,943	38,683	8,029	19,476	2021-03-04 11:26
184,167	42,299	59,193	72,799	0,449	0,479	7674,088	7449,462	155,621	6,623	14,013	3,933	38,656	8,027	19,476	2021-03-04 11:26
184,500	42,295	59,176	72,782	0,449	0,479	7694,984	7449,935	158,184	6,665	13,962	3,994	38,945	8,057	19,476	2021-03-04 11:27
184,834	42,274	59,127	72,749	0,448	0,480	7680,162	7473,881	152,319	6,726	13,884	3,984	38,482	8,009	19,476	2021-03-04 11:27
185,167	42,276	59,107	72,740	0,449	0,481	7611,145	7496,649	139,503	6,712	13,899	3,802	38,374	7,997	19,342	2021-03-04 11:27
185,500	42,304	59,137	72,709	0,449	0,481	7606,539	7465,264	129,807	6,702	13,913	4,031	38,695	8,031	19,342	2021-03-04 11:28
185,834	42,301	59,125	72,727	0,449	0,481	7600,472	7478,336	130,061	6,737	13,883	3,944	38,463	8,007	19,342	2021-03-04 11:28
186,167	42,285	59,124	72,724	0,448	0,481	7602,436	7480,392	127,711	6,845	13,783	3,959	38,856	8,047	19,342	2021-03-04 11:28
186,500	42,297	59,131	72,736	0,448	0,481	7590,021	7478,130	125,774	6,859	13,768	3,836	38,740	8,035	19,342	2021-03-04 11:29
186,833	42,328	59,115	72,714	0,448	0,480	7580,220	7473,795	124,018	6,770	13,857	3,945	38,702	8,031	19,342	2021-03-04 11:29
187,167	42,347	59,103	72,678	0,448	0,480	7588,578	7458,957	122,002	6,594	14,002	3,918	38,972	8,059	19,342	2021-03-04 11:29
187,500	42,331	59,109	72,667	0,448	0,481	7589,673	7451,616	131,397	6,608	13,981	3,912	39,034	8,066	19,342	2021-03-04 11:30
187,833	42,325	59,114	72,662	0,447	0,480	7564,206	7443,625	135,429	6,659	13,938	3,954	38,750	8,036	19,342	2021-03-04 11:30
188,167	42,354	59,115	72,659	0,447	0,481	7559,677	7444,193	146,823	6,583	14,036	4,054	39,016	8,064	19,343	2021-03-04 11:30
188,500	42,377	59,125	72,647	0,448	0,481	7594,889	7432,782	155,151	6,475	14,135	3,939	39,353	8,099	19,249	2021-03-04 11:31
188,833	42,361	59,131	72,624	0,448	0,480	7592,836	7415,116	152,893	6,523	14,083	3,993	38,662	8,027	19,249	2021-03-04 11:31
189,167	42,339	59,133	72,612	0,448	0,481	7590,104	7411,436	162,128	6,536	14,044	4,099	38,623	8,023	19,249	2021-03-04 11:31
189,500	42,327	59,123	72,631	0,448	0,480	7584,177	7422,204	159,101	6,669	13,927	4,027	39,173	8,080	19,249	2021-03-04 11:32
189,833	42,354	59,113	72,626	0,448	0,481	7555,220	7426,833	153,574	6,813	13,806	3,917	38,600	8,021	19,342	2021-03-04 11:32
190,167	42,353	59,117	72,615	0,447	0,480	7556,885	7412,281	156,666	6,831	13,810	3,919	38,820	8,044	19,249	2021-03-04 11:32
190,500	42,315	59,111	72,620	0,446	0,481	7555,628	7430,408	167,729	6,679	13,946	3,934	38,561	8,017	19,249	2021-03-04 11:33
190,834	42,296	59,125	72,610	0,448	0,481	7603,844	7413,806	160,923	6,743	13,855	4,046	39,388	8,102	19,249	2021-03-04 11:33

Pellematic 56_test cat I_040321.DAT

Category: I

	301	302	304	305	306	308	317	1311	1312	1313	1314	1315	1316	1317	1318	1101	1102
Mättid	CO chimney	CO2 chimney	Pdyn	Pstat	Static pressure chimney	O2 chimney	Våg	Flue gas temp	Ambient	Flue gas at pitot	filter temp 1	filter temp 2	gas meter temp 1	gas meter temp 2	gasmeter temp ambient		T4 outlet load side
Minuter	VDC	VDC	VDC	VDC	VDC	VDC	VDC	°C	°C	°C	°C	°C	°C	°C	°C	°C	°C
191,167	0,259	0,474	0,969	0,194	-0,006	0,458	0,708	69,288	19,370	23,493	20,625	20,383	19,544	19,578	19,908	19,556	57,017
191,500	0,257	0,477	0,968	0,198	0,045	0,457	0,708	69,291	19,308	23,521	20,642	20,401	19,541	19,575	19,944	19,561	57,039
191,834	0,260	0,475	0,967	0,196	0,028	0,459	0,706	69,298	19,186	23,564	20,652	20,411	19,544	19,581	19,997	19,562	57,033
192,167	0,262	0,470	0,963	0,189	0,000	0,462	0,706	69,275	19,290	23,568	20,666	20,418	19,556	19,575	20,027	19,564	57,047
192,500	0,264	0,472	0,969	0,197	-0,026	0,461	0,706	69,283	19,363	23,611	20,693	20,444	19,555	19,582	20,062	19,571	57,099
192,834	0,268	0,472	0,971	0,200	0,045	0,461	0,706	69,266	19,428	23,564	20,693	20,441	19,550	19,579	20,097	19,567	57,068
193,167	0,270	0,470	0,977	0,182	0,023	0,463	0,706	69,257	19,328	23,464	20,700	20,450	19,543	19,590	20,134	19,568	57,068
193,500	0,270	0,467	0,973	0,197	0,027	0,466	0,706	69,267	19,309	23,454	20,714	20,464	19,564	19,588	20,186	19,570	57,030
193,834	0,268	0,466	0,968	0,204	0,025	0,465	0,706	69,315	19,270	23,509	20,722	20,484	19,567	19,593	20,217	19,574	57,037
194,167	0,267	0,469	0,964	0,202	0,004	0,462	0,706	69,282	19,334	23,535	20,729	20,484	19,561	19,585	20,257	19,570	57,007
194,500	0,262	0,475	0,966	0,197	-0,026	0,457	0,706	69,297	19,372	23,533	20,743	20,486	19,556	19,582	20,308	19,572	56,966
194,833	0,261	0,475	0,964	0,197	0,101	0,459	0,706	69,310	19,442	23,561	20,765	20,512	19,577	19,589	20,348	19,578	56,974
195,167	0,260	0,473	0,963	0,199	0,019	0,461	0,706	69,309	19,459	23,542	20,755	20,512	19,562	19,586	20,381	19,568	56,968
195,500	0,258	0,470	0,968	0,198	0,040	0,464	0,705	69,291	19,468	23,476	20,761	20,520	19,564	19,596	20,424	19,571	56,987
195,833	0,257	0,469	0,968	0,198	0,002	0,463	0,705	69,293	19,455	23,527	20,776	20,537	19,571	19,598	20,476	19,576	56,972
196,167	0,255	0,472	0,963	0,201	0,041	0,461	0,705	69,287	19,441	23,495	20,787	20,539	19,568	19,586	20,519	19,572	56,977
196,500	0,251	0,475	0,969	0,196	0,001	0,458	0,705	69,283	19,511	23,490	20,789	20,552	19,562	19,611	20,566	19,578	56,965
196,833	0,251	0,477	0,965	0,205	0,003	0,456	0,705	69,310	19,573	23,413	20,789	20,556	19,570	19,602	20,606	19,572	56,960
197,167	0,251	0,480	0,972	0,195	0,042	0,453	0,705	69,282	19,579	23,433	20,801	20,561	19,577	19,606	20,657	19,576	56,971
197,500	0,249	0,485	0,961	0,199	-0,020	0,449	0,705	69,300	19,591	23,488	20,811	20,573	19,569	19,600	20,711	19,579	57,006
197,833	0,254	0,486	0,965	0,200	0,004	0,450	0,704	69,307	19,592	23,508	20,815	20,567	19,583	19,604	20,750	19,574	56,963
198,167	0,258	0,481	0,968	0,195	0,083	0,455	0,704	69,300	19,624	23,387	20,807	20,567	19,568	19,607	20,799	19,576	56,955
198,500	0,261	0,475	0,971	0,196	-0,024	0,459	0,704	69,317	19,604	23,434	20,816	20,577	19,579	19,609	20,845	19,578	56,954
198,834	0,261	0,475	0,974	0,198	0,064	0,458	0,703	69,344	19,592	23,432	20,828	20,600	19,579	19,615	20,905	19,580	56,966
199,167	0,263	0,474	0,964	0,195	0,043	0,460	0,703	69,360	19,617	23,500	20,846	20,605	19,591	19,615	20,953	19,583	56,950
199,500	0,267	0,469	0,959	0,195	-0,025	0,464	0,703	69,354	19,661	23,500	20,854	20,615	19,594	19,607	20,997	19,586	57,233
199,834	0,265	0,467	0,961	0,201	0,037	0,464	0,703	69,345	19,654	23,525	20,865	20,634	19,595	19,625	21,057	19,591	57,457
200,167	0,263	0,472	0,970	0,194	0,071	0,458	0,703	69,360	19,685	23,465	20,881	20,638	19,585	19,627	21,107	19,587	57,325
200,500	0,260	0,480	0,972	0,201	0,029	0,453	0,703	69,356	19,695	23,435	20,881	20,644	19,599	19,619	21,159	19,590	57,095
200,834	0,262	0,482	0,968	0,196	-0,025	0,453	0,702	69,378	19,681	23,461	20,890	20,662	19,603	19,622	21,216	19,596	56,809
201,167	0,266	0,478	0,971	0,193	0,045	0,457	0,703	69,360	19,672	23,539	20,899	20,666	19,596	19,627	21,280	19,594	56,880
201,500	0,264	0,477	0,971	0,194	-0,023	0,454	0,702	69,383	19,559	23,534	20,917	20,671	19,607	19,633	21,328	19,599	56,921
201,833	0,256	0,487	0,966	0,205	0,079	0,445	0,702	69,376	19,596	23,619	20,935	20,687	19,598	19,633	21,375	19,602	56,902
202,167	0,252	0,491	0,965	0,197	0,003	0,447	0,701	69,358	19,610	23,578	20,914	20,677	19,595	19,629	21,416	19,591	56,916
202,500	0,256	0,484	0,960	0,203	-0,023	0,452	0,701	69,366	19,643	23,508	20,920	20,676	19,607	19,628	21,470	19,598	56,947
202,833	0,257	0,483	0,963	0,199	-0,006	0,450	0,701	69,380	19,663	23,495	20,932	20,700	19,611	19,637	21,521	19,599	57,121

Pellematic 56_test cat I_040321.DAT

Category: I

	1103	1105	1106	130	230	101	102	1	2	3	6	7	8	11	
Mättid	T3 inlet load side	T2 inlet boiler	T1 outlet boiler	Flow load side	Flow boiler side	Heat output load side	Heat output boiler	CO chimney	CO2 chimney	O2 chimney	Pstat	Pdyn	Tunnel velocity	Våg	Tidpunkt
Minuter	°C	°C	°C	m ³ /h	m ³ /h	W	W	ppm	%	%	Pa	Pa	m/s	kg	Klockan
191,167	42,323	59,102	72,593	0,448	0,480	7570,172	7412,417	149,379	6,870	13,725	3,884	38,572	8,018	19,249	2021-03-04 11:33
191,500	42,348	59,088	72,606	0,447	0,480	7566,581	7428,816	146,754	6,914	13,703	3,966	38,932	8,055	19,249	2021-03-04 11:34
191,834	42,333	59,094	72,617	0,447	0,480	7565,209	7432,165	154,731	6,864	13,773	3,929	38,595	8,020	19,155	2021-03-04 11:34
192,167	42,307	59,102	72,611	0,447	0,481	7582,906	7428,243	160,201	6,743	13,868	3,782	38,490	8,009	19,155	2021-03-04 11:34
192,500	42,337	59,103	72,609	0,447	0,481	7593,238	7424,930	163,441	6,814	13,821	3,931	38,582	8,019	19,155	2021-03-04 11:35
192,834	42,359	59,095	72,641	0,447	0,480	7571,204	7443,945	176,024	6,800	13,832	3,991	38,832	8,045	19,155	2021-03-04 11:35
193,167	42,331	59,099	72,590	0,447	0,481	7589,700	7422,061	176,991	6,732	13,901	3,647	39,029	8,065	19,155	2021-03-04 11:35
193,500	42,303	59,108	72,601	0,447	0,481	7569,772	7419,811	175,803	6,662	13,968	3,931	38,976	8,060	19,155	2021-03-04 11:36
193,834	42,318	59,101	72,620	0,447	0,481	7577,262	7436,424	173,713	6,664	13,954	4,082	38,609	8,022	19,061	2021-03-04 11:36
194,167	42,314	59,091	72,592	0,447	0,481	7552,350	7420,792	168,258	6,759	13,858	4,047	38,573	8,018	19,155	2021-03-04 11:36
194,500	42,305	59,090	72,576	0,446	0,480	7520,385	7410,770	155,500	6,910	13,723	3,935	38,900	8,052	19,155	2021-03-04 11:37
194,833	42,285	59,105	72,566	0,447	0,481	7550,421	7405,223	156,842	6,855	13,766	3,948	38,597	8,020	19,155	2021-03-04 11:37
195,167	42,266	59,106	72,588	0,447	0,481	7566,119	7413,861	152,392	6,797	13,831	3,983	38,531	8,014	19,155	2021-03-04 11:37
195,500	42,264	59,087	72,616	0,447	0,481	7576,236	7436,584	147,937	6,724	13,909	3,959	38,658	8,027	19,061	2021-03-04 11:38
195,833	42,276	59,065	72,626	0,447	0,481	7555,686	7454,408	142,733	6,749	13,883	3,967	38,545	8,015	19,061	2021-03-04 11:38
196,167	42,273	59,072	72,615	0,446	0,480	7552,665	7441,465	140,127	6,808	13,818	4,010	38,550	8,016	19,061	2021-03-04 11:38
196,500	42,254	59,072	72,602	0,446	0,481	7558,991	7437,311	129,979	6,894	13,735	3,918	38,661	8,027	19,061	2021-03-04 11:39
196,833	42,256	59,077	72,607	0,446	0,481	7555,588	7436,361	132,163	6,935	13,690	4,102	38,744	8,036	19,061	2021-03-04 11:39
197,167	42,262	59,072	72,589	0,446	0,480	7554,379	7427,474	128,514	7,020	13,591	3,901	38,775	8,039	19,061	2021-03-04 11:39
197,500	42,253	59,067	72,589	0,446	0,481	7572,383	7432,852	127,544	7,159	13,476	3,982	38,339	7,994	19,061	2021-03-04 11:40
197,833	42,232	59,061	72,598	0,446	0,481	7570,636	7447,694	140,790	7,159	13,491	3,999	38,608	8,022	19,061	2021-03-04 11:40
198,167	42,225	59,064	72,597	0,447	0,481	7575,198	7440,113	149,346	6,985	13,647	3,900	38,523	8,013	18,967	2021-03-04 11:40
198,500	42,220	59,050	72,582	0,447	0,481	7584,942	7440,607	157,001	6,857	13,755	3,918	38,955	8,058	18,967	2021-03-04 11:41
198,834	42,206	59,039	72,630	0,447	0,480	7590,696	7469,279	156,245	6,884	13,745	3,951	38,872	8,049	18,968	2021-03-04 11:41
199,167	42,187	59,029	72,653	0,447	0,481	7595,345	7493,314	163,873	6,825	13,808	3,910	38,766	8,038	18,967	2021-03-04 11:41
199,500	42,175	59,029	72,635	0,446	0,481	7739,431	7481,090	169,519	6,697	13,922	3,896	38,407	8,001	18,968	2021-03-04 11:42
199,834	42,177	58,987	72,593	0,447	0,481	7859,219	7481,180	162,554	6,697	13,905	4,025	38,363	7,996	18,968	2021-03-04 11:42
200,167	42,171	58,777	72,590	0,446	0,480	7787,256	7591,782	159,780	6,858	13,739	3,885	39,072	8,070	18,967	2021-03-04 11:42
200,500	42,156	58,743	72,605	0,446	0,481	7661,556	7621,362	152,112	7,013	13,576	4,011	38,930	8,055	18,967	2021-03-04 11:43
200,834	42,147	58,765	72,616	0,446	0,481	7527,526	7615,171	161,533	7,018	13,599	3,928	38,600	8,021	18,967	2021-03-04 11:43
201,167	42,143	58,966	72,644	0,447	0,481	7582,632	7523,377	168,596	6,927	13,700	3,855	38,816	8,043	18,967	2021-03-04 11:43
201,500	42,127	59,039	72,606	0,447	0,481	7612,648	7459,069	160,532	6,975	13,624	3,883	38,817	8,043	18,967	2021-03-04 11:44
201,833	42,115	59,033	72,669	0,448	0,480	7630,775	7491,834	136,667	7,288	13,355	4,093	38,494	8,010	18,842	2021-03-04 11:44
202,167	42,107	58,993	72,653	0,447	0,480	7626,754	7507,878	133,163	7,217	13,400	3,943	38,474	8,008	18,842	2021-03-04 11:44
202,500	42,100	58,984	72,664	0,447	0,481	7637,559	7522,435	148,669	7,051	13,546	4,068	38,316	7,991	18,842	2021-03-04 11:45
202,833	42,079	58,988	72,665	0,448	0,481	7749,911	7523,139	142,625	7,087	13,500	3,982	38,619	8,023	18,842	2021-03-04 11:45

Pellematic 56_test cat I_040321.DAT

Category: I

	301	302	304	305	306	308	317	1311	1312	1313	1314	1315	1316	1317	1318	1101	1102
Mättid	CO chimney	CO2 chimney	Pdyn	Pstat	Static pressure chimney	O2 chimney	Våg	Flue gas temp	Ambient	Flue gas at pitot	filter temp 1	filter temp 2	gas meter temp 1	gas meter temp 2	gasmeter temp ambient		T4 outlet load side
Minuter	VDC	VDC	VDC	VDC	VDC	VDC	VDC	°C	°C	°C	°C	°C	°C	°C	°C	°C	°C
203,167	0,252	0,488	0,963	0,195	0,016	0,447	0,701	69,359	19,687	23,519	20,929	20,691	19,598	19,625	21,568	19,594	57,375
203,500	0,249	0,486	0,955	0,192	0,032	0,450	0,701	69,337	19,700	23,564	20,935	20,702	19,607	19,639	21,624	19,598	57,355
203,833	0,252	0,479	0,967	0,196	0,043	0,456	0,701	69,344	19,718	23,545	20,945	20,713	19,617	19,631	21,679	19,599	57,218
204,167	0,252	0,476	0,964	0,195	0,039	0,456	0,701	69,340	19,718	23,540	20,966	20,711	19,607	19,639	21,730	19,601	57,183
204,500	0,247	0,480	0,963	0,192	-0,013	0,454	0,701	69,321	19,617	23,540	20,967	20,729	19,616	19,633	21,790	19,601	56,711
204,833	0,248	0,481	0,968	0,196	0,046	0,453	0,700	69,353	19,644	23,505	20,973	20,731	19,610	19,640	21,844	19,603	56,803
205,167	0,248	0,485	0,960	0,193	-0,013	0,449	0,700	69,382	19,686	23,501	20,966	20,735	19,615	19,647	21,899	19,605	56,853
205,500	0,249	0,488	0,968	0,198	0,054	0,445	0,700	69,426	19,697	23,476	20,977	20,737	19,622	19,647	21,953	19,615	56,853
205,833	0,246	0,497	0,960	0,196	-0,030	0,436	0,700	69,426	19,683	23,534	20,982	20,742	19,626	19,659	21,998	19,613	56,845
206,167	0,243	0,505	0,959	0,191	0,076	0,432	0,699	69,435	19,729	23,570	20,983	20,750	19,626	19,658	22,058	19,613	56,859
206,500	0,244	0,506	0,969	0,195	-0,024	0,433	0,700	69,435	19,753	23,528	20,996	20,764	19,633	19,664	22,122	19,622	57,103
206,834	0,247	0,500	0,971	0,202	0,009	0,439	0,698	69,456	19,689	23,527	21,003	20,765	19,638	19,661	22,166	19,616	57,347
207,167	0,251	0,493	0,961	0,204	0,002	0,444	0,700	69,422	19,699	23,595	21,012	20,778	19,642	19,667	22,227	19,620	57,209
207,500	0,253	0,487	0,961	0,191	0,049	0,450	0,699	69,412	19,724	23,576	21,014	20,782	19,648	19,667	22,283	19,620	57,231
207,834	0,253	0,481	0,967	0,197	0,030	0,453	0,698	69,432	19,758	23,571	21,017	20,783	19,646	19,665	22,329	19,622	56,973
208,167	0,255	0,479	0,963	0,195	-0,015	0,454	0,698	69,444	19,691	23,490	21,019	20,776	19,630	19,663	22,374	19,615	56,744
208,500	0,256	0,479	0,968	0,190	0,052	0,455	0,698	69,458	19,735	23,543	21,021	20,788	19,640	19,667	22,425	19,619	56,874
208,834	0,253	0,481	0,965	0,196	-0,022	0,452	0,698	69,475	19,661	23,581	21,045	20,809	19,648	19,668	22,489	19,623	56,892
209,167	0,252	0,484	0,960	0,192	0,052	0,451	0,698	69,434	19,559	23,549	21,043	20,817	19,644	19,668	22,536	19,622	56,876
209,500	0,251	0,485	0,963	0,198	-0,021	0,449	0,698	69,456	19,624	23,528	21,047	20,813	19,642	19,676	22,595	19,628	56,888
209,833	0,249	0,486	0,969	0,195	0,035	0,450	0,698	69,437	19,712	23,487	21,042	20,831	19,640	19,672	22,653	19,627	56,888
210,167	0,249	0,484	0,966	0,195	0,027	0,451	0,698	69,441	19,714	23,502	21,054	20,828	19,664	19,666	22,725	19,630	56,912
210,500	0,245	0,485	0,969	0,194	0,021	0,449	0,697	69,451	19,745	23,455	21,044	20,833	19,652	19,672	22,765	19,633	56,913
210,833	0,245	0,487	0,964	0,195	0,043	0,449	0,697	69,417	19,686	23,459	21,052	20,826	19,655	19,671	22,833	19,633	56,918
211,167	0,251	0,485	0,969	0,188	0,020	0,450	0,697	69,390	19,603	23,512	21,057	20,834	19,656	19,674	22,886	19,630	56,941
211,500	0,250	0,487	0,963	0,196	0,003	0,446	0,697	69,428	19,676	23,472	21,060	20,836	19,662	19,675	22,934	19,636	56,951
211,833	0,243	0,494	0,961	0,200	0,039	0,441	0,697	69,429	19,747	23,514	21,066	20,846	19,665	19,675	22,998	19,637	57,212
212,167	0,244	0,496	0,957	0,194	0,004	0,442	0,697	69,426	19,737	23,547	21,086	20,849	19,671	19,684	23,040	19,639	57,427
212,500	0,247	0,493	0,961	0,195	0,040	0,445	0,697	69,448	19,765	23,479	21,080	20,843	19,670	19,677	23,085	19,637	57,274
212,833	0,247	0,489	0,964	0,199	0,016	0,446	0,697	69,430	19,726	23,488	21,084	20,857	19,677	19,681	23,135	19,642	57,228
213,167	0,244	0,492	0,968	0,205	-0,026	0,443	0,695	69,415	19,742	23,436	21,065	20,859	19,682	19,691	23,189	19,642	56,773
213,500	0,243	0,496	0,971	0,192	0,038	0,441	0,695	69,435	19,770	23,437	21,075	20,859	19,679	19,687	23,240	19,646	56,807
213,834	0,240	0,494	0,975	0,193	0,008	0,444	0,695	69,433	19,761	23,419	21,067	20,851	19,676	19,684	23,279	19,644	56,817
214,167	0,241	0,491	0,969	0,198	0,024	0,445	0,695	69,443	19,763	23,465	21,079	20,856	19,682	19,696	23,334	19,647	56,928
214,500	0,244	0,492	0,963	0,199	0,038	0,445	0,695	69,461	19,733	23,490	21,065	20,858	19,681	19,689	23,384	19,647	56,932
214,834	0,248	0,491	0,961	0,207	0,022	0,445	0,695	69,481	19,764	23,496	21,071	20,862	19,688	19,693	23,440	19,651	56,932

Pellematic 56_test cat I_040321.DAT

Category: I

	1103	1105	1106	130	230	101	102	1	2	3	6	7	8	11	
Mättid	T3 inlet load side	T2 inlet boiler	T1 outlet boiler	Flow load side	Flow boiler side	Heat output load side	Heat output boiler	CO chimney	CO2 chimney	O2 chimney	Pstat	Pdyn	Tunnel velocity	Våg	Tidpunkt
Minuter	°C	°C	°C	m ³ /h	m ³ /h	W	W	ppm	%	%	Pa	Pa	m/s	kg	Klockan
203,167	42,068	58,976	72,712	0,447	0,481	7876,880	7550,941	131,495	7,206	13,415	3,892	38,422	8,002	18,842	2021-03-04 11:45
203,500	42,084	58,777	72,769	0,447	0,480	7858,218	7686,600	125,706	7,127	13,493	3,839	38,186	7,978	18,842	2021-03-04 11:46
203,833	42,084	58,665	72,734	0,448	0,480	7797,799	7733,002	134,631	6,924	13,680	3,924	38,635	8,024	18,843	2021-03-04 11:46
204,167	42,080	58,658	72,684	0,448	0,480	7782,767	7708,582	131,325	6,908	13,686	3,907	38,651	8,026	18,804	2021-03-04 11:46
204,500	42,078	58,677	72,638	0,447	0,481	7536,116	7675,568	120,840	7,014	13,617	3,843	38,677	8,029	18,749	2021-03-04 11:47
204,833	42,087	58,876	72,688	0,448	0,481	7595,544	7592,721	122,477	7,030	13,587	3,919	38,688	8,030	18,749	2021-03-04 11:47
205,167	42,084	58,975	72,743	0,450	0,481	7644,541	7569,277	125,207	7,150	13,479	3,850	38,362	7,996	18,749	2021-03-04 11:47
205,500	42,074	58,952	72,794	0,449	0,480	7633,270	7608,034	124,611	7,247	13,356	3,953	38,724	8,034	18,749	2021-03-04 11:48
205,833	42,076	58,930	72,805	0,449	0,481	7642,584	7629,939	113,535	7,499	13,095	3,919	38,544	8,015	18,749	2021-03-04 11:48
206,167	42,097	58,924	72,823	0,450	0,480	7643,031	7635,962	111,513	7,652	12,946	3,825	38,633	8,024	18,749	2021-03-04 11:48
206,500	42,106	58,916	72,830	0,449	0,480	7759,356	7645,634	115,555	7,638	12,980	3,905	38,893	8,051	18,749	2021-03-04 11:49
206,834	42,099	58,915	72,797	0,449	0,480	7874,495	7626,443	123,918	7,439	13,175	4,032	38,687	8,030	18,655	2021-03-04 11:49
207,167	42,107	58,724	72,841	0,449	0,480	7810,755	7751,893	133,327	7,308	13,310	4,084	38,391	7,999	18,749	2021-03-04 11:49
207,500	42,129	58,636	72,880	0,449	0,480	7800,380	7829,213	134,759	7,122	13,495	3,824	38,584	8,019	18,749	2021-03-04 11:50
207,834	42,140	58,653	72,826	0,449	0,480	7672,208	7789,077	134,502	7,014	13,594	3,936	38,850	8,047	18,655	2021-03-04 11:50
208,167	42,135	58,714	72,699	0,449	0,480	7550,857	7682,599	142,649	6,979	13,633	3,906	38,521	8,013	18,655	2021-03-04 11:50
208,500	42,143	58,938	72,694	0,449	0,480	7614,794	7556,636	142,234	6,963	13,639	3,808	38,522	8,013	18,655	2021-03-04 11:51
208,834	42,152	59,003	72,675	0,449	0,481	7619,969	7518,969	134,090	7,056	13,566	3,922	38,617	8,023	18,655	2021-03-04 11:51
209,167	42,146	58,981	72,713	0,450	0,480	7634,862	7542,700	132,359	7,108	13,536	3,845	38,554	8,016	18,655	2021-03-04 11:51
209,500	42,141	58,974	72,731	0,449	0,480	7621,120	7559,506	128,891	7,155	13,481	3,956	38,613	8,022	18,655	2021-03-04 11:52
209,833	42,160	58,981	72,738	0,449	0,480	7618,011	7560,390	126,534	7,133	13,495	3,894	38,720	8,033	18,655	2021-03-04 11:52
210,167	42,168	58,982	72,786	0,449	0,480	7623,259	7586,014	124,043	7,084	13,534	3,897	38,621	8,023	18,655	2021-03-04 11:52
210,500	42,165	58,988	72,820	0,450	0,481	7643,222	7602,736	115,009	7,145	13,480	3,889	38,836	8,045	18,561	2021-03-04 11:53
210,833	42,168	58,989	72,757	0,451	0,480	7654,664	7567,668	117,894	7,158	13,475	3,910	38,501	8,011	18,561	2021-03-04 11:53
211,167	42,173	58,985	72,699	0,450	0,480	7652,909	7537,963	133,493	7,133	13,513	3,767	38,704	8,032	18,561	2021-03-04 11:53
211,500	42,189	58,992	72,722	0,451	0,480	7657,221	7545,769	120,969	7,239	13,385	3,920	38,312	7,991	18,561	2021-03-04 11:54
211,833	42,185	58,993	72,740	0,450	0,480	7776,953	7554,327	110,178	7,390	13,235	4,002	38,333	7,993	18,561	2021-03-04 11:54
212,167	42,179	58,987	72,770	0,450	0,480	7896,431	7574,506	114,710	7,371	13,246	3,872	38,413	8,001	18,561	2021-03-04 11:54
212,500	42,187	58,783	72,840	0,450	0,481	7814,240	7728,064	122,594	7,290	13,349	3,908	38,446	8,005	18,561	2021-03-04 11:55
212,833	42,200	58,713	72,894	0,451	0,481	7796,180	7796,117	116,386	7,226	13,391	3,975	38,653	8,026	18,561	2021-03-04 11:55
213,167	42,201	58,723	72,885	0,450	0,480	7551,113	7780,801	111,435	7,344	13,290	4,103	38,708	8,032	18,467	2021-03-04 11:55
213,500	42,193	58,917	72,851	0,450	0,481	7570,985	7659,275	109,166	7,416	13,221	3,832	38,734	8,035	18,467	2021-03-04 11:56
213,834	42,196	59,055	72,888	0,451	0,481	7590,059	7606,855	103,961	7,310	13,308	3,867	38,992	8,061	18,467	2021-03-04 11:56
214,167	42,203	59,076	72,904	0,450	0,481	7632,774	7604,164	106,566	7,282	13,344	3,970	38,874	8,049	18,467	2021-03-04 11:56
214,500	42,200	59,042	72,856	0,450	0,480	7633,025	7588,298	116,786	7,283	13,350	3,987	38,386	7,999	18,467	2021-03-04 11:57
214,834	42,200	59,020	72,955	0,452	0,480	7661,450	7656,374	125,330	7,280	13,352	4,148	38,398	8,000	18,467	2021-03-04 11:57

Pellematic 56_test cat I_040321.DAT

Category: I

	301	302	304	305	306	308	317	1311	1312	1313	1314	1315	1316	1317	1318	1101	1102
Mättid	CO chimney	CO2 chimney	Pdyn	Pstat	Static pressure chimney	O2 chimney	Våg	Flue gas temp	Ambient	Flue gas at pitot	filter temp 1	filter temp 2	gas meter temp 1	gas meter temp 2	gasmeter temp ambient		T4 outlet load side
Minuter	VDC	VDC	VDC	VDC	VDC	VDC	VDC	°C	°C	°C	°C	°C	°C	°C	°C	°C	°C
215,167	0,251	0,489	0,963	0,194	-0,023	0,447	0,695	69,472	19,741	23,491	21,077	20,863	19,684	19,704	23,472	19,656	56,932
215,500	0,249	0,483	0,956	0,206	0,003	0,453	0,695	69,449	19,743	23,522	21,082	20,862	19,682	19,693	23,519	19,653	56,945
215,834	0,248	0,479	0,964	0,198	0,017	0,454	0,695	69,467	19,664	23,527	21,080	20,861	19,689	19,691	23,556	19,653	56,954
216,167	0,243	0,483	0,966	0,198	0,035	0,451	0,694	69,501	19,698	23,500	21,098	20,864	19,693	19,704	23,607	19,661	56,962
216,500	0,244	0,481	0,971	0,206	0,037	0,452	0,694	69,486	19,707	23,465	21,080	20,873	19,697	19,703	23,662	19,663	56,959
216,834	0,246	0,482	0,972	0,198	-0,017	0,452	0,693	69,477	19,726	23,443	21,095	20,879	19,706	19,713	23,704	19,671	56,992
217,167	0,247	0,481	0,965	0,202	0,004	0,455	0,693	69,435	19,746	23,429	21,086	20,873	19,705	19,707	23,751	19,666	56,984
217,500	0,247	0,478	0,968	0,207	0,002	0,455	0,694	69,431	19,729	23,450	21,094	20,871	19,711	19,712	23,795	19,669	57,006
217,833	0,245	0,479	0,973	0,198	0,067	0,455	0,694	69,398	19,692	23,467	21,093	20,868	19,706	19,718	23,844	19,670	57,000
218,167	0,247	0,479	0,973	0,200	-0,028	0,456	0,693	69,432	19,739	23,444	21,103	20,880	19,698	19,715	23,902	19,674	57,012
218,500	0,249	0,477	0,965	0,195	0,084	0,458	0,693	69,467	19,742	23,433	21,091	20,885	19,716	19,722	23,932	19,677	57,008
218,833	0,252	0,475	0,963	0,193	0,020	0,458	0,693	69,500	19,745	23,484	21,096	20,863	19,708	19,719	23,979	19,673	57,031
219,167	0,249	0,481	0,961	0,193	-0,023	0,451	0,693	69,513	19,745	23,447	21,087	20,865	19,705	19,710	24,014	19,673	57,028
219,500	0,246	0,484	0,967	0,203	0,007	0,451	0,693	69,522	19,721	23,442	21,092	20,872	19,720	19,719	24,070	19,679	57,033
219,833	0,250	0,479	0,969	0,203	0,002	0,456	0,692	69,469	19,598	23,460	21,085	20,868	19,705	19,715	24,096	19,675	57,046
220,167	0,249	0,475	0,966	0,196	0,059	0,459	0,693	69,487	19,659	23,453	21,083	20,864	19,700	19,720	24,144	19,673	57,053
220,500	0,247	0,476	0,955	0,198	0,032	0,456	0,692	69,490	19,684	23,449	21,091	20,864	19,716	19,724	24,198	19,674	57,064
220,833	0,245	0,481	0,963	0,192	0,084	0,452	0,692	69,486	19,707	23,477	21,080	20,863	19,724	19,715	24,242	19,673	57,064
221,167	0,246	0,484	0,958	0,200	0,028	0,450	0,692	69,471	19,698	23,483	21,087	20,880	19,715	19,726	24,290	19,677	57,078
221,500	0,245	0,485	0,963	0,194	0,045	0,449	0,691	69,510	19,711	23,542	21,094	20,878	19,717	19,717	24,335	19,677	56,983
221,834	0,243	0,487	0,958	0,197	-0,014	0,448	0,692	69,538	19,723	23,522	21,104	20,882	19,726	19,733	24,367	19,682	56,985
222,167	0,243	0,492	0,962	0,200	0,013	0,443	0,690	69,521	19,713	23,422	21,100	20,881	19,730	19,728	24,411	19,680	56,986
222,500	0,246	0,496	0,960	0,198	0,004	0,441	0,690	69,516	19,767	23,412	21,106	20,879	19,725	19,733	24,456	19,684	56,996
222,834	0,251	0,493	0,969	0,197	0,065	0,445	0,690	69,511	19,751	23,442	21,098	20,880	19,726	19,731	24,484	19,682	57,029
223,167	0,254	0,485	0,966	0,195	0,032	0,453	0,690	69,534	19,615	23,443	21,113	20,888	19,742	19,739	24,529	19,686	57,023
223,500	0,257	0,474	0,971	0,201	-0,002	0,461	0,690	69,538	19,603	23,396	21,101	20,882	19,740	19,745	24,572	19,690	57,041
223,834	0,259	0,468	0,958	0,199	0,033	0,464	0,690	69,527	19,655	23,438	21,110	20,881	19,748	19,738	24,613	19,692	57,079
224,167	0,258	0,469	0,960	0,201	0,030	0,464	0,690	69,530	19,685	23,457	21,118	20,887	19,756	19,744	24,658	19,697	57,085
224,500	0,259	0,468	0,963	0,195	0,017	0,464	0,690	69,528	19,665	23,416	21,097	20,872	19,753	19,739	24,693	19,688	57,061
224,833	0,256	0,469	0,964	0,200	0,000	0,462	0,690	69,523	19,735	23,418	21,112	20,884	19,748	19,741	24,746	19,696	57,083
225,167	0,252	0,472	0,970	0,192	0,068	0,460	0,690	69,503	19,752	23,381	21,112	20,897	19,748	19,746	24,791	19,700	57,112
225,500	0,256	0,469	0,960	0,201	-0,023	0,466	0,690	69,523	19,756	23,392	21,106	20,890	19,747	19,744	24,827	19,695	57,090
225,833	0,263	0,459	0,966	0,201	0,025	0,474	0,689	69,516	19,758	23,439	21,121	20,896	19,752	19,750	24,872	19,700	57,089
226,167	0,265	0,453	0,967	0,203	0,067	0,478	0,689	69,519	19,765	23,477	21,128	20,902	19,742	19,737	24,905	19,696	57,026
226,500	0,267	0,449	0,961	0,201	-0,004	0,481	0,689	69,529	19,752	23,475	21,128	20,905	19,754	19,735	24,940	19,698	56,616
226,833	0,271	0,446	0,960	0,201	0,065	0,484	0,689	69,523	19,703	23,477	21,130	20,900	19,758	19,756	24,999	19,704	56,740

Pellematic 56_test cat I_040321.DAT

Category: I

	1103	1105	1106	130	230	101	102	1	2	3	6	7	8	11	
Mättid	T3 inlet load side	T2 inlet boiler	T1 outlet boiler	Flow load side	Flow boiler side	Heat output load side	Heat output boiler	CO chimney	CO2 chimney	O2 chimney	Pstat	Pdyn	Tunnel velocity	Våg	Tidpunkt
Minuter	°C	°C	°C	m ³ /h	m ³ /h	W	W	ppm	%	%	Pa	Pa	m/s	kg	Klockan
215,167	42,206	59,011	72,901	0,451	0,481	7646,876	7635,836	129,807	7,215	13,424	3,885	38,448	8,005	18,467	2021-03-04 11:57
215,500	42,218	59,011	72,936	0,451	0,480	7650,942	7652,393	123,108	7,023	13,579	4,121	38,049	7,963	18,467	2021-03-04 11:58
215,834	42,226	59,017	72,916	0,451	0,480	7644,785	7635,683	122,173	6,962	13,613	3,968	38,722	8,033	18,467	2021-03-04 11:58
216,167	42,226	59,022	72,952	0,451	0,480	7655,046	7651,667	110,337	7,091	13,524	3,957	38,673	8,028	18,343	2021-03-04 11:58
216,500	42,240	59,029	72,946	0,451	0,480	7633,633	7647,476	115,040	7,018	13,574	4,113	38,648	8,026	18,343	2021-03-04 11:59
216,834	42,268	59,050	73,029	0,451	0,480	7642,751	7682,916	117,776	7,064	13,560	3,950	38,764	8,038	18,343	2021-03-04 11:59
217,167	42,281	59,056	73,015	0,450	0,481	7619,274	7674,627	121,839	6,994	13,648	4,036	38,474	8,008	18,342	2021-03-04 11:59
217,500	42,276	59,064	72,964	0,451	0,480	7642,811	7637,957	118,147	6,953	13,660	4,132	38,878	8,050	18,343	2021-03-04 12:00
217,833	42,285	59,076	73,015	0,450	0,480	7624,041	7660,651	115,261	6,967	13,646	3,952	38,786	8,040	18,467	2021-03-04 12:00
218,167	42,303	59,086	73,150	0,451	0,481	7636,261	7729,915	120,573	6,956	13,669	4,006	38,927	8,055	18,343	2021-03-04 12:00
218,500	42,313	59,094	73,071	0,450	0,481	7615,202	7689,853	126,622	6,899	13,749	3,893	38,440	8,004	18,343	2021-03-04 12:01
218,833	42,307	59,098	73,030	0,451	0,481	7637,594	7661,935	133,355	6,894	13,725	3,854	38,402	8,000	18,342	2021-03-04 12:01
219,167	42,312	59,100	72,928	0,451	0,480	7631,652	7597,279	120,960	7,085	13,540	3,866	38,515	8,012	18,249	2021-03-04 12:01
219,500	42,332	59,106	73,032	0,451	0,480	7627,708	7651,007	121,934	7,093	13,543	4,064	38,679	8,029	18,249	2021-03-04 12:02
219,833	42,353	59,125	73,011	0,450	0,481	7607,021	7634,190	127,125	6,930	13,695	4,062	39,008	8,063	18,249	2021-03-04 12:02
220,167	42,349	59,126	73,055	0,450	0,480	7608,674	7655,496	123,440	6,852	13,757	3,918	38,685	8,030	18,343	2021-03-04 12:02
220,500	42,345	59,143	73,062	0,450	0,481	7620,047	7653,431	119,303	6,916	13,677	3,956	38,581	8,019	18,249	2021-03-04 12:03
220,833	42,353	59,148	73,086	0,450	0,481	7613,192	7666,828	116,127	7,066	13,557	3,836	38,522	8,013	18,249	2021-03-04 12:03
221,167	42,369	59,159	73,018	0,449	0,481	7607,782	7620,460	115,797	7,120	13,509	3,999	38,060	7,965	18,249	2021-03-04 12:03
221,500	42,374	59,160	72,924	0,449	0,481	7558,719	7572,215	115,797	7,146	13,484	3,888	38,494	8,010	18,249	2021-03-04 12:04
221,834	42,373	59,192	72,913	0,450	0,481	7564,394	7546,143	110,850	7,177	13,432	3,946	38,011	7,959	18,249	2021-03-04 12:04
222,167	42,370	59,241	72,867	0,449	0,481	7552,815	7489,738	111,093	7,338	13,280	4,005	38,676	8,029	18,155	2021-03-04 12:04
222,500	42,374	59,270	72,884	0,449	0,481	7554,276	7484,772	120,616	7,410	13,222	3,961	38,332	7,993	18,155	2021-03-04 12:05
222,834	42,376	59,279	72,899	0,449	0,481	7569,655	7488,498	132,011	7,276	13,358	3,931	38,940	8,056	18,156	2021-03-04 12:05
223,167	42,376	59,290	72,895	0,447	0,481	7541,614	7483,739	139,541	7,051	13,596	3,901	38,471	8,007	18,155	2021-03-04 12:05
223,500	42,386	59,307	72,896	0,448	0,481	7549,987	7472,023	148,110	6,779	13,844	4,027	38,792	8,041	18,155	2021-03-04 12:06
223,834	42,388	59,307	72,933	0,449	0,481	7590,188	7492,467	150,866	6,689	13,910	3,974	38,131	7,972	18,155	2021-03-04 12:06
224,167	42,373	59,327	72,929	0,448	0,481	7584,141	7478,976	148,695	6,707	13,911	4,011	38,543	8,015	18,155	2021-03-04 12:06
224,500	42,372	59,335	72,917	0,448	0,481	7572,774	7467,834	149,540	6,708	13,914	3,909	38,562	8,017	18,155	2021-03-04 12:07
224,833	42,400	59,340	72,912	0,447	0,481	7558,184	7464,705	139,021	6,750	13,863	3,990	38,567	8,017	18,155	2021-03-04 12:07
225,167	42,423	59,357	72,951	0,447	0,481	7565,476	7474,172	132,913	6,823	13,814	3,841	38,676	8,029	18,156	2021-03-04 12:07
225,500	42,417	59,369	72,956	0,448	0,481	7569,154	7469,118	146,408	6,654	13,989	4,022	38,106	7,969	18,062	2021-03-04 12:08
225,833	42,414	59,375	72,953	0,449	0,481	7576,989	7464,301	165,818	6,406	14,224	4,011	38,453	8,005	18,062	2021-03-04 12:08
226,167	42,450	59,374	72,961	0,448	0,481	7508,292	7470,957	162,880	6,296	14,334	4,054	38,659	8,027	18,062	2021-03-04 12:08
226,500	42,486	59,386	72,953	0,447	0,481	7270,532	7461,392	172,874	6,212	14,428	4,024	38,339	7,994	18,061	2021-03-04 12:09
226,833	42,501	59,586	72,988	0,447	0,481	7320,169	7371,539	185,593	6,124	14,521	4,015	38,344	7,994	18,062	2021-03-04 12:09

Pellematic 56_test cat I_040321.DAT

Category: I

	301	302	304	305	306	308	317	1311	1312	1313	1314	1315	1316	1317	1318	1101	1102
Mättid	CO chimney	CO2 chimney	Pdyn	Pstat	Static pressure chimney	O2 chimney	Våg	Flue gas temp	Ambient	Flue gas at pitot	filter temp 1	filter temp 2	gas meter temp 1	gas meter temp 2	gasmeter temp ambient		T4 outlet load side
Minuter	VDC	VDC	VDC	VDC	VDC	VDC	VDC	°C	°C	°C	°C	°C	°C	°C	°C	°C	°C
227,167	0,275	0,443	0,961	0,197	-0,014	0,485	0,688	69,540	19,727	23,469	21,116	20,898	19,764	19,748	25,038	19,701	56,751
227,500	0,272	0,447	0,966	0,190	0,029	0,479	0,689	69,549	19,703	23,490	21,119	20,903	19,761	19,756	25,067	19,704	56,760
227,833	0,260	0,458	0,966	0,194	0,060	0,469	0,689	69,548	19,720	23,417	21,118	20,897	19,771	19,753	25,114	19,705	57,246
228,167	0,256	0,467	0,967	0,200	0,009	0,464	0,688	69,549	19,709	23,454	21,114	20,909	19,764	19,756	25,148	19,702	57,176
228,500	0,258	0,466	0,963	0,198	-0,003	0,466	0,689	69,580	19,739	23,461	21,144	20,910	19,777	19,767	25,201	19,709	57,123
228,833	0,262	0,462	0,966	0,192	0,056	0,469	0,687	69,562	19,737	23,444	21,110	20,899	19,768	19,755	25,231	19,708	57,133
229,167	0,260	0,462	0,970	0,200	-0,017	0,468	0,687	69,579	19,751	23,485	21,128	20,912	19,775	19,764	25,279	19,714	56,920
229,500	0,257	0,464	0,964	0,205	0,067	0,467	0,687	69,570	19,751	23,485	21,118	20,902	19,773	19,754	25,311	19,712	56,692
229,834	0,256	0,465	0,961	0,198	0,027	0,465	0,687	69,557	19,755	23,481	21,120	20,896	19,774	19,774	25,346	19,716	56,837
230,167	0,256	0,466	0,955	0,194	0,029	0,466	0,687	69,557	19,758	23,471	21,121	20,910	19,774	19,766	25,377	19,714	56,841
230,500	0,255	0,467	0,962	0,184	0,067	0,464	0,687	69,557	19,752	23,414	21,099	20,897	19,774	19,756	25,404	19,709	56,839
230,834	0,253	0,473	0,963	0,200	0,028	0,458	0,686	69,550	19,760	23,419	21,117	20,905	19,773	19,770	25,449	19,713	56,855
231,167	0,251	0,480	0,961	0,196	0,038	0,454	0,686	69,584	19,731	23,438	21,103	20,908	19,773	19,767	25,480	19,714	56,871
231,500	0,252	0,477	0,961	0,204	0,024	0,459	0,686	69,581	19,784	23,464	21,119	20,896	19,783	19,766	25,508	19,712	57,083
231,834	0,253	0,471	0,964	0,197	-0,038	0,463	0,686	69,568	19,762	23,413	21,115	20,902	19,790	19,775	25,532	19,716	57,302
232,167	0,255	0,468	0,974	0,199	0,093	0,464	0,685	69,576	19,727	23,389	21,126	20,902	19,791	19,770	25,574	19,720	57,217
232,500	0,256	0,466	0,958	0,191	0,030	0,467	0,685	69,564	19,646	23,367	21,113	20,910	19,804	19,771	25,612	19,724	57,220
232,833	0,258	0,462	0,964	0,196	-0,040	0,470	0,685	69,576	19,665	23,424	21,138	20,916	19,803	19,799	25,650	19,733	56,821
233,167	0,260	0,457	0,957	0,199	0,072	0,474	0,685	69,615	19,632	23,482	21,141	20,913	19,807	19,778	25,674	19,729	56,749
233,500	0,260	0,457	0,961	0,202	0,020	0,472	0,685	69,598	19,652	23,474	21,147	20,920	19,809	19,784	25,706	19,730	56,879
233,833	0,259	0,460	0,966	0,203	0,001	0,471	0,685	69,574	19,663	23,415	21,136	20,895	19,812	19,782	25,723	19,729	56,872
234,167	0,261	0,458	0,959	0,206	0,048	0,473	0,685	69,598	19,676	23,457	21,138	20,911	19,802	19,787	25,760	19,728	56,875
234,500	0,263	0,460	0,963	0,202	0,030	0,468	0,685	69,615	19,659	23,453	21,140	20,908	19,811	19,792	25,789	19,729	56,875
234,833	0,254	0,474	0,962	0,205	0,024	0,455	0,684	69,647	19,517	23,473	21,152	20,924	19,817	19,797	25,830	19,740	56,871
235,167	0,245	0,487	0,962	0,193	0,009	0,444	0,684	69,684	19,554	23,463	21,154	20,932	19,819	19,807	25,860	19,740	56,857
235,500	0,242	0,499	0,965	0,198	0,026	0,437	0,684	69,695	19,564	23,436	21,129	20,911	19,812	19,795	25,875	19,732	57,345
235,833	0,242	0,500	0,960	0,201	0,011	0,438	0,684	69,696	19,529	23,510	21,155	20,925	19,824	19,794	25,922	19,740	57,214
236,167	0,243	0,496	0,961	0,200	-0,041	0,441	0,684	69,697	19,553	23,469	21,158	20,929	19,829	19,803	25,947	19,746	57,206
236,500	0,243	0,496	0,970	0,196	0,025	0,440	0,684	69,662	19,588	23,483	21,151	20,913	19,816	19,797	25,975	19,734	56,730
236,834	0,242	0,499	0,956	0,200	0,003	0,438	0,683	69,663	19,612	23,455	21,148	20,916	19,815	19,793	26,003	19,734	56,866
237,167	0,246	0,498	0,956	0,202	0,054	0,440	0,683	69,671	19,620	23,528	21,153	20,925	19,812	19,806	26,029	19,734	56,878
237,500	0,250	0,495	0,960	0,193	-0,041	0,443	0,682	69,701	19,523	23,469	21,147	20,917	19,809	19,795	26,058	19,733	56,880
237,834	0,252	0,491	0,957	0,203	0,033	0,446	0,683	69,696	19,541	23,450	21,157	20,941	19,816	19,797	26,078	19,740	56,893
238,167	0,253	0,485	0,951	0,195	0,070	0,450	0,682	69,718	19,599	23,437	21,151	20,932	19,811	19,792	26,096	19,738	56,887
238,500	0,252	0,484	0,952	0,196	-0,024	0,451	0,682	69,715	19,616	23,459	21,149	20,926	19,828	19,791	26,133	19,738	56,903
238,834	0,252	0,486	0,965	0,198	0,070	0,449	0,682	69,725	19,648	23,427	21,142	20,918	19,831	19,801	26,163	19,742	57,410

Pellematic 56_test cat I_040321.DAT

Category: I

	1103	1105	1106	130	230	101	102	1	2	3	6	7	8	11	
Mättid	T3 inlet load side	T2 inlet boiler	T1 outlet boiler	Flow load side	Flow boiler side	Heat output load side	Heat output boiler	CO chimney	CO2 chimney	O2 chimney	Pstat	Pdyn	Tunnel velocity	Våg	Tidpunkt
Minuter	°C	°C	°C	m ³ /h	m ³ /h	W	W	ppm	%	%	Pa	Pa	m/s	kg	Klockan
227,167	42,507	59,697	72,990	0,446	0,481	7319,788	7317,684	191,178	6,078	14,540	3,948	38,301	7,990	18,061	2021-03-04 12:09
227,500	42,523	59,728	73,002	0,447	0,481	7323,709	7302,435	179,182	6,215	14,378	3,808	38,605	8,021	18,062	2021-03-04 12:10
227,833	42,548	59,724	72,906	0,447	0,481	7558,285	7250,531	148,391	6,514	14,081	3,879	38,795	8,041	18,062	2021-03-04 12:10
228,167	42,574	59,557	72,915	0,446	0,481	7501,747	7345,793	144,835	6,696	13,926	3,993	38,671	8,028	18,062	2021-03-04 12:10
228,500	42,580	59,437	72,953	0,445	0,481	7454,529	7434,256	148,780	6,644	13,994	3,966	38,742	8,036	18,062	2021-03-04 12:11
228,833	42,589	59,466	72,926	0,446	0,481	7471,649	7403,679	158,346	6,547	14,077	3,842	38,736	8,035	17,968	2021-03-04 12:11
229,167	42,616	59,493	72,936	0,445	0,481	7321,916	7398,205	151,046	6,565	14,049	4,005	38,767	8,038	17,968	2021-03-04 12:11
229,500	42,653	59,516	72,944	0,446	0,481	7208,036	7384,902	145,001	6,606	14,010	4,104	38,630	8,024	17,968	2021-03-04 12:12
229,834	42,668	59,733	72,951	0,446	0,481	7270,081	7270,727	144,150	6,653	13,959	3,952	38,497	8,010	17,968	2021-03-04 12:12
230,167	42,673	59,809	72,967	0,445	0,482	7262,502	7246,730	143,325	6,632	13,979	3,882	38,252	7,985	17,968	2021-03-04 12:12
230,500	42,682	59,823	72,955	0,445	0,481	7253,389	7222,254	138,704	6,698	13,920	3,686	38,409	8,001	17,968	2021-03-04 12:13
230,834	42,697	59,836	72,945	0,445	0,481	7258,296	7211,143	132,414	6,878	13,735	3,993	38,523	8,013	17,843	2021-03-04 12:13
231,167	42,707	59,836	72,951	0,445	0,481	7255,005	7212,036	132,254	7,035	13,606	3,928	38,366	7,997	17,843	2021-03-04 12:13
231,500	42,699	59,848	72,973	0,445	0,481	7359,817	7218,004	133,099	6,849	13,775	4,070	38,543	8,015	17,843	2021-03-04 12:14
231,834	42,699	59,848	72,953	0,443	0,481	7452,231	7209,298	137,866	6,746	13,882	3,943	38,625	8,023	17,968	2021-03-04 12:14
232,167	42,717	59,685	72,957	0,443	0,481	7397,111	7300,197	142,229	6,690	13,935	3,990	39,074	8,070	17,842	2021-03-04 12:14
232,500	42,724	59,640	72,953	0,444	0,481	7405,601	7320,589	143,520	6,625	14,019	3,827	38,095	7,968	17,843	2021-03-04 12:15
232,833	42,718	59,638	73,009	0,443	0,481	7185,480	7351,724	149,518	6,534	14,112	3,925	38,604	8,021	17,843	2021-03-04 12:15
233,167	42,706	59,719	73,021	0,442	0,481	7151,591	7315,779	154,994	6,389	14,223	3,983	38,361	7,996	17,843	2021-03-04 12:15
233,500	42,710	59,935	73,059	0,443	0,481	7226,421	7221,282	153,365	6,442	14,165	4,035	38,399	8,000	17,843	2021-03-04 12:16
233,833	42,715	59,954	73,074	0,443	0,481	7221,469	7220,463	149,617	6,485	14,137	4,058	38,631	8,024	17,843	2021-03-04 12:16
234,167	42,713	59,940	73,061	0,442	0,481	7210,246	7215,788	159,254	6,451	14,179	4,114	38,088	7,967	17,842	2021-03-04 12:16
234,500	42,696	59,942	73,028	0,442	0,481	7209,367	7197,180	155,201	6,571	14,040	4,034	38,534	8,014	17,749	2021-03-04 12:17
234,833	42,681	59,962	73,010	0,442	0,481	7215,193	7178,335	129,309	6,979	13,654	4,096	38,336	7,993	17,749	2021-03-04 12:17
235,167	42,677	59,968	73,010	0,441	0,481	7203,022	7174,997	112,524	7,268	13,329	3,851	38,418	8,002	17,749	2021-03-04 12:17
235,500	42,681	59,966	73,028	0,440	0,481	7428,773	7183,713	108,036	7,498	13,117	3,968	38,366	7,996	17,749	2021-03-04 12:18
235,833	42,669	59,819	73,082	0,440	0,481	7370,639	7292,876	107,065	7,477	13,150	4,014	38,371	7,997	17,749	2021-03-04 12:18
236,167	42,651	59,712	73,080	0,441	0,481	7382,694	7352,312	112,593	7,383	13,240	4,001	38,519	8,012	17,749	2021-03-04 12:18
236,500	42,639	59,723	73,107	0,441	0,481	7145,691	7358,363	106,139	7,425	13,199	3,926	38,707	8,032	17,749	2021-03-04 12:19
236,834	42,635	59,840	73,121	0,440	0,481	7204,887	7309,620	110,542	7,476	13,155	3,992	37,945	7,952	17,655	2021-03-04 12:19
237,167	42,628	60,007	73,220	0,440	0,481	7216,023	7271,962	122,424	7,445	13,187	4,039	38,014	7,960	17,749	2021-03-04 12:19
237,500	42,611	60,019	73,181	0,441	0,481	7238,525	7242,297	128,798	7,350	13,279	3,850	38,240	7,983	17,655	2021-03-04 12:20
237,834	42,606	60,027	73,137	0,440	0,481	7240,435	7213,638	131,874	7,262	13,376	4,052	38,269	7,986	17,655	2021-03-04 12:20
238,167	42,594	60,029	73,162	0,439	0,481	7228,764	7228,153	133,591	7,111	13,515	3,906	37,795	7,937	17,655	2021-03-04 12:20
238,500	42,577	60,037	73,186	0,440	0,481	7249,212	7234,769	132,831	7,106	13,515	3,921	38,263	7,986	17,655	2021-03-04 12:21
238,834	42,558	60,042	73,192	0,440	0,481	7520,573	7231,844	133,828	7,152	13,481	3,964	38,408	8,001	17,655	2021-03-04 12:21

Pellematic 56_test cat I_040321.DAT

Category: I

	301	302	304	305	306	308	317	1311	1312	1313	1314	1315	1316	1317	1318	1101	1102
Mättid	CO chimney	CO2 chimney	Pdyn	Pstat	Static pressure chimney	O2 chimney	Våg	Flue gas temp	Ambient	Flue gas at pitot	filter temp 1	filter temp 2	gas meter temp 1	gas meter temp 2	gasmeter temp ambient		T4 outlet load side
Minuter	VDC	VDC	VDC	VDC	VDC	VDC	VDC	°C	°C	°C	°C	°C	°C	°C	°C	°C	°C
239,167	0,250	0,487	0,964	0,194	0,028	0,447	0,682	69,738	19,662	23,416	21,153	20,928	19,836	19,809	26,200	19,750	57,246
239,500	0,248	0,491	0,961	0,200	0,045	0,445	0,682	69,741	19,659	23,449	21,133	20,929	19,831	19,801	26,228	19,742	57,246
239,834	0,250	0,485	0,963	0,198	0,029	0,452	0,682	69,725	19,637	23,492	21,143	20,928	19,828	19,804	26,256	19,741	57,023
240,167	0,253	0,478	0,965	0,194	0,016	0,457	0,681	69,734	19,666	23,428	21,140	20,928	19,841	19,809	26,285	19,746	56,792
240,500	0,260	0,473	0,949	0,197	-0,015	0,460	0,681	69,728	19,673	23,404	21,136	20,923	19,828	19,802	26,308	19,743	56,944
240,833	0,258	0,473	0,956	0,195	0,098	0,458	0,682	69,753	19,697	23,422	21,137	20,919	19,831	19,807	26,344	19,745	56,899
241,167	0,255	0,481	0,958	0,201	-0,038	0,450	0,682	69,746	19,694	23,498	21,152	20,929	19,839	19,807	26,378	19,749	56,879
241,500	0,254	0,487	0,964	0,199	0,015	0,448	0,681	69,724	19,664	23,427	21,150	20,928	19,832	19,817	26,393	19,748	56,869
241,833	0,254	0,487	0,958	0,201	0,002	0,447	0,682	69,737	19,689	23,412	21,139	20,927	19,846	19,820	26,428	19,748	56,861
242,167	0,252	0,487	0,962	0,197	0,003	0,448	0,680	69,727	19,720	23,434	21,147	20,942	19,846	19,822	26,455	19,751	57,091
242,500	0,253	0,486	0,963	0,196	0,082	0,449	0,681	69,735	19,723	23,388	21,149	20,773	19,851	19,830	26,469	19,757	57,302
242,833	0,254	0,483	0,959	0,196	0,000	0,451	0,679	69,790	19,751	23,384	21,149	6,330	19,856	19,835	26,508	19,757	57,226
243,167	0,252	0,486	0,964	0,199	0,034	0,447	0,681	69,808	19,770	23,433	21,149	34,453	19,848	19,838	26,532	19,755	57,241
243,500	0,247	0,490	0,965	0,195	0,039	0,444	0,679	69,793	19,766	23,438	21,149	20,072	19,854	19,843	26,553	19,758	56,738
243,833	0,243	0,494	0,962	0,202	0,018	0,441	0,679	69,800	19,790	23,462	21,160	20,135	19,849	19,832	26,570	19,755	56,834
244,167	0,243	0,495	0,963	0,198	0,001	0,442	0,679	69,811	19,795	23,455	21,167	20,274	19,874	19,836	26,600	19,762	56,920
244,500	0,247	0,492	0,965	0,199	0,026	0,446	0,679	69,807	19,818	23,452	21,160	20,346	19,862	19,829	26,608	19,760	56,922
244,834	0,250	0,487	0,959	0,199	0,025	0,449	0,679	69,819	19,737	23,495	21,183	20,381	19,865	19,845	26,646	19,766	56,954
245,167	0,253	0,484	0,957	0,191	0,028	0,451	0,680	69,837	19,627	23,450	21,168	20,408	19,859	19,824	26,667	19,759	56,930
245,500	0,251	0,484	0,957	0,193	0,020	0,450	0,678	69,831	19,732	23,435	21,165	20,421	19,870	19,827	26,673	19,765	56,934
245,834	0,253	0,484	0,967	0,200	0,030	0,452	0,678	69,851	19,794	23,478	21,185	20,447	19,871	19,840	26,701	19,767	56,952
246,167	0,256	0,479	0,957	0,193	0,007	0,456	0,678	69,872	19,792	23,426	21,173	20,470	19,874	19,835	26,739	19,765	57,180
246,500	0,258	0,475	0,955	0,192	0,051	0,459	0,678	69,859	19,754	23,471	21,177	20,473	19,870	19,839	26,761	19,763	57,422
246,834	0,258	0,473	0,960	0,194	-0,025	0,461	0,678	69,829	19,718	23,424	21,168	20,484	19,876	19,835	26,796	19,765	57,335
247,167	0,263	0,467	0,958	0,200	0,071	0,467	0,678	69,853	19,756	23,417	21,185	20,507	19,877	19,850	26,807	19,770	57,065
247,500	0,269	0,461	0,963	0,199	0,027	0,471	0,678	69,850	19,794	23,490	21,184	20,518	19,879	19,849	26,826	19,775	56,829
247,833	0,272	0,460	0,961	0,198	-0,023	0,471	0,678	69,845	19,805	23,478	21,178	20,524	19,875	19,838	26,840	19,769	56,914
248,167	0,272	0,460	0,966	0,200	0,018	0,472	0,676	69,848	19,809	23,425	21,173	20,541	19,876	19,842	26,866	19,771	56,992
248,500	0,267	0,460	0,957	0,199	0,082	0,470	0,677	69,878	19,823	23,467	21,172	20,547	19,886	19,852	26,890	19,773	57,006
248,833	0,260	0,461	0,964	0,199	-0,032	0,469	0,679	69,864	19,824	23,456	21,183	20,556	19,892	19,864	26,926	19,776	57,047
249,167	0,254	0,466	0,970	0,189	0,001	0,464	0,676	69,859	19,834	23,511	21,199	20,569	19,892	19,862	26,966	19,783	57,062
249,500	0,250	0,469	0,959	0,200	0,098	0,462	0,674	69,878	19,820	23,476	21,191	20,577	19,891	19,858	26,979	19,781	57,063
249,833	0,247	0,473	0,963	0,199	-0,030	0,459	0,677	69,882	19,819	23,484	21,189	20,587	19,888	19,862	26,978	19,781	57,066
250,167	0,250	0,472	0,965	0,201	0,026	0,462	0,683	69,865	19,813	23,513	21,204	20,592	19,897	19,861	27,011	19,782	57,078
250,500	0,251	0,470	0,967	0,198	0,052	0,462	0,676	69,890	19,810	23,506	21,199	20,603	19,908	19,874	27,027	19,789	57,072
250,833	0,249	0,474	0,966	0,201	0,049	0,458	0,675	69,887	19,817	23,506	21,207	20,617	19,901	19,864	27,043	19,788	57,062

Pellematic 56_test cat I_040321.DAT

Category: I

	1103	1105	1106	130	230	101	102	1	2	3	6	7	8	11	
Mättid	T3 inlet load side	T2 inlet boiler	T1 outlet boiler	Flow load side	Flow boiler side	Heat output load side	Heat output boiler	CO chimney	CO2 chimney	O2 chimney	Pstat	Pdyn	Tunnel velocity	Våg	Tidpunkt
Minuter	°C	°C	°C	m ³ /h	m ³ /h	W	W	ppm	%	%	Pa	Pa	m/s	kg	Klockan
239,167	42,537	59,916	73,224	0,439	0,481	7432,843	7325,203	123,818	7,208	13,405	3,877	38,769	8,038	17,655	2021-03-04 12:21
239,500	42,519	59,789	73,284	0,439	0,481	7445,416	7418,050	124,858	7,283	13,354	3,992	38,518	8,012	17,655	2021-03-04 12:22
239,834	42,507	59,792	73,350	0,440	0,481	7346,710	7462,566	127,885	7,069	13,547	3,964	38,427	8,003	17,655	2021-03-04 12:22
240,167	42,500	59,801	73,322	0,439	0,481	7218,498	7440,774	139,244	6,909	13,714	3,875	38,424	8,003	17,562	2021-03-04 12:22
240,500	42,487	60,019	73,374	0,438	0,481	7291,765	7351,206	154,237	6,820	13,788	3,943	38,004	7,959	17,562	2021-03-04 12:23
240,833	42,475	60,105	73,417	0,438	0,481	7279,116	7323,620	144,671	6,843	13,735	3,902	38,044	7,963	17,561	2021-03-04 12:23
241,167	42,462	60,090	73,362	0,439	0,481	7279,663	7299,184	138,788	7,083	13,505	4,026	38,371	7,997	17,562	2021-03-04 12:23
241,500	42,451	60,095	73,400	0,438	0,481	7277,391	7321,327	140,126	7,177	13,433	3,979	38,683	8,029	17,561	2021-03-04 12:24
241,833	42,438	60,104	73,406	0,439	0,481	7289,099	7317,454	134,951	7,177	13,423	4,027	38,269	7,986	17,655	2021-03-04 12:24
242,167	42,424	60,101	73,349	0,440	0,481	7420,544	7292,822	131,740	7,153	13,428	3,935	38,561	8,017	17,467	2021-03-04 12:24
242,500	42,415	60,089	73,268	0,437	0,481	7484,281	7252,222	135,272	7,140	13,461	3,921	38,480	8,008	17,561	2021-03-04 12:25
242,833	42,406	59,922	73,285	0,436	0,481	7446,157	7351,066	138,041	7,071	13,520	3,922	38,008	7,959	17,468	2021-03-04 12:25
243,167	42,396	59,887	73,358	0,437	0,481	7461,872	7413,679	132,585	7,202	13,406	3,977	38,642	8,025	17,561	2021-03-04 12:25
243,500	42,381	59,888	73,360	0,437	0,481	7216,757	7410,422	117,306	7,276	13,319	3,891	38,604	8,021	17,467	2021-03-04 12:26
243,833	42,392	60,013	73,333	0,437	0,481	7270,652	7331,071	108,165	7,395	13,231	4,041	38,346	7,994	17,468	2021-03-04 12:26
244,167	42,391	60,183	73,333	0,438	0,481	7318,809	7235,824	111,264	7,372	13,264	3,950	38,492	8,010	17,468	2021-03-04 12:26
244,500	42,382	60,178	73,410	0,438	0,481	7324,013	7280,264	121,440	7,270	13,373	3,978	38,604	8,021	17,468	2021-03-04 12:27
244,834	42,366	60,171	73,392	0,437	0,481	7346,507	7275,573	130,819	7,162	13,472	3,983	38,286	7,988	17,468	2021-03-04 12:27
245,167	42,367	60,176	73,447	0,437	0,481	7331,098	7301,354	135,515	7,099	13,525	3,825	38,091	7,968	17,561	2021-03-04 12:27
245,500	42,374	60,184	73,539	0,437	0,481	7324,413	7347,868	132,452	7,120	13,509	3,851	38,258	7,985	17,468	2021-03-04 12:28
245,834	42,366	60,188	73,602	0,437	0,481	7345,022	7379,007	137,854	7,069	13,575	4,010	38,477	8,008	17,345	2021-03-04 12:28
246,167	42,360	60,206	73,667	0,437	0,480	7452,764	7392,917	145,317	6,960	13,683	3,868	38,214	7,981	17,345	2021-03-04 12:28
246,500	42,366	60,188	73,650	0,435	0,481	7546,248	7398,953	147,007	6,852	13,769	3,846	38,378	7,998	17,345	2021-03-04 12:29
246,834	42,380	60,013	73,638	0,436	0,481	7503,766	7488,731	149,292	6,807	13,826	3,884	38,118	7,971	17,345	2021-03-04 12:29
247,167	42,382	59,972	73,658	0,435	0,481	7348,197	7521,294	163,790	6,626	14,006	4,005	38,440	8,004	17,345	2021-03-04 12:29
247,500	42,377	60,036	73,712	0,436	0,481	7257,839	7517,979	177,652	6,490	14,141	3,976	38,609	8,022	17,345	2021-03-04 12:30
247,833	42,365	60,243	73,640	0,436	0,481	7297,216	7366,772	182,588	6,501	14,139	3,958	38,628	8,024	17,345	2021-03-04 12:30
248,167	42,362	60,311	73,697	0,436	0,481	7342,012	7363,119	184,696	6,480	14,152	4,005	38,546	8,015	17,285	2021-03-04 12:30
248,500	42,366	60,298	73,631	0,435	0,481	7327,659	7326,359	160,302	6,517	14,105	3,979	38,388	7,999	17,345	2021-03-04 12:31
248,833	42,373	60,287	73,577	0,435	0,481	7349,509	7303,531	151,725	6,538	14,063	3,982	38,750	8,036	17,277	2021-03-04 12:31
249,167	42,379	60,301	73,607	0,435	0,481	7354,011	7313,527	133,345	6,700	13,916	3,787	38,900	8,052	17,252	2021-03-04 12:31
249,500	42,376	60,312	73,573	0,435	0,481	7346,438	7288,898	128,819	6,728	13,863	4,007	38,054	7,964	17,345	2021-03-04 12:32
249,833	42,382	60,330	73,632	0,435	0,481	7348,297	7313,108	121,510	6,856	13,777	3,971	38,490	8,009	17,345	2021-03-04 12:32
250,167	42,381	60,338	73,598	0,434	0,481	7345,505	7288,377	129,218	6,780	13,849	4,019	38,774	8,039	17,251	2021-03-04 12:32
250,500	42,347	60,346	73,623	0,434	0,481	7351,975	7297,091	129,307	6,764	13,852	3,955	38,716	8,033	17,252	2021-03-04 12:33
250,833	42,314	60,351	73,597	0,434	0,481	7372,026	7279,515	123,207	6,879	13,742	4,016	38,825	8,044	17,158	2021-03-04 12:33

Pellematic 56_test cat I_040321.DAT

Category: I

	301	302	304	305	306	308	317	1311	1312	1313	1314	1315	1316	1317	1318	1101	1102
Mättid	CO chimney	CO2 chimney	Pdyn	Pstat	Static pressure chimney	O2 chimney	Våg	Flue gas temp	Ambient	Flue gas at pitot	filter temp 1	filter temp 2	gas meter temp 1	gas meter temp 2	gasmeter temp ambient		T4 outlet load side
Minuter	VDC	VDC	VDC	VDC	VDC	VDC	VDC	°C	°C	°C	°C	°C	°C	°C	°C	°C	°C
251,167	0,246	0,476	0,958	0,193	0,030	0,457	0,675	69,938	19,845	23,493	21,215	20,635	19,909	19,879	27,067	19,800	57,061
251,500	0,246	0,479	0,972	0,201	-0,031	0,455	0,676	69,934	19,869	23,501	21,215	20,638	19,922	19,881	27,080	19,799	57,035
251,833	0,248	0,476	0,962	0,195	0,005	0,458	0,675	69,911	19,812	23,502	21,205	20,640	19,913	19,885	27,097	19,795	57,003
252,167	0,248	0,475	0,970	0,200	0,004	0,458	0,675	69,930	19,802	23,467	21,201	20,647	19,914	19,871	27,107	19,797	56,934
252,500	0,249	0,475	0,969	0,200	-0,001	0,458	0,675	69,935	19,746	23,517	21,205	20,647	19,917	19,867	27,123	19,793	56,928
252,834	0,252	0,475	0,968	0,201	0,070	0,459	0,675	69,964	19,681	23,553	21,203	20,651	19,920	19,874	27,138	19,797	56,953
253,167	0,253	0,473	0,962	0,198	-0,008	0,459	0,675	70,009	19,738	23,540	21,202	20,661	19,911	19,874	27,160	19,797	57,170
253,500	0,253	0,476	0,973	0,197	0,086	0,457	0,675	69,995	19,759	23,579	21,213	20,674	19,914	19,891	27,188	19,798	57,358
253,834	0,251	0,479	0,967	0,199	0,031	0,454	0,675	69,973	19,807	23,537	21,209	20,680	19,906	19,883	27,204	19,799	57,220
254,167	0,245	0,484	0,960	0,199	-0,022	0,448	0,674	69,980	19,809	23,547	21,213	20,683	19,928	19,890	27,212	19,799	57,177
254,500	0,242	0,490	0,963	0,198	0,048	0,445	0,674	69,994	19,786	23,568	21,202	20,683	19,912	19,884	27,217	19,797	57,151
254,834	0,241	0,488	0,962	0,197	-0,001	0,447	0,673	69,982	19,790	23,587	21,207	20,681	19,927	19,884	27,225	19,797	57,125
255,167	0,240	0,490	0,969	0,197	0,041	0,443	0,673	70,025	19,790	23,617	21,222	20,709	19,935	19,890	27,254	19,809	56,616
255,500	0,238	0,495	0,969	0,194	0,009	0,441	0,674	70,035	19,713	23,573	21,213	20,694	19,924	19,899	27,274	19,804	56,761
255,833	0,239	0,494	0,971	0,199	0,037	0,443	0,673	70,029	19,727	23,544	21,210	20,706	19,934	19,890	27,286	19,803	56,722
256,167	0,243	0,487	0,966	0,195	-0,005	0,451	0,673	70,090	19,726	23,538	21,220	20,713	19,932	19,900	27,314	19,805	57,138
256,500	0,245	0,481	0,960	0,191	0,001	0,452	0,673	70,063	19,676	23,551	21,217	20,721	19,933	19,893	27,323	19,807	57,192
256,833	0,243	0,486	0,971	0,194	0,036	0,447	0,672	70,046	19,696	23,537	21,221	20,720	19,937	19,911	27,332	19,813	57,126
257,167	0,241	0,489	0,961	0,199	0,040	0,446	0,673	70,020	19,757	23,557	21,218	20,737	19,935	19,906	27,338	19,811	57,075
257,500	0,243	0,487	0,959	0,194	-0,015	0,450	0,672	70,049	19,762	23,597	21,211	20,735	19,946	19,903	27,364	19,812	57,073
257,833	0,246	0,482	0,961	0,206	0,053	0,453	0,672	70,067	19,769	23,598	21,227	20,743	19,956	19,917	27,391	19,819	57,093
258,167	0,246	0,484	0,968	0,196	0,030	0,451	0,672	70,041	19,746	23,557	21,214	20,744	19,944	19,910	27,392	19,811	57,089
258,500	0,244	0,481	0,960	0,197	-0,040	0,454	0,672	70,092	19,732	23,604	21,228	20,755	19,945	19,904	27,411	19,813	57,089
258,833	0,240	0,479	0,961	0,195	0,067	0,455	0,672	70,115	19,725	23,581	21,225	20,765	19,942	19,905	27,437	19,811	57,109
259,167	0,240	0,479	0,958	0,202	-0,036	0,455	0,672	70,061	19,750	23,602	21,231	20,764	19,951	19,904	27,467	19,809	56,660
259,500	0,242	0,480	0,966	0,199	0,032	0,454	0,672	70,086	19,756	23,581	21,239	20,768	19,952	19,909	27,495	19,818	56,743
259,833	0,246	0,482	0,959	0,194	0,092	0,453	0,672	70,111	19,755	23,591	21,233	20,773	19,951	19,932	27,520	19,817	56,762
260,167	0,247	0,483	0,952	0,199	0,003	0,452	0,672	70,125	19,743	23,617	21,247	20,781	19,955	19,923	27,527	19,827	57,249
260,500	0,251	0,482	0,949	0,197	-0,020	0,454	0,672	70,142	19,712	23,587	21,237	20,782	19,957	19,928	27,544	19,825	57,225
260,834	0,252	0,482	0,963	0,198	0,006	0,450	0,670	70,113	19,775	23,518	21,227	20,770	19,949	19,917	27,558	19,816	57,136
261,167	0,249	0,488	0,955	0,200	-0,018	0,448	0,671	70,128	19,783	23,542	21,224	20,781	19,968	19,927	27,589	19,825	57,133
261,500	0,257	0,483	0,953	0,196	0,065	0,453	0,670	70,128	19,802	23,561	21,233	20,785	19,970	19,922	27,606	19,828	57,126
261,834	0,259	0,482	0,963	0,197	0,033	0,450	0,670	70,121	19,838	23,611	21,231	20,803	19,972	19,937	27,618	19,830	57,188
262,167	0,257	0,490	0,971	0,197	0,000	0,445	0,670	70,134	19,759	23,581	21,236	20,797	19,975	19,938	27,645	19,832	57,147
262,500	0,260	0,488	0,963	0,192	0,044	0,447	0,670	70,146	19,821	23,550	21,228	20,810	19,972	19,931	27,653	19,831	57,127
262,834	0,258	0,489	0,958	0,201	0,012	0,446	0,670	70,144	19,823	23,528	21,240	20,810	19,970	19,932	27,664	19,825	57,130

Pellematic 56_test cat I_040321.DAT

Category: I

	1103	1105	1106	130	230	101	102	1	2	3	6	7	8	11	
Mättid	T3 inlet load side	T2 inlet boiler	T1 outlet boiler	Flow load side	Flow boiler side	Heat output load side	Heat output boiler	CO chimney	CO2 chimney	O2 chimney	Pstat	Pdyn	Tunnel velocity	Våg	Tidpunkt
Minuter	°C	°C	°C	m ³ /h	m ³ /h	W	W	ppm	%	%	Pa	Pa	m/s	kg	Klockan
251,167	42,323	60,353	73,605	0,435	0,481	7377,156	7279,562	116,472	6,898	13,699	3,851	38,425	8,003	17,252	2021-03-04 12:33
251,500	42,299	60,341	73,620	0,435	0,481	7375,393	7300,582	118,555	6,961	13,654	4,019	38,910	8,053	17,252	2021-03-04 12:34
251,833	42,215	60,342	73,581	0,436	0,481	7430,128	7276,175	122,846	6,883	13,731	3,898	38,516	8,012	17,158	2021-03-04 12:34
252,167	42,156	60,320	73,597	0,436	0,481	7423,847	7294,230	122,441	6,881	13,741	3,995	38,903	8,052	17,158	2021-03-04 12:34
252,500	42,163	60,293	73,585	0,437	0,481	7425,186	7303,929	127,048	6,882	13,739	3,995	38,814	8,043	17,158	2021-03-04 12:35
252,834	42,123	60,272	73,610	0,437	0,481	7453,950	7330,856	134,667	6,860	13,769	4,021	38,848	8,046	17,158	2021-03-04 12:35
253,167	42,036	60,267	73,609	0,437	0,481	7613,092	7334,881	133,835	6,833	13,775	3,965	38,324	7,992	17,158	2021-03-04 12:35
253,500	41,992	60,188	73,587	0,437	0,480	7726,903	7357,894	134,596	6,900	13,706	3,930	39,367	8,100	17,158	2021-03-04 12:36
253,834	41,983	59,963	73,602	0,437	0,481	7662,085	7493,572	128,470	6,980	13,634	3,975	38,730	8,034	17,158	2021-03-04 12:36
254,167	41,941	59,893	73,619	0,438	0,481	7680,211	7541,816	111,039	7,157	13,436	3,988	38,272	7,987	17,064	2021-03-04 12:36
254,500	41,884	59,896	73,635	0,438	0,480	7690,619	7546,040	109,415	7,252	13,358	3,963	38,314	7,991	17,064	2021-03-04 12:37
254,834	41,848	59,876	73,620	0,439	0,480	7715,891	7550,362	104,039	7,189	13,401	3,947	38,207	7,980	17,121	2021-03-04 12:37
255,167	41,836	59,847	73,648	0,438	0,480	7454,818	7582,399	102,610	7,284	13,302	3,947	38,837	8,045	17,064	2021-03-04 12:37
255,500	41,812	59,958	73,666	0,440	0,480	7577,276	7529,973	97,918	7,390	13,224	3,872	38,701	8,031	17,064	2021-03-04 12:38
255,833	41,769	60,078	73,721	0,440	0,481	7582,910	7500,513	100,096	7,325	13,302	3,976	38,715	8,033	17,064	2021-03-04 12:38
256,167	41,747	60,048	73,717	0,441	0,481	7809,860	7515,366	112,831	7,098	13,535	3,899	38,501	8,011	17,064	2021-03-04 12:38
256,500	41,743	59,968	73,731	0,441	0,480	7837,888	7559,721	112,102	7,066	13,552	3,811	38,381	7,998	17,064	2021-03-04 12:39
256,833	41,736	59,746	73,762	0,441	0,481	7806,963	7702,837	107,402	7,199	13,415	3,871	38,687	8,030	16,970	2021-03-04 12:39
257,167	41,722	59,692	73,700	0,441	0,481	7787,484	7699,845	106,310	7,239	13,383	3,977	38,484	8,009	17,064	2021-03-04 12:39
257,500	41,702	59,722	73,733	0,442	0,481	7822,092	7701,842	111,349	7,134	13,502	3,878	38,221	7,981	16,970	2021-03-04 12:40
257,833	41,706	59,728	73,742	0,441	0,481	7817,953	7702,592	119,905	7,034	13,579	4,115	38,809	8,042	16,970	2021-03-04 12:40
258,167	41,707	59,710	73,741	0,442	0,481	7831,833	7711,862	116,126	7,118	13,539	3,914	38,599	8,021	16,970	2021-03-04 12:40
258,500	41,708	59,709	73,752	0,442	0,481	7833,907	7718,940	109,829	6,996	13,631	3,937	38,446	8,005	16,970	2021-03-04 12:41
258,833	41,694	59,707	73,725	0,443	0,480	7855,088	7697,911	102,114	6,978	13,639	3,901	38,389	7,999	16,970	2021-03-04 12:41
259,167	41,696	59,697	73,741	0,444	0,481	7644,561	7717,041	104,125	6,947	13,664	4,047	38,389	7,999	16,970	2021-03-04 12:41
259,500	41,707	59,834	73,751	0,443	0,481	7660,599	7646,533	112,322	7,004	13,617	3,975	38,505	8,011	16,970	2021-03-04 12:42
259,833	41,700	59,940	73,762	0,443	0,481	7681,778	7598,450	116,459	7,051	13,578	3,884	38,242	7,984	16,970	2021-03-04 12:42
260,167	41,672	59,960	73,767	0,444	0,481	7958,478	7589,768	122,163	7,064	13,569	3,972	38,163	7,975	16,970	2021-03-04 12:42
260,500	41,673	59,843	73,785	0,444	0,480	7951,639	7657,569	131,823	7,035	13,606	3,943	37,973	7,955	16,970	2021-03-04 12:43
260,834	41,692	59,641	73,758	0,444	0,481	7890,942	7758,370	130,562	7,100	13,496	3,963	38,662	8,027	16,845	2021-03-04 12:43
261,167	41,678	59,608	73,748	0,444	0,480	7905,615	7768,572	128,391	7,187	13,440	3,993	38,231	7,982	16,845	2021-03-04 12:43
261,500	41,670	59,642	73,791	0,445	0,480	7920,799	7773,312	152,373	7,032	13,582	3,928	38,104	7,969	16,845	2021-03-04 12:44
261,834	41,684	59,642	73,819	0,445	0,481	7935,456	7792,458	147,546	7,092	13,503	3,930	38,673	8,028	16,845	2021-03-04 12:44
262,167	41,704	59,642	73,772	0,445	0,480	7909,279	7760,635	148,201	7,272	13,361	3,950	38,677	8,029	16,845	2021-03-04 12:44
262,500	41,712	59,635	73,762	0,446	0,481	7908,968	7763,945	152,132	7,201	13,409	3,850	38,548	8,015	16,845	2021-03-04 12:45
262,834	41,720	59,636	73,756	0,445	0,480	7899,464	7757,336	144,914	7,230	13,366	4,017	38,271	7,987	16,845	2021-03-04 12:45

Pellematic 56_test cat I_040321.DAT

Category: I

	301	302	304	305	306	308	317	1311	1312	1313	1314	1315	1316	1317	1318	1101	1102
Mättid	CO chimney	CO2 chimney	Pdyn	Pstat	Static pressure chimney	O2 chimney	Våg	Flue gas temp	Ambient	Flue gas at pitot	filter temp 1	filter temp 2	gas meter temp 1	gas meter temp 2	gasmeter temp ambient		T4 outlet load side
Minuter	VDC	VDC	VDC	VDC	VDC	VDC	VDC	°C	°C	°C	°C	°C	°C	°C	°C	°C	°C
263,167	0,255	0,492	0,970	0,191	0,009	0,443	0,669	70,127	19,768	23,523	21,215	20,799	19,959	19,924	27,676	19,825	57,117
263,500	0,255	0,493	0,961	0,195	0,060	0,444	0,669	70,140	19,772	23,509	21,232	20,812	19,979	19,935	27,694	19,834	56,658
263,833	0,256	0,488	0,956	0,197	0,000	0,448	0,669	70,157	19,822	23,547	21,233	20,808	19,979	19,938	27,688	19,827	56,793
264,167	0,252	0,490	0,957	0,200	0,040	0,444	0,669	70,163	19,779	23,641	21,237	20,823	19,980	19,946	27,715	19,835	56,826
264,500	0,252	0,495	0,960	0,199	0,016	0,441	0,668	70,168	19,710	23,592	21,218	20,807	19,975	19,938	27,718	19,831	56,779
264,833	0,257	0,493	0,956	0,195	0,071	0,444	0,668	70,187	19,735	23,553	21,225	20,814	19,982	19,935	27,737	19,841	57,258
265,167	0,256	0,489	0,949	0,199	-0,005	0,447	0,668	70,172	19,754	23,575	21,224	20,812	19,985	19,946	27,738	19,835	57,294
265,500	0,258	0,486	0,951	0,202	0,047	0,450	0,668	70,147	19,778	23,600	21,238	20,820	19,993	19,954	27,753	19,837	57,226
265,833	0,260	0,483	0,957	0,195	-0,025	0,452	0,667	70,148	19,786	23,594	21,228	20,824	19,982	19,949	27,776	19,837	57,220
266,167	0,259	0,479	0,971	0,203	0,085	0,455	0,668	70,179	19,824	23,595	21,242	20,832	19,992	19,960	27,797	19,845	56,755
266,500	0,256	0,477	0,961	0,197	0,046	0,455	0,663	70,198	19,803	23,637	21,252	20,840	19,988	19,963	27,802	19,842	56,878
266,833	0,256	0,478	0,959	0,197	0,001	0,455	0,667	70,209	19,752	23,658	21,242	20,837	19,975	19,948	27,815	19,838	56,887
267,167	0,256	0,478	0,960	0,196	0,037	0,454	0,667	70,216	19,794	23,603	21,238	20,835	19,986	19,958	27,840	19,841	56,909
267,500	0,254	0,481	0,961	0,197	0,030	0,451	0,667	70,191	19,820	23,587	21,237	20,849	19,991	19,961	27,864	19,848	56,913
267,834	0,253	0,485	0,961	0,192	-0,027	0,449	0,668	70,196	19,753	23,548	21,237	20,857	19,999	19,959	27,875	19,849	56,908
268,167	0,254	0,488	0,962	0,198	0,068	0,446	0,666	70,204	19,751	23,578	21,229	20,855	19,996	19,965	27,888	19,846	56,953
268,500	0,251	0,493	0,972	0,195	0,024	0,440	0,666	70,191	19,721	23,542	21,229	20,846	19,992	19,954	27,900	19,845	57,433
268,834	0,250	0,500	0,962	0,198	0,031	0,437	0,667	70,196	19,766	23,567	21,234	20,852	19,999	19,958	27,918	19,845	57,328
269,167	0,249	0,499	0,959	0,197	0,033	0,439	0,667	70,204	19,777	23,537	21,233	20,853	19,995	19,956	27,936	19,845	57,315
269,500	0,249	0,492	0,959	0,198	0,005	0,444	0,667	70,241	19,733	23,580	21,242	20,865	20,010	19,981	27,958	19,852	56,851
269,834	0,246	0,489	0,961	0,199	0,020	0,445	0,665	70,255	19,726	23,583	21,242	20,863	20,002	19,966	27,951	19,850	56,879
270,167	0,248	0,487	0,961	0,196	0,000	0,448	0,667	70,238	19,771	23,522	21,232	20,854	20,001	19,972	27,975	19,850	56,901
270,500	0,250	0,488	0,959	0,197	0,032	0,447	0,665	70,251	19,745	23,589	21,235	20,862	20,015	19,966	27,995	19,850	56,912
270,834	0,254	0,486	0,962	0,198	-0,016	0,450	0,665	70,240	19,714	23,639	21,239	20,863	20,006	19,969	27,999	19,846	57,037
271,167	0,256	0,483	0,959	0,195	0,071	0,452	0,665	70,234	19,694	23,607	21,238	20,861	20,009	19,973	28,015	19,846	57,058
271,500	0,256	0,483	0,968	0,198	0,029	0,450	0,665	70,218	19,745	23,620	21,240	20,876	20,017	19,982	28,048	19,852	57,035
271,833	0,256	0,489	0,956	0,201	0,035	0,446	0,665	70,238	19,742	23,602	21,233	20,865	20,014	19,977	28,052	19,848	57,049
272,167	0,257	0,489	0,967	0,196	0,033	0,448	0,665	70,228	19,748	23,593	21,228	20,862	20,015	19,979	28,079	19,847	57,051
272,500	0,257	0,486	0,959	0,196	-0,026	0,450	0,664	70,253	19,756	23,643	21,243	20,872	20,017	19,976	28,086	19,850	57,090
272,833	0,260	0,482	0,964	0,198	0,064	0,453	0,664	70,230	19,807	23,582	21,236	20,876	20,015	19,986	28,086	19,847	57,092
273,167	0,260	0,479	0,965	0,201	0,029	0,456	0,664	70,250	19,795	23,545	21,233	20,876	20,018	19,975	28,095	19,848	57,119
273,500	0,261	0,476	0,963	0,201	-0,029	0,458	0,664	70,220	19,787	23,498	21,235	20,869	20,014	19,985	28,110	19,852	57,131
273,833	0,261	0,473	0,964	0,199	0,071	0,461	0,664	70,211	19,772	23,540	21,238	20,874	20,022	19,989	28,133	19,851	57,115
274,167	0,263	0,469	0,964	0,202	0,037	0,464	0,664	70,236	19,793	23,632	21,244	20,886	20,025	19,986	28,141	19,853	57,037
274,500	0,267	0,467	0,961	0,202	0,018	0,465	0,664	70,235	19,792	23,604	21,240	20,874	20,025	19,986	28,154	19,852	57,080
274,833	0,266	0,466	0,961	0,199	0,033	0,466	0,664	70,277	19,770	23,606	21,251	20,873	20,017	19,988	28,162	19,853	57,101

Pellematic 56_test cat I_040321.DAT

Category: I

	1103	1105	1106	130	230	101	102	1	2	3	6	7	8	11	
Mättid	T3 inlet load side	T2 inlet boiler	T1 outlet boiler	Flow load side	Flow boiler side	Heat output load side	Heat output boiler	CO chimney	CO2 chimney	O2 chimney	Pstat	Pdyn	Tunnel velocity	Våg	Tidpunkt
Minuter	°C	°C	°C	m³/h	m³/h	W	W	ppm	%	%	Pa	Pa	m/s	kg	Klockan
263,167	41,734	59,622	73,722	0,445	0,480	7881,935	7741,245	139,298	7,317	13,288	3,824	38,774	8,039	16,752	2021-03-04 12:45
263,500	41,754	59,630	73,740	0,445	0,480	7630,476	7750,240	140,471	7,289	13,328	3,896	38,604	8,021	16,752	2021-03-04 12:46
263,833	41,790	59,740	73,762	0,446	0,481	7711,081	7706,175	140,724	7,156	13,446	3,945	38,061	7,965	16,752	2021-03-04 12:46
264,167	41,834	59,904	73,772	0,445	0,481	7681,550	7623,438	129,772	7,328	13,315	3,995	38,222	7,981	16,845	2021-03-04 12:46
264,500	41,844	59,924	73,760	0,447	0,481	7682,380	7604,019	137,280	7,391	13,235	3,975	38,151	7,974	16,751	2021-03-04 12:47
264,833	41,859	59,925	73,764	0,448	0,481	7935,598	7605,379	146,176	7,309	13,308	3,907	37,884	7,946	16,752	2021-03-04 12:47
265,167	41,894	59,838	73,791	0,447	0,480	7926,438	7663,759	144,068	7,198	13,414	3,975	37,939	7,952	16,751	2021-03-04 12:47
265,500	41,926	59,651	73,773	0,447	0,480	7870,225	7758,461	149,956	7,134	13,486	4,041	37,876	7,945	16,752	2021-03-04 12:48
265,833	41,923	59,642	73,789	0,448	0,480	7887,821	7772,567	152,226	7,070	13,560	3,904	38,726	8,034	16,751	2021-03-04 12:48
266,167	41,931	59,677	73,806	0,447	0,481	7631,998	7763,811	147,099	6,964	13,643	4,069	38,619	8,023	16,752	2021-03-04 12:48
266,500	41,959	59,788	73,811	0,448	0,480	7695,855	7704,095	141,802	6,931	13,659	3,943	38,226	7,982	16,564	2021-03-04 12:49
266,833	41,997	59,972	73,775	0,449	0,480	7688,877	7581,893	146,072	6,934	13,652	3,930	38,449	8,005	16,657	2021-03-04 12:49
267,167	42,009	59,963	73,790	0,449	0,481	7702,663	7598,336	141,672	6,957	13,634	3,913	38,333	7,993	16,658	2021-03-04 12:49
267,500	42,012	59,958	73,778	0,449	0,481	7697,759	7595,993	136,691	7,055	13,536	3,948	38,494	8,010	16,658	2021-03-04 12:50
267,834	42,030	59,976	73,769	0,449	0,480	7688,125	7576,547	137,277	7,142	13,461	3,834	38,418	8,002	16,658	2021-03-04 12:50
268,167	42,073	59,985	73,777	0,449	0,481	7691,935	7578,918	138,699	7,231	13,367	3,954	38,618	8,023	16,564	2021-03-04 12:50
268,500	42,107	59,987	73,792	0,449	0,480	7919,502	7582,147	128,799	7,371	13,210	3,901	38,661	8,027	16,570	2021-03-04 12:51
268,834	42,131	59,916	73,814	0,449	0,481	7850,561	7636,564	126,705	7,508	13,101	3,955	38,483	8,009	16,657	2021-03-04 12:51
269,167	42,154	59,757	73,841	0,448	0,480	7826,652	7735,850	127,872	7,464	13,161	3,937	38,283	7,988	16,658	2021-03-04 12:51
269,500	42,183	59,758	73,835	0,449	0,481	7578,408	7736,793	120,967	7,266	13,332	3,961	38,252	7,985	16,658	2021-03-04 12:52
269,834	42,198	59,909	73,833	0,450	0,481	7601,703	7652,327	117,464	7,235	13,363	3,975	38,622	8,023	16,564	2021-03-04 12:52
270,167	42,218	60,084	73,854	0,449	0,481	7583,406	7569,933	124,428	7,156	13,439	3,919	38,111	7,970	16,658	2021-03-04 12:52
270,500	42,242	60,139	73,803	0,450	0,481	7591,012	7512,702	128,601	7,206	13,421	3,943	38,155	7,974	16,564	2021-03-04 12:53
270,834	42,255	60,171	73,803	0,448	0,480	7630,815	7485,876	141,394	7,115	13,512	3,951	38,666	8,028	16,564	2021-03-04 12:53
271,167	42,276	60,157	73,832	0,449	0,481	7632,360	7519,906	142,911	7,063	13,562	3,903	38,482	8,009	16,564	2021-03-04 12:53
271,500	42,311	60,123	73,838	0,449	0,481	7601,972	7544,259	141,571	7,125	13,494	3,951	38,874	8,049	16,564	2021-03-04 12:54
271,833	42,324	60,131	73,861	0,449	0,481	7604,802	7548,898	143,988	7,248	13,385	4,023	38,059	7,964	16,564	2021-03-04 12:54
272,167	42,339	60,144	73,864	0,448	0,481	7590,679	7538,543	144,992	7,200	13,446	3,927	38,515	8,012	16,564	2021-03-04 12:54
272,500	42,354	60,176	73,868	0,448	0,481	7601,245	7526,399	146,740	7,144	13,492	3,925	38,263	7,986	16,470	2021-03-04 12:55
272,833	42,380	60,194	73,866	0,448	0,481	7593,416	7514,648	153,223	7,020	13,593	3,966	38,448	8,005	16,470	2021-03-04 12:55
273,167	42,404	60,180	73,866	0,449	0,481	7598,470	7521,097	153,219	6,957	13,669	4,016	38,451	8,005	16,470	2021-03-04 12:55
273,500	42,405	60,205	73,872	0,448	0,481	7602,149	7510,704	156,160	6,889	13,742	4,024	38,690	8,030	16,470	2021-03-04 12:56
273,833	42,402	60,226	73,849	0,448	0,481	7584,913	7484,618	153,914	6,804	13,839	3,971	38,527	8,013	16,470	2021-03-04 12:56
274,167	42,426	60,233	73,850	0,449	0,481	7554,288	7483,836	163,395	6,709	13,926	4,038	38,515	8,012	16,470	2021-03-04 12:56
274,500	42,457	60,282	73,835	0,449	0,481	7551,141	7448,450	171,357	6,677	13,955	4,036	38,525	8,013	16,564	2021-03-04 12:57
274,833	42,475	60,311	73,863	0,448	0,481	7548,214	7446,651	166,829	6,640	13,992	3,982	38,142	7,973	16,470	2021-03-04 12:57

Pellematic 56_test cat I_040321.DAT

Category: I

	301	302	304	305	306	308	317	1311	1312	1313	1314	1315	1316	1317	1318	1101	1102
Mättid	CO chimney	CO2 chimney	Pdyn	Pstat	Static pressure chimney	O2 chimney	Våg	Flue gas temp	Ambient	Flue gas at pitot	filter temp 1	filter temp 2	gas meter temp 1	gas meter temp 2	gasmeter temp ambient		T4 outlet load side
Minuter	VDC	VDC	VDC	VDC	VDC	VDC	VDC	°C	°C	°C	°C	°C	°C	°C	°C	°C	°C
275,167	0,267	0,465	0,952	0,200	-0,001	0,467	0,664	70,270	19,776	23,604	21,252	20,874	20,032	19,986	28,174	19,852	57,128
275,500	0,266	0,467	0,965	0,193	0,009	0,465	0,663	70,265	19,768	23,620	21,243	20,877	20,032	19,994	28,187	19,854	57,150
275,834	0,266	0,471	0,966	0,194	0,069	0,461	0,662	70,282	19,830	23,588	21,243	20,887	20,031	19,989	28,194	19,854	57,127
276,167	0,267	0,472	0,962	0,198	-0,036	0,460	0,663	70,275	19,864	23,611	21,241	20,895	20,028	20,000	28,205	19,858	57,126
276,500	0,266	0,472	0,949	0,200	0,003	0,460	0,662	70,281	19,808	23,665	21,260	20,910	20,040	20,006	28,217	19,864	57,113
276,834	0,264	0,475	0,960	0,200	0,003	0,456	0,663	70,312	19,799	23,660	21,273	20,916	20,042	20,004	28,230	19,862	57,141
277,167	0,258	0,483	0,965	0,198	0,061	0,449	0,661	70,323	19,766	23,589	21,257	20,919	20,045	20,002	28,229	19,860	57,119
277,500	0,253	0,491	0,958	0,195	0,021	0,446	0,662	70,336	19,831	23,625	21,267	20,916	20,049	20,011	28,256	19,864	57,115
277,834	0,257	0,484	0,953	0,195	-0,020	0,453	0,662	70,325	19,857	23,642	21,282	20,925	20,054	20,016	28,269	19,870	57,126
278,167	0,262	0,473	0,957	0,202	0,031	0,462	0,662	70,351	19,814	23,653	21,273	20,931	20,052	20,018	28,284	19,868	57,079
278,500	0,264	0,465	0,965	0,196	-0,023	0,467	0,660	70,351	19,819	23,610	21,272	20,923	20,048	20,017	28,281	19,869	56,570
278,833	0,260	0,465	0,960	0,200	0,056	0,464	0,660	70,368	19,839	23,628	21,273	20,937	20,051	20,021	28,289	19,871	56,650
279,167	0,252	0,473	0,956	0,201	-0,019	0,457	0,660	70,353	19,835	23,656	21,283	20,931	20,054	20,019	28,296	19,872	56,716
279,500	0,245	0,483	0,960	0,203	0,054	0,450	0,660	70,401	19,742	23,692	21,291	20,943	20,075	20,031	28,315	19,881	56,711
279,833	0,245	0,487	0,959	0,196	-0,022	0,447	0,660	70,401	19,758	23,742	21,304	20,955	20,063	20,034	28,322	19,880	57,160
280,167	0,245	0,491	0,969	0,203	0,073	0,442	0,659	70,442	19,809	23,660	21,289	20,940	20,061	20,036	28,332	19,878	57,117
280,500	0,246	0,497	0,958	0,195	-0,001	0,438	0,660	70,468	19,738	23,676	21,308	20,944	20,066	20,040	28,335	19,882	57,116
280,833	0,248	0,502	0,955	0,201	0,059	0,436	0,659	70,429	19,763	23,691	21,293	20,934	20,071	20,035	28,338	19,879	57,108
281,167	0,253	0,498	0,956	0,202	0,019	0,441	0,659	70,435	19,793	23,749	21,293	20,947	20,066	20,026	28,356	19,877	57,007
281,500	0,258	0,490	0,957	0,192	-0,028	0,447	0,659	70,443	19,783	23,749	21,323	20,949	20,081	20,039	28,377	19,887	57,010
281,833	0,260	0,485	0,965	0,199	0,003	0,450	0,658	70,446	19,781	23,725	21,306	20,962	20,075	20,047	28,391	19,884	56,992
282,167	0,259	0,486	0,962	0,210	0,030	0,447	0,659	70,475	19,777	23,777	21,313	20,956	20,069	20,031	28,414	19,880	57,006
282,500	0,259	0,486	0,964	0,200	0,045	0,450	0,659	70,483	19,769	23,824	21,321	20,962	20,080	20,030	28,424	19,884	57,002
282,833	0,262	0,481	0,965	0,198	0,052	0,452	0,658	70,464	19,721	23,866	21,332	20,991	20,081	20,047	28,447	19,890	57,004
283,167	0,262	0,485	0,965	0,199	0,020	0,449	0,658	70,446	19,687	23,844	21,344	20,989	20,095	20,046	28,455	19,894	57,020
283,500	0,258	0,487	0,963	0,195	0,033	0,448	0,658	70,471	19,627	23,770	21,333	20,981	20,083	20,046	28,465	19,891	57,006
283,834	0,257	0,484	0,972	0,199	0,003	0,452	0,657	70,476	19,639	23,753	21,333	20,987	20,096	20,057	28,458	19,892	56,998
284,167	0,260	0,477	0,969	0,197	0,006	0,458	0,657	70,511	19,486	23,742	21,318	20,982	20,092	20,057	28,448	19,898	56,984
284,500	0,260	0,471	0,964	0,201	0,050	0,462	0,657	70,519	19,488	23,692	21,287	20,973	20,092	20,043	28,423	19,890	56,986
284,834	0,256	0,468	0,954	0,198	0,023	0,464	0,657	70,521	19,510	23,671	21,264	20,941	20,088	20,042	28,424	19,885	56,998
285,167	0,256	0,468	0,961	0,201	0,002	0,464	0,657	70,533	19,602	23,669	21,253	20,936	20,090	20,033	28,412	19,886	56,956
285,500	0,259	0,465	0,957	0,196	-0,018	0,468	0,657	70,528	19,676	23,587	21,228	20,932	20,101	20,034	28,417	19,890	56,918
285,834	0,262	0,461	0,968	0,201	0,042	0,470	0,657	70,545	19,482	23,551	21,216	20,938	20,092	20,047	28,438	19,893	56,919
286,167	0,263	0,461	0,964	0,202	0,070	0,469	0,656	70,525	19,500	23,534	21,199	20,918	20,100	20,035	28,449	19,890	56,914
286,500	0,262	0,465	0,956	0,201	-0,024	0,465	0,657	70,549	19,577	23,457	21,193	20,917	20,101	20,048	28,464	19,896	56,916
286,833	0,260	0,469	0,965	0,204	0,067	0,463	0,657	70,553	19,584	23,478	21,187	20,896	20,095	20,039	28,453	19,892	56,917

Pellematic 56_test cat I_040321.DAT

Category: I

	1103	1105	1106	130	230	101	102	1	2	3	6	7	8	11	
Mättid	T3 inlet load side	T2 inlet boiler	T1 outlet boiler	Flow load side	Flow boiler side	Heat output load side	Heat output boiler	CO chimney	CO2 chimney	O2 chimney	Pstat	Pdyn	Tunnel velocity	Våg	Tidpunkt
Minuter	°C	°C	°C	m ³ /h	m ³ /h	W	W	ppm	%	%	Pa	Pa	m/s	kg	Klockan
275,167	42,463	60,336	73,862	0,448	0,481	7564,689	7433,152	171,771	6,606	14,021	4,007	37,927	7,951	16,470	2021-03-04 12:57
275,500	42,466	60,352	73,863	0,448	0,481	7578,067	7423,280	164,975	6,706	13,935	3,854	38,779	8,039	16,470	2021-03-04 12:58
275,834	42,474	60,380	73,871	0,449	0,481	7572,525	7412,157	169,339	6,812	13,821	3,872	38,598	8,021	16,345	2021-03-04 12:58
276,167	42,471	60,382	73,877	0,448	0,481	7560,735	7417,159	169,255	6,815	13,811	3,961	38,357	7,995	16,348	2021-03-04 12:58
276,500	42,446	60,388	73,898	0,448	0,481	7566,675	7424,754	166,653	6,814	13,796	4,001	37,974	7,956	16,345	2021-03-04 12:59
276,834	42,440	60,391	73,905	0,448	0,481	7579,460	7424,205	159,693	6,913	13,692	4,008	38,275	7,987	16,470	2021-03-04 12:59
277,167	42,433	60,398	73,900	0,447	0,481	7559,066	7419,192	142,364	7,118	13,478	3,954	38,460	8,006	16,345	2021-03-04 12:59
277,500	42,430	60,412	73,900	0,447	0,481	7548,598	7411,652	134,001	7,283	13,367	3,904	38,163	7,975	16,345	2021-03-04 13:00
277,834	42,419	60,418	73,913	0,448	0,481	7584,970	7418,162	149,775	7,041	13,598	3,901	38,232	7,982	16,345	2021-03-04 13:00
278,167	42,408	60,427	73,910	0,446	0,480	7533,935	7404,839	161,696	6,756	13,872	4,043	38,295	7,989	16,345	2021-03-04 13:00
278,500	42,396	60,432	73,920	0,447	0,481	7288,218	7413,981	160,491	6,594	14,007	3,923	38,605	8,021	16,252	2021-03-04 13:01
278,833	42,384	60,553	73,933	0,447	0,480	7334,137	7348,595	150,126	6,657	13,926	4,009	38,412	8,001	16,252	2021-03-04 13:01
279,167	42,363	60,716	73,928	0,446	0,481	7374,852	7258,931	125,891	6,876	13,716	4,012	38,105	7,969	16,252	2021-03-04 13:01
279,500	42,339	60,710	73,937	0,447	0,481	7389,103	7271,144	114,282	7,129	13,491	4,059	38,445	8,005	16,252	2021-03-04 13:02
279,833	42,317	60,708	73,952	0,446	0,481	7621,042	7277,695	114,610	7,180	13,415	3,918	38,374	7,997	16,252	2021-03-04 13:02
280,167	42,286	60,580	73,977	0,446	0,481	7606,476	7364,703	117,215	7,331	13,271	4,061	38,921	8,054	16,158	2021-03-04 13:02
280,500	42,264	60,435	73,966	0,447	0,481	7638,865	7436,518	118,383	7,480	13,129	3,892	38,259	7,985	16,252	2021-03-04 13:03
280,833	42,246	60,385	73,973	0,446	0,481	7632,177	7465,550	125,536	7,552	13,074	4,028	38,347	7,995	16,158	2021-03-04 13:03
281,167	42,221	60,363	73,980	0,446	0,481	7590,383	7489,040	137,859	7,395	13,226	4,036	38,414	8,001	16,252	2021-03-04 13:03
281,500	42,196	60,382	73,994	0,446	0,481	7612,823	7482,819	149,921	7,213	13,404	3,838	38,366	7,996	16,158	2021-03-04 13:04
281,833	42,183	60,419	73,993	0,446	0,481	7602,903	7458,155	152,219	7,101	13,490	3,983	38,717	8,033	16,076	2021-03-04 13:04
282,167	42,172	60,427	74,021	0,446	0,481	7614,376	7472,447	151,214	7,189	13,415	4,204	38,114	7,970	16,158	2021-03-04 13:04
282,500	42,155	60,425	74,035	0,447	0,481	7639,341	7477,949	152,441	7,116	13,503	4,008	38,664	8,027	16,158	2021-03-04 13:05
282,833	42,134	60,415	74,031	0,447	0,481	7653,275	7483,357	159,689	7,029	13,555	3,960	38,451	8,005	16,064	2021-03-04 13:05
283,167	42,115	60,415	74,058	0,447	0,481	7663,232	7500,664	156,838	7,125	13,473	3,982	38,957	8,058	16,064	2021-03-04 13:05
283,500	42,100	60,404	74,069	0,446	0,481	7661,488	7508,392	145,757	7,177	13,446	3,897	38,484	8,009	16,158	2021-03-04 13:06
283,834	42,084	60,405	74,056	0,446	0,481	7653,511	7503,050	146,170	7,070	13,561	3,976	38,813	8,043	16,065	2021-03-04 13:06
284,167	42,074	60,399	74,099	0,446	0,481	7658,562	7530,292	157,248	6,886	13,735	3,947	38,679	8,029	16,064	2021-03-04 13:06
284,500	42,062	60,408	74,092	0,446	0,481	7658,360	7520,897	151,797	6,739	13,867	4,014	38,678	8,029	16,064	2021-03-04 13:07
284,834	42,054	60,408	74,086	0,447	0,481	7682,880	7518,899	142,733	6,698	13,918	3,954	38,129	7,972	16,065	2021-03-04 13:07
285,167	42,048	60,412	74,116	0,445	0,481	7645,106	7530,582	143,577	6,694	13,929	4,018	38,651	8,026	16,065	2021-03-04 13:07
285,500	42,038	60,406	74,128	0,448	0,481	7669,614	7539,252	155,814	6,573	14,045	3,928	38,293	7,989	16,064	2021-03-04 13:08
285,834	42,029	60,395	74,137	0,447	0,481	7665,781	7554,207	155,928	6,504	14,097	4,011	38,579	8,019	16,065	2021-03-04 13:08
286,167	42,021	60,387	74,143	0,447	0,481	7672,414	7562,130	164,135	6,523	14,067	4,045	38,446	8,005	15,970	2021-03-04 13:08
286,500	42,016	60,396	74,145	0,447	0,481	7672,773	7557,183	156,075	6,644	13,955	4,015	38,109	7,970	16,064	2021-03-04 13:09
286,833	42,014	60,388	74,142	0,447	0,481	7676,519	7562,980	152,800	6,727	13,902	4,079	38,716	8,033	16,065	2021-03-04 13:09

Pellematic 56_test cat I_040321.DAT

Category: I

	301	302	304	305	306	308	317	1311	1312	1313	1314	1315	1316	1317	1318	1101	1102
Mättid	CO chimney	CO2 chimney	Pdyn	Pstat	Static pressure chimney	O2 chimney	Våg	Flue gas temp	Ambient	Flue gas at pitot	filter temp 1	filter temp 2	gas meter temp 1	gas meter temp 2	gasmeter temp ambient		T4 outlet load side
Minuter	VDC	VDC	VDC	VDC	VDC	VDC	VDC	°C	°C	°C	°C	°C	°C	°C	°C	°C	°C
287,167	0,259	0,466	0,963	0,201	-0,010	0,466	0,655	70,518	19,575	23,489	21,191	20,898	20,102	20,041	28,459	19,900	57,083
287,500	0,265	0,462	0,963	0,198	0,058	0,470	0,656	70,506	19,577	23,476	21,183	20,894	20,105	20,039	28,477	19,898	57,077
287,833	0,271	0,459	0,964	0,201	0,004	0,471	0,656	70,482	19,596	23,498	21,195	20,908	20,101	20,050	28,486	19,908	57,072
288,167	0,272	0,460	0,962	0,201	0,050	0,471	0,656	70,478	19,618	23,526	21,200	20,892	20,104	20,051	28,491	19,906	57,095
288,500	0,275	0,460	0,961	0,199	-0,012	0,469	0,656	70,469	19,620	23,514	21,194	20,898	20,114	20,061	28,491	19,911	57,099
288,833	0,269	0,466	0,965	0,204	0,010	0,464	0,656	70,477	19,609	23,510	21,190	20,891	20,103	20,052	28,500	19,909	57,109
289,167	0,265	0,473	0,962	0,198	-0,021	0,460	0,656	70,456	19,611	23,550	21,187	20,880	20,092	20,041	28,499	19,897	57,093
289,500	0,262	0,470	0,962	0,204	0,059	0,463	0,655	70,481	19,646	23,576	21,205	20,898	20,109	20,063	28,530	19,913	57,109
289,833	0,258	0,468	0,966	0,203	-0,025	0,463	0,655	70,472	19,644	23,537	21,200	20,885	20,111	20,060	28,547	19,913	56,957
290,167	0,260	0,469	0,963	0,195	0,034	0,463	0,656	70,471	19,617	23,561	21,194	20,892	20,108	20,049	28,559	19,904	56,954
290,500	0,263	0,469	0,960	0,194	0,032	0,463	0,654	70,478	19,631	23,521	21,191	20,880	20,098	20,062	28,583	19,904	56,960
290,833	0,261	0,469	0,963	0,203	0,014	0,463	0,656	70,479	19,716	23,539	21,198	20,887	20,101	20,065	28,592	19,904	56,938
291,167	0,262	0,469	0,955	0,203	0,010	0,464	0,654	70,509	19,725	23,554	21,202	20,894	20,102	20,068	28,592	19,906	56,948
291,500	0,261	0,465	0,964	0,201	0,052	0,468	0,654	70,523	19,705	23,565	21,201	20,888	20,094	20,070	28,603	19,904	56,944
291,834	0,262	0,464	0,964	0,198	0,081	0,467	0,655	70,522	19,663	23,545	21,210	20,890	20,096	20,067	28,615	19,909	56,949
292,167	0,270	0,463	0,968	0,204	-0,042	0,468	0,653	70,555	19,675	23,606	21,227	20,909	20,118	20,081	28,641	19,921	56,954
292,500	0,269	0,464	0,956	0,209	0,006	0,467	0,655	70,572	19,735	23,532	21,206	20,904	20,112	20,074	28,641	19,910	56,956
292,834	0,263	0,466	0,957	0,207	0,051	0,465	0,654	70,555	19,807	23,594	21,225	20,902	20,106	20,069	28,654	19,912	56,970
293,167	0,255	0,469	0,953	0,199	-0,001	0,463	0,654	70,555	19,804	23,582	21,225	20,911	20,122	20,078	28,669	19,913	56,989
293,500	0,252	0,471	0,962	0,200	0,002	0,461	0,653	70,553	19,753	23,596	21,231	20,919	20,107	20,081	28,673	19,911	57,000
293,834	0,253	0,475	0,964	0,207	0,087	0,457	0,653	70,510	19,802	23,594	21,233	20,920	20,110	20,077	28,696	19,914	57,004
294,167	0,252	0,479	0,959	0,200	-0,026	0,455	0,652	70,517	19,798	23,593	21,223	20,906	20,107	20,070	28,703	19,911	57,000
294,500	0,256	0,478	0,969	0,200	0,069	0,457	0,652	70,552	19,810	23,573	21,237	20,914	20,121	20,088	28,724	19,916	57,023
294,833	0,260	0,476	0,956	0,203	0,030	0,457	0,652	70,555	19,820	23,598	21,218	20,914	20,113	20,071	28,726	19,908	56,990
295,167	0,256	0,481	0,957	0,197	0,008	0,453	0,651	70,514	19,786	23,560	21,219	20,924	20,114	20,069	28,713	19,910	56,976
295,500	0,251	0,481	0,961	0,205	0,014	0,454	0,652	70,518	19,659	23,575	21,229	20,932	20,114	20,089	28,719	19,913	56,990
295,833	0,252	0,476	0,956	0,195	0,003	0,458	0,652	70,539	19,696	23,613	21,232	20,930	20,114	20,081	28,721	19,912	56,990
296,167	0,254	0,470	0,960	0,201	0,004	0,464	0,652	70,555	19,756	23,690	21,239	20,937	20,116	20,091	28,723	19,916	56,980
296,500	0,257	0,464	0,963	0,201	0,003	0,468	0,651	70,545	19,783	23,601	21,235	20,931	20,119	20,093	28,726	19,912	56,986
296,833	0,259	0,459	0,965	0,205	0,002	0,472	0,651	70,530	19,777	23,616	21,248	20,944	20,130	20,094	28,722	19,924	56,981
297,167	0,261	0,454	0,963	0,206	0,019	0,477	0,651	70,531	19,750	23,597	21,229	20,932	20,136	20,082	28,716	19,918	56,996
297,500	0,264	0,450	0,950	0,200	0,006	0,479	0,651	70,518	19,721	23,608	21,246	20,941	20,142	20,096	28,729	19,928	56,994
297,833	0,262	0,451	0,959	0,198	0,092	0,478	0,651	70,535	19,651	23,655	21,261	20,948	20,133	20,096	28,725	19,923	56,978
298,167	0,260	0,448	0,956	0,200	-0,037	0,480	0,651	70,525	19,642	23,619	21,265	20,938	20,128	20,096	28,759	19,923	56,978
298,500	0,260	0,448	0,963	0,203	0,002	0,480	0,651	70,538	19,710	23,601	21,252	20,943	20,135	20,103	28,783	19,924	56,982
298,834	0,257	0,448	0,959	0,200	0,057	0,481	0,651	70,535	19,709	23,608	21,263	20,936	20,135	20,096	28,775	19,922	56,980

Pellematic 56_test cat I_040321.DAT

Category: I

	1103	1105	1106	130	230	101	102	1	2	3	6	7	8	11	
Mättid	T3 inlet load side	T2 inlet boiler	T1 outlet boiler	Flow load side	Flow boiler side	Heat output load side	Heat output boiler	CO chimney	CO2 chimney	O2 chimney	Pstat	Pdyn	Tunnel velocity	Våg	Tidpunkt
Minuter	°C	°C	°C	m³/h	m³/h	W	W	ppm	%	%	Pa	Pa	m/s	kg	Klockan
287,167	42,023	60,394	74,144	0,448	0,481	7760,162	7554,351	151,160	6,632	13,993	4,028	38,651	8,026	15,845	2021-03-04 13:09
287,500	42,032	60,336	74,136	0,447	0,481	7745,232	7586,257	172,040	6,521	14,113	3,958	38,754	8,037	15,970	2021-03-04 13:10
287,833	42,037	60,295	74,164	0,447	0,481	7744,830	7621,543	179,080	6,493	14,139	4,023	38,656	8,027	15,970	2021-03-04 13:10
288,167	42,038	60,282	74,139	0,447	0,481	7744,870	7614,712	185,835	6,507	14,121	4,027	38,667	8,028	15,970	2021-03-04 13:10
288,500	42,044	60,279	74,153	0,447	0,481	7749,810	7622,635	188,381	6,520	14,082	3,971	38,668	8,028	15,970	2021-03-04 13:11
288,833	42,047	60,276	74,152	0,449	0,481	7785,818	7625,120	171,616	6,680	13,912	4,073	38,637	8,025	15,970	2021-03-04 13:11
289,167	42,049	60,253	74,154	0,449	0,481	7772,291	7641,329	167,075	6,835	13,806	3,961	38,455	8,006	15,970	2021-03-04 13:11
289,500	42,051	60,246	74,137	0,450	0,481	7794,519	7633,253	154,039	6,734	13,894	4,080	38,350	7,995	15,960	2021-03-04 13:12
289,833	42,056	60,245	74,109	0,449	0,481	7705,761	7624,221	147,086	6,717	13,905	4,061	38,477	8,008	15,970	2021-03-04 13:12
290,167	42,064	60,293	74,121	0,449	0,481	7694,770	7600,724	155,719	6,715	13,897	3,897	38,737	8,035	15,970	2021-03-04 13:12
290,500	42,083	60,341	74,119	0,450	0,481	7699,377	7576,691	161,679	6,699	13,902	3,886	38,439	8,004	15,845	2021-03-04 13:13
290,833	42,100	60,359	74,111	0,449	0,481	7677,051	7557,033	154,067	6,725	13,885	4,051	38,580	8,019	15,970	2021-03-04 13:13
291,167	42,107	60,356	74,110	0,450	0,481	7685,078	7558,863	157,180	6,705	13,921	4,052	38,175	7,976	15,846	2021-03-04 13:13
291,500	42,110	60,360	74,102	0,449	0,481	7666,871	7558,602	153,803	6,577	14,039	4,017	38,453	8,005	15,845	2021-03-04 13:14
291,834	42,114	60,373	74,111	0,450	0,481	7678,362	7550,491	161,062	6,625	14,016	3,962	38,552	8,016	15,845	2021-03-04 13:14
292,167	42,119	60,370	74,113	0,450	0,481	7680,120	7551,110	179,489	6,562	14,049	4,075	38,652	8,026	15,845	2021-03-04 13:14
292,500	42,119	60,363	74,112	0,449	0,481	7672,165	7557,290	173,983	6,623	13,995	4,177	38,026	7,961	15,845	2021-03-04 13:15
292,834	42,129	60,381	74,128	0,449	0,481	7674,049	7556,796	155,792	6,666	13,944	4,130	38,317	7,991	15,845	2021-03-04 13:15
293,167	42,143	60,372	74,114	0,449	0,481	7674,019	7553,810	135,525	6,751	13,876	3,980	38,259	7,985	15,845	2021-03-04 13:15
293,500	42,149	60,390	74,134	0,450	0,481	7696,492	7551,504	134,003	6,787	13,826	3,997	38,567	8,017	15,752	2021-03-04 13:16
293,834	42,155	60,378	74,145	0,450	0,480	7691,791	7560,555	135,759	6,904	13,715	4,148	38,351	7,995	15,752	2021-03-04 13:16
294,167	42,160	60,360	74,159	0,450	0,481	7693,219	7584,531	134,172	7,002	13,637	4,007	38,592	8,020	15,752	2021-03-04 13:16
294,500	42,162	60,355	74,125	0,450	0,481	7697,662	7569,293	146,166	6,924	13,711	3,992	38,841	8,046	15,752	2021-03-04 13:17
294,833	42,158	60,361	74,130	0,450	0,481	7691,083	7568,184	152,207	6,911	13,701	4,050	38,201	7,979	15,752	2021-03-04 13:17
295,167	42,169	60,365	74,120	0,450	0,481	7677,645	7561,360	137,932	7,057	13,589	3,943	38,438	8,004	15,658	2021-03-04 13:17
295,500	42,186	60,358	74,086	0,450	0,481	7673,529	7547,833	130,145	7,001	13,629	4,097	38,526	8,013	15,752	2021-03-04 13:18
295,833	42,185	60,361	74,082	0,450	0,481	7666,675	7538,725	135,512	6,866	13,755	3,906	38,362	7,996	15,752	2021-03-04 13:18
296,167	42,190	60,366	74,077	0,450	0,481	7662,085	7534,857	139,720	6,706	13,916	4,012	38,091	7,968	15,752	2021-03-04 13:18
296,500	42,193	60,375	74,080	0,450	0,481	7658,998	7537,659	144,491	6,576	14,047	4,012	38,690	8,030	15,658	2021-03-04 13:19
296,833	42,213	60,370	74,064	0,450	0,481	7651,505	7531,826	152,384	6,459	14,164	4,093	38,510	8,011	15,658	2021-03-04 13:19
297,167	42,222	60,366	74,062	0,449	0,481	7637,322	7528,532	157,280	6,325	14,306	4,117	38,446	8,005	15,658	2021-03-04 13:19
297,500	42,217	60,375	74,063	0,449	0,481	7645,565	7523,960	163,298	6,238	14,374	4,007	38,204	7,980	15,658	2021-03-04 13:20
297,833	42,210	60,384	74,047	0,449	0,481	7640,750	7509,840	155,665	6,291	14,339	3,964	38,284	7,988	15,752	2021-03-04 13:20
298,167	42,217	60,388	74,052	0,449	0,481	7623,616	7508,748	154,574	6,191	14,415	4,001	38,485	8,009	15,658	2021-03-04 13:20
298,500	42,220	60,382	74,054	0,450	0,481	7641,169	7514,557	150,201	6,201	14,408	4,052	38,418	8,002	15,658	2021-03-04 13:21
298,834	42,218	60,375	74,054	0,449	0,481	7629,691	7517,136	146,846	6,201	14,419	3,999	38,255	7,985	15,658	2021-03-04 13:21

Pellematic 56_test cat I_040321.DAT

Category: I

	301	302	304	305	306	308	317	1311	1312	1313	1314	1315	1316	1317	1318	1101	1102
Mättid	CO chimney	CO2 chimney	Pdyn	Pstat	Static pressure chimney	O2 chimney	Våg	Flue gas temp	Ambient	Flue gas at pitot	filter temp 1	filter temp 2	gas meter temp 1	gas meter temp 2	gasmeter temp ambient		T4 outlet load side
Minuter	VDC	VDC	VDC	VDC	VDC	VDC	VDC	°C	°C	°C	°C	°C	°C	°C	°C	°C	°C
299,167	0,259	0,448	0,961	0,200	0,002	0,480	0,651	70,550	19,716	23,640	21,256	20,944	20,133	20,096	28,767	19,925	56,977
299,500	0,255	0,452	0,962	0,204	0,079	0,475	0,651	70,537	19,739	23,595	21,242	20,948	20,135	20,087	28,762	19,926	56,974
299,834	0,249	0,459	0,963	0,197	0,000	0,470	0,651	70,512	19,742	23,593	21,246	20,950	20,133	20,099	28,758	19,925	56,974
300,167	0,251	0,461	0,960	0,208	0,024	0,467	0,650	70,510	19,751	23,553	21,233	20,940	20,130	20,102	28,757	19,928	56,986
300,500	0,251	0,467	0,961	0,197	0,015	0,462	0,650	70,534	19,688	23,591	21,247	20,972	20,155	20,115	28,785	19,936	56,980
300,834	0,248	0,475	0,956	0,205	0,067	0,455	0,649	70,553	19,674	23,626	21,257	20,958	20,153	20,109	28,784	19,937	56,974
301,167	0,244	0,482	0,968	0,193	0,055	0,450	0,649	70,556	19,706	23,672	21,257	20,962	20,157	20,111	28,792	19,938	56,989
301,500	0,243	0,484	0,960	0,201	-0,060	0,450	0,649	70,566	19,719	23,641	21,258	20,956	20,136	20,113	28,808	19,930	56,965
301,834	0,245	0,482	0,960	0,194	0,004	0,452	0,649	70,547	19,726	23,609	21,247	20,962	20,149	20,106	28,810	19,934	56,964
302,167	0,248	0,481	0,950	0,196	0,049	0,453	0,649	70,561	19,760	23,641	21,262	20,963	20,153	20,106	28,822	19,937	56,951
302,500	0,251	0,480	0,960	0,199	-0,016	0,453	0,649	70,551	19,752	23,661	21,263	20,965	20,154	20,117	28,833	19,939	56,956
302,833	0,249	0,484	0,960	0,197	0,001	0,448	0,649	70,565	19,765	23,639	21,258	20,963	20,154	20,112	28,827	19,934	56,943
303,167	0,246	0,491	0,950	0,202	0,024	0,443	0,648	70,599	19,747	23,621	21,253	20,964	20,156	20,114	28,833	19,939	56,935
303,500	0,245	0,496	0,959	0,206	0,006	0,437	0,648	70,606	19,746	23,563	21,253	20,960	20,157	20,120	28,850	19,939	57,006
303,833	0,246	0,499	0,963	0,204	0,023	0,439	0,648	70,541	19,688	23,552	21,246	20,953	20,164	20,114	28,841	19,943	57,049
304,167	0,250	0,494	0,956	0,204	0,043	0,444	0,648	70,558	19,718	23,591	21,249	20,965	20,150	20,123	28,832	19,941	57,035
304,500	0,254	0,490	0,953	0,195	-0,018	0,445	0,648	70,532	19,711	23,590	21,245	20,956	20,159	20,116	28,819	19,939	57,025
304,833	0,252	0,494	0,960	0,193	0,043	0,441	0,648	70,539	19,737	23,668	21,270	20,966	20,158	20,127	28,839	19,945	57,013
305,167	0,249	0,500	0,959	0,198	0,003	0,436	0,647	70,558	19,737	23,706	21,265	20,969	20,157	20,114	28,852	19,942	57,014
305,500	0,246	0,504	0,962	0,204	0,069	0,434	0,648	70,546	19,745	23,664	21,256	20,958	20,161	20,131	28,847	19,944	57,009
305,833	0,247	0,500	0,955	0,202	0,012	0,439	0,645	70,539	19,692	23,630	21,263	20,959	20,172	20,120	28,841	19,949	57,018
306,167	0,255	0,489	0,967	0,206	0,005	0,449	0,647	70,550	19,669	23,649	21,255	20,960	20,174	20,119	28,852	19,947	57,021
306,500	0,257	0,480	0,960	0,197	0,051	0,454	0,647	70,524	19,721	23,580	21,268	20,960	20,157	20,125	28,856	19,947	57,004
306,834	0,253	0,481	0,958	0,194	0,063	0,454	0,645	70,509	19,726	23,595	21,275	20,959	20,176	20,133	28,865	19,953	57,012
307,167	0,257	0,476	0,967	0,206	-0,003	0,459	0,646	70,537	19,753	23,607	21,277	20,972	20,181	20,135	28,879	19,959	56,998
307,500	0,262	0,469	0,964	0,196	-0,020	0,465	0,646	70,517	19,780	23,625	21,279	20,983	20,173	20,137	28,882	19,957	57,004
307,834	0,264	0,462	0,963	0,200	0,073	0,469	0,645	70,474	19,777	23,630	21,270	20,975	20,171	20,131	28,861	19,946	57,004
308,167	0,268	0,459	0,964	0,201	0,018	0,473	0,645	70,504	19,729	23,639	21,282	20,957	20,170	20,121	28,873	19,950	57,038
308,500	0,267	0,453	0,955	0,203	0,035	0,478	0,645	70,547	19,866	23,609	21,302	20,986	20,176	20,145	28,867	19,959	57,055
308,834	0,266	0,449	0,967	0,197	0,035	0,481	0,645	70,533	19,880	23,633	21,293	20,986	20,179	20,145	28,873	19,963	57,048
309,167	0,268	0,446	0,966	0,203	0,002	0,483	0,645	70,537	19,865	23,616	21,295	20,989	20,179	20,139	28,865	19,958	57,043
309,500	0,269	0,446	0,959	0,199	0,056	0,482	0,645	70,543	19,845	23,633	21,297	20,987	20,182	20,144	28,873	19,957	57,063
309,833	0,263	0,451	0,956	0,196	-0,028	0,475	0,645	70,532	19,808	23,649	21,301	20,980	20,173	20,139	28,886	19,957	57,051
310,167	0,253	0,463	0,962	0,198	0,002	0,466	0,644	70,547	19,825	23,590	21,295	20,989	20,189	20,141	28,878	19,958	57,044
310,500	0,251	0,470	0,957	0,197	0,069	0,462	0,644	70,574	19,836	23,563	21,290	20,993	20,186	20,146	28,878	19,957	57,048
310,833	0,256	0,470	0,956	0,201	0,026	0,463	0,644	70,576	19,746	23,627	21,291	20,985	20,190	20,147	28,872	19,959	57,049

Pellematic 56_test cat I_040321.DAT

Category: I

	1103	1105	1106	130	230	101	102	1	2	3	6	7	8	11	
Mättid	T3 inlet load side	T2 inlet boiler	T1 outlet boiler	Flow load side	Flow boiler side	Heat output load side	Heat output boiler	CO chimney	CO2 chimney	O2 chimney	Pstat	Pdyn	Tunnel velocity	Våg	Tidpunkt
Minuter	°C	°C	°C	m ³ /h	m ³ /h	W	W	ppm	%	%	Pa	Pa	m/s	kg	Klockan
299,167	42,219	60,382	74,034	0,450	0,481	7639,832	7506,816	150,112	6,207	14,398	4,003	38,695	8,031	15,658	2021-03-04 13:21
299,500	42,224	60,376	74,055	0,449	0,481	7622,029	7519,240	135,752	6,354	14,248	4,083	38,524	8,013	15,658	2021-03-04 13:22
299,834	42,226	60,374	74,050	0,449	0,481	7620,102	7520,200	123,923	6,507	14,091	3,931	38,650	8,026	15,658	2021-03-04 13:22
300,167	42,220	60,370	74,033	0,449	0,481	7633,406	7508,736	130,806	6,547	14,016	4,156	38,537	8,014	15,564	2021-03-04 13:22
300,500	42,222	60,362	74,010	0,450	0,481	7638,712	7497,243	129,387	6,731	13,845	3,937	38,570	8,018	15,564	2021-03-04 13:23
300,834	42,217	60,350	74,019	0,449	0,480	7628,923	7508,643	120,994	6,929	13,649	4,101	37,993	7,958	15,564	2021-03-04 13:23
301,167	42,215	60,355	74,033	0,449	0,481	7637,380	7515,058	109,833	7,085	13,507	3,867	38,947	8,057	15,564	2021-03-04 13:23
301,500	42,211	60,349	74,010	0,449	0,481	7627,719	7507,220	112,033	7,074	13,508	4,028	38,417	8,002	15,564	2021-03-04 13:24
301,834	42,213	60,354	74,004	0,450	0,481	7637,466	7499,217	117,548	7,025	13,568	3,880	38,134	7,972	15,564	2021-03-04 13:24
302,167	42,210	60,341	74,010	0,450	0,481	7635,159	7514,504	124,269	7,020	13,593	3,922	37,877	7,945	15,564	2021-03-04 13:24
302,500	42,207	60,342	74,004	0,448	0,481	7613,670	7511,498	133,915	6,989	13,595	3,979	38,594	8,020	15,564	2021-03-04 13:25
302,833	42,197	60,343	73,981	0,449	0,481	7628,301	7497,778	119,728	7,160	13,436	3,945	38,124	7,971	15,470	2021-03-04 13:25
303,167	42,188	60,332	73,968	0,449	0,481	7629,218	7492,260	117,702	7,304	13,292	4,034	38,171	7,976	15,470	2021-03-04 13:25
303,500	42,182	60,325	73,965	0,449	0,481	7659,258	7497,043	112,850	7,470	13,125	4,115	38,622	8,023	15,470	2021-03-04 13:26
303,833	42,182	60,308	73,931	0,449	0,481	7682,971	7489,315	121,324	7,446	13,160	4,082	38,442	8,004	15,470	2021-03-04 13:26
304,167	42,176	60,253	73,945	0,449	0,481	7678,906	7524,864	132,145	7,294	13,307	4,081	38,020	7,960	15,470	2021-03-04 13:26
304,500	42,172	60,223	73,950	0,449	0,480	7675,063	7540,481	140,133	7,233	13,362	3,898	37,809	7,938	15,470	2021-03-04 13:27
304,833	42,165	60,224	73,952	0,450	0,481	7693,045	7543,191	131,038	7,404	13,223	3,859	38,492	8,010	15,470	2021-03-04 13:27
305,167	42,159	60,216	73,952	0,449	0,481	7678,849	7548,497	123,353	7,533	13,091	3,956	38,100	7,969	15,470	2021-03-04 13:27
305,500	42,158	60,219	73,968	0,449	0,481	7680,570	7561,472	116,069	7,602	13,035	4,083	38,558	8,016	15,470	2021-03-04 13:28
305,833	42,157	60,214	73,973	0,449	0,481	7676,705	7558,804	123,710	7,463	13,176	4,043	38,203	7,979	15,342	2021-03-04 13:28
306,167	42,149	60,207	73,974	0,449	0,480	7682,098	7560,676	144,234	7,131	13,482	4,126	38,779	8,039	15,470	2021-03-04 13:28
306,500	42,141	60,201	73,987	0,450	0,481	7701,447	7576,838	143,578	6,960	13,629	3,945	38,362	7,996	15,470	2021-03-04 13:29
306,834	42,127	60,189	73,975	0,450	0,481	7705,156	7578,069	135,065	7,024	13,613	3,888	38,341	7,994	15,343	2021-03-04 13:29
307,167	42,124	60,196	73,982	0,449	0,481	7691,853	7574,626	149,290	6,854	13,771	4,125	38,610	8,022	15,342	2021-03-04 13:29
307,500	42,122	60,204	74,004	0,449	0,481	7698,212	7581,826	159,590	6,673	13,954	3,930	38,535	8,014	15,401	2021-03-04 13:30
307,834	42,124	60,205	74,020	0,450	0,481	7701,318	7590,508	165,659	6,538	14,076	3,999	38,476	8,008	15,342	2021-03-04 13:30
308,167	42,136	60,195	74,010	0,449	0,481	7699,475	7591,106	176,893	6,437	14,195	4,018	38,497	8,010	15,343	2021-03-04 13:30
308,500	42,147	60,219	74,009	0,449	0,480	7708,366	7574,419	166,738	6,293	14,341	4,054	38,365	7,996	15,343	2021-03-04 13:31
308,834	42,152	60,218	74,006	0,449	0,481	7703,746	7575,643	170,334	6,188	14,442	3,942	38,730	8,034	15,342	2021-03-04 13:31
309,167	42,156	60,223	74,007	0,449	0,480	7696,152	7570,696	172,775	6,147	14,487	4,062	38,351	7,995	15,343	2021-03-04 13:31
309,500	42,159	60,214	73,993	0,450	0,481	7713,854	7569,947	176,561	6,143	14,464	3,989	38,369	7,997	15,343	2021-03-04 13:32
309,833	42,149	60,233	73,984	0,449	0,481	7704,894	7560,630	153,920	6,334	14,260	3,927	38,241	7,983	15,249	2021-03-04 13:32
310,167	42,159	60,233	73,987	0,449	0,481	7696,724	7557,806	131,653	6,640	13,972	3,953	38,793	8,041	15,249	2021-03-04 13:32
310,500	42,163	60,222	73,989	0,449	0,481	7699,465	7566,100	133,741	6,771	13,865	3,931	38,280	7,988	15,249	2021-03-04 13:33
310,833	42,163	60,234	73,983	0,449	0,481	7696,160	7554,718	142,044	6,736	13,882	4,026	38,402	8,000	15,249	2021-03-04 13:33

Pellematic 56_test cat I_040321.DAT

Category: I

	301	302	304	305	306	308	317	1311	1312	1313	1314	1315	1316	1317	1318	1101	1102
Mättid	CO chimney	CO2 chimney	Pdyn	Pstat	Static pressure chimney	O2 chimney	Våg	Flue gas temp	Ambient	Flue gas at pitot	filter temp 1	filter temp 2	gas meter temp 1	gas meter temp 2	gasmeter temp ambient		T4 outlet load side
Minuter	VDC	VDC	VDC	VDC	VDC	VDC	VDC	°C	°C	°C	°C	°C	°C	°C	°C	°C	°C
311,167	0,256	0,470	0,956	0,204	-0,037	0,462	0,645	70,560	19,773	23,661	21,283	20,992	20,192	20,140	28,868	19,959	57,041
311,500	0,254	0,471	0,955	0,204	0,053	0,461	0,644	70,577	19,767	23,663	21,300	20,997	20,186	20,145	28,863	19,964	57,044
311,833	0,252	0,471	0,965	0,202	0,061	0,462	0,643	70,588	19,778	23,615	21,284	20,986	20,196	20,147	28,868	19,962	57,034
312,167	0,252	0,469	0,966	0,202	-0,031	0,461	0,643	70,575	19,793	23,697	21,311	20,993	20,198	20,152	28,862	19,968	57,030
312,500	0,249	0,475	0,954	0,202	0,045	0,457	0,643	70,566	19,725	23,692	21,303	21,004	20,192	20,151	28,861	19,959	57,035
312,833	0,246	0,476	0,958	0,202	-0,035	0,457	0,643	70,587	19,762	23,724	21,301	20,997	20,189	20,151	28,881	19,961	57,031
313,167	0,250	0,472	0,962	0,200	0,051	0,461	0,642	70,620	19,796	23,693	21,308	20,994	20,192	20,149	28,884	19,959	57,025
313,500	0,257	0,470	0,960	0,202	-0,008	0,461	0,642	70,622	19,825	23,768	21,332	21,018	20,197	20,155	28,902	19,965	57,024
313,833	0,254	0,472	0,965	0,193	0,021	0,458	0,642	70,636	19,838	23,721	21,326	21,011	20,195	20,160	28,899	19,964	57,034
314,167	0,248	0,480	0,966	0,198	0,072	0,451	0,642	70,624	19,803	23,675	21,322	21,020	20,198	20,153	28,892	19,967	57,031
314,500	0,245	0,489	0,963	0,201	-0,040	0,445	0,642	70,607	19,728	23,711	21,326	21,011	20,201	20,159	28,903	19,972	57,025
314,834	0,245	0,491	0,953	0,201	0,027	0,445	0,642	70,551	19,721	23,665	21,304	21,012	20,193	20,156	28,900	19,968	57,005
315,167	0,248	0,489	0,951	0,201	0,063	0,446	0,642	70,577	19,654	23,687	21,309	21,007	20,201	20,172	28,907	19,970	57,007
315,500	0,252	0,490	0,962	0,201	0,017	0,445	0,641	70,596	19,678	23,666	21,309	21,011	20,200	20,160	28,897	19,971	57,006
315,834	0,251	0,493	0,955	0,202	0,030	0,443	0,641	70,596	19,675	23,649	21,311	21,011	20,208	20,163	28,893	19,973	56,979
316,167	0,250	0,492	0,958	0,196	0,037	0,444	0,641	70,607	19,705	23,634	21,309	21,016	20,212	20,173	28,898	19,977	56,980
316,500	0,253	0,488	0,964	0,200	-0,034	0,449	0,641	70,608	19,676	23,632	21,310	21,021	20,210	20,180	28,925	19,985	57,002
316,834	0,258	0,480	0,960	0,202	-0,006	0,455	0,641	70,619	19,713	23,605	21,320	21,020	20,227	20,190	28,906	19,993	56,985
317,167	0,261	0,475	0,959	0,198	0,026	0,458	0,641	70,595	19,689	23,620	21,314	21,029	20,220	20,171	28,911	19,988	56,989
317,500	0,259	0,474	0,962	0,199	0,079	0,459	0,641	70,578	19,719	23,634	21,302	21,004	20,206	20,170	28,910	19,979	56,997
317,833	0,262	0,470	0,966	0,202	0,021	0,463	0,641	70,596	19,755	23,662	21,296	21,001	20,206	20,161	28,923	19,974	56,992
318,167	0,268	0,467	0,964	0,200	-0,020	0,464	0,640	70,618	19,753	23,636	21,298	21,013	20,211	20,167	28,935	19,981	56,986
318,500	0,268	0,469	0,963	0,203	0,044	0,462	0,641	70,610	19,736	23,625	21,290	20,998	20,219	20,172	28,932	19,979	56,990
318,833	0,265	0,470	0,964	0,202	-0,022	0,463	0,639	70,636	19,764	23,591	21,296	20,989	20,214	20,163	28,935	19,979	56,998
319,167	0,266	0,467	0,962	0,199	0,046	0,465	0,639	70,645	19,777	23,647	21,308	20,996	20,209	20,178	28,951	19,984	57,021
319,500	0,263	0,466	0,960	0,204	0,007	0,465	0,640	70,661	19,717	23,653	21,306	21,004	20,221	20,188	28,947	19,980	57,029
319,833	0,262	0,467	0,967	0,197	0,034	0,465	0,639	70,686	19,744	23,689	21,333	21,014	20,233	20,187	28,971	19,997	57,025
320,167	0,255	0,472	0,964	0,197	-0,029	0,458	0,640	70,656	19,753	23,667	21,317	21,010	20,225	20,191	28,954	19,991	57,012
320,500	0,249	0,482	0,961	0,188	0,074	0,450	0,640	70,632	19,741	23,671	21,304	21,001	20,218	20,173	28,961	19,979	57,006
320,833	0,247	0,487	0,953	0,203	-0,002	0,449	0,639	70,647	19,762	23,696	21,332	21,030	20,240	20,202	28,997	20,005	57,004
321,167	0,249	0,481	0,952	0,201	0,031	0,456	0,638	70,633	19,725	23,685	21,317	21,011	20,222	20,178	28,979	19,985	57,017
321,500	0,251	0,474	0,954	0,208	0,005	0,459	0,639	70,643	19,682	23,642	21,329	21,015	20,224	20,195	28,991	19,995	57,023
321,833	0,248	0,476	0,950	0,198	0,027	0,455	0,638	70,586	19,716	23,633	21,313	21,006	20,221	20,184	28,985	19,993	56,948
322,167	0,249	0,481	0,956	0,201	0,038	0,452	0,638	70,603	19,731	23,603	21,308	21,004	20,210	20,181	28,992	19,985	56,905
322,500	0,247	0,483	0,963	0,202	0,003	0,451	0,637	70,597	19,730	23,629	21,313	21,017	20,227	20,188	28,997	19,991	56,902
322,834	0,251	0,484	0,957	0,195	-0,004	0,452	0,637	70,592	19,728	23,633	21,312	21,020	20,234	20,201	29,000	19,998	56,905

Pellematic 56_test cat I_040321.DAT

Category: I

	1103	1105	1106	130	230	101	102	1	2	3	6	7	8	11	
Mättid	T3 inlet load side	T2 inlet boiler	T1 outlet boiler	Flow load side	Flow boiler side	Heat output load side	Heat output boiler	CO chimney	CO2 chimney	O2 chimney	Pstat	Pdyn	Tunnel velocity	Våg	Tidpunkt
Minuter	°C	°C	°C	m ³ /h	m ³ /h	W	W	ppm	%	%	Pa	Pa	m/s	kg	Klockan
311,167	42,158	60,225	73,970	0,450	0,480	7702,398	7550,018	142,811	6,750	13,864	4,076	38,296	7,989	15,249	2021-03-04 13:33
311,500	42,159	60,218	73,989	0,450	0,481	7716,633	7566,360	136,496	6,782	13,824	4,078	38,315	7,991	15,249	2021-03-04 13:34
311,833	42,163	60,212	73,968	0,450	0,481	7695,996	7561,262	135,594	6,764	13,849	4,035	38,393	7,999	15,249	2021-03-04 13:34
312,167	42,164	60,217	73,965	0,449	0,481	7688,298	7556,901	132,816	6,746	13,830	4,038	38,540	8,015	15,249	2021-03-04 13:34
312,500	42,161	60,224	73,956	0,450	0,480	7700,441	7541,495	123,242	6,904	13,721	4,032	38,081	7,967	15,249	2021-03-04 13:35
312,833	42,155	60,212	73,962	0,449	0,481	7691,748	7559,380	116,782	6,914	13,708	4,037	38,186	7,978	15,155	2021-03-04 13:35
313,167	42,157	60,209	73,974	0,450	0,481	7694,048	7566,689	131,290	6,756	13,824	4,005	38,684	8,030	15,155	2021-03-04 13:35
313,500	42,157	60,203	73,912	0,449	0,481	7688,866	7534,616	147,239	6,747	13,840	4,047	38,392	7,999	15,155	2021-03-04 13:36
313,833	42,151	60,207	73,927	0,448	0,481	7678,204	7540,071	134,003	6,841	13,746	3,852	38,607	8,022	15,133	2021-03-04 13:36
314,167	42,147	60,220	73,918	0,449	0,481	7687,403	7528,793	120,340	7,045	13,529	3,964	38,510	8,011	15,155	2021-03-04 13:36
314,500	42,140	60,215	73,939	0,449	0,481	7696,085	7543,138	115,363	7,249	13,358	4,028	38,328	7,992	15,155	2021-03-04 13:37
314,834	42,134	60,209	73,929	0,449	0,481	7691,022	7544,607	116,056	7,278	13,345	4,022	38,028	7,961	15,155	2021-03-04 13:37
315,167	42,127	60,204	73,916	0,449	0,481	7695,875	7535,610	124,754	7,225	13,381	4,027	38,293	7,989	15,155	2021-03-04 13:37
315,500	42,116	60,204	73,924	0,449	0,481	7704,715	7539,208	133,748	7,254	13,337	4,019	38,514	8,012	15,062	2021-03-04 13:38
315,834	42,112	60,194	73,900	0,450	0,481	7697,695	7537,154	128,706	7,326	13,281	4,042	38,333	7,993	15,062	2021-03-04 13:38
316,167	42,111	60,178	73,907	0,450	0,480	7700,353	7542,297	129,965	7,298	13,318	3,924	38,349	7,995	15,062	2021-03-04 13:38
316,500	42,105	60,172	73,918	0,450	0,481	7710,033	7558,967	137,417	7,159	13,461	4,009	38,567	8,017	15,062	2021-03-04 13:39
316,834	42,101	60,184	73,923	0,450	0,481	7707,423	7553,522	153,168	6,965	13,659	4,047	38,417	8,002	15,062	2021-03-04 13:39
317,167	42,110	60,168	73,916	0,450	0,481	7702,846	7557,005	155,308	6,876	13,727	3,954	38,146	7,974	15,062	2021-03-04 13:39
317,500	42,123	60,183	73,936	0,449	0,481	7693,866	7559,252	149,600	6,848	13,771	3,977	38,509	8,011	15,062	2021-03-04 13:40
317,833	42,125	60,178	73,923	0,450	0,481	7697,260	7555,012	161,818	6,714	13,902	4,038	38,474	8,008	15,062	2021-03-04 13:40
318,167	42,123	60,184	73,931	0,451	0,481	7708,573	7555,411	175,121	6,676	13,932	4,003	38,622	8,023	15,062	2021-03-04 13:40
318,500	42,133	60,182	73,945	0,450	0,481	7694,782	7563,342	173,778	6,747	13,864	4,067	38,648	8,026	15,062	2021-03-04 13:41
318,833	42,145	60,186	73,933	0,449	0,481	7685,396	7557,984	162,792	6,758	13,877	4,038	38,792	8,041	14,967	2021-03-04 13:41
319,167	42,148	60,186	73,943	0,449	0,481	7682,790	7564,064	166,807	6,658	13,956	3,975	38,633	8,024	14,968	2021-03-04 13:41
319,500	42,143	60,189	73,958	0,450	0,481	7711,432	7565,340	159,095	6,658	13,959	4,084	38,704	8,032	15,055	2021-03-04 13:42
319,833	42,151	60,187	73,940	0,450	0,481	7700,628	7557,890	155,597	6,669	13,937	3,948	38,870	8,049	14,968	2021-03-04 13:42
320,167	42,154	60,194	73,958	0,449	0,481	7681,132	7570,133	135,493	6,860	13,746	3,947	38,588	8,020	15,049	2021-03-04 13:42
320,500	42,159	60,195	73,940	0,449	0,481	7674,507	7554,303	123,004	7,105	13,506	3,765	38,562	8,017	15,062	2021-03-04 13:43
320,833	42,157	60,205	73,941	0,449	0,481	7681,365	7551,932	122,242	7,167	13,473	4,068	37,848	7,942	14,968	2021-03-04 13:43
321,167	42,161	60,209	73,923	0,449	0,481	7681,159	7538,567	128,238	6,960	13,671	4,013	38,248	7,984	14,843	2021-03-04 13:43
321,500	42,162	60,215	73,945	0,449	0,481	7687,906	7546,026	131,387	6,823	13,772	4,160	38,139	7,973	14,968	2021-03-04 13:44
321,833	42,161	60,215	73,944	0,449	0,481	7650,753	7555,220	123,233	6,932	13,661	3,959	37,968	7,955	14,967	2021-03-04 13:44
322,167	42,153	60,219	73,946	0,449	0,481	7621,865	7545,982	124,680	7,032	13,571	4,015	38,506	8,011	14,843	2021-03-04 13:44
322,500	42,153	60,272	73,952	0,449	0,481	7627,484	7517,832	117,217	7,101	13,516	4,049	38,428	8,003	14,843	2021-03-04 13:45
322,834	42,156	60,292	73,962	0,450	0,481	7637,885	7516,781	138,354	7,074	13,554	3,895	38,219	7,981	14,843	2021-03-04 13:45

Pellematic 56_test cat I_040321.DAT

Category: I

	301	302	304	305	306	308	317	1311	1312	1313	1314	1315	1316	1317	1318	1101	1102
Mättid	CO chimney	CO2 chimney	Pdyn	Pstat	Static pressure chimney	O2 chimney	Våg	Flue gas temp	Ambient	Flue gas at pitot	filter temp 1	filter temp 2	gas meter temp 1	gas meter temp 2	gasmeter temp ambient		T4 outlet load side
Minuter	VDC	VDC	VDC	VDC	VDC	VDC	VDC	°C	°C	°C	°C	°C	°C	°C	°C	°C	°C
323,167	0,255	0,477	0,954	0,196	0,047	0,458	0,637	70,550	19,746	23,617	21,312	21,002	20,219	20,185	29,003	19,985	56,900
323,500	0,256	0,473	0,960	0,200	0,056	0,461	0,637	70,510	19,747	23,639	21,317	21,009	20,225	20,180	28,997	19,988	56,899
323,834	0,261	0,468	0,961	0,194	-0,026	0,466	0,637	70,547	19,729	23,668	21,318	21,014	20,224	20,195	29,007	19,991	56,904
324,167	0,263	0,461	0,962	0,198	0,068	0,470	0,637	70,585	19,738	23,698	21,333	21,015	20,231	20,201	29,017	19,993	56,907
324,500	0,266	0,459	0,963	0,199	0,005	0,470	0,637	70,595	19,724	23,718	21,324	21,023	20,234	20,194	29,026	19,995	56,930
324,834	0,268	0,462	0,958	0,200	0,005	0,467	0,637	70,591	19,740	23,670	21,325	21,022	20,230	20,192	29,019	19,991	56,944
325,167	0,267	0,465	0,958	0,199	0,005	0,466	0,637	70,625	19,794	23,689	21,335	21,032	20,240	20,209	29,042	19,999	57,037
325,500	0,271	0,464	0,955	0,199	0,067	0,467	0,636	70,650	19,775	23,723	21,363	21,055	20,273	20,224	29,066	20,023	57,074
325,833	0,269	0,464	0,958	0,198	0,046	0,467	0,636	70,623	19,712	23,710	21,335	21,031	20,239	20,197	29,037	19,997	57,063
326,167	0,263	0,466	0,960	0,198	0,033	0,464	0,636	70,609	19,749	23,702	21,332	21,028	20,244	20,187	29,040	19,997	57,092
326,500	0,258	0,471	0,961	0,201	-0,036	0,461	0,636	70,595	19,780	23,687	21,337	21,024	20,234	20,198	29,049	19,995	57,101
326,833	0,259	0,474	0,955	0,202	0,002	0,458	0,636	70,626	19,774	23,722	21,334	21,029	20,222	20,196	29,035	19,994	57,089
327,167	0,258	0,479	0,959	0,191	0,092	0,453	0,636	70,659	19,784	23,753	21,342	21,037	20,246	20,209	29,046	20,002	57,082
327,500	0,257	0,483	0,965	0,197	0,002	0,451	0,636	70,677	19,815	23,712	21,330	21,034	20,233	20,200	29,066	19,999	57,085
327,833	0,252	0,484	0,955	0,202	0,034	0,451	0,634	70,656	19,803	23,723	21,335	21,048	20,251	20,209	29,078	20,007	57,095
328,167	0,255	0,481	0,957	0,197	0,006	0,455	0,635	70,656	19,825	23,723	21,359	21,060	20,267	20,226	29,091	20,025	57,085
328,500	0,260	0,475	0,956	0,196	0,067	0,459	0,635	70,621	19,682	23,774	21,367	21,070	20,275	20,235	29,075	20,028	57,101
328,833	0,264	0,472	0,960	0,200	-0,005	0,459	0,634	70,632	19,715	23,775	21,359	21,065	20,259	20,218	29,060	20,016	57,098
329,167	0,259	0,478	0,960	0,193	0,045	0,452	0,634	70,631	19,746	23,697	21,353	21,052	20,254	20,211	29,049	20,013	57,064
329,500	0,256	0,483	0,965	0,202	0,029	0,452	0,635	70,601	19,770	23,667	21,347	21,057	20,256	20,214	29,054	20,016	57,040
329,834	0,262	0,478	0,963	0,199	-0,013	0,457	0,634	70,651	19,749	23,639	21,337	21,042	20,262	20,215	29,039	20,009	57,055
330,167	0,265	0,473	0,960	0,192	0,004	0,459	0,635	70,655	19,741	23,641	21,330	21,046	20,255	20,212	29,035	20,006	57,076
330,500	0,263	0,474	0,961	0,195	0,002	0,458	0,634	70,656	19,729	23,664	21,340	21,046	20,267	20,224	29,052	20,016	57,100
330,834	0,261	0,475	0,959	0,201	0,015	0,457	0,634	70,646	19,753	23,658	21,330	21,046	20,258	20,208	29,025	20,014	57,120
331,167	0,259	0,477	0,959	0,199	0,017	0,454	0,633	70,629	19,700	23,671	21,341	21,052	20,263	20,216	29,021	20,012	57,155
331,500	0,260	0,479	0,966	0,203	0,023	0,454	0,634	70,627	19,715	23,694	21,336	21,027	20,254	20,217	29,034	20,009	56,965
331,834	0,259	0,482	0,972	0,198	0,057	0,451	0,633	70,636	19,737	23,771	21,335	21,042	20,242	20,213	29,024	20,004	56,697
332,167	0,260	0,482	0,962	0,197	-0,036	0,452	0,633	70,600	19,671	23,732	21,339	21,041	20,242	20,207	29,026	20,005	56,747
332,500	0,258	0,479	0,960	0,196	0,063	0,455	0,633	70,613	19,689	23,714	21,331	21,036	20,253	20,212	29,028	20,005	56,777
332,834	0,256	0,476	0,952	0,203	0,001	0,458	0,633	70,596	19,696	23,661	21,330	21,030	20,253	20,219	29,019	20,009	56,933
333,167	0,254	0,472	0,960	0,201	0,034	0,461	0,633	70,594	19,646	23,711	21,330	21,033	20,253	20,221	29,017	20,011	56,932
333,500	0,253	0,469	0,966	0,200	0,024	0,462	0,632	70,622	19,670	23,720	21,331	21,037	20,253	20,218	29,020	20,012	56,940
333,833	0,251	0,472	0,948	0,202	0,058	0,459	0,633	70,626	19,703	23,742	21,340	21,038	20,255	20,235	29,027	20,020	56,952
334,167	0,249	0,474	0,962	0,202	-0,026	0,458	0,631	70,640	19,731	23,728	21,339	21,050	20,269	20,237	29,021	20,023	57,007
334,500	0,250	0,474	0,955	0,200	0,033	0,458	0,632	70,635	19,759	23,678	21,321	21,029	20,259	20,219	29,002	20,012	57,005
334,833	0,247	0,475	0,955	0,202	0,003	0,457	0,631	70,649	19,755	23,686	21,324	21,028	20,260	20,216	28,994	20,016	57,050

Pellematic 56_test cat I_040321.DAT

Category: I

	1103	1105	1106	130	230	101	102	1	2	3	6	7	8	11	
Mättid	T3 inlet load side	T2 inlet boiler	T1 outlet boiler	Flow load side	Flow boiler side	Heat output load side	Heat output boiler	CO chimney	CO2 chimney	O2 chimney	Pstat	Pdyn	Tunnel velocity	Våg	Tidpunkt
Minuter	°C	°C	°C	m ³ /h	m ³ /h	W	W	ppm	%	%	Pa	Pa	m/s	kg	Klockan
323,167	42,153	60,297	73,952	0,448	0,481	7613,366	7504,326	142,561	6,875	13,725	3,921	37,975	7,956	14,843	2021-03-04 13:45
323,500	42,153	60,303	73,966	0,449	0,481	7623,263	7509,055	143,869	6,803	13,817	4,010	38,137	7,973	14,843	2021-03-04 13:46
323,834	42,147	60,309	73,950	0,449	0,481	7630,242	7496,784	159,013	6,647	13,982	3,877	38,442	8,004	14,843	2021-03-04 13:46
324,167	42,150	60,306	73,959	0,449	0,481	7626,082	7503,596	158,427	6,505	14,108	3,953	38,678	8,029	14,843	2021-03-04 13:46
324,500	42,153	60,308	73,953	0,450	0,481	7647,938	7501,093	172,732	6,489	14,103	3,987	38,433	8,003	14,843	2021-03-04 13:47
324,834	42,151	60,310	73,950	0,449	0,481	7645,456	7497,885	169,494	6,593	14,012	4,003	38,249	7,984	14,749	2021-03-04 13:47
325,167	42,150	60,311	73,965	0,449	0,481	7702,672	7506,777	172,174	6,633	13,980	3,972	38,170	7,976	14,749	2021-03-04 13:47
325,500	42,169	60,286	73,938	0,449	0,481	7703,098	7503,693	183,857	6,600	14,008	3,989	38,438	8,004	14,749	2021-03-04 13:48
325,833	42,185	60,237	73,948	0,449	0,481	7693,957	7535,394	171,764	6,601	14,004	3,968	38,313	7,991	14,749	2021-03-04 13:48
326,167	42,195	60,226	73,936	0,449	0,481	7707,165	7537,568	154,191	6,706	13,910	3,965	38,444	8,005	14,749	2021-03-04 13:48
326,500	42,217	60,229	73,954	0,449	0,481	7688,616	7544,654	147,994	6,782	13,824	4,012	38,447	8,005	14,749	2021-03-04 13:49
326,833	42,243	60,229	73,947	0,450	0,481	7683,269	7543,887	149,021	6,874	13,728	4,044	37,998	7,958	14,749	2021-03-04 13:49
327,167	42,252	60,229	73,935	0,449	0,481	7657,979	7532,890	148,102	7,004	13,602	3,822	38,155	7,974	14,749	2021-03-04 13:49
327,500	42,264	60,237	73,922	0,449	0,481	7667,003	7523,703	141,937	7,069	13,536	3,943	38,527	8,013	14,749	2021-03-04 13:50
327,833	42,316	60,241	73,923	0,449	0,481	7646,460	7519,284	132,652	7,094	13,528	4,042	38,158	7,975	14,655	2021-03-04 13:50
328,167	42,374	60,249	73,924	0,449	0,481	7599,345	7519,224	142,896	6,992	13,639	3,947	38,131	7,972	14,655	2021-03-04 13:50
328,500	42,388	60,254	73,925	0,449	0,481	7606,412	7517,493	157,541	6,841	13,779	3,930	38,310	7,991	14,655	2021-03-04 13:51
328,833	42,400	60,273	73,921	0,449	0,481	7598,425	7503,289	162,535	6,819	13,772	3,991	38,656	8,027	14,655	2021-03-04 13:51
329,167	42,444	60,284	73,921	0,449	0,481	7548,192	7496,004	144,914	7,007	13,569	3,854	38,389	7,999	14,655	2021-03-04 13:51
329,500	42,490	60,309	73,927	0,449	0,481	7514,303	7491,459	146,493	7,045	13,564	4,037	38,523	8,013	14,656	2021-03-04 13:52
329,834	42,523	60,366	73,919	0,449	0,481	7504,159	7454,197	161,993	6,911	13,705	3,978	38,670	8,028	14,655	2021-03-04 13:52
330,167	42,540	60,420	73,943	0,449	0,481	7517,480	7437,649	164,483	6,822	13,785	3,848	38,319	7,992	14,655	2021-03-04 13:52
330,500	42,575	60,432	73,940	0,449	0,481	7507,064	7430,063	157,665	6,863	13,751	3,907	38,410	8,001	14,655	2021-03-04 13:53
330,834	42,628	60,450	73,957	0,448	0,481	7472,343	7429,448	153,330	6,890	13,701	4,023	38,226	7,982	14,655	2021-03-04 13:53
331,167	42,663	60,474	73,973	0,447	0,481	7464,302	7418,509	153,419	6,949	13,633	3,985	38,335	7,993	14,562	2021-03-04 13:53
331,500	42,673	60,494	73,960	0,448	0,481	7362,531	7404,274	152,296	6,950	13,620	4,059	38,780	8,039	14,561	2021-03-04 13:54
331,834	42,699	60,523	73,954	0,447	0,481	7208,177	7386,519	150,857	7,074	13,529	3,965	38,710	8,032	14,562	2021-03-04 13:54
332,167	42,740	60,738	73,960	0,447	0,481	7210,324	7273,764	152,633	7,043	13,565	3,947	38,352	7,995	14,562	2021-03-04 13:54
332,500	42,766	60,878	73,960	0,447	0,482	7209,416	7201,291	143,823	6,956	13,656	3,914	38,223	7,982	14,562	2021-03-04 13:55
332,834	42,776	60,928	73,958	0,447	0,481	7280,556	7162,707	142,731	6,876	13,733	4,054	38,059	7,964	14,562	2021-03-04 13:55
333,167	42,791	60,926	73,965	0,446	0,481	7259,566	7172,840	135,525	6,761	13,837	4,012	38,593	8,020	14,562	2021-03-04 13:55
333,500	42,805	60,893	73,991	0,447	0,481	7277,897	7203,673	135,352	6,728	13,856	3,990	38,753	8,037	14,468	2021-03-04 13:56
333,833	42,811	60,890	73,960	0,446	0,481	7252,950	7184,045	128,646	6,815	13,780	4,036	37,958	7,954	14,562	2021-03-04 13:56
334,167	42,810	60,911	73,970	0,445	0,481	7276,438	7179,779	126,592	6,862	13,743	4,038	38,553	8,016	14,468	2021-03-04 13:56
334,500	42,814	60,930	73,960	0,445	0,481	7262,989	7163,902	127,622	6,841	13,752	3,996	38,287	7,988	14,467	2021-03-04 13:57
334,833	42,827	60,949	73,994	0,445	0,481	7283,334	7177,243	119,737	6,884	13,715	4,032	38,249	7,984	14,467	2021-03-04 13:57

Pellematic 56_test cat I_040321.DAT

Category: I

	301	302	304	305	306	308	317	1311	1312	1313	1314	1315	1316	1317	1318	1101	1102
Mättid	CO chimney	CO2 chimney	Pdyn	Pstat	Static pressure chimney	O2 chimney	Våg	Flue gas temp	Ambient	Flue gas at pitot	filter temp 1	filter temp 2	gas meter temp 1	gas meter temp 2	gasmeter temp ambient		T4 outlet load side
Minuter	VDC	VDC	VDC	VDC	VDC	VDC	VDC	°C	°C	°C	°C	°C	°C	°C	°C	°C	°C
335,167	0,248	0,475	0,958	0,201	0,013	0,458	0,631	70,649	19,759	23,682	21,324	21,038	20,269	20,226	28,996	20,019	57,006
335,500	0,249	0,472	0,957	0,202	0,058	0,461	0,631	70,673	19,751	23,724	21,319	21,033	20,269	20,237	29,010	20,024	57,010
335,833	0,251	0,467	0,949	0,201	0,061	0,466	0,631	70,687	19,757	23,718	21,320	21,036	20,277	20,226	29,016	20,022	57,012
336,167	0,253	0,461	0,953	0,203	-0,025	0,471	0,631	70,691	19,723	23,730	21,323	21,027	20,265	20,227	29,018	20,019	57,022
336,500	0,256	0,458	0,960	0,204	0,001	0,472	0,631	70,704	19,731	23,717	21,326	21,030	20,263	20,225	29,028	20,020	56,940
336,833	0,257	0,459	0,949	0,197	0,042	0,471	0,631	70,678	19,779	23,715	21,333	21,037	20,272	20,231	29,039	20,021	57,167
337,167	0,259	0,457	0,954	0,197	0,039	0,474	0,631	70,697	19,785	23,732	21,327	21,036	20,282	20,224	29,031	20,022	57,286
337,500	0,260	0,454	0,959	0,201	0,008	0,476	0,630	70,694	19,758	23,706	21,348	21,034	20,275	20,234	29,043	20,028	57,248
337,834	0,261	0,453	0,956	0,199	0,084	0,477	0,629	70,671	19,774	23,744	21,342	21,041	20,269	20,232	29,034	20,022	57,233
338,167	0,263	0,453	0,962	0,197	0,011	0,475	0,629	70,687	19,781	23,740	21,341	21,042	20,273	20,249	29,036	20,028	57,224
338,500	0,260	0,455	0,968	0,203	-0,030	0,475	0,629	70,676	19,825	23,708	21,337	21,044	20,280	20,247	29,028	20,029	56,989
338,834	0,258	0,457	0,963	0,201	0,034	0,471	0,630	70,660	19,836	23,769	21,355	21,033	20,277	20,235	29,013	20,026	56,773
339,167	0,251	0,469	0,961	0,196	0,025	0,459	0,629	70,657	19,865	23,728	21,340	21,043	20,292	20,251	29,019	20,038	56,793
339,500	0,244	0,482	0,954	0,193	0,026	0,449	0,629	70,656	19,755	23,697	21,352	21,044	20,291	20,242	29,030	20,035	56,837
339,834	0,243	0,485	0,953	0,194	0,011	0,450	0,629	70,671	19,796	23,709	21,327	21,042	20,280	20,237	29,043	20,029	56,897
340,167	0,248	0,479	0,963	0,198	0,038	0,455	0,629	70,645	19,815	23,703	21,335	21,036	20,282	20,241	29,050	20,028	56,868
340,500	0,251	0,476	0,959	0,196	0,017	0,456	0,629	70,696	19,877	23,707	21,339	21,033	20,284	20,258	29,068	20,034	56,857
340,833	0,251	0,478	0,958	0,204	0,018	0,454	0,628	70,698	19,933	23,695	21,345	21,046	20,290	20,245	29,063	20,034	56,837
341,167	0,247	0,483	0,958	0,197	0,072	0,450	0,628	70,676	19,819	23,736	21,351	21,048	20,285	20,242	29,068	20,034	56,829
341,500	0,247	0,483	0,963	0,188	0,012	0,451	0,628	70,697	19,822	23,719	21,331	21,034	20,284	20,236	29,055	20,027	57,184
341,833	0,250	0,480	0,959	0,189	-0,029	0,452	0,628	70,741	19,765	23,765	21,347	21,055	20,294	20,260	29,068	20,037	57,214
342,167	0,250	0,484	0,957	0,194	0,060	0,448	0,628	70,755	19,821	23,750	21,337	21,047	20,300	20,255	29,077	20,036	57,134
342,500	0,245	0,491	0,960	0,200	-0,026	0,443	0,628	70,772	19,877	23,741	21,360	21,054	20,307	20,265	29,067	20,050	57,140
342,833	0,245	0,493	0,961	0,198	0,065	0,443	0,628	70,764	19,895	23,760	21,347	21,059	20,292	20,264	29,053	20,040	57,137
343,167	0,245	0,491	0,958	0,200	0,024	0,443	0,627	70,789	19,874	23,798	21,354	21,058	20,289	20,251	29,042	20,039	57,146
343,500	0,245	0,496	0,956	0,196	0,027	0,438	0,627	70,763	19,835	23,762	21,337	21,058	20,294	20,250	29,029	20,033	57,141
343,833	0,247	0,498	0,960	0,202	0,002	0,438	0,627	70,787	19,860	23,758	21,354	21,058	20,293	20,261	29,035	20,036	56,664
344,167	0,250	0,496	0,952	0,207	0,053	0,439	0,626	70,789	19,786	23,734	21,358	21,063	20,296	20,253	29,044	20,033	56,697
344,500	0,256	0,495	0,957	0,196	0,026	0,441	0,626	70,792	19,834	23,751	21,374	21,061	20,299	20,263	29,053	20,042	56,853
344,833	0,256	0,495	0,957	0,202	0,021	0,440	0,626	70,812	19,812	23,745	21,373	21,065	20,297	20,253	29,038	20,037	56,825
345,167	0,253	0,497	0,947	0,208	0,003	0,440	0,626	70,794	19,814	23,711	21,367	21,059	20,304	20,259	29,039	20,038	56,819
345,500	0,256	0,494	0,960	0,194	0,068	0,444	0,626	70,771	19,840	23,746	21,370	21,058	20,304	20,268	29,043	20,044	56,837
345,834	0,255	0,489	0,950	0,206	0,021	0,448	0,626	70,772	19,807	23,789	21,360	21,062	20,308	20,262	29,021	20,039	56,829
346,167	0,258	0,485	0,961	0,199	-0,032	0,450	0,625	70,734	19,836	23,788	21,373	21,069	20,305	20,264	29,027	20,042	57,046
346,500	0,262	0,483	0,963	0,196	0,031	0,450	0,626	70,762	19,813	23,719	21,372	21,063	20,300	20,256	29,029	20,040	57,251
346,834	0,260	0,486	0,967	0,196	0,066	0,449	0,625	70,763	19,860	23,745	21,362	21,063	20,298	20,263	29,050	20,040	57,159

Pellematic 56_test cat I_040321.DAT

Category: I

	1103	1105	1106	130	230	101	102	1	2	3	6	7	8	11	
Mättid	T3 inlet load side	T2 inlet boiler	T1 outlet boiler	Flow load side	Flow boiler side	Heat output load side	Heat output boiler	CO chimney	CO2 chimney	O2 chimney	Pstat	Pdyn	Tunnel velocity	Våg	Tidpunkt
Minuter	°C	°C	°C	m ³ /h	m ³ /h	W	W	ppm	%	%	Pa	Pa	m/s	kg	Klockan
335,167	42,831	60,969	73,993	0,445	0,481	7260,935	7159,196	124,749	6,851	13,746	4,025	38,441	8,004	14,467	2021-03-04 13:57
335,500	42,819	60,975	74,002	0,445	0,481	7260,572	7162,077	126,277	6,785	13,828	4,045	38,195	7,979	14,468	2021-03-04 13:58
335,833	42,800	60,985	73,993	0,445	0,481	7272,423	7149,000	132,910	6,616	13,992	4,027	37,671	7,924	14,467	2021-03-04 13:58
336,167	42,788	60,986	74,009	0,444	0,481	7269,415	7161,725	137,276	6,494	14,118	4,056	38,376	7,998	14,467	2021-03-04 13:58
336,500	42,774	61,004	74,014	0,444	0,481	7233,267	7152,718	143,393	6,430	14,165	4,072	38,564	8,017	14,468	2021-03-04 13:59
336,833	42,760	61,006	74,020	0,444	0,481	7356,514	7156,078	144,240	6,495	14,129	3,940	37,691	7,926	14,468	2021-03-04 13:59
337,167	42,748	60,966	74,031	0,442	0,481	7400,730	7185,685	154,381	6,390	14,223	3,949	38,019	7,960	14,467	2021-03-04 13:59
337,500	42,727	60,794	74,023	0,443	0,481	7402,774	7272,285	152,576	6,336	14,277	4,015	38,277	7,987	14,343	2021-03-04 14:00
337,834	42,699	60,787	74,028	0,443	0,481	7406,623	7277,698	160,545	6,313	14,296	3,972	38,375	7,997	14,343	2021-03-04 14:00
338,167	42,683	60,783	74,052	0,443	0,481	7413,757	7302,054	158,428	6,343	14,261	3,948	38,396	8,000	14,343	2021-03-04 14:00
338,500	42,671	60,777	74,064	0,442	0,481	7290,235	7307,811	150,034	6,372	14,243	4,059	38,700	8,031	14,343	2021-03-04 14:01
338,834	42,655	60,818	74,067	0,442	0,482	7178,748	7292,710	146,251	6,459	14,120	4,011	38,405	8,000	14,250	2021-03-04 14:01
339,167	42,632	61,032	74,068	0,442	0,481	7208,632	7170,812	126,034	6,820	13,768	3,917	38,514	8,012	14,343	2021-03-04 14:01
339,500	42,612	61,122	74,066	0,442	0,481	7229,108	7121,280	109,844	7,125	13,475	3,857	38,384	7,998	14,250	2021-03-04 14:02
339,834	42,598	61,128	74,074	0,442	0,481	7267,739	7119,083	113,306	7,103	13,515	3,870	38,131	7,972	14,343	2021-03-04 14:02
340,167	42,584	61,084	74,070	0,441	0,481	7256,308	7140,530	128,049	6,960	13,643	3,953	38,828	8,044	14,343	2021-03-04 14:02
340,500	42,548	61,065	74,076	0,441	0,481	7264,658	7156,025	131,482	6,899	13,684	3,924	38,552	8,016	14,250	2021-03-04 14:03
340,833	42,514	61,046	74,095	0,440	0,482	7261,475	7182,432	128,413	6,954	13,611	4,080	37,918	7,950	14,250	2021-03-04 14:03
341,167	42,507	61,054	74,100	0,440	0,481	7259,593	7177,420	119,564	7,099	13,487	3,931	38,282	7,988	14,250	2021-03-04 14:03
341,500	42,505	61,044	74,102	0,441	0,482	7445,504	7186,803	120,726	7,052	13,542	3,751	38,623	8,023	14,250	2021-03-04 14:04
341,833	42,491	60,983	74,120	0,440	0,481	7456,025	7224,549	131,705	7,015	13,567	3,778	38,336	7,993	14,250	2021-03-04 14:04
342,167	42,474	60,802	74,143	0,440	0,481	7426,185	7338,553	123,653	7,149	13,440	3,878	38,450	8,005	14,250	2021-03-04 14:04
342,500	42,465	60,806	74,134	0,440	0,482	7432,425	7336,622	115,282	7,302	13,295	4,003	38,282	7,988	14,250	2021-03-04 14:05
342,833	42,464	60,815	74,168	0,441	0,481	7442,454	7345,160	115,029	7,308	13,290	3,966	38,401	8,000	14,250	2021-03-04 14:05
343,167	42,450	60,813	74,167	0,439	0,481	7429,216	7345,629	113,945	7,273	13,294	4,007	38,460	8,006	14,250	2021-03-04 14:05
343,500	42,429	60,840	74,191	0,439	0,481	7427,390	7342,622	116,786	7,447	13,152	3,916	38,286	7,988	14,156	2021-03-04 14:06
343,833	42,423	60,855	74,192	0,440	0,482	7205,558	7340,645	120,572	7,454	13,136	4,032	38,205	7,980	14,244	2021-03-04 14:06
344,167	42,424	60,960	74,225	0,439	0,481	7212,067	7299,200	132,114	7,408	13,183	4,131	37,895	7,947	14,156	2021-03-04 14:06
344,500	42,420	61,148	74,234	0,440	0,481	7306,657	7200,384	145,247	7,364	13,225	3,929	38,261	7,986	14,156	2021-03-04 14:07
344,833	42,391	61,155	74,245	0,440	0,481	7302,352	7200,279	140,144	7,392	13,199	4,036	38,498	8,010	14,156	2021-03-04 14:07
345,167	42,367	61,128	74,254	0,439	0,481	7296,308	7221,295	135,476	7,411	13,192	4,153	38,007	7,959	14,156	2021-03-04 14:07
345,500	42,376	61,134	74,283	0,439	0,481	7314,128	7234,515	142,457	7,297	13,310	3,888	38,665	8,028	14,062	2021-03-04 14:08
345,834	42,374	61,126	74,302	0,439	0,482	7304,112	7250,802	140,708	7,187	13,428	4,130	37,960	7,954	14,156	2021-03-04 14:08
346,167	42,361	61,136	74,304	0,439	0,481	7415,358	7243,987	151,496	7,109	13,511	3,978	38,497	8,010	14,062	2021-03-04 14:08
346,500	42,351	61,136	74,337	0,439	0,481	7529,707	7257,971	158,559	7,104	13,502	3,912	38,922	8,054	14,156	2021-03-04 14:09
346,834	42,345	60,948	74,333	0,438	0,481	7475,161	7361,176	153,133	7,149	13,463	3,925	38,620	8,023	14,062	2021-03-04 14:09

Pellematic 56_test cat I_040321.DAT

Category: I

	301	302	304	305	306	308	317	1311	1312	1313	1314	1315	1316	1317	1318	1101	1102
Mättid	CO chimney	CO2 chimney	Pdyn	Pstat	Static pressure chimney	O2 chimney	Våg	Flue gas temp	Ambient	Flue gas at pitot	filter temp 1	filter temp 2	gas meter temp 1	gas meter temp 2	gasmeter temp ambient		T4 outlet load side
Minuter	VDC	VDC	VDC	VDC	VDC	VDC	VDC	°C	°C	°C	°C	°C	°C	°C	°C	°C	°C
347,167	0,265	0,483	0,956	0,198	0,029	0,452	0,625	70,756	19,881	23,734	21,362	21,061	20,292	20,271	29,058	20,041	57,161
347,500	0,269	0,477	0,962	0,197	0,040	0,458	0,625	70,771	19,835	23,677	21,359	21,064	20,298	20,268	29,069	20,040	57,156
347,834	0,272	0,473	0,957	0,201	0,000	0,458	0,625	70,792	19,809	23,704	21,370	21,069	20,319	20,280	29,092	20,050	57,174
348,167	0,268	0,478	0,961	0,208	0,028	0,453	0,625	70,793	19,785	23,717	21,369	21,069	20,314	20,282	29,080	20,049	57,174
348,500	0,264	0,485	0,966	0,195	0,063	0,449	0,625	70,803	19,829	23,712	21,379	21,073	20,318	20,277	29,095	20,050	56,969
348,833	0,268	0,483	0,951	0,198	0,033	0,453	0,624	70,805	19,881	23,757	21,386	21,076	20,322	20,271	29,097	20,052	56,684
349,167	0,267	0,478	0,961	0,195	-0,001	0,456	0,623	70,858	19,921	23,758	21,380	21,088	20,320	20,279	29,099	20,058	56,723
349,500	0,262	0,477	0,958	0,188	0,096	0,457	0,623	70,884	19,876	23,747	21,394	21,090	20,342	20,298	29,127	20,070	56,815
349,833	0,261	0,476	0,955	0,205	0,034	0,458	0,623	70,848	19,871	23,753	21,379	21,081	20,324	20,286	29,119	20,060	56,899
350,167	0,263	0,471	0,959	0,204	0,002	0,463	0,623	70,819	19,849	23,773	21,371	21,079	20,331	20,275	29,108	20,057	56,901
350,500	0,263	0,467	0,967	0,200	0,064	0,465	0,623	70,801	19,838	23,722	21,374	21,085	20,327	20,281	29,105	20,058	56,876
350,833	0,261	0,468	0,964	0,195	0,025	0,463	0,623	70,821	19,984	23,763	21,402	21,109	20,361	20,316	29,134	20,093	56,906
351,167	0,259	0,474	0,960	0,203	-0,023	0,457	0,623	70,781	19,922	23,746	21,370	21,086	20,326	20,280	29,096	20,058	56,896
351,500	0,263	0,477	0,964	0,203	0,104	0,456	0,622	70,808	19,850	23,763	21,382	21,099	20,336	20,294	29,098	20,068	56,878
351,833	0,264	0,477	0,953	0,199	0,022	0,456	0,622	70,812	19,770	23,736	21,373	21,086	20,323	20,283	29,101	20,061	56,954
352,167	0,265	0,479	0,961	0,206	-0,017	0,454	0,621	70,844	19,829	23,712	21,381	21,099	20,357	20,297	29,119	20,074	57,322
352,500	0,263	0,482	0,965	0,203	0,065	0,452	0,621	70,843	19,860	23,719	21,385	21,091	20,345	20,297	29,112	20,070	57,188
352,833	0,263	0,480	0,960	0,197	0,031	0,454	0,621	70,843	19,912	23,719	21,373	21,094	20,333	20,292	29,120	20,064	57,196
353,167	0,262	0,476	0,972	0,201	-0,002	0,458	0,621	70,864	19,904	23,702	21,384	21,099	20,336	20,303	29,128	20,073	57,186
353,500	0,266	0,471	0,960	0,197	0,004	0,462	0,621	70,872	19,910	23,708	21,367	21,081	20,316	20,286	29,096	20,058	57,184
353,834	0,260	0,471	0,966	0,200	0,034	0,459	0,621	70,883	19,894	23,699	21,377	21,085	20,328	20,277	29,093	20,058	56,857
354,167	0,255	0,475	0,962	0,203	0,073	0,457	0,621	70,902	19,863	23,702	21,380	21,089	20,340	20,289	29,111	20,066	56,702
354,500	0,253	0,477	0,957	0,195	-0,043	0,456	0,621	70,884	19,886	23,797	21,393	21,103	20,343	20,304	29,113	20,076	56,735
354,834	0,252	0,474	0,953	0,202	0,030	0,459	0,621	70,852	19,840	23,781	21,378	21,098	20,332	20,294	29,086	20,062	56,861
355,167	0,250	0,475	0,966	0,203	0,054	0,455	0,621	70,895	19,806	23,798	21,391	21,103	20,344	20,298	29,096	20,071	56,851
355,500	0,252	0,482	0,966	0,201	0,028	0,451	0,620	70,902	19,873	23,698	21,378	21,094	20,336	20,285	29,089	20,070	56,861
355,834	0,255	0,484	0,967	0,199	-0,046	0,450	0,620	70,917	19,931	23,710	21,386	21,099	20,331	20,297	29,098	20,071	56,864
356,167	0,256	0,482	0,964	0,200	0,003	0,454	0,620	70,942	19,946	23,734	21,374	21,097	20,344	20,286	29,103	20,067	56,863
356,500	0,264	0,474	0,963	0,204	0,002	0,461	0,620	70,917	19,907	23,801	21,390	21,110	20,343	20,300	29,102	20,075	56,868
356,833	0,269	0,469	0,966	0,199	0,020	0,464	0,620	70,916	19,903	23,861	21,401	21,115	20,350	20,310	29,118	20,078	56,882
357,167	0,266	0,470	0,968	0,200	0,022	0,462	0,620	70,931	19,898	23,787	21,398	21,114	20,365	20,308	29,140	20,086	57,151
357,500	0,263	0,474	0,969	0,198	0,055	0,460	0,619	70,945	19,942	23,801	21,423	21,136	20,380	20,336	29,162	20,103	57,311
357,833	0,267	0,471	0,960	0,203	-0,058	0,462	0,619	70,913	19,902	23,747	21,387	21,113	20,361	20,313	29,139	20,084	57,232
358,167	0,269	0,468	0,962	0,205	0,069	0,466	0,618	70,899	19,920	23,749	21,402	21,133	20,364	20,328	29,144	20,095	57,270
358,500	0,268	0,462	0,967	0,198	0,021	0,471	0,618	70,916	19,880	23,797	21,401	21,132	20,367	20,314	29,143	20,090	57,255
358,833	0,267	0,456	0,962	0,202	0,037	0,474	0,618	70,894	19,911	23,795	21,388	21,120	20,357	20,311	29,147	20,086	56,785

Pellematic 56_test cat I_040321.DAT

Category: I

	1103	1105	1106	130	230	101	102	1	2	3	6	7	8	11	
Mättid	T3 inlet load side	T2 inlet boiler	T1 outlet boiler	Flow load side	Flow boiler side	Heat output load side	Heat output boiler	CO chimney	CO2 chimney	O2 chimney	Pstat	Pdyn	Tunnel velocity	Våg	Tidpunkt
Minuter	°C	°C	°C	m ³ /h	m ³ /h	W	W	ppm	%	%	Pa	Pa	m/s	kg	Klockan
347,167	42,329	60,905	74,353	0,439	0,481	7498,745	7396,467	171,008	7,040	13,575	3,967	38,218	7,981	14,062	2021-03-04 14:09
347,500	42,321	60,915	74,368	0,438	0,481	7483,567	7396,551	180,118	6,870	13,741	3,948	38,324	7,992	14,063	2021-03-04 14:10
347,834	42,321	60,923	74,382	0,438	0,481	7491,548	7404,457	181,336	6,851	13,747	4,019	38,296	7,989	14,063	2021-03-04 14:10
348,167	42,316	60,928	74,404	0,438	0,481	7499,725	7411,726	169,264	6,993	13,592	4,167	38,572	8,018	14,063	2021-03-04 14:10
348,500	42,305	60,938	74,403	0,439	0,481	7403,391	7406,851	162,618	7,138	13,471	3,908	38,722	8,033	14,062	2021-03-04 14:11
348,833	42,297	60,944	74,399	0,439	0,481	7274,099	7401,283	174,712	7,023	13,586	3,956	37,993	7,957	14,063	2021-03-04 14:11
349,167	42,297	61,132	74,416	0,439	0,481	7291,973	7307,398	169,015	6,933	13,676	3,900	38,587	8,019	13,968	2021-03-04 14:11
349,500	42,295	61,246	74,415	0,439	0,481	7334,454	7241,055	152,970	6,931	13,702	3,766	38,338	7,994	13,968	2021-03-04 14:12
349,833	42,292	61,262	74,435	0,439	0,481	7377,330	7247,280	157,015	6,894	13,741	4,098	38,354	7,995	13,968	2021-03-04 14:12
350,167	42,292	61,212	74,454	0,436	0,481	7340,383	7284,508	157,768	6,742	13,878	4,073	38,606	8,021	13,968	2021-03-04 14:12
350,500	42,294	61,224	74,452	0,437	0,481	7337,049	7275,277	161,117	6,657	13,951	3,992	38,603	8,021	13,968	2021-03-04 14:13
350,833	42,305	61,244	74,463	0,437	0,482	7351,714	7274,357	152,466	6,718	13,877	3,891	38,446	8,005	13,968	2021-03-04 14:13
351,167	42,294	61,243	74,477	0,437	0,482	7344,473	7283,958	150,623	6,887	13,702	4,063	38,531	8,014	13,968	2021-03-04 14:13
351,500	42,282	61,250	74,486	0,437	0,481	7348,589	7279,873	162,874	6,897	13,684	4,062	38,691	8,030	13,843	2021-03-04 14:14
351,833	42,259	61,256	74,512	0,437	0,481	7400,285	7291,621	160,942	6,925	13,671	3,978	38,196	7,979	13,843	2021-03-04 14:14
352,167	42,257	61,266	74,512	0,438	0,481	7594,868	7286,303	165,299	6,997	13,605	4,114	38,241	7,983	13,843	2021-03-04 14:14
352,500	42,252	61,089	74,533	0,437	0,481	7518,405	7396,035	161,519	7,049	13,550	4,055	38,876	8,049	13,843	2021-03-04 14:15
352,833	42,244	60,991	74,537	0,437	0,481	7523,396	7453,215	159,219	6,972	13,620	3,942	38,386	7,999	13,843	2021-03-04 14:15
353,167	42,226	61,027	74,548	0,437	0,481	7517,827	7437,176	160,980	6,859	13,750	4,018	38,929	8,055	13,843	2021-03-04 14:15
353,500	42,213	61,035	74,548	0,437	0,481	7531,453	7434,798	166,817	6,752	13,854	3,938	38,243	7,984	13,843	2021-03-04 14:16
353,834	42,210	61,028	74,556	0,438	0,481	7376,844	7439,481	149,018	6,831	13,782	3,992	38,473	8,008	13,843	2021-03-04 14:16
354,167	42,204	61,090	74,547	0,438	0,482	7302,173	7407,431	136,905	6,883	13,725	4,066	38,475	8,008	13,750	2021-03-04 14:16
354,500	42,196	61,292	74,563	0,437	0,482	7310,400	7304,467	134,914	6,928	13,688	3,900	38,491	8,009	13,843	2021-03-04 14:17
354,834	42,179	61,362	74,585	0,437	0,482	7384,525	7275,831	132,742	6,811	13,779	4,034	37,809	7,938	13,843	2021-03-04 14:17
355,167	42,171	61,336	74,593	0,437	0,481	7384,387	7293,583	130,050	6,935	13,662	4,052	38,893	8,051	13,843	2021-03-04 14:17
355,500	42,172	61,314	74,604	0,437	0,482	7390,385	7313,955	134,842	7,078	13,543	4,029	38,628	8,024	13,750	2021-03-04 14:18
355,834	42,168	61,303	74,625	0,437	0,481	7399,992	7327,263	141,128	7,126	13,503	3,979	38,572	8,018	13,750	2021-03-04 14:18
356,167	42,163	61,307	74,622	0,437	0,481	7400,250	7323,446	144,518	7,007	13,628	3,991	38,511	8,012	13,750	2021-03-04 14:18
356,500	42,167	61,311	74,627	0,437	0,481	7400,755	7326,094	168,090	6,780	13,844	4,087	38,452	8,005	13,750	2021-03-04 14:19
356,833	42,181	61,316	74,641	0,437	0,481	7387,509	7329,031	176,055	6,698	13,916	3,974	38,531	8,014	13,750	2021-03-04 14:19
357,167	42,189	61,329	74,650	0,436	0,481	7516,641	7326,917	164,408	6,757	13,854	3,994	38,798	8,041	13,750	2021-03-04 14:19
357,500	42,198	61,287	74,666	0,437	0,481	7599,845	7356,397	161,942	6,853	13,794	3,958	38,446	8,005	13,750	2021-03-04 14:20
357,833	42,200	61,094	74,665	0,437	0,482	7564,301	7471,344	171,598	6,769	13,858	4,069	38,481	8,008	13,656	2021-03-04 14:20
358,167	42,215	61,090	74,668	0,437	0,481	7581,342	7467,396	177,060	6,645	13,977	4,105	38,557	8,016	13,656	2021-03-04 14:20
358,500	42,226	61,085	74,685	0,437	0,481	7559,248	7481,504	172,579	6,503	14,124	3,969	38,490	8,009	13,656	2021-03-04 14:21
358,833	42,244	61,094	74,681	0,437	0,482	7310,527	7479,307	169,844	6,384	14,223	4,031	38,489	8,009	13,656	2021-03-04 14:21

Pellematic 56_test cat I_040321.DAT

Category: I

	301	302	304	305	306	308	317	1311	1312	1313	1314	1315	1316	1317	1318	1101	1102
Mättid	CO chimney	CO2 chimney	Pdyn	Pstat	Static pressure chimney	O2 chimney	Våg	Flue gas temp	Ambient	Flue gas at pitot	filter temp 1	filter temp 2	gas meter temp 1	gas meter temp 2	gasmeter temp ambient		T4 outlet load side
Minuter	VDC	VDC	VDC	VDC	VDC	VDC	VDC	°C	°C	°C	°C	°C	°C	°C	°C	°C	°C
359,167	0,265	0,456	0,965	0,209	0,025	0,475	0,618	70,894	19,957	23,731	21,400	21,117	20,366	20,310	29,153	20,088	56,819
359,500	0,262	0,452	0,960	0,197	-0,038	0,478	0,619	70,885	19,974	23,694	21,394	21,117	20,348	20,309	29,133	20,084	56,834
359,833	0,259	0,451	0,952	0,202	0,044	0,479	0,618	70,910	19,955	23,777	21,400	21,105	20,347	20,304	29,125	20,080	56,841
360,167	0,256	0,450	0,961	0,204	0,041	0,480	0,618	70,882	19,992	23,762	21,407	21,130	20,371	20,328	29,123	20,096	56,855
360,500	0,258	0,447	0,964	0,203	-0,023	0,483	0,618	70,875	20,038	23,736	21,389	21,107	20,357	20,317	29,094	20,084	56,978
360,834	0,264	0,441	0,958	0,196	0,013	0,488	0,618	70,900	20,027	23,694	21,398	21,111	20,364	20,316	29,088	20,088	57,006
361,167	0,263	0,439	0,959	0,203	0,054	0,487	0,618	70,884	19,958	23,745	21,394	21,122	20,365	20,312	29,080	20,085	57,002
361,500	0,260	0,443	0,963	0,199	-0,044	0,484	0,618	70,880	19,950	23,728	21,395	21,122	20,369	20,322	29,086	20,092	57,000
361,834	0,262	0,446	0,963	0,207	0,004	0,481	0,617	70,860	19,930	23,709	21,385	21,111	20,350	20,316	29,080	20,088	57,012
362,167	0,260	0,449	0,957	0,204	0,024	0,480	0,617	70,846	19,969	23,712	21,392	21,092	20,355	20,305	29,071	20,082	57,006
362,500	0,261	0,447	0,962	0,199	0,005	0,481	0,617	70,846	20,002	23,709	21,384	21,109	20,353	20,311	29,073	20,084	57,015
362,834	0,256	0,452	0,965	0,203	0,038	0,475	0,617	70,866	19,977	23,714	21,383	21,098	20,356	20,308	29,076	20,082	57,013
363,167	0,255	0,461	0,959	0,202	0,023	0,469	0,617	70,879	19,966	23,735	21,389	21,107	20,367	20,323	29,077	20,092	57,029
363,500	0,257	0,459	0,963	0,203	-0,024	0,474	0,617	70,889	19,936	23,765	21,392	21,102	20,373	20,329	29,099	20,093	57,041
363,833	0,260	0,449	0,967	0,196	0,002	0,482	0,617	70,860	19,966	23,693	21,381	21,094	20,363	20,312	29,098	20,084	57,040
364,167	0,260	0,446	0,964	0,202	0,031	0,480	0,617	70,835	20,013	23,655	21,375	21,095	20,365	20,316	29,112	20,094	57,043
364,500	0,255	0,454	0,954	0,203	0,004	0,474	0,617	70,836	19,929	23,729	21,382	21,105	20,379	20,320	29,136	20,099	57,016
364,833	0,252	0,459	0,964	0,205	0,018	0,470	0,615	70,865	19,902	23,711	21,386	21,110	20,375	20,330	29,127	20,100	57,013
365,167	0,247	0,466	0,961	0,205	0,071	0,465	0,615	70,888	19,931	23,767	21,398	21,108	20,375	20,328	29,109	20,101	57,023
365,500	0,248	0,470	0,953	0,208	0,027	0,460	0,615	70,888	19,940	23,801	21,391	21,108	20,380	20,327	29,094	20,100	57,037
365,833	0,251	0,478	0,957	0,200	-0,020	0,455	0,615	70,863	19,910	23,810	21,400	21,097	20,369	20,315	29,076	20,092	57,012
366,167	0,251	0,480	0,963	0,197	0,041	0,452	0,616	70,856	19,932	23,786	21,396	21,098	20,370	20,312	29,075	20,090	56,974
366,500	0,249	0,484	0,968	0,207	0,025	0,449	0,615	70,884	19,937	23,816	21,391	21,100	20,376	20,321	29,072	20,093	56,972
366,834	0,251	0,481	0,956	0,203	-0,003	0,454	0,615	70,953	19,924	23,847	21,389	21,106	20,367	20,323	29,068	20,098	56,980
367,167	0,252	0,477	0,962	0,194	-0,002	0,455	0,615	70,951	19,873	23,820	21,389	21,109	20,373	20,328	29,065	20,092	56,968
367,500	0,249	0,482	0,956	0,202	0,002	0,449	0,615	70,962	19,927	23,815	21,399	21,107	20,363	20,328	29,071	20,096	56,934
367,834	0,250	0,486	0,954	0,204	0,092	0,449	0,614	70,997	19,933	23,798	21,414	21,117	20,382	20,334	29,085	20,099	56,932
368,167	0,251	0,482	0,962	0,199	0,030	0,452	0,614	70,963	19,901	23,796	21,398	21,106	20,380	20,327	29,096	20,099	56,918
368,500	0,251	0,478	0,960	0,199	-0,003	0,455	0,614	70,965	19,926	23,791	21,410	21,108	20,377	20,333	29,097	20,098	57,153
368,833	0,251	0,479	0,958	0,196	0,017	0,453	0,614	70,989	19,970	23,768	21,394	21,106	20,387	20,341	29,098	20,105	57,280
369,167	0,252	0,481	0,968	0,194	0,054	0,452	0,614	70,952	19,980	23,789	21,411	21,121	20,389	20,347	29,102	20,109	57,242
369,500	0,252	0,482	0,971	0,205	0,005	0,451	0,614	70,914	19,932	23,797	21,403	21,118	20,384	20,336	29,113	20,102	57,222
369,833	0,250	0,481	0,960	0,200	0,042	0,452	0,613	70,927	19,976	23,767	21,399	21,116	20,386	20,324	29,140	20,103	57,216
370,167	0,248	0,483	0,972	0,194	0,001	0,449	0,614	70,938	20,016	23,781	21,391	21,110	20,390	20,336	29,162	20,105	57,164
370,500	0,246	0,487	0,958	0,203	0,054	0,447	0,614	70,947	19,995	23,775	21,386	21,108	20,387	20,336	29,163	20,101	57,151
370,833	0,245	0,485	0,953	0,195	0,027	0,450	0,612	70,941	19,888	23,775	21,384	21,117	20,377	20,333	29,181	20,103	57,123

Pellematic 56_test cat I_040321.DAT

Category: I

	1103	1105	1106	130	230	101	102	1	2	3	6	7	8	11	
Mättid	T3 inlet load side	T2 inlet boiler	T1 outlet boiler	Flow load side	Flow boiler side	Heat output load side	Heat output boiler	CO chimney	CO2 chimney	O2 chimney	Pstat	Pdyn	Tunnel velocity	Våg	Tidpunkt
Minuter	°C	°C	°C	m ³ /h	m ³ /h	W	W	ppm	%	%	Pa	Pa	m/s	kg	Klockan
359,167	42,250	61,216	74,681	0,435	0,482	7302,848	7410,788	163,971	6,381	14,238	4,185	38,379	7,998	13,656	2021-03-04 14:21
359,500	42,246	61,423	74,681	0,436	0,481	7326,771	7294,400	156,917	6,279	14,337	3,932	37,991	7,957	13,750	2021-03-04 14:22
359,833	42,256	61,486	74,688	0,436	0,482	7322,758	7269,215	147,007	6,280	14,360	4,048	38,069	7,965	13,656	2021-03-04 14:22
360,167	42,266	61,506	74,693	0,437	0,482	7331,461	7256,318	142,145	6,247	14,386	4,070	38,576	8,018	13,562	2021-03-04 14:22
360,500	42,269	61,523	74,712	0,436	0,482	7380,293	7259,540	152,587	6,133	14,503	4,052	38,529	8,013	13,656	2021-03-04 14:23
360,834	42,277	61,488	74,712	0,437	0,482	7407,284	7277,571	165,460	5,981	14,642	3,920	38,244	7,984	13,656	2021-03-04 14:23
361,167	42,273	61,447	74,713	0,436	0,482	7388,574	7300,765	156,906	6,012	14,607	4,060	38,627	8,024	13,562	2021-03-04 14:23
361,500	42,287	61,455	74,695	0,436	0,482	7381,546	7286,730	155,305	6,103	14,523	3,987	38,680	8,029	13,646	2021-03-04 14:24
361,834	42,301	61,450	74,697	0,437	0,482	7394,937	7290,553	156,317	6,201	14,419	4,142	38,517	8,012	13,562	2021-03-04 14:24
362,167	42,307	61,450	74,693	0,435	0,482	7368,006	7290,480	151,367	6,225	14,398	4,084	38,028	7,961	13,562	2021-03-04 14:24
362,500	42,315	61,456	74,684	0,436	0,482	7377,256	7278,973	157,197	6,153	14,430	3,979	38,388	7,999	13,562	2021-03-04 14:25
362,834	42,319	61,453	74,689	0,436	0,481	7376,339	7282,125	140,540	6,344	14,247	4,061	38,530	8,014	13,562	2021-03-04 14:25
363,167	42,330	61,457	74,672	0,436	0,481	7370,073	7270,964	142,635	6,553	14,084	4,032	38,225	7,982	13,562	2021-03-04 14:25
363,500	42,349	61,463	74,676	0,436	0,482	7376,692	7275,054	144,490	6,430	14,222	4,060	38,430	8,003	13,562	2021-03-04 14:26
363,833	42,361	61,470	74,670	0,436	0,482	7371,341	7265,148	157,255	6,164	14,460	3,927	38,896	8,051	13,562	2021-03-04 14:26
364,167	42,340	61,461	74,671	0,437	0,482	7393,147	7269,876	148,522	6,180	14,414	4,050	38,681	8,029	13,562	2021-03-04 14:26
364,500	42,295	61,467	74,647	0,435	0,482	7373,747	7253,614	138,775	6,408	14,212	4,051	38,058	7,964	13,562	2021-03-04 14:27
364,833	42,283	61,463	74,657	0,436	0,482	7398,344	7261,428	129,155	6,514	14,093	4,109	38,695	8,031	13,468	2021-03-04 14:27
365,167	42,305	61,458	74,656	0,436	0,482	7379,553	7265,531	118,796	6,692	13,943	4,101	38,569	8,018	13,468	2021-03-04 14:27
365,500	42,313	61,459	74,637	0,436	0,482	7390,389	7252,015	122,914	6,796	13,798	4,153	38,374	7,997	13,468	2021-03-04 14:28
365,833	42,267	61,438	74,639	0,436	0,482	7403,284	7266,808	135,839	6,961	13,639	3,998	38,512	8,012	13,468	2021-03-04 14:28
366,167	42,248	61,440	74,626	0,436	0,482	7396,985	7260,443	128,117	7,026	13,556	3,941	38,659	8,027	13,562	2021-03-04 14:28
366,500	42,226	61,443	74,641	0,436	0,482	7402,683	7265,063	127,714	7,119	13,482	4,140	38,692	8,030	13,468	2021-03-04 14:29
366,834	42,210	61,430	74,647	0,435	0,481	7404,389	7270,748	130,892	6,968	13,618	4,058	38,255	7,985	13,346	2021-03-04 14:29
367,167	42,158	61,425	74,632	0,436	0,482	7435,630	7267,528	132,271	6,928	13,652	3,889	38,419	8,002	13,468	2021-03-04 14:29
367,500	42,136	61,408	74,662	0,436	0,481	7431,110	7292,142	124,517	7,129	13,475	4,030	38,454	8,006	13,468	2021-03-04 14:30
367,834	42,134	61,403	74,654	0,436	0,482	7425,187	7293,014	128,206	7,136	13,470	4,082	38,041	7,963	13,345	2021-03-04 14:30
368,167	42,139	61,387	74,652	0,436	0,482	7421,907	7302,719	132,317	7,016	13,575	3,974	38,395	7,999	13,346	2021-03-04 14:30
368,500	42,103	61,395	74,677	0,437	0,482	7580,027	7309,561	131,982	6,939	13,640	3,972	38,261	7,985	13,345	2021-03-04 14:31
368,833	42,049	61,328	74,666	0,437	0,482	7655,832	7341,080	131,968	6,984	13,603	3,913	38,290	7,989	13,345	2021-03-04 14:31
369,167	42,027	61,120	74,664	0,437	0,481	7661,497	7451,136	133,237	7,038	13,564	3,885	38,909	8,053	13,346	2021-03-04 14:31
369,500	42,023	61,087	74,662	0,438	0,482	7655,864	7471,619	131,808	7,045	13,544	4,100	38,789	8,040	13,346	2021-03-04 14:32
369,833	42,003	61,061	74,677	0,437	0,481	7657,459	7492,838	127,119	7,010	13,569	4,009	38,311	7,991	13,252	2021-03-04 14:32
370,167	41,963	61,058	74,682	0,436	0,482	7636,578	7499,263	123,417	7,093	13,483	3,872	38,785	8,040	13,345	2021-03-04 14:32
370,500	41,945	61,042	74,682	0,437	0,482	7654,786	7506,457	115,246	7,195	13,399	4,050	37,946	7,953	13,345	2021-03-04 14:33
370,833	41,940	61,041	74,687	0,438	0,481	7658,355	7506,280	116,123	7,100	13,499	3,908	38,141	7,973	13,252	2021-03-04 14:33

Pellematic 56_test cat I_040321.DAT

Category: I

	301	302	304	305	306	308	317	1311	1312	1313	1314	1315	1316	1317	1318	1101	1102
Mättid	CO chimney	CO2 chimney	Pdyn	Pstat	Static pressure chimney	O2 chimney	Våg	Flue gas temp	Ambient	Flue gas at pitot	filter temp 1	filter temp 2	gas meter temp 1	gas meter temp 2	gasmeter temp ambient		T4 outlet load side
Minuter	VDC	VDC	VDC	VDC	VDC	VDC	VDC	°C	°C	°C	°C	°C	°C	°C	°C	°C	°C
371,167	0,250	0,479	0,960	0,200	-0,003	0,454	0,613	70,960	19,960	23,768	21,399	21,110	20,395	20,354	29,192	20,111	57,127
371,500	0,252	0,480	0,955	0,201	0,080	0,452	0,612	70,952	19,971	23,758	21,403	21,118	20,394	20,347	29,178	20,113	56,888
371,833	0,253	0,483	0,962	0,205	-0,045	0,450	0,612	70,937	19,983	23,823	21,415	21,127	20,402	20,354	29,171	20,120	56,630
372,167	0,251	0,486	0,969	0,203	0,092	0,449	0,612	70,974	20,035	23,796	21,405	21,114	20,395	20,350	29,152	20,115	56,644
372,500	0,248	0,485	0,960	0,202	-0,033	0,448	0,612	71,003	20,052	23,742	21,397	21,120	20,414	20,346	29,170	20,115	56,787
372,834	0,247	0,491	0,962	0,200	0,086	0,444	0,613	71,005	20,060	23,795	21,403	21,128	20,404	20,358	29,193	20,120	56,790
373,167	0,247	0,492	0,953	0,206	0,004	0,444	0,611	71,014	20,043	23,803	21,416	21,132	20,409	20,366	29,193	20,119	56,806
373,500	0,251	0,492	0,965	0,207	0,006	0,445	0,611	71,058	20,052	23,757	21,403	21,120	20,405	20,358	29,192	20,118	56,830
373,834	0,255	0,486	0,963	0,200	0,003	0,450	0,611	71,042	19,983	23,720	21,397	21,109	20,404	20,350	29,189	20,113	57,303
374,167	0,259	0,479	0,968	0,204	0,044	0,455	0,611	70,988	19,948	23,714	21,394	21,116	20,407	20,361	29,189	20,119	57,226
374,500	0,261	0,477	0,965	0,197	0,044	0,456	0,611	71,017	19,964	23,735	21,400	21,111	20,413	20,356	29,181	20,118	57,178
374,834	0,259	0,478	0,957	0,203	0,026	0,456	0,611	71,028	19,953	23,760	21,389	21,096	20,398	20,355	29,181	20,111	57,198
375,167	0,260	0,477	0,959	0,203	-0,037	0,456	0,611	71,019	19,950	23,793	21,400	21,113	20,405	20,353	29,178	20,117	57,224
375,500	0,260	0,476	0,971	0,203	0,049	0,458	0,611	71,024	19,988	23,757	21,404	21,112	20,402	20,364	29,178	20,122	57,222
375,833	0,257	0,473	0,967	0,199	0,040	0,459	0,611	71,024	20,028	23,724	21,389	21,106	20,405	20,353	29,152	20,118	57,217
376,167	0,255	0,474	0,968	0,202	0,025	0,457	0,610	71,018	20,056	23,741	21,393	21,110	20,408	20,357	29,172	20,122	57,221
376,500	0,258	0,476	0,965	0,198	0,028	0,455	0,611	71,035	20,029	23,711	21,380	21,103	20,398	20,349	29,177	20,111	56,706
376,833	0,258	0,479	0,949	0,203	0,023	0,455	0,609	71,055	19,977	23,774	21,375	21,097	20,410	20,349	29,178	20,113	56,738
377,167	0,258	0,478	0,960	0,202	0,041	0,454	0,609	71,059	19,984	23,750	21,387	21,104	20,405	20,352	29,183	20,117	56,779
377,500	0,253	0,480	0,960	0,201	0,025	0,451	0,609	71,027	20,026	23,704	21,385	21,102	20,404	20,360	29,194	20,121	56,857
377,833	0,247	0,489	0,962	0,202	-0,026	0,442	0,610	71,045	19,983	23,689	21,396	21,105	20,408	20,356	29,183	20,122	56,854
378,167	0,246	0,498	0,970	0,202	0,055	0,440	0,609	71,065	19,912	23,698	21,382	21,095	20,407	20,357	29,178	20,127	56,865
378,500	0,249	0,492	0,964	0,198	-0,004	0,444	0,608	71,065	19,937	23,753	21,376	21,107	20,420	20,352	29,164	20,123	56,863
378,833	0,250	0,491	0,966	0,203	0,035	0,444	0,608	71,065	19,870	23,719	21,393	21,122	20,409	20,375	29,160	20,129	56,854
379,167	0,249	0,493	0,968	0,203	0,029	0,442	0,608	71,066	19,915	23,694	21,390	21,104	20,422	20,367	29,146	20,133	57,326
379,500	0,248	0,494	0,963	0,198	0,045	0,442	0,608	71,065	19,924	23,732	21,396	21,113	20,420	20,370	29,146	20,129	57,291
379,833	0,250	0,491	0,964	0,199	-0,039	0,445	0,608	71,077	19,844	23,784	21,381	21,107	20,418	20,354	29,116	20,122	57,234
380,167	0,251	0,487	0,968	0,201	0,061	0,449	0,608	71,056	19,881	23,772	21,376	21,091	20,416	20,375	29,119	20,121	57,234
380,500	0,249	0,484	0,964	0,196	0,041	0,451	0,608	71,027	19,923	23,724	21,368	21,100	20,415	20,348	29,114	20,121	57,229
380,834	0,250	0,481	0,962	0,203	0,027	0,454	0,608	71,061	19,840	23,756	21,382	21,104	20,417	20,361	29,119	20,121	57,226
381,167	0,249	0,479	0,960	0,193	-0,026	0,455	0,607	71,082	19,867	23,801	21,384	21,112	20,416	20,354	29,124	20,123	56,984
381,500	0,247	0,479	0,963	0,198	0,027	0,454	0,608	71,066	19,904	23,763	21,375	21,095	20,405	20,361	29,140	20,121	56,749
381,834	0,248	0,479	0,960	0,202	0,029	0,454	0,607	71,049	19,772	23,770	21,385	21,105	20,412	20,363	29,158	20,120	56,779
382,167	0,250	0,479	0,952	0,202	-0,036	0,455	0,606	71,070	19,820	23,773	21,380	21,116	20,408	20,356	29,143	20,121	56,801
382,500	0,250	0,477	0,952	0,201	0,067	0,458	0,606	71,059	19,858	23,806	21,397	21,122	20,417	20,374	29,148	20,129	56,953
382,834	0,255	0,472	0,958	0,196	-0,021	0,461	0,606	71,032	19,893	23,841	21,393	21,111	20,421	20,359	29,148	20,126	56,918

Pellematic 56_test cat I_040321.DAT

Category: I

	1103	1105	1106	130	230	101	102	1	2	3	6	7	8	11	
Mättid	T3 inlet load side	T2 inlet boiler	T1 outlet boiler	Flow load side	Flow boiler side	Heat output load side	Heat output boiler	CO chimney	CO2 chimney	O2 chimney	Pstat	Pdyn	Tunnel velocity	Våg	Tidpunkt
Minuter	°C	°C	°C	m³/h	m³/h	W	W	ppm	%	%	Pa	Pa	m/s	kg	Klockan
371,167	41,939	61,026	74,689	0,439	0,481	7668,681	7517,415	134,564	6,957	13,626	3,994	38,452	8,005	13,339	2021-03-04 14:33
371,500	41,925	61,009	74,697	0,438	0,481	7549,162	7532,022	131,359	7,042	13,562	4,024	38,176	7,977	13,252	2021-03-04 14:34
371,833	41,911	61,008	74,693	0,439	0,481	7433,944	7530,779	134,748	7,093	13,509	4,105	38,690	8,030	13,252	2021-03-04 14:34
372,167	41,915	61,205	74,693	0,439	0,482	7440,767	7423,310	128,962	7,165	13,458	4,059	39,003	8,063	13,252	2021-03-04 14:34
372,500	41,900	61,313	74,716	0,439	0,481	7516,853	7372,136	121,490	7,147	13,452	4,038	38,095	7,968	13,252	2021-03-04 14:35
372,834	41,901	61,314	74,727	0,440	0,482	7534,180	7381,231	119,472	7,302	13,320	4,010	38,639	8,025	13,252	2021-03-04 14:35
373,167	41,923	61,246	74,729	0,439	0,481	7521,850	7417,485	121,486	7,301	13,310	4,124	38,136	7,973	13,158	2021-03-04 14:35
373,500	41,925	61,235	74,736	0,440	0,482	7548,163	7429,075	131,890	7,276	13,345	4,143	38,745	8,036	13,158	2021-03-04 14:36
373,834	41,913	61,247	74,721	0,440	0,482	7787,668	7416,020	144,369	7,104	13,502	3,996	38,431	8,003	13,158	2021-03-04 14:36
374,167	41,900	61,092	74,738	0,439	0,481	7753,406	7506,345	154,231	6,936	13,661	4,074	38,865	8,048	13,159	2021-03-04 14:36
374,500	41,923	60,961	74,747	0,440	0,482	7727,684	7587,172	153,307	6,930	13,666	3,939	38,432	8,003	13,158	2021-03-04 14:37
374,834	41,950	60,965	74,756	0,440	0,481	7718,264	7588,571	151,942	6,928	13,683	4,065	38,338	7,994	13,158	2021-03-04 14:37
375,167	41,937	60,972	74,751	0,439	0,482	7732,927	7586,801	151,005	6,946	13,673	4,060	38,318	7,991	13,158	2021-03-04 14:37
375,500	41,936	61,000	74,741	0,440	0,481	7747,465	7557,356	154,142	6,865	13,748	4,066	38,923	8,054	13,158	2021-03-04 14:38
375,833	41,949	60,995	74,764	0,440	0,481	7729,745	7576,927	142,052	6,834	13,756	3,983	38,805	8,042	13,158	2021-03-04 14:38
376,167	41,983	60,987	74,767	0,439	0,481	7707,539	7581,643	141,049	6,866	13,722	4,037	38,628	8,024	13,065	2021-03-04 14:38
376,500	41,997	60,992	74,752	0,440	0,481	7454,097	7570,112	150,366	6,930	13,662	3,954	38,587	8,019	13,158	2021-03-04 14:39
376,833	42,000	61,133	74,761	0,441	0,482	7485,344	7502,649	146,344	6,978	13,636	4,050	38,147	7,974	13,065	2021-03-04 14:39
377,167	41,966	61,295	74,757	0,441	0,481	7518,959	7406,093	149,349	6,972	13,626	4,035	38,557	8,016	13,065	2021-03-04 14:39
377,500	41,962	61,334	74,766	0,441	0,482	7562,704	7393,697	128,966	7,046	13,517	4,029	38,365	7,996	13,065	2021-03-04 14:40
377,833	41,985	61,300	74,760	0,441	0,482	7547,409	7408,717	120,078	7,288	13,274	4,047	38,350	7,995	13,158	2021-03-04 14:40
378,167	42,003	61,269	74,777	0,441	0,482	7539,611	7435,127	120,861	7,429	13,195	4,045	38,825	8,044	13,065	2021-03-04 14:40
378,500	41,988	61,267	74,800	0,440	0,482	7542,479	7450,355	127,703	7,267	13,334	3,970	38,486	8,009	12,970	2021-03-04 14:41
378,833	41,983	61,276	74,811	0,442	0,481	7559,276	7447,131	127,707	7,267	13,324	4,051	38,748	8,036	13,065	2021-03-04 14:41
379,167	42,005	61,269	74,808	0,442	0,481	7794,625	7447,796	125,968	7,316	13,272	4,063	38,645	8,025	12,971	2021-03-04 14:41
379,500	42,028	61,167	74,816	0,441	0,481	7757,319	7506,034	123,674	7,348	13,263	3,969	38,412	8,001	12,971	2021-03-04 14:42
379,833	42,028	60,980	74,824	0,441	0,481	7728,830	7616,133	129,289	7,255	13,361	3,974	38,464	8,007	12,970	2021-03-04 14:42
380,167	42,010	60,988	74,813	0,442	0,481	7740,961	7605,061	128,284	7,156	13,456	4,015	38,600	8,021	12,971	2021-03-04 14:42
380,500	42,001	61,008	74,817	0,441	0,482	7738,122	7604,704	125,394	7,070	13,528	3,920	38,289	7,988	12,971	2021-03-04 14:43
380,834	42,036	61,018	74,828	0,442	0,481	7730,565	7593,726	129,383	6,999	13,613	4,054	38,309	7,991	12,971	2021-03-04 14:43
381,167	42,048	61,002	74,848	0,442	0,481	7602,303	7615,904	124,256	6,974	13,640	3,864	38,498	8,010	12,971	2021-03-04 14:43
381,500	42,028	61,051	74,839	0,442	0,482	7489,826	7589,619	118,302	6,987	13,630	3,951	38,770	8,038	12,970	2021-03-04 14:44
381,834	42,025	61,277	74,829	0,443	0,482	7524,201	7458,962	124,602	6,979	13,632	4,048	38,103	7,969	12,970	2021-03-04 14:44
382,167	42,044	61,348	74,841	0,444	0,481	7537,187	7422,775	129,807	6,981	13,641	4,031	37,939	7,952	12,846	2021-03-04 14:44
382,500	42,060	61,354	74,857	0,444	0,482	7608,224	7431,741	130,721	6,896	13,737	4,018	37,996	7,958	12,846	2021-03-04 14:45
382,834	42,038	61,324	74,866	0,443	0,481	7589,912	7449,918	140,708	6,788	13,835	3,911	38,321	7,992	12,846	2021-03-04 14:45

Pellematic 56_test cat I_040321.DAT

Category: I

	301	302	304	305	306	308	317	1311	1312	1313	1314	1315	1316	1317	1318	1101	1102
Mättid	CO chimney	CO2 chimney	Pdyn	Pstat	Static pressure chimney	O2 chimney	Våg	Flue gas temp	Ambient	Flue gas at pitot	filter temp 1	filter temp 2	gas meter temp 1	gas meter temp 2	gasmeter temp ambient		T4 outlet load side
Minuter	VDC	VDC	VDC	VDC	VDC	VDC	VDC	°C	°C	°C	°C	°C	°C	°C	°C	°C	°C
383,167	0,258	0,471	0,963	0,202	0,051	0,461	0,606	71,021	19,962	23,778	21,388	21,115	20,416	20,356	29,167	20,126	56,964
383,500	0,260	0,471	0,965	0,195	-0,004	0,462	0,606	71,060	19,946	23,790	21,401	21,127	20,414	20,376	29,177	20,130	56,977
383,833	0,263	0,468	0,967	0,203	0,052	0,464	0,605	71,091	19,935	23,784	21,396	21,115	20,427	20,363	29,167	20,129	57,002
384,167	0,264	0,470	0,973	0,205	-0,004	0,462	0,606	71,035	19,942	23,739	21,388	21,106	20,424	20,365	29,179	20,131	57,000
384,500	0,268	0,469	0,966	0,198	0,069	0,464	0,605	71,036	19,924	23,689	21,382	21,108	20,424	20,375	29,180	20,128	56,994
384,833	0,265	0,467	0,959	0,201	-0,010	0,464	0,606	71,049	19,980	23,800	21,397	21,116	20,430	20,379	29,212	20,141	56,990
385,167	0,261	0,473	0,957	0,199	0,067	0,458	0,605	71,088	19,947	23,779	21,402	21,120	20,429	20,378	29,217	20,139	57,027
385,500	0,256	0,476	0,972	0,200	-0,016	0,458	0,604	71,088	19,942	23,769	21,393	21,125	20,434	20,377	29,214	20,139	57,033
385,833	0,256	0,473	0,972	0,196	0,038	0,461	0,604	71,109	19,939	23,825	21,403	21,120	20,433	20,375	29,205	20,139	57,057
386,167	0,256	0,468	0,971	0,202	0,013	0,465	0,604	71,110	19,987	23,760	21,391	21,117	20,426	20,379	29,194	20,135	57,109
386,500	0,252	0,467	0,969	0,200	0,004	0,464	0,604	71,122	20,013	23,790	21,389	21,126	20,443	20,383	29,190	20,138	57,084
386,833	0,247	0,474	0,967	0,192	0,031	0,456	0,605	71,117	19,961	23,796	21,384	21,110	20,434	20,372	29,192	20,135	57,083
387,167	0,246	0,482	0,969	0,209	0,029	0,452	0,604	71,162	19,957	23,781	21,394	21,116	20,440	20,379	29,209	20,145	57,056
387,500	0,248	0,480	0,964	0,199	-0,024	0,454	0,603	71,144	19,985	23,724	21,381	21,094	20,440	20,377	29,225	20,141	57,068
387,834	0,246	0,481	0,963	0,203	0,016	0,452	0,604	71,144	19,927	23,789	21,400	21,117	20,447	20,380	29,229	20,145	57,071
388,167	0,247	0,482	0,965	0,197	0,065	0,453	0,603	71,146	19,920	23,799	21,395	21,114	20,437	20,375	29,223	20,141	57,099
388,500	0,251	0,478	0,956	0,205	0,006	0,456	0,603	71,114	19,937	23,768	21,384	21,107	20,437	20,369	29,217	20,140	57,051
388,834	0,255	0,479	0,965	0,201	0,022	0,455	0,603	71,114	19,941	23,741	21,390	21,108	20,437	20,379	29,211	20,137	57,047
389,167	0,260	0,479	0,963	0,197	0,027	0,454	0,603	71,103	19,937	23,790	21,384	21,108	20,431	20,377	29,214	20,135	57,080
389,500	0,258	0,482	0,966	0,205	-0,018	0,452	0,603	71,101	19,927	23,774	21,391	21,112	20,432	20,381	29,204	20,138	57,091
389,834	0,256	0,482	0,956	0,200	0,019	0,452	0,602	71,123	19,891	23,736	21,394	21,107	20,444	20,385	29,210	20,141	57,085
390,167	0,259	0,480	0,959	0,203	0,046	0,454	0,603	71,145	19,842	23,703	21,395	21,113	20,438	20,380	29,195	20,141	57,097
390,500	0,259	0,478	0,968	0,201	0,026	0,455	0,603	71,141	19,854	23,694	21,392	21,106	20,445	20,387	29,220	20,147	57,097
390,834	0,255	0,480	0,962	0,202	-0,040	0,454	0,602	71,149	19,900	23,735	21,395	21,121	20,453	20,395	29,237	20,156	57,091
391,167	0,257	0,475	0,962	0,201	0,093	0,457	0,602	71,144	19,910	23,763	21,384	21,112	20,451	20,371	29,230	20,141	57,004
391,500	0,258	0,474	0,961	0,203	-0,022	0,459	0,601	71,147	19,930	23,749	21,394	21,107	20,455	20,380	29,249	20,150	57,002
391,833	0,261	0,471	0,970	0,203	0,060	0,461	0,603	71,120	19,873	23,696	21,381	21,106	20,447	20,381	29,235	20,143	57,006
392,167	0,260	0,472	0,974	0,203	-0,006	0,460	0,601	71,088	19,883	23,691	21,387	21,109	20,454	20,395	29,251	20,153	57,004
392,500	0,257	0,473	0,973	0,202	0,004	0,459	0,601	71,115	19,950	23,661	21,374	21,108	20,446	20,397	29,245	20,152	57,020
392,833	0,256	0,472	0,970	0,194	0,047	0,460	0,601	71,116	20,030	23,710	21,368	21,109	20,440	20,374	29,251	20,146	57,027
393,167	0,259	0,471	0,971	0,197	-0,002	0,461	0,601	71,123	19,981	23,809	21,394	21,113	20,436	20,389	29,255	20,147	57,044
393,500	0,261	0,474	0,970	0,200	0,040	0,457	0,601	71,140	19,945	23,742	21,388	21,114	20,442	20,383	29,242	20,146	57,029
393,833	0,263	0,479	0,970	0,201	0,025	0,453	0,601	71,135	19,948	23,780	21,392	21,115	20,446	20,396	29,239	20,150	57,033
394,167	0,265	0,480	0,975	0,199	-0,024	0,454	0,600	71,159	19,858	23,837	21,394	21,111	20,450	20,389	29,238	20,152	57,025
394,500	0,266	0,477	0,969	0,201	0,042	0,457	0,600	71,145	19,914	23,842	21,396	21,107	20,446	20,391	29,236	20,152	57,025
394,833	0,269	0,474	0,972	0,205	0,038	0,458	0,600	71,150	19,920	23,877	21,408	21,122	20,447	20,392	29,218	20,154	57,021

Pellematic 56_test cat I_040321.DAT

Category: I

	1103	1105	1106	130	230	101	102	1	2	3	6	7	8	11	
Mättid	T3 inlet load side	T2 inlet boiler	T1 outlet boiler	Flow load side	Flow boiler side	Heat output load side	Heat output boiler	CO chimney	CO2 chimney	O2 chimney	Pstat	Pdyn	Tunnel velocity	Våg	Tidpunkt
Minuter	°C	°C	°C	m ³ /h	m ³ /h	W	W	ppm	%	%	Pa	Pa	m/s	kg	Klockan
383,167	42,060	61,301	74,889	0,443	0,482	7595,423	7477,524	146,666	6,792	13,830	4,049	38,707	8,032	12,846	2021-03-04 14:45
383,500	42,100	61,292	74,881	0,444	0,482	7600,439	7482,748	156,288	6,772	13,862	3,901	38,470	8,007	12,846	2021-03-04 14:46
383,833	42,115	61,291	74,874	0,444	0,482	7609,850	7476,000	161,356	6,697	13,906	4,067	38,686	8,030	12,846	2021-03-04 14:46
384,167	42,082	61,288	74,860	0,445	0,482	7637,055	7471,120	165,802	6,765	13,851	4,101	39,039	8,066	12,846	2021-03-04 14:46
384,500	42,077	61,288	74,887	0,444	0,481	7621,751	7481,520	171,260	6,704	13,919	3,952	38,664	8,027	12,846	2021-03-04 14:47
384,833	42,096	61,291	74,877	0,444	0,481	7616,927	7474,086	161,993	6,695	13,911	4,025	38,456	8,006	12,846	2021-03-04 14:47
385,167	42,125	61,285	74,881	0,444	0,481	7614,978	7477,347	152,285	6,877	13,742	3,990	38,341	7,994	12,845	2021-03-04 14:47
385,500	42,131	61,291	74,873	0,443	0,482	7602,999	7475,134	139,360	6,898	13,731	4,005	38,832	8,045	12,752	2021-03-04 14:48
385,833	42,119	61,290	74,893	0,444	0,481	7634,719	7484,723	142,850	6,795	13,829	3,912	38,956	8,058	12,752	2021-03-04 14:48
386,167	42,149	61,295	74,876	0,445	0,481	7656,955	7471,598	141,621	6,663	13,943	4,033	38,653	8,026	12,752	2021-03-04 14:48
386,500	42,187	61,293	74,868	0,445	0,481	7627,976	7468,131	129,459	6,691	13,908	3,992	38,843	8,046	12,752	2021-03-04 14:49
386,833	42,192	61,300	74,889	0,444	0,482	7612,528	7482,858	116,729	6,932	13,678	3,839	38,449	8,005	12,752	2021-03-04 14:49
387,167	42,165	61,314	74,879	0,444	0,482	7609,923	7464,125	119,830	7,071	13,555	4,178	38,953	8,057	12,752	2021-03-04 14:49
387,500	42,195	61,328	74,885	0,444	0,482	7602,937	7461,982	122,245	6,983	13,612	3,983	38,495	8,010	12,663	2021-03-04 14:50
387,834	42,221	61,323	74,884	0,445	0,482	7600,850	7465,996	116,957	7,035	13,559	4,065	38,323	7,992	12,752	2021-03-04 14:50
388,167	42,223	61,326	74,898	0,444	0,481	7608,362	7466,774	122,700	7,044	13,580	3,944	38,668	8,028	12,658	2021-03-04 14:50
388,500	42,205	61,334	74,891	0,445	0,481	7602,591	7456,774	131,725	6,941	13,677	4,092	38,315	7,991	12,658	2021-03-04 14:51
388,834	42,226	61,338	74,887	0,445	0,481	7585,913	7452,688	144,640	7,005	13,644	4,018	38,628	8,024	12,753	2021-03-04 14:51
389,167	42,252	61,332	74,897	0,445	0,482	7588,159	7464,144	154,979	6,988	13,616	3,934	38,518	8,012	12,658	2021-03-04 14:51
389,500	42,242	61,340	74,901	0,445	0,482	7598,790	7461,550	146,236	7,054	13,565	4,102	38,681	8,029	12,658	2021-03-04 14:52
389,834	42,197	61,353	74,912	0,446	0,481	7636,848	7460,219	143,980	7,061	13,559	4,002	38,079	7,967	12,597	2021-03-04 14:52
390,167	42,190	61,350	74,919	0,446	0,481	7647,729	7463,854	153,972	6,994	13,610	4,067	38,524	8,013	12,658	2021-03-04 14:52
390,500	42,202	61,332	74,931	0,446	0,482	7652,912	7487,014	145,785	6,945	13,637	4,017	38,758	8,037	12,658	2021-03-04 14:53
390,834	42,208	61,324	74,918	0,446	0,482	7636,581	7481,000	143,719	7,022	13,617	4,039	38,377	7,998	12,658	2021-03-04 14:53
391,167	42,196	61,326	74,922	0,445	0,481	7589,222	7480,668	140,455	6,881	13,719	4,013	38,589	8,020	12,565	2021-03-04 14:53
391,500	42,200	61,331	74,917	0,445	0,482	7584,669	7479,087	150,057	6,834	13,761	4,063	38,440	8,004	12,565	2021-03-04 14:54
391,833	42,203	61,336	74,946	0,445	0,481	7586,263	7487,746	155,069	6,729	13,839	4,064	38,773	8,039	12,658	2021-03-04 14:54
392,167	42,203	61,334	74,931	0,446	0,481	7592,245	7480,439	150,801	6,812	13,792	4,055	38,962	8,058	12,565	2021-03-04 14:54
392,500	42,200	61,342	74,914	0,445	0,482	7589,598	7468,359	142,262	6,831	13,763	4,033	38,958	8,058	12,564	2021-03-04 14:55
392,833	42,206	61,346	74,927	0,445	0,482	7597,317	7477,456	144,744	6,785	13,800	3,877	38,762	8,038	12,565	2021-03-04 14:55
393,167	42,206	61,349	74,957	0,446	0,482	7616,158	7488,469	152,371	6,760	13,819	3,939	38,933	8,055	12,565	2021-03-04 14:55
393,500	42,200	61,340	74,936	0,445	0,481	7596,008	7479,329	158,341	6,873	13,707	3,991	38,815	8,043	12,565	2021-03-04 14:56
393,833	42,194	61,336	74,960	0,446	0,481	7617,632	7495,079	160,438	7,005	13,601	4,026	39,116	8,074	12,565	2021-03-04 14:56
394,167	42,185	61,350	74,977	0,445	0,482	7596,708	7503,276	164,888	6,994	13,621	3,976	39,021	8,064	12,470	2021-03-04 14:56
394,500	42,174	61,350	74,958	0,446	0,482	7617,524	7488,085	170,262	6,906	13,703	4,019	38,872	8,049	12,474	2021-03-04 14:57
394,833	42,170	61,344	74,949	0,447	0,482	7636,140	7488,063	178,647	6,845	13,751	4,104	38,764	8,038	12,470	2021-03-04 14:57

Pellematic 56_test cat I_040321.DAT

Category: I

	301	302	304	305	306	308	317	1311	1312	1313	1314	1315	1316	1317	1318	1101	1102
Mättid	CO chimney	CO2 chimney	Pdyn	Pstat	Static pressure chimney	O2 chimney	Våg	Flue gas temp	Ambient	Flue gas at pitot	filter temp 1	filter temp 2	gas meter temp 1	gas meter temp 2	gasmeter temp ambient		T4 outlet load side
Minuter	VDC	VDC	VDC	VDC	VDC	VDC	VDC	°C	°C	°C	°C	°C	°C	°C	°C	°C	°C
395,167	0,271	0,476	0,969	0,193	-0,023	0,455	0,600	71,182	19,947	23,868	21,396	21,119	20,444	20,398	29,228	20,154	57,027
395,500	0,267	0,480	0,976	0,203	0,075	0,452	0,600	71,196	19,978	23,834	21,393	21,120	20,456	20,396	29,225	20,157	57,032
395,834	0,257	0,485	0,974	0,201	0,000	0,448	0,600	71,183	19,992	23,783	21,395	21,111	20,454	20,389	29,224	20,155	57,061
396,167	0,254	0,486	0,960	0,205	-0,008	0,448	0,600	71,212	20,022	23,835	21,403	21,119	20,458	20,397	29,241	20,163	57,042
396,500	0,255	0,484	0,966	0,202	0,033	0,451	0,600	71,209	20,006	23,769	21,404	21,117	20,455	20,391	29,242	20,157	57,064
396,834	0,257	0,482	0,968	0,195	0,004	0,452	0,599	71,191	20,016	23,728	21,384	21,112	20,461	20,387	29,250	20,154	57,071
397,167	0,260	0,476	0,968	0,198	-0,013	0,457	0,600	71,205	20,007	23,765	21,382	21,110	20,452	20,394	29,240	20,154	57,074
397,500	0,267	0,470	0,975	0,196	0,065	0,463	0,600	71,230	19,907	23,767	21,393	21,109	20,457	20,393	29,259	20,156	57,077
397,834	0,277	0,464	0,969	0,204	0,059	0,466	0,598	71,216	19,961	23,811	21,399	21,121	20,455	20,397	29,278	20,161	57,093
398,167	0,269	0,469	0,973	0,203	-0,030	0,460	0,598	71,193	19,980	23,742	21,377	21,105	20,453	20,390	29,287	20,151	57,140
398,500	0,254	0,477	0,968	0,201	0,008	0,455	0,599	71,205	19,997	23,813	21,383	21,113	20,448	20,394	29,296	20,156	57,114
398,833	0,252	0,479	0,959	0,200	0,002	0,455	0,598	71,200	19,994	23,775	21,396	21,117	20,465	20,399	29,311	20,163	57,087
399,167	0,251	0,477	0,970	0,203	0,052	0,456	0,598	71,211	19,983	23,826	21,397	21,127	20,469	20,388	29,300	20,159	57,118
399,500	0,253	0,480	0,970	0,193	-0,003	0,451	0,598	71,219	19,957	23,855	21,398	21,124	20,457	20,396	29,306	20,159	57,099
399,833	0,251	0,487	0,961	0,201	0,072	0,446	0,598	71,212	19,998	23,829	21,403	21,116	20,467	20,409	29,322	20,163	57,122
400,167	0,249	0,491	0,966	0,203	0,046	0,445	0,597	71,217	19,994	23,894	21,410	21,119	20,463	20,396	29,304	20,158	57,161
400,500	0,251	0,486	0,973	0,200	0,010	0,450	0,596	71,253	19,998	23,885	21,418	21,142	20,463	20,401	29,303	20,167	57,171
400,833	0,254	0,483	0,967	0,199	-0,019	0,451	0,597	71,243	19,998	23,808	21,416	21,139	20,461	20,407	29,285	20,164	57,272
401,167	0,257	0,483	0,956	0,196	0,004	0,452	0,596	71,237	20,020	23,835	21,413	21,138	20,475	20,416	29,297	20,171	57,246
401,500	0,260	0,477	0,955	0,198	0,049	0,457	0,596	71,192	20,017	23,807	21,406	21,142	20,471	20,403	29,301	20,164	57,225
401,833	0,262	0,473	0,967	0,197	0,039	0,461	0,596	71,229	19,948	23,835	21,422	21,147	20,477	20,414	29,310	20,170	57,089
402,167	0,263	0,470	0,977	0,203	-0,034	0,463	0,596	71,201	19,937	23,820	21,416	21,134	20,476	20,405	29,298	20,169	57,116
402,500	0,259	0,469	0,974	0,198	0,045	0,464	0,596	71,201	19,958	23,858	21,420	21,142	20,475	20,408	29,298	20,168	57,122
402,833	0,259	0,469	0,970	0,200	0,005	0,463	0,596	71,206	19,965	23,864	21,416	21,136	20,471	20,401	29,292	20,167	57,135
403,167	0,264	0,467	0,966	0,203	0,082	0,466	0,595	71,215	19,932	23,854	21,414	21,132	20,467	20,413	29,297	20,165	57,080
403,500	0,268	0,464	0,964	0,197	-0,001	0,468	0,596	71,240	19,915	23,861	21,414	21,129	20,467	20,406	29,296	20,161	57,113
403,834	0,270	0,461	0,957	0,201	0,060	0,469	0,595	71,276	19,925	23,836	21,419	21,144	20,475	20,408	29,285	20,166	57,143
404,167	0,270	0,462	0,964	0,197	0,000	0,468	0,595	71,295	19,726	23,768	21,416	21,150	20,472	20,414	29,273	20,170	57,084
404,500	0,271	0,466	0,958	0,197	-0,027	0,465	0,595	71,322	19,784	23,816	21,410	21,149	20,474	20,405	29,256	20,165	57,084
404,834	0,270	0,465	0,956	0,200	0,050	0,467	0,595	71,283	19,725	23,794	21,410	21,138	20,474	20,417	29,268	20,168	57,101
405,167	0,267	0,465	0,965	0,197	-0,015	0,463	0,595	71,277	19,770	23,783	21,409	21,148	20,482	20,419	29,280	20,175	57,116
405,500	0,262	0,476	0,968	0,200	0,056	0,453	0,595	71,265	19,783	23,803	21,388	21,138	20,477	20,413	29,275	20,169	57,137
405,834	0,259	0,485	0,967	0,204	0,002	0,448	0,594	71,273	19,833	23,789	21,406	21,144	20,488	20,419	29,278	20,176	57,133
406,167	0,259	0,487	0,962	0,203	0,008	0,447	0,593	71,311	19,804	23,801	21,406	21,136	20,479	20,418	29,278	20,175	57,169
406,500	0,261	0,486	0,962	0,207	0,066	0,449	0,594	71,319	19,768	23,811	21,401	21,131	20,476	20,417	29,254	20,179	56,944
406,833	0,261	0,484	0,970	0,200	0,004	0,451	0,594	71,310	19,773	23,781	21,396	21,116	20,484	20,414	29,255	20,175	56,653

Pellematic 56_test cat I_040321.DAT

Category: I

	1103	1105	1106	130	230	101	102	1	2	3	6	7	8	11	
Mättid	T3 inlet load side	T2 inlet boiler	T1 outlet boiler	Flow load side	Flow boiler side	Heat output load side	Heat output boiler	CO chimney	CO2 chimney	O2 chimney	Pstat	Pdyn	Tunnel velocity	Våg	Tidpunkt
Minuter	°C	°C	°C	m³/h	m³/h	W	W	ppm	%	%	Pa	Pa	m/s	kg	Klockan
395,167	42,164	61,334	74,954	0,446	0,481	7636,588	7493,815	182,338	6,933	13,660	3,868	39,062	8,069	12,470	2021-03-04 14:57
395,500	42,165	61,327	74,963	0,446	0,482	7636,437	7507,613	162,440	7,020	13,556	4,059	39,217	8,085	12,470	2021-03-04 14:58
395,834	42,171	61,329	74,970	0,447	0,482	7655,908	7506,051	142,725	7,139	13,451	4,012	38,820	8,044	12,470	2021-03-04 14:58
396,167	42,161	61,335	74,967	0,447	0,481	7650,213	7500,885	136,586	7,151	13,451	4,106	38,267	7,986	12,470	2021-03-04 14:58
396,500	42,171	61,331	74,981	0,446	0,481	7651,283	7510,927	140,382	7,072	13,520	4,048	38,303	7,990	12,470	2021-03-04 14:59
396,834	42,188	61,334	74,988	0,446	0,481	7643,895	7513,162	147,418	7,046	13,570	3,892	38,713	8,033	12,346	2021-03-04 14:59
397,167	42,190	61,336	74,973	0,446	0,482	7647,116	7505,920	156,592	6,878	13,720	3,965	38,649	8,026	12,470	2021-03-04 14:59
397,500	42,186	61,344	74,996	0,447	0,481	7657,071	7509,732	174,957	6,707	13,890	3,922	39,110	8,074	12,470	2021-03-04 15:00
397,834	42,222	61,340	75,005	0,446	0,482	7640,655	7523,155	203,328	6,574	13,992	4,081	38,958	8,058	12,346	2021-03-04 15:00
398,167	42,237	61,345	75,010	0,446	0,482	7656,359	7522,294	165,513	6,776	13,812	4,065	38,839	8,046	12,346	2021-03-04 15:00
398,500	42,226	61,364	75,014	0,446	0,482	7637,275	7514,366	133,067	6,975	13,650	4,017	38,723	8,034	12,470	2021-03-04 15:01
398,833	42,203	61,381	75,012	0,447	0,482	7652,336	7502,120	130,973	6,952	13,652	3,993	38,365	7,996	12,346	2021-03-04 15:01
399,167	42,214	61,379	75,013	0,447	0,482	7670,178	7502,144	131,222	6,917	13,671	4,059	38,629	8,024	12,346	2021-03-04 15:01
399,500	42,226	61,377	75,014	0,446	0,482	7642,408	7505,586	133,568	7,052	13,532	3,865	38,881	8,050	12,346	2021-03-04 15:02
399,833	42,218	61,389	75,027	0,446	0,482	7653,705	7509,270	131,904	7,212	13,374	4,020	38,517	8,012	12,346	2021-03-04 15:02
400,167	42,214	61,385	75,023	0,446	0,482	7668,221	7507,303	124,308	7,264	13,344	4,055	38,487	8,009	12,346	2021-03-04 15:02
400,500	42,248	61,401	75,042	0,447	0,482	7671,371	7505,899	132,817	7,107	13,505	3,997	39,198	8,083	12,252	2021-03-04 15:03
400,833	42,262	61,385	75,041	0,446	0,482	7707,802	7514,933	138,942	7,105	13,520	3,975	38,590	8,020	12,346	2021-03-04 15:03
401,167	42,279	61,403	75,048	0,447	0,482	7694,103	7514,462	149,064	7,071	13,567	3,918	38,450	8,005	12,253	2021-03-04 15:03
401,500	42,279	61,420	75,037	0,446	0,482	7668,793	7498,726	154,893	6,894	13,707	3,958	38,181	7,977	12,253	2021-03-04 15:04
401,833	42,295	61,412	75,051	0,446	0,482	7603,061	7508,194	162,781	6,787	13,821	3,941	38,732	8,034	12,253	2021-03-04 15:04
402,167	42,322	61,441	75,066	0,447	0,482	7604,939	7503,928	157,839	6,732	13,898	4,055	39,084	8,071	12,253	2021-03-04 15:04
402,500	42,356	61,505	75,056	0,445	0,482	7564,416	7463,252	147,766	6,726	13,909	3,966	39,007	8,063	12,253	2021-03-04 15:05
402,833	42,351	61,544	75,061	0,446	0,482	7581,751	7437,515	150,858	6,725	13,901	3,995	39,018	8,064	12,252	2021-03-04 15:05
403,167	42,353	61,561	75,062	0,446	0,482	7557,050	7432,194	166,116	6,632	13,979	4,051	38,551	8,016	12,253	2021-03-04 15:05
403,500	42,380	61,585	75,069	0,446	0,482	7561,899	7420,704	176,762	6,563	14,053	3,934	38,616	8,022	12,253	2021-03-04 15:06
403,834	42,408	61,585	75,064	0,446	0,482	7560,287	7422,591	176,552	6,511	14,080	4,011	38,256	7,985	12,159	2021-03-04 15:06
404,167	42,400	61,595	75,062	0,445	0,482	7526,942	7414,348	177,306	6,567	14,029	3,931	38,267	7,986	12,158	2021-03-04 15:06
404,500	42,383	61,612	75,054	0,445	0,482	7533,394	7400,428	180,499	6,662	13,946	3,947	38,220	7,981	12,159	2021-03-04 15:07
404,834	42,382	61,614	75,064	0,445	0,482	7547,851	7404,194	178,064	6,589	14,014	4,004	38,420	8,002	12,159	2021-03-04 15:07
405,167	42,405	61,607	75,062	0,445	0,482	7541,514	7407,161	167,737	6,685	13,882	3,947	38,780	8,039	12,159	2021-03-04 15:07
405,500	42,400	61,599	75,052	0,446	0,482	7559,901	7405,787	154,983	6,974	13,597	3,995	38,671	8,028	12,159	2021-03-04 15:08
405,834	42,375	61,603	75,037	0,445	0,482	7565,605	7394,865	149,688	7,155	13,451	4,087	38,713	8,032	12,159	2021-03-04 15:08
406,167	42,387	61,600	75,043	0,445	0,482	7573,066	7397,688	149,518	7,204	13,407	4,068	38,504	8,011	12,065	2021-03-04 15:08
406,500	42,407	61,605	75,062	0,446	0,482	7455,801	7406,579	158,746	7,151	13,458	4,136	38,267	7,986	12,065	2021-03-04 15:09
406,833	42,385	61,630	75,049	0,445	0,482	7311,227	7390,540	155,560	7,072	13,518	3,997	38,908	8,053	12,159	2021-03-04 15:09

Pellematic 56_test cat I_040321.DAT

Category: I

	301	302	304	305	306	308	317	1311	1312	1313	1314	1315	1316	1317	1318	1101	1102
Mättid	CO chimney	CO2 chimney	Pdyn	Pstat	Static pressure chimney	O2 chimney	Våg	Flue gas temp	Ambient	Flue gas at pitot	filter temp 1	filter temp 2	gas meter temp 1	gas meter temp 2	gasmeter temp ambient		T4 outlet load side
Minuter	VDC	VDC	VDC	VDC	VDC	VDC	VDC	°C	°C	°C	°C	°C	°C	°C	°C	°C	°C
407,167	0,262	0,483	0,973	0,200	0,031	0,450	0,593	71,331	19,690	23,820	21,392	21,122	20,479	20,411	29,254	20,174	56,664
407,500	0,262	0,486	0,973	0,201	0,032	0,447	0,593	71,329	19,737	23,787	21,382	21,120	20,478	20,405	29,262	20,168	56,838
407,833	0,263	0,489	0,975	0,200	-0,022	0,446	0,593	71,315	19,801	23,714	21,371	21,107	20,461	20,411	29,251	20,169	57,207
408,167	0,267	0,488	0,967	0,202	0,003	0,448	0,594	71,288	19,778	23,736	21,386	21,114	20,468	20,412	29,245	20,172	57,174
408,500	0,270	0,486	0,959	0,201	0,070	0,449	0,593	71,309	19,795	23,793	21,381	21,106	20,479	20,423	29,260	20,175	57,152
408,833	0,273	0,483	0,973	0,209	0,031	0,452	0,593	71,333	19,794	23,758	21,377	21,107	20,481	20,409	29,256	20,176	57,158
409,167	0,275	0,480	0,977	0,198	-0,017	0,453	0,593	71,319	19,839	23,739	21,377	21,111	20,469	20,405	29,254	20,173	57,227
409,500	0,275	0,481	0,971	0,203	0,054	0,453	0,592	71,322	19,865	23,747	21,381	21,117	20,480	20,409	29,236	20,177	57,211
409,833	0,272	0,481	0,971	0,204	0,000	0,453	0,592	71,324	19,886	23,742	21,376	21,114	20,483	20,413	29,240	20,177	57,114
410,167	0,267	0,483	0,974	0,200	0,050	0,450	0,592	71,278	19,894	23,765	21,386	21,105	20,479	20,421	29,240	20,178	57,077
410,500	0,265	0,485	0,980	0,201	0,044	0,450	0,592	71,287	19,891	23,803	21,394	21,120	20,485	20,419	29,248	20,177	57,113
410,833	0,269	0,482	0,975	0,207	0,035	0,453	0,592	71,323	19,867	23,815	21,375	21,110	20,480	20,419	29,252	20,177	57,089
411,167	0,270	0,478	0,964	0,202	0,032	0,455	0,592	71,312	19,869	23,834	21,388	21,112	20,474	20,417	29,226	20,177	57,062
411,500	0,264	0,481	0,967	0,200	0,030	0,451	0,592	71,333	19,871	23,790	21,391	21,117	20,477	20,418	29,214	20,177	57,075
411,834	0,263	0,485	0,967	0,196	0,025	0,450	0,592	71,330	19,826	23,768	21,388	21,118	20,472	20,426	29,213	20,177	57,043
412,167	0,268	0,482	0,970	0,197	-0,021	0,453	0,592	71,355	19,786	23,791	21,382	21,113	20,484	20,423	29,219	20,180	57,049
412,500	0,271	0,480	0,968	0,202	0,053	0,454	0,591	71,376	19,815	23,785	21,387	21,112	20,489	20,422	29,213	20,180	57,037
412,834	0,271	0,479	0,965	0,203	-0,034	0,454	0,590	71,411	19,822	23,774	21,376	21,103	20,473	20,418	29,215	20,176	57,008
413,167	0,263	0,482	0,966	0,202	0,054	0,451	0,590	71,426	19,849	23,739	21,371	21,107	20,486	20,425	29,210	20,183	57,000
413,500	0,255	0,484	0,966	0,197	-0,008	0,451	0,590	71,384	19,826	23,771	21,376	21,110	20,488	20,415	29,221	20,177	57,000
413,834	0,255	0,484	0,968	0,201	0,089	0,450	0,590	71,337	19,778	23,739	21,381	21,114	20,492	20,436	29,220	20,180	56,991
414,167	0,254	0,487	0,972	0,203	0,016	0,447	0,590	71,340	19,767	23,733	21,378	21,105	20,481	20,430	29,222	20,180	57,022
414,500	0,251	0,491	0,967	0,203	-0,018	0,444	0,590	71,286	19,772	23,772	21,383	21,112	20,485	20,417	29,240	20,180	57,020
414,833	0,254	0,490	0,973	0,203	0,005	0,445	0,589	71,264	19,751	23,730	21,379	21,104	20,490	20,421	29,236	20,179	57,031
415,167	0,253	0,488	0,961	0,200	0,061	0,447	0,589	71,270	19,807	23,712	21,375	21,105	20,487	20,423	29,242	20,182	57,040
415,500	0,255	0,488	0,966	0,194	-0,032	0,446	0,588	71,315	19,868	23,634	21,373	21,115	20,490	20,426	29,240	20,188	57,031
415,833	0,255	0,493	0,971	0,202	-0,016	0,441	0,588	71,362	19,911	23,663	21,368	21,106	20,487	20,429	29,248	20,185	57,008
416,167	0,252	0,499	0,966	0,198	0,012	0,437	0,589	71,343	19,868	23,751	21,374	21,109	20,487	20,423	29,247	20,181	57,043
416,500	0,251	0,501	0,966	0,206	0,057	0,436	0,588	71,397	19,883	23,756	21,391	21,109	20,487	20,436	29,255	20,186	57,016
416,833	0,258	0,498	0,965	0,207	0,022	0,438	0,588	71,414	19,891	23,766	21,385	21,119	20,490	20,427	29,256	20,190	57,024
417,167	0,256	0,499	0,966	0,198	0,041	0,435	0,588	71,433	19,898	23,811	21,381	21,119	20,487	20,426	29,249	20,185	56,979
417,500	0,252	0,508	0,973	0,201	0,002	0,428	0,587	71,424	19,888	23,853	21,404	21,117	20,501	20,434	29,257	20,188	56,990
417,833	0,251	0,514	0,964	0,204	0,022	0,423	0,588	71,434	19,847	23,866	21,400	21,105	20,485	20,421	29,235	20,188	57,002
418,167	0,255	0,516	0,957	0,204	-0,016	0,426	0,587	71,454	19,849	23,845	21,406	21,111	20,493	20,433	29,229	20,191	57,016
418,500	0,265	0,504	0,964	0,206	0,025	0,435	0,587	71,455	19,882	23,803	21,392	21,120	20,497	20,432	29,236	20,188	57,012
418,834	0,270	0,496	0,965	0,205	0,090	0,441	0,587	71,477	19,925	23,843	21,401	21,116	20,494	20,431	29,257	20,192	57,018

Pellematic 56_test cat I_040321.DAT

Category: I

	1103	1105	1106	130	230	101	102	1	2	3	6	7	8	11	
Mättid	T3 inlet load side	T2 inlet boiler	T1 outlet boiler	Flow load side	Flow boiler side	Heat output load side	Heat output boiler	CO chimney	CO2 chimney	O2 chimney	Pstat	Pdyn	Tunnel velocity	Våg	Tidpunkt
Minuter	°C	°C	°C	m³/h	m³/h	W	W	ppm	%	%	Pa	Pa	m/s	kg	Klockan
407,167	42,361	61,852	75,054	0,446	0,482	7338,171	7270,377	156,986	7,078	13,489	3,995	38,899	8,052	12,065	2021-03-04 15:09
407,500	42,372	61,950	75,051	0,446	0,482	7433,749	7215,251	157,265	7,171	13,405	4,013	38,923	8,054	12,065	2021-03-04 15:10
407,833	42,392	61,911	75,056	0,446	0,482	7604,752	7233,231	163,580	7,216	13,391	3,996	38,895	8,051	12,065	2021-03-04 15:10
408,167	42,375	61,751	75,060	0,446	0,482	7595,688	7323,359	172,514	7,203	13,428	4,043	38,378	7,998	12,065	2021-03-04 15:10
408,500	42,355	61,590	75,075	0,445	0,482	7579,588	7422,319	177,650	7,173	13,458	4,022	38,128	7,972	12,065	2021-03-04 15:11
408,833	42,363	61,558	75,089	0,445	0,482	7582,687	7445,459	188,685	7,056	13,559	4,181	39,045	8,067	12,065	2021-03-04 15:11
409,167	42,384	61,554	75,100	0,445	0,482	7605,866	7455,460	190,311	6,996	13,604	3,962	39,230	8,086	12,065	2021-03-04 15:11
409,500	42,379	61,547	75,115	0,445	0,482	7600,570	7465,546	191,005	7,014	13,584	4,068	38,849	8,047	11,971	2021-03-04 15:12
409,833	42,358	61,555	75,116	0,445	0,482	7556,028	7467,644	180,808	6,993	13,593	4,075	38,980	8,060	12,065	2021-03-04 15:12
410,167	42,349	61,622	75,135	0,445	0,481	7541,501	7433,999	166,715	7,097	13,515	3,998	39,125	8,075	11,971	2021-03-04 15:12
410,500	42,341	61,654	75,135	0,445	0,481	7570,050	7416,163	166,551	7,123	13,494	4,023	39,415	8,105	11,971	2021-03-04 15:13
410,833	42,327	61,648	75,153	0,445	0,482	7555,998	7430,527	179,796	7,016	13,591	4,133	38,836	8,045	11,971	2021-03-04 15:13
411,167	42,297	61,658	75,177	0,445	0,481	7566,460	7437,336	176,297	6,944	13,639	4,049	38,456	8,006	11,971	2021-03-04 15:13
411,500	42,292	61,665	75,173	0,444	0,482	7553,057	7434,080	159,590	7,053	13,537	3,998	38,738	8,035	11,971	2021-03-04 15:14
411,834	42,291	61,669	75,180	0,445	0,482	7557,419	7438,339	160,924	7,114	13,503	3,917	38,689	8,030	11,971	2021-03-04 15:14
412,167	42,280	61,675	75,201	0,445	0,482	7557,590	7444,237	177,771	7,012	13,596	3,949	39,061	8,069	11,971	2021-03-04 15:14
412,500	42,253	61,681	75,206	0,445	0,482	7565,587	7445,697	180,724	7,001	13,634	4,036	38,748	8,036	11,846	2021-03-04 15:15
412,834	42,230	61,683	75,219	0,445	0,482	7573,143	7452,512	182,182	6,997	13,612	4,060	38,345	7,994	11,846	2021-03-04 15:15
413,167	42,226	61,688	75,227	0,445	0,482	7571,270	7453,270	152,102	7,078	13,519	4,035	38,761	8,038	11,846	2021-03-04 15:15
413,500	42,214	61,683	75,223	0,443	0,482	7548,019	7453,291	139,786	7,093	13,516	3,933	38,657	8,027	11,846	2021-03-04 15:16
413,834	42,187	61,692	75,244	0,445	0,482	7586,862	7458,776	141,463	7,118	13,495	4,030	38,762	8,038	11,846	2021-03-04 15:16
414,167	42,156	61,684	75,253	0,445	0,482	7621,692	7469,526	133,174	7,199	13,402	4,053	38,921	8,054	11,846	2021-03-04 15:16
414,500	42,151	61,677	75,246	0,444	0,481	7605,585	7462,253	131,423	7,287	13,324	4,058	38,326	7,992	11,846	2021-03-04 15:17
414,833	42,143	61,671	75,255	0,445	0,482	7621,702	7474,089	138,700	7,242	13,365	4,059	39,029	8,065	11,753	2021-03-04 15:17
415,167	42,131	61,673	75,248	0,446	0,482	7649,147	7474,331	138,357	7,197	13,402	4,009	38,524	8,013	11,753	2021-03-04 15:17
415,500	42,106	61,666	75,272	0,445	0,482	7652,951	7491,827	140,544	7,204	13,388	3,885	38,959	8,058	11,753	2021-03-04 15:18
415,833	42,096	61,666	75,274	0,446	0,482	7648,446	7488,580	137,362	7,366	13,227	4,044	38,812	8,043	11,753	2021-03-04 15:18
416,167	42,095	61,648	75,291	0,445	0,482	7663,712	7506,695	129,885	7,486	13,100	3,953	38,292	7,989	11,752	2021-03-04 15:18
416,500	42,099	61,650	75,309	0,446	0,482	7657,904	7522,355	134,154	7,538	13,067	4,124	38,632	8,024	11,752	2021-03-04 15:19
416,833	42,080	61,648	75,306	0,445	0,482	7657,184	7516,977	151,368	7,419	13,151	4,130	38,886	8,050	11,753	2021-03-04 15:19
417,167	42,065	61,658	75,303	0,445	0,482	7648,854	7511,115	141,306	7,492	13,044	3,955	38,842	8,046	11,752	2021-03-04 15:19
417,500	42,065	61,655	75,318	0,446	0,482	7658,332	7521,168	133,518	7,734	12,840	4,015	39,042	8,067	11,668	2021-03-04 15:20
417,833	42,078	61,656	75,340	0,445	0,482	7642,914	7533,206	132,225	7,904	12,696	4,079	38,730	8,034	11,752	2021-03-04 15:20
418,167	42,072	61,662	75,337	0,445	0,482	7657,180	7530,314	145,140	7,849	12,789	4,074	38,362	7,996	11,659	2021-03-04 15:20
418,500	42,052	61,672	75,358	0,445	0,482	7657,991	7532,268	171,238	7,541	13,064	4,130	38,498	8,010	11,658	2021-03-04 15:21
418,834	42,053	61,679	75,372	0,445	0,482	7658,311	7537,908	178,643	7,367	13,243	4,099	38,850	8,047	11,658	2021-03-04 15:21

Pellematic 56_test cat I_040321.DAT

Category: I

	301	302	304	305	306	308	317	1311	1312	1313	1314	1315	1316	1317	1318	1101	1102
Mättid	CO chimney	CO2 chimney	Pdyn	Pstat	Static pressure chimney	O2 chimney	Våg	Flue gas temp	Ambient	Flue gas at pitot	filter temp 1	filter temp 2	gas meter temp 1	gas meter temp 2	gasmeter temp ambient		T4 outlet load side
Minuter	VDC	VDC	VDC	VDC	VDC	VDC	VDC	°C	°C	°C	°C	°C	°C	°C	°C	°C	°C
419,167	0,266	0,489	0,966	0,203	0,030	0,448	0,587	71,525	19,925	23,856	21,393	21,118	20,493	20,441	29,270	20,192	57,032
419,500	0,267	0,482	0,961	0,205	-0,027	0,453	0,587	71,484	19,915	23,851	21,402	21,105	20,487	20,429	29,265	20,186	57,091
419,834	0,269	0,478	0,960	0,205	0,060	0,457	0,587	71,500	19,921	23,757	21,393	21,102	20,487	20,433	29,262	20,186	57,149
420,167	0,272	0,471	0,964	0,196	0,003	0,462	0,587	71,474	19,943	23,718	21,382	21,115	20,491	20,436	29,276	20,189	57,092
420,500	0,274	0,467	0,958	0,203	0,044	0,465	0,587	71,499	19,964	23,728	21,374	21,107	20,497	20,444	29,294	20,190	57,159
420,834	0,278	0,464	0,960	0,197	0,033	0,469	0,587	71,470	20,002	23,768	21,385	21,100	20,494	20,440	29,310	20,189	57,215
421,167	0,282	0,460	0,969	0,203	0,026	0,472	0,585	71,479	19,989	23,748	21,390	21,118	20,493	20,437	29,320	20,192	57,188
421,500	0,286	0,455	0,958	0,203	0,030	0,475	0,585	71,453	20,002	23,717	21,386	21,123	20,502	20,435	29,323	20,191	56,994
421,834	0,282	0,454	0,962	0,205	0,005	0,475	0,585	71,441	19,923	23,733	21,378	21,097	20,484	20,437	29,302	20,192	56,737
422,167	0,280	0,454	0,971	0,201	0,045	0,476	0,585	71,422	19,966	23,718	21,384	21,118	20,504	20,448	29,307	20,194	56,789
422,500	0,284	0,453	0,959	0,198	0,003	0,476	0,585	71,410	19,902	23,762	21,223	20,970	20,498	20,450	29,161	20,201	56,813
422,833	0,280	0,454	0,958	0,207	0,015	0,475	0,585	71,409	19,896	23,762	20,964	20,790	20,488	20,444	29,024	20,192	56,818
423,167	0,273	0,456	0,968	0,203	0,005	0,472	0,585	71,426	19,921	23,737	20,965	20,788	20,481	20,448	29,011	20,194	56,859
423,500	0,269	0,461	0,971	0,198	0,029	0,469	0,585	71,382	19,896	23,725	20,951	20,779	20,491	20,450	29,009	20,192	57,015
423,833	0,268	0,465	0,966	0,209	0,029	0,466	0,585	71,444	19,911	23,762	20,955	20,777	20,492	20,445	29,026	20,196	57,025
424,167	0,269	0,467	0,975	0,200	-0,021	0,464	0,584	71,467	19,995	23,741	20,940	20,776	20,496	20,442	29,045	20,197	57,018
424,500	0,266	0,471	0,962	0,193	0,031	0,461	0,584	71,560	20,007	23,890	163,025	20,759	20,497	20,453	29,061	20,196	57,058
424,833	0,268	0,463	0,965	0,189	0,040	0,473	0,584	71,962	20,000	24,556	-5089,654	20,752	20,489	20,437	29,084	20,197	57,089
425,167	0,282	0,431	0,963	0,182	0,036	0,507	0,584	72,889	19,967	25,638	-9999,000	20,753	20,494	20,447	29,116	20,199	57,107
425,500	0,313	0,397	0,958	0,191	0,031	0,519	0,591	73,572	19,880	26,117	-62,806	20,741	20,501	20,450	29,153	20,202	57,127
425,833	0,301	0,389	0,961	0,192	-0,022	0,533	0,584	74,157	19,933	26,385	10,285	20,745	20,510	20,456	29,137	20,206	57,129
426,167	0,318	0,373	0,969	0,207	0,008	0,548	0,584	74,692	19,970	26,476	-4,623	20,737	20,552	20,458	29,142	20,207	57,163
426,500	0,334	0,357	0,965	0,192	0,024	0,562	0,584	75,172	20,037	26,602	8,930	20,710	20,548	20,442	29,146	20,199	57,191
426,834	0,357	0,342	0,965	0,204	0,056	0,576	0,584	75,669	19,997	26,666	18,047	20,713	20,537	20,448	29,150	20,198	57,197
427,167	0,376	0,328	0,968	0,206	0,046	0,587	0,554	75,976	20,039	26,329	8,325	20,718	20,557	20,468	29,188	20,218	57,212
427,500	0,407	0,323	0,968	0,212	0,034	0,590	0,541	75,937	20,036	26,012	18,929	20,693	20,556	20,458	29,187	20,202	57,191
427,834	0,437	0,315	0,962	0,208	-0,035	0,600	0,531	76,062	20,041	25,875	25,946	-2,669	20,571	20,458	29,198	20,206	57,248
428,167	0,449	0,304	0,967	0,213	0,060	0,609	0,561	76,194	20,002	25,730	27,883	-57,295	20,558	20,459	29,221	20,203	57,145
428,500	0,461	0,296	0,964	0,211	0,033	0,614	0,506	76,272	19,918	25,565	112,802	-115,334	20,545	20,460	29,237	20,205	57,143
428,834	0,480	0,293	0,964	0,215	-0,003	0,617	0,490	76,231	19,965	25,522	53,110	16,992	20,545	20,461	29,236	20,207	57,169
429,167	0,512	0,289	0,965	0,219	0,002	0,620	0,510	76,219	19,988	25,487	42,458	8,880	20,535	20,454	29,231	20,204	57,204
429,500	0,524	0,284	0,954	0,220	0,069	0,625	0,503	76,224	20,005	25,130	22,316	8,895	20,533	20,468	29,218	20,206	57,230
429,833	0,542	0,282	0,968	0,222	0,036	0,624	0,436	75,937	19,989	24,793	29,157	26,364	20,541	20,446	29,211	20,207	57,046
430,167	0,594	0,285	0,965	0,219	0,002	0,622	0,438	75,732	19,962	24,737	23,628	30,760	20,539	20,463	29,222	20,205	56,851
430,500	0,610	0,283	0,964	0,220	0,000	0,625	0,213	75,529	19,912	24,544	25,637	15,434	20,532	20,464	29,233	20,205	56,878
430,833	0,610	0,279	0,964	0,226	0,024	0,628	0,216	75,276	19,914	24,277	15,656	-2,006	20,537	20,464	29,235	20,205	56,879

Pellematic 56_test cat I_040321.DAT

Category: I

	1103	1105	1106	130	230	101	102	1	2	3	6	7	8	11	
Mättid	T3 inlet load side	T2 inlet boiler	T1 outlet boiler	Flow load side	Flow boiler side	Heat output load side	Heat output boiler	CO chimney	CO2 chimney	O2 chimney	Pstat	Pdyn	Tunnel velocity	Våg	Tidpunkt
Minuter	°C	°C	°C	m³/h	m³/h	W	W	ppm	%	%	Pa	Pa	m/s	kg	Klockan
419,167	42,104	61,681	75,392	0,446	0,482	7657,943	7546,654	167,066	7,175	13,433	4,062	38,683	8,029	11,659	2021-03-04 15:21
419,500	42,167	61,677	75,404	0,445	0,482	7651,493	7556,559	172,521	7,014	13,594	4,091	38,367	7,997	11,658	2021-03-04 15:22
419,834	42,186	61,692	75,417	0,445	0,482	7664,935	7560,857	177,866	6,918	13,711	4,099	38,521	8,013	11,658	2021-03-04 15:22
420,167	42,200	61,722	75,433	0,446	0,482	7642,153	7551,579	183,437	6,743	13,870	3,916	38,578	8,019	11,658	2021-03-04 15:22
420,500	42,254	61,742	75,454	0,445	0,482	7641,045	7543,875	191,563	6,667	13,946	4,067	38,137	7,973	11,658	2021-03-04 15:23
420,834	42,301	61,760	75,463	0,446	0,482	7650,418	7542,853	200,830	6,555	14,055	3,930	38,668	8,028	11,658	2021-03-04 15:23
421,167	42,313	61,777	75,458	0,445	0,482	7618,017	7534,259	210,879	6,460	14,168	4,065	38,584	8,019	11,565	2021-03-04 15:23
421,500	42,342	61,804	75,472	0,445	0,482	7506,428	7529,007	219,027	6,343	14,262	4,066	38,387	7,999	11,565	2021-03-04 15:24
421,834	42,400	61,831	75,475	0,445	0,482	7342,810	7511,967	201,024	6,369	14,240	4,108	38,369	7,997	11,565	2021-03-04 15:24
422,167	42,450	62,062	75,481	0,446	0,482	7357,259	7391,326	206,915	6,328	14,287	4,028	38,700	8,031	11,565	2021-03-04 15:24
422,500	42,475	62,189	75,486	0,445	0,482	7352,282	7322,751	213,655	6,337	14,280	3,963	38,458	8,006	11,565	2021-03-04 15:25
422,833	42,503	62,242	75,488	0,444	0,482	7315,517	7294,944	200,166	6,359	14,252	4,136	38,240	7,983	11,565	2021-03-04 15:25
423,167	42,545	62,281	75,486	0,446	0,482	7345,294	7269,883	182,007	6,423	14,169	4,058	38,483	8,009	11,565	2021-03-04 15:25
423,500	42,586	62,314	75,492	0,444	0,482	7374,170	7252,187	174,197	6,532	14,069	3,951	38,799	8,042	11,565	2021-03-04 15:26
423,833	42,614	62,283	75,485	0,444	0,482	7356,472	7268,398	173,006	6,661	13,976	4,181	38,483	8,009	11,565	2021-03-04 15:26
424,167	42,633	62,271	75,482	0,443	0,482	7337,851	7276,332	173,778	6,704	13,909	3,990	38,989	8,061	11,470	2021-03-04 15:26
424,500	42,658	62,283	75,497	0,443	0,482	7342,098	7278,037	168,318	6,806	13,835	3,859	38,316	7,991	11,470	2021-03-04 15:27
424,833	42,691	62,298	75,493	0,443	0,482	7340,813	7267,983	174,105	6,447	14,176	3,773	38,541	8,015	11,470	2021-03-04 15:27
425,167	42,707	62,310	75,494	0,443	0,482	7336,717	7257,779	227,221	5,350	15,208	3,636	38,778	8,039	11,470	2021-03-04 15:27
425,500	42,714	62,336	75,512	0,444	0,482	7357,312	7253,071	258,619	4,939	15,562	3,819	38,393	7,999	12,400	2021-03-04 15:28
425,833	42,731	62,358	75,526	0,443	0,482	7339,633	7250,287	259,060	4,608	15,978	3,844	38,545	8,015	11,470	2021-03-04 15:28
426,167	42,761	62,374	75,566	0,442	0,482	7325,306	7262,410	307,952	4,219	16,443	4,140	38,680	8,029	11,470	2021-03-04 15:28
426,500	42,771	62,401	75,616	0,442	0,482	7327,253	7278,978	350,874	3,824	16,867	3,832	38,683	8,029	11,470	2021-03-04 15:29
426,834	42,762	62,427	75,690	0,442	0,482	7337,504	7303,186	409,315	3,451	17,273	4,071	38,625	8,023	11,470	2021-03-04 15:29
427,167	42,765	62,469	75,728	0,441	0,482	7332,449	7304,408	456,591	3,135	17,598	4,122	38,766	8,038	8,970	2021-03-04 15:29
427,500	42,776	62,497	75,840	0,441	0,482	7319,449	7346,623	546,383	3,060	17,714	4,235	38,702	8,031	8,970	2021-03-04 15:30
427,834	42,790	62,529	75,919	0,441	0,482	7332,706	7378,096	600,606	2,789	17,994	4,154	38,463	8,007	7,658	2021-03-04 15:30
428,167	42,786	62,577	75,984	0,441	0,482	7288,628	7383,149	630,796	2,531	18,267	4,262	38,505	8,011	9,600	2021-03-04 15:30
428,500	42,772	62,648	76,066	0,440	0,483	7272,978	7396,347	659,103	2,366	18,430	4,224	38,550	8,016	6,843	2021-03-04 15:31
428,834	42,776	62,768	76,130	0,440	0,482	7290,943	7359,867	731,166	2,303	18,501	4,299	38,651	8,026	5,159	2021-03-04 15:31
429,167	42,780	62,834	76,183	0,441	0,482	7314,545	7347,906	791,388	2,196	18,606	4,373	38,126	7,971	6,956	2021-03-04 15:31
429,500	42,776	62,869	76,235	0,440	0,482	7314,913	7363,453	815,528	2,064	18,745	4,397	38,342	7,994	7,250	2021-03-04 15:32
429,833	42,764	62,920	76,271	0,440	0,483	7227,644	7356,714	888,577	2,064	18,726	4,441	38,625	8,023	1,817	2021-03-04 15:32
430,167	42,754	62,982	76,307	0,438	0,482	7109,296	7336,986	1008,810	2,130	18,667	4,376	38,409	8,001	1,835	2021-03-04 15:32
430,500	42,753	63,241	76,320	0,438	0,482	7119,711	7204,548	1032,157	2,055	18,744	4,394	38,495	8,010	-11,433	2021-03-04 15:33
430,833	42,757	63,378	76,318	0,438	0,483	7113,365	7129,701	1026,400	1,950	18,837	4,526	38,396	8,000	-11,530	2021-03-04 15:33

Pellematic 56_test cat I_040321.DAT

Category: I

	301	302	304	305	306	308	317	1311	1312	1313	1314	1315	1316	1317	1318	1101	1102
	CO	CO2			Static	O2		Flue gas		Flue gas at	filter temp	filter temp	gas	gas	gasmeter		T4 outlet
Mättid	chimney	chimney	Pdyn	Pstat	pressure	chimney	Våg	temp	Ambient	pitot	1	2	meter	meter	temp		load side
Minuter	VDC	VDC	VDC	VDC	VDC	VDC	VDC	°C	°C	°C	°C	°C	°C	°C	°C	°C	°C
431,167	0,625	0,279	0,961	0,223	0,072	0,633	0,216	75,068	19,945	24,130	19,205	-5017,643	20,526	20,458	29,242	20,205	56,932
431,500	0,275	0,222	0,961	0,213	-0,024	0,693	0,216	74,494	19,978	23,453	16,804	147,882	20,534	20,465	29,245	20,210	56,936
431,833	0,201	0,206	0,959	0,201	0,076	0,693	0,216	73,190	19,891	22,744	11,696	167,328	20,526	20,460	29,247	20,203	56,998
432,167	0,252	0,212	0,955	0,201	0,001	0,476	0,216	72,011	19,933	22,447	31,260	169,121	20,520	20,458	29,243	20,204	57,089
432,500	0,883	0,808	0,967	0,198	0,037	0,014	0,216	71,080	19,920	22,252	28,602	172,806	20,522	20,458	29,249	20,208	57,030
432,833	0,863	0,808	0,955	0,197	0,013	0,060	0,216	70,071	19,946	22,097	20,181	167,632	20,526	20,456	29,256	20,208	56,969
433,167	0,786	0,736	0,964	0,195	0,021	0,121	0,216	69,472	19,971	21,992	28,142	174,958	20,522	20,460	29,253	20,208	56,935
433,500	0,820	0,759	0,960	0,192	0,043	0,042	0,216	68,921	19,985	21,968	23,575	187,000	20,521	20,451	29,273	20,207	56,910
433,833	0,896	0,833	0,962	0,191	-0,001	0,003	0,292	68,377	19,929	21,915	30,862	205,154	20,522	20,455	29,275	20,208	56,873
434,167	0,896	0,834	0,968	0,189	0,076	0,002	0,216	67,966	19,915	21,886	26,515	169,810	20,530	20,470	29,269	20,208	57,029
434,500	0,896	0,834	0,966	0,190	0,030	0,002	0,322	67,357	19,995	21,863	24,573	174,949	20,526	20,460	29,272	20,210	57,206
434,834	0,624	0,602	0,964	0,191	-0,022	0,491	0,315	66,828	20,020	21,834	19,620	194,368	20,525	20,457	29,258	20,211	57,134
435,167	0,201	0,208	0,966	0,191	0,065	0,694	0,217	66,422	20,052	21,847	23,995	159,969	20,528	20,460	29,247	20,216	57,068
435,500	0,199	0,202	0,964	0,191	0,030	0,696	0,217	66,121	20,050	21,814	20,110	208,920	20,526	20,448	29,242	20,212	56,957

Pellematic 56_test cat I_040321.DAT

Category: I

	1103	1105	1106	130	230	101	102	1	2	3	6	7	8	11	
Mättid	T3 inlet load side	T2 inlet boiler	T1 outlet boiler	Flow load side	Flow boiler side	Heat output load side	Heat output boiler	CO chimney	CO2 chimney	O2 chimney	Pstat	Pdyn	Tunnel velocity	Våg	Tidpunkt
Minuter	°C	°C	°C	m ³ /h	m ³ /h	W	W	ppm	%	%	Pa	Pa	m/s	kg	Klockan
431,167	42,748	63,413	76,307	0,437	0,483	7137,826	7107,883	1076,625	1,977	18,989	4,453	38,649	8,026	-11,449	2021-03-04 15:33
431,500	42,726	63,456	76,276	0,437	0,483	7149,645	7066,694	9,202	0,062	20,779	4,268	38,479	8,008	-11,529	2021-03-04 15:34
431,833	42,713	63,458	76,245	0,437	0,483	7184,581	7050,160	8,547	0,258	20,780	4,022	38,265	7,986	-11,529	2021-03-04 15:34
432,167	42,713	63,458	76,199	0,437	0,483	7227,318	7023,522	266,385	0,567	14,293	4,019	38,293	7,989	-11,529	2021-03-04 15:34
432,500	42,702	63,399	76,134	0,436	0,483	7190,123	7021,388	1737,533	15,753	0,417	3,953	38,750	8,036	-11,529	2021-03-04 15:35
432,833	42,682	63,355	76,073	0,436	0,483	7161,909	7010,210	1587,928	14,619	1,814	3,936	38,155	7,974	-11,529	2021-03-04 15:35
433,167	42,674	63,319	75,994	0,434	0,483	7130,351	6985,964	1440,002	13,149	3,619	3,908	38,515	8,012	-11,529	2021-03-04 15:35
433,500	42,662	63,309	75,911	0,434	0,483	7123,529	6942,411	1699,473	15,182	1,271	3,839	38,354	7,995	-11,433	2021-03-04 15:36
433,833	42,647	63,282	75,792	0,435	0,483	7116,503	6893,034	1739,887	15,845	0,084	3,812	38,417	8,002	-2,029	2021-03-04 15:36
434,167	42,627	63,237	75,702	0,434	0,483	7197,741	6867,979	1739,886	15,853	0,073	3,775	38,596	8,020	-11,529	2021-03-04 15:36
434,500	42,622	63,135	75,590	0,434	0,482	7280,309	6860,630	1739,306	15,850	0,067	3,795	38,589	8,020	1,816	2021-03-04 15:37
434,834	42,594	62,908	75,448	0,434	0,482	7267,494	6906,147	396,991	4,277	14,735	3,824	38,613	8,022	-11,433	2021-03-04 15:37
435,167	42,505	62,774	75,323	0,434	0,482	7275,983	6912,521	1,383	0,075	20,828	3,830	38,881	8,050	-11,433	2021-03-04 15:37
435,500	42,443	62,690	75,202	0,434	0,482	7247,390	6887,073	0,532	0,046	20,889	3,821	38,338	7,994	-11,433	2021-03-04 15:38

Appendix 18

Manuals

Please read carefully prior
to installing and servicing.

SAVE THESE INSTRUCTIONS

Operating Manual

Pellet heating with auger
delivery or vacuum suction
system for the end-user

AutoPellet®

PES 20, 32, 56

MESys V1.1

AutoPellet TOUCH

USA



Title: Operating Manual AutoPellet® **PES 20, 32, 56**

Article number:

Version valid from: **08/2023**

Approved: **Maine Energy Systems**

Author & Manufacturer

MAINE ENERGY SYSTEMS LLC
8 Airport Road — P.O. Box 547 Bethel
Maine 04217

E-Mail: info@maineenergysystems.com
www.maineenergysystems.com

© MAINE ENERGY SYSTEMS LLC
Subject to modifications

Pour la version française de ce manuel, veuillez visiter notre site Web à
Maineenergysystems.com.

1 Dear Customer	5
2 Use only for the purpose intended	6
3 Types of safety warning sign	7
4 Warnings and safety instructions.....	8
4.1 Basic safety instructions	8
4.2 Warning signs.....	8
4.3 What to do in an emergency.....	10
5 Prerequisites for installing a pellet boiler	11
5.1 Guidelines and standards for installing a pellet boiler	11
5.2 Installation room.....	11
5.3 Flue gas system.....	12
5.4 Safety systems	15
5.5 Installation with an existing boiler.....	15
6 Fuel	17
6.1 Specification for high quality pellets as per EN ISO 17225-2, class A1 and by PFI standards in North America.....	17
6.2 Distance to flammable materials.....	18
6.3 Storing the pellets	18
6.4 Measures for the ventilation of storage rooms.....	18
7 Product description	19
7.1 The pellet boiler.....	19
7.2 Pellet suction system.....	22
7.3 Auger delivery system	22
7.4 Storage systems.....	23
7.4.1 Pellet storage room.....	23
7.4.2 Flexilo fabric tank.....	23
8 Operating the Pellematic.....	24
8.1 Operating the heating system	24
8.2 Description of the control panel	25
8.3 Setting language, date and time at Pelletronic Touch.....	25
8.4 Operating Device with Touch screen	28
8.5 Opening window	28
8.6 User controls and their function	29
8.7 Main Menu	31
9 Mode	33
10 Measuring Values.....	34
11 Weather	35
12 Heating Circuit	36
12.1 Measuring values Heating circuit	37
12.2 Time programme Heating circuit	38
12.3 Party	39
12.4 Vacation	39
12.5 Heating curve and Heating limits	40
13 Domestic hot water	43
13.1 Measuring values Domestic hot water.....	44
13.2 Time programme DHW	44
14 DHW Return pump	45
14.1 Measuring values DHW Return pump	46
14.2 Time programme DHW return pump	46
15 Solar.....	47
15.1 Measuring values Solar.....	47
15.2 Solar circuit.....	48
15.3 Yield - Solar Energy.....	49
16 Pellematic.....	50
16.1 Measuring values.....	50
16.2 Full Power.....	51

16.3	Boiler cleaning.....	52
16.4	Level detection system.....	53
16.5	Suction turbine.....	54
17	General	55
17.1	Chimney	56
17.2	Favorite	56
17.3	Local Settings.....	58
17.4	Malfunction.....	59
	17.4.1 Malfunction report	59
17.5	Information.....	76
17.6	ModBUS	77
17.7	E-Mail.....	78
17.8	IP Config.....	79
18	Software	84
19	Emptying the ash pan	85
20	Emptying the ash box	86
21	Maintenance and servicing	88
21.1	Maintenance.....	88
21.2	Cleaning the boiler every year	89
21.3	Maintenance intervals	94
21.4	Repairs	94
21.5	Checking the boiler room and storage room.....	94
22	Data for 20KW model, including emissions	95
23	Data for 32KW model, including emissions	96
24	Data for 56KW model, including emissions	97
25	General information	98

Note that warranty and replacement part information is included at the end of this manual. For warranty questions, refresher training, or replacement part inquiries (for all replacement parts including those pertaining to emissions control such as gaskets or other), please send an email to info@maineenergysystems.com including the system's address in the subject line. MESys provides replacement parts for installation by certified technicians.

1 Dear Customer

Maine Energy Systems specializes in wood pellet heating.

Our company enjoys an exclusive license from ÖkoFEN to manufacture products here in North America. We represent expertise, innovation and quality.

We are delighted that you have decided to purchase our product.

- This instruction manual is intended to help you operate the product safely, properly and economically.
- Please read this instruction manual completely and take note of the safety warnings.
- Keep all documentation supplied with this unit in a safe place for future reference.
- Installation and first startup must be carried out by a qualified installer certified by Maine Energy Systems.
- The installation must comply with the requirements of the Authority having jurisdiction over the installation.
- Please contact your authorized dealer if you have any questions.



We place great importance on the development of new products. Our R&D department continues to question accepted solutions and works continually on new improvements. That is how we maintain our technological lead. We have already received several awards for our products in Austria and abroad. Our products fulfill European and USA requirements regarding quality, efficiency and emissions.



2 Use only for the purpose intended

The pellet boiler is designed to heat water for central or other indirect heating systems and hot water supply for buildings. It is not permissible to use the pellet boiler for any other purpose. Reasonable foreseeable inadvertent uses for the pellet boiler are not known.

The boiler fulfills the requirements of UL 2523-18 and CSA B366.1-11 (R2020).

This boiler is intended to be fueled by Pellet Fuels Institute (PFI) Certified Wood Pellets.

3 Types of safety warning sign

The warning signs use the following symbols and texts.

Types of safety warning sign

1. Risk of injury
2. Consequences of risk
3. Avoiding risk



1. Risk of injury:

Danger - indicates a situation that could lead to death or life-threatening injury.



Warning - indicates a situation that could lead life-threatening or serious injury.



Caution - indicates a situation that could lead to injury.



Note - indicates a situation that could lead to property damage.



2. Consequences of risk

Effects and consequences resulting from incorrect operation.

3. Avoiding risk

Observing safety instructions ensures that the heating system is operated safely

4 Warnings and safety instructions

Observing safety instructions ensures that the heating system is operated safely.

4.1 Basic safety instructions

- Never get yourself into danger; give your own safety top priority.
- Keep children away from the central heating room and storage room.
- Observe all safety warnings on the boiler and in this user manual.
- Observe all instructions relating to maintenance, servicing and cleaning.
- The pellet heating system may only be installed and commissioned by an installer that is trained and remains currently authorized by Maine Energy Systems.
- Never make any changes to the heating system or flue gas system. All maintenance, cleaning and changes should only be done by trained professionals.
- Never close or remove safety valves.

4.2 Warning signs



DANGER

Risk of poisoning

Make sure that the pellet boiler is supplied with sufficient combustion air.

The openings in the combustion air inlet must never be partially or completely closed.

Ventilation systems, central vacuum cleaning systems, extractor fans, air conditioning systems, flue gas blowers, dryers, fuel storage ventilation fans or similar equipment must never be allowed to draw air from the boiler room and cause a drop in pressure.

The boiler must be connected tight to the chimney using a flue gas tube.

Clean the chimney and the flue gas tube at regular intervals.

The boiler room and pellet storage room must be sufficiently supplied with air and ventilated.

Before entering the storage room it must be ventilated with sufficient air and the heating system switched off.



DANGER

Risk of electric shock

Always disconnect / de-energize the power supply before working on the boiler.



DANGER

Risk of explosion

DO NOT BURN GARBAGE, GASOLINE, NAPHTHA, ENGINE OIL, OR OTHER INAPPROPRIATE MATERIALS. DO NOT USE CHEMICALS OR FLUIDS TO START THE FIRE.

Switch off the heating system before filling the storage room.



DANGER

Risk of fire

Do not store any flammable materials in the boiler room.
Do not hang out any washing in the boiler room.
Do not operate with fuel loading or ash removal doors open.



WARNING

Risk of burns

Do not touch the flue gas connector or flue gas pipe.
Do not reach into the ash chamber.
Do not clean the boiler until it has been allowed to cool down.



CAUTION

HOT SURFACES

Keep children away.
Do not touch during operation.
Do not operate if maximum draft as listed on boiler nameplate is exceeded.
Doing so can allow non-controlled combustion.



CAUTION

Risk of cut injuries due to sharp edges.

Use gloves for performing all work on the boiler.

NOTICE

Damage to property

The pellet boiler is suitable only for pellets which comply with PFI premium or EnPlus -A1 pellets specifications.
The use of any other fuel voids your warranty and can cause damage to the pellet boiler and chimney.

NOTICE

Damage to property

Do not use the heating system if it, or any of its components, come into contact with water.
If water damage occurs, check the heating system and replace damaged parts.



WARNING

All cover plates, enclosures, and guards must be maintained in place at all times, except during maintenance and servicing.

4.3 What to do in an emergency



DANGER

Risk to life

Never get yourself into danger; give your own safety top priority.

What to do in the event of a fire

- Switch off the heating system.
- Call your local fire department and / or 911.
- Use approved fire extinguishers (fire protection class ABC).

What to do if you smell smoke

- Switch off the heating system.
- Close the doors leading to living areas.
- Ventilate the boiler room.

Important: Federal, State/Provincial, and Local Regulations, Laws, and Codes must be followed; use of smoke detectors and carbon monoxide monitors are recommended in accordance with applicable statutes.

5 Prerequisites for installing a pellet boiler

You must fulfill the following conditions before operating a fully automatic pellet boiler.

5.1 Guidelines and standards for installing a pellet boiler

Overview of standards and guidelines applying to the installation of a pellet boiler.

Check whether you need to obtain planning permission or approval from the authorities for installing a new heating system or changing your existing system. Legislation in your country must be observed.

Flue gas system	EN 13384-1	Legislation in your country must be observed.
Building and fire prevention regulations		Legislation in your country must be observed.
Type of installation	FC 42x	Fireplace with a flue gas fan for connection to an air exhaust system. The combustion air line from air shaft and the connecting piece to the chimney are part of the fireplace.
	FC 52x	Fireplace with a flue gas for connection to a chimney. The combustion air line from outside and the connecting piece to the chimney are part of the fireplace.
Sound insulation	DIN 4109	Please note the building-unique demands on sound insulation.

5.2 Installation room

The installation room of the boiler is not necessarily a boiler room. Observe the applicable national and regional regulations.

1. Safety warnings for the installation room

DANGER

Risk of fire
 Do not store flammable materials or liquids in the vicinity of the pellet boiler.
 Do not permit unauthorized persons to enter the boiler room - Keep children away.
 Do not operate with fuel loading or ash removal doors open.

2. Ventilation of the installation room

The installation room must have air inlet and outlet openings for ventilation, even if there is a direct connection to the burner for combustion air. This is to keep the combustion zone at a neutral pressure. For each pellet boiler in the room, there must be at least 31square inches of opening to outside air, NOT to an adjacent room.

3. Admission of combustion air,

the pellet boiler requires combustion air. The combustion air can be supplied by:

- a. Relying upon the boiler room air as supplied by the air inlet and outlet openings for ventilation in the installation room.
- b. Independently of the room air via a separate air intake line with a direct connection to the outdoor atmosphere.
 The air intake line must not follow the sewage pipe. The diameter of the air intake line must be at least 4 inches. If the air line is greater than 12 feet in length, or if it has more than 270 degrees of turns, then it should be increased in size to 5 inch.

Never operate the pellet boiler if the air intake openings are partially or completely closed.

Contaminated combustion air can cause damage to the pellet boiler. Never store or use cleaning detergents containing chlorine, nitrobenzene or halogen in the room where the heating system is installed, if combustion air is drawn directly from the room. Be particularly cautious around swimming pools and

chemicals.

Do not hang out washing in the boiler room.

Prevent dust from collecting at the combustion air intake to the pellet boiler.

4. **System damage due to frost and humidity**

The temperature in the installation room must not drop below 38°F and must not exceed +86°F. The relative humidity in the installation room must not exceed 70%.

5. **Danger for animals**

Prevent pets and other small animals getting into the installation room. Install grilles over all openings.

6. **Flooding**

In the event of a flooding risk, switch off the pellet boiler and disconnect it from the main power supply before water enters the boiler room. All components that come into contact with water must be replaced before the pellet boiler is put into operation again.

5.3 Flue gas system

The flue gas system consists of a chimney and a flue gas tube. The flue gas tube connects the pellet heating system to the chimney. The chimney leads the flue gas from the pellet heating system out into the open.

1. **Design of the chimney**

The dimensions and design of the chimney is very important. The chimney must be able to ensure sufficient draft to safely draw away the flue gas regardless of the status of the boiler. Low flue gas temperatures can cause sooting and moisture damage on chimneys that are not insulated. For this reason **moisture-resistant chimneys** (stainless steel or ceramic) should be used. An existing chimney that is not damp-resistant needs to be renovated before use. Follow guidelines below:

Boiler size		AutoPellet
Flue gas tube diameter (at boiler)	inch/mm	6/160
Flue gas temp. / rated power	° F	266 - 320
Flue gas temp. / partial load	° F	194 - 248
Min. draft - full load/part load	in/wc	- 0.04 / - 0.02

Chimney size	Min. Height
6in x 6in	17ft
7in x 7in	16ft
8in x 8in	16ft
6in round	19ft
7in round	17ft


NOTICE

Person(s) operating a hydronic heater is/are responsible for operation in a manner that does not create a public or private nuisance condition. The manufacturer's distance and stack height recommendations and the requirements in any applicable laws or other requirements may not always be adequate to prevent nuisance conditions due to terrain or other factors.

Recommended and UL-103HT approved chimney materials are:

- a. Selkirk sure temp
- b. Supervent (JSC)
- c. Security chimneys (secure temp ASHT)

Use flue gas pipe from chimney to boiler as required by your local code.

	CAUTION
Unregulated combustion Please observe that combustion air openings and flue pipes are not reduced in size or closed. Make end user aware of these guidelines and their potential danger. Clean the chimney and the flue gas tube at regular intervals. Check if the draft inducer is clean and in a good condition.	

2. Flue gas temperature

The flue gas temperatures are approximately the same for all AutoPellet covered in this manual.

The dewpoint of flue gas with wood pellets (max. 10% water content) is approx. 120°F.

It is possible to increase the flue gas temperature to prevent condensation inside the chimney and avoid damage due to damp. Only authorised installers may increase the flue gas temperature.

Note:

The increase in flue gas temperature results in reduced efficiency and thus increases fuel consumption.

3. Negative pressure of the chimney

The boiler must be connected to a chimney or a vertical venting system that is capable of handling and producing a negative breeching pressure of -0.4 "WC. Use a draft gauge to verify the indicated draft value, adjust barometric damper as required. Drill a small hole in the connection pipe at about 2in/ 50mm from the boiler flue outlet and use this hole as your measuring point.

Chimney draft

The suction effect of the chimney draft must extend all the way to the boiler flue pipe connection. The maximum flow rate that can be drawn through the chimney limits the maximum performance of the chimney connection. The boiler performance must be reduced if the chimney does not possess the necessary cross-section. This may only be performed by authorised personnel.

4. Cleaning

Clean the flue gas tube and chimney regularly. Solid fuel burning appliances need to be cleaned frequently because soot, creosote, and ash may accumulate. The hotter the fire, the less creosote is deposited. Cleaning intervals can vary in warm periods due to this and become more frequent.



DANGER

Risk of chimney fire

Creosote-formation and need for removal: Low flue gas temperature can cause creosote. Creosote can condense in a relatively cool chimney. As a result, creosote residue accumulates on the flue lining. If ignited, this creosote will create an extremely hot fire. The chimney and the chimney connector should be inspected at least twice monthly during the heating season to determine if a creosote buildup has occurred. If creosote has accumulated it should be removed to reduce the risk of a chimney fire.

NOTICE

Oxidation of chimney

Do not use metal brushes to clean chimneys made of stainless steel.
Your state and local regulations must be observed.

5.4 Safety systems

The following safety measures are the prerequisite for safe operation of your system.

Emergency stop switch

Every heating system must be able to be switched off with an Emergency Stop switch. The Emergency Stop switch location is determined by your local code requirement. It should remove all electrical power from the boiler.



Safety valve / Over Pressure Relief Valve

This valve opens when the pressure inside the heating system increases to max. 43.5 PSI. For North America, a 30 PSI Relief Valve is supplied with each boiler. This valve must not be locked out or plugged and must be within 3 feet of the boiler, with no valves between the relief valve and boiler.



Low Water Detection

The "Low Water Detection" device is connected to the Emergency Stop of the boiler. Should a low water condition be detected, the boiler stops firing immediately. This device must be of the manual reset variety.



Safety temperature sensor

The pellet boiler is equipped with a safety temperature sensor. This is located on the pellet boiler. If the boiler temperature exceeds 230° F, then the heating system switches off.



Expansion tank

All heating systems must be equipped with an expansion tank. The overall size of the heating system volume will dictate the required expansion tank size.



NOTICE

Initial start-up

The initial start-up of each MESys boiler must be performed by an authorized installer.

5.5 Installation with an existing boiler

MESys boilers are not to be connected to a chimney flue serving another appliance. However, when all State and local codes allow for the sharing of chimney flues, MESys boilers and another appliance burning pellets or a different fuel can be operated simultaneously while connected to a single existing chimney or flue gas system providing the following conditions are met:

- All state and local codes permit the specific installation.
- All appliances are installed in accordance with the manufacturer's installation specifications or if lacking manufacturers specifications, the appliance in question is installed in a manner commonly recognized as safe and correct for the application and circumstances.
- The chimney or flue gas system must be able to handle the combustion products of either appliance and both appliances when operated simultaneously.

NOTICE

Avoid clearance issues that can make servicing difficult:

Be sure to follow suggested clearances when installing this boiler with an existing boiler to be sure that service and cleaning can be performed adequately.



CAUTION

Avoid code violations:

When connecting to or with an existing boiler, contact the authority having jurisdiction to be sure the type of installation planned is allowed.

Document the type of boiler that the Pellematic is connected to or with.

Pellet boiler: Make and Model number:

Existing boiler: Make and Model number:



DANGER

Possible escape of flue gas:

Do not connect this unit to a chimney flue serving another appliance unless multiple appliances into a single flue is authorized by all authorities having jurisdiction.

6 Fuel

Wood pellets are natural wood (dried sawdust or waste from machining) that has been formed into pellets under high pressure. They have a very low moisture content and very high calorific value. The manufacture of wood pellets is regulated by European standard EN ISO 17225-2.

Fuel Property	PFI Premium
Normative Information - Mandatory	
Bulk Density, lb./cubic foot	40.0 - 46.0
Diameter, inches	0.230 - 0.285
Diameter mm	5.84 - 7.25
Pellet Durability Index	≥ 96.5
Fines, % (at the mill gate)	≤ 0.50
Inorganic Ash, %	≤ 1.0
Length, % greater than 1.50 inches	≤ 1.0
Moisture, %	≤ 8.0
Chloride, ppm	≤ 300
Heating Value	NA
Informative Only - Not Mandatory	
Ash Fusion	NA



WARNING

Never use pellets that contain treated wood, colored paper products, cardboard, solvents, plastic trash or garbage.

Never burn trash, plastics, gasoline, solvents, naphtha, household garbage, material treated with petroleum products such as particleboard, railroad ties and pressure treated wood leaves, paper products, cardboard.

6.1 Specification for high quality pellets as per EN ISO 17225-2, class A1 and by PFI standards in North America

Calorific value	≥ 4,6 kWh/kg or ≥ 16,5 MJ/kg
Loose density	min. 600 kg/m ³
Water content	max. 10% Specification for high quality pellets as per EN ISO 17225-2, class A1
Ash content	max. 0.7%
Length	max. 40 mm
Diameter	6 mm
Fine material	max. 1%
Contents	100% natural wood

NOTICE

The heating system is suitable only for pellets of natural wood that comply with standard EN ISO 17225-2 class A1 with a diameter of 6 mm. Using non-pelletised fuels or pellets that are not manufactured from natural wood will lead to the warranty becoming void and will cause damage to the pellet boiler and the chimney.

Use only quality pellets that are DINplus or ENplus or PFI premium Certified.



WARNING

Never use pellets that contain treated wood, colored paper products, cardboard, solvents, plastic, trash or garbage

Never burn trash, plastics, gasoline, solvents, naphtha, household garbage, material treated with petroleum products such as particleboard, railroad ties and pressure treated wood, leaves, paper products, cardboard.

6.2 Distance to flammable materials

Observe the country-specific regulations, Local Regulations or NFPA.

6.3 Storing the pellets

1. Pellets are to be stored in a place where they are kept dry all year.
2. Install a back-ventilated partition to prevent pellets from contacting damp walls, or use a fabric tank.
3. Refer to our planning hints for pellet storage rooms and warning signs.
4. Legislation in your country must be observed regarding building specifications for storage rooms.
5. ÖkoFEN also offers FleXILO fabric tanks for storing pellets.

6.4 Measures for the ventilation of storage rooms

To avoid any kind of danger through possible degassing of the pellets, make sure you obey the following guidelines:

- The storage room has to be insulated towards the living area.
- The storage room has to be ventilated to the outdoors.

For further information please consult your expert adviser.

7 Product description

The description of the product is intended to provide an overview of the components that make up an ÖkoFEN pellet heating system, the parts of the pellet boiler and advice on where you can find more information.

The ÖkoFEN concept features different sizes of design and type for each component. These are compatible and designed to match.

The ÖkoFEN pellet heating system consists of 3 components

1	Pellematic pellet boiler
2	Conveyor system
3	Storage system - storage room or fabric tank

7.1 The pellet boiler

The pellet boiler is equipped with an automatic cleaning system, an ash box with ash compression system and an integrated return water temperature control. The installed programmable logic controller system enables fully automatic operation and highest efficiency. We offer an optional automatic de-ashing system for the highest level of cleanliness and comfort.

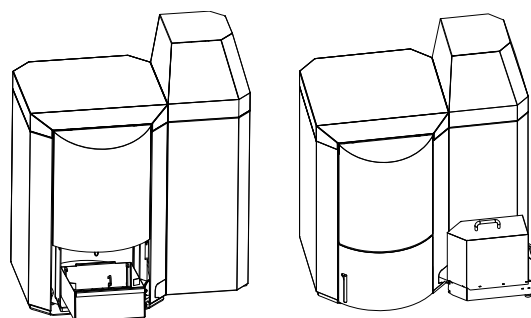
Pellematic types and power ratings

We offer the Pellet boiler with the following power ratings:
Suction-feed systems: 68,300; 109,500 and 191,000 BTU/hr

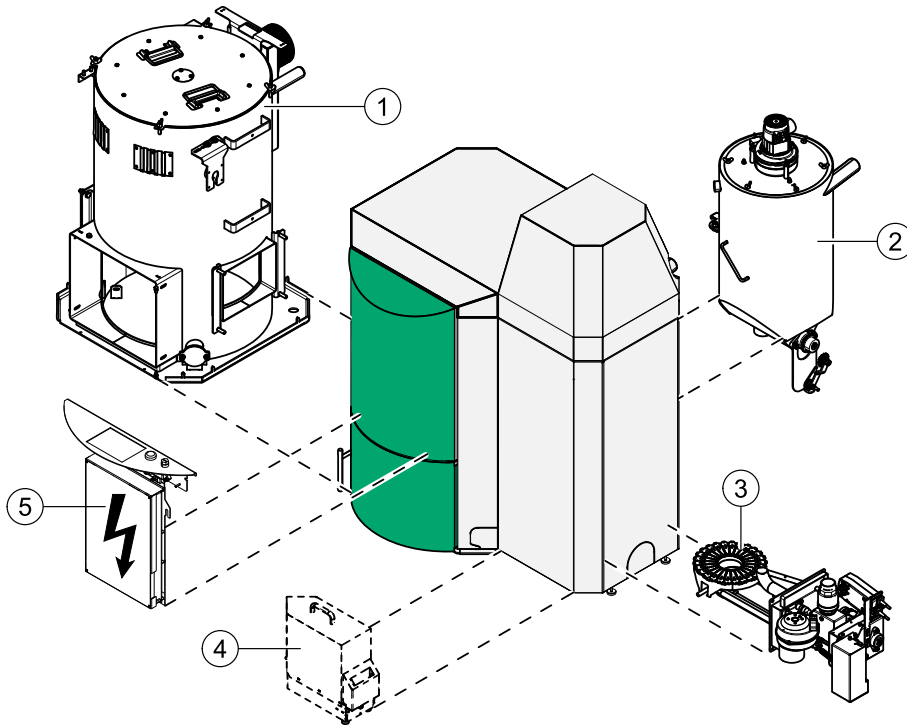
All sizes / outputs of the Autopellet boiler are available with external automatic ash compression system.

Note:

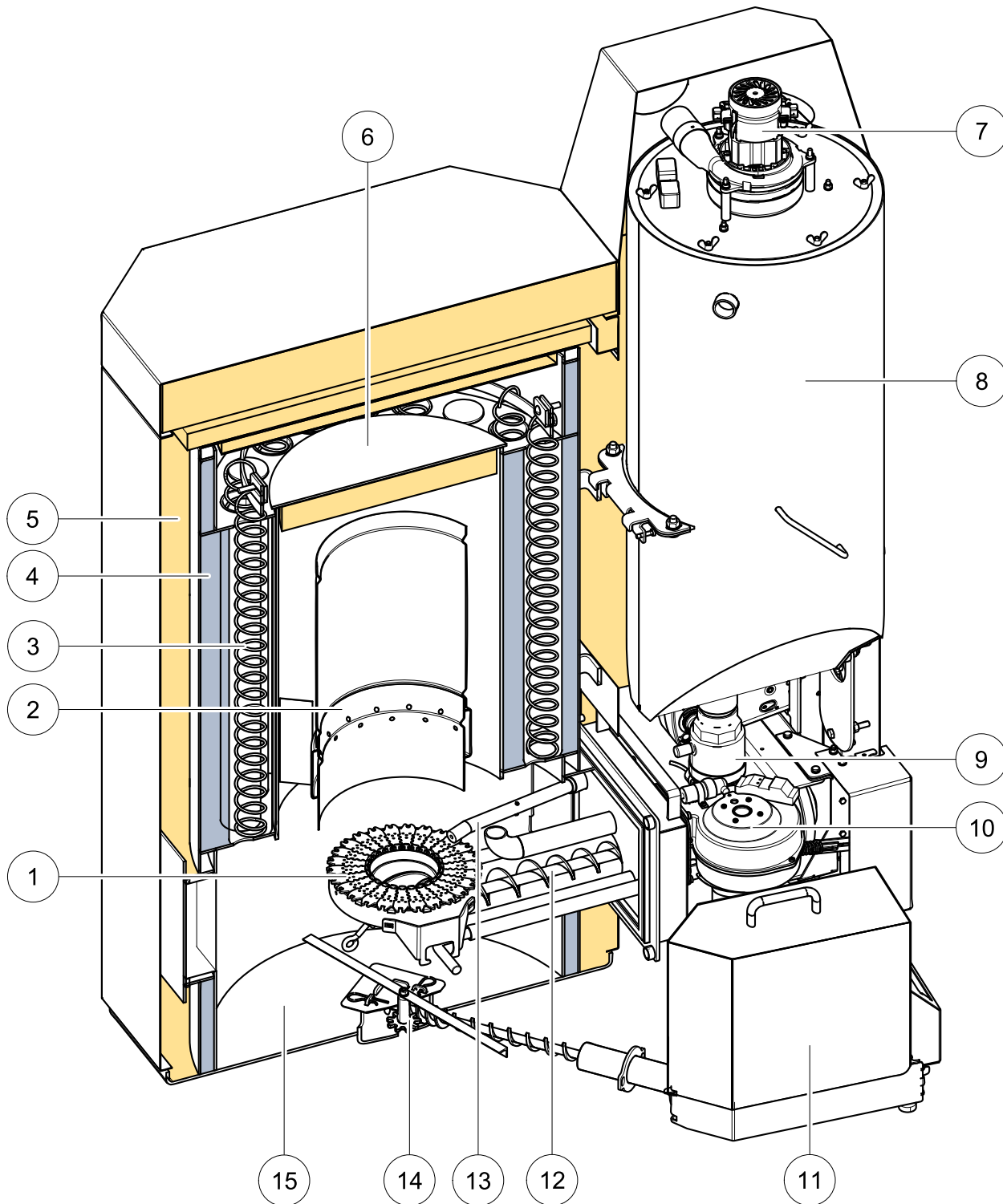
Refer to the data plate for the power rating of your Pellematic. The data plate is located on the rear side of the Pellematic. Here you will find the type designation, manufacturer's serial number and year of build.



Key components of the Pellematic



1	Boiler (heat exchanger)
2	Vac Hopper / Day tank
3	Burner
4	External automatic ash compression system
5	Boiler controller



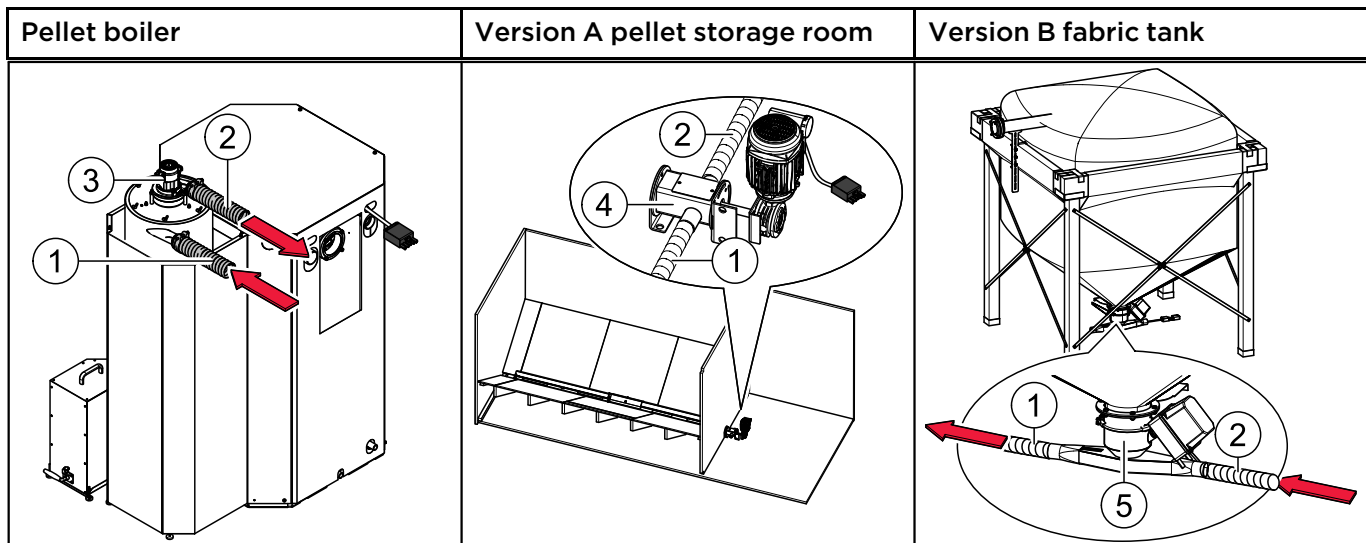
1	Burner plate	9	Fire protection - ball valve
2	Flame tube	10	Burner fan
3	Heat exchanger	11	External ash box
4	Boiler water	12	Burner auger
5	Boiler insulation	13	Electronic ignition
6	Combustion chamber cover	14	De-ashing system cover
7	Suction turbine	15	Ash chamber / Fire chamber
8	Vac hopper / Day tank		

7.2 Pellet suction system

The pellet suction system consists of the pellet line, air line and a suction fan. The suction fan in the hopper conveys pellets in the pellet line from the storage room or fabric tank to the hopper.

Key components of pellet suction system

1	Pellet line	Line from the storage room auger or fabric tank to the hopper.
2	Air line	Line from the suction fan to the storage room auger or fabric tank.
3	Suction fan	Located above the hopper behind the Pellet boiler burner housing.
4	T-piece	Located at front end of the storage room auger, outside the storage room.
5	Suction flap	Located underneath the fabric tank.

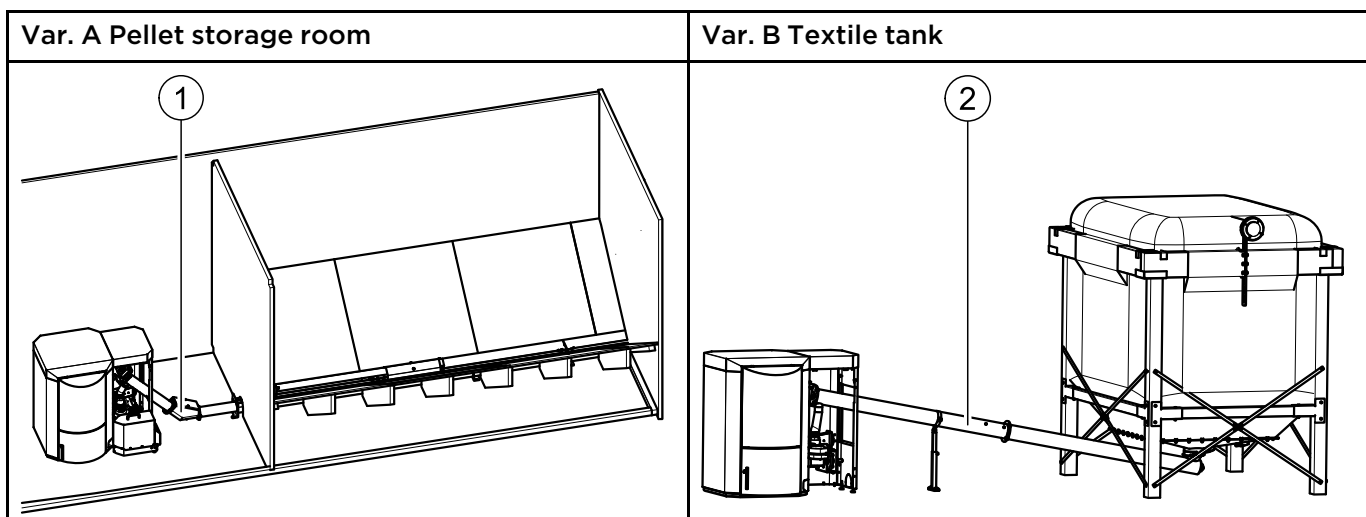


7.3 Auger delivery system

The auger system consists of: Delivery system motor, dropshaft, up leading auger with joint or extraction auger with extraction unit. The delivery system motor powers the auger system and transports pellets from the tank room or textile tank to the burner plate.

Key components of the auger system

1	Up leading auger	Delivery auger with motor unit and joint (Connection of delivery auger and pellet boiler)
2	Extraction auger	Delivery auger with auger, emergency gate, supporting leg and handcuffs; (Connection of textile tank and pellet boiler)



7.4 Storage systems

There are two methods for storing pellets: in a storage room with an auger feed system (version A) or in a FleXILO fabric tank (version B). FleXILO fabric tanks can be located inside the central heating room, storage room or protected from wet and sun outside.

NOTICE

Damage to property and loss of warranty

The combination of an ÖkoFEN pellet boiler with a storage and conveyor system from another manufacturer is not permissible.

7.4.1 Pellet storage room

The auger extraction system is part of the ÖkoFEN pellet heating system. The sloping base is to be provided by the customer. Information and important notes on setting up storage rooms can be found in the ÖkoFEN planning documents and on www.oekofen.com. Information on installing the auger extraction system is included in the auger system installation manual. Refer to the instructions on how to make a sloping base.

7.4.2 Flexilo fabric tank

The whole fabric tank system is included in the scope of supply. ÖkoFEN offers various sizes and types. The fabric tank supplied may vary from the example shown above.

Please refer to the installation instructions supplied for the fabric tank. Note also the instructions on setting up and filling.

8 Operating the Pellematic

The pellet heating system is an automatic heating system. All pellet feed system and combustion system sequences are regulated automatically using an electronic boiler controller and heating controller.

8.1 Operating the heating system

NOTICE

Damage caused do to incorrect operation or incorrect settings.

Only trained operators may use the heating system. Make sure no unauthorised persons enter the central heating room. Keep children away from the central heating room and storage room.



DANGER

Fire risk

Keep the ash removal door closed while the boiler is in operation.

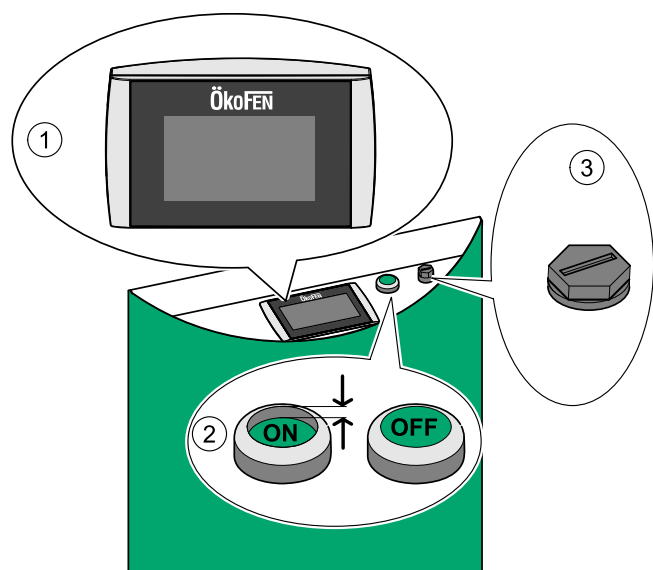
NOTICE

Standby mode boiler controller

Don't set the main switch of the boiler controller outside of the heating period to Off, because no buffer battery is used.

8.2 Description of the control panel

The control panel is located underneath the flap above the door of the boiler.



1	User control unit	Operates the boiler controller and the heating controller.
2	Main switch	Switches off the heating system (both poles) including the power supply to the control panel.
3	Safety temperature sensor	Switches the heating system off, if the boiler temperature reaches 230 °F. The heating controller remains active.

8.3 Setting language, date and time at Pelletronic Touch

Setting the language (The factory setting for the language is German)

Mittwoch, 10. Dezember 2014 10:44:15

Außentemperatur 31,6 °F
Temperatur WW1 166,6 °F
Kesseltemperatur PE1 72,9 °F
Kesselstatus PE1 Aus



MESYS
MAINE ENERGY SYSTEMS

Messwerte Betriebsart Schornstein

Hauptmenü 10:44:02

Heizkreis 1 Heizkreis 2 Warmw Solar

PES Allgemein Firmware Code



Allgemeines

Schornstein Favoriten Wertauswahl Länderel

Störung Info ModBUS E-Mail



Länder-Einstellungen

Sprache Einheit
Deutsch Imperial

Datum Uhrzeit
10.12.2014 10:45:02



Länder-E

Spra
D
Dat
15.

Deutsch
English
français
Nederlands
italiano
español
čeština



Local Settings

Language Unit
English Imperial

Date Time
Dec 10, 2014 10:46:23 AM

Setting the date



Setting the time

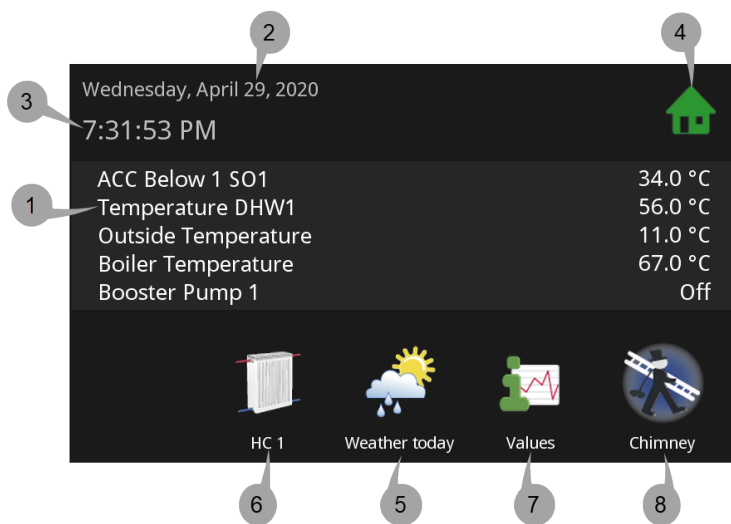


8.4 Operating Device with Touch screen

The Touch operating device is mounted on the control board of Pellematic. The color display is surrounded by a foil design with logo. With finger pressure you make settings on the Touch operating device.

8.5 Opening window

The touch panel is dark during in standby mode. As soon as you touch the surface of the touch, light turns on and displays the opening window.



- 1 Measuring values (adjustable)
- 2 Date
- 3 Hour
- 4 The icon house takes to the main menu
- 5 Weather + display current weather (only when weather function is active)

Note:

If there is a malfunction, the corresponding fault message is displayed at this point instead of the weather icon

- 6 Favorite 1 (adjustable)
- 7 Favorite 2 (adjustable)
- 8 Favorite 3 (adjustable)

8.6 User controls and their function

1. Navigation-icons

Icon-
view

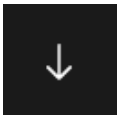
If you touch an icon, the icon turns green. The green shows that you are currently on this icon. You get to the enabled menu item .



The yellow house enters you directly to the main menu.



The horizontal arrow leads you one step back.



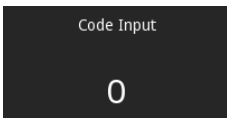
With the blue down arrow you get to additional lines of information on this item. (Down - scroll down).



With the blue up arrow you get to additional lines of information on this item. (Top of page - scroll up)

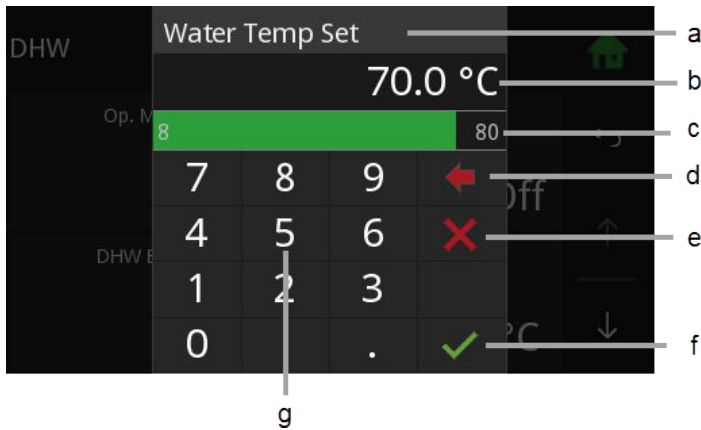


You get to the respective menu item.



You get to the settings of the parameter. You come either to a numeric keypad, a time / date block or the text selection.

2. Numeric keyboard



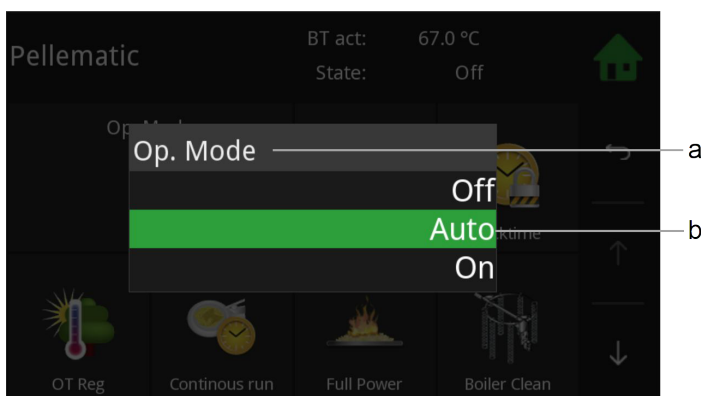
- a. Name of parameter
- b. Value of parameter with unit
- c. Min/max value - Values outside this range are not accepted.
- d. Delete input of numbers - per contact you delete one place.
- e. Cancel - You return to the menu item. Input of a new value was not accepted. The original value is.
- f. Help function - inactive
- g. Confirm
- h. Numeric keyboard - used to enter values within the min - max range.

3. Time and date block



- a. Adjustable time or date
- b. Cancel
- c. Help function - inactive
- d. Confirm

4. Text selection



- a. Name of parameter
- b. Status texts
The number of status texts depends of the parameter.

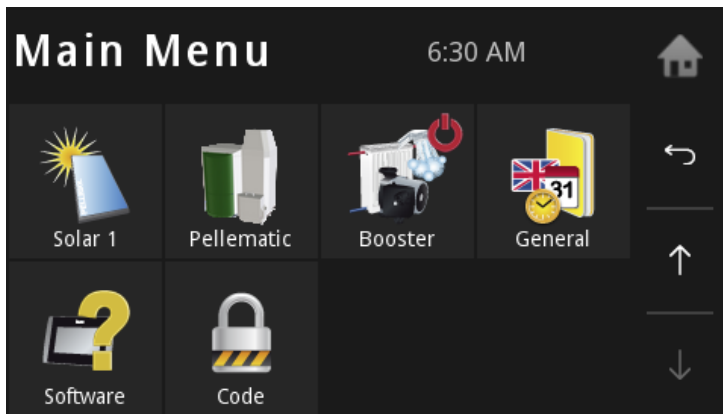
Choose a status text. The setup menu closes automatically and the chosen status text is displayed in the menu.

Note:

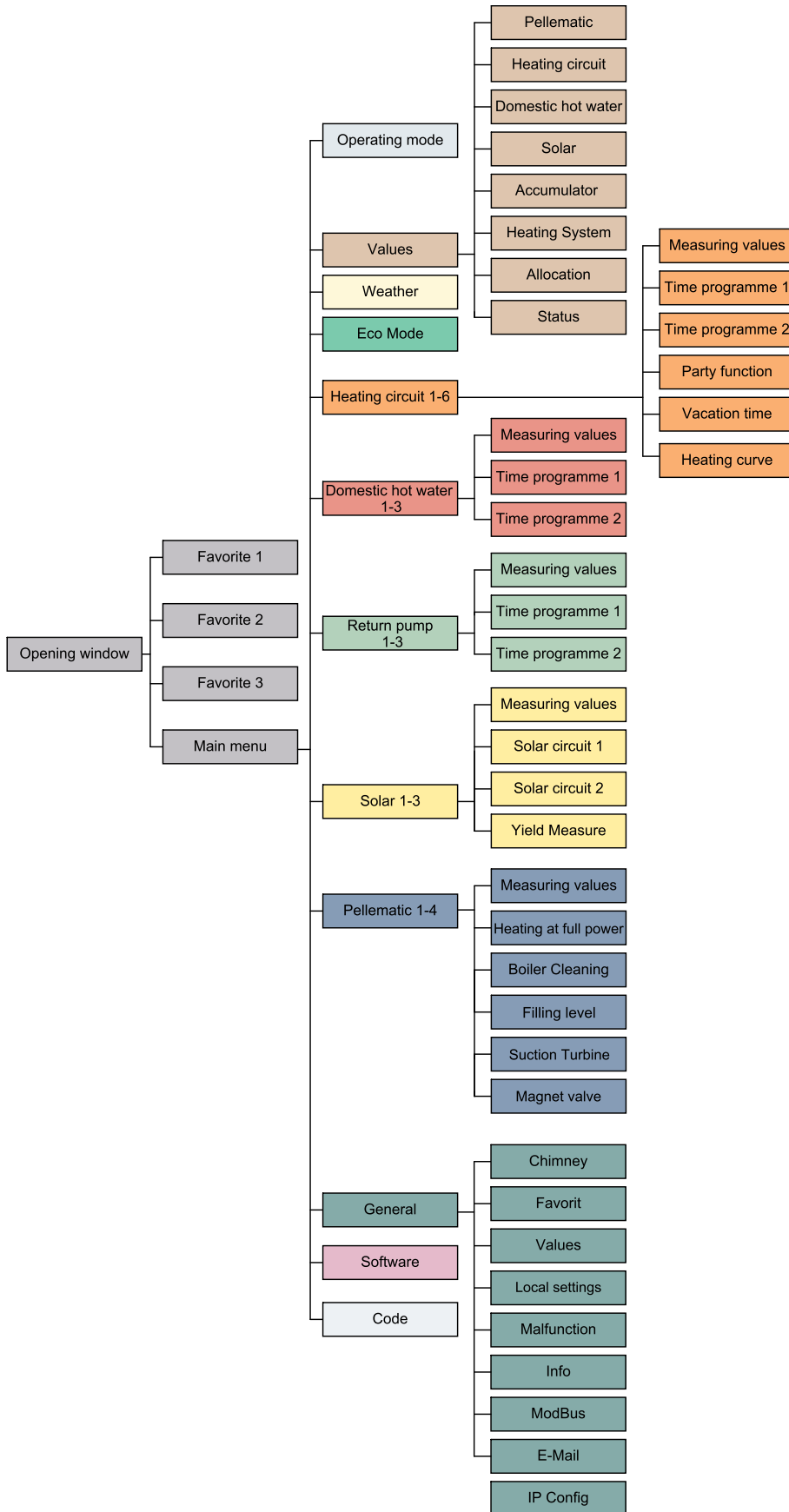
Although a scroll down menu is open, the navigation icons, menu items and parameters behind are active and by touching them it takes you directly there.

8.7 Main Menu

In the Main menu you see all submenus. By finger pressure on an icon you reach the respective submenu.



Menu navigation of Pelletronic Touch

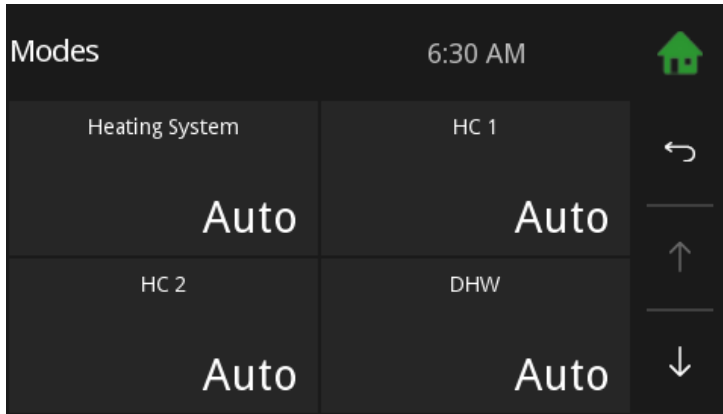


9 Mode

In the menu item Mode you can see the mode of your heating system and the mode of the heating circuits, domestic hot water and solar.



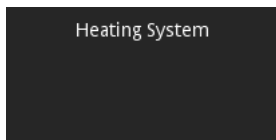
The menu item **Mode** is in the Main menu.



Overview of the operating modes

- Heating Plant
- Heating system 1-6 .
- Domestic hot water 1-3
- Solar 1-3

Choose the operating modes and make settings.



Off

The adjusted operating mode of the heating circuits and DHW is inactive.
The frost protection function is active.

Auto

The adjusted operating mode of the heating circuits and DHW is active.
The frost protection function is active.

DHW

The adjusted operating mode of the DHW is active.
The adjusted operating mode of the heating circuits is active.
The frost protection function is active.

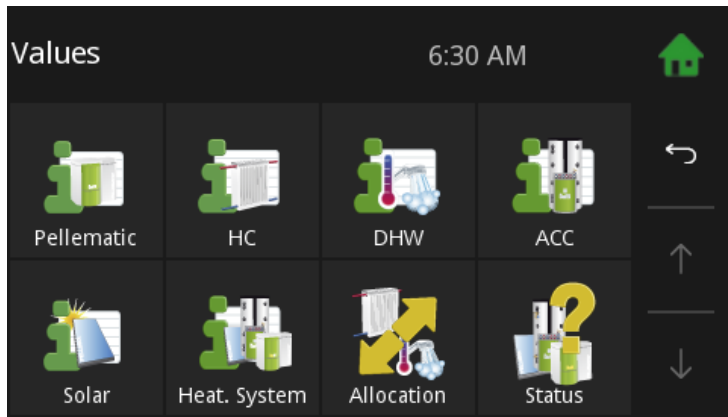
The operating mode heating circuits, domestic hot water and solar are described in the respective chapters.

10 Measuring Values

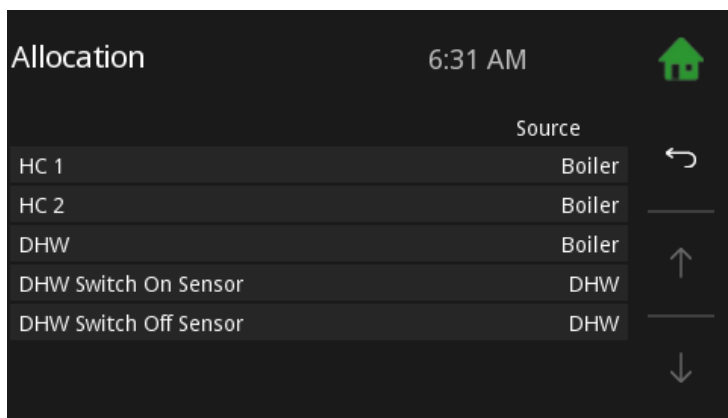
In the menu item of Measuring Values you see all actual and set values of your heating system.



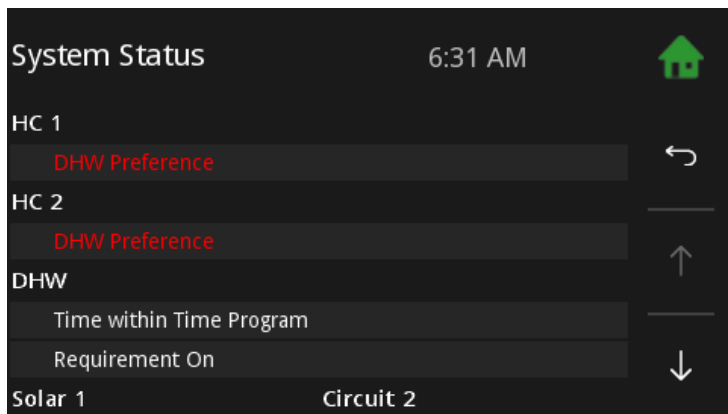
The menu item **Measuring Values** is in the Main menu.



- Pellematic
- Heating circuit
- Domestic hot water
- Solar
- Accumulator
- Return pump
- Heating Plant

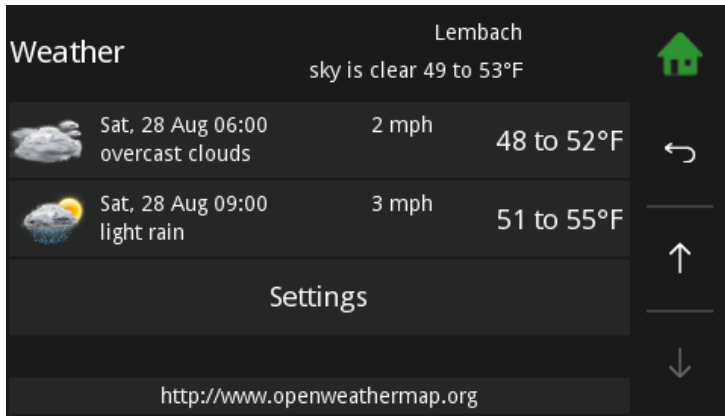


In the menu item **Allocation** you see which heating circuits are allocated to the boiler or to the accumulators.



In the menu item **Status** you always have an overview about the whole heating system.

11 Weather



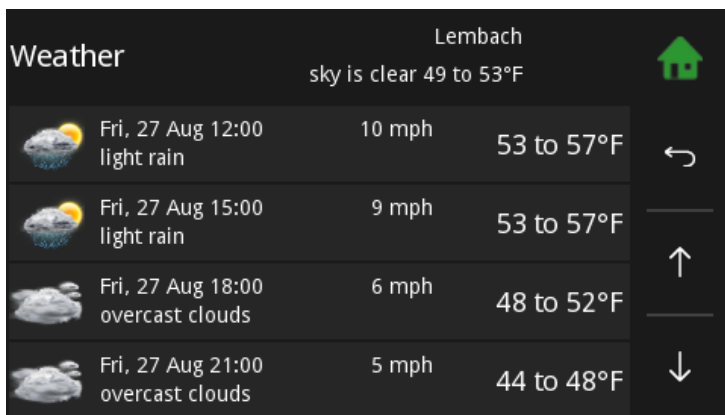
Choose **Settings** (↓), to enter your location.



Enter location and country. If the specified location is not found, enter a larger, nearby place.

Search with the following details:

- Postal code, location, country
- Postal code, country
- Location, country



Afterwards, weather data for the next 3 days are downloaded. An icon for the current weather is displayed on the opening window.

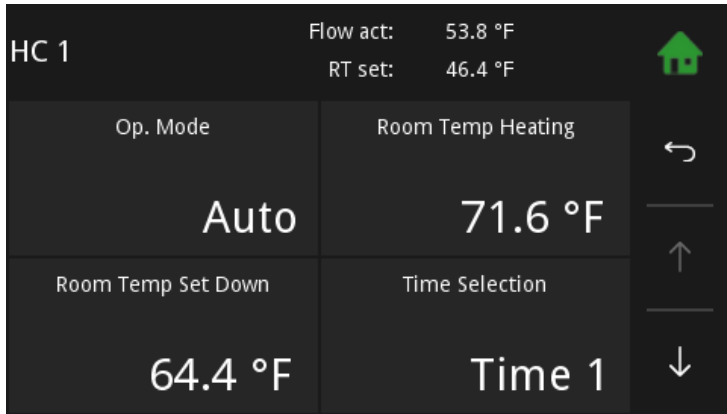
Note:
This feature requires an internet connection.

12 Heating Circuit

Heating Circuit encloses all for heating relevant parameters and settings. It can occur up to 6 menu items **Heating Circuit**.

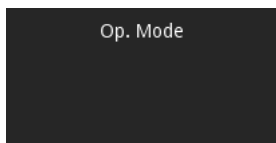


Heating Circuit is in the Main menu



Heating circuits settings has following menu items:

- Mode
- Room Temp Heating
- Room Temp Set back
- Time Allocation
- Values
- Time 1
- Time 2
- Party
- Vacation
- Heatingcurve



Off

Only the frost protection function is active.

Auto

The Furnace starts in the heating times according to the Set room temperature.

Heating

The Furnace heats constantly according to the Set room temperature.

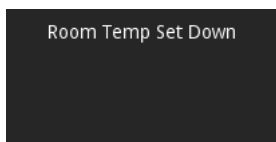
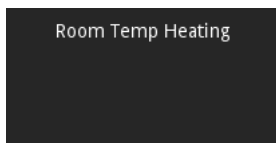
Set back

The Furnace heats constantly according to the Set back room temperature.

The operating mode of the heating circuits can only be changed if the plant operating mode is set to AUTO.

The adjusted heating limits and maximum flow temperatures are used in all operating modes.

Choose your room temperature (Temperature within the heating times).




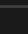


Choose Room Temp Set back (= Minimum temperature beyond the heating times).

12.1 Measuring values Heating circuit



Measuring values HC is in the Main menu.

Values		7:36 PM	
↳ HC		0 / 5	
Outside Temperature	11.0 °C		
Boiler Temperature	67.0 °C	70.0 °C	
Burner Contact	On		
HC1 Flow Temperature	45.0 °C	8.0 °C	
HC1 Room Temp	21.3 °C	8.0 °C	
HC1 Pump	Off		
HC1 Mixer	Off		

You see all to the Heating circuit corresponding measuring values:

- Actual value
- Set value
- Inputs (sensors)
- Outputs (pumps, mixer and motors)

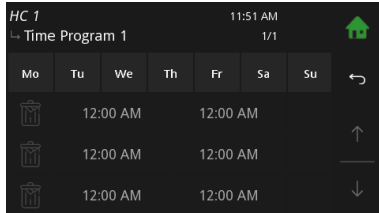
Outside Temperature	actual Outside Temperature
Boiler Temp	actual Boiler Temperature
Booster	Status (Booster On/Off)
Flow Temp	display of the flow temperature
Room Temp	display of the room temperature
Pump	Status (Pump On/Off)
Mixer	Status (Mixer On/Off)

12.2 Time programme Heating circuit

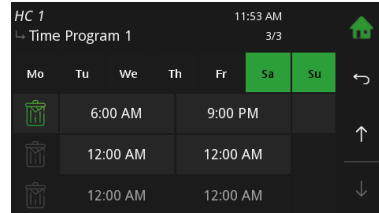
In the heating circuit time programme you fix the heating times.



Time 1 (=Time programme 1) and **Time 2** are in the menu Heating circuit.

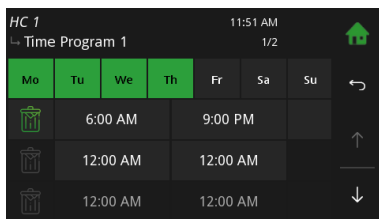


1 Select Time programme 1

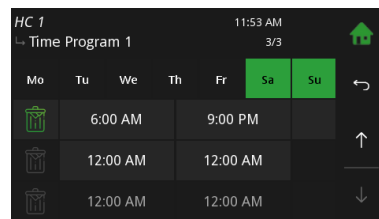


6 Mo-Fr were assigned heating times

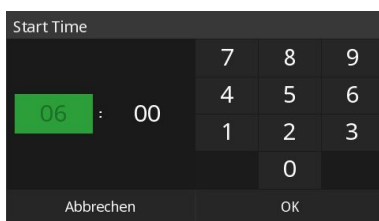
With you get to the remaining days Sa-Su.



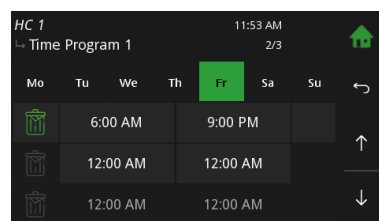
2 Select the heating days. The activated days are deposited in green.



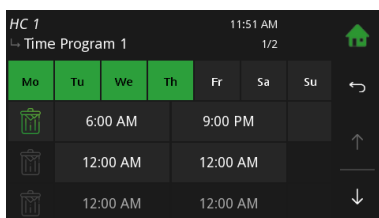
7 Sa-Su were assigned to heating times.



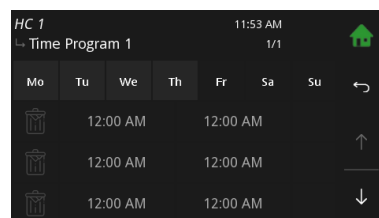
3 Enter the heating times for these heating days (Mo-Th).



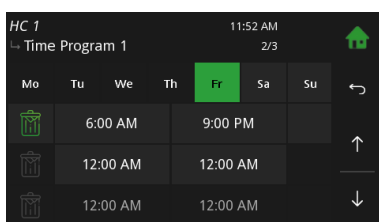
8 With and you switch between the heating blocks. You can deactivate heating days in the heating block and activate in another.



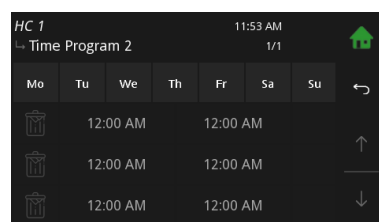
4 The heating times for Mo-Th are assigned. With you assign to days heating times further.



9 With you set all the heating times in the line and below to 0.



5 Friday was activated. Heating times were assigned.



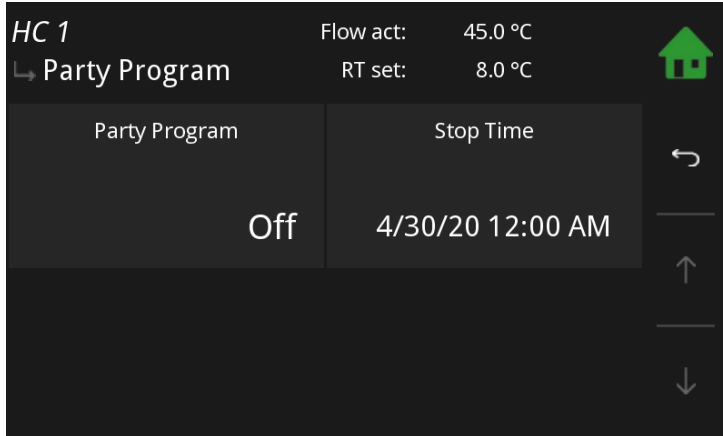
10 Go back with . Choose Time 2. For every heating circuit there are 2 time programmes. You can programme 2 time programmes. In the menu item **Time Allocation** you can activate time 1 or time 2.

12.3 Party

The party function extends the heating time once, without changing the heating times.



Party is in the Main menu.



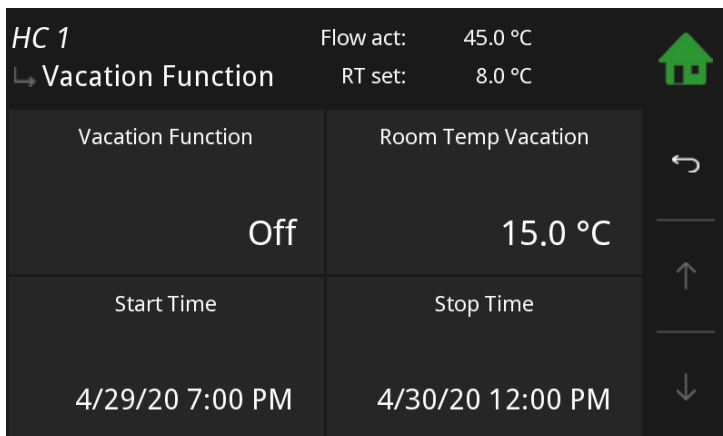
The party function is basically inactive. Enter the time until the room temperature heating should be heated. Activate the Party function. The heating time is extended up to the indicated time. Then the party function deactivates itself automatically.

12.4 Vacation

The holiday programme cancels the heating times and heats for the entered period on the set temperature level.



Vacation is in the Main menu.



Enter the room temperature on which in your absence the building should be heated. Enter the departure (start time) and return (finish date) and activate the vacation programme.

Note:

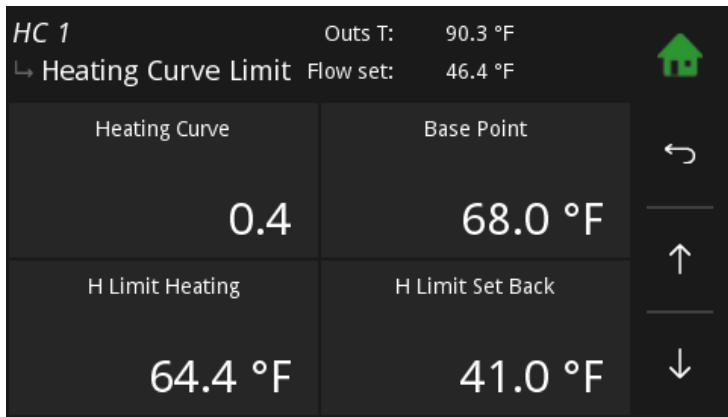
To return in an already tempered building, you must enter the day before the return as the finish date.

12.5 Heating curve and Heating limits

By starting up the first time, the authorised technical adviser adjusts the heating curve, the base point and the heating limits on the building situation and the hydraulics. If the Set room temperature is not reached or exceeded, adjust the heat curve with the flow temperatures according to outside temperatures.



Heating curve is in the menu Heating circuit.



Heating curve 0.0 - 4,0

The heating curve describes the combination between outdoor temperature and the associated flow temperature for a heating circuit.

Base point adjustable from 68 - 113°F

With the change the of base point, you provide a parallel shift of the heating curve.

H limit heating

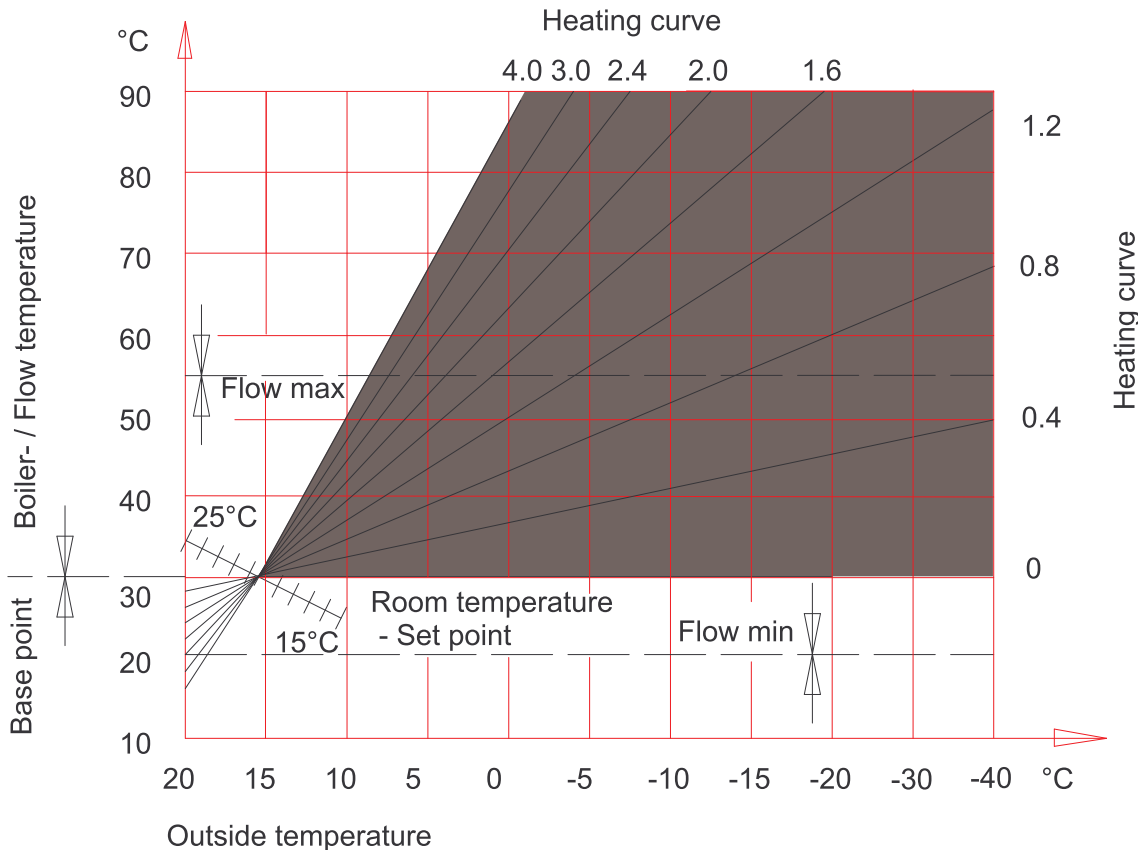
If the average outside temperature is higher than the set temperature, the heating circuit switches off in the heating mode.

H limit set temperature

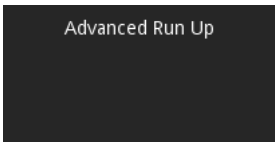
If the average outside temperature is higher than the set temperature, the heating circuit switches off in the Set back mode.

Adjustment of heating curve and the base point to the building

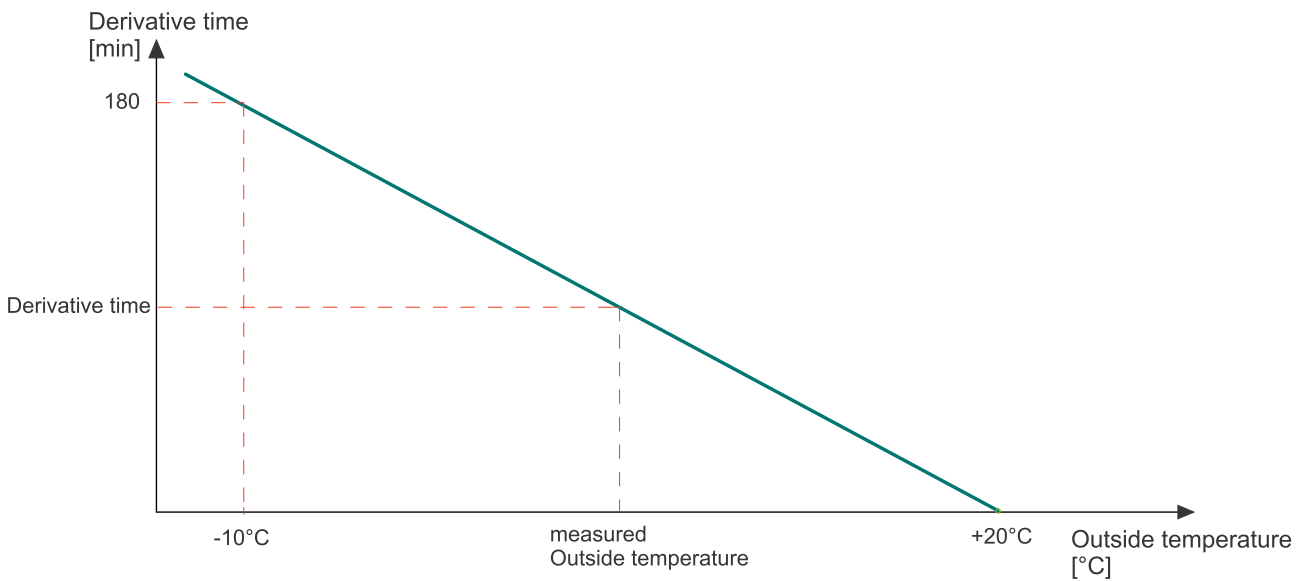
Because of the building’s thermal inertia, it is recommended to perform no more than one adjustment step per day.



Daytime outside temp	Room temperature	
	too warm	too cold
+5 to +15°C	Decrease heating curving value by 0,2	Increase heating curving value by 0.2
	Decrease base point value by 5°	Increase base point value by 5°
-20 to +5°C	Decrease heating curve value by 0.2	Increase heating curve value by 0.2



The advanced run up indicates how long the system has to heat before the start of the heating time, to reach the adjusted **roomtemp heating**.



Room thermostat influence

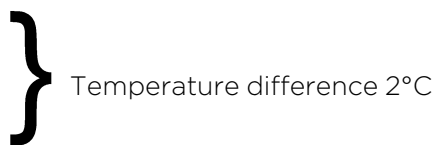
If the measured room temperature deviates from the set room temperature, the heating controller corrects the flow temperature with the Room thermostat influence. The Room thermostat influence indicates how much the flow temperature is raised or lowered so that the Set room temperature is reached.

Example:

Room temperature desired value = 20°C

Room temperature actual value = 18°C

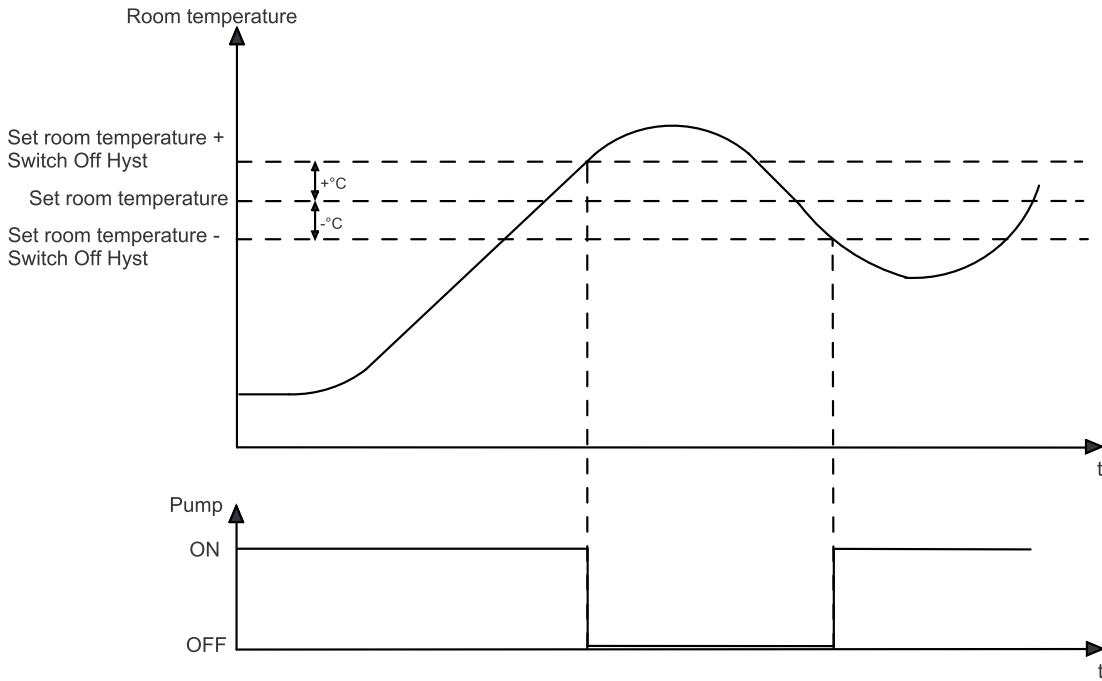
Room sensor influence = 3



Room sensor influence	*	Temperature difference	=	Advanced run up rise/reduction
3	*	2	=	6°C

Room temperature hysteresis

The Room temperature hysteresis prevents the cycling (On Off On Off...) of the heating circuit pump: If the Set room temperature + room temperature hysteresis is reached, the associated pump stops. If the Set room temperature is - 1°C, the pump switches on again.

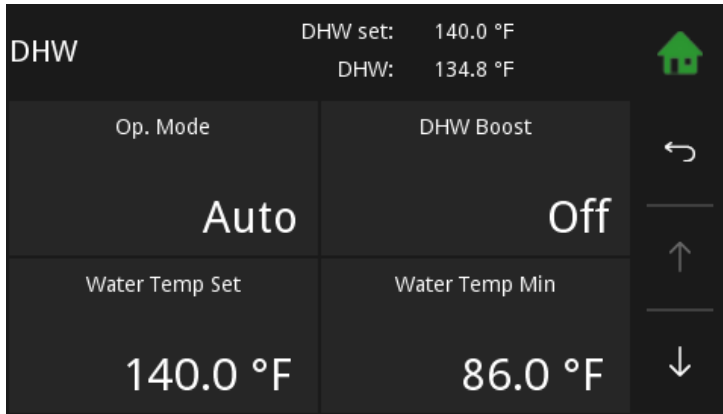


13 Domestic hot water

The menu Item **Domestic hot water** contains up to 3 submenu items.
Domestic hot water includes all, for the preparation of hot water, relevant parameters and settings.



Domestic hot water is in the main menu.



DHW settings has following menu items:

- Mode
- DHW Boost
- Water Temp Set
- Water Temp Min
- Time programme
- Values
- Time 1
- Time 2

Op. Mode

OFF Set water temperature is reduced to 46 °F for frost protection.

Auto The installation heats the water within the time programme to the **desired hot water temperature**. Outside the time programme the installation heats to **Watertemp min**

On The system heats up the domestic hot water continuously on the Water temp set.

You can change the mode domestic hot water only when the **Operation mode** is on **AUTO**.

Heats the hot water once on the Water temp set.

DHW Boost

Water Temp Set

Set the water temperature.

Water Temp Min

Set the minimum water temperature. The water temperature never falls below this value, unless the domestic hot water mode is on **OFF**.

Time Selection

Activate **Time 1** (= Time programme 1) and **Time 2**.



You are able to see a list of all measuring values that are involved in the menu domestic hot water.



In the DHW time programme you set the times of the hot-water processing. The DHW time programme works the same way like the heating circuit time programme. See chapter [12.2 Time programme Heating circuit, page 38](#)

13.1 Measuring values Domestic hot water



Measuring values DHW is in the Main menu.

Values		7:38 PM		0 / 5	
↳ DHW					
Outside Temperature	11.0 °C				
Boiler Temperature	67.0 °C	70.0 °C			
Burner Contact	On				
DHW1 Temperature	56.0 °C	60.0 °C			
DHW1 Pump	On				
ACC1 TPO	72.0 °C	8.0 °C			
ACC1 TPM	65.0 °C	8.0 °C			

You see all the Heating circuit corresponding measuring values:

- Actual value
- Set value
- Inputs (sensors)
- Outputs (pumps, mixer and motors)

13.2 Time programme DHW

In the DHW time programme you set the times for the hot-water processing.



Time 1 (=Time programme 1) and **Time 2** are in the menu **Domestic hot water**.

DHW 1		7:38 PM		1 / 1		
↳ Time Program 1						
Mo	Tu	We	Th	Fr	Sa	Su
	6:00 AM		9:00 PM			
	12:00 AM		12:00 AM			
	12:00 AM		12:00 AM			

The domestic hot water time programme works the same way like the heating circuit time programme.

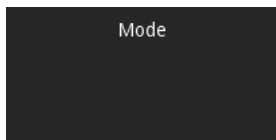
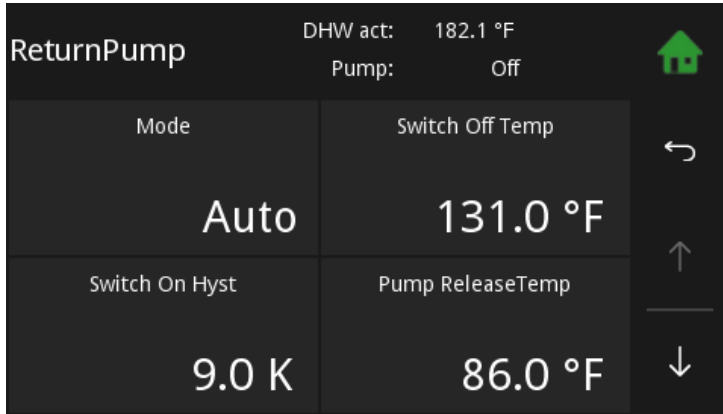
14 DHW Return pump



DHW Return pump is in the Main Menu.

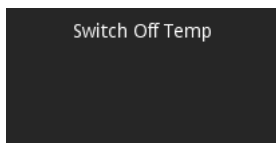
The Return pump enables the immediate DHW tap of the water taps. DHW Return pump has following menu items:

- Mode
- Switch off temperature
- Switch on hysteresis
- Time allocation
- Values
- Time 1
- Time 2

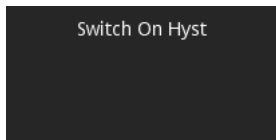


Off DHW Return pump inactive

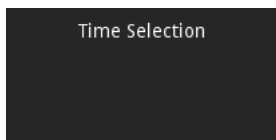
Auto Temperature regulation within the time programme



If the return temperature sensor of the DHW Return pump reaches the **Switch off temperature**, the pump switches off.



If the return temperature falls below the switch off temperature – the DHW Return pump switches on again!



Choose the time programme 1 or 2.

You see all the DHW pump corresponding measuring values.



Set the run times of the Return pump. The return pump – time programme works the same way like the heating circuit time programme.

Note:

A **Return Pump** and a **booster** rule out each other.

14.1 Measuring values DHW Return pump



Measuring values DHW Return pump is in menu DHW Return pump.

Values		12:04 PM	
↳ ReturnPump		0 / 5	
Outside Temperature	6.9 °C		
Boiler Temperature	26.3 °C	8.0 °C	
Burner Contact	Off		
Existing Boiler	61.0 °C		
Switching Valve	On		
SHHT-1#58EFD0#	50.5 %	25.5 °C	
SHEM-3#DC4F22764744#	0.0 W	0.0 W	

You see all the Heating circuit corresponding measuring values:

- Actual value
- Set value
- Inputs (sensors)
- Outputs (pumps, mixer und motors)

14.2 Time programme DHW return pump

In the Time Programme DHW Return Pump you set the times for the hot water in the water purchasers.



Time 1 (=Time programme 1) and Time 2 are in the menu DHW return pump.

ReturnPump		12:04 PM					
↳ Time Program 1		1/1					
Mo	Tu	We	Th	Fr	Sa	Su	
		6:00 AM			9:00 PM		
		12:00 AM			12:00 AM		
		12:00 AM			12:00 AM		

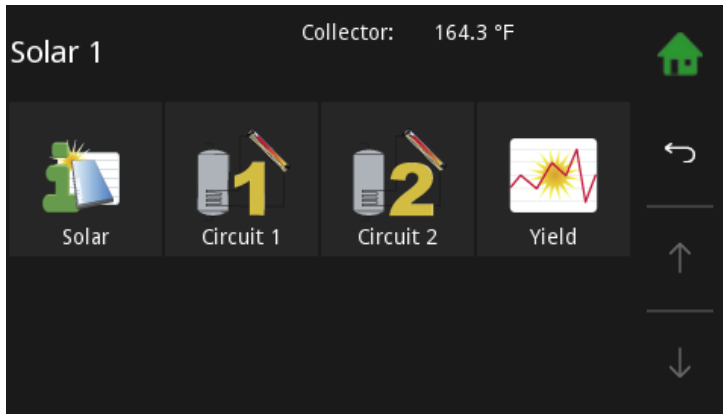
The DHW return pump time programme works the same way like the heating circuit time programme.

15 Solar

Solar includes all relevant parameters and settings for the solar thermal system. You can control up to 6 solar circuits.



Solar is in the Main menu.



Solar has following menu items:

- Measuring values Solar
- Solar circuit 1-2
- Solar energy- yield

15.1 Measuring values Solar



Measuring values Solar is in the menu Solar.



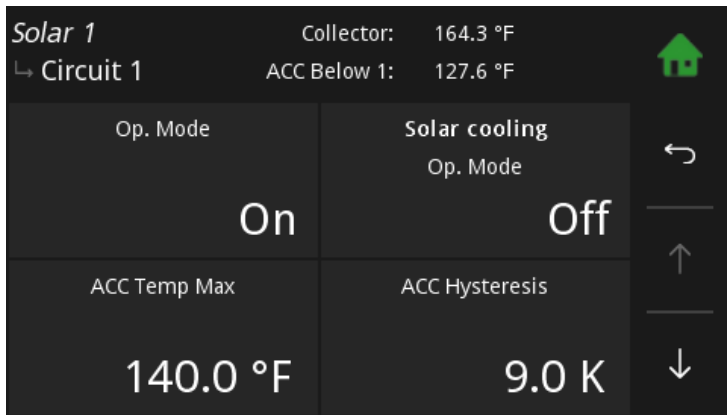
It displays all measuring values of Solar:

- Actual values
- Set values
- Inputs (sensors)
- Outputs (pumps, mixer and motors)

15.2 Solar circuit

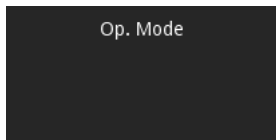


Solar circuit 1 and 2 are in menu Solar.



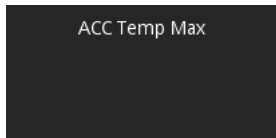
Solar circuit has following menu items:

- Operation Mode
- ACC Temp Max
- ACC Hysteresis
- Collector Hyst On
- Collector Hyst Off

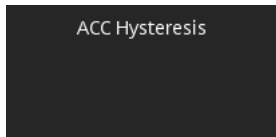


Off: No charge

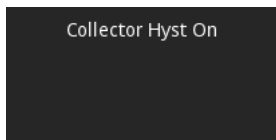
On: Charge as long as **Collector temperature + hysteresis** is lower than the temperature of the **Adj ACC sensor below** or the **ACC temp max**



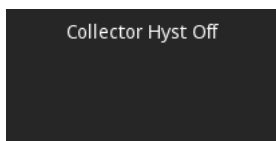
If the temperature in the ACC is higher than the ACC temp Max, the solar pump switches off. The limit sensor measures the temperature in the ACC.



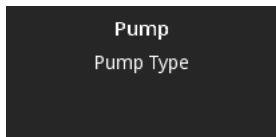
The solar circuit pump is switched off due to the ACC temp Max is reached. The temperature must fall under ACC temp Max minus hysteresis, then the solar circuit pump switches on again. The hysteresis prevents a solar pump cycling (On Off On Off).



If the temperature difference between the collector sensor and TPU, ACC lower sensor is higher than the Coll Hyst A, the solar pump switches On.



If the temperature difference between the collector sensor and TPU, ACC lower sensor is lower than the Coll Hyst A, the solar pump switches Off.



The menu **Pumptype** contains the following modes:

Asynchronous: Asynchronous pump – direct output 230VAC on/off

Async.Regulated: Asynchronous pump – pulsed output 230VAC

Heating Efficient: PWM1 - PWM signal inverted

Solar Efficient: PWM2 - PWM direct signal

Note:

When using a A-class pump as **Accumulator pump** the pump cannot be regulated from Solar circuit 2.

NOTICE

Material damage by false selection of pump!

15.3 Yield - Solar Energy

This function measures the yield of the solar thermal system and displays current energy and logs previous days.

For the function solar energy it is necessary to install:

- Pulse volume meter (must be connected to **24 VOLT** and **Z_IN**)
- Flow temperature sensor
- Return temperature sensor



Yield - Solar Energy is in the menu Solar.

Solar 1		Collector:	164.3 °F
↳ Yield Measure			
Current			0.0 kW
Yield - Day			0.0 kWh
Yield - Day Before			0.0 kWh
Yield Since	1/1/12		0.0 kWh
Flow Rate			0.00 l/min
Flow Temperature			155.3 °F
Return Temperature			132.1 °F

Yield measuring of solar energy has following menu items:

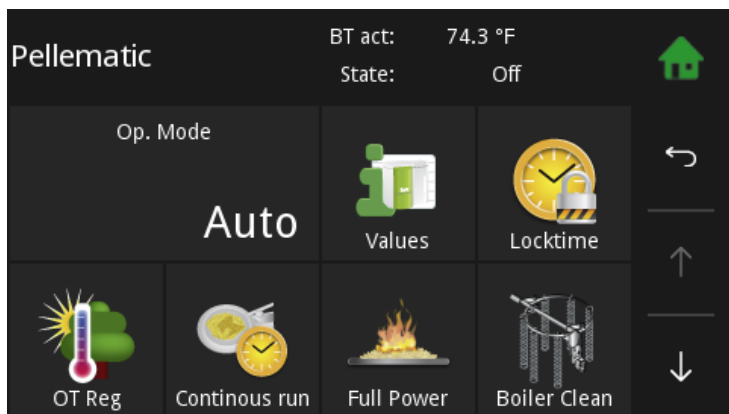
- Actual
Display of the current solar energy, refreshes every 60 sec.
- Yield - Day
Display of todays solar energy since 00:00.
- Yield - Day before
Display of yesterdays solar energy.
- Yield since
Display of the solar energy since the last set date.
- Flow rate
Display of the current flow rate, refreshes every 60 sec.
- Flow temperature
Display of the current flow temperature
- Return temperature
Display of the current return temperature

16 Pellematic

Pellematic includes all the relevant parameters and settings for the control of the pellet boiler. There are up to 4 Pellematic boilers possible.



Pellematic is in the Main menu.



16.1 Measuring values



Measuring values is in the menu Pellematic.

Values		7:27 AM	
Pellematic		1 / 5	
Outside Temperature	90.3 °F		
Boiler Temperature	74.3 °F	46.4 °F	
Burner Contact	Off		
Existing Boiler	141.8 °F		
Switching Valve	On		
SHHT- 1#F3AD7E#	32.0 °F		
ACC1 TPO	124.9 °F	46.4 °F	

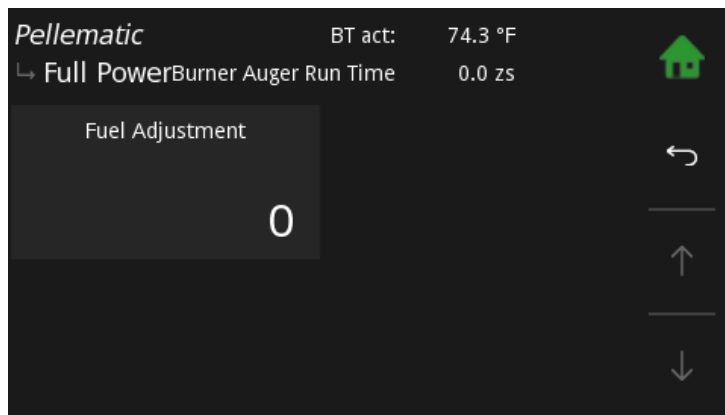
It displays all measuring values of Pellematic:

- Actual values
- Set values
- Inputs (sensors)
- Outputs (pumps, mixer and motors)

16.2 Full Power



Full Power is in the menu Pellematic

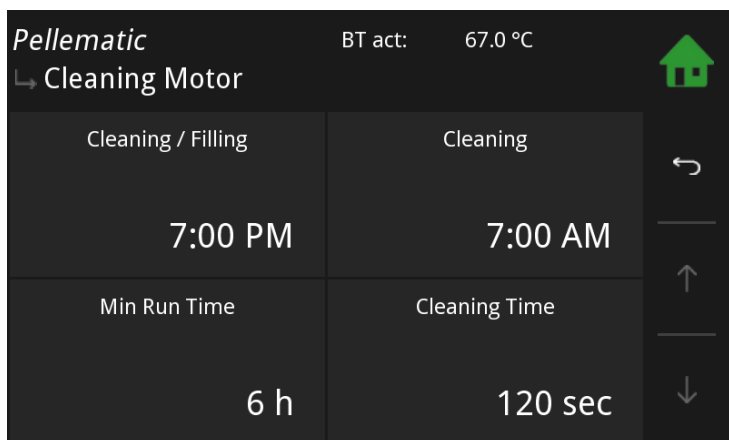


In the menu item Full Power can you adjust the fuel feed.

Fuel Adjustment:

The burner auger run time is calculated automatically by the PLC depending on the rated power and the boiler setpoint temperature. The burner motor is controlled accordingly. You can reduce or increase the value calculated by the PLC 10 steps up or down.

16.3 Boiler cleaning



Cleaning / Filling

The value to be set is the time (full hour) at which the boiler cleaning sequence is performed. On vacuum systems the hopper is also filled at the same time, regardless of whether it is empty or not.

Cleaning

You can set in **Cleaning/Filling** a second cleaning sequence. The value to be set is the time (full hour) at which the additional boiler cleaning sequence is performed. Example: 20h = additional boiler cleaning sequence performed at 20:00. On vacuum systems the hopper is also filled at the same time, regardless of whether it is empty or not.

Default value -1h: It is not performed a second cleaning sequence.

Min Run Time

Min Run Time of the boiler until next cleaning sequence. Value adjustable.

Cleaning Time

Duration of the boiler cleaning sequence in seconds. Value adjustable.

16.4 Level detection system



Weight system (Menu is only displayed when the function Network is activated in the menu General.



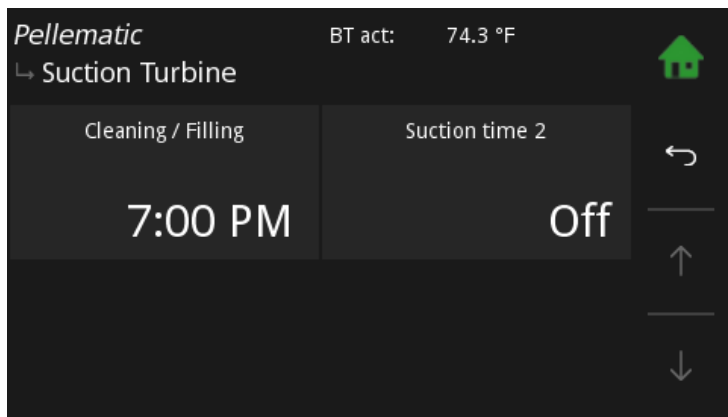
Threshold

The threshold value, **Minimum weight** for a warning message, is adjustable. The warning message appears on the operating device and will be terminated when filling level rises above the adjusted Minimum weight.

Note:

Only displayed if mode is set on **Textile tank**

16.5 Suction turbine



Cleaning / Filling

Set a Time (full hours), at which the hopper gets refilled, regardless how full it is at this time.

At the same time the purification of the boiler will take place.

Suction time 2

On When this menu point is activated, a field appears for specifying the 2nd daily suction time.

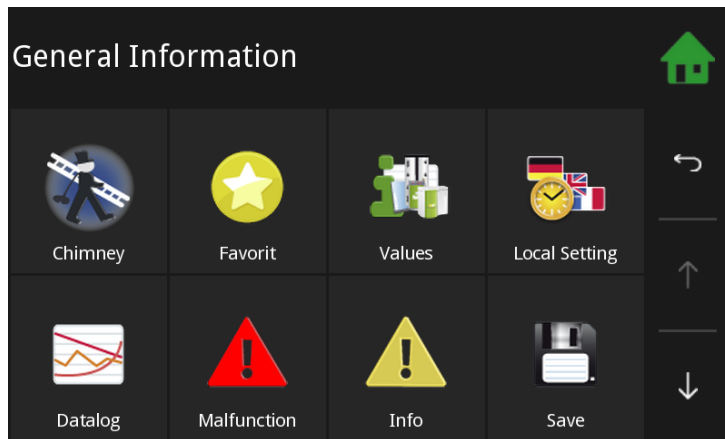
Off No 2nd suction time

17 General

General includes the complete heating control related settings and individual operating options for the customer.



General is in the Main menu.



The menu **General** includes:

- Chimney
- Favorit
- Values
- Local setting
- Datalog
- Malfunction
- Info
- Save
- Load
- ModBUS
- E-Mail
- IP Config
- Settings

17.1 Chimney

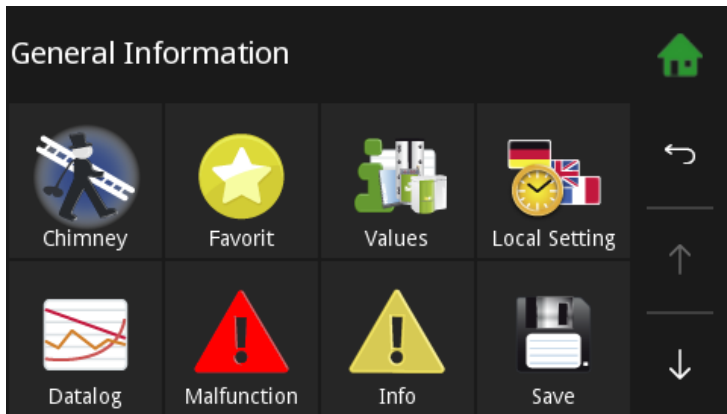
The function chimney is only for chimney draughts and authorized service technicians. It is used for the measurement of exhaust gas.

Note:

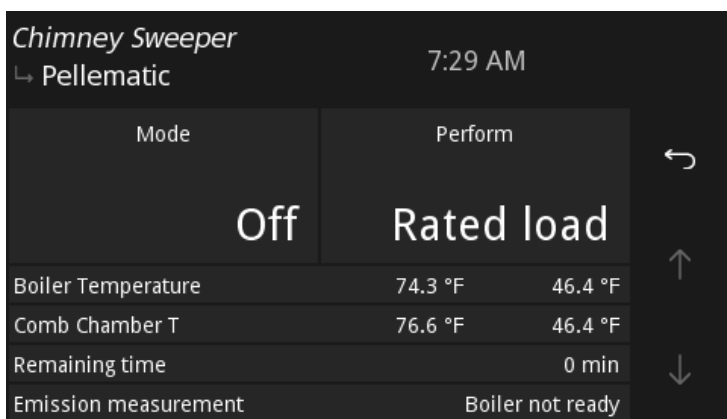
The Chimney Sweep function is inactive without the Pelletronic Heating Controller.



The menu item **Chimney** is situated in the menu General.



Please choose the function **Chimney**.

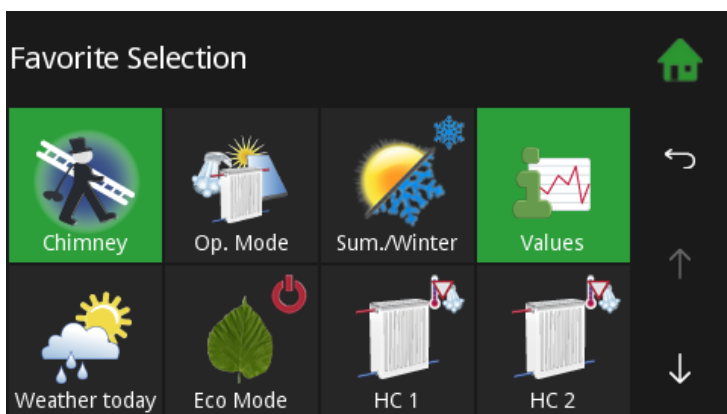


- The Furnace temperature is set to 140 °F for a total runtime of 30 minutes.
- You also can see actual Furnace temperature and the rest of the time limit.
- After the expiry of the time limit the function chimney ends. time of expiry the operation Chimney sweeper ends.
- The button Cancel ends the function Chimney.

17.2 Favorite



Favorite is in the menu General.



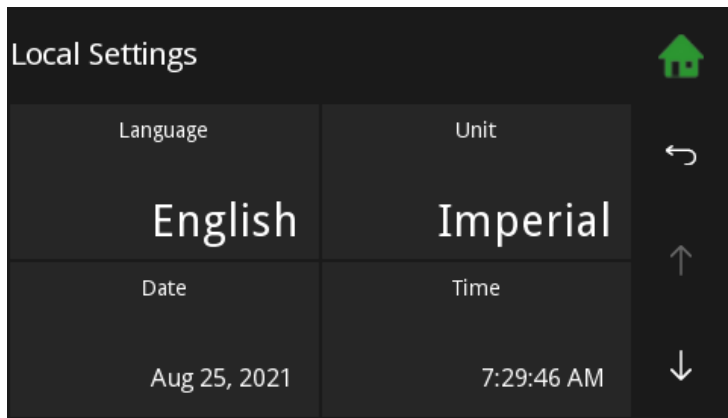
With this function you can display most commonly used menus in the start menu. This enables you a direct access. Select the menu item that should be displayed as a favorite 1 in the Start menu.

The selected item is green and the icon is displayed in the Start menu and is active.

17.3 Local Settings

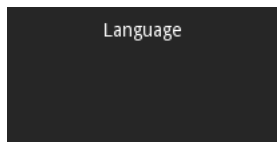


Local Settings is in the menu General.

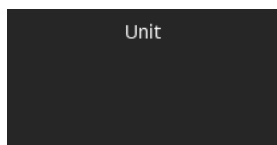


Local Settings has following menu items:

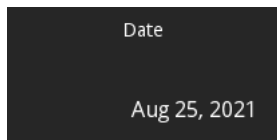
- Language
- Unit
- Date
- Time



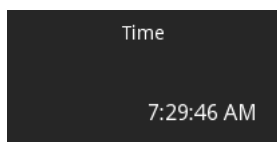
Choose between the languages German, English UK, English U.S. French, Spanish, Italian, Dutch, Danish and Russian.



You can choose between isometric and imperialist number system.



Set the current date.



Set the current time.

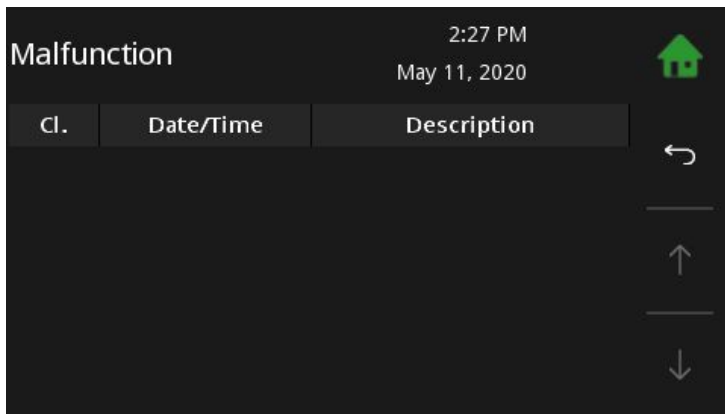
17.4 Malfunction



Malfunction is in the menu General.



Fault messages can be overlaid on all menu items and appear immediately if a fault occurs. Every fault message appears with the date, time and name on the display. It remains until it is acknowledged.



The menu remains the fault incident reports, as long as they are corrected up.

17.4.1 Malfunction report

This is a list of all malfunction reports on the display.

Code	Display	Input / Output		Affected element	Solution table
1001	HC1 Flow BC	X4 or X5		Heating controller	13.1a
1002	DHW1 OnSensor BC	X6			
1003	Outside Sensor BC	X2			
1004	Boiler Sensor BC	X3			
1008	TPO1 BC	X7			
1009	TPM1 BC	X8			
1010	Collektor1 BC	X15		Heating controller	13.2a
1011	TPU1 BC	X9 or X10		Heating controller	13.1a
1012	Flow Energy1 BS	X16			
1013	Return Energy1 BS	X17			
1014	ExistBoiler1 BS	X13			
1017	Cascade OnSensor BC	X3 or X7			
1018	Cascade OffSensor BC	X3 or X8			
1019	Circulation Return1 BC	X14			

Code	Display	Input / Output		Affected element	Solution table		
1020	DHW1 Off Sensor BC	X6 or X7, X8, X9					
2001	HC1 Flow SC	X4 or X5		Heating controller	13.1b		
2002	DHW1 OnSensor SC	X6					
2003	Outside Sensor SC	X2					
2004	Boiler Sensor SC	X3					
2008	TPO1 SC	X7					
2009	TPM1 SC	X8					
2010	Collektor1 SC	X15				Heating controller	13.2b
2011	TPU1 SC	X9 or X10		Heating controller	13.1b		
2012	Flow Energy1 SC	X16					
2013	Return Energy 1 SC	X17					
2014	ExistBoiler1 SC	X13					
2017	Cascade OnSensor SC	X3 or X7					
2018	Sonde arrêt cascade CC	X3 or X8					
2019	Circulation Return1 SC	X14					
2020	DHW1 Off Sensor SC	X6 or X7, X8, X9					
3001	HC1 Flow	X4 or X5		Heating controller	13.1c		
3002	DHW1 OnSensor	X6					
3003	Outside Sensor	X2					
3004	Boiler Sensor	X3					
3008	TPO1	X7					
3009	TPM1	X8					
3010	Collektor1	X11		Heating controller	13.2c		
3011	TPU1	X9 or X10		Heating controller	13.1c		
3012	Flow Energy1	X16					
3013	Return Energy1	X17					
3014	ExistBoiler1	X13					
3017	Cascade OnSensor	X3 or X7					
3018	Cascade OffSensor	X3 or X8					
3019	Circulation Return1	X14					
3020	DHW1 Off Sensor	X6 or X7, X8, X9					
4005	BUS HCR 1	X1A or X1B				BUS-Network RS485	13.3
4006	BUS PE 1	X1A or X1B					
4007	BUS Remote 1	X1A or X1B					
4015	BUS Remote Touch 1	X1A or X1B					
4016	BUS Master	X1A or X1B					
4021	BUS Radio Remote 1	X1A or X1B					
5000	PE1 Reserve sensor1 BS	R1		Boiler Controller	13.1a		
5001	PE1 Reserve sensor1 SC	R1		Boiler Controller	13.1b		
5002	PE1 Reserve sensor2 BS	R2		Boiler Controller	13.1a		

Code	Display	Input / Output		Affected element	Solution table
5003	PE1 Reserve sensor2 SC	R2		Boiler Controller	13.1b
5004	PE1 Outside sensor BS	AF		Boiler Controller	13.1a
5005	PE1 Outside sensor SC	AF		Boiler Controller	13.1b
5006	PE1 Boiler sensor BS	KF		Boiler Controller	13.1a
5007	PE1 Boiler sensor SC	KF		Boiler Controller	13.1b
5008	PE1 Fluegas sensor BS	RGF		Boiler Controller	13.4
5009	PE1 Fluegas sensor SC	RGF			
5010	PE1 Combustion sensor BS	FRT			
5011	PE1 Combustion sensorSC	FRT			
5012	PE1 Underpressure box BS	UP		Boiler Controller	13.5
5013	PE1 Underpressure box SC	UP			
5014	PE1 Analog input1 BS	AE1		Boiler Controller	13.6
5015	PE1 Analog input1 SC	AE1			
5016	PE1 Analog input2 BS	AE2			
5017	PE1 Analog input2 SC	AE2			
5018	PE1 Motor turbine	VAK		Boiler Controller	13.7
5019	PE1 Ignition	ZUEND		Boiler Controller	13.8
5020	PE1 Motor ashbox	AV		Boiler Controller	13.9
5021	PE1 Motor res 1	RES1		Boiler Controller	13.10
5022	PE1 Magnetic valve	MA		Boiler Controller	13.8
5023	PE1 Motor cleaning	RM			
5024	PE1 Flue gas fan	SZ		Boiler Controller	13.9
5025	PE1 Cirkulationspump	UW			
5026	PE1 Motor ext auger1	RA		Boiler Controller	13.11
5027	PE1 Motor ext auger2	ZW		Boiler Controller	13.9
5028	PE1 Motor between	RES1		Boiler Controller	13.12
5029	PE1 Motor boiler auger	ES		Boiler Controller	13.9
5030	PE1 Combustion Fan	LUFT			
5032	PE1 Emergency stop	NOT		Boiler Controller	13.13
5033	PE1 Max temp sensor	STB			
5034	PE1 Ignition fault	generic		Boiler Controller	13.14
5036	PE1 Low flame temp				
5038	PE1 Firedamper open	BSK 1 2		Boiler Controller	13.15
5039	PE1 Firedamper closed	BSK 3 4			
5040	PE1 Firedamper end switch	BSK 1 2 3 4			

Code	Display	Input / Output		Affected element	Solution table
5041	PE1 Low underpressure	UP, SZ, LUFT		Boiler Controller	13.5
5042	PE1 Low underpressure	UP, SZ, LUFT			
5043	PE1 Vacuum system	KAPZW, RA		Boiler Controller	13.16
5044	PE1 Ashbox full	ESAV, AV		Boiler Controller	13.17
5045	PE1 Ball lock	DE1		Boiler Controller	13.18
5047	PE1 Burner Motor	ES		Boiler Controller	13.19
5048	PE1 Burner gas open-circuit	RGF		Boiler Controller	13.4
5049	PE1 Burner gas short-circuit				
5052	PE1 Container cover open	AK		Boiler Controller	13.20
5053	PE1 ash warning	ESAV, AV		Boiler Controller	13.17
5054	PE1 pellets warning	AE1		Boiler Controller	13.21
5055	Error Output VAK	VAK		Boiler Controller	13.22
5056	Error Output ZUEND	ZUEND		Boiler Controller	13.23
5057	Error Output AV	AV		Boiler Controller	13.24
5058	Error Output RES2	RES2		Boiler Controller	13.25
5059	Error Output MA	MA		Boiler Controller	13.26
5060	Error Output RA	RA		Boiler Controller	13.27
5061	Error Output SM	SM		Boiler Controller	13.28
5062	Error Output SZ	SZ		Boiler Controller	13.29
5063	Error Output UW	UW		Boiler Controller	13.30
5064	Error Output LUFT	LUFT		Boiler Controller	13.31
5065	Error Output RA1	RA1		Boiler Controller	13.32
5066	Error Output RES1	RES1		Boiler Controller	13.33
5067	Error Output ZW	ZW		Boiler Controller	13.34
5068	Error Output ES	ES		Boiler Controller	13.35

13.1a Sensors KTY2K - Heating controller + Boiler Controller (Fault 1001 to 1020 and 5000 to 5007) - Sensor break

Type of fault	Sensor break		
Code:	1001	HC1 Flow BC	X4
	1002	DHW1 OnSensor BC	X6
	1003	Outside Sensor BC	X2
	1004	Boiler Sensor BC	X3
	1008	TPO1 BC	X7
	1009	TPM1 BC	X8
	1011	TPU1 BC	X9
	1012	Flow Energy1 BS	X16
	1013	Return Energy1 BS	X17
	1014	ExistBoiler1 BS	X13
	1017	Cascade OnSensor BC	X3
	1018	Cascade OffSensor BC	X3
	1019	Circulation Return1 BC	X14
	1020	DHW1 Off Sensor BC	X6
	5000	PE1 Reserve sensor1 BS	R1
	5002	PE1 Reserve sensor2 BS	R2
	5004	PE1 Outside sensor BS	AF
5006	PE1 Boiler sensor BS	KF	
Description:	Measuring circuit of KTY sensor is open		
Cause and Remedy:	sensor not connected	▶	connect sensor, check plug
	sensor defect	▶	measure sensor (approx. 2kΩ at 77 °F) replace if required
	sensor cable defect	▶	replace sensor
	sensor temperature too high	▶	sensor temperature above measuring range (>230 °F)

13.1b Sensors KTY2K - Heating controller + Boiler Controller (Fault 2001 to 2020 and 5000 bis 5007) - short circuit

Type of fault	Short circuit		
Code :	2001	HC1 Flow SC	X4
	2002	DHW1 OnSensor SC	X6
	2003	Outside Sensor SC	X2
	2004	Boiler Sensor SC	X3
	2008	TPO1 SC	X7
	2009	TPM1 SC	X8
	2011	TPU1 SC	X9
	2012	Flow Energy1 SC	X16
	2013	Return Energy 1 SC	X17
	2014	ExistBoiler1 SC	X13
	2017	Cascade OnSensor SC	X3
	2018	Sonde arrêt cascade CC	X3
	2019	Circulation Return1 SC	X14
	2020	WW1 Aus Fühler KS	X6
	5001	PE1 Reserve sensor1 SC	R1
	5003	PE1 Reserve sensor2 SC	R2
	5005	PE1 Outside sensor SC	AF
5007	PE1 Boiler sensor SC	KF	
Description:	Measuring circuit of KTY sensor is shorted out		
Cause and Remedy:	Sensor defect	▶	Measure sensor (approx. 2k Ω at 77 °F), replace if required
	Sensor cable defect	▶	Replace sensor
	Sensor temperature too low	▶	Sensor temperature below measuring range (< 14 °F)

13.1c Sensors KTY2K - Heating controller + Boiler Controller (Fault 3001 to 3020) - other faults

Type of fault	Other faults		
Code:	3001	HC1 Flow	X4
	3002	DHW1 OnSensor	X6
	3003	Outside Sensor	X2
	3004	Boiler Sensor	X3
	3008	TPO1	X7
	3009	TPM1	X8
	3011	TPU1	X9
	3012	Flow Energy1	X16
	3013	Return Energy1	X17
	3014	ExistBoiler1	X13
	3017	Cascade OnSensor	X3
	3018	Cascade OffSensor	X3
	3019	Circulation Return1	X14
	3020	DHW1 Off Sensor	X6
Cause and Remedy:	Sensor defect	▶	Measure sensor (approx. 2kΩ at 77 °F), replace if required
	Sensor cable defect	▶	Replace sensor
	Sensor input defect	▶	Replace Boiler controller

13.2 Kollektor sensor (Fault 1010, 2010, 3010)

Display:	[1010] Kollektor BC		
Description:	Collector sensor fracture, measuring circuit of collector sensor (X15) is open		
Cause and Remedy:	Sensor not connected	▶	Check and correct wiring
	Sensor defect	▶	Measure sensor (approx. 1,1kΩ at 77 °F), replace if required
	Sensor cable defect	▶	Replace sensor
Display:	[2010] Kollektor SC		
Description:	Measuring circuit of collector sensor (X15) is shorted out		
Cause and Remedy:	Sensor defect	▶	Measure sensor (approx. 1,1kΩ at 77 °F), replace if required
	Sensor cable defect	▶	Replace sensor
Display:	[3010] Kollektor		
Description:	Other fault at input X15		
Cause and Remedy:	Sensor defect	▶	Replace sensor
	Sensor cable defect	▶	Replace sensor
	Input on heating controller defect	▶	Replace input on heating controller

13.3 Bus (Fault 4005, 4006, 4007, 4015, 4016)

Display:	[4005] BUS HCR		
Description:	Time-Out of BUS-connection from touch operating device to heating controller		
Cause and Remedy:	Wrong cable connection	▶	Check cable connection
	No power supply available	▶	Connect heating controller to BUS
	Fuse in heating controller defect	▶	Replace fuse
Display:	[4006] BUS PE		
Description:	Time-Out of BUS-connection from touch operating device to boiler controller		
Cause and Remedy:	Wrong cable connection	▶	Check cable connection
	No power supply available	▶	Connect heating controller to power supply (X21)
	Fuse in heating F2 defect	▶	Replace fuse F2
Display:	[4007] BUS Remote		
Description:	Time-Out of BUS-connection of remote control		
Cause and Remedy:	Wrong cable connection	▶	Check cable connection
	Remote controll defect	▶	Replace remote controll
Display:	[4015] BUS Remote Touch		
Description:	Time-Out of BUS-Connection from remote controll to Touch operating device		
Cause and Remedy:	Wrong cable connection	▶	Check cable connection
	Wrong softwareversion	▶	Check version of software
Display:	[4016] BUS Master		
Description:	Missing BUS connection to master-operating device		
Cause and Remedy:	Wrong cable connection	▶	Check cable connection

13.4 Combustion chamber sensor (Fault 5010, 5011, 5048, 5049)

Display:	[5010] PE Combustion sensor BS		
Description:	Combustion chamber sensor fracture, measuring circuit from combustion chamber sensor is open - Input FRT		
Cause and Remedy:	Sensor not connected	▶	Connect sensor at input
	Sensor defect	▶	Measure sensor (approx. 5 mV at 257 °F) replace if required
	Sensor cable defect	▶	Replace sensor
	Sensor temperature too high	▶	Sensor temperature above measuring range (2012 °F)
Display:	[5011] PE Combustion sensor SC		
Description:	Combustion chamber sensor short circuit, measuring circuit from combustion chamber sensor short circuit - Input FRT		

Cause and Remedy:	Sensor defect	▶	Measure sensor (approx. 5 mV at 257 °F) replace if required
	Sensor cable defect	▶	Replace sensor
	Sensor temperature too low	▶	Sensor temperature below measuring range (14 °F)
	Sensor polarity reversed	▶	Change sensor connection + and -
Display:	[5048] PE Burner gas open-circuit (only SMART without combustion chamber sensor)		
Description:	Burner gas sensor fracture, measuring circuit of Burner gas sensor is open - Output RGF		
Cause and Remedy:	Sensor not connected	▶	Connect sensor at input
	Sensor cable defect	▶	Replace sensor
	Sensor defect	▶	Measure sensor (NiCrNi) replace if required
	Sensor temperature too high	▶	Sensor temperature above measuring range (2012 °F)
Display:	[5049] PE Burner gas short-circuit (only SMART without combustion chamber sensor)		
Description:	Burner gas sensor short circuit, measuring circuit of Burner gas sensor short circuit - Output RGF		
Cause and Remedy:	Sensor defect	▶	Measure sensor (approx. 5mV at 257 °F) replace if required
	Sensor cable defect	▶	Replace sensor
	Sensor temperature too low	▶	Sensor temperature below measuring range (14 °F)
	Sensor polarity reversed	▶	Change sensor connection + and -

13.5 Underpressure box (Fault 5012, 5013, 5041, 5042)

Display:	[5012] PE Underpressure box BS		
Description:	Negative draft input open, measuring circuit from negative draft measurement open - Input UP		
Cause and Remedy:	Signal incorrect	▶	Check poarity and signal (0-10V)
	Signal cable defect	▶	Replace sensor
	No signal	▶	Replace underpressure box
	Combustion chamber leak	▶	Check total closure of boiler door

Display:	[5013] PE Underpressure box SC		
Description:	Negative draft input short-circuit, measuring circuit from negative draft measurement is shorted out - Input UP		
Cause and Remedy:	Signal incorrect	▶	Check poarity and signal (0-10V)
	Signal cable defect	▶	Replace sensor
	Signal too high	▶	Signal above 10V
Display:	[5041] [5042] PE Low underpressure		
Description:	Negative draft pressure in boiler is not achieved [5041] or is too high [5042] - Exit LUFT (SMART + Condens) / Output SZ (PE+PEK)		
Cause and Remedy:	Negative draft tube disconnected	▶	Connect up negative draft tube
	Negative draft does not change	▶	Check negative draft tube for leaks. Check flue gas tube for blockage.
	Negative draft pressure too low	▶	Close boiler door, check tube to negative draft sensor, check whether boiler flue gas outlet is clear, check whether condensation heat exchanger is clear. Make sure flue gas fan is running.
	Negative draft pressure too high	▶	Check induced draft blower

13.6 Analog input (Fault 5014, 5015, 5016, 5017)

Display:	[5014] / [5016] PE Analog input 1/2 BS		
Description:	Analog input 1/ 2 sensor fracture, measuring circuit of Analog input sensor open - Output AE1 / AE2		
Cause and Remedy:	Signal incorrect	▶	Check poarity and signal (0-10V)
	Signal cable defect	▶	Replace sensor
	Level detection system activated (valid for AE2)	▶	Check settings
Display:	[5015] / [5017] PE Analog input 1 /2 SC		
Description:	Analog input 1 / 2 sensor short circuit, measuring circuit of Analog input sensor is shorted out - Input AE1/AE2		
Cause and Remedy:	Signal incorrect	▶	Check poarity and signal (0-10V)
	Signal cable defect	▶	Replace sensor
	Signal too high	▶	Signal above 10V

13.7 Motor turbine (Fault 5018)

Display:	[5018] PE Motor Turbine		
Description:	Vaccuum turbine not running (Exit VAK)		
Cause and Remedy:	Motor unplugged	▶	Plug in motor, check cable connections
	Motor defect	▶	Replace motor
	Fuse F1, suction circuit board defective	▶	Replace fuse

13.8 Output 230V (Fault 5019, 5022, 5023)

Display:	[5019] PE Ignition [5022] PE Magnetic valve [5023] PE Motor cleaning		
Description:	No function of output ZUEND (Ignition)/MA (Magnetic valve)/ RM (Motor cleaning)		
Cause and Remedy:	Output unplugged	▶	Connect plug, check cable wiring
	Current value above the maximal Limit	▶	Check limits
	Current value under the minimal Limit	▶	Check limits

13.9 Output 230V-2 (Fault 5020, 5024, 5025, 5027, 5029, 5030)

Display:	[5020] PE Motor ashbox (Output AV) [5024] PE Flue gas fan (Output SZ) [5025] PE Cirkulationspump (Output UW) [5027] PE Motor ext auger2 (Output RES2) [5029] PE Motor boiler auger (Output ES) [5030] PE Combustion Fan (Output LUFT)		
Description:	No function of the respective motor/pump/fan		
Cause and Remedy:	Motor/pump/fan unplugged	▶	Connect plug, check cable wiring
	Motor/pump/fan defect	▶	Replace motor/pump/fan

13.10 Zwischenbehälter leer - Motor res 1 (Fault 5021)

Display:	[5021] PE Hopper empty / Motor RES1 (for 36-56 kW, Pellematic Condens or PEB)		
Description:	No function of PE motor res 1		
Cause and Remedy:	Motor unplugged	▶	Plug in motor, check cable connections
	Motor defect	▶	Replace motor
	No pellets available	▶	Refill storage-Room / supply tank

13.11 Motor extraction auger 1 - RA (Fault 5026)

Display:	[5026] Motor ext auger1		
Description:	Storage room auger 1 motor defect - Output RA		
Cause and Remedy:	Motor unplugged	▶	Plug in motor, check cable connections
	motor is jammed	▶	Remove pellets and dust from auger and make sure auger rotates freely
	Motor defect	▶	Replace motor
	Thermic contact triggered	▶	Let motor cool down
	Motor not running	▶	Check thermic contact

13.12 Hopper motor (Fault 5028)

Display:	[5028] Hopper motor		
Description:	Hopper suction fan fault. Output RES1.		
Cause and Remedy:	Motor unplugged	▶	Plug in motor, check cable connections
	Motor defect	▶	Replace motor

13.13 Emergency OFF/ Safety temperature (Fault 5032, 5033)

Display:	[5032] Emergency OFF - NOT AUS		
Description:	Emergency OFF has been actuated - Input NOT-AUS		
Cause and Remedy:	Emergency OFF unplugged	▶	Connect up Emergency OFF and check cable connections
	Emergency OFF button has been pressed	▶	Reset Emergency OFF switch
	Emergency OFF defect	▶	Replace Emergency OFF switch
Display:	[5033] Safety temperature - STB		
Description:	Safety temperature limiter has tripped - Input STB		
Cause and Remedy:	Safety temperature limiter unplugged	▶	Connect up safety temperature limiter and check cable connections
	Safety temperature limiter has tripped	▶	Let boiler cool down and reset safety temperature limiter
	Safety temperature limiter defect	▶	Replace safety temperature limiter
	A 230V Output is defect	▶	Check 230V Outputs

13.14 Temperature Combustion chamber sensor/Flue gas sensor (Fault 5034, 5036)

Display:	[5034] PE Ignition fault / Pellets available?		
Description:	Minimum temperature Combustion chamber sensor/Flue gas sensor not reached during the ignition phase		
Cause and Remedy:	No pellets available	▶	Fill up with pellets
	Ignition electrode defect	▶	Check ignition electrode (approx. 200Ω) replace if required
	Ignition nozzle blocked	▶	Clean burner plate and ignition tube

	Not enough draught	▶	Check ventilation flap, funktion radial fan, draught free
	Flue gas sensor or flamm-roomtemperature-sensor soiled	▶	Check Flue gas sensor or flammroom-temperature-sensor
Display:	[5036] PE Flame supervision fault		
Description:	Flame supervision fault, minimum flue gas temperature not reached during heating up at full power - Input FRT		
Cause and Remedy:	No pellets available	▶	Fill up with pellets

13.15 Flame return gate BSK (5038, 5039, 5040)

Display:	[5038] PE Flame return gate open		
Description:	Flame return gate open fault (BSK - 1 2)		
Cause and Remedy:	Flame return gate unplugged	▶	Connect up flame return gate and check cable connections
	Flame return gate does not reach OPEN limit switch	▶	Check ball valve to see if it is jammed
	No signal although open	▶	Check cables and flame return gate
	STB on the burner has triggered	▶	Surface temperature of the burner is too high
Display:	[5039] PE Flame return gate closed		
Description:	Flame return gate open fault		
Cause and Remedy:	Flame return gate unplugged	▶	Connect up flame return gate and check cable connections
	Flame return gate does not reach CLOSE limit switch	▶	Check whether ball valve is jammed, check ball valve throughway to see if foreign objects are preventing it from closing
	No signal although closed	▶	Check cables and flame return gate
	STB on the burner has triggered	▶	Surface temperature of the burner is too high. The boiler switches to fault mode.
Display:	[5040] PE Flame return gate limit switch		
Description:	Both flame return gate limit switches (BSK 1-2 and BSK 3-4) are closed at the same time		
Cause and Remedy:	Both limit switches activated	▶	Check flame return gate, check cables, check connectors

13.16 Suction system (Fault 5043)

Display:	Suction system		
Description:	Hopper cannot be filled up even after 3 suction cycles		
Cause and Remedy:	Storage room empty	▶	Fill up with pellets
	Extraction system is blocked	▶	Clear extraction system

	Extraction system not conveying pellets	▶	Pellet bridge - destroy bridge and make sure material flows properly
	Suction fan unplugged	▶	Connect up suction fan
	Storage room auger motor unplugged	▶	Connect up storage room motor

13.17 Ashbox full (Fault 5044) - Ash Warning (Fault 5053)

Display:	[5044] PE Ashbox full		
Description:	Moter doesn't reach the normal speed after 3 attempts.		
Display:	[5053] PE Ash Warning		
Description:	Ash-box nearly full		
Cause and Remedy:	Ash-box full	▶	Clear ash-box
	Ash-box not completely closed	▶	Close ash-box
	End-switch defect	▶	Replace end-switch

13.18 Ball lock (Smart and Condens only - Fault 5045)

Display:	[5045] PE Ball lock - Smart and Condens only		
Description:	No pellets detected from capacitive sensor (KAP RA)		
Cause and Remedy:	Pellet reserves depleted	▶	Refill storage-Room / supply tank
	Capacitive sensor RA defect	▶	Replace Capacitive sensor RA

13.19 Burner Motor / Ash box full (SMART and Condens only - Fault 5047)

Display:	[5047] Burner Motor /Ash box full - SMART only		
Description:	The alarm text is displayed after the motor has made 3 unsuccessful attempts to reach the normal speed of the external de-ashing system.		
Cause and Remedy:	Ash box is full	▶	Empty ash box
	Rotation of burner auger or ash auger is blocked	▶	Ensure rotation of auger

13.20 Container cover open (PEB only - Fault 5052)

Display:	[5052] PE Container cover open		
Description:	Container cover open (PEB only) - Input AK		
Cause and Remedy:	Cover open	▶	Close cover
	End-switch defect	▶	Replace end-switch

13.21 Pellets Warning (Fault 5054)

Display:	[5054] PE 1 Pellets Warning		
Description:	Measured pellets capacity (AE2) is below the threshold		
Cause and Remedy:	Pellets nearly empty or empty	▶	Fill up with pellets

	Sensor unpugged (AE2)	▶	Connect plug
	Parameter set incorrectly	▶	Check settings in menu Level detection system (protected access)

13.22 Error Output VAK (Fault 5055)

4005

Display:	[5055] Error Output VAK		
Cause and Remedy:	Output defect, incorrect wiring	▶	Check cable connection / Replace Boiler Controller

13.23 Error Output ZUEND (Fault 5056)

Display:	[5056] Error Output ZUEND		
Cause and Remedy:	Output defect, incorrect wiring	▶	VCheck cable connection / Replace Boiler Controller

13.24 Error Output AV (Fault 5057)

Display:	[5057] Error Output AV		
Cause and Remedy:	Output defect, incorrect wiring	▶	Check cable connection / Replace Boiler Controller

13.25 Error Output RES2 (Fault 5058)

Display:	[5058] Error Output RES2		
Cause and Remedy:	Output defect, incorrect wiring	▶	Check cable connection / Replace Boiler Controller

13.26 Error Output MA (Fault 5059)

Display:	[5059] Error Output MA		
Cause and Remedy:	Output defect, incorrect wiring	▶	Check cable connection / Replace Boiler Controller

13.27 Error Output RA (Fault 5060)

Display:	[5060] Error Output RA		
Cause and Remedy:	Output defect, incorrect wiring	▶	Check cable connection / Replace Boiler Controller

13.28 Error Output SM (Fault 5061)

Display:	[5061] Error Output SM		
Cause and Remedy:	Output defect, incorrect wiring	▶	Check cable connection / Replace Boiler Controller

13.29 Error Output SZ (Fault 5062)

Display:	[5062] Error Output SZ		
Cause and Remedy:	Output defect, incorrect wiring	▶	Check cable connection / Replace Boiler Controller

13.30 Error Output UW (Fault 5063)

Display:	[5063] Error Output UW		
Cause and Remedy:	Output defect, incorrect wiring	▶	Check cable connection / Replace Boiler Controller

13.31 Error Output LUFT (Fault 5064)

Display:	[5064] Error Output LUFT		
Cause and Remedy:	Output defect, incorrect wiring	▶	Check cable connection / Replace Boiler Controller

13.32 Error Output RA1 (Fault 5065)

Display:	[5065] Error Output RA1		
Cause and Remedy:	Output defect, incorrect wiring	▶	Check cable connection / Replace Boiler Controller

13.33 Error Output RES1 (Fault 5066)

Display:	[5066] Error Output RES1		
Cause and Remedy:	Output defect, incorrect wiring	▶	Check cable connection / Replace Boiler Controller

13.34 Error Output ZW (Fault 5067)

Display:	[5067] Error Output ZW		
Cause and Remedy:	Output defect, incorrect wiring	▶	Check cable connection / Replace Boiler Controller

13.35 Error Output ES (Fault 5068)

Display:	[5068] Error Output ES		
Cause and Remedy:	Output defect, incorrect wiring	▶	Check cable connection / Replace Boiler Controller

17.5 Information

Information is in the menu General.

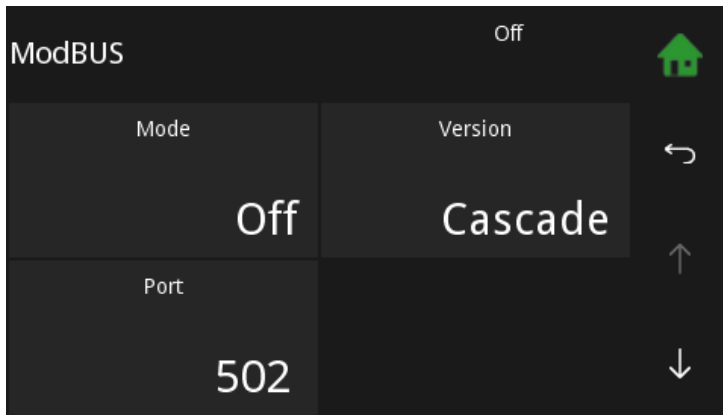
Kl.	Zeit	St.	Beschreibung
⊖	06.06.17 03:45	Ⓞ	External Error [4022]
⊖	06.06.17 03:44	Ⓞ	External Error [4022]
⊖	06.06.17 03:43	Ⓞ	External Error [4022]
⊖	31.05.17 21:41	Ⓞ	BUS HCR 1 [4005]

In the menu item information are all faults listed chronologically.

The fault texts have 3 status

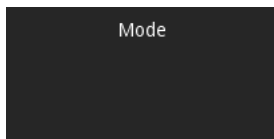
- C.....COME - when the fault occurs
- Q.....QUIT - when the fault has been rectified
- G.....GONE - when the fault has been reset by pressing ENTER

17.6 ModBUS

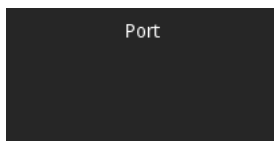


Note:

The Modbus registers may be set not less than two hours in cyclic operation, otherwise the life span of the operating device can decrease.

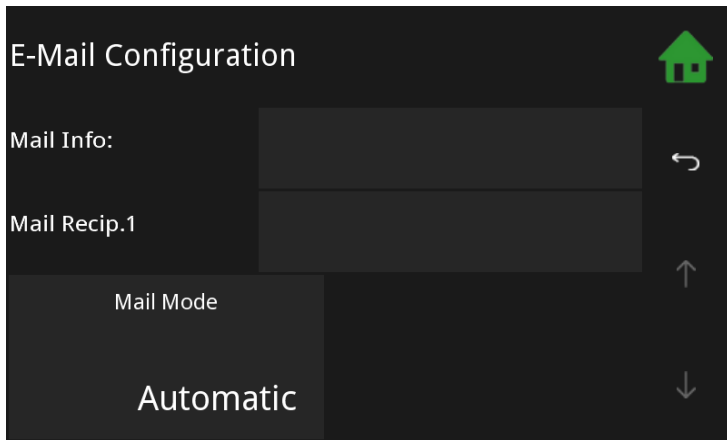


Off
TCP Server



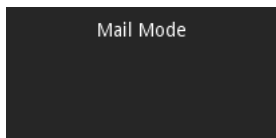
Defaultport for ModBUS is 502.

17.7 E-Mail

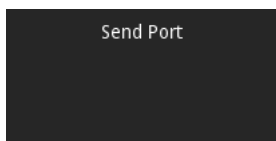


Delivery of disturbance-emails is done through an Maine Energy system server.

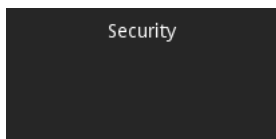
Only the recipient address needs to be configured.



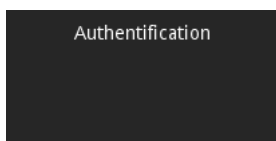
To ensure maximal flexibility, E-mail settings can set individually.



Port used for sending email (depends on provider).



Select encryption mode (specified by provider).




Authentication as specified by provider.

17.8 IP Config



IP Config is the menu General. (The menu item IP Config is only displayed if it has been activated by a qualified person)

Network Configuration 


↳ Not connected.




IP:	10	.	1	.	1	.	1	↩
NM:	255	.	255	.	255	.	0	↑
GW:	1	.	0	.	0	.	0	
D1:	1	.	2	.	3	.	4	↓

After calling up the menu, a connection check is made.

If this is successful, "Connected to LAN and Internet" is displayed.

Network Configuration

↳ Not connected. 

IP:	10	.	1	.	1	.	1	
NM:	255	.	255	.	255	.	0	
GW:	1	.	0	.	0	.	0	
D1:	1	.	2	.	3	.	4	

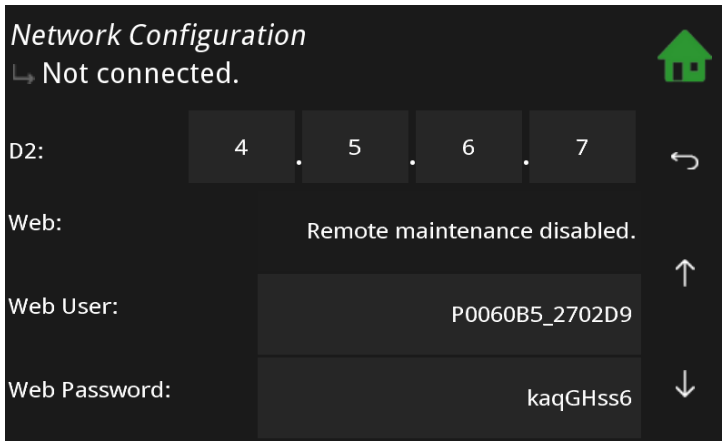
Insert the **IP (Address)**, **NM (Netmask)** and **GW (Gateway)**, D1 (in most cases similar to GW) and **D2 (optional)**.

IP: IP address in the local network

NM: Networkmask is required in the local network.

GW: The gateway enables the touch operating device the access to the internet.

D1, D2: Server, which provide routing information



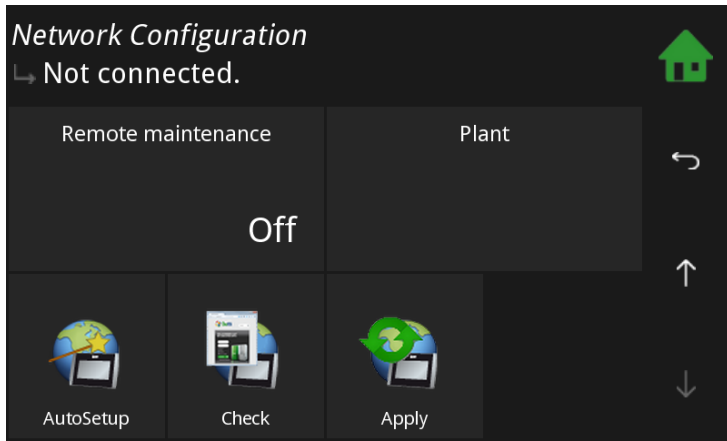
Set **DHCP On** or **Off** depending on your network.

Enter the **Port** (Default **80**).

Web: IP address in local network

Web User: Networkmask is required in local network

Web Password: The gateway enables the touch operating device the access to the internet.



Activate optionally the **Ping** function.

NOTICE

To prevent the modem from switching into standby mode, a ping command is executed every 10 minutes.

You get the data from your network technician.

Configuration

This menu item is only active when a compatible USB wireless adapter is connected. (not every wireless stick works with the Touch operating device)
By default, this item is hidden and located in LAN mode.
If the wireless mode is enabled, a password box appears.

DHCP

Dynamic address assignment on the local network (should be disabled if possible).

WiFi

If a WLAN stick is recognized and supported, an Additional LAN & WLAN button appears.

Password

Password of router.

Port

0

Address extension with which the touch remote control is accessible.
In principle, you can make your own choice, certain ports are associated with special services, e.g. 25 Mail, 80 Web and so on.

Ping

The ping prevents the internet connection from being closed by the router.
Therefore a query to the Maine Energy Systems server is started at certain time intervals.
So the router detects that the connection is still active.


 Remote maintenance
Automatic

This will attempt to automatically set up the router using the UPNP protocol port forwarding. If this service is disabled on the router or doesn't work properly, it is canceled accompanied by an appropriate error message. As this function is time-consuming (may take a few minutes), it is running in the background. Whatever the UPNP If available, the Touch operating device registers on the Maine Energy Systems remote control server with it's current external IP Address. In case of change of address by the external provider, this is detected and sent to the server Maine Energy Systems.

Manual

In this mode, the port forwarding must be set manually. (for lack of UPNP) The port of the touch panel must correspond to the external shared port. The touch then registers with the external IP address and port on Ök-oFEN remote maintenance server. In case of change of address by the external provider, this is detected and sent to the Maine Energy Systems server.

Static

In this mode, no connection data is transferred to the Maine Energy Systems server and the online service of Maine Energy Systems can not be used. But the remote controll of the Touch operating device remains active and can be uses as before via port forwarding, DynDns, fixed external IP, LAN and so on.

Remote maintenance access

This function determines the network settings automatically. For this the DHCP mode is activated and the required settings are set automatically. Afterwards DHCP is deactivated. Because of this, the IP address of the contol unit can change.

The settings are set as follows:

- DHCP Off
- Ping On
- Port 8080
- Remote maintenance: Automatic

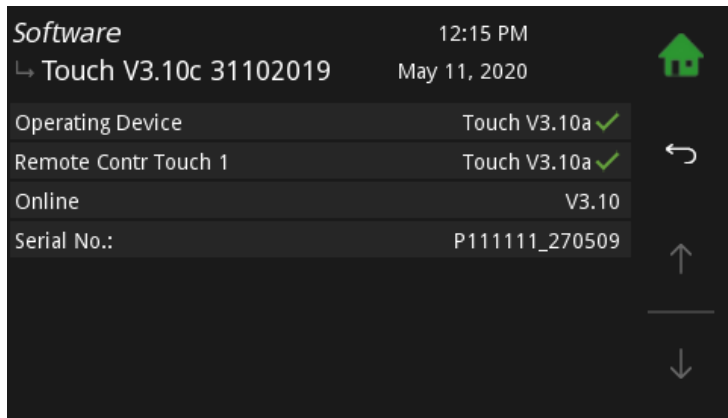


Back to the menu **General**.

18 Software



Software is in the Main menu.



Software shows you the name of the current software.

19 Emptying the ash pan

CAUTION

Risk of burns
Do not touch the boiler vessel. Use gloves.

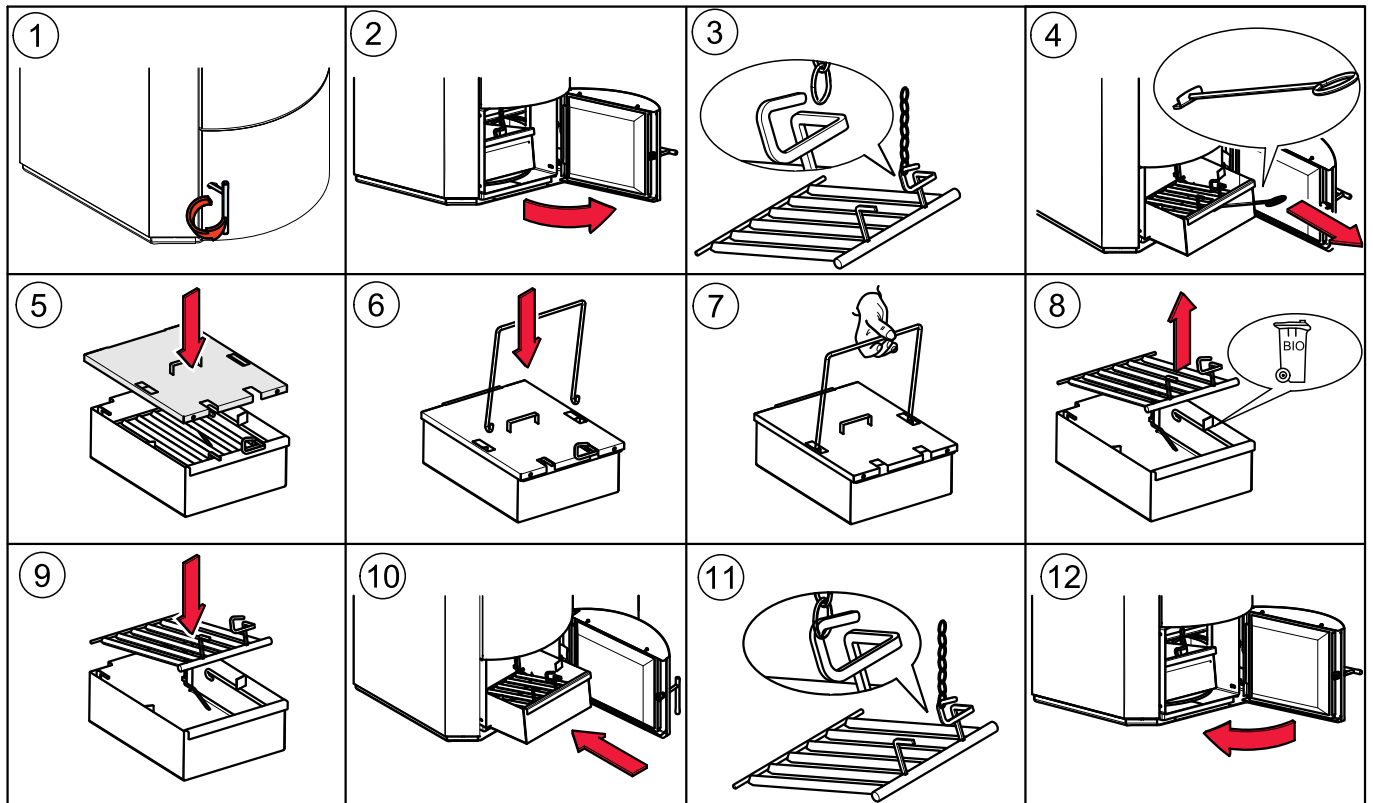
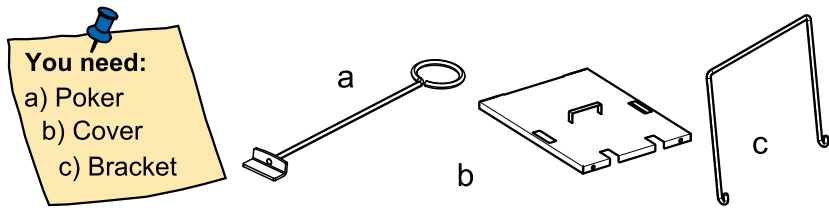
DANGER

Risk of fire
Bring out the ash pan immediatly.
Do not dispose ash until it has completely cooled down.
Empty ash only into a not flammable steel container.
Do not use ash container to store waste or other material.
Do not empty ash onto flammable floors or materials.

Emptying the ash pan

Note:

Check the level of the ash pan and empty it at regularly intervals (at least every 2 weeks). No warning is displayed indicating that ash pan needs to be emptied when it is full (unlike external ash box)



* No riddle grate for systems with burner plate cleaning system.

20 Emptying the ash box

Only on boilers with external ash box. We also offer an optional automatic external ash box. This compresses the ash and reduces the frequency at which it needs to be emptied. It enables the ash to be disposed off without creating dust. Installation is performed by the service technician when the pellet boiler is installed. An external ash box can also be retrofitted.

NOTICE

Damage to property

Empty the ash box before a longer off-time of the boiler. Otherwise the auger and the opening mechanism can be blocked through firmly bonded ash.



DANGER

Risk of fire

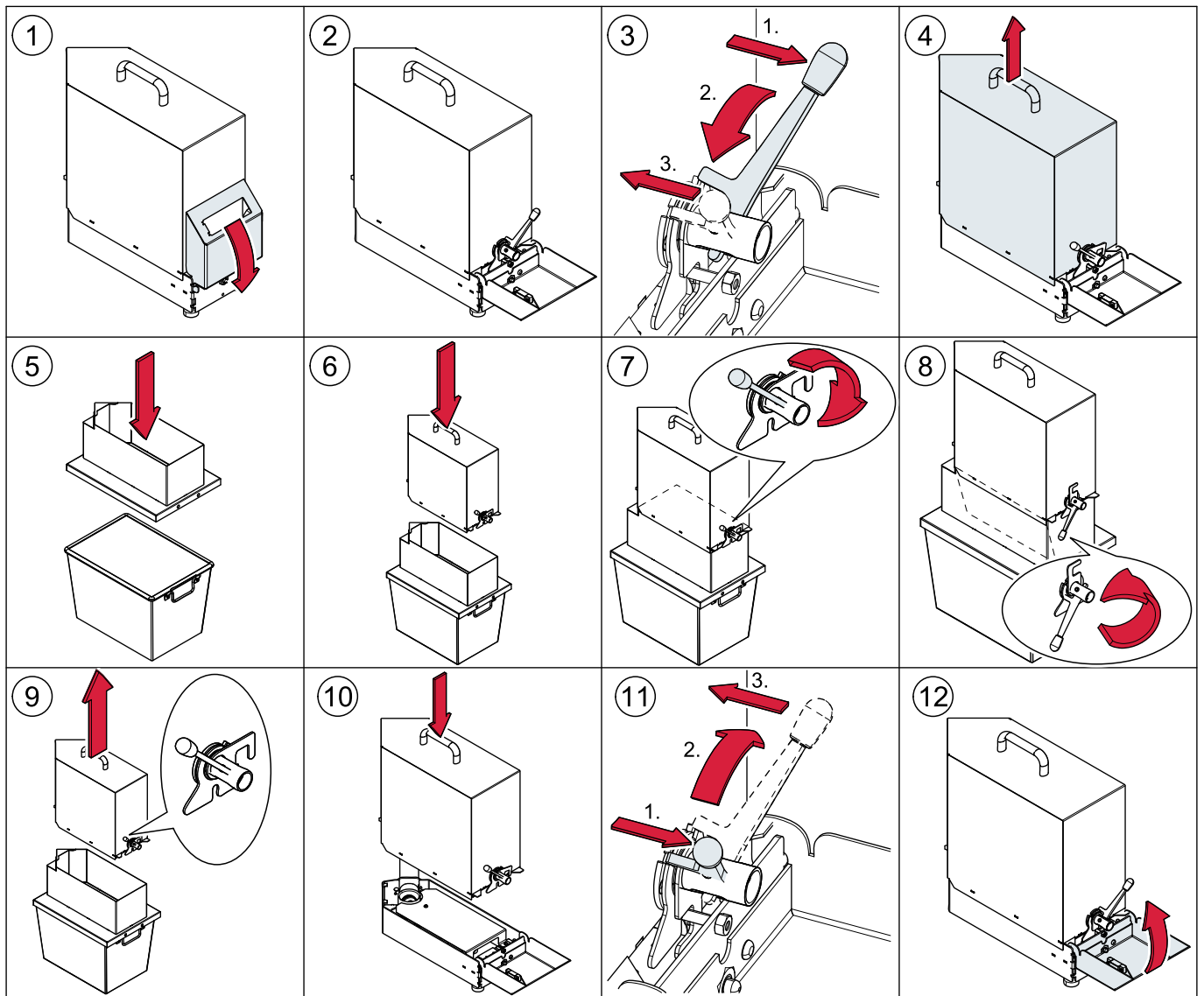
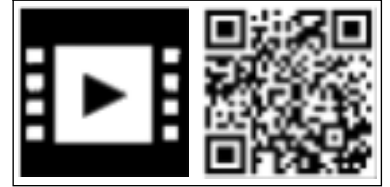
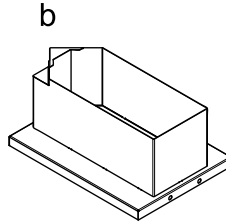
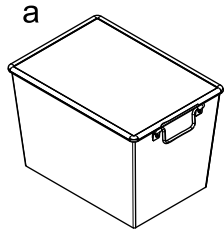
Bring out the ash box immediately.
Do not dispose ash until it has completely cooled down.
Empty ash only into a not flammable steel container.
Do not use the ash container to store waste or other material.
Do not empty ash onto flammable floors or materials.

Emptying the ash box

Note:

When the ashbox is full then **Ash!!!** appears on the display with the alarm text **Ash box full**. After emptying and restarting the ash box the alarm text disappears automatically.

You need:
 a) Ash container
 b) Base



21 Maintenance and servicing

Regular checks of the pellet heating system are a prerequisite for reliable, efficient and environment-friendly operation.

NOTICE

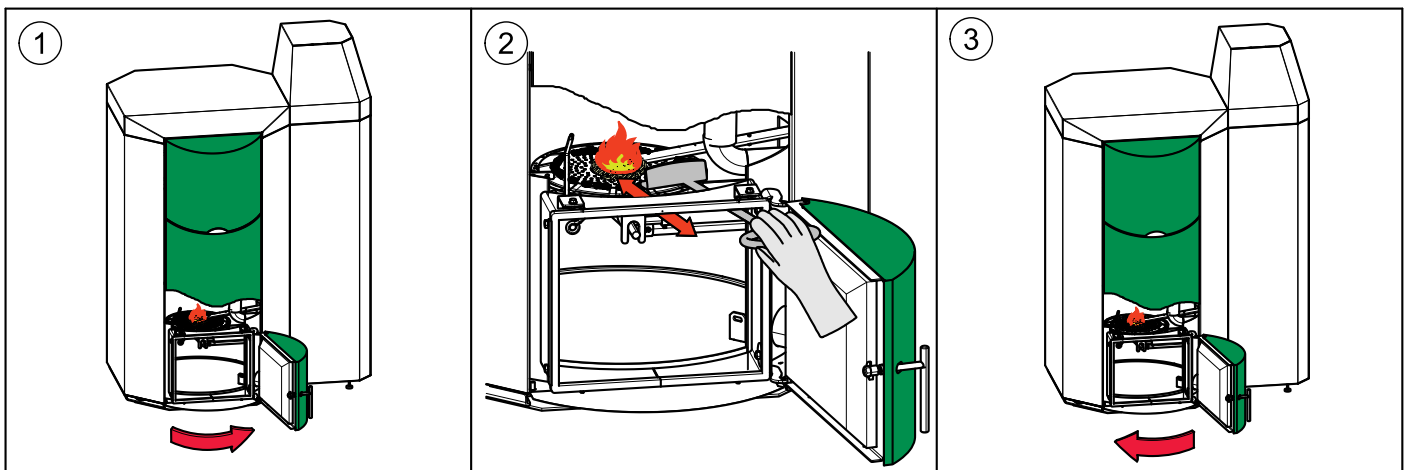
This wood heating appliance needs periodic inspection and repair for proper operation. It is against federal law to operate this wood heating appliance in a manner inconsistent with operating instructions in the manual.

NOTICE

Ashes should be placed in a metal container with a tight-fitting lid. The closed container of ashes should be placed on a noncombustible floor or on the ground, well away from all combustible materials, pending final disposal. If the ashes are disposed of by burial in soil or otherwise locally dispersed, they should be retained in the closed container until all cinders have thoroughly cooled.

21.1 Maintenance

The maintenance, boiler cleaning and cleaning of flue gas connection it is necessary at least once a year. For PE(S) 36-56 it is necessary in any case at least every 2000 operating hours. Pellets which produces tendentially more slagging (ash melting point <2372 °F) and pellets with higher bulk density (> 650 kg) leads to additional cleaning of the burner plate at regular intervals.



21.2 Cleaning the boiler every year

NOTICE

The pellet boiler is equipped with an automatic cleaning system that cleans the heat exchanger every day. In addition, you need to clean the boiler manually once a year before the start of the heating season.

NOTICE

Cleaning of the pellet boiler has to be performed from a authorized service technician at least every third year.



WARNING

Risk of burns

Do not clean the boiler until it has been allowed to cool down.

Switch off the heating system at least 6 hours before opening the boiler.

Switch off the main switch before starting any maintenance work on the system.



CAUTION

Risk of cut injuries due to sharp edges

Use gloves.

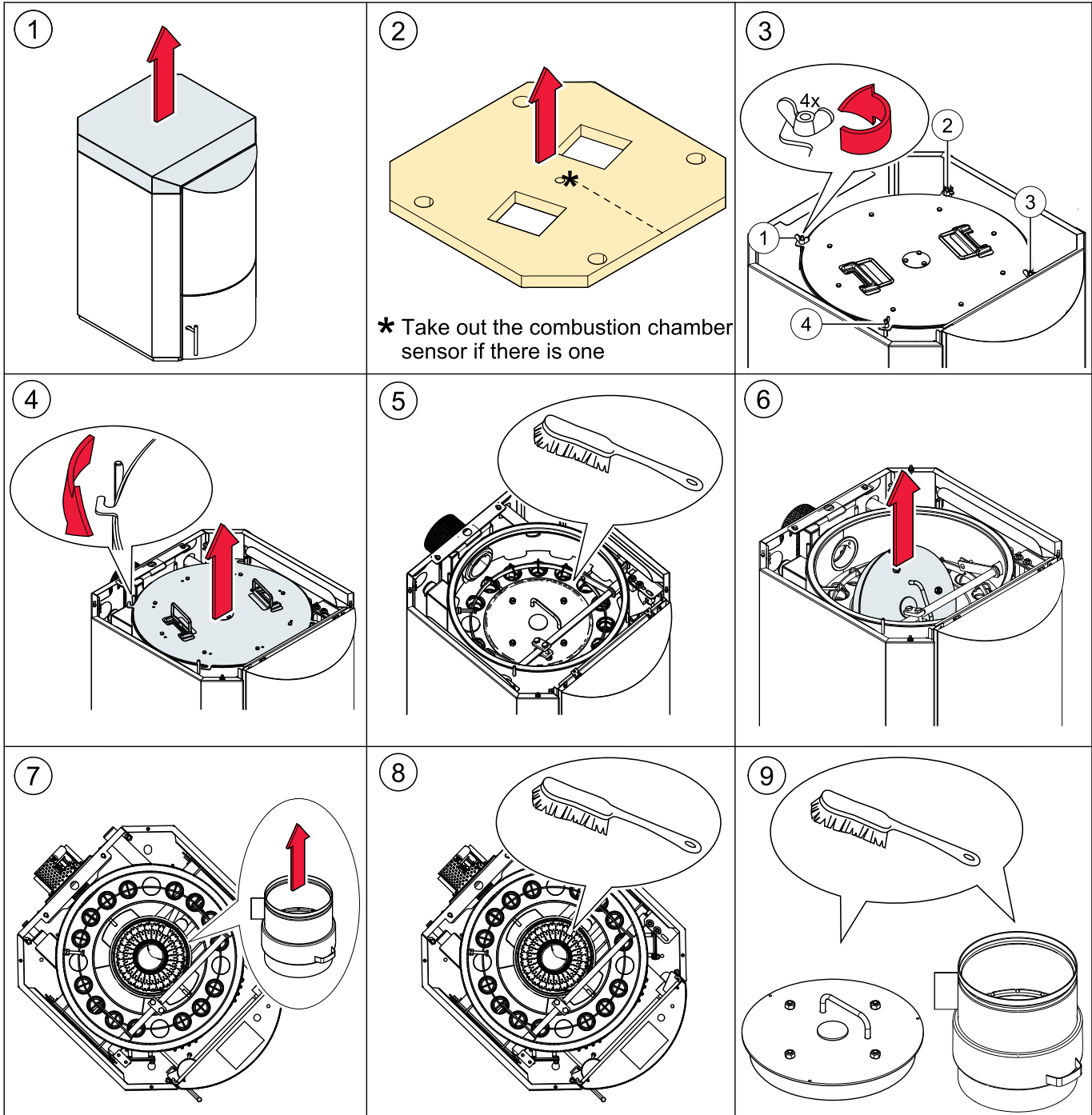
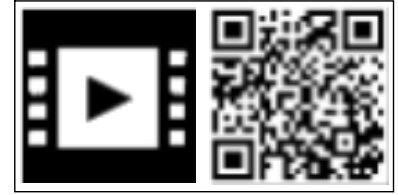
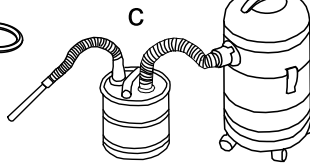
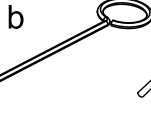
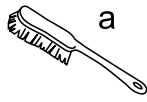
Note:

Check first of all, if all seals are in a good condition and the doors closes tightly.

Procedure for cleaning the boiler

You need:

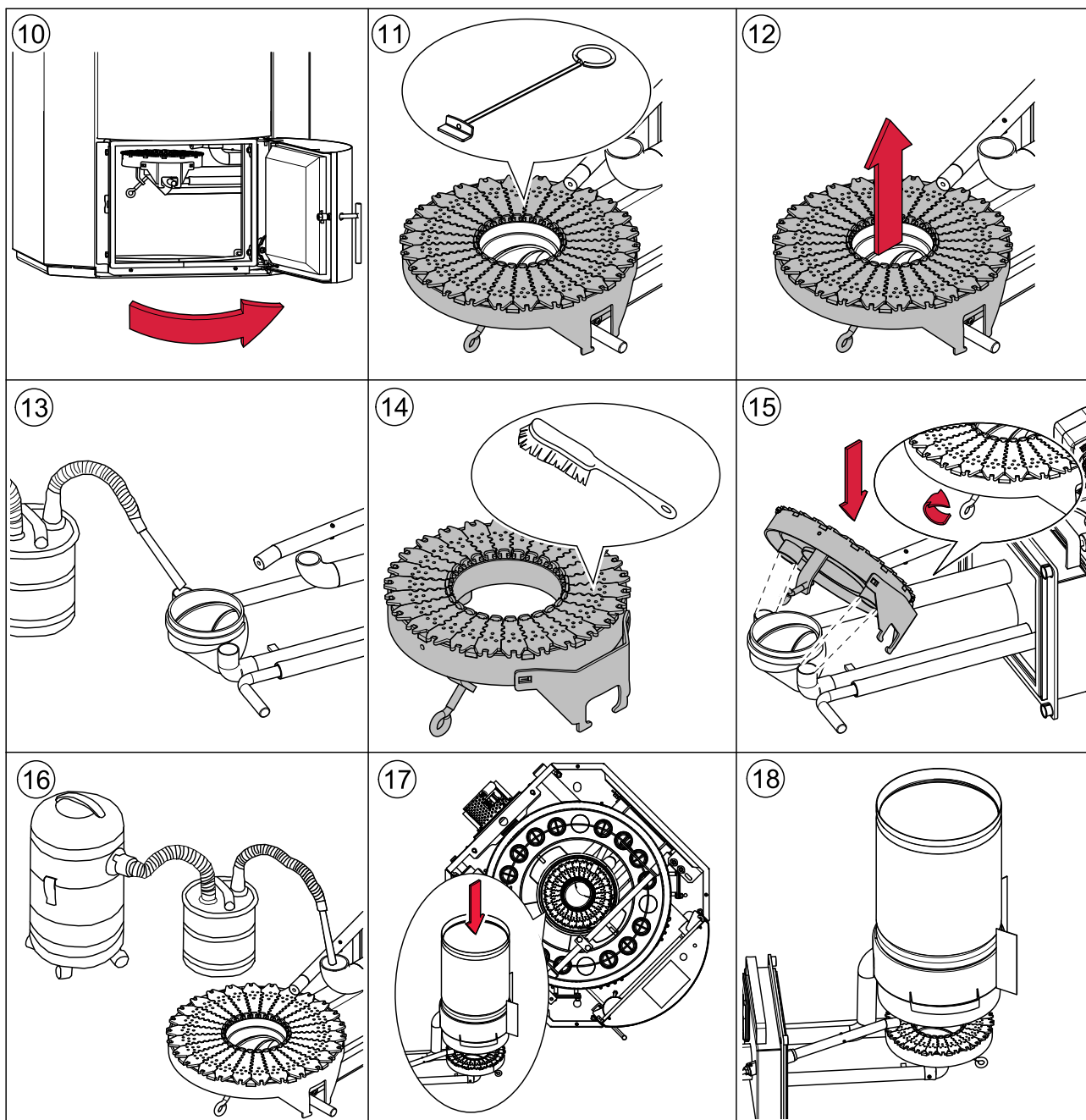
- a) Brush
- b) Poker
- c) Vacuum cleaner with ash filter



NOTICE

Reduction in boiler performance and damage to pellet boiler due to blockages in the air inlet
Clean the air intakes, the burner plate and the flame tube.

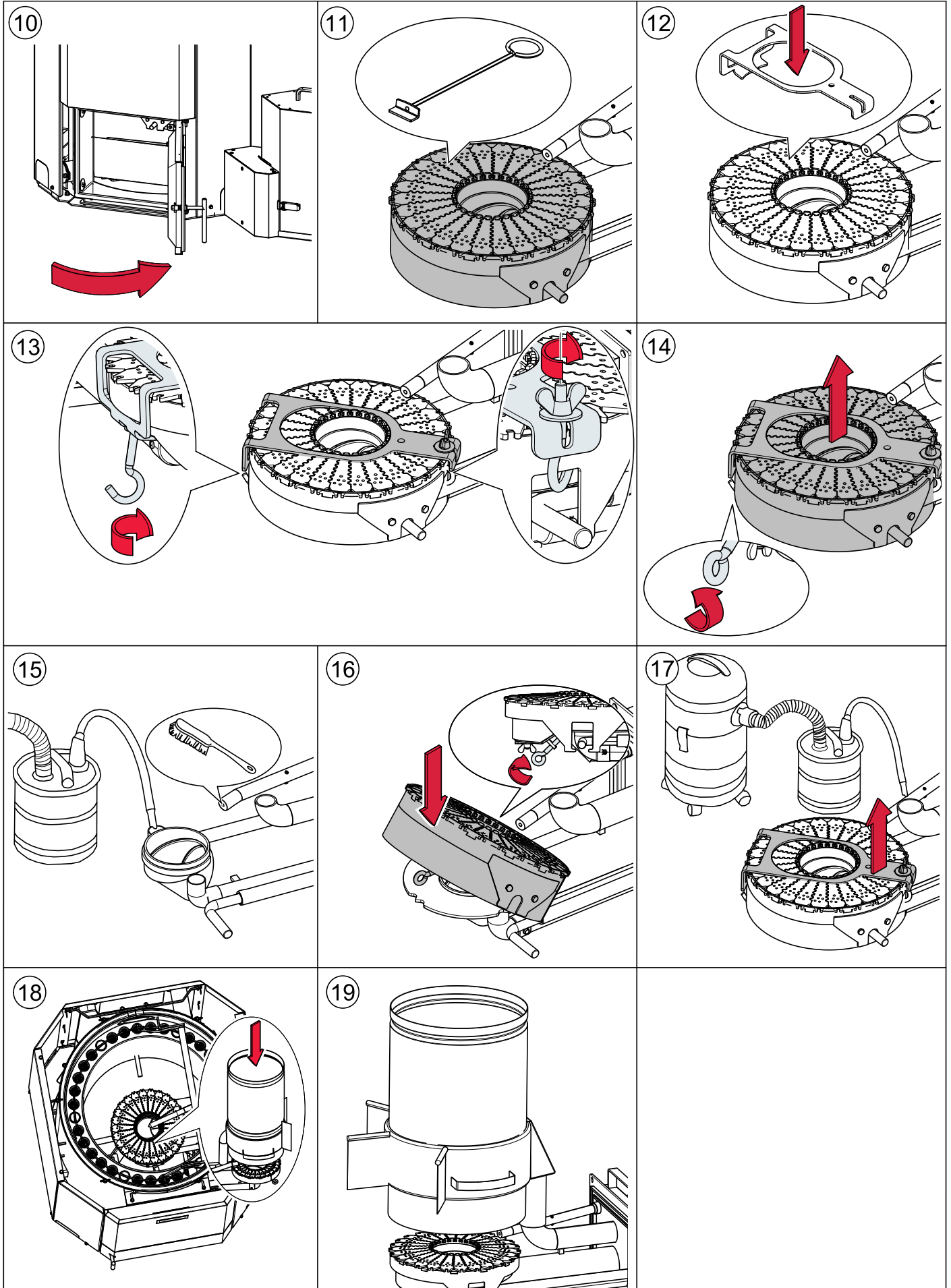
PE(S)(K)(B) 10- 32



Note:

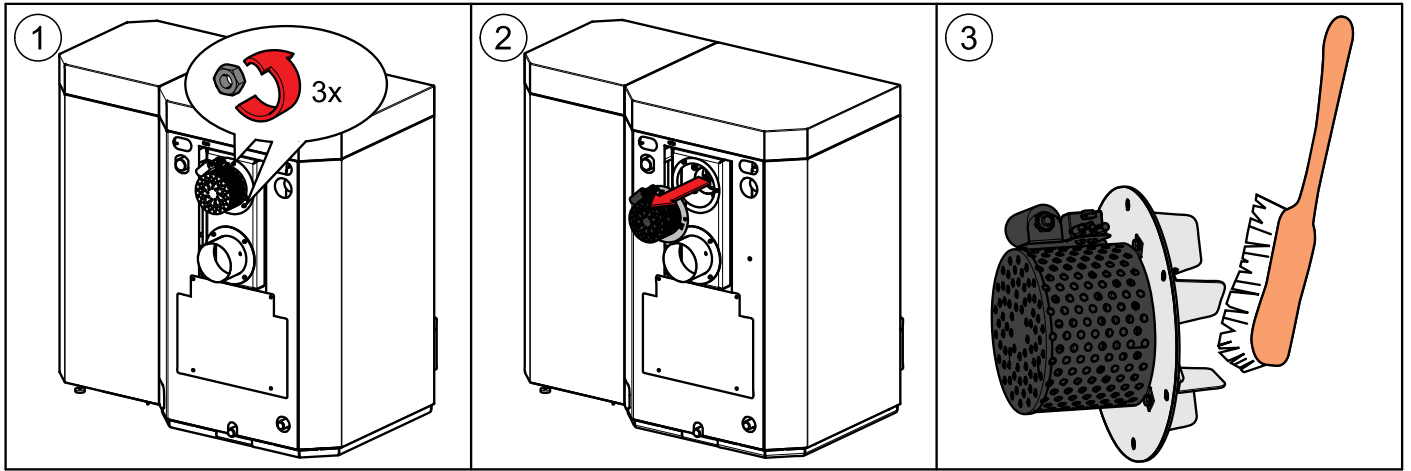
The individual parts of the multi segmented brazier may not be in raised position!

PE(S)(K)(B) 36 - 56



Note:

The individual parts of the multi segmented brazier may not be in raised position!

Cleaning the Induced draft blower:

21.3 Maintenance intervals

We recommend taking out a maintenance contract with your service technician.

21.4 Repairs



Only authorised specialists may carry out repair work on this system. Use original spare parts only. Not using original spare parts will cause the warranty to become void.

21.5 Checking the boiler room and storage room

Checking the pellet heating system regularly prevents malfunctions and unexpected failure of the heating system.

Boiler room

Make sure that no flammable materials are stored in the boiler room.

Make sure that no washing is hanging in the boiler room.

Check the display on the control panel for malfunction messages.

Check the flue gas tube and chimney. Clean it regularly.

Maintenance clearances as given in Installation Manual must be observed at all times.

Do not store fuel or any other materials within these clearances.

Storage room



DANGER

Risk of suffocation

Ventilate the pellet storage room sufficiently before entering.

Switch off the heating system before entering.

Check the level of pellets in the textile tank and order more pellets in good time.

22 Data for 20KW model, including emissions



MESys

Maine Energy Systems, LLC
8 Airport Road, Bethel, Maine 04217
Voice: 207.824.6749 Fax: 207.824.4816

Report No. 0444PB004S

Type: Pellematic20	S/N: XUT xx	CATALOG No.: PES20
Date of manuf.: 02/2018	Rated heat power: 68,300BTU/hr	
Tested to: UL 2523-2013. CSA B366.1-2011 EN303-5		
Manufactured By: MESys LLC, Bethel, Maine	FUEL: WOOD PELLETS	
U.S. ENVIRONMENTAL PROTECTION AGENCY certified to comply with the 2020 particulate emissions standard using wood pellets.		
This appliance needs periodic inspection and repair for proper operation. Consult owner's manual for further information. It is against federal regulations to operate this appliance in a manner inconsistent with operating instructions in the owners manual.		
Particulate Emissions, 0.028 lb./million btu - 0.227 grams/hr. CO emissions, 0.019 grams/min. Annual Efficiency, (HHV) 74.3%		
Water Capacity: 15.0 Gallons	Operating Temp: 194 °F	
Max Operating Pressure: 3 BAR / 43.5 PSI / 1204 inches WC		
Chimney	Approved factory built stainless steel or tile-lined masonry	
MAX DRAFT: 0.11 inches WC MIN DRAFT: 0.04 inches WC		
Diameter: 6 INCH	Electrical Rating: 220 V, 60 Hz, 14 A, 1760 W	
FLOORING: COMBUSTIBLE FLOORS CAN BE USED WITH A NON-COMBUSTIBLE SHIELD. MINIMUM CLEARANCES ARE 18IN/457MM IN THE FRONT AND 8IN / 203MM ON EACH SIDE.		
PARTS	Fan Flue Gas: E1001A	Controller Display: E1330
Motor Ash Box: E1302	Motor Flame Return Protection: E1413A	
Motor Cleaning Device: E1054	Motor Hopper: NA	
Motor Burner Plate Cleaning: NA	Suction Turbine: E1205	
Motor Burner Screw: E1030	Low Water Cut Off: Safgard 550SV	
Controller Board: E1412	Pressure-Relief Valve: Watts Co335M1	
Motor Auger Screw: FKAEM 150 / FKAE-S	Fan Burner: E1005S	

23 Data for 32KW model, including emissions



MESys

Maine Energy Systems, LLC
8 Airport Road, Bethel, Maine 04217
Voice: 207.824.6749 Fax: 207.824.4816

Report No. 0444PB004S

Type: Pellematic32	S/N: XUT xx	CATALOG No.: PES32
Date of manuf.: 02/2018	Rated heat power: 109,000 BTU/hr	
Tested to: UL 2523-2013. CSA B366.1-2011 EN303-5		
Manufactured By: MESys LLC, Bethel, Maine		FUEL: WOOD PELLETS
U.S. ENVIRONMENTAL PROTECTION AGENCY certified to comply with the 2020 particulate emissions standard using wood pellets.		
This appliance needs periodic inspection and repair for proper operation. Consult owner's manual for further information. It is against federal regulations to operate this appliance in a manner inconsistent with operating instructions in the owners manual.		
Particulate Emissions, 0.021 lb./million btu - 0.319 grams/hr. CO emissions, 0.025 grams/min. Annual Efficiency, (HHV) 76.5%		
Water Capacity: 23.6 Gallons	Operating Temp: 194 °F	
Max Operating Pressure: 3 BAR / 43.5 PSI / 1204 inches WC		
Chimney	Approved factory built stainless steel or tile-lined masonry	
MAX DRAFT: 0.11 inches WC MIN DRAFT: 0.04 inches WC		
Diameter: 6 INCH	Electrical Rating: 220 V, 60 Hz, 14 A, 1760 W	
FLOORING: COMBUSTIBLE FLOORS CAN BE USED WITH A NON-COMBUSTIBLE SHIELD. MINIMUM CLEARANCES ARE 18IN/457MM IN THE FRONT AND 8IN / 203MM ON EACH SIDE.		
PARTS	Fan Flue Gas: E1001A	Controller Display: E1330
Motor Ash Box: E1302	Motor Flame Return Protection: E1413A	
Motor Cleaning Device: E1054	Motor Hopper: NA	
Motor Burner Plate Cleaning: NA	Suction Turbine: E1205	
Motor Burner Screw: E1030	Low Water Cut Off: Safgard 550SV	
Controller Board: E1412	Pressure-Relief Valve: Watts Co335M1	
Motor Auger Screw: FKAEM 150 / FKAE-S	Fan Burner: E1005S	

24 Data for 56KW model, including emissions



MESys

Maine Energy Systems, LLC
8 Airport Road, Bethel, Maine 04217
Voice: 207.824.6749 Fax: 207.824.4816

Report No. 0444PB004S

Type: Pellematic56	
S/N: XUT01553	CATALOG No.: PES56
Date of manuf.: 09/2020	Rated heat power: 191,000 BTU/hr
Tested to: UL 2523-2013. CSA B366.1-2011 EN303-5	
Manufactured By: MESys LLC, Bethel, Maine	FUEL: WOOD PELLETS
U.S. ENVIRONMENTAL PROTECTION AGENCY: Certified to comply with the 2020 particulate emissions standard using wood pellets.	
This appliance needs periodic inspection and repair for proper operation. Consult owner's manual for further information. It is against federal regulations to operate this appliance in a manner inconsistent with operating instructions in the owners manual.	
Particulate emissions, 0.06lb./million btu - 0.952grams/hr. CO emissions, 0.052grams/minute. Annual efficiency (HHV) 81.9%	
Water Capacity: 30.6 Gallons	Operating Temp: 194 °F
Operating Pressure: 3 BAR / 43.5 PSI / 1204 inches WC	
Chimney Approved factory built stainless steel or tile-lined masonry	
max DRAFT: 0.11 inches WC min DRAFT: 0.04 inches WC	
Diameter: 7 INCH	
Electrical Rating: 220 V, 60 Hz, 14 Amp, 1760 Watts	
FLOORING: Combustible floors can be used with a non-combustible shield. Minimum clearances are 18in/457mm in the front and 8in/203mm on each side.	
PARTS	Fan, Flue Gas: E1249A
Controller Display/Screen: E1330	
Motor Flame Return Protection: E1413A	Motor Ash Box: E1302
Motor Cleaning Device: E1054	Motor Hopper: E1197
Motor Burner Plate Cleaning: E1204	Suction Turbine: E1205
Motor Burner Screw: E1306	Low Water Cut Off: Safgard 550SV
Controller Board: E1412	Pressure-Relief Valve: Watts Co335M1
Fan Burner: E1005S	Motor Auger Screw: FKAEM 150 /FKAE-S

25 General information

As require by the United States Department of Environmental Protection the following information is given for the:

AutoPellet Pellematic PES 10-56 wood pellet fired central heating boiler. Manufactured by Maine Energy Systems, of 8 Airport Road, Bethel, Maine, 04217

- The Pellematic has a thermal output levels from **3 kW** or **10,000** btu/h to 191,000 btu/h and complies with EPA 2020 requirements.
- This wood heater has a manufacturer-set minimum low burn rate that must not be altered. It is against federal regulations to alter this setting or otherwise operate this wood heater in a manner inconsistent with operating instructions in this manual.
- Complete installation information is found in the Installation Manual.
- Although operational information is elsewhere in this manual, there are specific concerns for correct operation that can directly affect the emissions profile of this equipment. It is therefore necessary that we mention these important points.
- Fuel loading and selection. Your Pellematic is equipped with completely automatic fuel loading. Thus, other than selecting the correct fuel, there are no loading instructions as such. Fuel selection is straight forward.
Only PFI Premium 100% wood pellets should be used in your boiler.
- Among the materials that are specifically prohibited to be burned in your Pellematic are: trash, plastics, gasoline, rubber, naphtha, household garbage, material treated with petroleum products such as particleboard, railroad ties, and pressure treated wood.
Burning these materials may result in release of toxic fumes or render the boiler ineffective and cause smoke.
- Your Pellematic pellet fired boiler is completely automatic ignition as well as the loading as before mentioned.
There are therefore no starting procedures to be followed. The boiler correctly starts itself when required by building load.
- There are no user adjustments required for the air controls on your Pellematic.
- It is important to have your Pellematic boiler serviced by a trained professional who is aware of the importance to ensure that there are no inlet air restrictions in or around your boiler's combustion blower. And that the air passages within your boiler are free of debris, (creosote, ash, etc.)
The flue pipe and chimney are also clean and free of debris / restrictions.
And that the combustion chamber door seal is airtight when the door is closed and secured.
- Ash removal is also completely automatic on your Pellematic boiler. Ashes should be placed in a metal container with a tight-fitting lid.
The closed container of ashes should be placed on a noncombustible floor or on the ground, away from all combustible materials, pending final disposal. The ashes should be retained in the closed container until all cinders have thoroughly cooled.
When cooled ashes can be disposed of on your lawn, garden or local transfer station.
- Your Pellematic is not a catalytic type burner.
- A person or persons responsible for the operation of a hydronic heater must comply with all applicable laws or other requirements, such as State laws or regulations as well as local ordinances.
- A person or persons operating a hydronic heater should be aware that they are responsible for operation in such a manner that does not create a public or private nuisance condition.
The Manufacturer's distance and stack height recommendations and the requirements in any applicable laws or other requirements may not always be adequate to prevent nuisance conditions due to terrain or other factors.
- Your Pellematic should be installed with a minimum stack height of 16 feet.
Providing correct draft as given in the Installation manual.
- Draft is the force which moves air from the appliance up through the chimney.

The amount of draft in your chimney depends on the length of the chimney, local geography, nearby obstructions and other factors. Too much draft may cause excessive temperatures in the appliance and may damage the catalytic combustor. Inadequate draft may cause backpuffing into the room and 'plugging' of the chimney. Inadequate draft will cause the appliance to leak smoke into the room through appliance and chimney connector joints. An uncontrollable burn or excessive temperature indicates excessive draft.

- **The efficiency of your 20KW Pellematic boiler running at full power is >80%.**
- **The efficiency of your 32KW Pellematic boiler running at full power is >83%.**
- **The efficiency of your 56KW Pellematic boiler running at full power is >86%.**
- This is the result of a laboratory test and was measured using the HHV of the fuel used.
- You should never operate a combustion appliance of any type in your home without there being a properly installed smoke and CO detector.
Your local fire department usually has good advice on placement of these detectors and how many your home may need for complete coverage.

RESIDENTIAL LIMITED WARRANTY

What this Warranty Covers & Who it Applies to: The limited warranty provided by **Maine Energy Systems LLC** (“MESys”) applies only to MESys brand boilers, furnaces, wood pellet burners and accessories (“Product”) sold to you, the first user and purchaser provided that the Product was purchased: (1) for your normal, household (non-commercial) use, and has only been used for normal household purposes; (2) new at retail (not a display, “as is”, or previously returned model) and not for resale, or commercial use; and (3) within the United States. Products installed in a building other than a one or two family residential dwelling are not covered, under this Warranty unless individual Boilers are installed for each dwelling unit. Please return your registration card; while not necessary to establish warranty coverage, it allows MESys to be able to notify you in the unlikely event of a safety issue.

How Long this Limited Warranty Lasts: This Limited Warranty has three time frames, depending on the particular Product component involved.

(1) MESys warrants that the burner, ignition, electric and electronic parts, flame tube and burner plate, chains, bearings, chain pinions, and all other moving components of the Product are free from defects in materials and workmanship for a period of *two (2) years from the date of initial operation or 6,000 operating hours, whichever comes first*, provided they are installed and properly maintained by a qualified heating contractor and the other conditions of this warranty are met, and

(2) *In addition*, all other parts including the boiler vessel, or heat exchanger in furnaces, are warranted to be free from defects in materials and workmanship for a period of *five (5) years from the date of initial operation or 15,000 operating hours, whichever comes first* provided it is installed and properly maintained by a qualified heating contractor and the other conditions of this warranty are met; and

(3) *In addition* thereafter, MESys warrants that the boiler vessel is free from defects in materials and workmanship on a prorated basis follows, provided it is installed and properly maintained by a qualified heating contractor and the other conditions of this warranty are met:

For the next five (5) years (years 6 through 10) or a maximum of 30,000 operating hours, whichever comes first, the boiler vessel is warranted for 75% of the then retail parts cost; and thereafter

For the next ten (10) years (years 11 through 20) or a maximum of 60,000 operating hours, whichever comes first, the boiler vessel is warranted for 50% of the then retail parts cost.

For the next ten (10) years (years 21 through 30) or a maximum of 90,000 operating hours, whichever comes first, the boiler vessel is warranted for 25% of the then retail parts cost, which may be used to replace the boiler vessel, or used as a credit toward a new boiler system, at MESys’ discretion.

Labor is not covered under this limited warranty. During the pro-rated warranty period, the customer is responsible for payment of the remaining portion of the then retail cost.

The warranty period begins to run upon the date of initial operation, and shall not be extended for any reason whatsoever. This limited warranty does not cover labor and shipping costs, non-MESYS components, serviceable items or normal maintenance, nor the other items and events excluded below.

Terms of Limited Warranty: MESys will provide replacement parts for any component that proves to be defective in materials or workmanship (excludes labor charges) within the periods set forth above, or replace it with the most comparable model available from MESys at the time of the replacement, provided that the purchaser pays for the other portion of the prorated charge set forth above if applicable. The proportionate charge is based on the current list price of the boiler vessel involved in the warranty claim (or the nearest comparable MESys model). The foregoing timelines begin to run upon the date of initial operation, and shall not be stalled, tolled, extended, or suspended, for any reason whatsoever.

Repair/Replace as Your Exclusive Remedy: During this limited warranty period, MESys or one of its authorized service providers will provide replacement parts for your Product or replace it with the most comparable model then available from MESys at the time of the replacement (subject to certain limitations stated herein,) if your Product proves to have been manufactured with a defect in materials or workmanship. All removed parts and components shall become the property of MESys at its sole option. All replaced and/or repaired parts shall assume the status of the original part for purposes of this

warranty and this warranty shall not be extended by the replacement of such parts. MESys's sole obligation hereunder is to provide replacements for defective Product to a MESys-authorized service provider during normal business hours. For safety and property damage concerns, MESys highly recommends that you do not attempt to repair the Product yourself, or use an un-authorized servicer; MESys will have no responsibility or liability for repairs or work performed by a non-authorized servicer. If you choose to have someone other than an authorized service provider work on your Product, THIS WARRANTY WILL AUTOMATICALLY BECOME NULL AND VOID. Authorized service providers are those persons or companies that have been specially trained for customer service and technical ability (note that they are independent entities and are *not* agents, partners, affiliates or representatives of MESys).

Warranty Exclusions: The warranty coverage described herein excludes all defects or damage that are not the direct fault of MESys, including without limitation, any one or more of the following: (a) use of the Product in anything other than its normal, customary and intended manner (including without limitation, any form of commercial use or use that is not for personal, family or household purposes); (b) any party's willful misconduct, negligence, misuse, abuse, accidents, improper operation, failure to maintain, improper or negligent installation, tampering, failure to follow operating instructions, mishandling, unauthorized service (including self-performed "fixing" or exploration of the appliance's internal workings); (c) adjustment, alteration or modification of any kind; (d) a failure to comply with applicable state, local, city, or county electrical, plumbing and/or building codes, regulations and laws, including failure to install the product in strict conformity with local fire and building codes and regulations; (e) ordinary wear and tear; (f) any external, elemental and/or environmental forces and factors, including without limitation, lightning strikes, voltage spikes, flues that do not meet specified standards, fire, floods, rain, windstorm, floods, fires, mud slides, freezing, excessive moisture or extended exposure to humidity, power surges, building structural failures and acts of God; (g) any damage or failure resulting from contaminated air, including but not limited to sheetrock particles or other dirt or dust, introduced into the Boiler; (h) damage or failure resulting from hard water scale build-up on the heat exchanger waterways; (i) use with insufficient water or operation with water or fuel additives that cause deposits or corrosion; and (j) use with oxygen permeable tubing or other components. In no event shall MESys have any liability or responsibility whatsoever for damage to surrounding property and other structures or objects around the Product. Also excluded from this warranty are scratches, nicks, minor dents, and cosmetic damages on external surfaces and exposed parts; Products on which the serial numbers have been altered, defaced, or removed; service visits to teach you how to use the Product, or visits where there is nothing wrong with the Product; correction of installation problems (you are solely responsible for any structure and setting for the Product, including all chimneys, flues, electrical, plumbing or other connecting facilities, for proper foundation/flooring, and for any alterations); and resetting of breakers or fuses.

TO THE EXTENT ALLOWED BY LAW, THIS WARRANTY SETS OUT YOUR EXCLUSIVE REMEDIES WITH RESPECT TO PRODUCT, WHETHER THE CLAIM ARISES IN CONTRACT OR TORT (INCLUDING STRICT LIABILITY, OR NEGLIGENCE) OR OTHERWISE. THIS WARRANTY IS IN LIEU OF ALL OTHER WARRANTIES, WHETHER EXPRESS OR IMPLIED. ANY WARRANTY IMPLIED BY LAW, WHETHER FOR MERCHANTABILITY OR FITNESS FOR A PARTICULAR PURPOSE, OR OTHERWISE, SHALL BE EFFECTIVE ONLY FOR THE PERIOD THAT THIS EXPRESS LIMITED WARRANTY IS EFFECTIVE OR THE IMPLIED WARRANTY PERIOD, WHICHEVER IS LESS. IN NO EVENT WILL MESYS BE LIABLE FOR CONSEQUENTIAL, SPECIAL, INCIDENTAL, INDIRECT, "BUSINESS LOSS", AND/OR PUNITIVE DAMAGES, LOSSES, OR EXPENSES, INCLUDING WITHOUT LIMITATION TIME AWAY FROM WORK, HOTELS AND/OR RESTAURANT MEALS, EXPENSES IN EXCESS OF DIRECT DAMAGES DEFINITELY CAUSED EXCLUSIVELY BY MESYS, OR OTHERWISE ARISING. SOME STATES DO NOT ALLOW THE EXCLUSION OR LIMITATION OF INCIDENTAL OR CONSEQUENTIAL DAMAGES, AND SOME STATES DO NOT ALLOW LIMITATIONS ON HOW LONG AN IMPLIED WARRANTY LASTS, SO THE ABOVE LIMITATIONS MAY NOT APPLY TO YOU. THIS WARRANTY GIVES YOU SPECIFIC LEGAL RIGHTS, AND YOU MAY ALSO HAVE OTHER RIGHTS, WHICH VARY FROM STATE TO STATE.

The customer is responsible for the costs of:

- Components which have been replaced but found not to have been defective;
- Faulty installation;
- Normal maintenance; and
- Equipment used contrary to the installation manual.

The required information that must be furnished to MESYS for a claim under this Limited Warranty includes:

- Model number and serial number of the Product;
- Date the Product was installed and placed in operation, the location, the name of the installer;
- Date the Product component failure was reported; and

- Description of condition that prompted the report.

No attempt to alter, modify or amend this warranty shall be effective unless authorized in writing by an officer of MESYS.

To Obtain Warranty Service, Please Contact

Maine Energy Systems, LLC ("MESys")

8 Airport Road, P.O. Box 547, Bethel, Maine 04217

Tel: 207.824. 6749 Fax: 207.824.4816

info@maineenergysystems.com

Limited Warranty Boiler Resid 1-31-2013 REV
6/13/2013 3:46 PM

Author & Manufacturer

MAINE ENERGY SYSTEMS LLC
8 Airport Road – P.O. Box 547 Bethel
Maine 04217

E-Mail: info@maineenergysystems.com
www.maineenergysystems.com

© MAINE ENERGY SYSTEMS LLC
Subject to modifications

Please read carefully prior
to installing and servicing.

SAVE THESE INSTRUCTIONS

Installation Manual

Pellet heating with vacuum
suction system, type

AutoPellet®
PES 56

MESys V1.1

AutoPelletTOUCH

USA



Title: Installation Manual AutoPellet® PES 56
Article number: PE 3671 USA 3.0
Version valid from: 09/2021
Approved: Wohlinger Christian

Author & Manufacturer

MAINE ENERGY SYSTEMS LLC
8 Airport Road — P.O. Box 547 Bethel
Maine 04217

E-Mail: info@maineenergysystems.com
www.maineenergysystems.com

© MAINE ENERGY SYSTEMS LLC
Subject to modifications

Pour la version française de ce manuel, veuillez visiter notre site Web à
Maineenergysystems.com.

1 Dear Customer	5
2 Use only for the purpose intended	6
3 Types of safety warning sign	7
4 Warnings and safety instructions.....	8
4.1 Basic safety instructions	8
4.2 Warning signs.....	8
4.3 What to do in an emergency.....	10
5 Prerequisites for installing a pellet boiler	11
5.1 Guidelines and standards for installing a pellet boiler	11
5.2 Installation room.....	11
5.3 Flue gas system.....	12
5.4 Safety systems	14
5.5 Installation with an existing boiler.....	14
6 Product description	16
6.1 The pellet boiler.....	17
6.2 Pellet suction system	19
6.2.1 Assembly of the vacuum system.....	19
6.3 Storage systems.....	21
6.3.1 Flexilo fabric tank.....	22
7 Bringing the pellet boiler into the boiler room	23
7.1 Transport.....	23
7.2 Notes on bringing the unit into the building	23
7.3 Flooring	27
7.4 Casing parts	28
7.5 Removing the casing, the hopper and the burner	29
7.5.1 Dismantling the burner casing	29
7.5.2 Dismantling the hopper.....	30
7.5.3 Dismantling the burner.....	31
7.5.4 Dismantling the boiler door	33
7.5.5 Dismantling the boiler casing.....	34
7.5.6 Deassembling the base plate	36
8 External de-ashing / automatic ash compaction system.....	37
8.1 Description of de-ashing system	37
8.2 Installing the de-ashing system.....	38
8.2.1 Bringing in and installing de-ashing system on the base plate	38
8.2.2 Installing the de-ashing auger, fitting the sub-assembly and mounting the door plate	39
8.2.3 Installing the burner side casing with cut-out and electrical connection.....	40
8.2.4 Assembling the pellet boiler and activating the ash box.....	41
9 Connecting up the hydronics	42
9.1 Hydronic connecting diagrams.....	43
10 Connecting to the power supply	44
10.1 Terminal box	44
10.1.1 Wiring diagram - terminal box	44
10.2 Plugs on the boiler control unit.....	46
10.3 Cable routing	48
10.4 Wiring diagrams	51
10.5 Fuses - boiler controller	56
10.6 Operating the AutoPellet	56
11 Starting up for the first time.....	57
12 Appendix.....	58
12.1 Checklist for checking the heating system	58
12.2 Appendix G of CAN/CSA-B365-M91	60
12.3 Modifying the burner.....	61
12.3.1 Dismantling the casing, hopper, combustion chamber lid, flame tube and burner	61
12.3.2 Modify the burner on the left	62
12.3.3 Reassembling the pellet boiler after modifying the burner.....	63
12.4 Parts list.....	64

12.4.1 Pellematic PES 36-56.....	64
12.5 Technical data	69
12.6 Pellet boiler cautionary markings	73
12.6.1 Data for 56KW model, including emissions.....	76

For warranty inquiries please send an email to warranty@maineenergysystems.com including the system's address in the subject line.

1 Dear Customer

Maine Energy Systems specializes in wood pellet heating.

Our company enjoys an exclusive license from ÖkoFEN to manufacture products here in North America. We represent expertise, innovation and quality.

We are delighted that you have decided to purchase our product.

- This instruction manual is intended to help you operate the product safely, properly and economically.
- Please read this instruction manual completely and take note of the safety warnings.
- Keep all documentation supplied with this unit in a safe place for future reference.
- Installation and first startup must be carried out by a qualified installer certified by Maine Energy Systems.
- The installation must comply with the requirements of the Authority having jurisdiction over the installation.
- Please contact your authorized dealer if you have any questions.



We place great importance on the development of new products. Our R&D department continues to question accepted solutions and works continually on new improvements. That is how we maintain our technological lead. We have already received several awards for our products in Austria and abroad. Our products fulfil European and USA requirements regarding quality, efficiency and emissions.



2 Use only for the purpose intended

The pellet boiler is designed to heat water for central or other indirect heating systems and hot water supply for buildings. It is not permissible to use the pellet boiler for any other purpose. Reasonable foreseeable inadvertent uses for the pellet boiler are not known.

The boiler fulfills the requirements of **UL 2523-18 CSA B366.1-11 (R2020)**

3 Types of safety warning sign

The warning signs use the following symbols and text.

Types of safety warning sign

1. Risk of injury
2. Consequences of risk
3. Avoiding risk



1. Risk of injury:

Danger - indicates a situation that could lead to death or life-threatening injury.



Warning - indicates a situation that could lead life-threatening or serious injury.



Caution - indicates a situation that could lead to injury.



Note - indicates a situation that could lead to property damage.



2. Consequences of risk

Effects and consequences resulting from incorrect operation.

3. Avoiding risk

Observing safety instructions ensures that the heating system is operated safely.

4 Warnings and safety instructions

Observing safety instructions ensures that the heating system is operated safely.

4.1 Basic safety instructions

- Never get yourself into danger; give your own safety top priority.
- Keep children away from the central heating room and storage room.
- Observe all safety warnings on the boiler and in this user manual.
- Observe all instructions relating to maintenance, servicing and cleaning.
- The pellet heating system may only be installed and commissioned by an installer that is trained and remains currently authorized by Maine Energy Systems.
- Never make any changes to the heating system or flue gas system. All maintenance, cleaning and changes should only be done by trained professionals.
- Never close or remove safety valves.

4.2 Warning signs



DANGER

Risk of poisoning

Make sure that the pellet boiler is supplied with sufficient combustion air.

The openings in the combustion air inlet must never be partially or completely closed.

Ventilation systems, central vacuum cleaning systems, extractor fans, air conditioning systems, flue gas blowers, dryers, fuel storage ventilation fans or similar equipment must never be allowed to draw air from the boiler room and cause a drop in pressure.

The boiler must be connected tight to the chimney using a flue gas tube.

Clean the chimney and the flue gas tube at regular intervals.

The boiler room and pellet storage room must be sufficiently supplied with air and ventilated.

Before entering the storage room it must be ventilated with sufficient air and the heating system switched off.



DANGER

Risk of electric shock

Always disconnect / de-energize the power supply before working on the boiler.



DANGER

Risk of explosion

DO NOT BURN GARBAGE, GASOLINE, NAPHTHA, ENGINE OIL, OR OTHER INAPPROPRIATE MATERIALS. DO NOT USE CHEMICALS OR FLUIDS TO START THE FIRE.

Switch off the heating system before filling the storage room.



DANGER

Risk of fire

Do not store any flammable materials in the boiler room.
Do not hang out any washing in the boiler room.
Do not operate with fuel loading or ash removal doors open.



WARNING

Risk of burns

Do not touch the flue gas connector or flue gas pipe.
Do not reach into the ash chamber.
Do not clean the boiler until it has been allowed to cool down.



CAUTION

HOT SURFACES

Keep children away.
Do not touch during operation.
Do not operate if maximum draft as listed on boiler nameplate is exceeded.
Doing so can allow non-controlled combustion.



CAUTION

Risk of cut injuries due to sharp edges.

Use gloves for performing all work on the boiler.

NOTICE

Damage to property

The pellet boiler is suitable only for pellets which comply with PFI premium or EnPlus -A1 pellets specifications.
The use of any other fuel voids your warranty and can cause damage to the pellet boiler and chimney.

NOTICE

Damage to property

Do not use the heating system if it, or any of its components, come into contact with water.
If water damage occurs, check the heating system and replace damaged parts.



WARNING

All cover plates, enclosures, and guards must be maintained in place at all times, except during maintenance and servicing.

4.3 What to do in an emergency



DANGER

Risk to life

Never get yourself into danger; give your own safety top priority.

What to do in the event of a fire

- Switch off the heating system.
- Call your local fire department and / or 911.
- Use approved fire extinguishers (fire protection class ABC).

What to do if you smell smoke

- Switch off the heating system.
- Close the doors leading to living areas.
- Ventilate the boiler room.

5 Prerequisites for installing a pellet boiler

The following must be fulfilled before the installation and operation of a fully automatic pellet boiler.

5.1 Guidelines and standards for installing a pellet boiler


Overview of standards and guidelines applying to the installation of a pellet boiler.

Check whether you need to obtain planning permission or approval from the authorities for installing a new heating system or changing your existing system. Legislation in your country must be observed.

5.2 Installation room

The installation room of the boiler is not necessarily a boiler room. Observe the applicable national and regional regulations.

1. Safety warnings for the installation room

	DANGER
<p>Risk of fire Do not store flammable materials or liquids in the vicinity of the pellet boiler. Do not permit unauthorized persons to enter the boiler room - Keep children away. Do not operate with fuel loading or ash removal doors open.</p>	

2. Ventilation of the installation room

The installation room must have air inlet and outlet openings for ventilation, even if there is a direct connection to the burner for combustion air. This is to keep the combustion zone at a neutral pressure. For each pellet boiler in the room, there must be at least 31 square inches of opening to outside air, NOT to an adjacent room.

3. Admission of combustion air, the pellet boiler requires combustion air. The combustion air can be supplied by:

- a. Relying upon the boiler room air as supplied by the air inlet and outlet openings for ventilation in the installation room.
- b. Independently of the room air via a separate air intake line with a direct connection to the outdoor atmosphere.
 The air intake line must not follow the sewage pipe. The diameter of the air intake line must be at least 4 inches. If the air line is greater than 12 feet in length, or if it has more than 270 degrees of turns, then it should be increased in size to 5 inch.

Never operate the pellet boiler if the air intake openings are partially or completely closed. Contaminated combustion air can cause damage to the pellet boiler. Never store or use cleaning detergents containing chlorine, nitrobenzene or halogen in the room where the heating system is installed, if combustion air is drawn directly from the room. Be particularly cautious around swimming pools and chemicals.

Do not hang out washing in the boiler room.

Prevent dust from collecting at the combustion air intake to the pellet boiler.

4. System damage due to frost and humidity

The temperature in the installation room must not drop below 38°F and must not exceed +86°F. The relative humidity in the installation room must not exceed 70%.

5. Danger for animals

Prevent pets and other small animals getting into the installation room. Install grilles over all openings.

6. Flooding

In the event of a flooding risk, switch off the pellet boiler and disconnect it from the main power supply

before water enters the boiler room. All components that come into contact with water must be replaced before the pellet boiler is put into operation again.

5.3 Flue gas system

The flue gas system consists of a chimney and a flue gas tube. The flue gas tube connects the pellet heating system to the chimney. The chimney leads the flue gas from the pellet heating system out into the open.

1. Design of the chimney

The dimensions and design of the chimney is very important. The chimney must be able to ensure sufficient draft to safely draw away the flue gas regardless of the status of the boiler. Low flue gas temperatures can cause sooting and moisture damage on chimneys that are not insulated. For this reason **moisture-resistant chimneys** (stainless steel or ceramic) should be used. An existing chimney that is not damp-resistant needs to be renovated before use. Follow guidelines below:

Boiler size		AutoPellet
Flue gas tube diameter (at boiler)	inch/mm	7/180
Flue gas temp. / rated power	° F	266 - 320
Flue gas temp. / partial load	° F	194 - 248
Min. draft - full load/part load	in/wc	- 0.04 / - 0.02

Chimney size	Min. Height
6in x 6in	17ft
7in x 7in	16ft
8in x 8in	16ft
6in round	19ft
7in round	17ft

NOTICE

Person(s) operating a hydronic heater is/are responsible for operation in a manner that does not create a public or private nuisance condition. The manufacturer's distance and stack height recommendations and the requirements in any applicable laws or other requirements may not always be adequate to prevent nuisance conditions due to terrain or other factors.

Recommended and UL-103HT approved chimney materials are:

- Selkirk sure temp
- Supervent (JSC)
- Security chimneys (secure temp ASHT)

Use flue gas pipe from chimney to boiler as required by your local code.



CAUTION

Unregulated combustion

Please observe that combustion air openings and flue pipes are not reduced in size or closed. Make end user aware of these guidelines and their potential danger. Clean the chimney and the flue gas tube at regular intervals. Check if the draft inducer is clean and in a good condition.

2. Flue gas temperature

The flue gas temperatures are approximately the same for all AutoPellet covered in this manual.

The dewpoint of flue gas with wood pellets (max. 10% water content) is approx. 120°F.

It is possible to increase the flue gas temperature to prevent condensation inside the chimney and avoid damage due to damp. Only authorised installers may increase the flue gas temperature.

Note:

The increase in flue gas temperature results in reduced efficiency and thus increases fuel consumption.

3. Negative pressure of the chimney

The boiler must be connected to a chimney or a vertical venting system that is capable of handling and producing a negative breeching pressure of -0.4 "WC. Use a draft gauge to verify the indicated draft value, adjust barometric damper as required. Drill a small hole in the connection pipe at about 2in/ 50mm from the boiler flue outlet and use this hole as your measuring point.

Chimney draft

The suction effect of the chimney draft must extend all the way to the boiler flue pipe connection. The maximum flow rate that can be drawn through the chimney limits the maximum performance of the chimney connection. The boiler performance must be reduced if the chimney does not possess the necessary cross-section. This may only be performed by authorised personnel.

4. Cleaning

Clean the flue gas tube and chimney regularly. Solid fuel burning appliances need to be cleaned frequently because soot, creosote, and ash may accumulate. The hotter the fire, the less creosote is deposited. Cleaning intervals can vary in warm periods due to this and become more frequent.



DANGER

Risk of chimney fire

Creosote-formation and need for removal: Low flue gas temperature can cause creosote. Creosote can condense in a relatively cool chimney. As a result, creosote residue accumulates on the flue lining. If ignited, this creosote will create an extremely hot fire. The chimney and the chimney connector should be inspected at least twice monthly during the heating season to determine if a creosote buildup has occurred. If creosote has accumulated it should be removed to reduce the risk of a chimney fire.

NOTICE

Oxidation of chimney

Do not use metal brushes to clean chimneys made of stainless steel.

Your state and local regulations must be observed.

5.4 Safety systems

The following safety measures are the prerequisite for safe operation of your system.

Emergency stop switch

Every heating system must be able to be switched off with an Emergency Stop switch. The Emergency Stop switch location is determined by your local code requirement. It should remove all electrical power from the boiler.



Safety valve / Over Pressure Relief Valve

This valve opens when the pressure inside the heating system increases to max. 43.5 PSI. For North America, a 30 PSI Relief Valve is supplied with each boiler. This valve must not be locked out or plugged and must be within 3 feet of the boiler, with no valves between the relief valve and boiler.



Low Water Detection

The "Low Water Detection" device is connected to the Emergency Stop of the boiler. Should a low water condition be detected, the boiler stops firing immediately. This device must be of the manual reset variety.



Safety temperature sensor

The pellet boiler is equipped with a safety temperature sensor. This is located on the pellet boiler. If the boiler temperature exceeds 230° F, then the heating system switches off.



Expansion tank

All heating systems must be equipped with an expansion tank. The overall size of the heating system volume will dictate the required expansion tank size.



NOTICE

Initial start-up

The initial start-up of each MESys boiler must be performed by an authorized installer.

5.5 Installation with an existing boiler

MESys boilers are not to be connected to a chimney flue serving another appliance. However, when all State and local codes allow for the sharing of chimney flues, MESys boilers and another appliance burning pellets or a different fuel can be operated simultaneously while connected to a single existing chimney or flue gas system providing the following conditions are met:

- All state and local codes permit the specific installation.
- All appliances are installed in accordance with the manufacturer's installation specifications or if lacking manufacturers specifications, the appliance in question is installed in a manner commonly recognized as safe and correct for the application and circumstances.
- The chimney or flue gas system must be able to handle the combustion products of either appliance and both appliances when operated simultaneously.

NOTICE

Avoid clearance issues that can make servicing difficult:

Be sure to follow suggested clearances when installing this boiler with an existing boiler to be sure that service and cleaning can be performed adequately.



CAUTION

Avoid code violations:

When connecting to or with an existing boiler, contact the authority having jurisdiction to be sure the type of installation planned is allowed.

Document the type of boiler that the Pellematic is connected to or with.

Pellet boiler: Make and Model number:

Existing boiler: Make and Model number:



DANGER

Possible escape of flue gas:

Do not connect this unit to a chimney flue serving another appliance unless multiple appliances into a single flue is authorized by all authorities having jurisdiction.

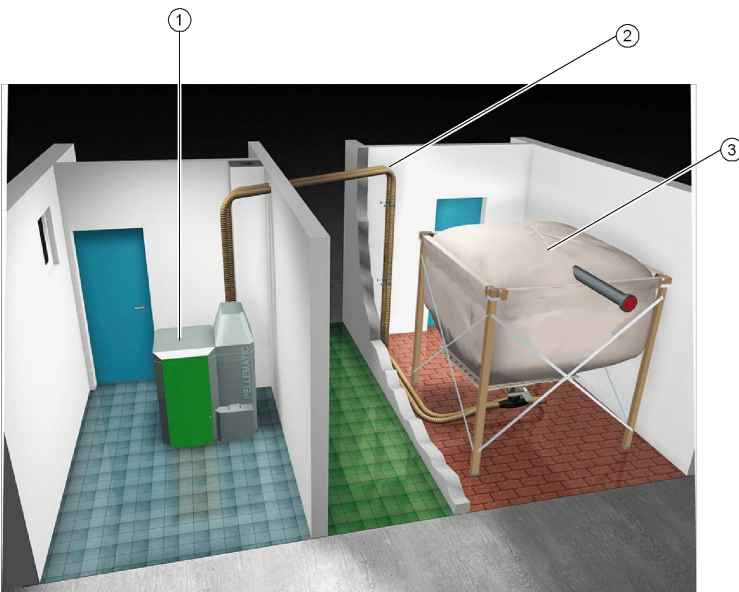
6 Product description

The description of the product is intended to provide an overview of the components that make up a pellet heating system, the parts of the pellet boiler and advice on where you can find more information.

The pellet heating system consists of 3 components

1	Pellet boiler
2	Conveyor system
3	Storage system - textile tank

Pellet boiler with textile tank



The concept features different sizes of design and type for each component. These are compatible and designed to match.

6.1 The pellet boiler

The pellet boiler is equipped with an automatic cleaning system, mounted within the fire chamber and an integrated return water temperature control. The installed programmable logic controller system enables fully automatic operation and highest efficiency. We offer an optional external automatic ash compression system for the highest level of cleanliness and convenience.

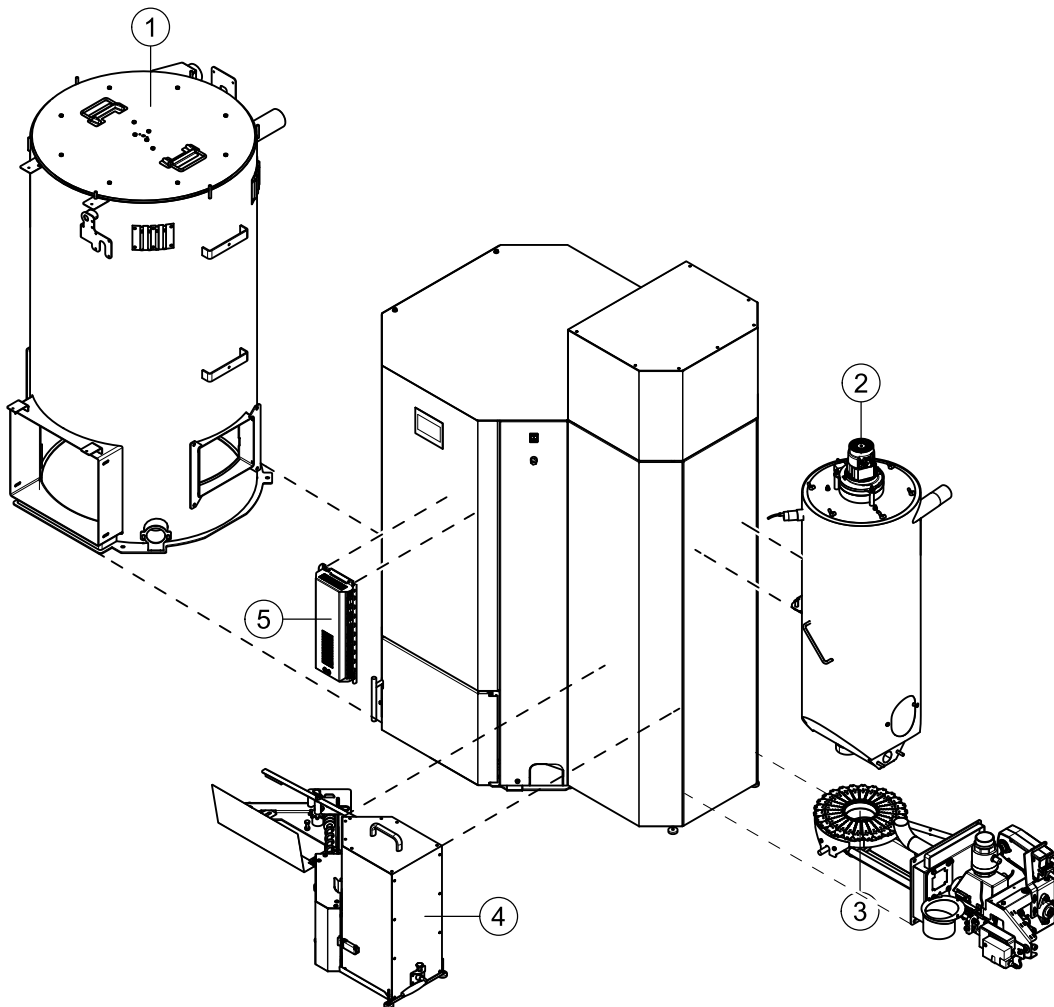
AutoPellet types and power ratings

We offer the Pellet boiler with the following power ratings:
Suction-feed systems: 68,300; 109,500 and 191,000 BTU/hr

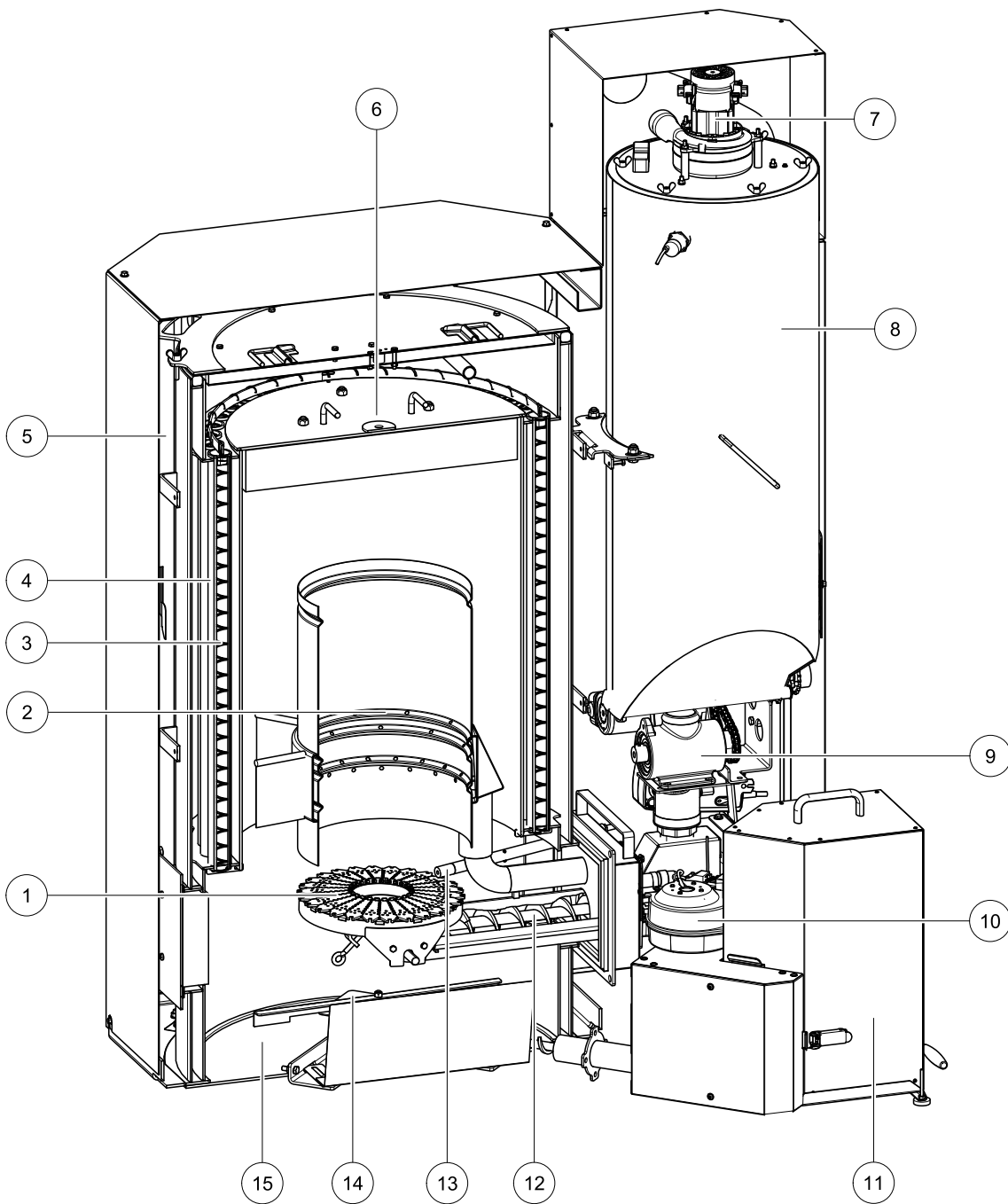
Note:

Refer to the data plate for the power rating of your AutoPellet. The data plate is located on the rear side of the AutoPellet. Here you will find the type designation, manufacturer's serial number and year of build.

Key components of the AutoPellet



1	Boiler (heat exchanger)
2	Vac Hopper / Day tank
3	Burner
4	External automatic ash compression system
5	Boiler controller



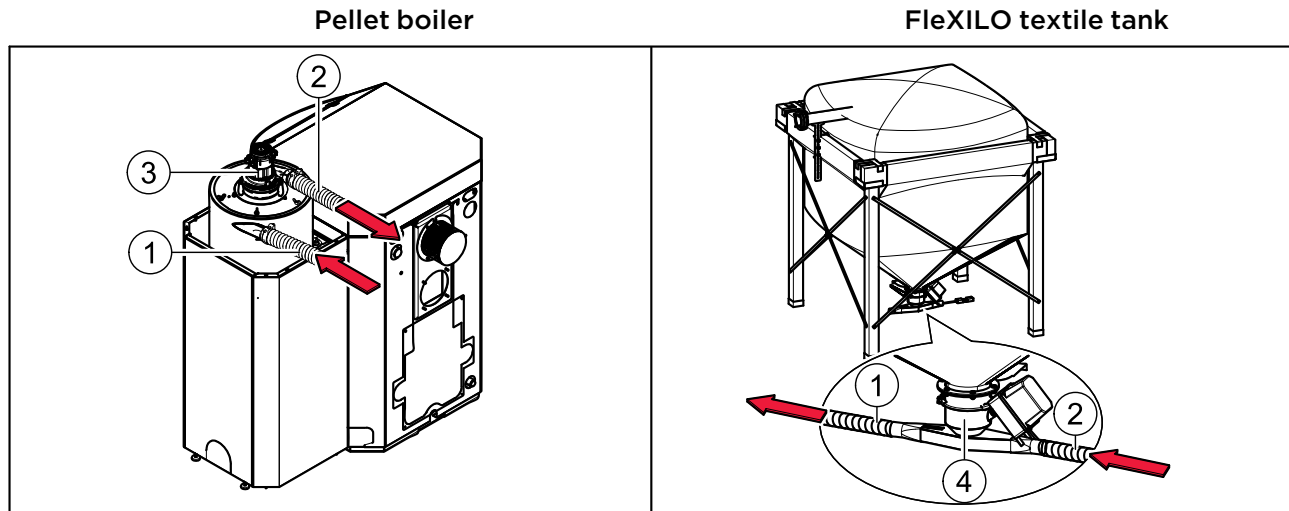
1	Burner plate	9	Fire protection - ball valve
2	Flame tube	10	Burner fan
3	Heat exchanger	11	External ash box
4	Boiler water	12	Burner auger
5	Boiler insulation	13	Electronic ignition
6	Combustion chamber cover	14	De-ashing system cover
7	Suction turbine	15	Ash chamber / Fire chamber
8	Vac hopper / Day tank		

6.2 Pellet suction system

The pellet suction system consists of a pellet line, an air line and a suction turbine. The suction turbine in the hopper conveys pellets in the pellet line from the storage room or textile tank to the hopper.

Key components of pellet suction system

1	Pellet hose	Hose from textile tank to the hopper.
2	Air hose	Hosee from the suction turbine to the textile tank.
3	Suction turbine	Located above the hopper underneath the AutoPellet burner casing.
4	Suction switch	Located underneath the textile tank.



6.2.1 Assembly of the vacuum system

The pellet hose and the air hose are flexible spiral hoses made out of plastic. A copper braid avoids the static loading of the spiral hose.

To avoid damage to the spiral hose, you must observe the following assembly guidelines:

- Bending radius** The hose should be led as briefly as possible and with a few curves as necessarily. Bending radius may never be smaller than **12inch**.
- Upward gradients** Max difference in height = **236inch**
Note: A difference in height of up to 118inch can be overcome at one time. Larger differences in height must be interrupted with a 4 foot horizontal run of the pellet hose.
- Impact protection** The spiral hose can be mounted up to 236inch exactly straight. In such cases however, it is very important to create a slight "S" in the pellet piping before a sharp curve to slow down the pellets to prevent hose damage.
- Installation in the soil and openings:** When installing pellet lines underground remember! The pellet lines are not designed for direct burial and require protection from being crushed or chewed by varmints. Protective piping should be minimum 4 inch and sealed at each end. There should be no bends greater than 15 degrees in the underground sections of the pellet hose.
- Tightness** To avoid problems with your pellet lines, it is important to have all hose connections secured completely air tight with hose clamps.
- Static neutralization** The hoses are provided with a copper braid, those the hose keeps antistatic. In order to ensure the function of the anti-statics, those copper braid must be attached at each end to the existing grounding become.
- Fire protection** At a wall break-through to the heating room must be installed a fire protection seal in the pellet- and the air hose.

Crossing

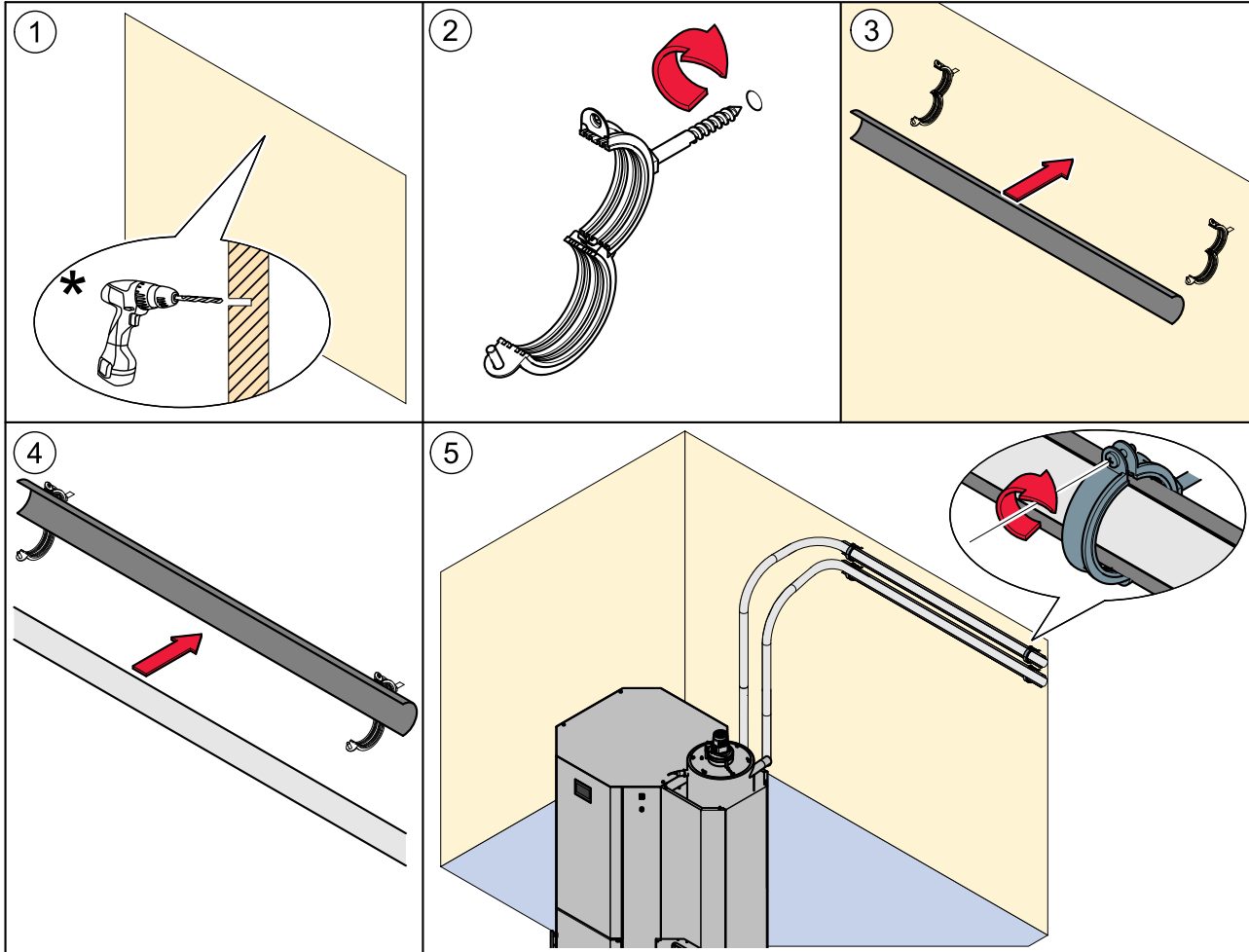
The pellet hose and the air hose should cross each other as few times as possible.

Length of the spiral hose

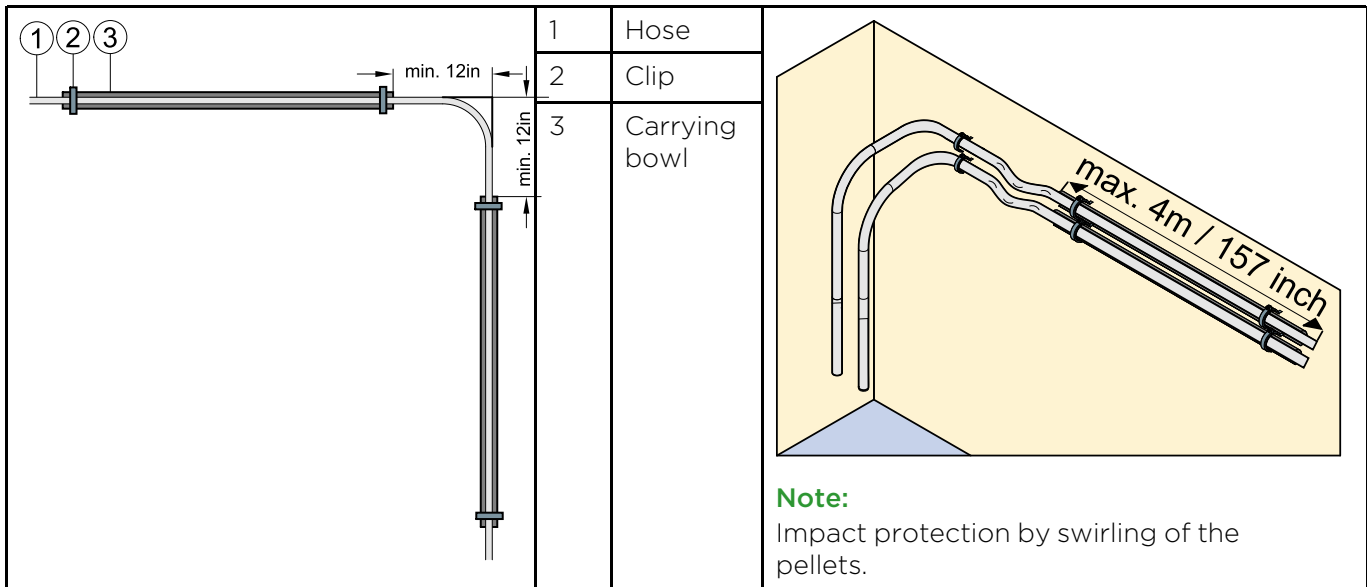
The maximum total length of the spiral hose is 130 feet.
The maximum for pellet hose and air hose are each 60 feet.

Assembly

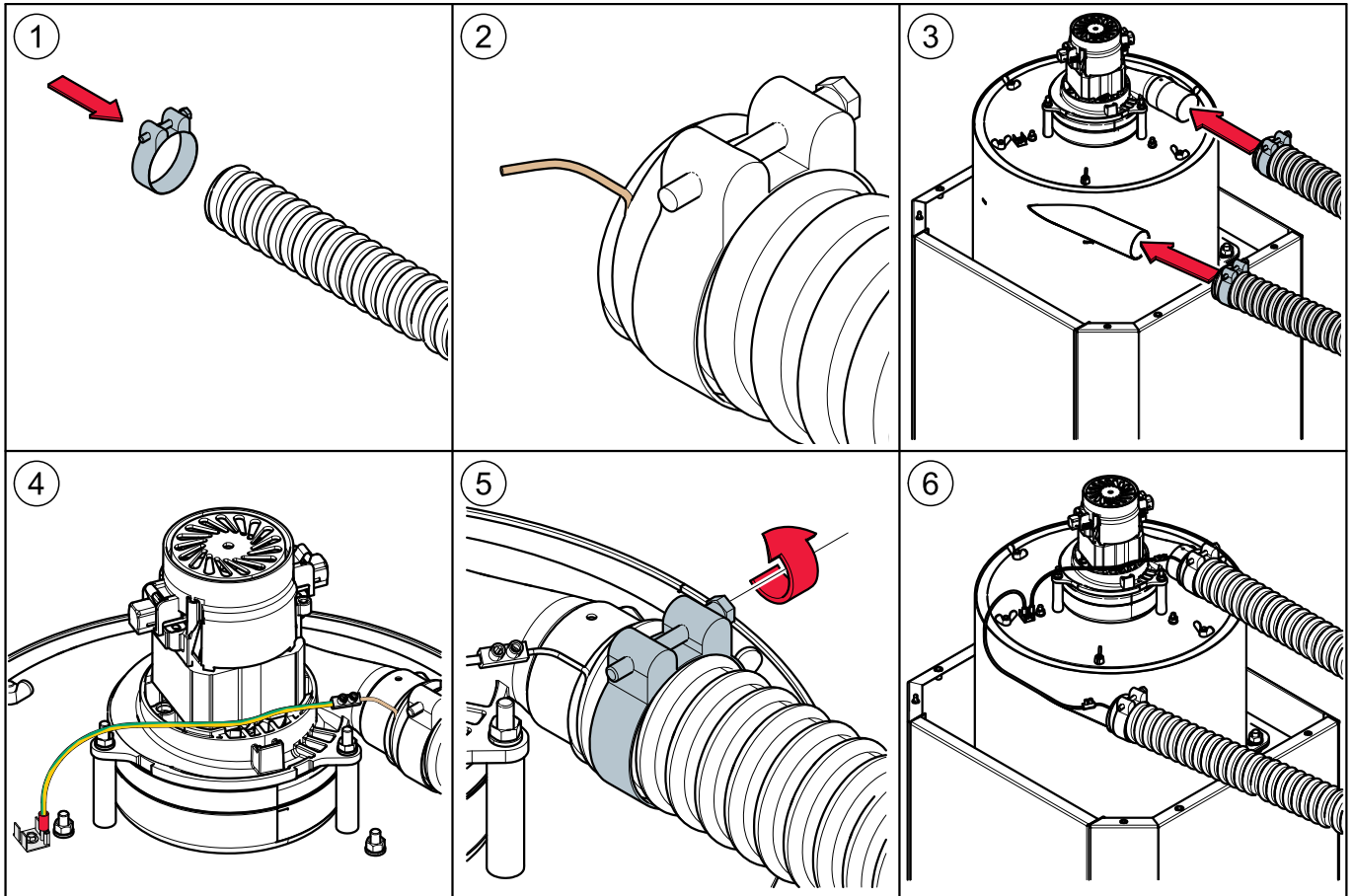
Use securing clips and carrying bowls.



*Pay attention to the defined distances!



Connection of the pellet and air hose to the suction turbine



6.3 Storage systems

There are two methods for storing pellets: in a storage room with an auger feed system (version A) or in a FlexILO fabric tank (version B). FlexILO fabric tanks can be located inside the central heating room, storage room or protected from wet and sun outside.

NOTICE

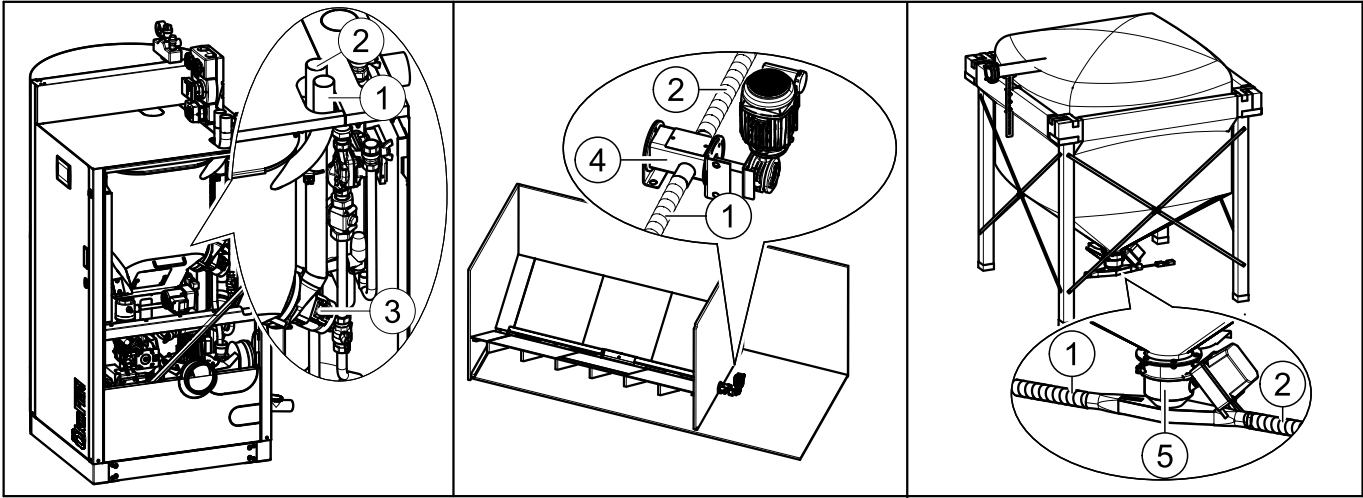
Damage to property and loss of warranty

The use of an MESys boiler with a storage or conveyor system from another manufacturer is not permissible and will result in voiding your warranty along with unpredictable operation.

6.3.1 Flexilo fabric tank

The whole fabric tank system is included in the scope of supply. MESys offers various sizes and types. The fabric tank supplied may vary from the example shown below.

Please refer to the installation instructions supplied for the fabric tank. Note also the instructions on setting up and filling.



NOTICE

DAMAGE TO PROPERTY

Fans should not be used to ventilate the storage room or boiler room. The use of passive ventilation is required, or the use of a sophisticated system that balances outside and inside pressure in the boiler

7 Bringing the pellet boiler into the boiler room

This section describes the prerequisites as well as the working sequence required.

1. Transport
2. Notes on bringing the unit into the building
3. Casing parts
4. Dismantling the casing parts

7.1 Transport

We supply the pellet boiler on a pallet. The pellet boiler is ready to be connected. The control unit for the boiler controller and the operating device is integrated into the control panel.

If it is not possible to bring the boiler into the building at ground level, then you can remove the casing, the burner, the hopper and the boiler controller. This will reduce the weight of the unit and make it easier to carry.

NOTICE

Contamination and corrosion

Make sure that the pellet boiler is located under a roof if it needs to be stored outside before it is transported/ brought into the building. It is also necessary to transport the boiler in a closed in truck or trailer. Boilers transported otherwise will lose their warranty.

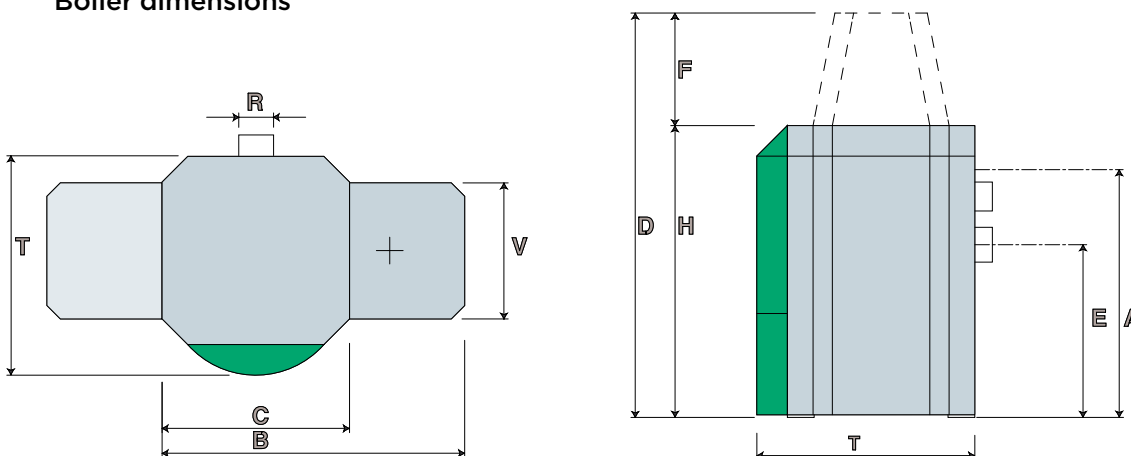
7.2 Notes on bringing the unit into the building

Before bringing the unit into the building, check the dimensions of all doors to ensure that the boiler has sufficient clearance and can be set up properly.

Minimum door width — max. unit dimension

PE, PES	12, 15, 20	27,5 inch / 750mm
PE, PES	25, 32	29,75 inch / 800mm
PES	36, 48, 56	31,2 inch / 900mm

Boiler dimensions



Boiler size		PE(S) 12	PE(S) 15	PE(S) 20	PE(S) 25	PE(S) 32	PE(S) 36	PE(S) 48	PE(S) 56
B - Overall width of pellet boiler	inch	44 1/2	44 1/2	44 1/2	46 3/4	46 3/4	51	51	51
	mm	1130	1130	1130	1186	1186	1297	1297	1297
C - Width of boiler casing	inch	27 1/2	27 1/2	27 1/2	29 3/4	29 3/4	34	34	34
	mm	700	700	700	756	756	862	862	862
H - Height of boiler casing	inch	43	43	43	51	51	61	61	61
	mm	1090	1090	1090	1290	1290	1553	1553	1553
D - Height of pellet suction system	inch	55	55	55	63	63	73	73	73
	mm	1392	1392	1392	1592	1592	1855	1855	1855
F - Height of suction filling unit	inch	12	12	12	12	12	12	12	12
	mm	302	302	302	302	302	302	302	302
T - Depth of boiler casing	inch	32	32	32	34 1/4	34 1/4	39	39	39
	mm	814	814	814	870	870	990	990	990
V - Depth of burner casing	inch	20	20	20	20	20	20	20	20
	mm	508	508	508	508	508	508	508	508
E - Flue gas tube connection height	inch	25 1/2	25 1/2	25 1/2	33 1/4	33 1/4	41	41	41
	mm	645	645	645	844	844	1040	1040	1040
A - Height of supply/return	inch	35 3/4	35 3/4	35 3/4	43 3/4	43 3/4	52	52	52
	mm	896	896	896	1110	1110	1320	1320	1320
R - Diameter of flue gas tube	inch	5	5	5	6	6	7	7	7
	mm	130	130	130	150	150	180	180	180

Boiler Weight

Boiler size		PE(S) 12	PE(S) 15	PE(S) 20	PE(S) 25	PE(S) 32	PE(S) 36	PE(S) 48	PE(S) 56
Weight of boiler packaged on pallet with wooden frame	Lb	858	858	858	1003	1003	1430	1430	1430
Weight of boiler with casing, hopper and burner	Lb	533	542	551	696	705	1327	1336	1344
Weight of boiler without casing, hopper and burner	Lb	529	529	529	664	664	930	930	930

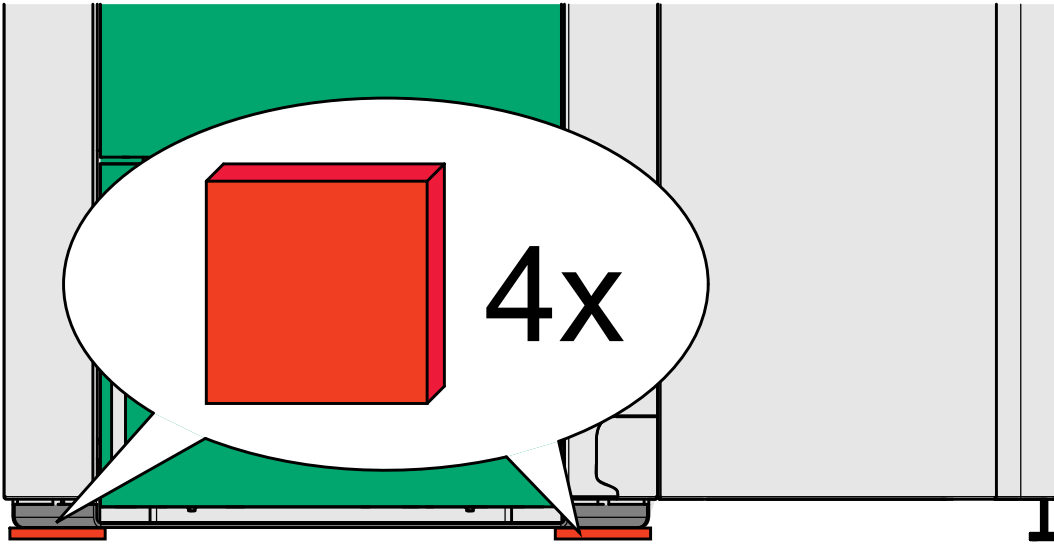
Minimum clearance dimensions required

Note:

To install the heating system properly and ensure economical operation, you need to make sure that minimum clearance dimensions indicated below are observed when setting up the boiler. **In addition, make sure that legislation in your country is complied with relating to the minimum clearance of the flue gas tube.**

	a	Minimum clearance to the edge of removable top cover of the boiler. For flue pipe clearance, refer to applicable codes.	inch mm	18 450
	b	Min. clearance of side of boiler	inch mm	5 50
	c	Min. clearance of front of boiler	inch mm	28 700
	d	Min. clearance to housing - burner side.	inch mm	12 300
	e	Min. ceiling height. And the distance from ceiling to top of boiler must be enough to remove all covers.	inch mm	80 2000
<p>Note: Place the boiler according to the minimum clearances to the flue pipe connection point as defined in NFPA 31, or if NFPA is not recognized, then the code pertinent to the installation location. Make sure that you also comply with local legal regulations. For clearances required for floor protection, see following page.</p>				

Placement of rubber plates



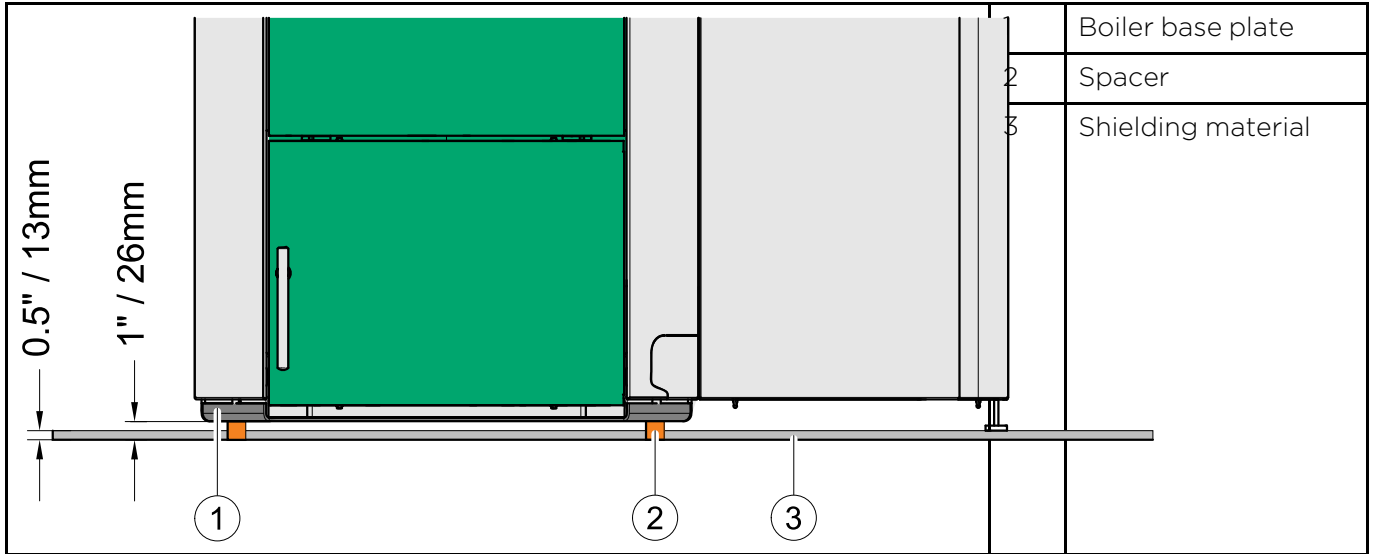
NOTICE

The pellet heating boiler must be placed on the supplied rubber plates.

7.3 Flooring

The boiler room floor must be flat and level and must be able to support boiler gross weight. The floor must comply with the requirements of NFPA 31.

Generally the boiler should be placed on non-combustible floors. However, a shielding material can be placed underneath the boiler and the chimney connector in the case of a combustible floor like shown on the following drawing.



The spacer must be able to support the weight of the boiler and has to be non combustible. The shielding material must be equivalent to a 1/2 in / 13mm micro board with a K-value of 0.49 (W/m K) (R-value of 1.02 Km2/W) or greater. For more information contact Maine Energy Systems.

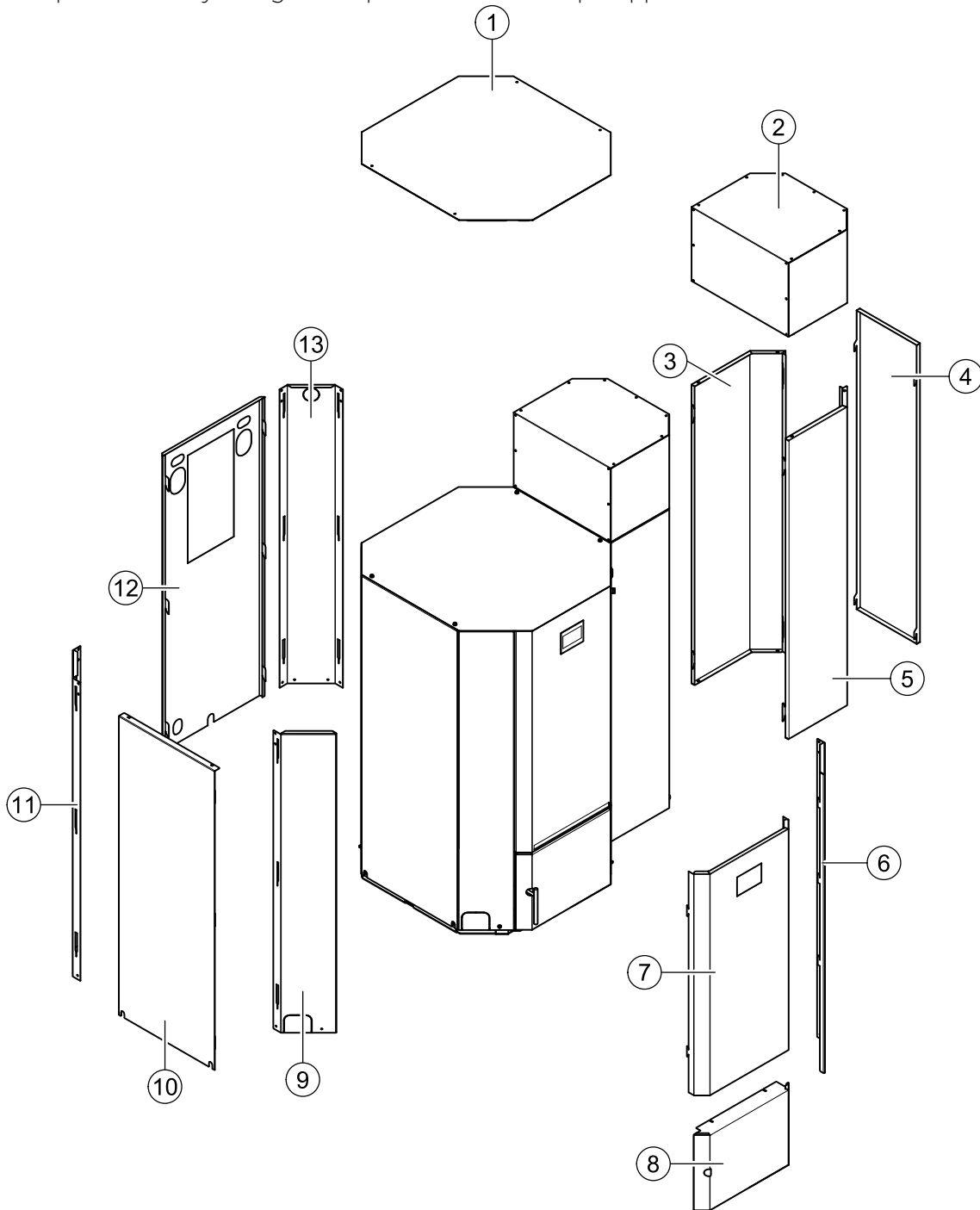
DANGER

Risk of fire:
The non-combustible flooring needs to extend out to the clearances shown on the chart below.

	Minimum clearances of shielding material required for floor protection		
	Min. clearance of the shielding material from the boiler back - Note also the local restrictions in your area (a)	inch	17
	Min. clearance of the shielding material from the boilers left side panel (b)	inch	8
	Min. clearance of the shielding material from the boilers front panel (c)	inch	27
Min. clearance of the shielding material from the boilers right side panel (d)	inch	12	

7.4 Casing parts

The boiler is protected by a casing on all sides. The casing parts prevent contact with hot, moving and live components. They also give the pellet boilers a unique appearance.



1	Boiler casing cover	7	Boiler side panel with opening
2	Boiler rear panel	8	Burner side panel (same as 11)
3	Boiler side panel without opening	9	Burner lug without opening
4	Boiler door panel (semi-circle)	10	Burner cover suction system
5	Boiler front panel (semi-circle)	11	Burner side panel (same as 8)
6	Boiler raise panel (semi-circle)		

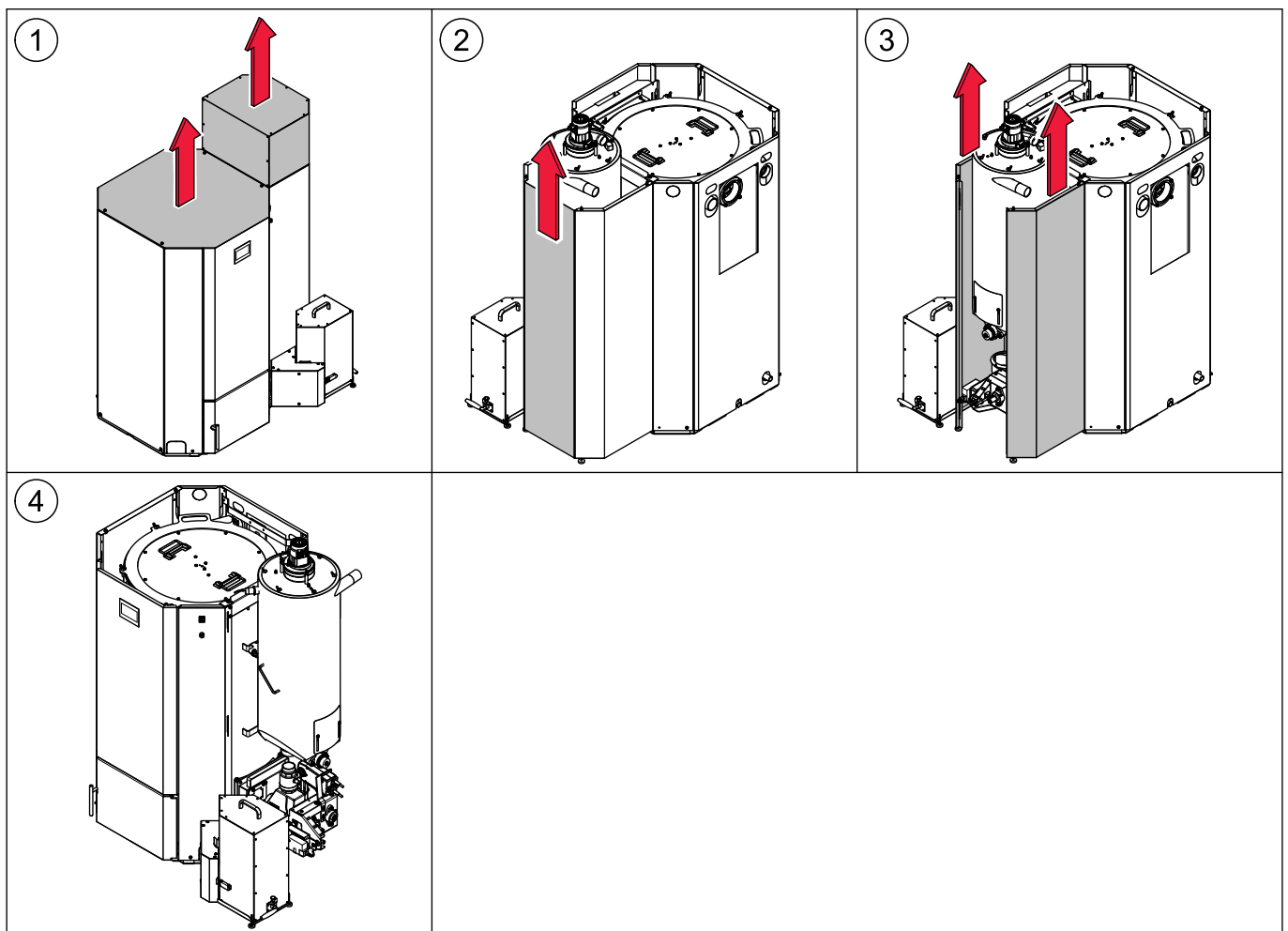
7.5 Removing the casing, the hopper and the burner

Dismantle the pellet boiler as far as necessary if site conditions require, so that the unit can be brought safely into the building.

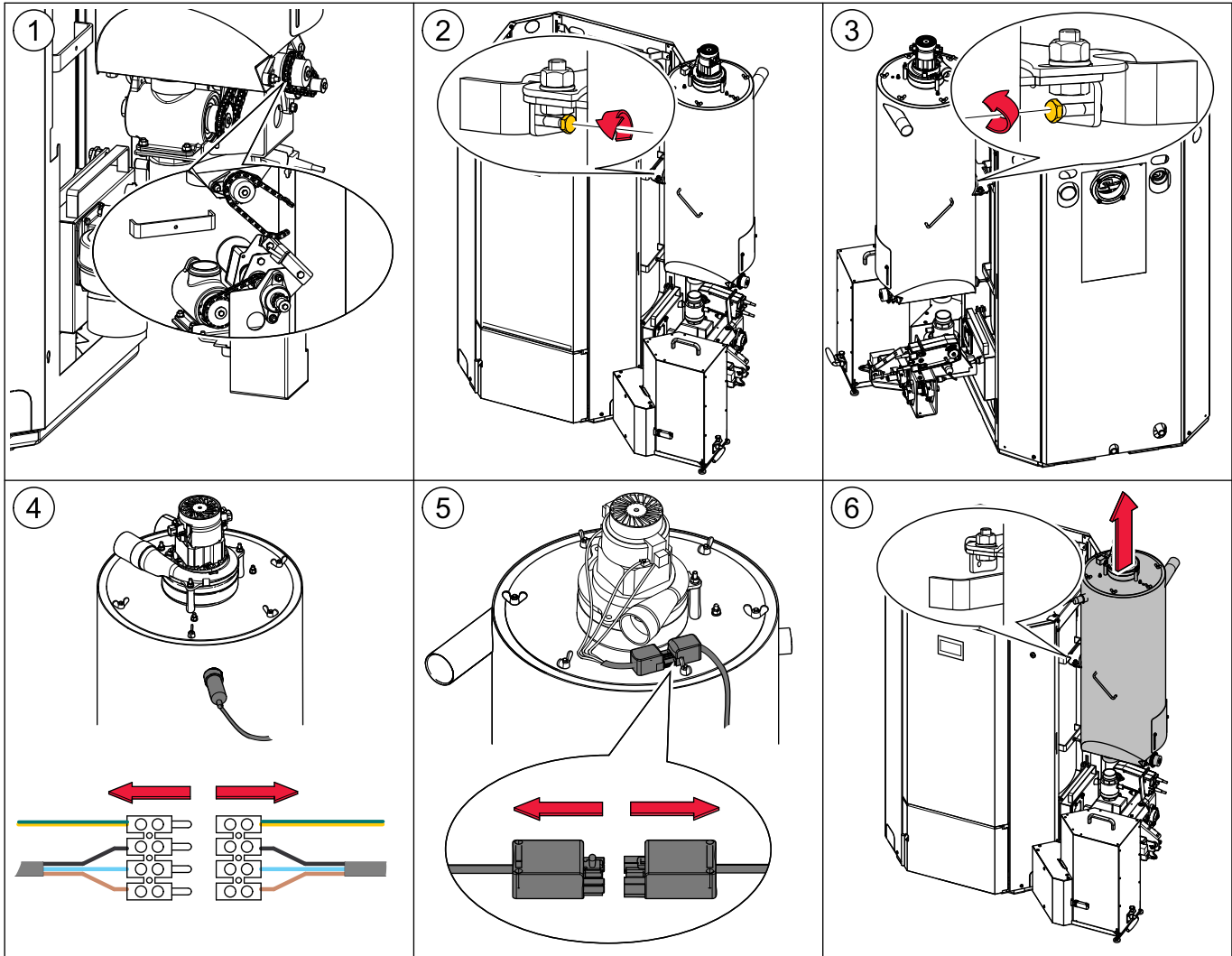
The complete dismantling of all components described here is divided into the following sections:

1. Dismantling the burner casing
2. Dismantling the hopper
3. Dismantling the burner
4. Dismantling the boiler door
5. Dismantling the boiler casing

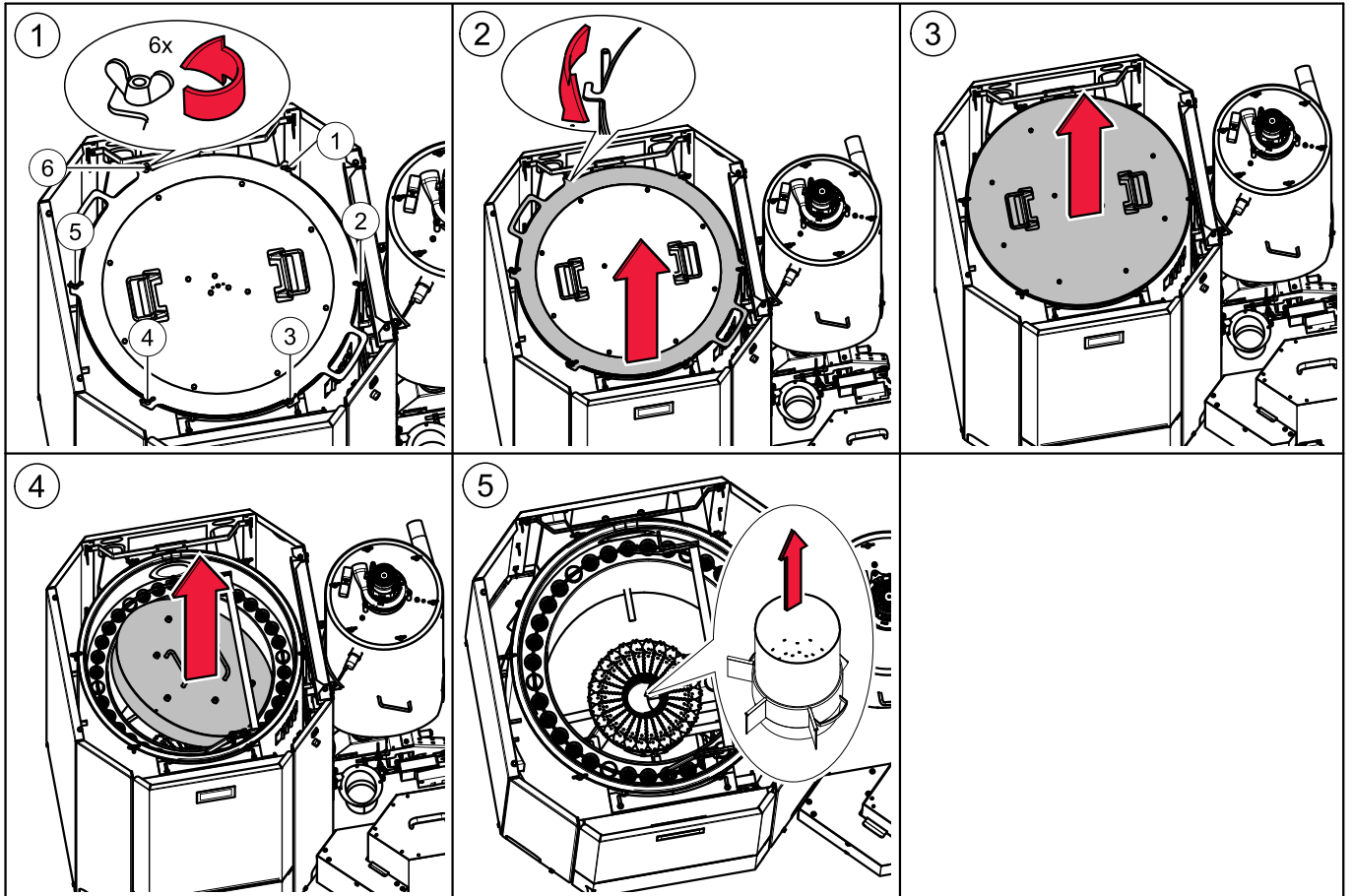
7.5.1 Dismantling the burner casing

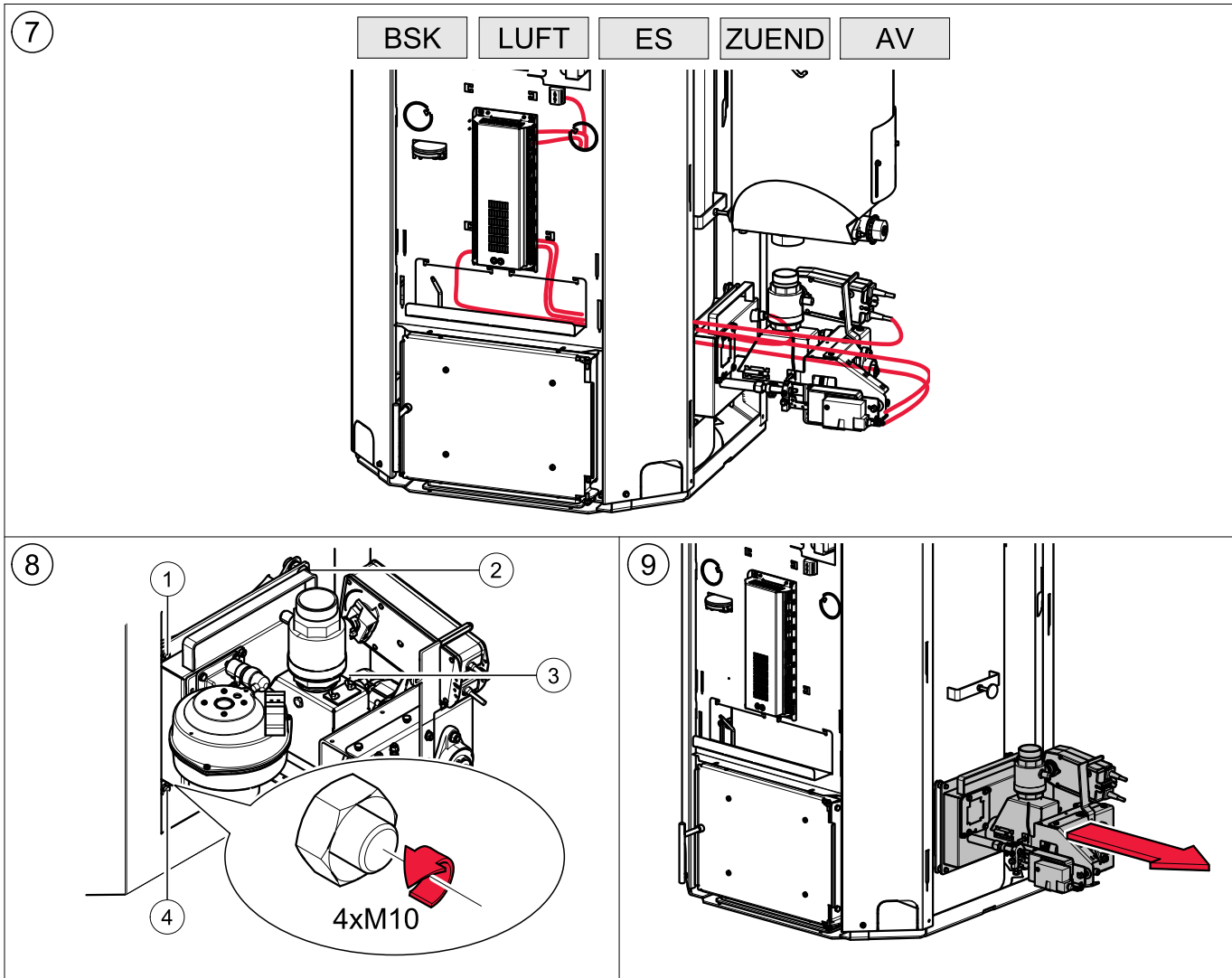


7.5.2 Dismantling the hopper



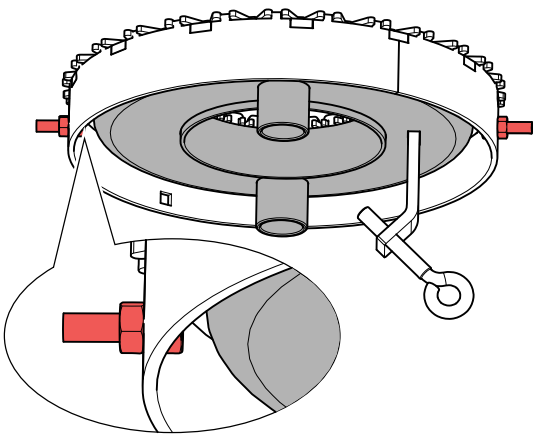
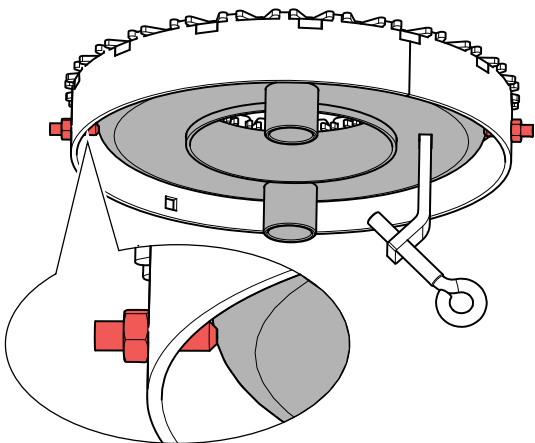
7.5.3 Dismantling the burner



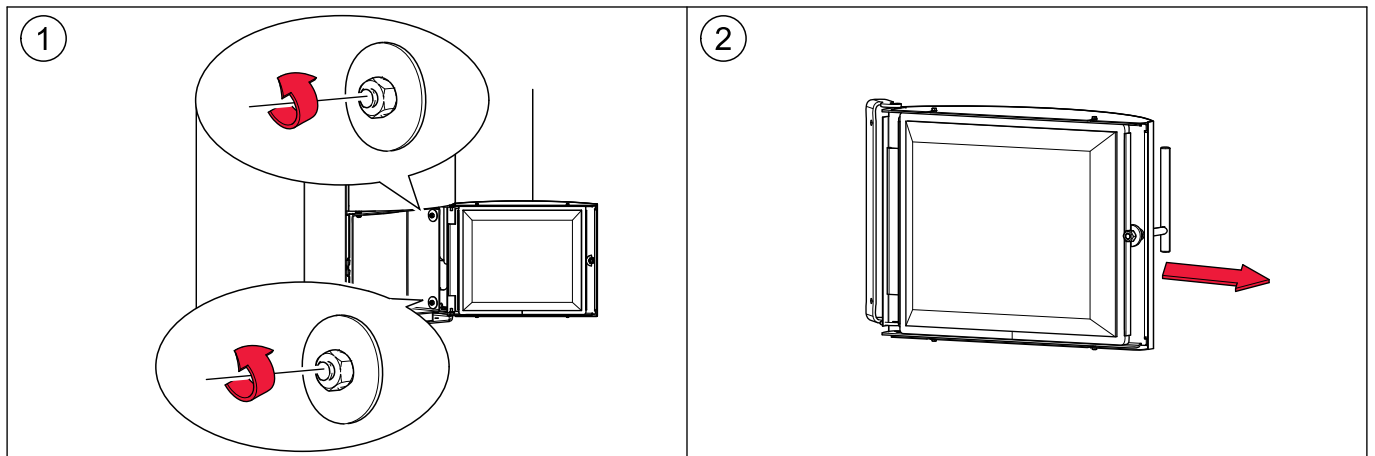


Multi segmented burner plate

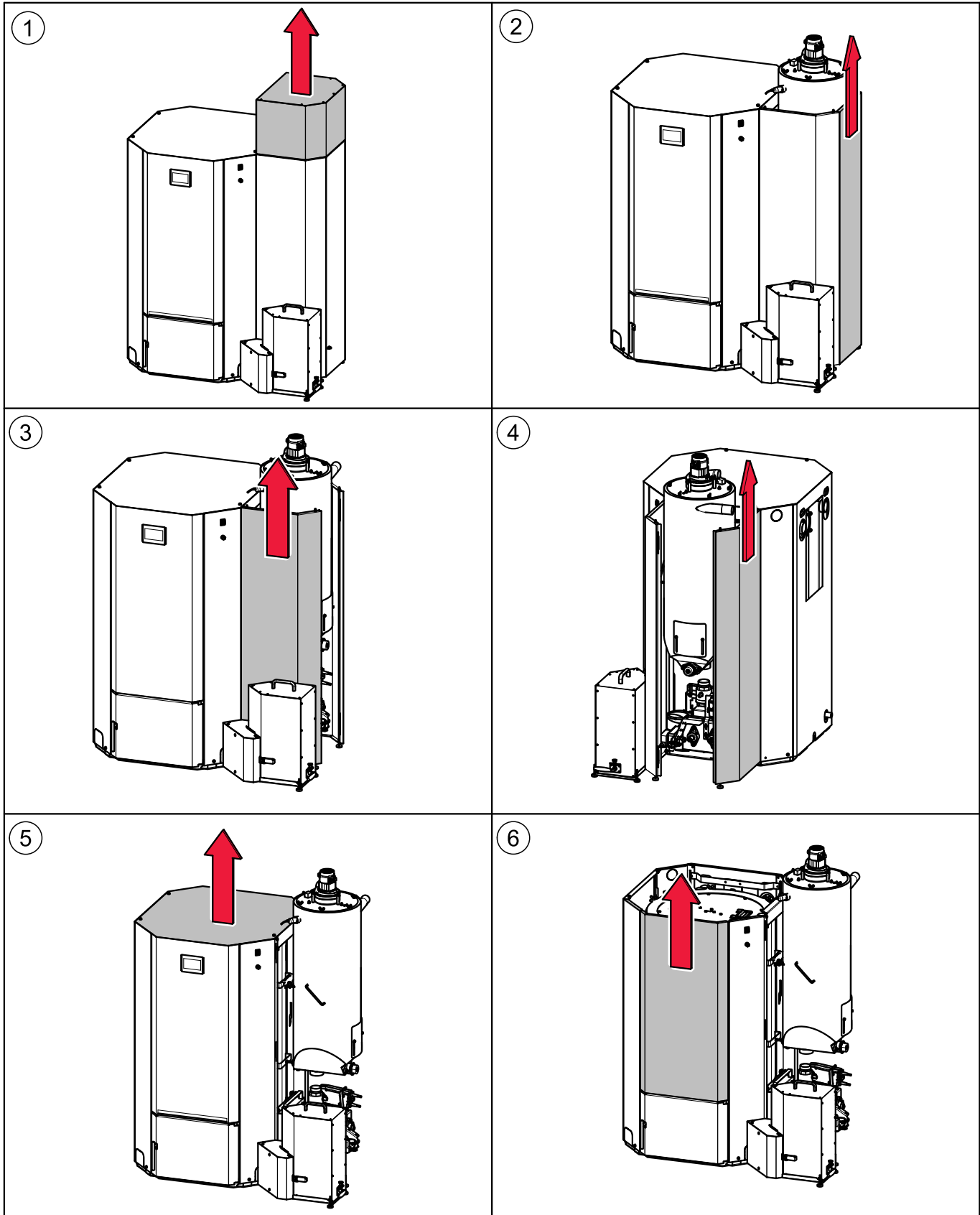
There are 2 mounting variations:

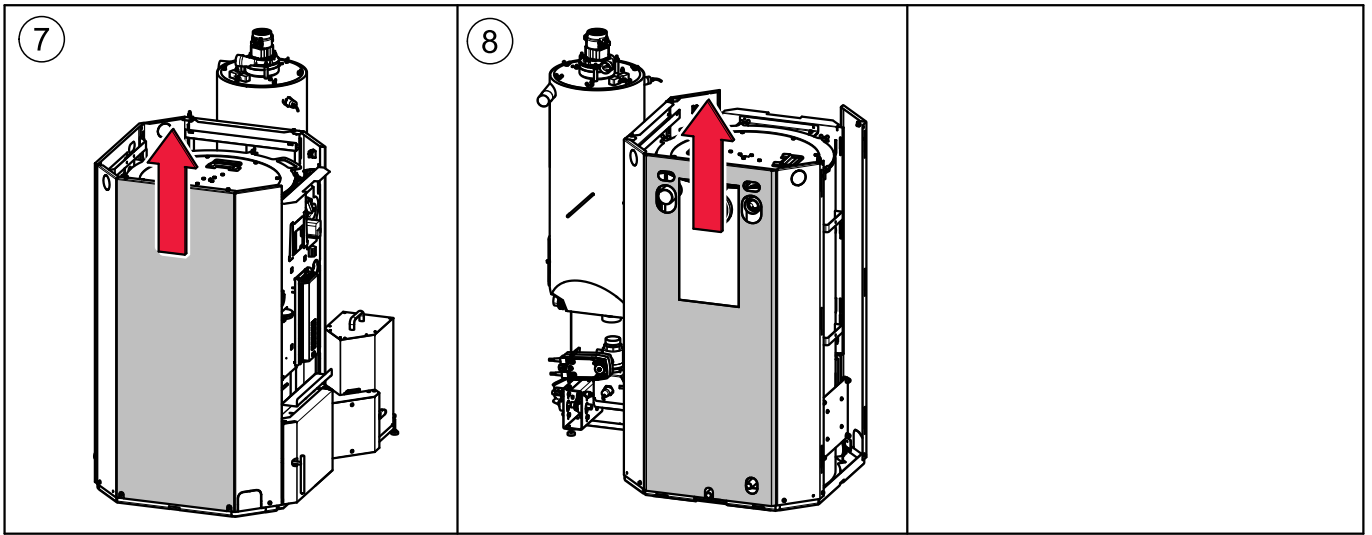
<p>With burner plate cleaning system: Bolts loosened</p>	<p>Without Burner plate cleaning system: Bolts tightened</p>
	
<p style="text-align: center;">NOTICE</p> <p>Damage to property The safety screws for rotating the Multi segmented burner plate must be loosened/removed when exchanging the Multi segmented burner plate.</p>	<p style="text-align: center;">NOTICE</p> <p>Damage to property The safety screws for rotating the Multi segmented burner plate may not be loosened/removed when mounting.</p>

7.5.4 Dismantling the boiler door



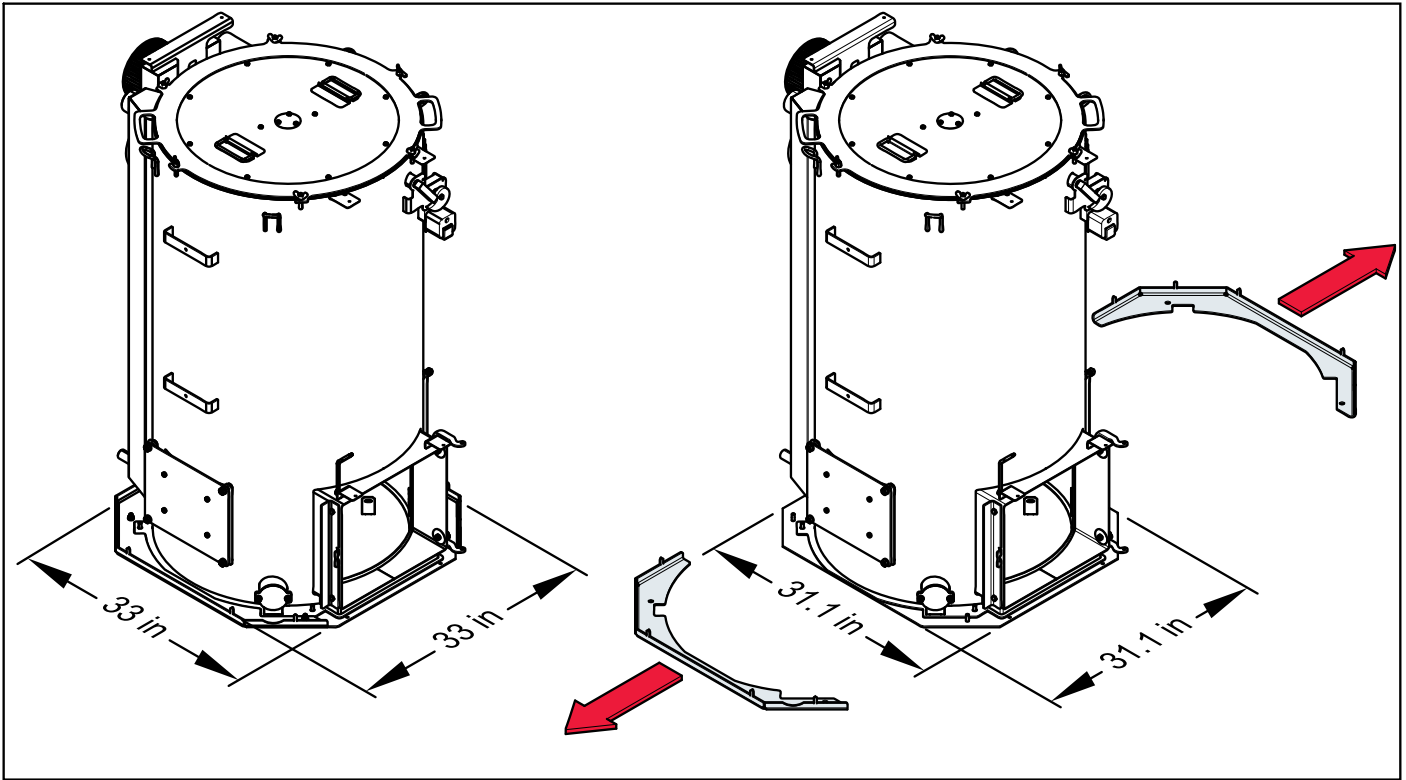
7.5.5 Dismantling the boiler casing





7.5.6 Deassembling the base plate

The base plate consists of three parts. Two parts on the left and the right side can be deassembled.



Note:

31.1 inch is the minimum width of the boiler.

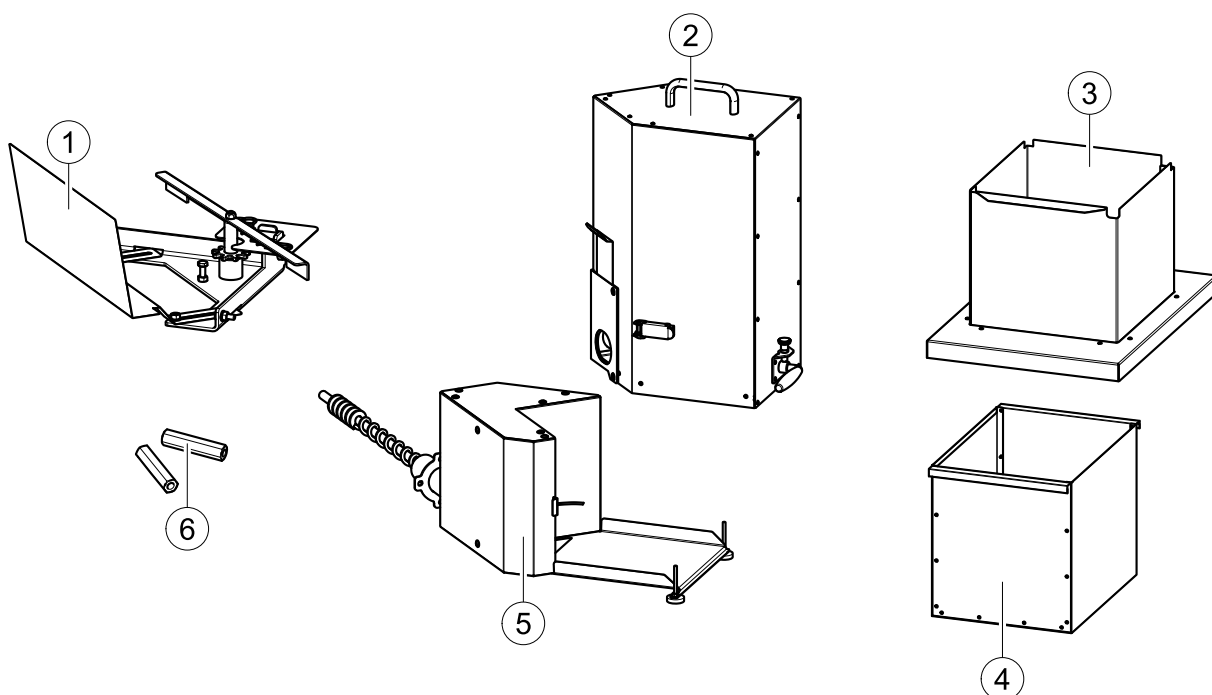
8 External de-ashing / automatic ash compaction system

We offer an automatic external de-ashing system.

1. Description of de-ashing system
2. How the de-ashing system works
3. Installing the de-ashing system
4. Emptying the de-ashing system

8.1 Description of de-ashing system

The de-ashing system compresses the ash and conveys it from the ash chamber into the ash box. The ash box enables the ash to be easily disposed off without creating dust.



1	Turnstile with agitator, door plate and mounting bolts	5	Ash container
2	Ash box with single-hand lever	6	Sub-assembly with extractor auger and cable
3	Mounting frame	7	Extended nuts to secure the sub-assembly
4	Cable duct with mounting bolts	8	1 pack of bio-bags

Note:

All components for the de-ashing system are packaged in a separate box which is shipped together with the boiler. Open the box and check that all parts are available before starting work.

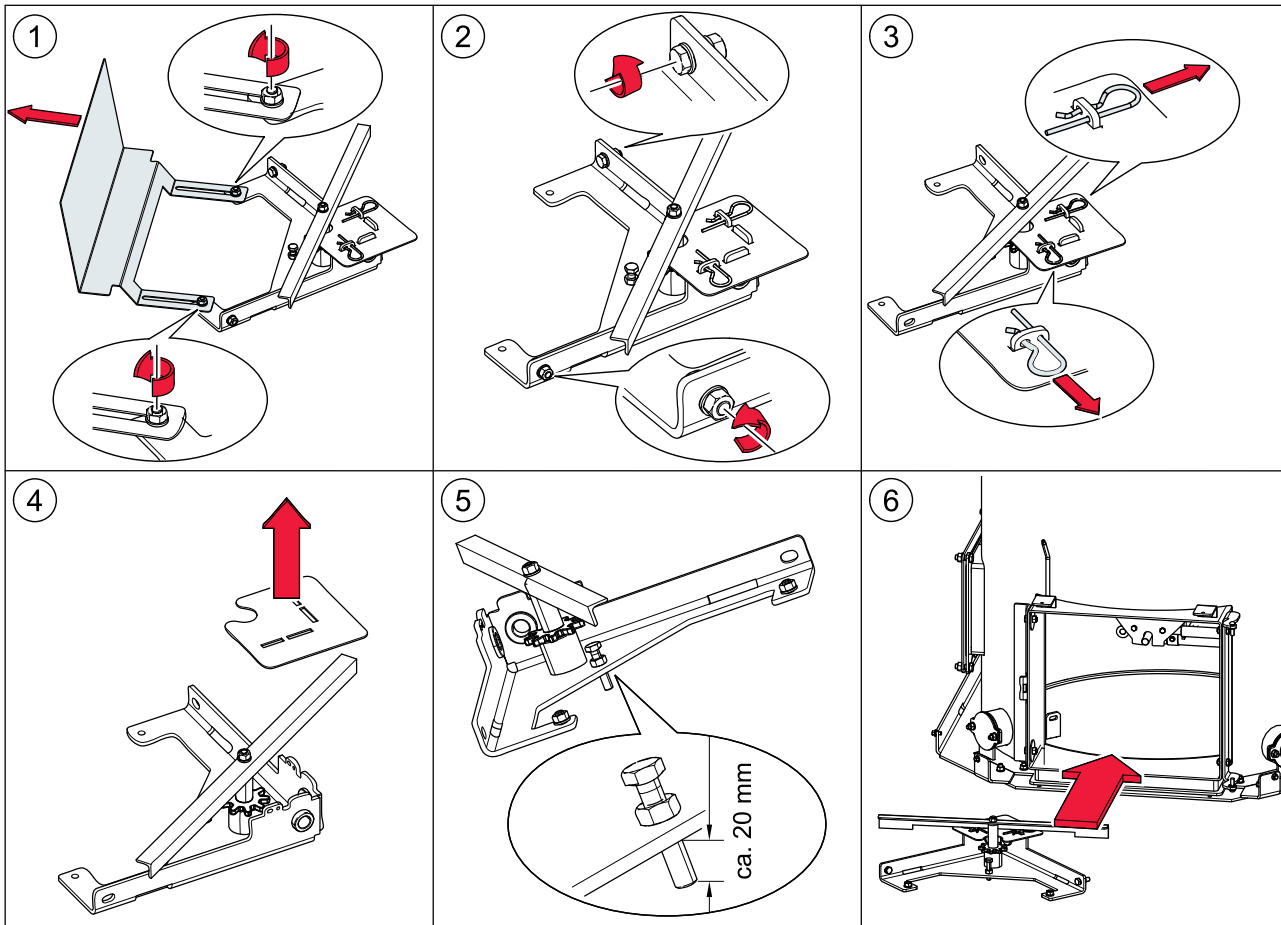
8.2 Installing the de-ashing system

We recommend installing the de-ashing system after the boiler has been brought in, but before the boiler casing is fitted. The de-ashing system has to be installed before the burner casing is assembled.

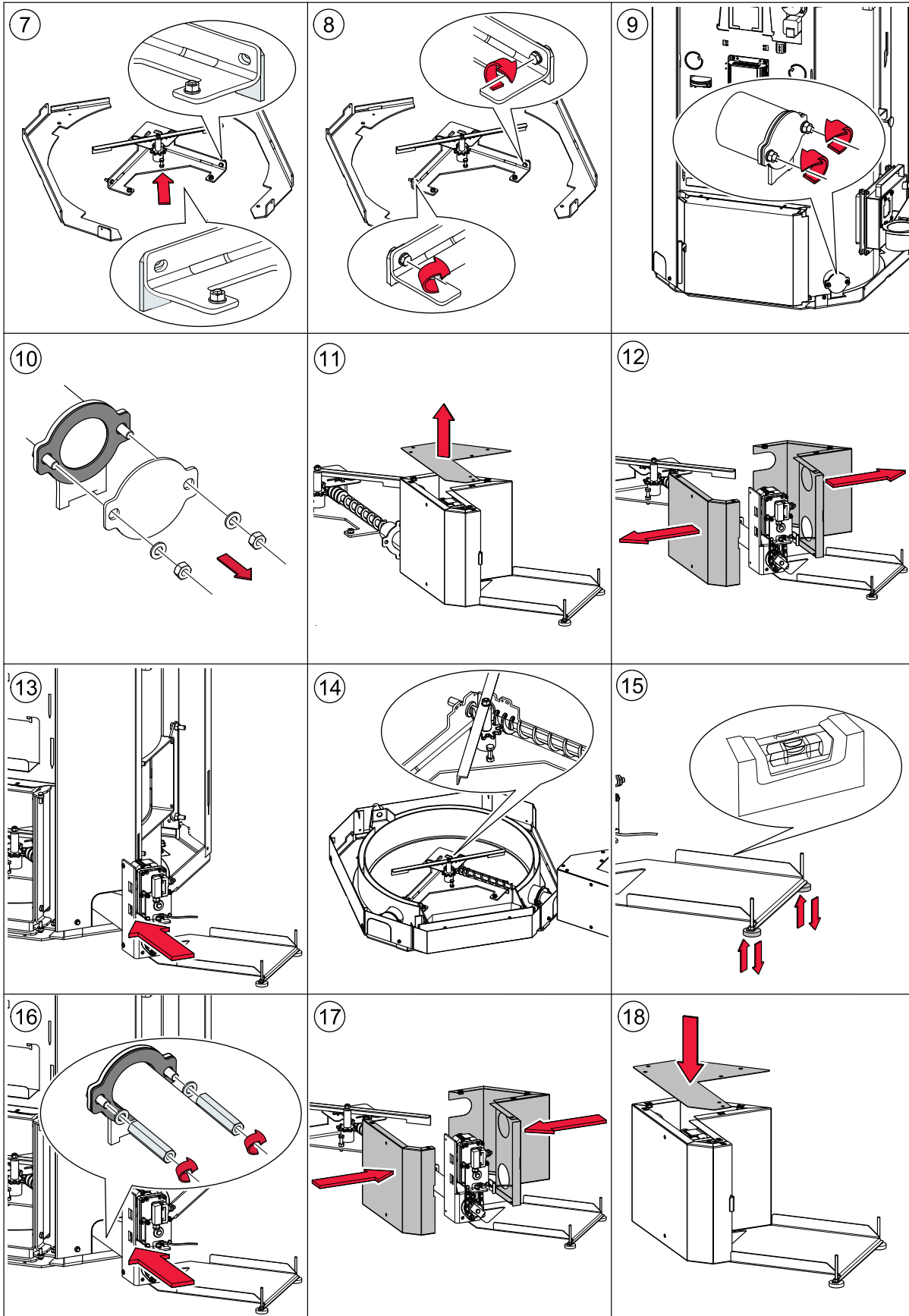
Installation of the de-ashing system is divided into the following steps:

1. Bringing in and installing the de-ashing system on the base plate
2. Installing the de-ashing auger, fitting the sub-assembly and mounting the door plate
3. Installing the burner side casing with cut-out and electrical connection
4. Assembling the pellet boiler and activating the ash box

8.2.1 Bringing in and installing de-ashing system on the base plate



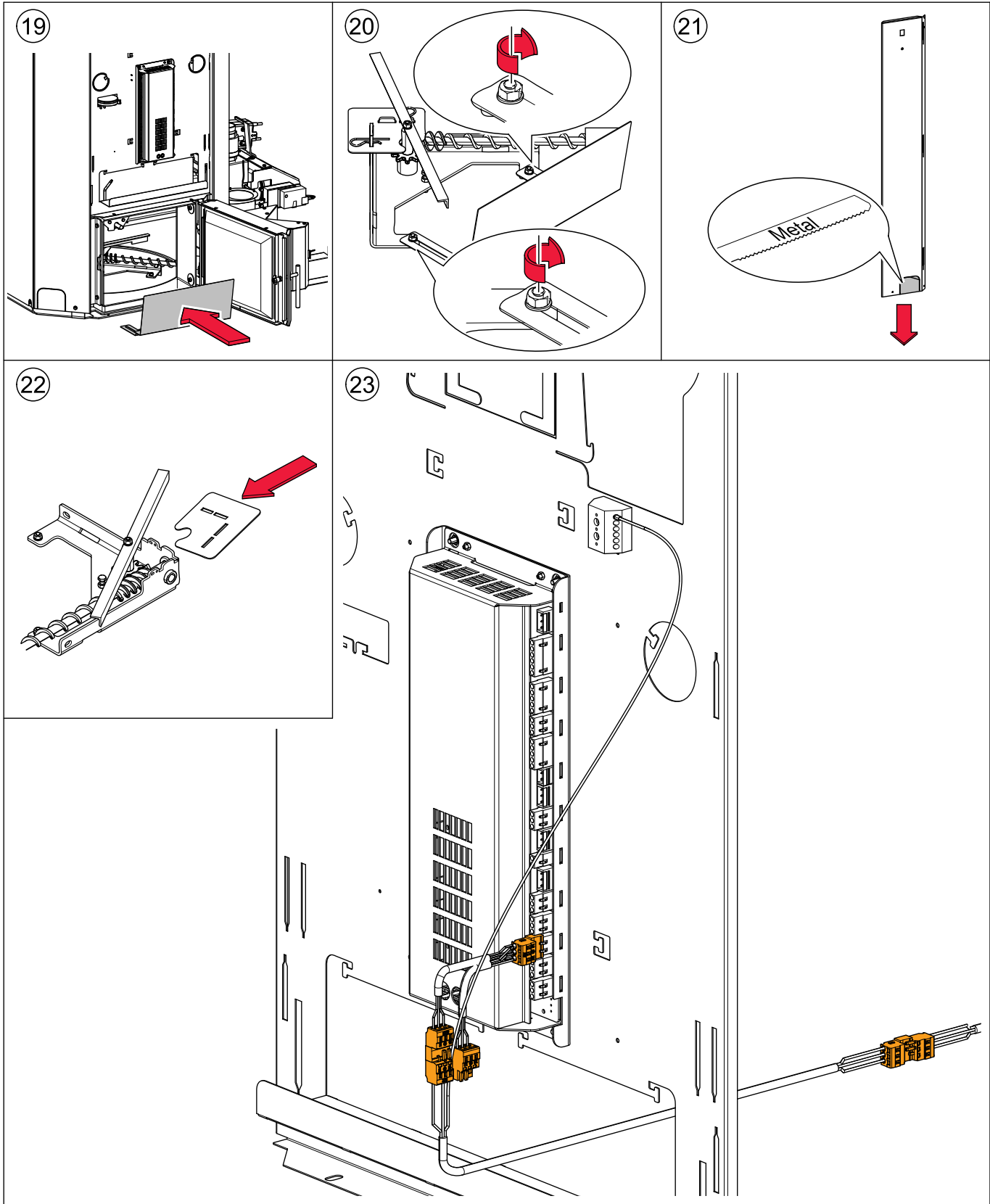
8.2.2 Installing the de-ashing auger, fitting the sub-assembly and mounting the door plate



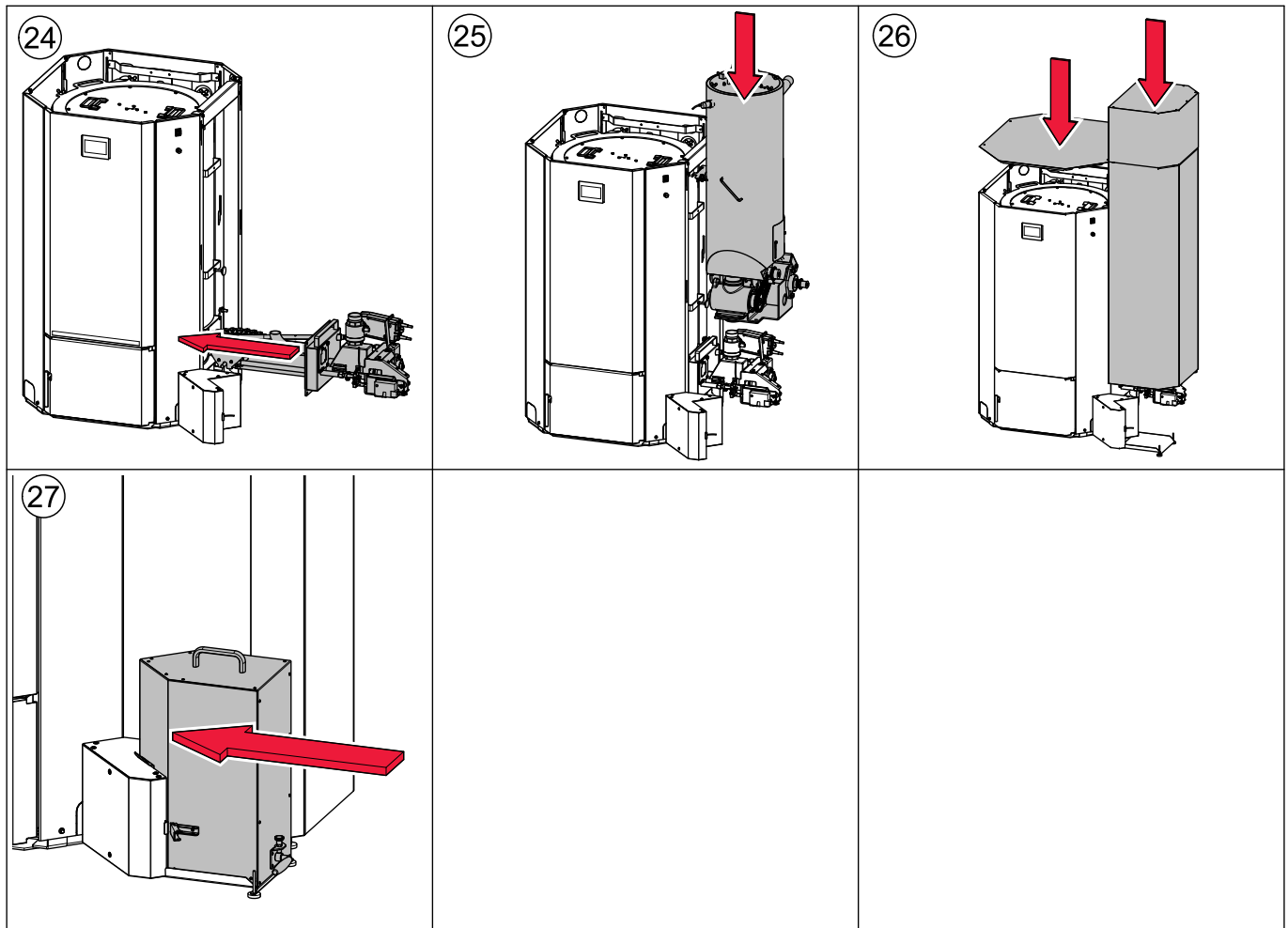
Note:

PICTURE 7: Do not tighten the screws firmly. Tighten the screws firmly only after working step in picture 11.

8.2.3 Installing the burner side casing with cut-out and electrical connection



8.2.4 Assembling the pellet boiler and activating the ash box

**Note:**

Refer to the section on bringing the pellet boiler into the boiler room for detailed instructions on assembling the hopper, burner and casing components.

Activating the ash box

1. Switch ON the boiler
2. In the boiler-menu , after entering the code, you can activate the function **Ashbox**.
3. Set up the number from **Off** to **Ashbox**
4. Ashbox is now active

9 Connecting up the hydronics

The hydronic connections are located on the rear side of the boiler.



DANGER

Risk of explosion

The boiler can only be connected and operated after the hydronic system is complete, with all safeties and purged of air.

NOTICE

Water damage, damage to pellet boiler

The hydronic system can only be installed by an experienced heating professional. Check the entire installation for leaks before firing the boiler.

1. Return water temperature control

The device to increase the return temperature is already integrated into the boiler. You do not need to make any adjustments to this.

2. Hydronic schematics

If you have questions about piping a heating system, refer to our hydronic schematics when connecting the boiler.

Our hydronic schematics are available from your sales partner or from our website.

3. Connections

The connections between the pellet boiler and the hydronic system must be disconnectable.

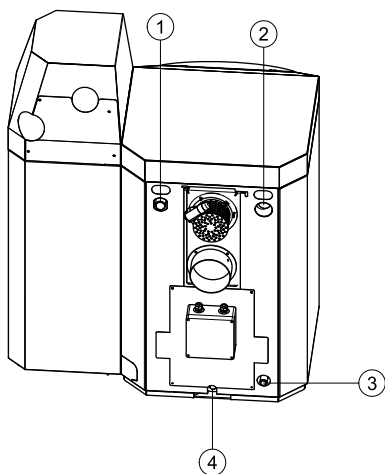
4. Drain connection

When you install the pellet boiler, remove the plug from the drain connection (4) and fit a 1/2" diameter shut-off valve.

5. Thermometer connection

Installing a thermometer at location (3) (submersion sleeve 3.94 in long) enables you to measure the temperature of the return water after the return water temperature control.

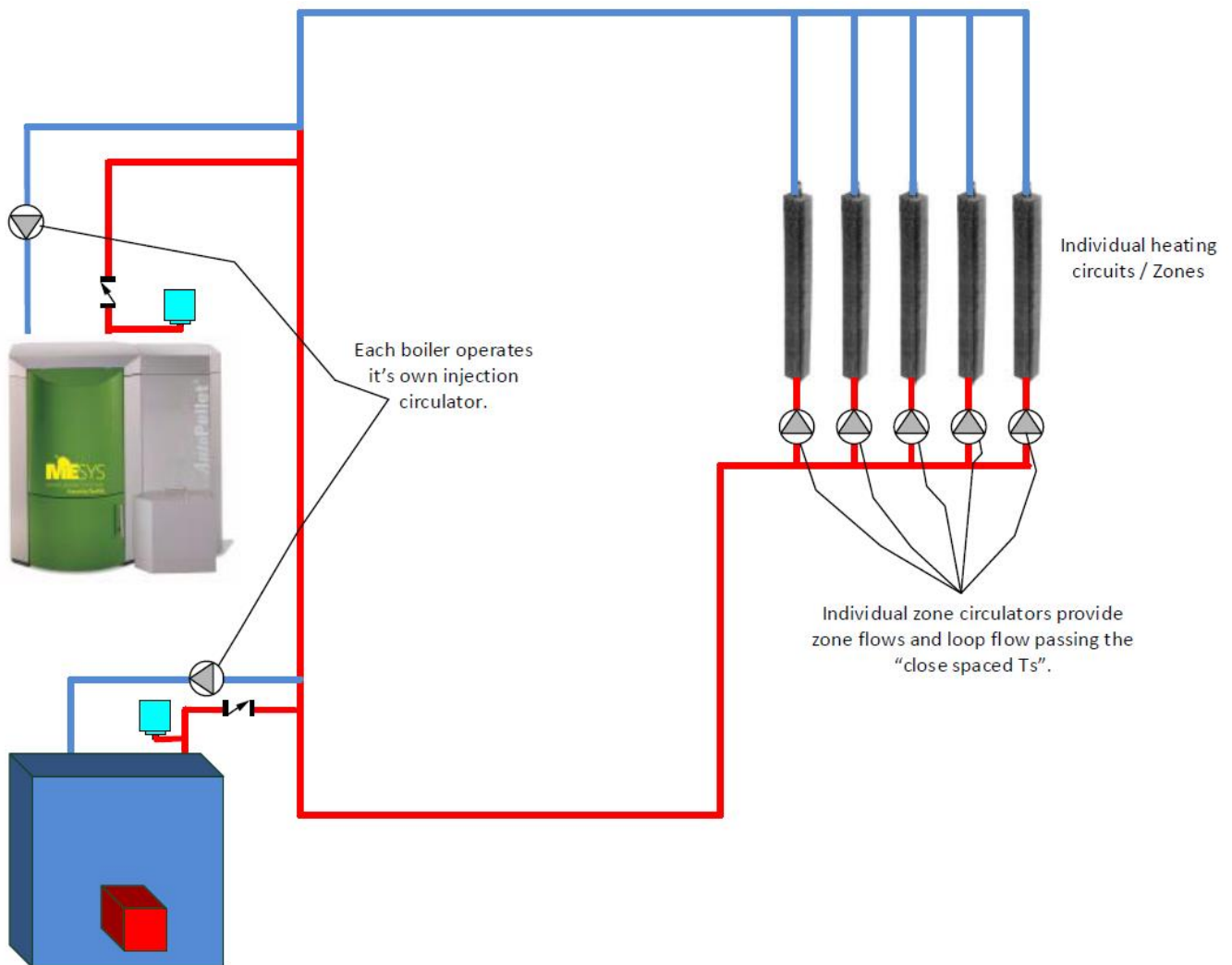
Whether this is installed or not, after setting up the pellet boiler you need to remove the cap and fit a 1/2" diameter closure plug at location (3).



1	Flow out	3	Thermometer connection
2	Flow return	4	Drain connection

9.1 Hydronic connecting diagrams

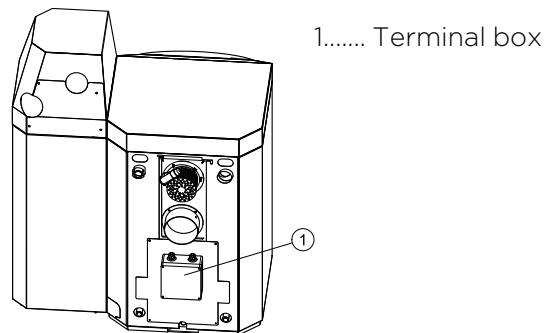
AutoPellet and existing gas or oil fired boiler, modified "primary - secondary" allows heat to come from either source without external changes.



10 Connecting to the power supply

10.1 Terminal box

The terminal box serves as the connection point for the power supply, low water cut off, circulator pump, cold start contacts, bus connection, power vent, and outdoor sensor if used. There is also a low power 220 volt connection point.



10.1.1 Wiring diagram - terminal box

The wiring diagrams for the terminal box provide detailed technical information for professionals and are packed within the terminal box along with other helpful schematics for interconnecting the boiler with circulator controls.



DANGER

Risk of electric shock

Only an authorised installer may connect the pellet boiler to the power supply.
Always disconnect / de-energize the power supply before working on the boiler.

General information for the electrician

- USA and Canada 208 to 240 VAC, single phase, 60 Hz, 15 amp dedicated circuit. To operate the boiler during prolonged power failures, the heating system, including controls and circulators, must be connected to a generator which produces clean, true 60 cycle power. Minimum suggested generator size, 2500W.
- **Lightening protection:** As there is no possible complete protection against lightening, we suggest installing a voltage spike suppression system for the building where the boiler is located or in the same panel as the boiler is powered from.
- **Electrical connection:**
USA and Canada 208 to 240 VAC, single phase, 60 Hz, 15 amp dedicated circuit.

Wiring Plan	
Terminal #	Specification of Terminal #
1	Hot Wire L1 - Power Supply 220VAC
2	Hot Wire L2 - Power Supply 220VAC
3	Neutral Wire
PE	Ground here AND on Stud Welded to Terminal box
4	Hot Wire - Boiler Contact / Cold Start Contact
5	Hot Wire - Boiler Contact / Cold Start Contact
6	Hot Wire - Domestic Hot Water Pump
7	Neutral Wire - Domestic Hot Water Pump
PE	Ground Wire - Domestic Hot Water Pump
8	Hot Wire - Boiler Controlled Pump
9	Neutral Wire - Boiler Controlled Pump
PE	Ground Wire Boiler Controlled Pump
10	Hot Wire / Power Supply Out - Low Water Cutoff
11	Hot Wire / Power Return - Low Water Cutoff
12	Neutral - Low Water Cutoff
PE	Ground Wire - Low Water Cutoff
13	Hot Wire L1 - Convenience Power Output 120 to Neutral - (240 to Terminal 14)
14	Hot Wire L2 - Convenience Power Output 120 to Neutral - (240 to Terminal 13)
PE	Ground Wire - Convenience Power Output
15	Hot Wire - Power Vent Safety Circuit
16	Hot Wire - Power Vent Safety Circuit
PE	Ground Wire - Power Vent Safety Circuit
17	Hot Wire - Power Vent Motor Supply 120 VAC
18	Neutral Wire - Power Vent Motor Supply 120 VAC
PE	Ground Wire - Power Vent Motor Supply 120 VAC
19	Hot Wire - Pellet Auger Delivery Motor Temperature Safety Loop
20	Hot Wire - Pellet Auger Delivery Motor Temperature Safety Loop
21	Hot Wire - Pellet Auger Delivery Motor Power Supply L1
PE	Ground Wire - Pellet Auger Delivery Motor
22	Hot Wire - Pellet Auger Delivery Motor Power Supply L2
23	Hot Wire (24VDC) - Pellet Level Detection System
24	Hot Wire (24VDC) - Pellet Level Detection System
25	Hot Wire (24VDC) - Pellet Level Detection System
26	Hot Wire (24VDC) - Outdoor Sensor
27	Hot Wire (24VDC) - Outdoor Sensor
28	R1 - Cascade Header Sensor or Accum Upper Sensor
29	R1 - Cascade Header Sensor or Accum Upper Sensor
30	R2 - Accum Middle Sensor ONLY with R1 as Upper Sensor
31	R2 - Accum Middle Sensor ONLY with R1 as Upper Sensor
24V.	24V
Gnd.	Gnd.
A	A
B	B
Shield	Shield - Connect one end ONLY

10.2 Plugs on the boiler control unit

The designation of the plugs must correspond with the labeling of plug-in positions.

Designation	Number	Voltage	Name of the sensor, motor or pump
X1A	3 2 GND 1	24 Volt	Operating display
X1B	3 2 GND 1	24 Volt	Heating controller
X2	5 4	24 Volt	Power supply for 24V BUS-connections
R1	46 45	24 Volt	Heating circuit sensor, AC sensor or room sensor
R2	44 43	24 Volt	DHW sensor or AC sensor
AF	42 41	24 Volt	Not used
KF	8 9	24 Volt	Boiler sensor
UP	2 3 4	24 Volt	Negative draft measuring
AE2	5 6 7	24 Volt	Not used
AK	10 8	24 Volt	Disabling contact for existing boilers, optional stirling engine
FRT	12 13	24 Volt	Combustion chamber sensor
RGF	14 15	24 Volt	Not used
PWM SZ	16 17	24 Volt	PWM for a speed controlled A-Class Pump
Analog IN	18 19	24 Volt	external malfunction
BR1	7 8	24 Volt	Burner contact for extern controller (optional)
PWM UW	11 12	24 Volt	PWM for speed controlled high-efficiency pump
ESAV	32 33 34	24 Volt	End switch ash box
DE 1	37 36 35	24 Volt	Signaling Switch for position of the Ball lock
DE 2	40 39 38	24 Volt	Not used
KAPZW	26 25 24	24 Volt	Capacitive sensor - hopper
KAPRA	5 4 3	24 Volt	Capacitive sensor - burner
BSK	6 5 4 3 2 1	24 Volt	Flame return gate
X21	PE L N	230 Volt	Power supply
VAK	56 PE 55	230 Volt	Vacuum turbine
ZUEND	N PE 22	230 Volt	Ignition
AV	52 PE 51	230 Volt	De-ashing motor
RES 2	54 PE 53	230 Volt	Pump Optimize Stratification
MA	48 PE 47	230 Volt	not used
RM	15 PE N	230 Volt	Magnetic valve and motor cleaning device
SM	19 20	230 Volt	Relay fault signal
SZ	17 PE N	230 Volt	Flue gas fan
UW	13 PE N	230 Volt	not used
STB	17 PE 19	230 Volt	Safety temperature sensor
NOT	41 43	230 Volt	Emergency stop heating
RA	N PE 14 15 16	230 Volt	Fuel transport system
RES1	50 PE 49	230 Volt	Motor hopper

ZW	N PE 26 25 24	230 Volt	Not used
ES	1 2 3 N PE 6	230 Volt	Burner motor
LUFT	N PE 11	230 Volt	not used

10.3 Cable routing

Reroute cables after dismantling the casing or other system components.



DANGER

Electric shock

Isolate the entire heating system from the power supply before starting work on the pellet boiler.

Note the following points to ensure the cables are routed securely:

Cables must not be routed:

- over moving parts,
- over hot parts,
- or over sharp edges.

Cables must be:

- routed in the cable ducts provided and
- through cable leadthroughs,
- tied together,
- and secured with cable ties at the points provided.
- Power cables must be routed in the right-hand duct and sensor cables must be routed in the left-hand duct.



DANGER

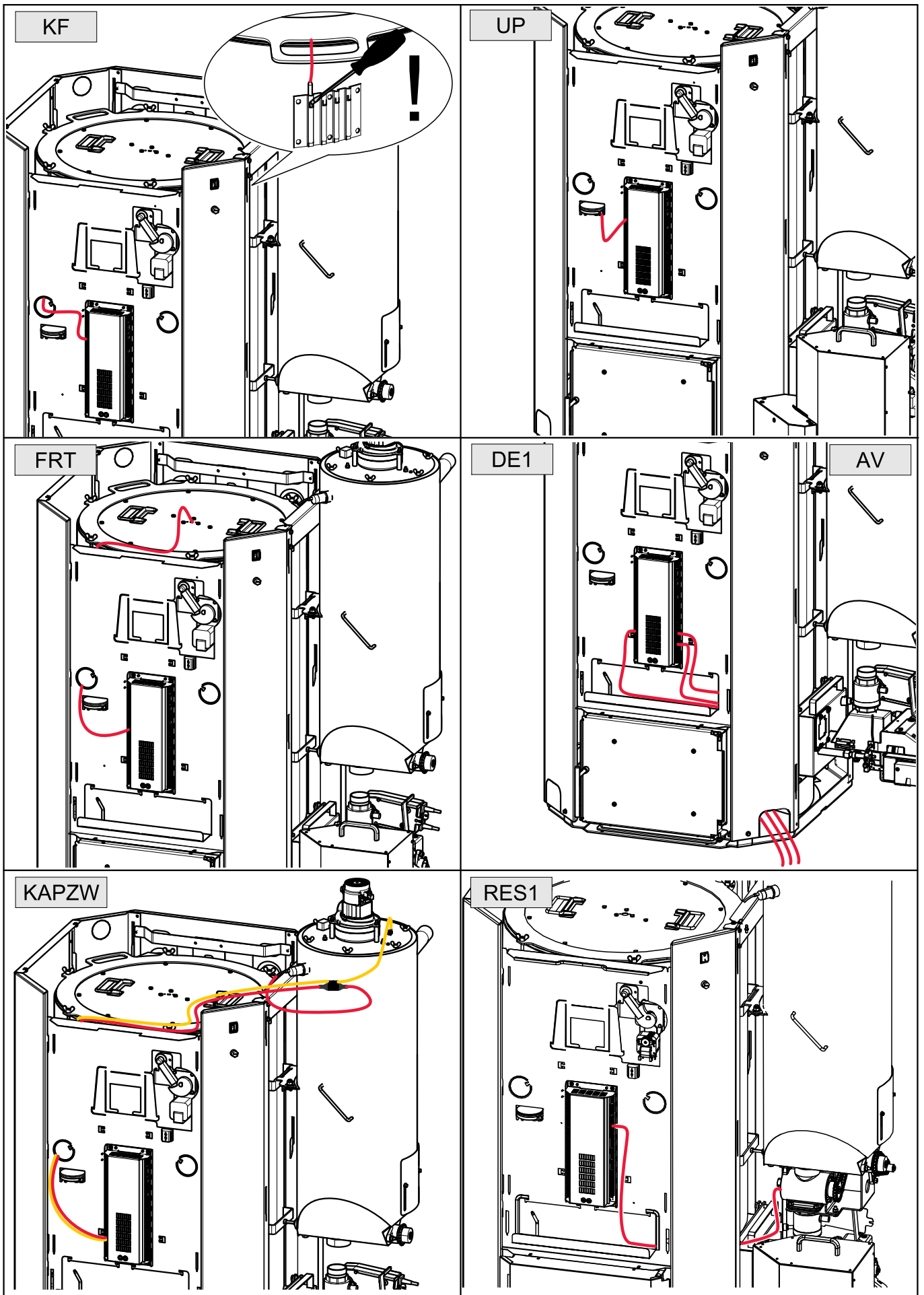
Electric shock

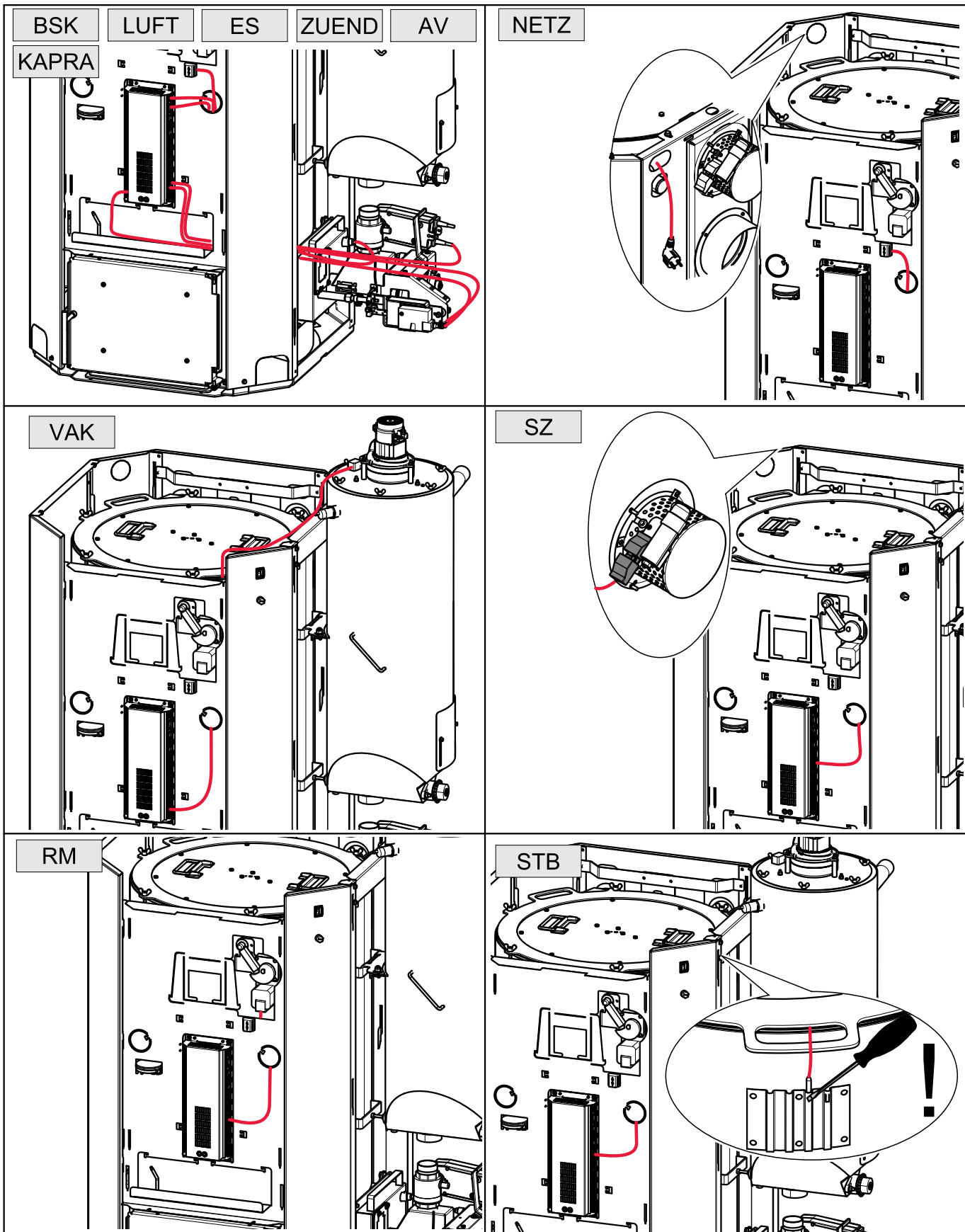
Check cables for damage.
Replace any cables that are damaged.

NOTICE

Damage to the boiler controller

Before fitting the casing components, make sure that the cable plug connector codes match the socket codes.





10.4 Wiring diagrams

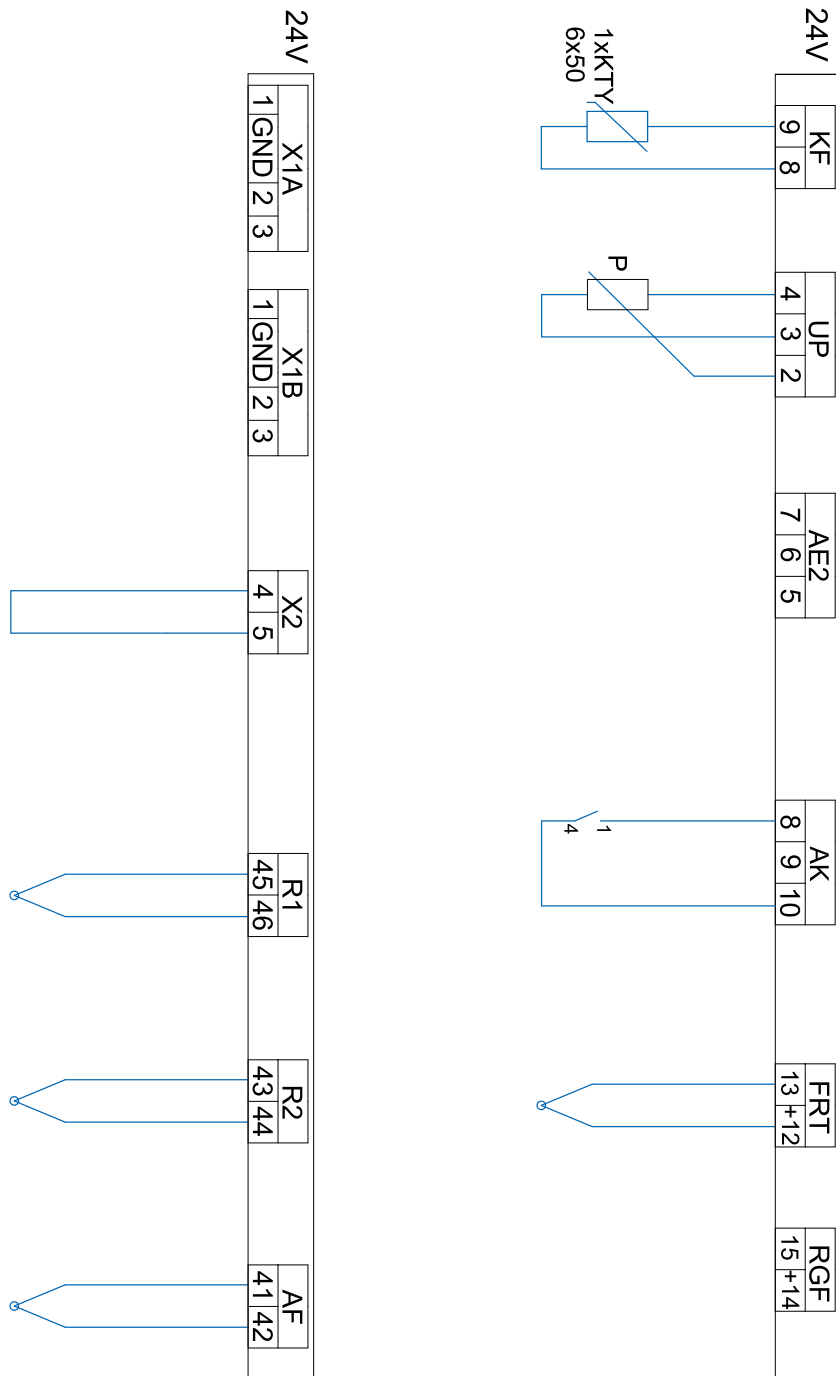
The wiring diagrams for the boiler control unit provide detailed technical information for technicians.

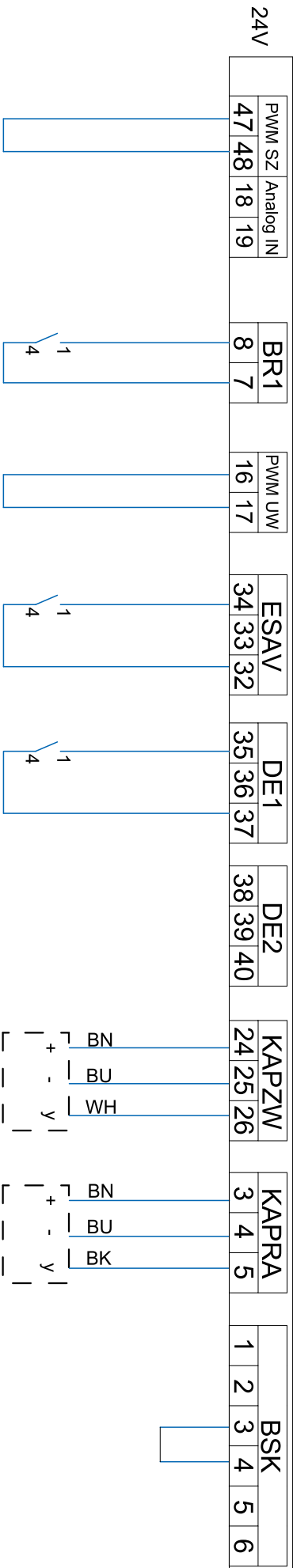


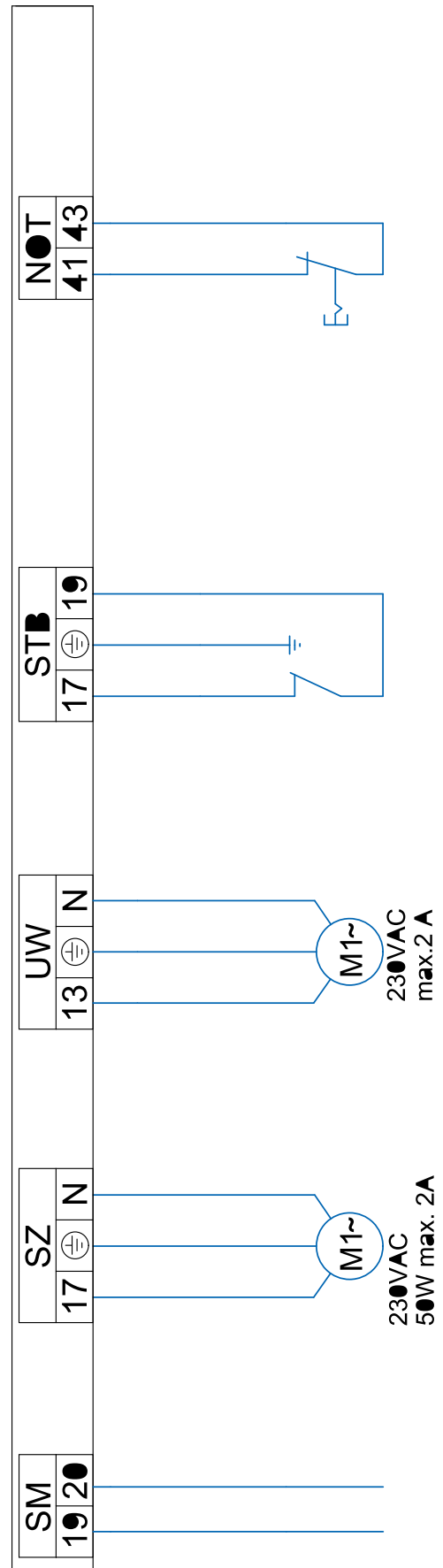
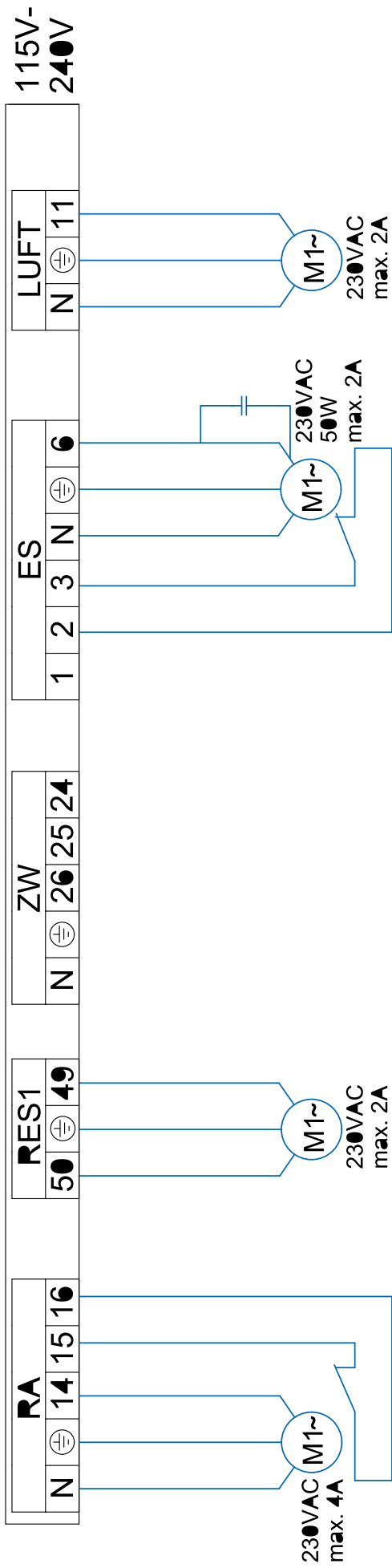
DANGER

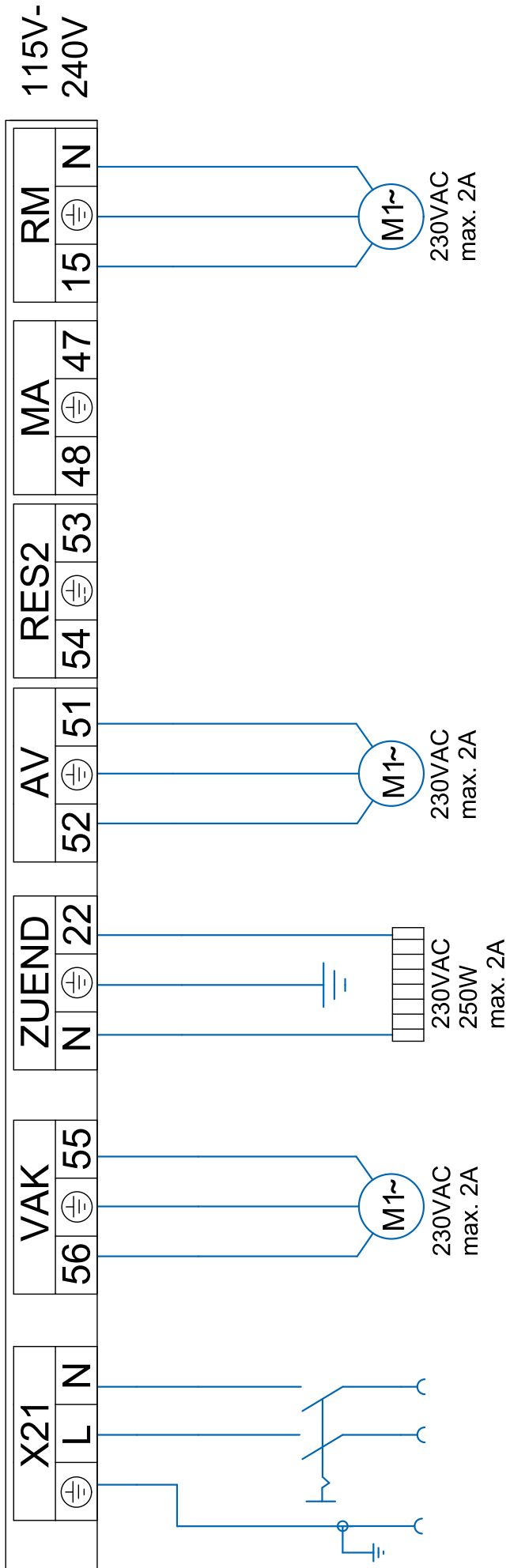
Electric shock

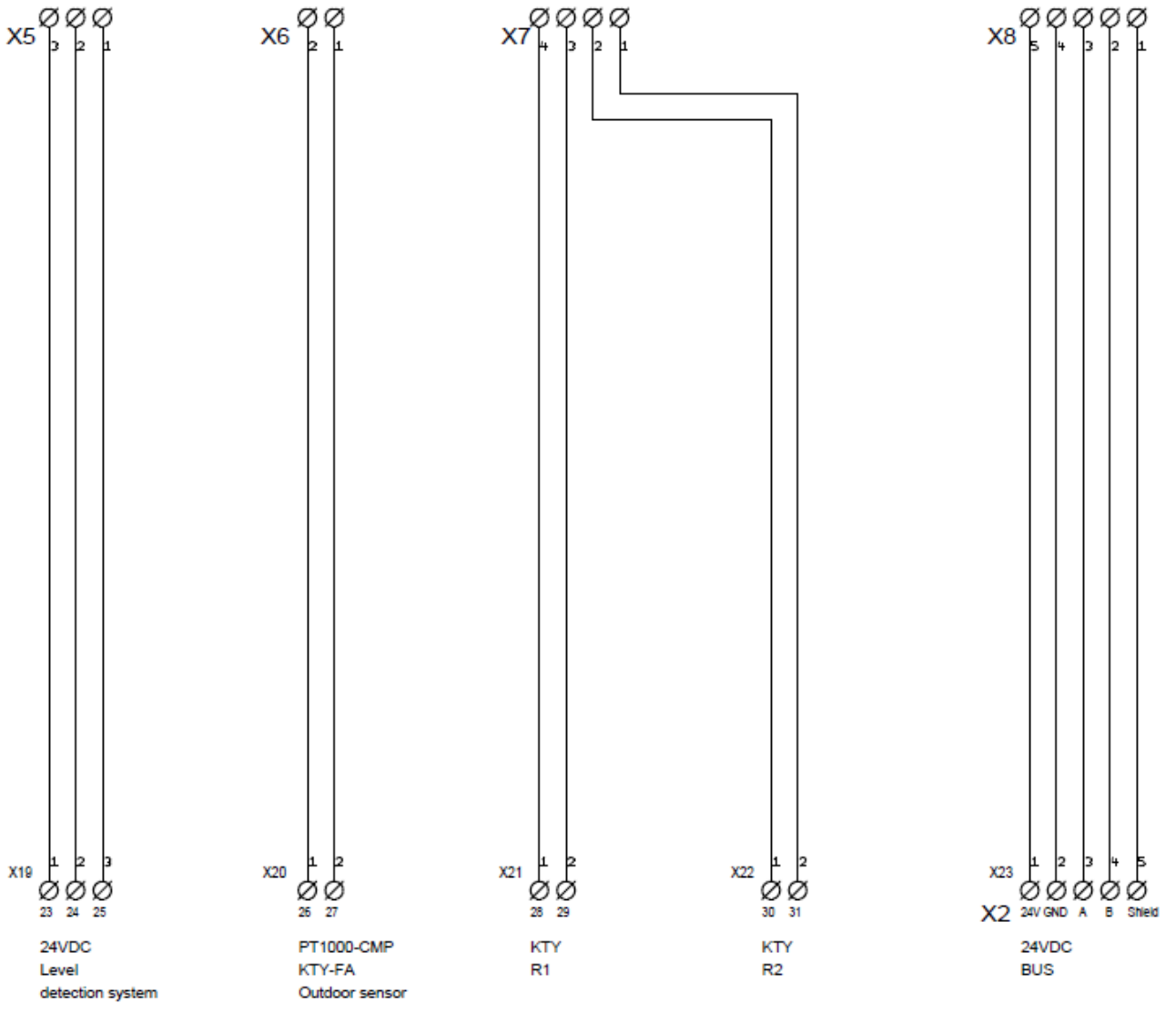
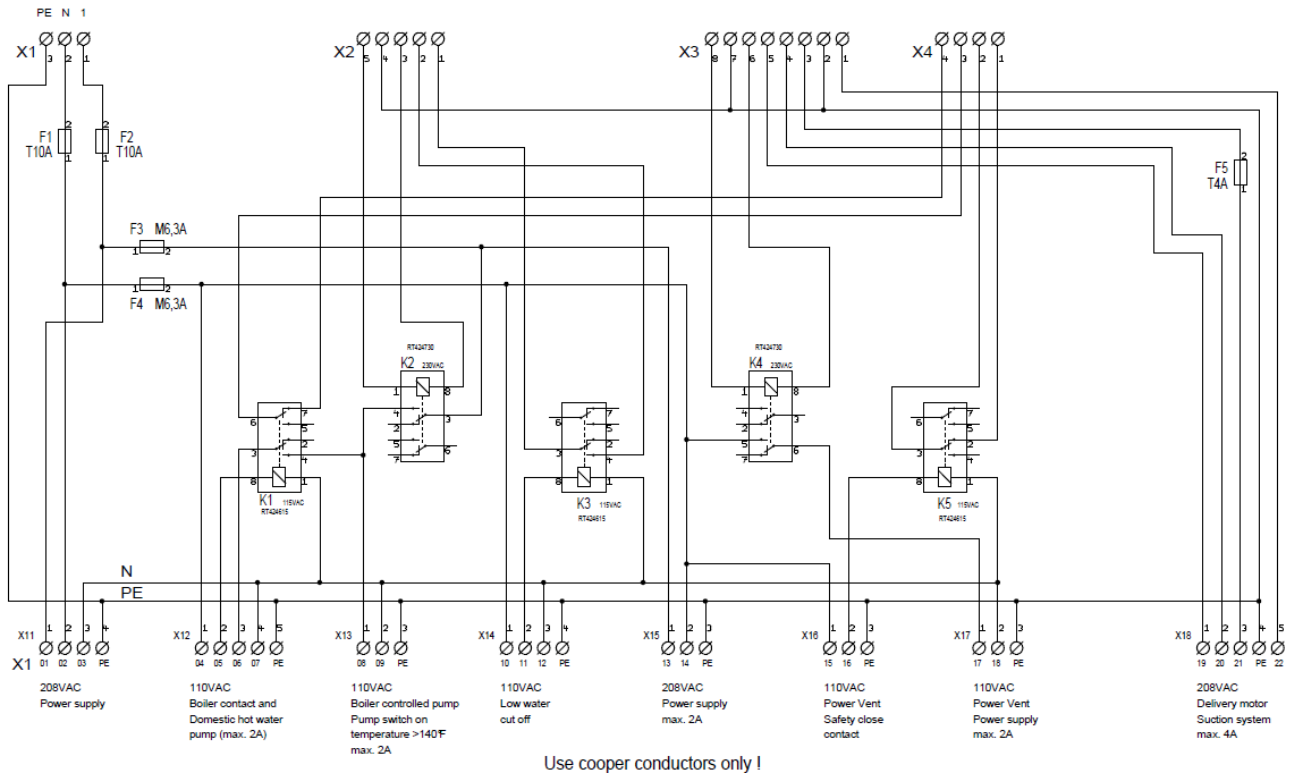
Only an authorised service technician may connect the pellet boiler to the power supply.
Isolate the entire heating system from the power supply before starting work on the pellet boiler.











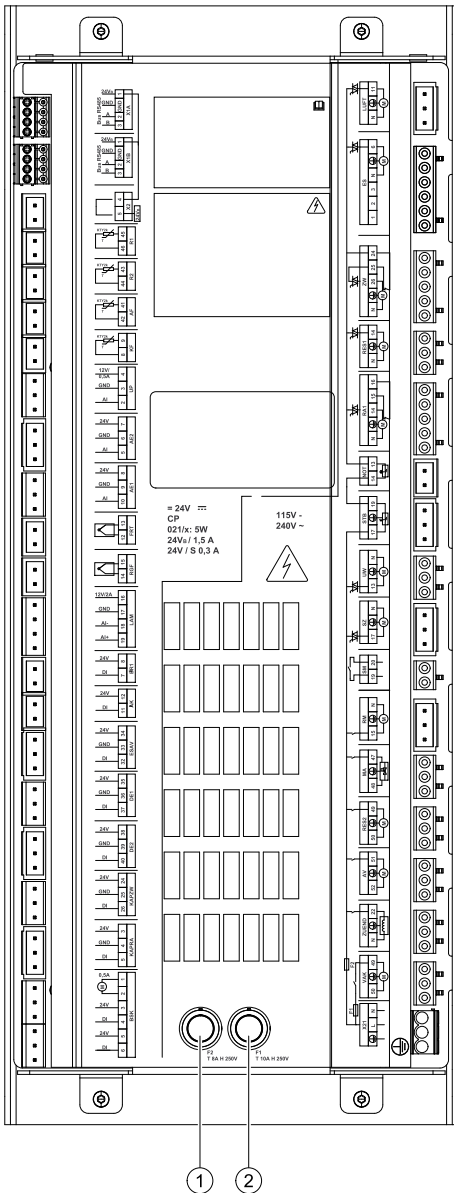
10.5 Fuses - boiler controller

The control unit is protected against short circuits and excessive current consumption by fuses which are in the control panel (under the front boiler panel). There are also fuses in the terminal box at the rear of the boiler. At the rear panel, there are 4 fuses. Two 6.3 amp for outputs there, and two 10 amp also for the main controller.

NOTICE

Damage of property

Should it become necessary to replace a fuse, it is critically important to replace the fuse only with a fuse having the same exact ratings.



1	F1: Fuse T10A
2	F2: Fuse T8A

10.6 Operating the AutoPellet

The operation of the system is described in the **manual for the End User**.

11 Starting up for the first time

After verifying all installation work has been correctly completed and pellet fuel has been delivered, it is time to commission the boiler.

NOTICE

Air tight property of combustion chamber

To ensure correct combustion and overall operation, all fittings to the combustion chamber must be correctly assembled to be completely air-tight.

Note:

The unit must be started up for the first time by an authorized MESys service technician.

Before starting up the pellet boiler, the following settings must be made in the sequence specified below:

1. Output test - test all motors
2. Settings in heating controller (if installed)
3. Start the pellet boiler

Use the checklist enclosed to document the start-up procedure.

12 Appendix

12.1 Checklist for checking the heating system

The checklist is intended to help authorized specialists perform and document a comprehensive check on the heating system.

Name and address of the customer	Heating device
Name:	Type of boiler:
Street:	Rated power:
Place:	Year of build:
Name and address of installer	Manufacturer's serial number:
Name:	Type of heating controller:
Street:	Type of accumulator:
Place:	Solar device:

NOTICE

Damage to property

Use the checklist to check the heating system before starting up for the first time.

CHECKLIST		Yes	Comment
Textile tank			
Textile tank	Are the struts mounted?		
	Are all stayers straightened vertical?		
Delivery unit	Is the slot for the emergency gate valve closed with an adhesive tape?		
Filling coupling	Are the filling couplings correctly installed?		
	Are the plugs at the filling couplings?		
	Are the safety labels placed? (Caution - Switch off the heating system before entering)		
	Are the couplings correctly grounded?		
Aeration	Is the storage room / building properly ventilated with minimum 27 square inches to the outside?		
Caution label	Is the caution label "Wood pellets storage room" placed on the door to the storage room?		
Fire protective collar	Are fire protection collars mounted in the storage room?		
Boiler			
Burner plate	Is the position of the burner plate correct? Has the locking screw of the burner plate been tightened?		
Flame tube	Has the locking device of the concrete flame tube been removed? Is the position of the stainless steel flame tube centred and upright?		
Sensors	Check the position and fixing of the sensors. After the start of the boiler, check if the values of the sensors are in a realistic range.		

Washer nozzle	Is the washer nozzle positioned upright? (The connecting pipe must be positioned horizontally)		
Boiler cover	Check that the cover of the flue gas collector chamber is properly fitted, leak-tight and fastened down.		
Flue gas pipe connection	Is the flue gas pipe made of stainless steel? Is the flue gas pipe leak-tight? Does the flue gas pipe have a gradient? No movable parts? No damper?		
Combustion chamber door	Check that the combustion chamber door closes correctly.		
Drain	Is the connection pipe tight?		
Aeration/boiler room	Exists the required aeration opening?		
Nameplate	Is the nameplate placed on the boiler?		
Chimney system	A common chimney for two different fuels is allowed if all codes and regulations allow it.		
Electric installation and regulation			
Power supply	Check the electrical connection.		
	Check the dimensions of the fuses.		
Settings-Boiler control unit	Are the settings of the boiler control unit according to the installation manual?		
Settings-Heating controller	Set the parameters, the heating circuit program and domestic hot water program.		
Hydraulic Connection			
Circuit pumps	Check the switch on temperature.		
Boiler connection	Is the pellet boiler correctly connected?		
	Is the hydraulic system deaerated?		
	Is the system filled up with water? Check the pressure.		
Safety systems			
Fire protection - ball valve - Belimo - Flame Return Gate	Check the function of the limit switch: Fuel feed of burner may only start when the fire protection valve is fully open. Disconnect the plug DE1 from the boiler controller. Start an intake process. After 2 minutes without intake, the error message Pellets??? will appear on the display. Re-connect plug DE1 to the boiler controller.		
Safety temperature sensor	Check the position and fixing of the safety temperature sensor.		
Negativ draft measuring cell	Check that the negative draft hoses P1 and P2 are correctly connected to the cell and to the air inlet line. Check the function of the negative draft measurement.		
Safety valve	Is the outlet of the safety valve connected to the drain?		
Emergency stop switch	Exists an emergency stop switch?		
Fire extinguisher	Exists a fire extinguisher?		

Instruction			
Heating-up	Explanation of functions, malfunctions and maintenance to the customer.		
Heating controller	Explanation of the heating controller.		
Operating manual	Explanation of the operating regulations to the customer.		
Maintenance contract	Explanation of maintenance and control activities, notice to the legal regulations.		

12.2 Appendix G of CAN/CSA-B365-M91

Functioning of safety and operating controls

This Annex is not a mandatory part of this Standard, but is written in mandatory language to accommodate its adaption by anyone wishing to do so.

The safety and operating controls shall function within the limits specified by the manufacturer for the type of equipment. The following test shall be performed:

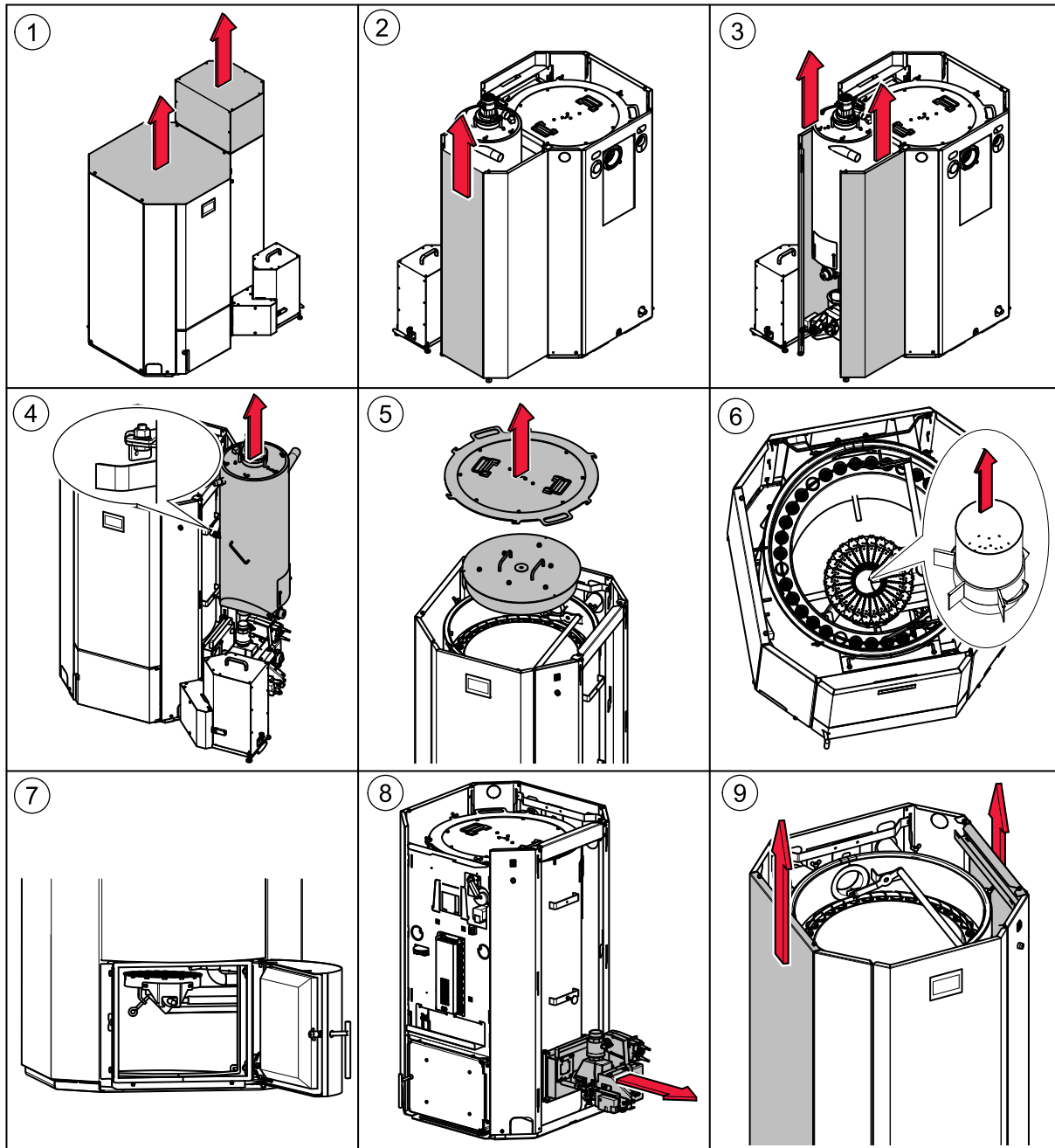
1. Check the operation of the automatic fuel_feeding interrupt device at each entrance to the floor space within which the fuel-feeding device is installed.
2. Check that when the low water level control on steam and hot water boilers is operated to indicate a low water level, the automatic fuel-feed is interrupted.
3. Check that when the excessive pressure control on steam and hot water boilers is operated as in an excessive pressure situation, the automatic fuel-feed is interrupted.
4. Check that when the excessive water temperature control on steam and hot water boilers is operated to indicate excessive water temperature, the automatic fuel-feed is interrupted and, if appropriate, that one or more zone control valves open.
5. Check that if the temperature exceeds 200°F in a furnace supply plenum on hot air furnaces, the automatic fuel-feed is interrupted.
6. Check that if there is a failure of the fan providing combustion air, the automatic fuel-feed is interrupted.
7. Check that if there is a failure of the combustion air supply control mechanism to remain fully open, the automatic fuel-feed is interrupted.
8. Check that when the hot water circulating pump manual disconnect switch is opened, the automatic fuel-feed is interrupted.
9. Check that if there is a shutdown or failure of the mechanical flue-gas exhauster, the automatic fuel-feed is interrupted.
10. Check that if there is a failure in the flue gas flow, the automatic fuel-feed is interrupted, or the combustion air supply is shut off in manually fuelled appliances.
11. Check for the proper operation of the minimum fire maintenance controls and system or, if applicable, of the automatic ignition system.
12. Check for the proper operation of the controls used for normal automatic fuel-feeding.
13. Check the operation of any other controls supplied on the appliance by the manufacturer, or required by the authority having jurisdiction.

12.3 Modifying the burner

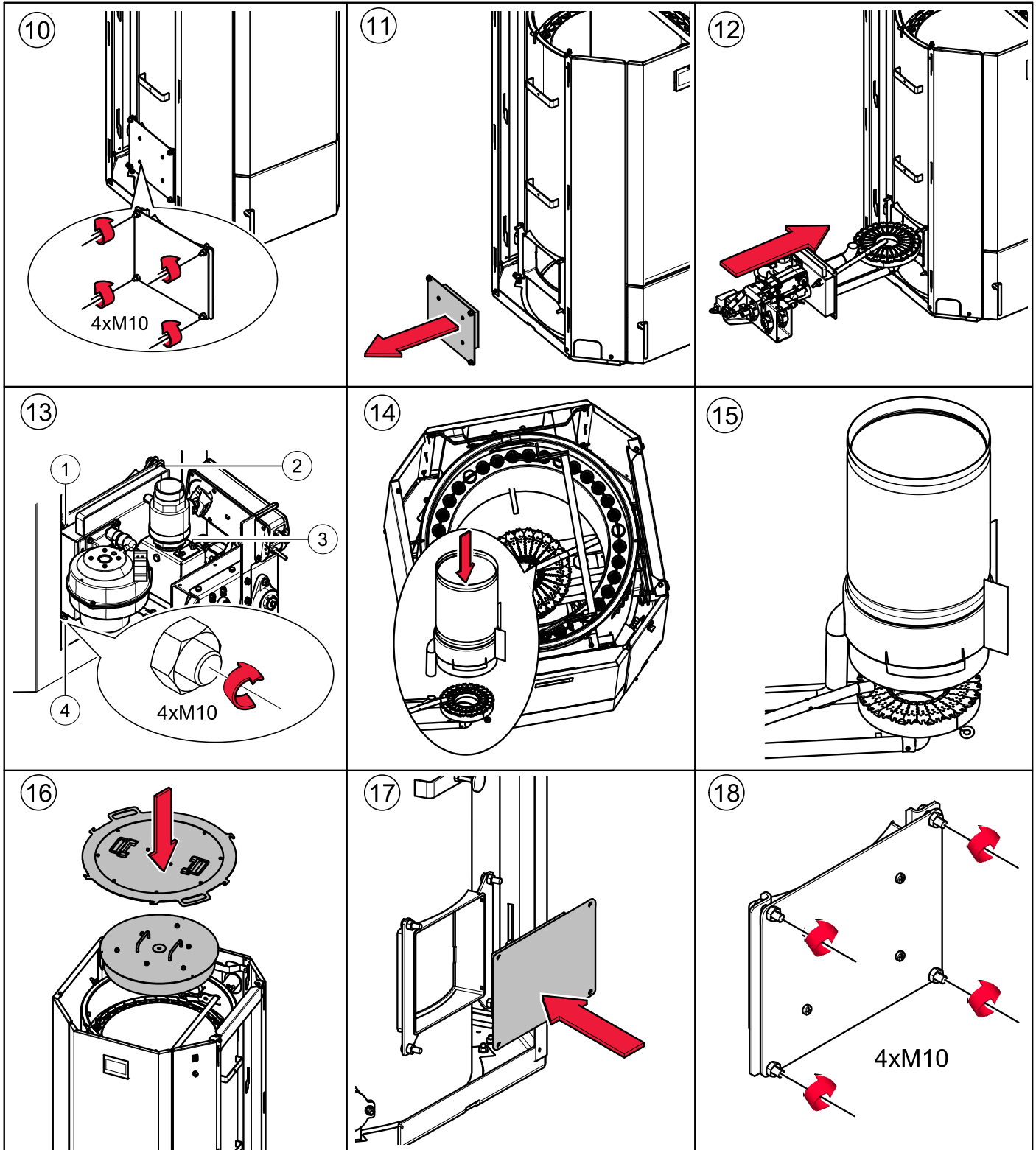
The pellet boiler is configured symmetrically. If required, you can remove the burner from the right-hand side (as shipped) and reinstall it on the left.

1. Dismantle the casing, hopper, combustion chamber lid, flame tube, burner and burner plug.
2. Modify the burner on the left.
3. Route cables through cutouts to the boiler controller and connect up the plug.

12.3.1 Dismantling the casing, hopper, combustion chamber lid, flame tube and burner

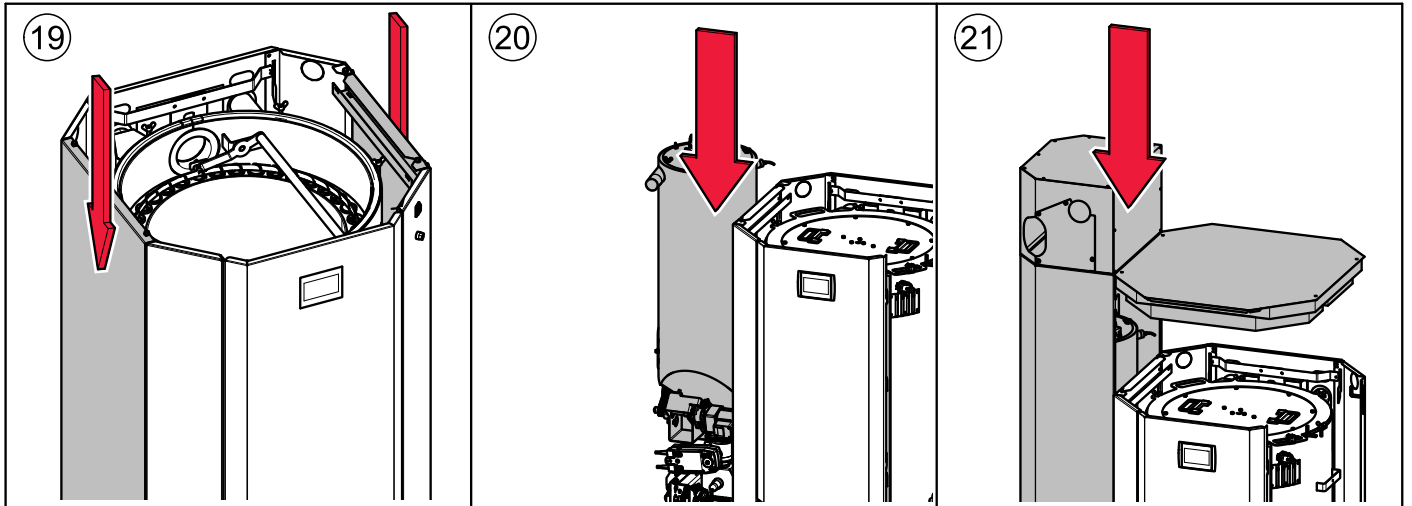


12.3.2 Modify the burner on the left

**Note:**

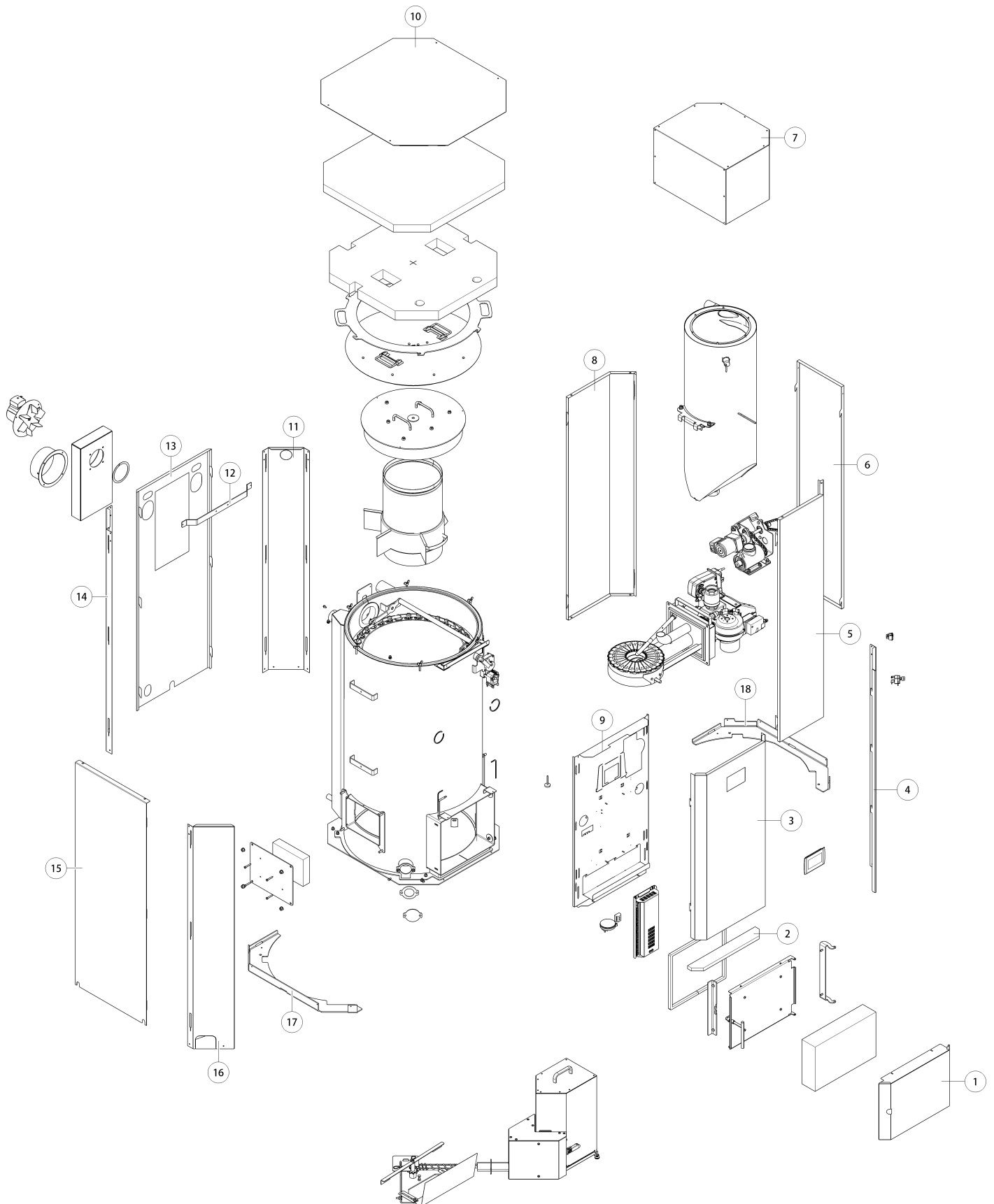
Do not tighten too firm, otherwise the dummy cover could become leaky.

12.3.3 Reassembling the pellet boiler after modifying the burner

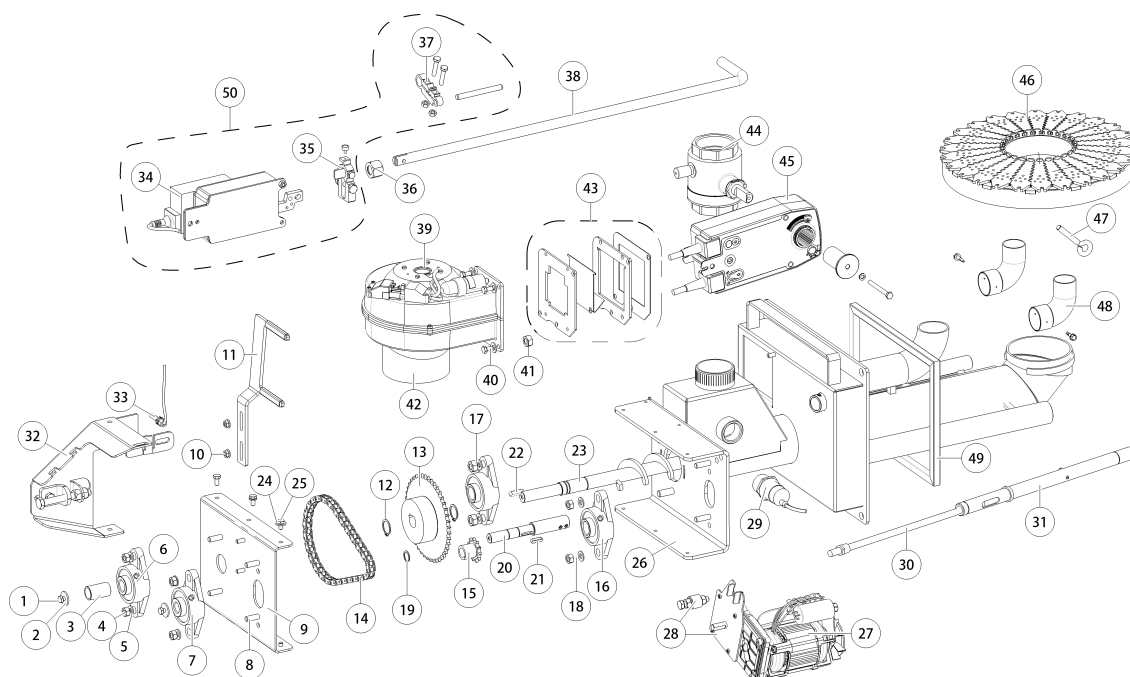


12.4 Parts list

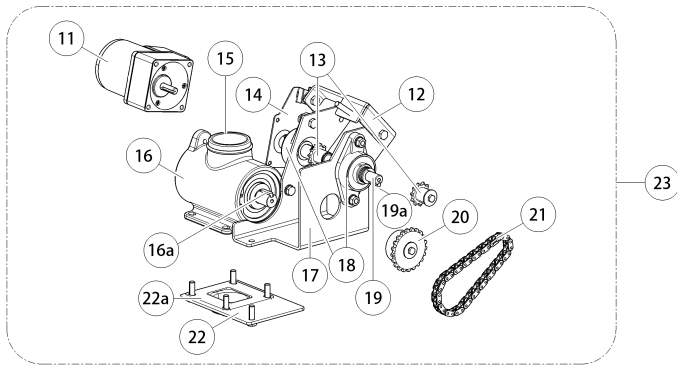
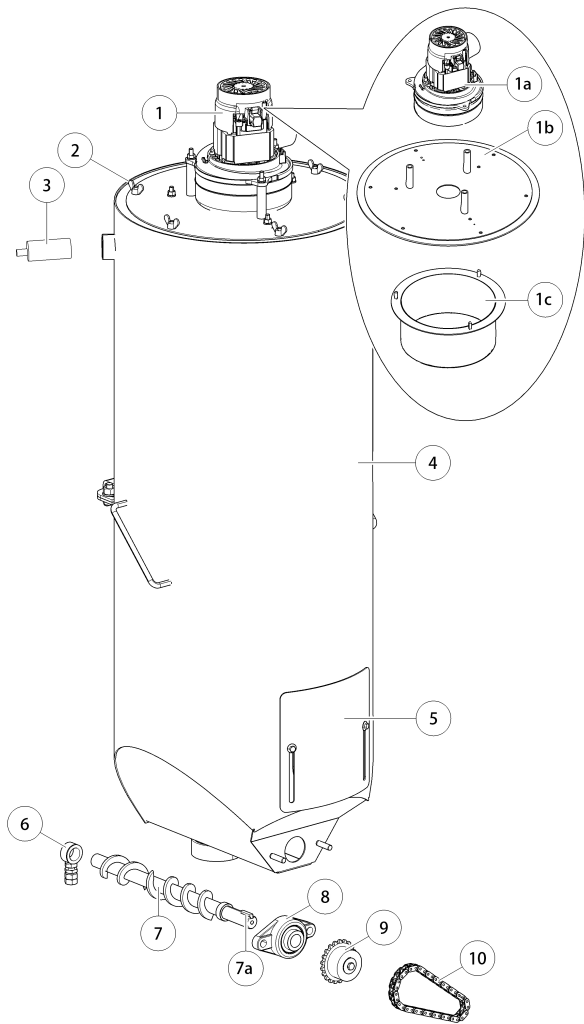
12.4.1 Pellematic PES 36-56



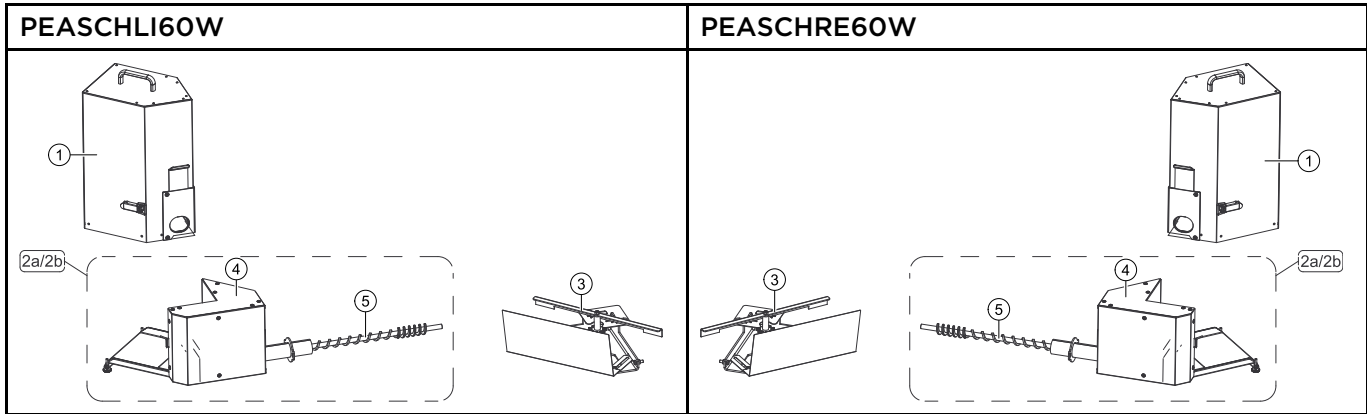
1	270076	8	301814	15	270077
2	302659	9	301811	16	270075
3	270082	10	270080	17	302115
4	301731	11	301730	18	300070
5	301814	12	270079	19	300166
6	301678	13	270078		
7	301812	14	301730		



B0036					
1	121041	20	B172	33	210581
2	121058	21	121197	34	E1640
3	B150	22	121023	35	300823
4	121039	23	B190	35	210061
5	121038	24	121041	36	B186
6	121011	25	121037	37	B221
7	121195	26	121079	37	302738
8	121051	27	E1306	37	210599
9	B179	27	E1002-1	38	B185
10	121082	28	B191	39	E1005P
11	121037	28	121026	40	121041
12	B129P	28	121040	41	121082
13	121075	28	121185	42	B202
14	121193	28	121039	43	B148
15	121194	28	121038	44	B144
16	121192	28	B113	45	E1413E
17	121010	29	E1059	46	303589
17	121083	30	E1004	47	121284
18	121029	31	B176	48	B180
18	121039	32	300890	49	B152
19	121196	33	210039		



041917					
1	E1368	7a	121023	16a	121023
1a	E1192	8	121010	17	B252
1b	O41869	9	121250	18	121195
1c	O41868	10	121225	19	B249
2	121176	11	E1197	19a	121484
3	E1138	12	B251	20	121250
4	O41913	13	121192	21	121225
5	O41911	14	B165	22	B253
6	121114	15	80590	22a	B254
7	SZB	16	210012	23	B255



1	302578	2b	PE689	4	302605
2a	PE688	3	PE373	5	302653

12.5 Technical data

Boiler - Type		PE(S) 12	PE(S) 15	PE(S) 20	PE(S) 25	PE(S) 32	PES 36	PES 48	PES 56
Boiler-rated power	BTU/hr	41,000	51,000	68,300	85,300	109,500	123,000	164,000	191,000
	kW	12	15	20	25	32	36	48	56
Boiler-partial load	BTU/hr	11.601	17.061	20.473	27.297	34.121	37.534	51.182	58.006
	kW	3,4	5	6	8	10	11	15	17
Measurements									
Width - total (B)	Inch	44 1/2	44 1/2	44 1/2	46 3/4	46 3/4	51	51	51
	mm	1.130	1.130	1.130	1.186	1.186	1.297	1.297	1.297
Width - boiler (C)	Inch	27 1/2	27 1/2	27 1/2	29 3/4	29 3/4	34	34	34
	mm	700	700	700	756	756	862	862	862
Height - boiler (H)	Inch	43	43	43	51	51	61	61	61
	mm	1.100	1.100	1.100	1.300	1.300	1.555	1.555	1.555
Height - vacuum system execution (D)	Inch	55	55	55	63	63	73	73	73
	mm	1.400	1.400	1.400	1.600	1.600	1.855	1.855	1.855
Height - filling unit (F)	Inch	12	12	12	12	12	12	12	12
	mm	300	300	300	300	300	300	300	300
Depth - boiler (T)	Inch	32	32	32	34 1/4	34 1/4	39	39	39
	mm	814	814	814	870	870	990	990	990
Depth - burner casing (V)	Inch	20	20	20	20	20	20	20	20
	mm	508	508	508	508	508	508	508	508
Flow/return - dimensions	Inch	1	1	1	5/4	5/4	2	2	2
Flow/return - height of connection (A)	Inch	35 3/4	35 3/4	35 3/4	43 3/4	43 3/4	52	52	52
	mm	905	905	905	1.110	1.110	1.320	1.320	1.320
Flue size - diameter	Inch	5	5	5	6	6	7	7	7
	mm	130	130	130	150	150	180	180	180
Flue - height of connection (E)	Inch	25 1/2	25 1/2	25 1/2	33 1/4	33 1/4	41	41	41
	mm	645	645	645	844	844	1.040	1.040	1.040
Overall Weight	Lb	631	631	631	756	756	1.120	1.120	1.120
	kg	286	286	286	343	343	508	508	508
Boiler Body Weight	Lb	529	529	529	664	664	930	930	930
	kg	240	240	240	301	301	422	422	422
Efficiency rated power	%	85,4	85,6	85,5	84,9	84,5	85,3	85,4	85,9
Efficiency partial power	%	85,1	84,3	84,2	84,2	84,3	84,1	84,1	84,1
Water capacity	Gal	15,0	15,0	15,0	23,6	23,6	30,6	30,6	30,6
	l	66,0	66,0	66,0	104,0	104,0	135,0	135,0	135,0
Flue gas area									

Boiler - Type		PE(S) 12	PE(S) 15	PE(S) 20	PE(S) 25	PE(S) 32	PES 36	PES 48	PES 56
Fire vault temperature	°F	1652 - 2012							
	°C	900 - 1100							
Fire vault pressure	Inch WC	-0.14							
	mbar	-35							
Flue gas temperature rated power (Flue gas temperature can be adjusted)	°F	320							
	°C	160							
Flue gas temperature partial load (Flue gas temperature can be adjusted)	°F	212							
	°C	100							
Flue gas inertia current rated power	Lb/hr	49,60	62,17	82,89	99,43	115,96	149,25	198,85	231,92
	kg/h	22,50	28,20	37,60	45,10	52,60	67,70	90,20	105,20
Flue gas inertia current partial load	Lb/hr	14,11	20,72	24,91	29,76	35,71	45,64	62,17	70,33
	kg/h	6,40	9,40	11,30	13,50	16,20	20,70	28,20	31,90
Flue gas volume rated power	Cft/hr	918	1.232	1.642	1.971	2.627	2.956	3.941	4.598
	m³/h	26	35	47	56	74	84	112	130
Flue gas volume partial load at flue gas temperature	Cft/hr	240	353	424	509	607	777	1.059	1.204
	m³/h	7	10	12	14	17	22	30	34
Chimney diameter	according to chimney calculation								
Chimney construction	steel or ceramic lined, withstand humidity								
Electrical connection	USA and Canada	208 to 240 VAC, single phase, 60 Hz, 15 amp dedicated circuit.							
Water area									
Water resistance at 10K	In WC	38,22	60,22	88,32	114,02	150,95	15,62	20,84	24,29
	mbar	95,20	150,00	220,00	284,00	376,00	38,90	51,90	60,50
Water resistance at 20K	In WC	9,72	15,26	22,08	28,91	38,14	4,18	5,58	6,50
	mbar	24,20	38,00	55,00	72,00	95,00	10,40	13,90	16,20
Boiler temperature	°F	149 - 194							
	°C	65 - 90							
Boiler input temperature minimum	°F	131							
	°C	55							
Operating pressure maximum	psi	43.5							
	bar	3							
Test pressure	psi	67							

Boiler - Type		PE(S) 12	PE(S) 15	PE(S) 20	PE(S) 25	PE(S) 32	PES 36	PES 48	PES 56
	bar	4,60							
Flue gas volume rated power at flue gas temperature	Cft/hr	1.010,0	1.327,8	1.772,8	2.231,9	2.874,6	3.217,2	4.262,5	4.944,1
	m ³ /h	28,6	37,6	50,2	63,2	81,4	91,1	120,7	140,0
Flue gas volume partial load at flue gas temperature	Cft/hr	243,7	384,9	459,1	614,5	769,9	847,6	1.165,4	1.313,7
	m ³ /h	6,9	10,9	13,0	17,4	21,8	24,0	33,0	37,2
Fuel	USA	According to PFI Premium Standards or EnPlus -A1 pellets							
	Europe	According to EN14961-2 Standards (A1 Class)							
Colorific value	BTU/lbs	> 7.200							
	MJ/kg	>16,5							
Bulk density	Lb/cft	> 40,00							
	kg/m ³	>600							
Water content	Mass%	<10							
Ash content	Mass%	<1							
Lenght	Inch	11/4 - 11/2							
	mm	3,15 - 40							
Diameter	Inch	1/4 - 5/16							
	mm	6,00 - 8,00							
Fine material	Mass%	<0.5							
	Mass%	<1%							
Ash melting point	°F	> 2.200							
	°C	> 1.200							
Contents	USA	untreated wood							
	Europe	stemwood or chemically untreated wood							
Components									
Internal ash pan volume	Gal	5,68			6,81		-		
	lb	25			30		-		
External ash box volume	Gal	4,54					5,675		
	lb	20					25		
Main Drive	W	40							
Drive Motor	W	250/370							
Suction Turbine	W	1200							
Combustion Air Blower	W	83							
Suction Fan Blower	W	32							
Electrical Ignition	W	250							

Boiler - Type		PE(S) 12	PE(S) 15	PE(S) 20	PE(S) 25	PE(S) 32	PES 36	PES 48	PES 56
Cleaning Motor	W	40							
Motor External Ash Box	W	40							
Fire protection motor	W	5							

The data are values of the test measurement and can vary from locally measured values









WB Federal Institute of Agricultural Engineering Wieselburg
Address: A-3250 Wieselburg, Rottenhauserstraße 1; Tel.: +43-7416-52175-0

Note:






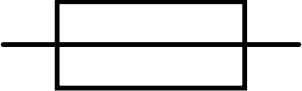
Test reports are available

12.6 Pellet boiler cautionary markings







Labeling 60x30

 <p>BEFORE OPENING TURN OFF THE MAIN SWITCH</p>	<p>TO START THE SYSTEM PRESS THE GREEN ON/OFF BUTTON</p>	<p>THE CONTAINER CAN BE TAKEN DOWN ONLY BY LOOSENING THE YELLOW LOCKING SCREW</p> 
<p> CAUTION</p> <p>DO NOT ALTER THIS EQUIPMENT IN ANY WAY LOSS OF WARRANTY</p>	<p> CAUTION</p> <p>POWER SOURCE NOT CONTROLLED BY SUCTION TURBINES MAIN DISCONNECT</p>	<p> CAUTION</p> <p>POWER ORIGINATED FROM A SOURCE OF POWER OTHER THAN THIS MOTOR</p>
<p> CAUTION</p> <p>DO NOT REMOVE THE SNAP RING! LOSS OF WARRANTY</p>	<p> CAUTION</p> <p>FOR USE WITH WOOD PELLET FUEL ONLY LOSS OF WARRANTY</p>	<p> CAUTION</p> <p>VACUUM SUCTION SYSTEMS: REMOVE THE PROTECTIVE CAP FROM THE BALL VALVE</p>

Labeling 99x34

<p> DANGER</p> <p>TO AVOID INJURY FROM MOVING PARTS, SHUT OFF THE MAIN CONTROLLER BEFORE REMOVING THIS COVER</p>	<p>CONTACT LOCAL BUILDING OR FIRE OFFICIALS ABOUT RESTRICTIONS AND INSTALLATION INSPECTION IN YOUR AREA</p>
<p> DANGER</p> <p>KEEP VIEWING AND ASH REMOVAL DOORS TIGHTLY CLOSED DURING OPERATION!</p>	<p> CAUTION</p> <p>DO NOT CONNECT THIS UNIT TO A CHIMNEY FUEL SERVING ANOTHER APPLIANCE. SEE LOCAL RESTRICTIONS!</p>
<p> CAUTION</p> <p>INSTALL AND USE ONLY IN ACCORDANCE WITH INSTALLATION- AND OPERATING INSTRUCTIONS! REFER TO OWNERS MANUAL</p>	<p>FORWARD</p> <p>WATER QUALITY ACC. TO VDI 2035 STANDARD (THE MEDIUM HAS TO BE FREE FROM AIR AND MUD)</p>
<p> DANGER</p> <p>MOVING PARTS CAUSE INJURY! DO NOT OPERATE WITH REMOVED COVERING!</p>	<p>RETURN</p> <p>WATER QUALITY ACC. TO VDI 2035 STANDARD (THE MEDIUM HAS TO BE FREE FROM AIR AND MUD)</p>
<p>COPPER CONDUCTORS ONLY!</p>	<p>FUSE</p>  <p>T 10A</p>
<p>REFER TO OWNERS MANUAL</p>	

Labeling 105x74

<p>IN THE CASE OF A “RUN-AWAY” FIRE:</p> <ul style="list-style-type: none"> • NEVER PUT YOUR SELF AT RISK OF FATAL INJURY. YOUR SAFETY MUST ALWAYS TAKE HIGHEST PRIORITY! • SWITCH OFF THE HEATING SYSTEM • EXIT THE BUILDING AND CALL YOUR SERVICE CONTRACTOR AND LOCAL FIRE DEPARTMENT 	<div style="background-color: yellow; padding: 5px; text-align: center;">  CAUTION </div> <p style="text-align: center;">HOT SURFACES</p> <ul style="list-style-type: none"> • DO NOT TOUCH DURING OPERATION! • KEEP CHILDREN AWAY • KEEP CLOTHING AND COMBUSTIBLE MATERIALS AWAY FROM MARKED CLEARANCES. • MAXIMUM DRAFT MARKED ON NAMEPLATE
<div style="background-color: yellow; padding: 5px; text-align: center;">  CAUTION </div> <p>IN THE CASE OF A CONNECTING BOILER CONTACT A SERVICE TECHNICIAN FOR COMPLIANCE INFORMATION BEFORE CONNECTING! MAY BE CONNECTED TO AN EXISTING BOILER SYSTEM</p> <p>THE FOLLOWING UNIT IS APPROVED FOR CONNECTING WITH THE AUTOPELLET SYSTEM:</p> <p>MODEL NUMBER CONNECTED UNIT: _____ ITEM NUMBER CONNECTED UNIT: _____</p>	<div style="background-color: orange; padding: 5px; text-align: center;">  WARNING </div> <p style="text-align: center;">RISK OF FIRE!</p> <ul style="list-style-type: none"> • DO NOT OPERATE WHILE FLUE DRAFT EXCEEDS -.11 INCHES WC! • DO NOT OPERATE WITH DOORS OPEN! • DO NOT STORE FUEL OR OTHER COMBUSTIBLE MATERIAL WITHIN MARKED INSTALLATION CLEARANCES! • INSPECT AND CLEAN FLUE AND CHIMNEY REGULARLY! • DO NOT USE CHEMICALS TO START UNIT FIRING • DO NOT BURN GARBAGE, GASOLINE, FUEL OILS OR OTHER FLAMMABLE LIQUIDS OR MATERIALS
<div style="background-color: red; padding: 5px; text-align: center;">  DANGER </div> <p style="text-align: center;">HOT SURFACES AND MOVING PARTS MAY CAUSE INJURY!</p> <p style="text-align: center;">RISK OF FIRE OR EXPLOSION – DO NOT BURN GARBAGE, GASOLINE, FUEL OILS, DRAIN OIL OR OTHER FLAMMABLE LIQUIDS OR MATERIALS</p>	<div style="background-color: yellow; padding: 5px; text-align: center;">  CAUTION </div> <p>UNSAFE TO ADJUST FLUE DRAFT HIGHER THAN .11 INCHES WATER COLUMN</p> <ul style="list-style-type: none"> • MIN DRAFT @ LOW FIRE -.02 INCHES WC • MIN DRAFT @ HIGH FIRE -.04 INCHES WC • MAX DRAFT -.11 INCHES WC
<div style="background-color: yellow; padding: 5px; text-align: center;">  CAUTION </div> <p>THE HEAT EXCHANGER, FLUE PIPE AND CHIMNEY MUST BE CLEANED REGURARLY TO REMOVE ACCUMULATED CREOSOTE AND ASH, ENSURE THAT THE HEAT EXCHANGER, FLUE PIPE, AND CHIMNEY ARE CLEANED AT THE END OF THE HEATING SEASON TO MINIMIZE CORROSION DURING THE SUMMER MONTHS, THE APPLIANCE FLUE PIPE AND CHIMNEY MUST BE IN GOOD CONDITION. THESE INSTRUCTIONS ALSO APPLY TO A DRAFT INDUCER IF USED.</p>	<p style="text-align: center;">LOSS OF ELECTRICAL POWER</p> <p style="text-align: center;">NO DANGER PELLET BOILER COOLS DOWN AUTOMATICALLY</p> <hr/> <p style="text-align: center;">INSPECT AND CLEAN EXHAUST VENTING SYSTEM FREQUENTLY</p>

12.6.1 Data for 56KW model, including emissions



Report No. 0444PB004S

MESys
 Maine Energy Systems, LLC
 8 Airport Road, Bethel, Maine 04217
 Voice: 207.824.6749 Fax: 207.824.4816

Type: Pellematic56	
S/N: XUT01553	CATALOG No.: PES56
Date of manuf.: 09/2020	Rated heat power: 191,000 BTU/hr
Tested to: UL 2523-2013. CSA B366.1-2011 EN303-5	
Manufactured By: MESys LLC, Bethel, Maine	FUEL: WOOD PELLETS
U.S. ENVIRONMENTAL PROTECTION AGENCY: Certified to comply with the 2020 particulate emissions standard using wood pellets.	
This appliance needs periodic inspection and repair for proper operation. Consult owner's manual for further information. It is against federal regulations to operate this appliance in a manner inconsistent with operating instructions in the owners manual.	
Particulate emissions, 0.06lb./million btu - 0.952grams/hr. CO emissions, 0.052grams/minute. Annual efficiency (HHV) 81.9%	
Water Capacity: 30.6 Gallons	Operating Temp: 194 °F
Operating Pressure: 3 BAR / 43.5 PSI / 1204 inches WC	
Chimney Approved factory built stainless steel or tile-lined masonry	
max DRAFT: 0.11 inches WC min DRAFT: 0.04 inches WC	
Diameter: 7 INCH	
Electrical Rating: 220 V, 60 Hz, 14 Amp, 1760 Watts	
FLOORING: Combustible floors can be used with a non-combustible shield. Minimum clearances are 18in/457mm in the front and 8in/203mm on each side.	
PARTS	Fan, Flue Gas: E1249A Controller Display/Screen: E1330
Motor Flame Return Protection: E1413A	Motor Ash Box: E1302
Motor Cleaning Device: E1054	Motor Hopper: E1197
Motor Burner Plate Cleaning: E1204	Suction Turbine: E1205
Motor Burner Screw: E1306	Low Water Cut Off: Safgard 550SV
Controller Board: E1412	Pressure-Relief Valve: Watts Co335M1
Fan Burner: E1005S	Motor Auger Screw: FKAEM 150 /FKAE-S

Author & Manufacturer

MAINE ENERGY SYSTEMS LLC
8 Airport Road – P.O. Box 547 Bethel
Maine 04217

E-Mail: info@maineenergysystems.com
www.maineenergysystems.com

© MAINE ENERGY SYSTEMS LLC
Subject to modifications

Verification

Transaction 09222115557515798407

Document

9P07425-1B revised 3_Pellematic 56_Maine Energy
Systems_non CBI report_240422
Main document
108 pages
*Initiated on 2024-04-22 13:24:46 CEST (+0200) by Henrik
Persson (HP)*
Finalised on 2024-04-22 15:04:18 CEST (+0200)

Signatories

Henrik Persson (HP)
RISE Research Institutes of Sweden AB
Company reg. no. 556464-6874
henrik.persson@ri.se
+46 10 516 55 21



Signed 2024-04-22 15:04:18 CEST (+0200)

Mathias Johansson (MJ)
mathias.johansson@ri.se



Signed 2024-04-22 14:21:40 CEST (+0200)

This verification was issued by Scrive. Information in italics has been safely verified by Scrive. For more information/evidence about this document see the concealed attachments. Use a PDF-reader such as Adobe Reader that can show concealed attachments to view the attachments. Please observe that if the document is printed, the integrity of such printed copy cannot be verified as per the below and that a basic print-out lacks the contents of the concealed attachments. The digital signature (electronic seal) ensures that the integrity of this document, including the concealed attachments, can be proven mathematically and independently of Scrive. For your convenience Scrive also provides a service that enables you to automatically verify the document's integrity at: <https://scrive.com/verify>

